



2020 – 2021

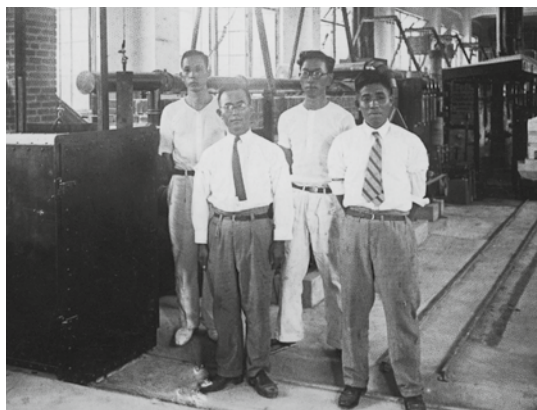


IGNITION
PARTS



VEHICLE
ELECTRONICS

IGNITION & SENSOR SPECIALIST



Founded in 1936, the NGK SPARK PLUG Corporate Group, known around the globe as a leading manufacturer of spark plugs, has always developed ceramics as its core competence. Over the years, the company has established a track record of successfully applying the expertise gained in the field of ceramics to other areas to create new value.

Today, NGK SPARK PLUG is a leading manufacturer of ignition parts and vehicle electronics both for OEMs (Original Equipment Manufacturers) and the IAM (Independent Aftermarket) with over 80 years of experience. A total of 41 subsidiaries, 29 production plants, 4 Technical Centers and 16,000 employees around the world ensure optimum processes and a great wealth of knowledge.

The world leader in spark plugs and oxygen sensors, NGK SPARK PLUG has built a strong reputation for quality, reliability and a commitment to excellence. Now as then, the ignition and sensor specialist is dedicated to providing customers with world-class products and services.

In order to react more quickly to the global and regional changes of the market and the NGK SPARK PLUG environment, the company has switched from a central to a regional company management model. As a result, NGK SPARK PLUG EUROPE GmbH, based in Ratingen, Germany, became the EMEA Regional Headquarter in 2017 and has extended its responsibility from only Europe to include Middle East and Africa. Today, the EMEA markets are key to NGK SPARK PLUG's success, making up 25 percent of NGK SPARK PLUG's total global sales.



1979

Foundation of
NGK SPARK PLUG
Deutschland GmbH



Launch of the
sensor brand NTK

1982



1989

NGK SPARK PLUG
Deutschland
becomes NGK SPARK
PLUG EUROPE

Production plant in
Orléans (FR) and Technical
Center in Ratingen (DE)
start operation



Launch of V-Line,
the most successful
spark plug assortment

1991

1997



First lambda sensor for
the Aftermarket available



Launch of NGK ignition
coils for the Aftermarket

2012

2014



Introduction of NTK
exhaust gas temperature
sensors



Acquisition of Wells,
a leading producer of
ignition coils and
sensors in the U.S.

2015

2016



Launch of NTK MAP/MAF
sensors for the Aftermarket

NGK SPARK PLUG EUROPE
takes over responsibility for
the EMEA region

Opening of the new Regional
Distribution Center in
Duisburg, Germany

2017

2018



Launch of NTK engine
speed & position sensors
for the Aftermarket

MANUFACTURERS

SPARK PLUGS MOTORCYCLE / SCOOTER

A		CASAL	91	HUSQVARNA	126
A.J.S.	70	CCF	91	HYMOTO	129
ADIVA	70	CCM	92	HYOSUNG	129
ADLY	70	CF MOTO	92	I	
AJP	70	CLIPIC	93	INDIAN	131
ALFER	70	CPI	93	ITALJET	131
AMERICAN IRON HORSE	71	CR & S	94	ITTECO	132
AMERICAN PERFORMANCE CYCLE	71	CRAZY-VEHICLE	94	IZH	132
APOLLO	71	D		J	
APRILIA	72	DAELIM	94	JAWA	133
ATALA	76	DAFIER	95	JIALING	133
ATK	76	DERBI	95	JIANSHE	133
AT MOTO	77	DNEPR	98	JINCHENG	133
B		DUCATI	98	JINLUN	134
BAJAJ	77	E		JMSTAR	134
BAOTIAN	77	EBR	103	JONWAY	134
BAROSSA MOTOR	77	ENDRESS	103	JOTAGAS	134
BASHAN	77	EPPELLA	104	K	
BEELINE	77	ERING	104	KAWASAKI	134
BELGARDA	78	EXPLORER	104	KEEWAY	139
BENELLI	78	F		KENOS	140
BENZHOUE	80	FANTIC	104	KINETIC	141
BETA	80	FITE	105	KREIDLER	141
BIG DOG	83	G		KSR MOTO	141
BIMOTA	83	G+G	105	KTM	141
BLACK DOUGLAS MC	84	GARELLI	105	KUANG YANG	150
BLATA	84	GAS GAS	106	KYMCO	151
BMW	84	GENERIC	108	K-ZWO	154
BOOM TRIKE	88	GILERA	110	L	
BOSS	88	H		LAMBRETTA	154
BRUDELI	88	HARLEY-DAVIDSON MC	112	LAVARDA	154
BSA	88	HERALD MOTOR COMPANY	115	LECSON	154
BSM	88	HERCULES	115	LEM	154
BS VILLA	88	HERO	115	LEXMOTO	155
BUELL	88	HIGHLAND	115	LIFAN	156
BUFFALO	89	HMRacing	116	LINGBEN	157
BULTACO	89	HMZ	116	LML-VESPA	157
C		HONDA	116	LONGJIA	157
CAGIVA	89	HOREX	124	M	
CAN-AM	91	HRD	124	MACAL	157
CANNONDALE	91	HUONIAO	124	MAGELLI	157
CARREFOUR	91	HUSABERG	124	MAGNI	157
				MAICO	157



MALAGUTI	157	PULSE	186	T	
MANET KORADO	159	Q		T.G.M. Bimota	208
MARS	159	QUADRO	187	TAMORETTI	208
MASH	159	R		TGB	208
MBK	160	REGAL RAPTOR MC	187	TITAN	208
METEORIT	163	REGENT	187	TM RACING	209
MIDWEST	163	RENAULT	187	TNG	209
MINARELLI	163	REX	187	TOKAIDO	209
MINSK	164	RFR	187	TOMOS	209
MONDIAL	164	RIDERS	187	TORPADO	210
MONTESA	165	RIEJU	188	TRIUMPH	210
MOPEX	165	RIERA	189	TROTILEX	211
MOTO GUZZI MC	165	RIVERO	189	U	
MOTO MORINI	167	ROVIGO	189	URAL	211
MOTO HISPANA	167	ROYAL	189	URAL AMERICA	212
MOTOR ROMA	168	ROYAL ENFIELD	189	V	
MOTOR TEK	169	RTX	190	VALENTI	212
MOTO-SPEZIAL	169	S		VELOCIFERO	212
MOTOTECHNIKA	169	S.I.S.	190	VERTEMATI	212
MOTRON	169	SACHS	190	VICTORY	212
MS	169	SANYANG	192	VILLA BS	213
MSA	169	SASY	193	VIVA	213
MV AGUSTA	169	SCORPA	193	VOR	213
MZ	170	SHE LUNG	193	W	
MZ KANUNI	171	SHERCO	193	WINKING	214
N		SIAM	195	WK (WHITE KNUCKLE)	214
NIPPONIA	171	SIAMOTO	195	WP	214
NORTON	171	SIMSON	195	WUYANG	214
O		SINNIS	195	X	
OSSA	171	SKYTEAM	196	XISPA	214
OTTA	171	SMC	196	Y	
P		SPIGAOU	196	YAMAHA	214
PEGASUS	171	STAR QUAD	196	YAMASAKI	229
PEUGEOT	172	STEFFEN	196	YIYING	229
PGO	177	SUNDIRO	197	Z	
PIAGGIO	178	SUPERBYKE	197	ZHONGNENG	229
PIONEER	186	SUZUKI	197	ZID	229
POLINI	186	SV	205	ZNEN	229
PRAGA	186	SWM	205	ZONGSHEN	229
PUCH	186	SYM	205		

SPARK PLUGS QUAD/ATV

A		F		P	
ACCESS	232	FOX	243	PANDA	251
ADLY	232	G		PGO	251
AEON	232	G+G	244	POLARIS	251
APACHE	232	GAS GAS	244	PUZEY	254
APRILIA	232	GILERA	244	Q	
ARCTIC CAT	233	H		QUADZILLA	254
ARGO	239	HERKULES	244	QUANTUM	255
ATK	239	HONDA	244	S	
AXR	239	HUSQVARNA	245	SACHS	255
B		HYMOTO	246	SKYTEAM	255
BAROSSA MOTOR	240	HYOSUNG	246	SMC	255
BLANEY	240	HYTRACK	246	STORM	255
BLAST	240	J		SUZUKI	255
BOROSSI	240	JOHN DEERE	246	SYM	257
BOSS	240	K		T	
C		KARCHER	246	TGB	257
CAN-AM	240	KAWASAKI	246	TRAILBLAZER	257
CANNONDALE	241	KAZUMA	248	TRAILSPORT	257
CARTER	241	KEEWAY	249	TRITON	257
CECTEK	242	KOLPIN	249	U	
COBRA -Quad	242	KREIDLER	249	UNILLI	257
CPI	242	KTM	249	UNISOM	257
CUB CADET	242	KYMCO	249	UNITED MOTORS	257
D		L		V	
DAREN	242	LEM	249	VENTO	257
DAZON	242	LINHAI	249	VINSON	257
DINLI	242	M		X	
DRR	243	MANCO	250	XING FU	257
E		MASAI	250	YAMAHA	258
E.ATV	243	MASSEY-FERGUSON	250	Y	
EPPELLA	243	MOTO ROMA	250	YERF-DOG	261
ERING	243	MOTOR TEK	250	Z	
ETON	243	MSA	250	ZONGSHEN	261
EXPLORER	243	MZ	251		



SPARK PLUGS SSV

A		CUSHMAN	266	M	
AEON	264	E		MASSEY-FERGUSON	267
APACHE	264	EPPELLA	266	MOTO ROMA	268
ARCTIC CAT	264	EZGO	266	P	
B		H		POLARIS	268
BOROSSI	265	HONDA	266	Y	
BRISTER	265	J		YAMAHA	272
BUSH HOG	266	JOHN DEERE	267		
C		K			
CAN-AM	266	KAWASAKI	267		
CUB CADET	266	KYMCO	267		

SPARK PLUGS SNOWMOBILE

A		J		RUPP	333
AKTIV	276	JOHN DEERE	301	S	
ARCTCO	276	K		SACHS	333
ARCTIC CAT	279	KAWASAKI	302	SCORPION	334
B		KIORITZ	302	SKI-DOO / BOMBARDIER	334
BLADE	292	KOHLER	302	SKIROULE	343
BOLENS	293	M		SNO JET	343
BOMBARDIER	293	MONARK CRESCENT	303	SUZUKI	343
BURAN	298	N		T	
C		NPO SATURN	303	THREE R INDUSTRIES	344
CANADIAN CURTIS WRIGHT	298	O		TRAIL MANTA	344
CCW ENGINES	299	OCKELBO	303	X	
CHAPARRAL	299	OMC	304	XENOAH	344
H		P		Y	
HIRTH	300	POLARIS	304	YAMAHA	344
I		R			
IKAR	300	REDLINE	333		
ILO	300	ROLL-O-FLEX	333		

CAPS MOTORCYCLE / SCOOTER

A		HONDA	376	MONTESA	385
APRILIA	375	HUSABERG	378	P	
B		HUSQVARNA	378	PEUGEOT	385
BETA	375	I		PGO	385
C		ITALJET	378	PIAGGIO	386
CAGIVA	375	K		S	
D		KAWASAKI	379	SACHS	389
DAELIM	375	KTM	380	SIAM	389
G		KYMCO	384	SUZUKI	389
GAS GAS	375	K-ZWO	384	Y	
GILERA	375	M		YAMAHA	391
H		MAICO	384		
HERCULES	376	MBK	384		

CAPS QUAD/ATV

H		S	
HONDA	396	SUZUKI	396
K		Y	
KAWASAKI	396	YAMAHA	397

CAPS SSV

C	CAN-AM	398
----------	--------	-----

OXYGEN SENSORS MOTORCYCLE

A		HYOSUNG	404	P	
APRILIA	402	K		PEUGEOT	406
B		KAWASAKI	404	R	
BMW	402	KTM	405	ROYAL ENFIELD	406
D		KYMCO	405	S	
DUCATI	403	M		SUZUKI	406
H		MOTO GUZZI MC	405	T	
HONDA	403	MOTO MORINI	406	TRIUMPH	406
HUSQVARNA	404	MV AGUSTA	406		






























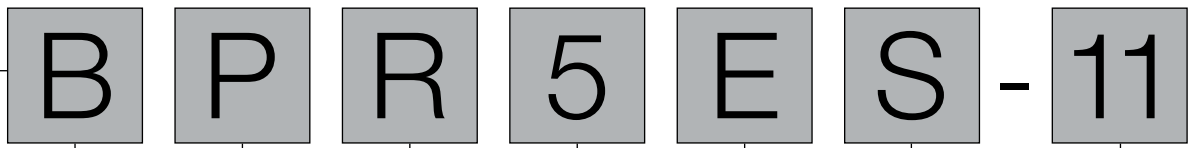
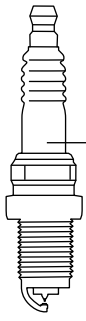
IGNITION
PARTS



VEHICLE
ELECTRONICS

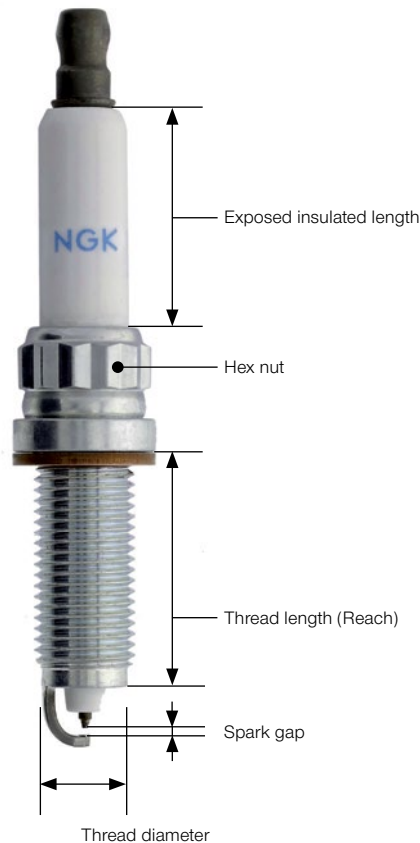
 i	2 - 27
 	28 - 40
 Series	41 - 53
 → <i>IRIDIUM IX</i>	54 - 56
 Racing	57 - 68
  	69 - 230
 	231 - 262
 	263 - 274
 	275 - 346
    	347 - 398
  	399 - 408
 Cross Reference Guide Industry → NGK SPARK PLUG	409 - 440
 Cross Reference Guide Original Equipment → NGK SPARK PLUG	441 - 458
Discontinued Products	459 - 461
Disclaimer	462 - 465

How to read our part number: Spark Plugs

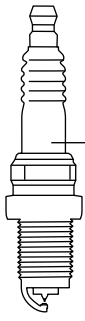


Unit : mm

B		P		R		5		E		S		-11			
Thread size	Hex size	Structure		Resistor		Heat rating		Thread length		Design features		Spark gap			
A	∅ 18.0	Hex 25.4	P	Projected insulator type	R	Resistor	2		E	19.0	B	Integral terminal (CR8EB)		None	Motorcycle : 0.7~0.8 Car : 0.8~0.9
B	∅ 14.0	Hex 20.8			Z	Inductive resistor type	4		EF	17.5		CM	Slant ground electrode Compact type (Exposed insulator length: 18.5)		
BC	∅ 14.0	Hex 16.0	M	Small spark plug	5	EH	19.0 half-thread		CS	Slant ground electrode			-8	0.8	
BK	∅ 14.0	Hex 16.0			U	Surface gap, Semi-surface discharge gap or Supplementary gap	6			H	12.7	G,GV	Racing spark plug		-9
C	∅ 10.0	Hex 16.0	8	I	Iridium central electrode		-10		1.0						
D	∅ 12.0	Hex 18.0	9	IX	Iridium IX spark plug		-11		1.1						
DC	∅ 12.0	Hex 16.0	10	J	2-projecting-ground electrodes		-13		1.3						
E	∅ 8.0	Hex 13.0	<p>*Exception B(P)M-A,Y : ∅ 14.0, Hex 19.0 P(P)-(E)F : ∅ 14.0, Hex 16.0 CM-6 : ∅ 10.0, Hex 14.0</p> <p>BC : Old JIS standard size The length from gasket circuit to terminal contact is 53.0mm.</p> <p>BK : ISO / JIS standard size The length from gasket circuit to terminal contact is 50.5mm.</p>		K	2-ground-electrodes			-15	1.5					
												-S	Special gasket		
												-E	Special resistance		
												IX-P	Iridium MAX plug		
												LPG 1-8	LaserLine spark plug range for gas engine use		
												Q	4-ground-electrodes		
												S	Standard type		
												T	3-ground-electrodes		
												U	Semi-surface discharge gap		
												Y	V-grooved center electrode		
												Z	Special design		



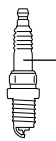
How to read our part number: Spark Plugs



P F R 5 A - 11

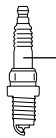
Unit : mm

P		F				R		5		A		-11			
Plug type		Thread diameter	Thread length	Seat configuration	Hex size	Resistor		Heat rating		Design		Spark gap			
DI	High ignitability plug: Double fine electrodes	F	∅ 14.0	19.0	Gasket	Hex 16.0	R	Resistor	2		A,B,C... Suffix code	None	Motorcycle : 0.7-0.8		
		FE	∅ 14.0	19.0	Gasket	Hex 16.0			4				Car : 0.8-0.9		
I	Double iridium spark plug	G	∅ 14.0	19.0	Gasket	Hex 20.8			5				-7	0.7	
L	Long thread reach plug	J	∅ 12.0	19.0	Gasket	Hex 18.0			6				-9	0.9	
P	Double platinum spark plug	K	∅ 12.0	19.0	Gasket	Hex 16.0			7			I	Iridium central electrode	-10	1.0
S	High ignitability plug : thin square tip type	KA	∅ 12.0	19.0	Gasket	Hex 14.0			8					IX	Iridium IX spark plug
Z	Projected firing end	KB	∅ 12.0	19.0	Gasket	Bi-Hex 14.0 (Bi-hexagonal *)			9			P	Platinum central electrode	-13	1.3
		KE	∅ 12.0	19.0	Gasket	Hex 16.0			10		Cold type				
Above alphabets are occasionally used in combination <Example>LFR--, PLZFR--, When „L“ is included, priority is given to „L“ (long reach)* in thread length. <Example> * Gasket type FR5AP : Thread length 19.0mm ↓ LFR5AP-11 : Thread length 26.5mm * Tapered seat type PTR5C-13 : Thread length 17.5mm ↓ PLTR6A-10G : Thread length 25.0mm		KF	∅ 12.0	19.0	Gasket	Hex 14.0						*When there is „I“ or „P“ at the beginning of part number („I“ or „P“ after heat rating becomes suffix code.) <Example> IZFR6P8 is Iridium spark plug I : Iridium P : Suffix code * <Exception> ZFR6P-G is nickel spark plug		-A	Non gasket
		KG	∅ 12.0	19.0	Gasket	Bi-Hex 14.0 (Bi-hexagonal *)								-D	Metal shell : nickel plating
		L	∅ 10.0	12.7	Gasket	Hex 16.0							-E	Special resistance	
		M	∅ 10.0	19.0	Gasket	Hex 16.0							-G	Copper cored ground electrode	
		MA	∅ 10.0	19.0	Gasket	Hex 14.0							-H	Special thread shape	
		MF	∅ 10.0	19.0	Gasket	Hex 14.0							-J	2 ground-electrode	
		NA	∅ 12.0	17.5	Tapered seat	Hex 14.0							-K	Vibration-resistance ground electrode	
		T	∅ 14.0	17.5	Tapered seat	Hex 16.0							-N	Special ground electrode	
		U	∅ 14.0	11.2	Tapered seat	Hex 16.0							-Q	4-ground-electrode	
		W	∅ 18.0	10.9	Tapered seat	Hex 20.8							-S	Special gasket	
		X	∅ 14.0	9.5	Gasket	Hex 20.8							-T	3-ground-electrode	
		Y	∅ 14.0	11.2	Tapered seat	Hex 16.0							-U	Semi-surface discharge type	
		* Exception TR5A-10, TR5A-13, TR5B-13, TR6B-10, TR6B-13, PTR5A-10, PTR5A-13 : Thread length 25.0mm				Bi-hexagonal							IX-P	Iridium MAX plug	
		* Bi-hexagonal socket is necessary.												LPG 1-8	LaserLine spark plugs range for gas engines
		* FE, KE, KF, KG, MF : Longer exposed insulator length type				Hexagonal									



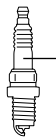
RE 7 C - L

RE		7		C		-L	
Plug type		Heat rating		Design		Spark gap	
RE	Plug for rotary engines	5		A,B,C--Suffix code		-L	Leading side
SD	Plug for rotary engines (Semi-surface discharge gap)	6					
		7					
		8					
		9					
		10					
		11	Cold type			-T	Trading side



HB 6 A IX - 11 P

HB		6		A				IX		-11		P	
Plug type		Heat rating		Thread diameter	Thread length	Seat configuration	Hex size			Spark gap			
HB	HYBD (3-ground-electrode hybrid type)	4		A	∅ 14.0	20.5	Gasket	Hex 16.0	IX	-8	0.8		
		5		B	∅ 14.0	19.0	Gasket	Hex 16.0		-9	0.9		
		6								-10	1.0		
		7								-11	1.1		
		8	Cold type							-13	1.3		

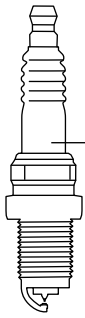


DF 6 H - 11 A

DF		6		H				-11		A	
Plug type		Heat rating		Thread diameter	Thread length	Seat configuration	Hex size	Spark gap			
DF	High ignitability plug (Double fine electrodes)	4		A	∅ 14.0	19.0	Gasket	Hex 16.0	-8	0.8	A,B,C... Suffix code
		5		B	∅ 14.0	26.5	Gasket	Hex 16.0	-9	0.9	
DFH	High ignitability plug (DF + Hybrid type)	6			C	∅ 12.0	26.5	Gasket	Hex 14.0	-10	1.0
		7			* DF6H-11A : Thread length 28.0mm		-11	1.1			
		8						-13	1.3		
		9	Cold type					-15	1.5		



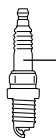
So lesen Sie unsere Teilenummer: Zündkerzen



P F R 5 A - 11

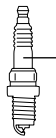
Einheit: mm

P		F				R		5		A		-11			
Zündkerzentyp		Gewinde-durchmesser	Gewinde-länge	Sitz-konstruktion	Sechskant	Entstörwiderstand		Wärmewert		Konstruktion		Elektrodenabstand			
DI	besonders hohe Zündfähigkeit, doppelt ausgeführte, feine Elektroden	F	∅ 14,0	19,0	Dichtring	Hex 16,0	R	Widerstand	2	warme Type	A,B,C... Suffix code		leer	Motorrad : 0,7-0,8 Auto : 0,8-0,9	
		FE	∅ 14,0	19,0	Dichtring	Hex 16,0					4				
I	Zündkerze, Doppeliridium	G	∅ 14,0	19,0	Dichtring	Hex 20,8					5				
L	besonders langes Gewinde	J	∅ 12,0	19,0	Dichtring	Hex 18,0					6				
P	Zündkerze, Doppelplatin	K	∅ 12,0	19,0	Dichtring	Hex 16,0					7				
S	Zündkerze mit hoher Zündwilligkeit: dünn, mit quadratischer Spitze	KA	∅ 12,0	19,0	Dichtring	Hex 14,0					8				
		KB	∅ 12,0	19,0	Dichtring	Bi-Hex 14,0 (Doppelsechskant *)					9				
Z	Vorgezogene Funkenlage	KE	∅ 12,0	19,0	Dichtring	Hex 16,0					10	kalte Type			
Oben angeführte Kennzeichen können kombiniert auftreten <Beispiel>ILFR..., PLZFR... Ist „L“ in der Markierung enthalten, erhält „L“ (lange Gewindelänge). Priorität bei der Gewindelänge. <Beispiel> * Kerze mit Dichtring FR5AP : Gewindelänge 19,0mm ↓ LFR5AP-11 : Gewindelänge 26,5mm * Kerze mit Kegeldichsitz PTR5C-13 : Gewindelänge 17,5mm ↓ PLTR6A-10G : Gewindelänge 25,0mm		KF	∅ 12,0	19,0	Dichtring	Hex 14,0									
		KG	∅ 12,0	19,0	Dichtring	Bi-Hex 14,0 (Doppelsechskant *)									
		L	∅ 10,0	12,7	Dichtring	Hex 16,0									
		M	∅ 10,0	19,0	Dichtring	Hex 16,0									
		MA	∅ 10,0	19,0	Dichtring	Hex 14,0									
		MF	∅ 10,0	19,0	Dichtring	Hex 14,0									
		NA	∅ 12,0	17,5	Kegeldichsitz	Hex 14,0									
		T	∅ 14,0	17,5	Kegeldichsitz	Hex 16,0									
		U	∅ 14,0	11,2	Kegeldichsitz	Hex 16,0									
		W	∅ 18,0	10,9	Kegeldichsitz	Hex 20,8									
		X	∅ 14,0	9,5	Dichtring	Hex 20,8									
		Y	∅ 14,0	11,2	Kegeldichsitz	Hex 16,0									
		* Ausnahme TR5A-10, TR5A-13, TR5B-13, TR6B-10, TR6B-13, PTR5A-10, PTR5A-13: Gewindelänge 25,0 mm				Doppelsechskant									
		* Doppel-Innensechskant erforderlich.				Sechskant									
		* FFE, KE, KF, KG, MF: Bauart mit längerem freiliegenden Isolator													
										* Wenn am Anfang der Teilenummer „I“ oder „P“ steht („I“ oder „P“ nach dem Temperaturwert wird zum nachgestellten Zusatzcode.) <Beispiel> IZFR6P8 bedeutet Iridium-Zündkerze I: Iridium P: Zusatzcode * <Ausnahme> ZFROP-G bedeutet Nickel-Zündkerze					
										I		Mittelelektrode, Iridium	-7	0,7	
										IX		Iridium-Zündkerze	-9	0,9	
										P		Mittelelektrode, Platin	-10	1,0	
													-11	1,1	
													-13	1,3	
													-15	1,5	
													-A	kein Dichtring	
													-D	Metallhülse: Nickel-beschichtet	
													-E	spezieller Widerstand	
													-G	Masseelektrode mit Kupferkern	
													-H	spezielles Gewinde	
													-J	2 Massen-Elektroden	
													-K	schwingungsfeste Masseelektrode	
													-N	spezielle Massen-Elektrode	
													-Q	4 Massen-Elektrode	
													-S	spezieller Dichtring	
													-T	3 Massen-Elektrode	
													-U	Halbleitfunkentyp	
													IX-P	Iridium MAX Kerze	
													LPG 1-8	LaserLine-Zündkerzenserie für gasbetriebene Motoren	



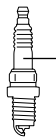
RE 7 C - L

RE		7		C		-L	
Zündkerzentyp		Wärmewert		Konstruktion		Elektrodenabstand	
RE	Zündkerze für Wankelmotor	5	warme Type	A,B,C... Suffix code		-L	oberer Totpunkt
SD	Zündkerze für Wankelmotor (Halbleitfunkentyp)	6					
		7					
		8					
		9					
		10					
		11	kalte Type			-T	unterer Totpunkt



HB 6 A IX - 11 P

HB		6		A		IX		-11		P	
Zündkerzentyp		Wärmewert		Gewinde-durchmesser	Gewinde-länge	Sitzkonstruktion	Sechskant	Elektrodenabstand			
HB	HYBD (3 Masseelektroden, Hybridbauart)	4	warme Type	A	∅ 14,0	20,5	Dichtring	Hex 16,0	IX	-8	0,8
		5		B	∅ 14,0	19,0	Dichtring	Hex 16,0		-9	0,9
		6								-10	1,0
		7								-11	1,1
		8	kalte Type							-13	1,3

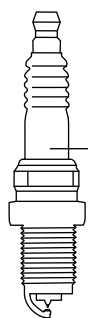


DF 6 H - 11 A

DF		6		H		-11		A		
Zündkerzentyp		Wärmewert		Gewinde-durchmesser	Gewinde-länge	Sitzkonstruktion	Sechskant	Elektrodenabstand		
DF	Zündkerze mit hoher Zündwilligkeit (Doppellektrode, dünn)	4	warme Type	A	∅ 14,0	19,0	Dichtring	Hex 16,0	-8	0,8
		5		B	∅ 14,0	26,5	Dichtring	Hex 16,0	-9	0,9
DFH	Zündkerze mit hoher Zündwilligkeit (DF + Hybrid)	6		C	∅ 12,0	26,5	Dichtring	Hex 14,0	-10	1,0
		7		* DF6H-11A : Gewindelänge 28,0mm					-11	1,1
		8							-13	1,3
		9	kalte Type						-15	1,5



Comment lire notre numéro de pièce: Bougies



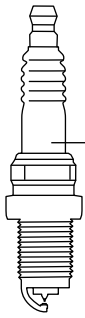
B P R 5 E S - 11

Unité : mm

B		P		R		5		E		S		-11		
Diamètre de filetage	Hexagone	Structure		Résistance antiparasitage		Indice thermique		Longueur du filetage		Caractéristiques de conception		Ecartement		
A	∅ 18,0	Hex 25,4	P	Isolant proéminent	R	Résistance	2	Type chaud	E	19,0	B	Olive SAE monbloque (CR8EB)	vide	Moto : 0,7-0,8
B	∅ 14,0	Hex 20,8			Z	Inductance intégrée			4					
BC	∅ 14,0	Hex 16,0	M	Bougie compacte	5	EH	19,0 semi-filetage Culot 19 mm Filetage 12,7	CS	Électrode de masse inclinée		-8	0,8		
BK	∅ 14,0	Hex 16,0	U	Décharge superficielle ou à étincelle semi-surfacique	6								H	12,7
C	∅ 10,0	Hex 16,0			7	8	L	11,2	I		Électrode centrale en iridium	-10		
D	∅ 12,0	Hex 18,0	9	10	vide								Siège conique A(P)-F : 10,9 B(P)-F : 11,2 BM(P)-F : 7,8	IX
DC	∅ 12,0	Hex 16,0	N			Électrode de masse spéciale	-S	Joint spécifique	J		2 électrodes de masse à projection	-13		
E	∅ 8,0	Hex 13,0		P	Électrode de masse simple : Double platine								-E	Résistance spéciale
*Exception B(P)M-A,Y : ∅ 14,0, Hex 19,0 P(P)-(E)F : ∅ 14,0, Hex 16,0 CM-6 : ∅ 10,0, Hex 14,0		BC : Ancienne taille standard JIS La longueur entre le circuit du joint et le contact de la borne est de 53 mm.	LPG 1-8			Gamme de bougies d'allumage LaserLine pour utilisation sur moteur à gaz								
BK : Taille standard ISO/JIS La longueur entre le circuit du joint et le contact de la borne est de 50,5 mm.				Q	4 électrodes de masse		S	Électrode centrale en cuivre	T		3 électrodes de masse	U	à décharge semi-surfacique	Y
		Z	Conception spéciale											



Comment lire notre numéro de pièce: Bougies



P F R 5 A - 11

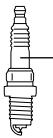
Unité : mm

P		F				R		5		A		-11			
Type		Diamètre de filetage	Longueur du filetage	Configuration du siège	Hexagone	Résistance antiparasitage		Indice thermique		Conception		Distance entre les électrodes			
DI	Haute capacité d'allumage : technologie DFE	F	∅ 14,0	19,0	Joint	Hex 16,0	R	Résistance	2		A,B,C... code suffixe		leer	Moto : 0,7-0,8 Automobile : 0,8-0,9	
		FE	∅ 14,0	19,0	Joint	Hex 16,0			4						
I	Bougie d'allumage double à l'iridium	G	∅ 14,0	19,0	Joint	Hex 20,8			5			I	Électrode centrale en iridium	-7	0,7
L	Filetage extra-long de 26,5mm	J	∅ 12,0	19,0	Joint	Hex 18,0			6						-9
P	Bougie d'allumage double à la platine	K	∅ 12,0	19,0	Joint	Hex 16,0			7					-10	1,0
S	Bougie haute sensibilité à l'allumage : type à pointe carrée fine	KA	∅ 12,0	19,0	Joint	Hex 14,0			8					-11	1,1
Z	Extrémité d'allumage projetée	KB	∅ 12,0	19,0	Siège conique	Bi-Hex 14,0 (Bi-hexagonal *)			9			IX	Gamme Iridium IX	-13	1,3
		KE	∅ 12,0	19,0	Joint	Hex 16,0			10		Type froid	P	Électrode centrale en platine	-15	1,5
Les caractéristiques citées ci-dessus peuvent être combinées, <Exemple>LFR..., PLZFR... Quand « L » est inclus, la priorité est donnée au « L » (longue portée) pour la longueur de filetage. <Exemple> *Bougie avec joint d'étanchéité FR5AP : longueur de filetage 19,0mm ↓ LFR5AP-11 : longueur de filetage 26,5mm *Bougie à siège conique PTR5C-13 : longueur de filetage 17,5mm ↓ PLTR6A-10G : longueur de filetage 25,0mm		KF	∅ 12,0	19,0	Joint	Hex 14,0						* Quand il y a « I » ou « P » au début du numéro de pièce (« I » ou « P » après la valeur thermique devient un code de suffixe.) <Exemple> IZFR6P8 est une bougie à l'iridium I : Iridium P : Code de suffixe * <Exception> ZFR6P-G est une bougie d'allumage au nickel		-A	Sans joint d'étanchéité
		KG	∅ 12,0	19,0	Joint	Bi-Hex 14,0 (Bi-hexagonal *)								-D	Corps métallique : nickelé
		L	∅ 10,0	12,7	Joint	Hex 16,0							-E	Résistance spéciale	
		M	∅ 10,0	19,0	Joint	Hex 16,0							-G	Électrode de masse à cœur en cuivre	
		MA	∅ 10,0	19,0	Joint	Hex 14,0							-H	Filetage spécial	
		MF	∅ 10,0	19,0	Joint	Hex 14,0							-J	2 électrodes de masse	
		NA	∅ 12,0	17,5	Siège conique	Hex 14,0							-K	Électrode de masse résistante aux vibrations	
		T	∅ 14,0	17,5	Siège conique	Hex 16,0							-N	Électrode de masse spéciale	
		U	∅ 14,0	11,2	Siège conique	Hex 16,0							-Q	4 électrodes de masse	
		W	∅ 18,0	10,9	Siège conique	Hex 20,8							-S	Joint spécifique	
		X	∅ 14,0	9,5	Joint	Hex 20,8							-T	3 électrodes de masse	
		Y	∅ 14,0	11,2	Siège conique	Hex 16,0							-U	Type à décharge sur demi-surface	
		* Exception TR5A-10, TR5A-13, TR5B-13, TR6B-10, TR6B-13, PTR5A-10, PTR5A-13 : Longueur de filetage 25 mm				Bi-hexagonal								IX-P	Bougie Iridium MAX
		* Une douille bi-hexagonale est nécessaire.				Hexagonal								LPG 1-8	Gamme de bougies d'allumage LaserLine pour moteurs à gaz
		* FE, KE, KF, KG, MF : Type à longueur d'isolant exposé plus longue													



RE 7 C - L

RE		7		C		-L	
Type		Indice thermique		Conception		Distance entre les électrodes	
RE	Bougie pour moteurs rotatifs	5		A,B,C... code suffixe		-L	Face avant
SD	Bougie pour moteurs rotatifs (écartement des électrodes à décharge sur demi-surface)	6				-T	Face arrière
		7					
		8					
		9					
		10					
		11	Type froid				



HB 6 A IX - 11 P

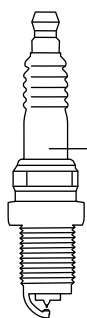
HB		6		A		IX		-11		P	
Type		Indice thermique		Diamètre de filetage	Longueur du filetage	Configuration du siège	Hexagone	Distance entre les électrodes			
HB	HYBD (type hybride à 3 électrodes de masse)	4		A	∅ 14,0	20,5	Joint	Hex 16,0	IX	-8	0,8
		5		B	∅ 14,0	19,0	Joint	Hex 16,0		-9	0,9
		6								-10	1,0
		7								-11	1,1
		8	Type froid						-13	1,3	



DF 6 H A - 11 A

DF		6		H		-11		A		
Type		Indice thermique		Diamètre de filetage	Longueur du filetage	Configuration du siège	Hexagone	Distance entre les électrodes		
DF	Bougie haute sensibilité à l'allumage	4		A	∅ 14,0	19,0	Joint	Hex 16,0	-8	0,8
DFH	Bougie haute sensibilité à l'allumage (DF + type hybride)	5		B	∅ 14,0	26,5	Joint	Hex 16,0	-9	0,9
		6		C	∅ 12,0	26,5	Joint	Hex 14,0	-10	1,0
		7		* DF6H-11A : Longueur du filetage 28,0 mm					-11	1,1
		8							-13	1,3
		9	Type froid					-15	1,5	

Come leggere il nostro numero del pezzo: Candele di accensione



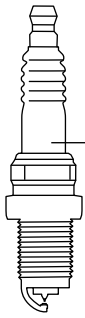
B P R 5 E S - 11

Unità: mm

B		P		R		5		E		S		-11					
Diametro filettatura	esagono	Struttura		Resistore		Grado termico		Lunghezza filettatura		Caratteristiche costruttive		Gap					
A	∅ 18,0 Hex 25,4	P	punta isolatore prominente	R	Candela resistiva	2	candela calda candela fredda	E	19,0	B	terminale SAE fisso (CR8EB)	leer	Motociclo : 0,7-0,8 Auto : 0,8-0,9				
B	∅ 14,0 Hex 20,8			Z	resistenza induttiva	4		EF	17,5					CM	Elettrodo inclinato di messa a terra Tipo compatto (lunghezza isolante visibile: 18,5)		
BC	∅ 14,0 Hex 16,0	M	Candela compatta del tipo Bantam		5	EH		19,0 parzialmente filettata	CS	Elettrodo inclinato di messa a terra	-8	0,8					
BK	∅ 14,0 Hex 16,0				6	H		12,7	G,GV	Candela Racing	-9	0,9					
C	∅ 10,0 Hex 16,0	U	Candela a scarica superficiale o semisuperficiale		7	L		11,2	I	Elettrodo centrale in iridio	-10	1,0					
D	∅ 12,0 Hex 18,0				8	vuoto		Sede conica A(P)F : 10,9 B(P)F : 11,2 BM(P)F : 7,8	IX	Candela Iridium IX	-11	1,1					
DC	∅ 12,0 Hex 16,0				9	Candela del tipo piccolo B(P)M- : 9,5 B-LM : 9,5 CM- : 9,5 CM-6 : 8,6 C-50 : 8,5		J	2 elettrodi di messa a terra prominenti	-13	1,3						
E	∅ 8,0 Hex 13,0				10			K	2 elettrodi di messa a terra	-15	1,5						
* Eccezione B(P)M-A,Y : ∅ 14,0, Hex 19,0 P(P)-(E)F : ∅ 14,0, Hex 16,0 CM-6 : ∅ 10,0, Hex 14,0												-LM	Tipi compatti (lunghezza isolatore: 14,5)				
BC : Misura standard JIS precedente La lunghezza dalla guarnizione del circuito al terminale è di 53 mm.												N	elettrodo di massa irrobustito	-S	guarnizione anulare speciale		
BK : Misura standard ISO / JIS La lunghezza dalla guarnizione del circuito al terminale è di 50,5 mm.											P	elettrodo al platino Elettrodo di messa a terra singolo: Platino doppio Elettrodo con messa a terra multipla: Elettrodo centrale singolo in platino	-E	Resistenza speciale	IX-P	Candela all'iridio MAX	
											Q	4 elettrodi di messa a terra	LPG 1-8	Gamma di candele LaserLine per motori a gas			
								S	Tipo standard								
								T	3 elettrodi di messa a terra								
								U	Tipo a scarica semi-superficiale								
								Y	Elettrodo centrale scanalato a V - V grooved -								
								Z	struttura speciale								



Come leggere il nostro numero del pezzo: Candele di accensione



P F R 5 A - 11

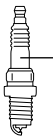
Unità: mm

P		F				R		5		A		-11		
Tipo candela		Diametro filettatura	Lunghezza filettatura	Configurazione della sede	esagono	Resistore		Grado termico		Costruzione		Gap		
DI	candela ad elevatissima accendibilità tipo DFE (Double Fine electrodes)	F Ø 14,0	19,0	Guarnizione anulare	Hex 16,0	R	Resistenza	2		A,B,C... Suffix code		vuoto	Motociclo: 0,7-0,8 Auto: 0,8-0,9	
		FE Ø 14,0	19,0	Guarnizione anulare	Hex 16,0			4						
I	Candele al doppio iridio	G Ø 14,0	19,0	Guarnizione anulare	Hex 20,8			5					-7	0,7
L	candela a filettatura estesa	J Ø 12,0	19,0	Guarnizione anulare	Hex 18,0			6					-9	0,9
P	Candele al doppio platino	K Ø 12,0	19,0	Guarnizione anulare	Hex 16,0			7			I	Elettrodo centrale in iridio	-10	1,0
S	Alta accendibilità della candela: punta del tipo sottile quadrangolare	KA Ø 12,0	19,0	Guarnizione anulare	Hex 14,0			8			IX	Candela Iridium IX	-11	1,1
		KB Ø 12,0	19,0	Guarnizione anulare	Bi-Hex 14,0 (Bi-esagonale *)			9			P	Elettrodo centrale in platino	-13	1,3
		KE Ø 12,0	19,0	Guarnizione anulare	Hex 16,0			10		candela fredda			-15	1,5
Z	Elettrodo prominente	KF Ø 12,0	19,0	Guarnizione anulare	Hex 14,0								-A	senza guarnizione anulare
		KG Ø 12,0	19,0	Guarnizione anulare	Hex 14,0								-D	Supporto in metallo: nichelatura
I codici sopraindicati possono presentarsi in varie combinazioni, <Esempio>ILFR..., PLZFR..., Quando è inclusa una „L“, la priorità viene data alla „L“ (braccio lungo) per la lunghezza della filettatura.		L	Ø 10,0	12,7	Guarnizione anulare	Hex 16,0						-E	resistenza speciale	
<Esempio> *Candela con guarnizione anulare		MA	Ø 10,0	19,0	Guarnizione anulare	Hex 16,0						-G	Elettrodo di terra con nucleo in rame	
FR5AP : lunghezza filettatura 19,0mm		MF	Ø 10,0	19,0	Guarnizione anulare	Hex 14,0						-H	Filettatura speciale	
LFR5AP-11 : lunghezza filettatura 26,5mm		NA	Ø 12,0	17,5	Sede conica	Hex 14,0						-J	2 elettrodi di massa	
*Candela consede conica		T	Ø 14,0	17,5	Sede conica	Hex 16,0						-K	Elettrodo di terra resistente alle vibrazioni	
PTR5C-13 : lunghezza filettatura 17,5mm		U	Ø 14,0	11,2	Sede conica	Hex 16,0						-N	Elettrodo di massa speciale	
PLTR6A-10G : lunghezza filettatura 25,0mm		W	Ø 18,0	10,9	Sede conica	Hex 20,8						-Q	4 elettrodi di massa	
		X	Ø 14,0	9,5	Guarnizione anulare	Hex 20,8						-S	Guarnizione anulare speciale	
		Y	Ø 14,0	11,2	Sede conica	Hex 16,0						-T	3 elettrodi di massa	
					Bi-esagonale							-U	Tipo a scarica semi-superficiale	
					Esagonale							IX-P	Candela all'iridio MAX	
												LPG 1-8	Gamma di candele LaserLine per motori a gas	



RE 7 C - L

RE		7		C		-L	
Tipo candela		Grado termico		Costruzione		Gap	
RE	Candela per motori rotativi	5		A,B,C... Suffix code		-L	Leading side
SD	Candela per motori rotativi (distanza tra gli elettrodi a scarica semi-superficiale)	6				-T	Trading side
		7					
		8					
		9					
		11		candela fredda			



HB 6 A IX - 11 P

HB		6		A		IX		-11		P	
Tipo candela		Grado termico		Diametro filettatura	Lunghezza filettatura	Configurazione della sede	esagono	Gap			
HB	HYBD (tipo ibrido con 3 elettrodi di messa a terra)	4		A Ø 14,0	20,5	Guarnizione anulare	Hex 16,0	IX	-8	0,8	
		5		B Ø 14,0	19,0	Guarnizione anulare	Hex 16,0		-9	0,9	
		6							-10	1,0	
		7		candela fredda					-11	1,1	
		8						-13	1,3		

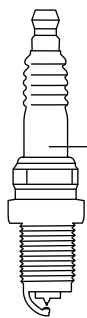


DF 6 H - 11 A

DF		6		H		-11		A		
Tipo candela		Grado termico		Diametro filettatura	Lunghezza filettatura	Configurazione della sede	esagono	Gap		
DF	Candela ad alta accendibilità (elettrodi sottili doppi)	4		A Ø 14,0	19,0	Guarnizione anulare	Hex 16,0	-8	0,8	A,B,C... Suffix code
		5		B Ø 14,0	26,5	Guarnizione anulare	Hex 16,0	-9	0,9	
DFH	Candela ad alta accendibilità (DF + tipo ibrido)	6			C Ø 12,0	26,5	Guarnizione anulare	Hex 14,0	-10	1,0
		7		candela fredda	* DF6H-11A : Lunghezza filettatura 28,0mm			-11	1,1	
		8						-13	1,3	
		9				-15	1,5			



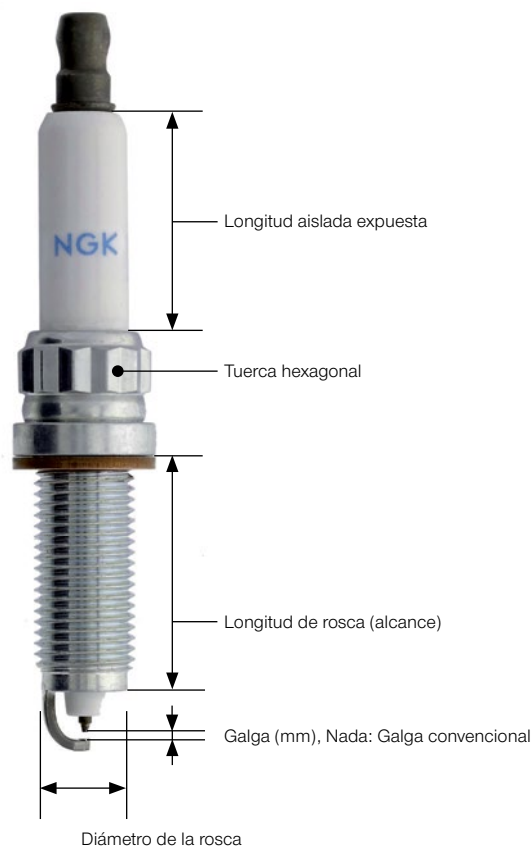
Cómo leer nuestros números de pieza: Bujías



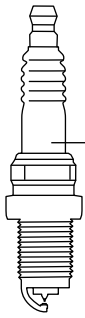
B P R 5 E S - 11

Unidad: mm

B		P		R		5		E		S		-11				
Diámetro de la rosca	Tamaño del Hexágono	Estructura		Construcción / Características		Grado térmico		Longitud de la rosca		Características constructivas		Galga (mm), Nada: Galga convencional				
A	∅ 18,0	Hex 25,4	P	Tipo aislador proyectado	R	Tipo Resistencia	2		E	19,0	B	Tuerca terminal SAE fija (CR8EB)		vacio	Motocicleta: 0,7 - 0,8 mm	
B	∅ 14,0	Hex 20,8					Z		Tipo Resistencia inductiva	4		EF	17,5		CM	Electrodo de masa inclinado Tipo compacto (longitud de aislador expuesto: 18,5)
BC	∅ 14,0	Hex 16,0	M	Tipo Compacto (Bantam)		5	EH		Media rosca, Total: 19,00 mm, Rosca l: 12,7 mm	CS	Electrodo de masa inclinado		-8	0,8		
BK	∅ 14,0	Hex 16,0				U	Tipo descarga superficial o semi-superficial		6		H	12,7	G,GV	Bujía de competición		-9
C	∅ 10,0	Hex 16,0	U	Tipo descarga superficial o semi-superficial		7	L		11,2	I	Electrodo central de iridio		-10	1,0		
D	∅ 12,0	Hex 18,0				8	vacío		Asiento cónico A(P)-F : 10,9 B(P)-F : 11,2 BM(P)-F : 7,8		IX	Electrodo de iridio IX		-11	1,1	
DC	∅ 12,0	Hex 16,0	U	Tipo descarga superficial o semi-superficial		9	vacío		Bujía de tipo pequeño B(P)M- : 9,5 B-LM : 9,5 CM- : 9,5 CM-6 : 8,6 C-50 : 8,5			J	2 electrodos de masa prominentes		-13	1,3
E	∅ 8,0	Hex 13,0				10			K	2 electrodos de masa			-15	1,5		
*Excepción B(P)M-A,Y : ∅ 14,0, Hex 19,0 P(P)-(E)F : ∅ 14,0, Hex 16,0 CM-6 : ∅ 10,0, Hex 14,0											N	Electrodo especial de masa		-S	Junta especial	
BC : Altura JIS estándar antigua La longitud desde el asiento a la parte superior del terminal es de 53,0 mm.												P	Electrodo de platino Un solo electrodo de masa: doble platino Varios electrodos de masa: platino sencillo en el electrodo central		-E	Resistencia especial
BK : Altura estándar ISO/JIS La longitud desde el asiento a la parte superior del terminal es de 50,5 mm.													IX-P	Bujía Iridium MAX		
												LPG 1-8	Gama de bujías Laser_line para motores de gas			
										Q	4 electrodos de masa					
										S	Tipo estándar					
										T	3 electrodos de masa					
										U	Tipo descarga semi superficial					
										Y	Electrodo central con ranurado en V					
										Z	Fabricación especial					



Cómo leer nuestros números de pieza: Bujías



P F R 5 A - 11

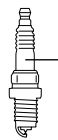
Unidad: mm

P		F				R		5		A		-11				
Tipo de bujía		Diámetro de la rosca	longitud de rosca	Configuración de asiento	Tamaño del Hexágono	Resistencia		Grado térmico		Construcción		Galga (mm), Nada: Galga convencional				
DI	Gran apacidad de inflamación electrodo extra fino	F	∅ 14,0	19,0	Con Junta	Hex 16,0	R	Resistencia	2		A,B,C... Código de sufijo		vacío	Motocicleta: 0,7-0,8 Automóvil: 0,8-0,9		
		FE	∅ 14,0	19,0	Con Junta	Hex 16,0			4							
I	Bujía de doble iridio	G	∅ 14,0	19,0	Con Junta	Hex 20,8			5					-7	0,7	
L	Rosca extralarga	J	∅ 12,0	19,0	Con Junta	Hex 18,0			6					-9	0,9	
P	Bujía de doble platino	K	∅ 12,0	19,0	Con Junta	Hex 16,0			7			I	Electrodo central de iridio	-10	1,0	
S	Bujía de alta inflamabilidad: tipo de punta cuadrada fina	KA	∅ 12,0	19,0	Con Junta	Hex 14,0			8			IX	Electrodo de iridio IX	-11	1,1	
Z	Extremo de encendido protuberante	KB	∅ 12,0	19,0	Con Junta	Bi-Hex 14,0 (Bi-hexagonal *)			9			P	Electrodo central de platino	-13	1,3	
Las características arriba nombrada pueden aparecer combinadas, <Ejemplo>ILFR..., PLZFR... Cuando se incluye „L“, se da prioridad a „L“ (alcance largo) en longitud de rosca. <Ejemplo> * Bujía con junta FR5AP-11; longitud de rosca 19,0 mm ↓ LFR5AP-11; longitud de rosca 26,5mm * Bujía con asiento cónico PTR5C-13; longitud de rosca 17,5 mm ↓ PLTR6A-10G; longitud de rosca 25,0 mm * Excepción TR5A-10, TR5A-13, TR5B-13, TR6B-10, TR6B-13, PTR5A-10, PTR5A-13: Longitud de la rosca 25,0 mm * Se necesita una llave de vaso bihexagonal. * FE, KE, KF, KG, MF: Tipo de longitud de aislador expuesto mayor		KE	∅ 12,0	19,0	Con Junta	Hex 16,0			10					-A	Sin junta	
		KF	∅ 12,0	19,0	Con Junta	Hex 14,0									-D	Carcasa de metal: chapada en níquel
		KG	∅ 12,0	19,0	Con Junta	Bi-Hex 14,0 (Bi-hexagonal *)									-E	Resistencia especial
		L	∅ 10,0	12,7	Con Junta	Hex 16,0								-G	Electrodo de masa con núcleo de cobre	
		M	∅ 10,0	19,0	Con Junta	Hex 16,0								-H	Rosca especial	
		MA	∅ 10,0	19,0	Con Junta	Hex 14,0								-J	2 electrodos de masa	
		MF	∅ 10,0	19,0	Con Junta	Hex 14,0								-K	Electrodo de masa resistente a las vibraciones	
		NA	∅ 12,0	17,5	Asiento cónico	Hex 14,0								-N	Electrodo de masa especial	
		T	∅ 14,0	17,5	Asiento cónico	Hex 16,0								-Q	4 electrodos de masa	
		U	∅ 14,0	11,2	Asiento cónico	Hex 16,0								-S	Junta especial	
W	∅ 18,0	10,9	Asiento cónico	Hex 20,8								-T	3 electrodos de masa			
X	∅ 14,0	9,5	Dichtring	Hex 20,8								-U	Tipo de descarga semi-superficial			
Y	∅ 14,0	11,2	Asiento cónico	Hex 16,0								IX-P	Bujía Iridium MAX			
												LPG 1-8	Gama de bujías LaserLine para motores de gas			



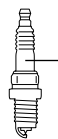
RE 7 C - L

RE		7		C		-L	
Tipo de bujía		Grado térmico		Construcción		Galga (mm), Nada: Galga convencional	
RE	Bujía para motores rotativos	5		A,B,C... Código de sufijo		-L	Lado avanzado
SD	Bujía para motores rotativos (separación entre electrodos de descarga semi-superficial)	6				-T	Lado retrasado
		7					
		8					
		9					
		10					
		11					



HB 6 A IX - 11 P

HB		6		A				IX	-11		P
Tipo de bujía		Grado térmico		Diámetro de la rosca	longitud de rosca	Configuración de asiento	Tamaño del Hexágono		Galga (mm), Nada: Galga convencional		
HB	HYBD (3 electrodos de masa tipo híbrido)	4		A	∅ 14,0	20,5	Con Junta	Hex 16,0	IX	-8	0,8
		5		B	∅ 14,0	19,0	Con Junta	Hex 16,0		-9	0,9
		6								-10	1,0
		7								-11	1,1
		8							-13	1,3	

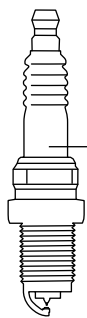


DF 6 H - 11 A

DF		6		H				-11		A		
Tipo de bujía		Grado térmico		Diámetro de la rosca	longitud de rosca	Configuración de asiento	Tamaño del Hexágono	Galga (mm), Nada: Galga convencional				
DF	Bujía de alta inflamabilidad (electrodos finos dobles)	4		A	∅ 14,0	19,0	Con Junta	Hex 16,0	-8	0,8	A,B,C... Código de sufijo	
DFH	Bujía de alta inflamabilidad (DF + tipo híbrido)	5		B	∅ 14,0	26,5	Con Junta	Hex 16,0	-9	0,9		
		6		C	∅ 12,0	26,5	Con Junta	Hex 14,0	-10	1,0		
		7		* DF6H-11A : Longitud de la rosca 28,0 mm						-11		1,1
		8							-13	1,3		
		9						-15	1,5			



Hoe moet ons onderdeelnummer worden gelezen: Bougies

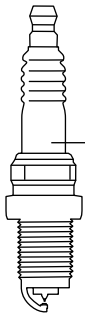


Eenheid: mm

B		P		R		5		E		S		-11		
Schroefdraaddiameter	Zeskant	Structuur		Ontstoringweerstand		Warmtewaarde		Schroefdraadlengte		Constructiekenmerken		Elektrodeafstand		
A	∅ 18,0 Hex 25,4	P	Verschuiven isolatorpunt	R	Weerstand	2		E	19,0	B	aste SAE-aansluitmoer (CR8EB)		Leeg	Motorrijwiel : 0,7-0,8 Auto : 0,8-0,9
B	∅ 14,0 Hex 20,8			Z	Inductieve weerstand	4		EF	17,5		CM	Schuine massa-elektrode Compact type (Onbeschermd isolatorlengte: 18,5)		
BC	∅ 14,0 Hex 16,0	M	Compacte bougie			5		Leeg	EH	19,0 voor de helft uitgevoerd		CS	Schuine massa-elektrode	
BK	∅ 14,0 Hex 16,0					U				Glijvonk-type of extra vonktraject	6		H	12,7
C	∅ 10,0 Hex 16,0	7							7		L	11,2		I
D	∅ 12,0 Hex 18,0					8				8		Leeg	Conische zitting A(P)-F : 10,9 B(P)-F : 11,2 BM(P)-F : 7,8	
DC	∅ 12,0 Hex 16,0	9								9	K		Kleine bougie B(P)M- : 9,5 B-LM : 9,5 CM- : 9,5 CM-6 : 8,6 C-50 : 8,5	
E	∅ 8,0 Hex 13,0					10				10		-LM	Compact type (isolatorlengte: 14.5mm)	
*Uitzondering B(P)M-A,Y : ∅ 14,0, Hex 19,0 P(P)-(E)F : ∅ 14,0, Hex 16,0 CM-6 : ∅ 10,0, Hex 14,0		-P	Platina elektrode Enkele massa-elektrode Meerdere massa-elektrodes van dubbel platina: Enkel platina in middenelektrode							-E	Speciale weerstand		IX-P	Iridium MAX-bougie
BC : Oude JIS-standaardgrootte De lengte van pakkingcircuit naar eindcontact bedraagt 53,0 mm.						LPG 1-8			LaserLine bougieassortiment voor gebruik in gasmotoren					
BK : ISO / JIS standaardgrootte De lengte van pakkingcircuit naar eindcontact bedraagt 50,5 mm.		Q	4-massa-elektrodes				S		Standaard type		T	3-massa-elektrodes		
			U			Type halfglijvonk			Y	Middenelektrode met V-inkepin		Z	Speciale constructie	



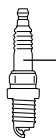
Hoe moet ons onderdeelnummer worden gelezen: Bougies



P F R 5 A - 11

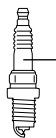
Eenheid: mm

P		F				R		5		A		-11		
Bougie Type		Schroefdraad-diameter	Schroefdraad-lengte	Zitting-configuratie	Zeskant	Ontstoringseerstand		Warmtewaarde		Constructie		Elektrodeafstand		
DI	Extremе onbrandbaarheid, dubbel uitgevoerde, fijne elektroden	F ø 14,0	19,0	Dichtring	Hex 16,0	R	Resistance	2		A,B,C... Suffix code		leer	Motorrijwiel : 0,7-0,8 Auto : 0,8-0,9	
		FE ø 14,0	19,0	Dichtring	Hex 16,0			4						
I	Dubbel iridium bougie	G ø 14,0	19,0	Dichtring	Hex 20,8			5					-7	0,7
L	Bijzonder lange schroefdraad 26,5mm	J ø 12,0	19,0	Dichtring	Hex 18,0			6					-9	0,9
P	Dubbel platina bougie	K ø 12,0	19,0	Dichtring	Hex 16,0			7			I	Middenelektrode van iridium	-10	1,0
S	Hoog ontvlambare bougie: type dun vierkant uiteinde	KA ø 12,0	19,0	Dichtring	Hex 14,0			8			IX	Iridium bougie	-11	1,1
Z	Uitstekende elektrode	KB ø 12,0	19,0	Conische zitting	Bi-Hex 14,0 (Dubbele zeskant *)			9			P	Middenelektrode van platina	-13	1,3
	Hierboven genoemd kenmerken kunnen gecombineerd optreden, <Voorbeeld>ILFR..., PLZFR... Wanneer „L“ is inbegrepen, wordt in de draadlengte prioriteit aan „L“ (lang bereik) gegeven. <Voorbeeld> * Bougie met dichtring FR5AP : draadlengte 19,0mm ↓ LFR5AP-11 : draadlengte 26,5mm * Bougie met conische zitting PTR5C-13 : draadlengte 17,5mm ↓ PLTR6A-10G : draadlengte 25,0mm	KE ø 12,0	19,0	Dichtring	Hex 16,0			10					-15	1,5
		KF ø 12,0	19,0	Dichtring	Hex 14,0						*Wanneer „I“ of „P“ aan het begin van het onderdeelnummer staat („I“ of „P“ na warmtegraad wordt suffixcode.) <Voorbeeld> IZFR6P8 is iridium bougie I: Iridium P: Suffixcode * <Uitzondering> ZFR0P-G is bougie van nikkel		-A	Geen dichtring
		KG ø 12,0	19,0	Dichtring	Bi-Hex 14,0 (Dubbele zeskant *)								-D	Metalen behuizing: vernikkeld
		L ø 10,0	12,7	Dichtring	Hex 16,0							-E	Speciale weerstand	
		M ø 10,0	19,0	Dichtring	Hex 16,0							-G	Massa-elektrode met koperen kern	
		MA ø 10,0	19,0	Dichtring	Hex 14,0							-H	Speciale schroefdraad	
		MF ø 10,0	19,0	Dichtring	Hex 14,0							-J	2 massa-elektroden	
		NA ø 12,0	17,5	Conische zitting	Hex 14,0							-K	Tribbestendige massa-elektrode	
		T ø 14,0	17,5	Conische zitting	Hex 16,0							-N	Speciale massa-elektrode	
		U ø 14,0	11,2	Conische zitting	Hex 16,0							-Q	4 massa-elektroden	
		W ø 18,0	10,9	Conische zitting	Hex 20,8							-S	Speciale dichtring	
		X ø 14,0	9,5	Dichtring	Hex 20,8							-T	3 massa-elektroden	
		Y ø 14,0	11,2	Conische zitting	Hex 16,0							-U	Type halfglijvonkntsteking	
					Dubbele zeskant							IX-P	Iridium MAX-bougie	
					Zeskant							LPG 1-8	LaserLine bougieassortiment voor gasmotoren	



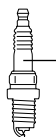
RE 7 C - L

RE		7		C		-L	
Bougie Type		Warmtewaarde		Constructie		Elektrodeafstand	
RE	Bougie voor rotatiemotoren	5		A,B,C... Suffix code		-L	Geleidende zijde
SD	Bougie voor rotatiemotoren (Opening halfglijvonkntsteking)	6				-T	Uitwisellende zijde
		7					
		8					
		9					
		10					
		11					



HB 6 A IX - 11 P

HB		6		A				IX	-11		P
Bougie Type		Warmtewaarde		Schroefdraad-diameter	Schroefdraad-lengte	Zitting-configuratie	Zeskant		Elektrodeafstand		
HB	HYBD (3-massa-elektrode hybride type)	4		A ø 14,0	20,5	Joint	Hex 16,0	IX	-8	0,8	
		5		B ø 14,0	19,0	Joint	Hex 16,0		-9	0,9	
		6							-10	1,0	
		7							-11	1,1	
		8							-13	1,3	

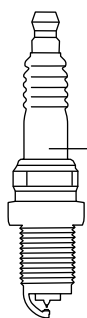


DF 6 H - 11 A

DF		6		H				-11		A
Bougie Type		Warmtewaarde		Schroefdraad-diameter	Schroefdraad-lengte	Zitting-configuratie	Zeskant	Elektrodeafstand		
DF	Hoog ontvlambare bougie (Dubbele fijne elektrodes)	4		A ø 14,0	19,0	Joint	Hex 16,0	-8	0,8	A,B,C... Suffix code
DFH	Hoog ontvlambare bougie (DF + hybride type)	5		B ø 14,0	26,5	Joint	Hex 16,0	-9	0,9	
		6		C ø 12,0	26,5	Joint	Hex 14,0	-10	1,0	
		7		* DF6H-11A : Schroefdraadlengte 28,0 mm				-11	1,1	
		8						-13	1,3	
		9						-15	1,5	



Como ler o nosso número de peça: Velas de ignição



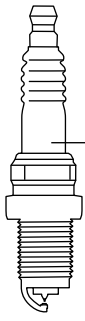
B P R 5 E S - 11

Unidade : mm

B		P		R		5		E		S		-11					
Tamanho da rosca	Tamanho do hexágono	Estrutura		Construçã		Número de potência térmica		Alcance da rosca		Características construtivas		Espaço da vela (mm)					
A	φ 18,0	Hex 25,4	P	Isolador projetado	R	Resistência	2		E	19,0	B	Porca SAE fixa (CR8EB)		Vazio	Mota: 0,7 - 0,8 mm		
B	φ 14,0	Hex 20,8			Z	Resistência indutiva	4		5	EF		17,5	CM		Eléctrodo de terra oblíquo Tipo compacto (Comprimento do isolador exposto: 18,5)		Carro: 0,8 - 0,9 mm
BC	φ 14,0	Hex 16,0	M	Vela compacta (Bantam)		6	EH		19,0 executado até à metade		CS	Eléctrodo de terra oblíquo		-8	0,8		
BK	φ 14,0	Hex 16,0				7			U	Descarga superficial ou semi-surface		8	H	12,7	G,GV	Vela de competição	
C	φ 10,0	Hex 16,0	8	D		φ 12,0	Hex 18,0				L	11,2	I	Eléctrodo central de irídio		-10	1,0
D	φ 12,0	Hex 16,0	9						DC	φ 12,0	Hex 16,0	Vazio		Assento cónico A(P)-F : 10,9 B(P)-F : 11,2 BM(P)-F : 7,8		IX	Vela de irídio
E	φ 8,0	Hex 13,0	10	E		φ 8,0	Hex 13,0						Ficha de tipo pequeno B(P)M- : 9,5 B-LM : 9,5 CM- : 9,5 CM-6 : 8,6 C-50 : 8,5		J		2 eléctrodos de terra projetores
*Exceção B(P)M-A,Y : φ 14,0, Hex 19,0 P(P)-(E)F : φ 14,0, Hex 16,0 CM-6 : φ 10,0, Hex 14,0		BC : Antigo JIS tamanho padrão O comprimento do circuito da junta ao contacto terminal é de 53,0 mm.	BK : ISO / JIS tamanho padrão O comprimento do circuito da junta ao contacto terminal é de 50,5mm.													K	2 eléctrodos de terra
													N	Eléctrodo de massa especial		-S	Anel de vedação especial
												P		Eléctrodo de platin Eléctrodo de terra simples: Dupla platina		-E	Resistência especial
													Q	4 eléctrodos de terra		IX-P	Ficha MAX de Iridio
												S		Tipo padrão		LPG 1-8	LGama de vela de ignição LaserLine para uso em motor a gás
													T	3 eléctrodos de terra			
												U		Tipo faísca semi-deslizante			
													Y	Eléctrodo central com corte em V			
												Z		Construção especial			



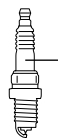
Como ler o nosso número de peça: Velas de ignição



P F R 5 A - 11

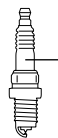
Unidade : mm

P		F				R		5		A		-11			
Tipo de vela		Tamanho da rosca	Tamanho da rosca	Configuração do assento	Tamanho do hexágono	Construção		Número de potência térmica		Construção		Espaço da vela			
DI	Ignibilidade especialmente alta, eléctrodos finos de execução dupla	F	∅ 14,0	19,0	Junta circular	Hex 16,0	R	Resistência	2		A,B,C... Código sufixo		vacio	Mota: 0,7-0,8 Carro: 0,8-0,9	
		FE	∅ 14,0	19,0	Junta circular	Hex 16,0			4						
I	Vela de ignição de irídio duplo	G	∅ 14,0	19,0	Junta circular	Hex 20,8			5					-7	0,7
L	Rosca especialmente longa	J	∅ 12,0	19,0	Junta circular	Hex 18,0			6					-9	0,9
P	Vela de ignição de platina dupla	K	∅ 12,0	19,0	Junta circular	Hex 16,0			7			I	Eléctrodo central de irídio	-10	1,0
S	Ficha de alta inflamabilidade: tipo ponta quadrada fina	KA	∅ 12,0	19,0	Junta circular	Hex 14,0			8					-11	1,1
		KB	∅ 12,0	19,0	Junta circular	Bi-Hex 14,0 (Bi-sextavado *)			9			IX	Vela de irídio	-13	1,3
Z	Ponta de ignição projetada	KE	∅ 12,0	19,0	Junta circular	Hex 16,0			10					P	Eléctrodo central de platina
Os códigos acima indicados podem aparecer em combinação, <Exemplo>LFR..., PLZFR...		KF	∅ 12,0	19,0	Junta circular	Hex 14,0						* Quando há „I“ ou „P“ no início do número da peça („I“ ou „P“ após a avaliação de calor, torna-se o código de sufixo.)		-A	Sem junta circular
Quando „L“ é incluído, a prioridade é dada a „L“ (longo alcance)* em comprimento do fio.		KG	∅ 12,0	19,0	Junta circular	Hex 14,0 (Bi-sextavado*)						<Exemplo> IZFR6P8 é a vela de ignição de irídio I : Irídio P : Código de sufixo		-D	Capa metálica: revestimento de níquel
<Exemplo> *Vela com junta circular FR5AP-11; comprimento da rosca 19,0 mm ↓ LFR5AP-11; comprimento da rosca 26,5mm		L	∅ 10,0	12,7	Junta circular	Hex 16,0					* <Exceção> ZFR0P-G é a vela de ignição de níquel		-E	Resistência especial	
*Vela com assento cónico PTR5C-13; comprimento da rosca 17,5 mm ↓ PLTR6A-10G; comprimento da rosca 25,0 mm		M	∅ 10,0	19,0	Junta circular	Hex 16,0							-G	Eléctrodo de terra com núcleo de cobre	
		MA	∅ 10,0	19,0	Junta circular	Hex 14,0							-H	Rosca especial	
		MF	∅ 10,0	19,0	Junta circular	Hex 14,0							-J	2 eléctrodos de massa	
		NA	∅ 12,0	17,5	Assento cónico	Hex 14,0							-K	Eléctrodo de terra com resistência à vibração	
		T	∅ 14,0	17,5	Assento cónico	Hex 16,0							-N	Eléctrodo de massa especial	
		U	∅ 14,0	11,2	Assento cónico	Hex 16,0							-Q	4 eléctrodos de massa	
		W	∅ 18,0	10,9	Assento cónico	Hex 20,8							-S	Anel de vedação especial	
		X	∅ 14,0	9,5	Junta circular	Hex 20,8							-T	3 eléctrodos de massa	
		Y	∅ 14,0	11,2	Assento cónico	Hex 16,0							-U	Tipo de descarga de semi-superfície	
		*Exceção TR5A-10, TR5A-13,TR5B-13, TR6B-10, TR6B-13,PTR5A-10, PTR5A-13: Comprimento do fio de 25,0 mm				Bi-sextavado								IX-P	Ficha MAX de Irídio
		*O perno bi-sextavado é necessário.				Sextavado								LPG 1-8	Gama de velas de ignição LaserLine para motores a gás
		*FE, KE, KF, KG, MF : Tipo de comprimento de isolador mais tempo exposto													



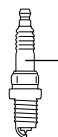
RE 7 C L

RE		7		C		-L	
Tipo de vela		Número de potência térmica		Construção		Espaço da vela	
RE	Vela para motores rotativos	5		A,B,C... Código sufixo		-L	Lado de liderança
SD	Vela para motores rotativos (Espaço de descarga de semi-superfície)	6				-T	Lado de mudança
		7					
		8					
		9					
		10					
		11					



HB 6 A IX - 11 P

HB		6		A		IX		-11		P	
Tipo de vela		Número de potência térmica		Tamanho da rosca	Tamanho da rosca	Configuração do assento	Tamanho do hexágono	Espaço da vela			
HB	HYBD (3 eléctrodos de terra tipo híbrido)	4		A	∅ 14,0	20,5	Con Junta	Hex 16,0	IX	-8	0,8
		5		B	∅ 14,0	19,0	Con Junta	Hex 16,0		-9	0,9
		6								-10	1,0
		7								-11	1,1
		8							-13	1,3	

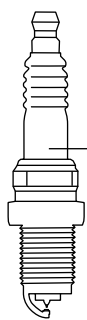


DF 6 H A

DF		6		H		-11		A		
Tipo de vela		Número de potência térmica		Tamanho da rosca	Tamanho da rosca	Configuração do assento	Tamanho do hexágono	Espaço da vela		
DF	Vela de alta inflamabilidade (eléctrodos finos duplos)	4		A	∅ 14,0	19,0	Con Junta	Hex 16,0	-8	0,8
		5		B	∅ 14,0	26,5	Con Junta	Hex 16,0	-9	0,9
DFH	Vela de alta inflamabilidade (DF + Tipo híbrido)	6		C	∅ 12,0	26,5	Con Junta	Hex 14,0	-10	1,0
		7		* DF6H-11A : Tamanho da rosca 28,0 mm					-11	1,1
		8							-13	1,3
		9						-15	1,5	



Πώς να ερμηνεύετε τους κωδικούς μας: Μπουζί



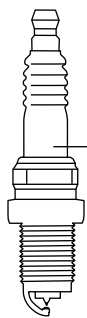
B P R 5 E S - 11

Μονάδα: mm

B		P		R		5		E		S		-11	
Διάμετρος σπειρώματος	εξάγωνο	Δομή	Ανταρρασιτική αντίσταση	Τιμή θερμότητας	Μήκος σπειρώματος	Χαρακτηριστικά κατασκευής	Διάκενο ηλεκτροδίου						
A	φ 18,0 Hex 25,4	P	προωθημένο άκρο μονωτήρα	R	Αντίσταση	E	19,0	B	σταθερό παξιμάδι σύνδεσης SAE (CR8EB)	κενό	Μοτοσικλέτα: 0,7~0,8		
B	φ 14,0 Hex 20,8	M	Συμπαγές μπουζί	Z	επαγωγική αντίσταση	EF	17,5	CM	Ηλεκτρόδιο γείωσης Συμπαγούς τύπου (Μήκος εκτεθειμένου μονωτή: 18,5)		Αυτοκίνητο: 0,8~0,9		
BC	φ 14,0 Hex 16,0	U	Τύπος ολισθαίνοντα σπινθήρα ή πρόσθετης διαδρομής σπινθήρα			EH	19,0 μισή εκτέλεση	CS	Ηλεκτρόδιο γείωσης	-8	0,8		
BK	φ 14,0 Hex 16,0					H	12,7	G,GV	Αγωνιστικό μπουζί	-9	0,9		
C	φ 10,0 Hex 16,0					L	11,2	I	Κεντρικό ηλεκτρόδιο ιριδίου	-10	1,0		
D	φ 12,0 Hex 18,0					8		κενό	Κωνική στεγανή εφαρμογή	IX	Μπουζί ιριδίου	-11	1,1
DC	φ 12,0 Hex 16,0					9			Ηλεκτρόδια που προεξέχουν από το έδαφος	J	Ηλεκτρόδια που προεξέχουν από το έδαφος	-13	1,3
E	φ 8,0 Hex 13,0					10	ψυχροί τύποι		2 ηλεκτρόδια γείωσης	K	2 ηλεκτρόδια γείωσης	-15	1,5
* Εξαιρέση B(P)M-A,Y : φ 14,0, Hex 19,0 P(P)-(E)F : φ 14,0, Hex 16,0 CM-6 : φ 10,0, Hex 14,0									Μπουζί μικρού τύπου B(P)M- : 9,5 B-LM : 9,5 CM-6 : 8,6 C-50 : 8,5	-LM	Συμπαγείς τύποι(Μήκος μονωτήρα: 14,5 mm)	-S	ειδικός στεγανοποιητικός δακτύλιος
BC : Παλιό JIS κανονικό μέγεθος Το μήκος από το κύκλωμα φλάντζας ως την επαφή θερματικού είναι 53,0mm.										N	ειδικό ηλεκτρόδιο γείωσης	-E	ειδική αντίσταση
BK : ISO / JIS κανονικό μέγεθος 50,5mm. Το μήκος από το κύκλωμα φλάντζας ως την επαφή θερματικού είναι 50,5mm.										P	Ηλεκτρόδιο πλατίνιας Απλό ηλεκτρόδιο γείωσης: Διπλή πλατίνια Πολυαπλό ηλεκτρόδιο γείωσης: Μονή πλατίνια σε κεντρικό ηλεκτρόδιο	IX-P	Μπουζί MAX ιριδίου
										Q	Τετραπλά ηλεκτρόδια γείωσης	LPG 1-8	LaserLine σειρά μπουζί για βενζινοκινητήρες
										S	Στάνταρ τύπος		
										T	Τριπλά ηλεκτρόδια γείωσης		
										U	Τύπος σπινθήρα μισής ολίσθησης		
										Y	Μεσαίο ηλεκτρόδιο με εγκοπή V		
										Z	ειδική κατασκευή		



Πώς να ερμηνεύετε τους κωδικούς μας: Μπουζί



P F R 5 A - 11

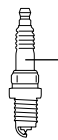
Μονάδα: mm

P		F				R		5		A		-11		
Τύπος		Διάμετρος σπειρώματος	Μήκος σπειρώματος	Διαμόρφωση θέσης	εξάγωνο	Αντιπαρασπικτική αντίσταση	Τιμή θερμότητας	Κατασκευή	Διάκενο ηλεκτροδίου					
DI	Ιδιαίτερα υψηλή ικανότητα ανάφλεξης, λεπτά ηλεκτρόδια διπλής εκτέλεσης	F	φ 14,0	19,0	Στεγανοποιητικός δακτύλος	Hex 16,0	R	Αντίσταση	4	<p>Θερμός τύπος</p> <p>ψυχροί τύποι</p>	A,B,C... Suffix code	κενό	Μοτοσικλέτα: 0,7-0,8 Αυτοκίνητο: 0,8-0,9	
I	Διπλό μπουζί ιριδίου	FE	φ 14,0	19,0	Στεγανοποιητικός δακτύλος	Hex 16,0	2	<p>* Όταν υπάρχει „I” ή „P” στην αρχή του αριθμού αναφοράς εξαρτήματος (Το „I” ή „P” μετά τη θερμική ισχύ γίνεται κωδικός κατάληξης.)</p> <p><Παράδειγμα> Το IZFR6P8 είναι μπουζί ιριδίου I : Ιριδίου P : Κωδικός κατάληξης</p> <p>* <Εξοίρεση> Το ZFR6P-G είναι μπουζί νικελίου</p>	<p>I</p> <p>Κεντρικό ηλεκτρόδιο ιριδίου</p>		-7	0,7		
L	Ιδιαίτερα μακρύ σπείρωμα	G	φ 14,0	19,0	Στεγανοποιητικός δακτύλος	Hex 20,8	5				<p>IX</p> <p>Μπουζί ιριδίου</p>	-9	0,9	
P	Διπλό μπουζί πλατινίας	J	φ 12,0	19,0	Στεγανοποιητικός δακτύλος	Hex 18,0	6					<p>P</p> <p>Κεντρικό ηλεκτρόδιο πλατινίας</p>	-10	1,0
S	Μπουζί υψηλής αναφλεξιμότητας: τύπος λεπτής τετράγωνης άκρης	K	φ 12,0	19,0	Στεγανοποιητικός δακτύλος	Hex 16,0	7						-11	1,1
Z	Προβλεπόμενη θέση πυροδότησης	KA	φ 12,0	19,0	Στεγανοποιητικός δακτύλος	Hex 14,0	8						-13	1,3
<p>Τα παραπάνω αναφερόμενα χαρακτηριστικά μπορεί να παρουσιάσουν συνδυασμένα,</p> <p><Παράδειγμα>ILFR... PLZFR... Όταν συμπεριλαμβάνεται „L”, δίνεται προτεραιότητα στο „L” (μεγάλη εμβέλεια) στο μήκος σπειρώματος.</p> <p><Παράδειγμα> *Μπουζί με στεγανοποιητικό δακτύλο</p> <p>FR5AP : μήκος σπειρώματος 19,0mm</p> <p>LFR5AP-11 : μήκος σπειρώματος 26,5mm</p> <p>* μπουζί με κωνική στεγανή εφαρμογή</p> <p>PTR5C-13 : μήκος σπειρώματος 17,5mm</p> <p>PLTR6A-10G : μήκος σπειρώματος 25,0mm</p>	KB	φ 12,0	19,0	Στεγανοποιητικός δακτύλος	Hex 14,0 (Διπλή εξαγωνική *)	9	<p>-15</p> <p>1,5</p>						-A	χωρίς στεγανοποιητικό δακτύλο
	KE	φ 12,0	19,0	Στεγανοποιητικός δακτύλος	Hex 16,0	10							-D	Μεταλλικό περίβλημα : επικίνδυνη
	KF	φ 12,0	19,0	Στεγανοποιητικός δακτύλος	Hex 14,0								-E	ειδική αντίσταση
	KG	φ 12,0	19,0	Στεγανοποιητικός δακτύλος	Hex 14,0 (Διπλή εξαγωνική *)								-G	Ηλεκτρόδιο γείωσης χαλκού
	L	φ 10,0	12,7	Στεγανοποιητικός δακτύλος	Hex 16,0					-H			ειδικό σπείρωμα	
	M	φ 10,0	19,0	Στεγανοποιητικός δακτύλος	Hex 16,0			-J	2 Ηλεκτρόδια γείωσης					
	MA	φ 10,0	19,0	Στεγανοποιητικός δακτύλος	Hex 14,0			-K	Καλώδιο γείωσης αντίστασης δόνησης					
	MF	φ 10,0	19,0	Στεγανοποιητικός δακτύλος	Hex 14,0			-N	ειδικό ηλεκτρόδιο γείωσης					
	NA	φ 12,0	17,5	Κωνική στεγανή εφαρμογή	Hex 14,0			-Q	4 Ηλεκτρόδιο γείωσης					
	U	φ 14,0	17,5	Κωνική στεγανή εφαρμογή	Hex 16,0			-S	ειδικός στεγανοποιητικός δακτύλος					
T	φ 14,0	11,2	Κωνική στεγανή εφαρμογή	Hex 16,0		-T	3 Ηλεκτρόδιο γείωσης							
W	φ 18,0	10,9	Κωνική στεγανή εφαρμογή	Hex 20,8		-U	Τύπος εκκένωσης ημ-επιφάνειας							
X	φ 14,0	9,5	Στεγανοποιητικός δακτύλος	Hex 20,8		IX-P	Μπουζί ιριδίου MAX							
Y	φ 14,0	11,2	Κωνική στεγανή εφαρμογή	Hex 16,0		LPG 1-8	LaserLine σειρά μπουζί για βενζινομηχανές							
					Διπλή εξαγωνική									
					Εξαγωνική									



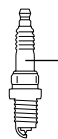
RE 7 C L

RE		7		C		-L	
Τύπος		Τιμή θερμότητας	Κατασκευή	Διάκενο ηλεκτροδίου			
RE	Μπουζί για περιστροφικούς κινητήρες	5	θερμός τύπος	A,B,C... Suffix code	-L	Μπροσινή πλευρά	
SD	Μπουζί για περιστροφικούς κινητήρες (Διάκενο εκκένωσης ημ-επιφάνειας)	6	<p>ψυχροί τύποι</p>		-T	Πλευρά σύνδεσης	
		7					
		8					
		9					
		10					
		11					



HB 6 A IX - 11 P

HB		6		A		IX		-11		P	
Τύπος		Τιμή θερμότητας	Κατασκευή	Διάμετρος σπειρώματος	Μήκος σπειρώματος	Διαμόρφωση θέσης	εξάγωνο	Διάκενο ηλεκτροδίου			
HB	HYBD (τριπλό ηλεκτρόδιο γείωσης υβριδικού τύπου)	4	θερμός τύπος	A	φ 14,0	20,5	Στεγανοποιητικός δακτύλος	Hex 16,0	IX	-8	0,8
		5	<p>ψυχροί τύποι</p>	B	φ 14,0	19,0	Στεγανοποιητικός δακτύλος	Hex 16,0		-9	0,9
		6								-10	1,0
		7								-11	1,1
		8								-13	1,3

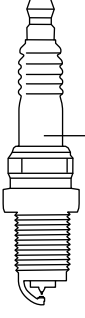


DF 6 H A

DF		6		H		-11		A		
Τύπος		Τιμή θερμότητας	Κατασκευή	Διάμετρος σπειρώματος	Μήκος σπειρώματος	Διαμόρφωση θέσης	εξάγωνο	Διάκενο ηλεκτροδίου		
DF	Μπουζί υψηλής αναφλεξιμότητας (Διπλά λεπτά ηλεκτρόδια)	4	θερμός τύπος	A	φ 14,0	19,0	Στεγανοποιητικός δακτύλος	Hex 16,0	-8	0,8
DFH	Μπουζί υψηλής αναφλεξιμότητας (DF + Υβριδικού τύπου)	5	<p>ψυχροί τύποι</p>	B	φ 14,0	26,5	Στεγανοποιητικός δακτύλος	Hex 16,0	-9	0,9
		6		C	φ 12,0	26,5	Στεγανοποιητικός δακτύλος	Hex 14,0	-10	1,0
		7		* DF6H-11A : Μήκος σπειρώματος 28,0mm					-11	1,1
		8							-13	1,3
		9						-15	1,5	



Parça numaramızın okunma şekli: Ateşleme Bujileri



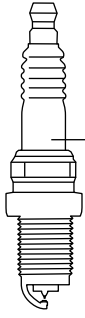
B P R 5 E S - 11

Birim: mm

B		P		R		5		E		S		-11	
	Diş çapı	altı köşeli	Yapı	Parazit giderme direnci		Isı değeri		Diş uzunluğu		Konstrüksiyon özellikleri		Elektrot mesafesi	
A	ø 18,0	Hex 25,4	P	R	Direnç	2	 soğuk tip	E	19,0	B	sabit SAE-bağlantı somunu (CR8EB)	boş	Motosiklet: 0,7-0,8
B	ø 14,0	Hex 20,8	P	Z	indüktif direnç	4		EF	17,5	CM	Eğri şasi elektrodu Kompakt tip (Açıktaki izolasyon uzunluğu: 18,5)		Araba: 0,8-0,9
BC	ø 14,0	Hex 16,0	M			5		EH	19,0 yanm yapılmış	CS	Eğri şasi elektrodu	-8	0,8
BK	ø 14,0	Hex 16,0				6		H	12,7	G,GV	Yanış bujisi	-9	0,9
C	ø 10,0	Hex 16,0	U			7		L	11,2	I	İridiyum çekirdekli elektrot	-10	1,0
D	ø 12,0	Hex 18,0				8		boş	Konik sızdırmaz valf A(P)-F : 10,9 B(P)-F : 11,2 BM(P)-F : 7,8	IX	İridiyum buji	-11	1,1
DC	ø 12,0	Hex 16,0				9			Küçük tipte buji B(P)-M : 9,5 B-LM : 9,5 CM : 9,5 CM-6 : 8,6 C-50 : 8,5	J	2 çıkıntılı şasi elektrodu	-13	1,3
E	ø 8,0	Hex 13,0				10				K	2 şasi elektrodu	-15	1,5
*İstisna B(P)-M-A,Y : ø 14,0, Hex 19,0 P(P)-(E)F : ø 14,0, Hex 16,0 CM-6 : ø 10,0, Hex 14,0										-LM	Kompakt tip (izolatör uzunluğu: 14,5mm)		
BC : Eski JIS standart boyut Conta devresinden terminal kontajına kadar uzunluk 53,0 mm'dir.										N	özel toprak elektrodu	-S	özel conta
BK : ISO / JIS standart boyut Conta devresinden terminal kontajına kadar uzunluk 50,5 mm'dir.									P	Platin elektrodu Tekli şasi elektrodu: Çift platinyum Çoklu şasi elektrodu: Tekli platinyum çekirdekli elektrot	-E	özel direnç	
											IX-P	İridiyum MAKS buji	
											LPG 1-8	Gazli motorda kullanım için LaserLine kızdırma bujisi	
									Q	4 şasi elektrodu			
									S	Standart tip			
									T	3 şasi elektrodu			
									U	Yanm kayar kıvılcım tipi			
									Y	V-çentikli orta elektrot			
									Z	özel tasarım			



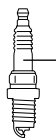
Parça numaramızın okunma şekli: Ateşleme Bujileri



P F R 5 A - 11

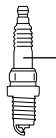
Birim: mm

P		F				R		5		A		-11		
Buji tipi		Diş çapı	Diş uzunluğu	Koltuk konfigürasyonu	altı köşeli	Gürültü direnci	Isı değeri	Konstrüksiyon		Elektrot aralığı				
DI	daha yüksek ateşleme kapasitesi, çift tasarımı, ince elektrotlar	F	ø 14,0	19,0	Conta	Hex 16,0	R	Direnç	2	sıcak tip buji	A,B,C... Suffix code	boş	Motosiklet: 0,7-0,8 Otomobil: 0,8-0,9	
I	İkili iridyum kızdırma bujisi	G	ø 14,0	19,0	Conta	Hex 20,8			4			-7	0,7	
L	daha uzun vidalama	J	ø 12,0	19,0	Conta	Hex 18,0			5				-9	0,9
P	İkili platinyum kızdırma bujisi	K	ø 12,0	19,0	Conta	Hex 16,0			6				-10	1,0
S	Yüksek yanmalı buji: ince kare uçlu tip	KA	ø 12,0	19,0	Conta	Hex 14,0			7		I	İridiyum çekirdekli elektrot	-11	1,1
Z	Korunmalı ateşleme ucu	KB	ø 12,0	19,0	Conta	Bi-Hex 14,0 (İkili altıgen *)			8				-13	1,3
		KE	ø 12,0	19,0	Conta	Hex 16,0			9		P	Platinyum çekirdekli elektrot	-15	1,5
		KF	ø 12,0	19,0	Conta	Hex 14,0			10				-A	Contasız
		KG	ø 12,0	19,0	Conta	Hex 14,0 (İkili altıgen *)							-D	Metal kapak: nikel plaka
		L	ø 10,0	12,7	Conta	Hex 16,0							-E	özel direnç
		M	ø 10,0	19,0	Conta	Hex 16,0							-G	Bakır çekirdekli şasi elektrodu
		MA	ø 10,0	19,0	Conta	Hex 14,0						-H	özel vidalama diş	
		MF	ø 10,0	19,0	Conta	Hex 14,0						-J	2'li topraklama elektrodu	
		NA	ø 12,0	17,5	Konik sızdırmaz	Hex 14,0						-K	Titreşime dayanıklı şasi elektrodu	
		T	ø 14,0	17,5	Konik sızdırmaz	Hex 16,0						-N	özel topraklama elektrodu	
		U	ø 14,0	11,2	Konik sızdırmaz	Hex 16,0						-Q	4'lü topraklama elektrodu	
		W	ø 18,0	10,9	Konik sızdırmaz	Hex 20,8						-S	özel conta	
		X	ø 14,0	9,5	Conta	Hex 20,8						-T	3'lü topraklama elektrodu	
		Y	ø 14,0	11,2	Konik sızdırmaz	Hex 16,0						-U	Yarı yüzeyli deşarj tipi	
												IX-P	İridiyum MAKS buji	
												LPG 1-8	Gaslı motorlarda kullanım için LaserLine kızdırma bujileri	



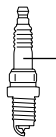
RE 7 C - L

RE		7		C		-L	
Buji tipi		Isı değeri		Konstrüksiyon		Elektrot aralığı	
RE	Dönen motorlar için buji	5	sıcak tip buji	A,B,C... Suffix code		-L	Önde gelen taraf
SD	Dönen motorlar için buji (Yarı yüzeyli deşarj boşluğu)	6				-T	İzleyen taraf
		7					
		8					
		9					
		10					
		11		soğuk tip buji			



HB 6 A IX - 11 P

HB		6		A				IX		-11		P	
Buji tipi		Isı değeri		Diş çapı	Diş uzunluğu	Koltuk konfigürasyonu	altı köşeli		Elektrot aralığı				
HB	HYBD (3 şasi elektrodu hibrit tipi)	4	sıcak tip buji	A	ø 14,0	20,5	Conta	Hex 16,0	IX	-8	0,8		
		5		B	ø 14,0	19,0	Conta	Hex 16,0		-9	0,9		
		6								-10	1,0		
		7								-11	1,1		
		8		soğuk tip buji						-13	1,3		

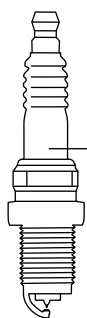


DF 6 H - 11 A

DF		6		H				-11		A		
Buji tipi		Isı değeri		Diş çapı	Diş uzunluğu	Koltuk konfigürasyonu	altı köşeli	Elektrot aralığı				
DF	Yüksek yanmalı buji (İkili hassas elektrot)	4	sıcak tip buji	A	ø 14,0	19,0	Conta	Hex 16,0	-8	0,8	A,B,C... Suffix code	
DFH	Yüksek yanmalı buji (DF + Hibrit tipi)	5		B	ø 14,0	26,5	Conta	Hex 16,0	-9	0,9		
		6			C	ø 12,0	26,5	Conta	Hex 14,0	-10	1,0	
		7								-11	1,1	
		8								-13	1,3	
		9		soğuk tip buji						-15	1,5	



Jak odczytać numer części: Świece zapłonowe

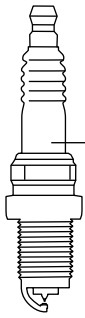


Jednostka:mm

B		P		R		5		E		S		-11		
Średnica gwintu	rozwartość klucza sześciokątne	Struktura		Opornik przeciwzakłóceńowy		Wartość cieplna		Długość gwintu		Właściwości konstrukcyjne		Odstęp elektrod		
A	∅ 18,0 Hex 25,4	P	Wysunięta końcówka izolatora	R	Opornik	2		E	19,0	B	Stala nakrętka SAE (CR8EB)	puste	Motocykl: 0,7-0,8 Samochód: 0,8-0,9	
B	∅ 14,0 Hex 20,8							EF	17,5					CM
BC	∅ 14,0 Hex 16,0	M	Świeca kompaktowa	Z	Oporność indukcyjna	5		EH	19,0 wykonany w połowie	CS	Skośna elektroda, uziemiona	-8	0,8	
BK	∅ 14,0 Hex 16,0					6		H	12,7	G,GV	Świece zapłonowe wysięgowe:	-9	0,9	
C	∅ 10,0 Hex 16,0	U	Iskra ślizgowa bądź półślizgowa	8	7	7		L	11,2	I	Irydowa elektroda centralna	-10	1,0	
D	∅ 12,0 Hex 18,0					9		puste	Szczelne gniazdo stożkowe A(P)-F : 10,9 B(P)-F : 11,2 BM(P)-F : 7,8	IX	Elektroda irydowa - typ IX	-11	1,1	
DC	∅ 12,0 Hex 16,0					10		J	2 wystające elektrody, uziemione	-13	1,3			
E	∅ 8,0 Hex 13,0					K		2 elektrody, uziemione	-15	1,5				
*Wyjątek B(P)M-A,Y : ∅ 14,0, Hex 19,0 P(P)-(E)F : ∅ 14,0, Hex 16,0 CM-6 : ∅ 10,0, Hex 14,0								Świeca małego typu B(P)M- : 9,5 B-LM : 9,5 CM- : 9,5 CM-6 : 8,6 C-50 : 8,5		-LM	Typ kompaktowy (długość izolatora: 14.5mm)			
BC : Stary rozmiar wg normy JIS Długość od obwodu uszczelki do styku zacisku wynosi 53,0 mm.										N	Specjalna elektroda masowa	-S	Specjalny pierścień uszczelniający	
BK : Rozmiar wg normy ISO/JIS Długość od obwodu uszczelki do styku zacisku wynosi 50,5 mm.										P	Elektroda platynowa Pojedyncza elektroda, uziemiona: Podwójna platynowa elektroda z wielokrotnym uziemieniem: Pojedyncza platyna w elektrodzie centralnej:	-E	Specjalny opornik	
										Q	4 elektrody, uziemione	IX-P	Świeca irydowa MAX	
										S	Typ standardowy	LPG 1-8	Oferta świec zapłonowych LaserLine do silników benzynowych	
										T	3 elektrody, uziemione			
										U	Iskra półślizgowa			
										Y	Elektroda środkowa z nacięciem V			
										Z	Specjalna konstrukcja			



Jak odczytać numer części: Świece zapłonowe



P F R 5 A - 11

Jednostka: mm

P		F				R		5		A		-11			
Typ świecy		Srednica gwintu	Długość gwintu	Konfiguracja gniazda	rozwartość klucza sześciokątnego	Opornik przeciwzakłóceniu		Wartość cieplna		Konstrukcja		Odstęp elektrod			
DI	Wysoka zdolność zapłonu, Podwójne, cienkie elektrody	F	∅ 14,0	19,0	Pierścień uszczelniający	Hex 16,0	R	Opornik	2		A,B,C... kod przyrostka		leer	Motorcykl: 0,7-0,8 Samochód: 0,8-0,9	
I	Podwójna irydowa świeca zapłonowa	FE	∅ 14,0	19,0	Pierścień uszczelniający	Hex 16,0			4				-7	0,7	
L	Długi gwint	G	∅ 14,0	19,0	Pierścień uszczelniający	Hex 20,8			5				-9	0,9	
P	Podwójna platynowa świeca zapłonowa	J	∅ 12,0	19,0	Pierścień uszczelniający	Hex 18,0			6				-10	1,0	
S	Świeca o dużej zapłonowości: typ z wąską końcówką kwadratową	K	∅ 12,0	19,0	Pierścień uszczelniający	Hex 16,0			7			I	Irydowa elektroda centralna	-11	1,1
Z	Wysunięta końcówka z elektrodami	KA	∅ 12,0	19,0	Pierścień uszczelniający	Hex 14,0			8			IX	Elektroda irydowa - typ IX	-13	1,3
		KB	∅ 12,0	19,0	Pierścień uszczelniający	Bi-Hex 14,0 (Dwunastokątne *)			9			P	Platynowa elektroda centralna	-15	1,5
		KE	∅ 12,0	19,0	Pierścień uszczelniający	Hex 16,0			10			* Jeśli numer części zaczyna się od liter „I” lub „P” (litery „I” lub „P” po oznaczeniu wartości temperatury są kodem sufiksu).			
		KF	∅ 12,0	19,0	Pierścień uszczelniający	Hex 14,0						<Przykład> IZFR6P8 jest irydową świecą zapłonową			
		KG	∅ 12,0	19,0	Pierścień uszczelniający	Bi-Hex 14,0 (Dwunastokątne *)						I: Iryd P: Kod sufiksu * <Wyjątek> ZFR0P-G jest niklową świecą zapłonową			
		L	∅ 10,0	12,7	Pierścień uszczelniający	Hex 16,0					* <Wyjątek> TR5A-10, TR5A-13, TR5B-13, TR6B-10, TR6B-13, PTR5A-10, PTR5A-13: Długość gwintu 25,0mm				
		M	∅ 10,0	19,0	Pierścień uszczelniający	Hex 16,0					* Wymaga gniazda dwunastokątnego.				
		MA	∅ 10,0	19,0	Pierścień uszczelniający	Hex 14,0					* FE, KE, KF, KG, MF: Typ większej długości otwartego izolatora				
		MF	∅ 10,0	19,0	Pierścień uszczelniający	Hex 14,0									
		NA	∅ 12,0	17,5	Szczelne gniazdo stożkowe	Hex 14,0									
		T	∅ 14,0	17,5	Szczelne gniazdo stożkowe	Hex 16,0									
		U	∅ 14,0	11,2	Szczelne gniazdo stożkowe	Hex 16,0									
		W	∅ 18,0	10,9	Szczelne gniazdo stożkowe	Hex 20,8									
		X	∅ 14,0	9,5	Pierścień uszczelniający	Hex 20,8									
		Y	∅ 14,0	11,2	Szczelne gniazdo stożkowe	Hex 16,0									



RE 7 C - L

RE		7		C		-L	
Typ świecy		Wartość cieplna		Konstruktion		Odstęp elektrod	
RE	Świeca do silników rotacyjnych	5		A,B,C... kod przyrostka		-L	Dolna strona
SD	Świeca do silników rotacyjnych (przerwa wyladowania półpowierzchniowego)	6				-T	Górna strona
		7					
		8					
		9					
		10					
		11					



HB 6 A IX - 11 P

HB		6		A		IX		-11		P	
Typ świecy		Wartość cieplna		Srednica gwintu	Długość gwintu	Konfiguracja gniazda	rozwartość klucza sześciokątnego	Odstęp elektrod			
HB	HYBD (typ hybrydowy z 3 elektrodami uziemionymi)	4		A	∅ 14,0	20,5	Pierścień uszczelniający	Hex 16,0	IX	-8	0,8
		5		B	∅ 14,0	19,0	Pierścień uszczelniający	Hex 16,0		-9	0,9
		6								-10	1,0
		7								-11	1,1
		8							-13	1,3	

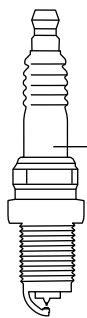


DF 6 H - 11 A

DF		6		H		-11		A		
Typ świecy		Wartość cieplna		Srednica gwintu	Długość gwintu	Konfiguracja gniazda	Sechskant	Odstęp elektrod		
DF	Świeca o dużej zapłonowości (podwójne, cienkie elektrody)	4		A	∅ 14,0	19,0	Pierścień uszczelniający	Hex 16,0	-8	0,8
DFH	Świeca o dużej zapłonowości (Typ DF + hybrydowy)	5		B	∅ 14,0	26,5	Pierścień uszczelniający	Hex 16,0	-9	0,9
		6		C	∅ 12,0	26,5	Pierścień uszczelniający	Hex 14,0	-10	1,0
		7		* DF6H-11A : Długość gwintu 28,0mm				-11	1,1	
		8					-13	1,3		
		9				-15	1,5			



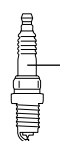
Jak číst naše číslo dílu: Zapalovací svíčky



P F R 5 A - 11

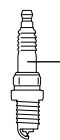
Jednotky: mm

P		F				R		5		A		-11		
Zapalovací typ		Průměr	Délka závitu	Nastavení objímky	šestihran	Odrušovací odpor		Teplotná hodnota		Konstrukce		Vzdálenost elektrod		
DI	mimořádně vysoká schopnost zapálení, dvojité provedení, jemné elektrody	F ø 14,0	19,0	Těsnící kroužek	Hex 16,0	R	Odpor	2		A,B,C... kód přípony		prázdné	Motocykl: 0,7-0,8 Auto: 0,8-0,9	
I	Dvojitá iridiová zapalovací svíčka	FE ø 14,0	19,0	Těsnící kroužek	Hex 16,0			4					-7	0,7
L	mimořádně dlouhý závit	G ø 14,0	19,0	Těsnící kroužek	Hex 20,8			5					-9	0,9
P	Dvojitá platinová zapalovací svíčka	J ø 12,0	19,0	Těsnící kroužek	Hex 18,0			6					-10	1,0
S	Svíčka s mimořádně vysokou schopností zapálení: čtvercový platinový čip	K ø 12,0	19,0	Těsnící kroužek	Hex 16,0			7			I	Iridiová centrální elektroda	-11	1,1
Z	Předsunutě jiskřičtě	KA ø 12,0	19,0	Těsnící kroužek	Hex 14,0			8			IX	Iridiová zapalovací svíčka	-13	1,3
Výše uvedená označení se mohou vyskytovat kombinovaně, <Příklad>ILFR..., PLZFR..., pokud je v kódu „L“, pro mimořádně dlouhý závit stojí „L“ před všemi ostatními písmeny délkového označení. <Příklad> *svíčka s těsnícím kroužkem FR5AP : délka závitu 19,0mm ↓ LFR5AP-11 : délka závitu 26,5mm *svíčka s kuželovým těsnícím sedlem PTR5C-13 : délka závitu 17,5mm ↓ PLTR6A-10G : délka závitu 25,0mm		KB ø 12,0	19,0	Těsnící kroužek	Bi-Hex 14,0 (Dvojitý šestihřanný *)			9			P	Platinová centrální elektroda	-15	1,5
		KE ø 12,0	19,0	Těsnící kroužek	Hex 16,0			10			* Pokud je „I“ nebo „P“ na začátku číselné řady („I“ nebo „P“ po tepelném výkonu znamená kód přípony). <Příklad> IZFR6P8 je iridiová svíčka I: Iridium P: Kód přípony * <Výjimka> ZFR6P-H je niklová svíčka		-A	bez těsnícího kroužku
		KF ø 12,0	19,0	Těsnící kroužek	Hex 14,0								-D	Kovový plášť: poniklováno
		KG ø 12,0	19,0	Těsnící kroužek	Bi-Hex 14,0 (Dvojitý šestihřanný *)								-E	speciální odpor
		L ø 10,0	12,7	Těsnící kroužek	Hex 16,0							-G	Zemnicí elektroda s měděným jádrem	
		M ø 10,0	19,0	Těsnící kroužek	Hex 16,0							-H	speciální závit	
		MA ø 10,0	19,0	Těsnící kroužek	Hex 14,0							-J	2 zemnicí elektrody	
		MF ø 10,0	19,0	Těsnící kroužek	Hex 14,0							-K	Zemnicí elektroda chráněná proti vibracím	
		NA ø 12,0	17,5	Kuželové těsnící sedlo	Hex 14,0							-N	speciální zemnicí elektroda	
		U ø 14,0	17,5	Kuželové těsnící sedlo	Hex 16,0							-Q	4 zemnicí elektrody	
		T ø 14,0	11,2	Kuželové těsnící sedlo	Hex 16,0							-S	speciální těsnící kroužek	
		W ø 18,0	10,9	Kuželové těsnící sedlo	Hex 20,8							-T	3 zemnicí elektrody	
		X ø 14,0	9,5	Těsnící kroužek	Hex 20,8							-U	Typ s poloviční klouzavou jiskrou	
		Y ø 14,0	11,2	Kuželové těsnící sedlo	Hex 16,0							IX-P	Iridiová svíčka MAX	
		*Kromě TR5A-10, TR5A-13, TR5B-13, TR6B-10, TR6B-13, PTR5A-10, PTR5A-13: Délka závitu 25,0mm			Dvojitý šestihřanný							LPG 1-8	Zapalovací svíčka LaserLine s prodlouženým dosahem pro benzínové motory	
		*Je potřeba dvojitá šestihřanná patice												
		*FE, KE, KF, KG, MF: Typ s prodlouženou délkou izolátoru												



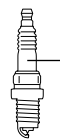
RE 7 C - L

RE		7		C		-L	
Zapalovací typ		Teplotná hodnota		Konstrukce		Vzdálenost elektrod	
RE	Svíčka pro rotační motory	5		A,B,C... kód přípony		-L	Strana předstihu
SD	Svíčka pro rotační motory (Poloviční s klouzavou jiskrou)	6				-T	Pracovní strana
		7					
		8					
		9					
		10					
		11					



HB 6 A IX - 11 P

HB		6		A				IX		-11		P	
Zapalovací typ		Teplotná hodnota		Průměr	Délka závitu	Nastavení objímky	šestihran			Vzdálenost elektrod			
HB	HYBD (hybridní typ s 3 zemnicími elektrodami)	4		A ø 14,0	20,5	Těsnící kroužek	Hex 16,0	IX	-8	0,8			
		5		B ø 14,0	19,0	Těsnící kroužek	Hex 16,0		-9	0,9			
		6							-10	1,0			
		7							-11	1,1			
		8							-13	1,3			

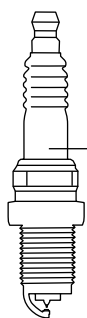


DF 6 H - 11 A

DF		6		H				-11		A	
Zapalovací typ		Teplotná hodnota		Průměr	Délka závitu	Nastavení objímky	šestihran			Vzdálenost elektrod	
DF	Svíčka s mimořádně vysokou schopností zapálení (Dvojitá přesná elektroda)	4		A ø 14,0	19,0	Těsnící kroužek	Hex 16,0		-8	0,8	A,B,C... kód přípony
DFH	Svíčka s mimořádně vysokou schopností zapálení (DF + hybridní typ)	5		B ø 14,0	26,5	Těsnící kroužek	Hex 16,0		-9	0,9	
		6		C ø 12,0	26,5	Těsnící kroužek	Hex 14,0		-10	1,0	
		7		*DF6H-11A : Délka závitu 28,0mm					-11	1,1	
		8						-13	1,3		
		9					-15	1,5			

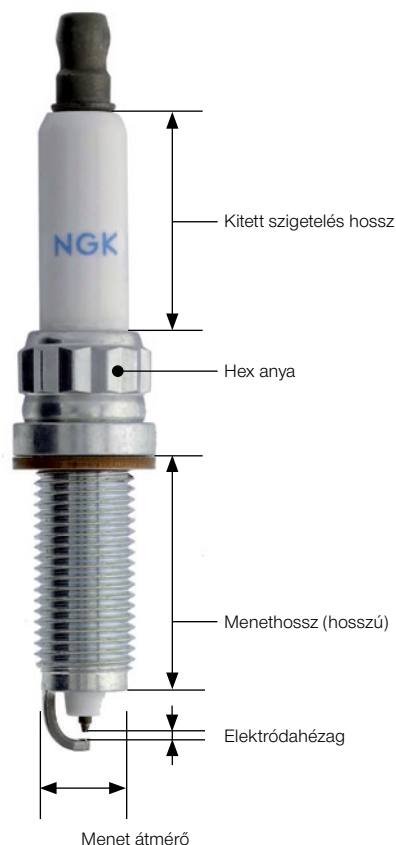


Hogyan kell leolvasni a cikkszámot: Gyújtógyertyák

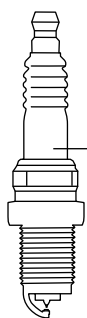


Egység: mm

B		P		R		5		E		S		-11			
Menet átmérő	hatlap	Struktúra		Zavarszűrő ellenállás		Hőérték		Menethossz		Konstrukciós jellemzők		Elektródahézag			
A	∅ 18,0	Hex 25,4	P	előretolt szigetelőcsúcs	R	Ellenállás	2		E	19,0	B	rögített SAE csatlakozó anyja (CR8EB)	üres	Motorkerékpár: 0,7-0,8 Autó: 0,8-0,9	
B	∅ 14,0	Hex 20,8	M	Kompakt gyertya	Z	induktív ellenállás	4		EF	17,5	CM	Ferde testelektródákompakt kivitel (Kített szigetelés hossz: 18,5)			
BC	∅ 14,0	Hex 16,0	U	Siklószikrás típus vagy kiegészítő szikraút			5		EH	19,0 félig kivezetett	CS	Ferde testelektróda	-8	0,8	
BK	∅ 14,0	Hex 16,0					6		H	12,7	G,GV	Versenygyertya	-9	0,9	
C	∅ 10,0	Hex 16,0					7		L	11,2	I	Iridium középelektróda	-10	1,0	
D	∅ 12,0	Hex 18,0					8		üres	Kúpos tömítő ülék A(P)-F : 10,9 B(P)-F : 11,2 BM(P)-F : 7,8	IX	iridium gyújtógyertya	-11	1,1	
DC	∅ 12,0	Hex 16,0					9				J	2 vetített testelektróda	-13	1,3	
E	∅ 8,0	Hex 13,0					10		hideg típus	Kis dugó típus B(P)M- : 9,5 B-LM : 9,5 CM- : 9,5 CM-6 : 8,6 C-50 : 8,5	K	2 testelektróda	-15	1,5	
*Kivétel B(P)M-A,Y : ∅ 14,0, Hex 19,0 P(P)-(E)F : ∅ 14,0, Hex 16,0 CM-6 : ∅ 10,0, Hex 14,0											-LM		Kompakt típus (szigetelőhossz: 14,5 mm)		
BC : Régi JIS szabvány méret A tömítés és a csatlakozás közötti távolság 53,0mm.											N		speciális testelektróda	-S	speciális tömítőgyűrű
BK : ISO / JIS szabvány méret A tömítés és a csatlakozás közötti távolság 50,5mm.										P		platina elektróda Egyetlen testelektróda Dupla platina	-E	speciális ellenállás	
										Multi testelektróda: Egyetlen platina középelektródában		IX-P	Iridium MAX gyertya		
										Q		4 testelektróda	LPG 1-8	Laserline gyújtógyertya tartomány gázmotor használatra	
										S		Normál típus			
										T		3 testelektróda			
										U		Félig siklószikrás típus			
										Y		középelektróda V horonnyal			
										Z		speciális kialakítás			



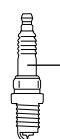
Hogyan kell leolvasni a cikkszámot: Gyújtógyertyák



P F R 5 A - 11

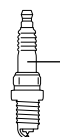
Egység: mm

P		F				R		5		A		-11	
Gyertyatípus		Menet átmérő	Menethossz	Fenek konfiguráció	hatlap	Zavarszűrő ellenállás	Hőérték		Konstrukció		Elektródahézag		
DI	különösen magas gyújtóképesség, duplán kivetett, finom elektródák	F Ø 14,0	19,0	Tömítés	Hex 16,0	R Ellenállás	2		A,B,C... Suffix code		üres	Motorkerékpár: 0,7-0,8 Autó: 0,8-0,9	
I	Dupla irídium gyújtógyertya	FE Ø 14,0	19,0	Tömítés	Hex 16,0		4				-7	0,7	
L	különösen hosszú menet	G Ø 14,0	19,0	Tömítés	Hex 20,8		5				-9	0,9	
P	Dupla paltina gyújtógyertya	J Ø 12,0	19,0	Tömítés	Hex 18,0		6				-10	1,0	
S	Magas hőértékű gyertya: vékony négyzetes hegy típus	K Ø 12,0	19,0	Tömítés	Hex 16,0		7				-11	1,1	
Z	Tervezett gyújtógyertya vég	KA Ø 12,0	19,0	Tömítés	Hex 14,0		8				-13	1,3	
A fent felsorolt jelölések kombinációként is előfordulhatnak, <Példa>ILFR..., PLZFR..., Amikor „L” szerepel, prioritást kap az „L” (hosszú menet) a menethosszban. <Példa> *gyertya tömítéssel FR5AP : menethossz 19,0mm ↓ LFR5AP-11 : menethossz 26,5mm *gyertya kúpos tömítő üléssel PTR5C-13 : menethossz 17,5mm ↓ PLTR6A-10G : menethossz 25,0mm		KB Ø 12,0	19,0	Tömítés	Bi-Hex 14,0 (Kettős hatszögletű *)		9				-15	1,5	
		KE Ø 12,0	19,0	Tömítés	Hex 16,0		10				-A	nincs tömítőgyűrű	
		KF Ø 12,0	19,0	Tömítés	Hex 14,0				-D	Fém persely: galvanizált			
		KG Ø 12,0	19,0	Tömítés	Tömítés	Bi-Hex 14,0 (Kettős hatszögletű *)			-E	speciális ellenállás			
		L Ø 10,0	12,7	Tömítés	Hex 16,0				-G	Rézmagos testelektróda			
		M Ø 10,0	19,0	Tömítés	Hex 16,0				-H	speciális menet			
		MA Ø 10,0	19,0	Tömítés	Hex 14,0				-J	2 testelektróda			
		MF Ø 10,0	19,0	Tömítés	Hex 14,0				-K	Testelektróda rezgéssel szembeni ellenállása			
		NA Ø 12,0	17,5	Kúpos tömítő ülék	Hex 14,0				-N	speciális testelektróda			
		T Ø 14,0	17,5	Kúpos tömítő ülék	Hex 16,0				-Q	4 testelektróda			
U Ø 14,0	11,2	Kúpos tömítő ülék	Hex 16,0				-S	speciális tömítőgyűrű					
W Ø 18,0	10,9	Kúpos tömítő ülék	Hex 20,8				-T	3 testelektróda					
X Ø 14,0	9,5	Tömítés	Hex 20,8				-U	Fél kúpsziszkrás típus					
Y Ø 14,0	11,2	Kúpos tömítő ülék	Hex 16,0				IX-P	Iridium MAX gyertya					
*Kivétel TR5A-10, TR5A-13, TR5B-13, TR6B-10, TR6B-13, PTR5A-10, PTR5A-13 : Menethossz 25,0mm ** Kettős hatszögletű aljzat szükséges. *FE, KE, KF, KG, MF : Hosszabban kitétt szigetelés hossz típus									LPG 1-8	Lasertline gyújtógyertya tartomány gázmotor használatra			



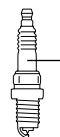
RE 7 C - L

RE		7		C		-L	
Gyertyatípus		Hőérték		Konstrukció		Elektródahézag	
RE	Forgódugattyús motor gyertya	5		A,B,C... Suffix code		-L	Leading oldal
SD	Forgódugattyús motor gyertya (Fél kúpsziszkrás hézag)	6				-T	Trading oldal
		7					
		8					
		9					
		11					



HB 6 A IX - 11 P

HB		6		A				IX	-11		P
Gyertyatípus		Hőérték		Menet átmérő	Menethossz	Fenek konfiguráció	hatlap		Elekt-ródahézag		
HB	HYBD (3 testelektróda hibrid típus)	4		A Ø 14,0	20,5	Tömítés	Hex 16,0	IX	-8	0,8	
		5		B Ø 14,0	19,0	Tömítés	Hex 16,0		-9	0,9	
		6							-10	1,0	
		7							-11	1,1	
		8							-13	1,3	

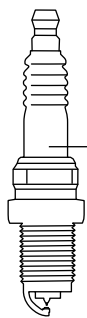


DF 6 H - 11 A

DF		6		H				-11		A	
Gyertyatípus		Hőérték		Menet átmérő	Menethossz	Fenek konfiguráció	hatlap	Elekt-ródahézag			
DF	Nagy hőértékű gyertya (dupla finom elektródák)	4		A Ø 14,0	19,0	Tömítés	Hex 16,0	-8	0,8	A,B,C... Suffix code	
DFH	Nagy hőértékű gyertya (DF + hibrid típus)	5		B Ø 14,0	26,5	Tömítés	Hex 16,0	-9	0,9		
		6		C Ø 12,0	26,5	Tömítés	Hex 14,0	-10	1,0		
		7							-11	1,1	
		8							-13	1,3	
		9						-15	1,5		



Что означает код детали: Свечи накаливания

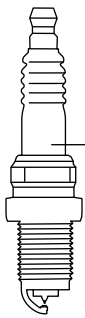


Единица измерения : мм

B		P		R		5		E		S		-11					
Диаметр резьбы	Шестигранник	Структура		Помехоподавляющий резистор		Калильное число		Длина резьбы		Конструктивные особенности		Межэлектродный зазор					
A	φ 18,0	Hex 25,4	P	с выступающим изолятором	R	с резистором	2		E	19,0	B	Неподвижная контактная гайка SAE (CR8EV)	leer	Мотоцикл: 0,7~0,8			
B	φ 14,0	Hex 20,8			Z	с индуктивным резистором	4		горячие	EF			17,5	CM	Наклонный боковой электрод Компактный тип (длина выступающего изолятора: 18,5)		Автомобиль: 0,8~0,9
BC	φ 14,0	Hex 16,0	M	Компактная свеча			5		EH	19,0 с частично нарезанной резьбой, длина резьбы 12,7мм	CS	Наклонный боковой электрод	-8	0,8			
BK	φ 14,0	Hex 16,0					U						Тип с поверхностным разрядом или дополнительным искровым зазором	6	H	12,7	G, GV
C	φ 10,0	Hex 16,0	D	φ 12,0 Hex 18,0					7	L	11,2	J		2 удлиненных боковых электрода			
D	φ 12,0	Hex 16,0					E		φ 8,0 Hex 13,0				8		пустой	Коническая плотная посадка A(P)-F : 10,9 B(P)-F : 11,2 BM(P)-F : 7,8	K
DC	φ 12,0	Hex 16,0	9	Компактная свеча B(P)M- : 9,5 V-LM : 9,5 CM-6 : 8,6 C-50 : 8,5						LM	Компактный тип (Длина изолятора: 14,5 мм)	N	Специальный боковой электрод	-S			
E	φ 8,0	Hex 13,0	10				холодные		P						Платиновый электрод Один боковой электрод : двойной платиновый Несколько боковых электродов: Одиный платиновый центральный электрод	-E	Специальное сопротивление
*Исключения B(P)M-A, Y : φ 14,0, Hex 19,0 P(P)-(E)F : φ 14,0, Hex 16,0 CM-6 : φ 10,0, Hex 14,0		BC : Устаревший размер по японским промышленным стандартам JIS. Расстояние от уплотняющей прокладки до контактного вывода составляет 53,0 мм.		BK : Стандартный размер ISO/JIS. Расстояние от уплотняющей прокладки до контактного вывода составляет 50,5 мм.						Q		4 боковых электрода		IX-P			
									S		Стандартный тип		LPG 1-8		Свеча зажигания LaserLine для использования в газовых двигателях		
									T		3 боковых электрода						
									U		Тип с полуповерхностным разрядом						
								Y		Центральный электрод с V-образной насечкой							
								Z		Специальная конструкция							



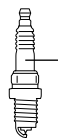
Что означает код детали: Свечи накаливания



P F R 5 A - 11

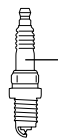
Единица измерения : мм

P		F				R	5		A		-11			
Типы свечей зажигания		Диаметр резьбы	Длина резьбы	Тип основания	Длина резьбы	Помехоподавляющий резистор	Калильное число		Конструкция		Межэлектродный зазор			
DI	Свеча с повышенной надежностью зажигания, с особо тонким электродом	F Ø 14,0	19,0	Уплотнительное кольцо	Hex 16,0	R резистором	2		A,B,C... Suffix код		пустой	Мотоцикл: 0,7-0,8 Автомобиль: 0,8-0,9		
I	Двойная иридиевая свеча зажигания	G Ø 14,0	19,0	Уплотнительное кольцо	Hex 20,8		4		5		-7	0,7		
L	Удлиненная резьбовая часть	J Ø 12,0	19,0	Уплотнительное кольцо	Hex 18,0		6				-9	0,9		
P	Двойная платиновая свеча зажигания	KA Ø 12,0	19,0	Уплотнительное кольцо	Hex 14,0		7			I	Иридиевый центральный электрод	-10	1,0	
S	Свеча с повышенной надежностью зажигания : тонкая квадратная платиновая вставка	KB Ø 12,0	19,0	Уплотнительное кольцо	Bi-Hex 14,0 (Bi-hexagonal *)		8			IX	Иридиевый электрод (IX)	-11	1,1	
Z	выступающий запальный конец	KE Ø 12,0	19,0	Уплотнительное кольцо	Hex 16,0		9			P	Платиновый центральный электрод	-13	1,3	
Указанные выше обозначения могут быть комбинированными, <Пример>LFR-, PLZFR-, При наличии индекса «L», приоритетным в определении длины резьбы является индекс «L» (длинная резьбовая часть). <Пример> * Свеча с уплотнительным кольцом FR5AP : длина резьбы 19,0мм ↓ LFR5AP-11 : длина резьбы 26,5мм * Свеча с конической плотной посадкой PTR5C-13 : длина резьбы 17,5мм ↓ PLTR6A-10G : длина резьбы 25,0мм		KF Ø 12,0	19,0	Уплотнительное кольцо	Hex 14,0		10		горячие			-15	1,5	
		KG Ø 12,0	19,0	Уплотнительное кольцо	Bi-Hex 14,0 (Bi-hexagonal *)				холодные			-A	без уплотнительного кольца	
		L Ø 10,0	12,7	Уплотнительное кольцо	Hex 16,0							-D	Никелевое покрытие металлического корпуса	
		M Ø 10,0	19,0	Уплотнительное кольцо	Hex 16,0							-E	Специальное сопротивление	
		MA Ø 10,0	19,0	Уплотнительное кольцо	Hex 14,0						-G	Боковой электрод с медным сердечником		
		MF Ø 10,0	19,0	Уплотнительное кольцо	Hex 14,0						-H	Специальная резьба		
		NA Ø 12,0	17,5	Коническая плотная посадка	Hex 14,0						-J	2 боковых электрода		
		T Ø 14,0	17,5	Коническая плотная посадка	Hex 16,0						-K	Вибростойкий боковой электрод		
		U Ø 14,0	11,2	Коническая плотная посадка	Hex 16,0						-N	Специальный боковой электрод		
		W Ø 18,0	10,9	Коническая плотная посадка	Hex 20,8						-Q	4 боковых электрода		
X Ø 14,0	9,5	Уплотнительное кольцо	Hex 20,8						-S	Специальное уплотнительное кольцо				
Y Ø 14,0	11,2	Коническая плотная посадка	Hex 16,0						-T	3 боковых электрода				
				* Исключения TR5A-10, TR5A-13, TR5B-13, TR6B-10, TR6B-13, PT-R5A-10, PTR5A-13 : Длина резьбы 25,0мм		Двойник шестигранник								
				* Необходима головка с двойным шестигранником.		Шестигранник								
				* FE, KE, KF, KG, MF : Увеличенная длина выступающего изолятора										



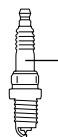
RE 7 C - L

RE		7	C		-L		
Типы свечей зажигания		Калильное число		Конструкция		Межэлектродный зазор	
RE	Свеча для роторных двигателей	5		A,B,C... Suffix код		-L	Ведущая сторона
SD	Свеча для роторных двигателей (полуповерхностный разряд и дополнительный зазор)	6				-T	Ведомая сторона
		7					
		8					
		9					
		10					
		11	холодные				



HB 6 A IX - 11 P

HB		6		A			IX	-11		P	
Типы свечей зажигания		Калильное число		Диаметр резьбы	Длина резьбы	Тип основания	Шестигранник	Межэлектродный зазор			
HB	HYBD (гибридный тип с 3 боковыми электродами)	4		A Ø 14,0	20,5	Уплотнительное кольцо	Hex 16,0	IX	-8	0,8	
		5		B Ø 14,0	19,0	Уплотнительное кольцо	Hex 16,0		-9	0,9	
		6							-10	1,0	
		7							-11	1,1	
		8	холодные						-13	1,3	



DF 6 H - 11 A

DF		6		H				-11		A
Типы свечей зажигания		Калильное число		Диаметр резьбы	Длина резьбы	Тип основания	Шестигранник	Межэлектродный зазор		
DF	Свеча с повышенной надежностью зажигания (двойные тонкие электроды)	4		A Ø 14,0	19,0	Уплотнительное кольцо	Hex 16,0	-8	0,8	A,B,C... Suffix код
DFH	Свеча с повышенной надежностью зажигания (DF + гибридный тип)	5		B Ø 14,0	26,5	Уплотнительное кольцо	Hex 16,0	-9	0,9	
		6		C Ø 12,0	26,5	Уплотнительное кольцо	Hex 14,0	-10	1,0	
		7		* DF6H-11A : Длина резьбы 28,0мм				-11	1,1	
		8						-13	1,3	
		9	холодные					-15	1,5	



Tightening torques for spark plugs

Torques

A torque wrench is required for the professional installation of a spark plug. Even for professionals the estimation of the tightening torque is nearly impossible.

That is because a torque can be calculated from two sizes which are multiplied by one another: the force which is applied to the respective centre of rotation and the length of the handle.

Most spark plug failures can be traced back to an incorrect tightening torque. If it is set too low, there is a risk of compression losses and overheating. A break of the insulator or middle electrode as a result of vibrations is also feasible.

If the tightening torque is set too high, the spark plug can snap off. The casing can also expand or warp. Heat dissipation zones are disrupted, overheating and melting of the electrodes or even engine damage can occur.

Cylinder head material	Spark plug with flat seat (with gasket)				Spark plug with conical seat	
	Thread diameter				Thread diameter	
	18 mm	14 mm	12 mm	10 mm	18 mm	14 mm
Cast iron head	35-45 Nm	25-35 Nm	15-25 Nm	10-15 Nm	20-30 Nm	15-25 Nm
Aluminium head	35-40 Nm	25-30 Nm	15-20 Nm	10-12 Nm	20-30 Nm	10-20 Nm

The torques depend on the cylinder head material and the thread diameter.

Tightening torques for glow plugs

The correct torque

For the professional installation of a glow plug, the use of a torque wrench is recommended. Even for professionals the estimation of the tightening torque is nearly impossible.

That is because a torque can be calculated from two sizes which are multiplied by one another: the

force which is applied to the respective centre of rotation and the length of the handle.

If the incorrect torque is applied to a glow plug, a compression loss can result. Based on the vibrations, it is also possible in the case of ceramic glow plugs that the ceramic will break.

The application of a tightening torque which is too great, in particular, can lead to the contraction of the annular gap between the metal case and glow tube. In this case the glow plug overheats and fails.

! Please follow the instruction if specified tightening torque or angle is mentioned on the package !!!

Metal Glow Plug					Ceramic Glow Plug	
Thread diameter					Thread diameter	
M8	M9	M10	M12	M14	M8	M10
8,5 Nm	11 Nm	15 Nm	23 Nm	23 Nm	10 Nm	18 Nm
+/- 10	+/- 10	+/- 10	+/- 10	+/- 10	+/- 10	+/- 10

Tightening Torque for the connecting nuts	
Thread diameter	Tightening torque
4 mm (M4)	0,8–1,5 Nm
5 mm (M5)	3,0–4,0 Nm

Glow plugs will only function faultlessly when they are screwed in with the correct torques.

Drehmomente Zündkerzen

Das richtige Drehmoment für Zündkerzen

Für die fachgerechte Montage einer Zündkerze ist ein Drehmomentschlüssel erforderlich. Denn selbst für Werkstattprofis ist das "Schätzen" des Anzugsdrehmomentes nahezu unmöglich.

Das liegt daran, dass sich ein Drehmoment aus zwei Größen errechnet, die miteinander multipliziert werden: der Kraft, die auf den jeweiligen Drehpunkt einwirkt, und der Länge des Hebels.

Die meisten Zündkerzenausfälle gehen auf ein falsches Anzugsdrehmoment zurück. Wird es zu niedrig gewählt, drohen Kompressionsverluste und Überhitzung. Auch ein Bruch von Isolator oder Mittelelektrode infolge von Vibrationen ist denkbar.

Wird das Drehmoment zu hoch gewählt, kann es zum Abreißen der Zündkerze führen. Auch kann das Gehäuse sich dehnen oder verdrehen. Die Wärmeabflusszonen werden gestört, es drohen Überhitzung und Verschmelzung der Elektroden bis hin zum Motorschaden.

Zylinderkopf-Material	Zündkerze mit flachem Sitz (mit Dichtung)				Zündkerze mit konischem Sitz	
	Gewindedurchmesser				Gewindedurchmesser	
	18 mm	14 mm	12 mm	10 mm	18 mm	14 mm
Gusseisenkopf	35-45 Nm	25-35 Nm	15-25 Nm	10-15 Nm	20-30 Nm	15-25 Nm
Aluminiumkopf	35-40 Nm	25-30 Nm	15-20 Nm	10-12 Nm	20-30 Nm	10-20 Nm

Die Drehmomente sind vom Zylinderkopfmaterial und dem Gewindedurchmesser abhängig.

Drehmomente Glühkerzen

Das richtige Drehmoment für den Einbau von Glühkerzen

Für die fachgerechte Montage einer Glühkerze empfiehlt sich die Verwendung eines Drehmomentschlüssels. Denn selbst für Werkstattprofis ist das „Schätzen“ des Anzugsdrehmomentes nahezu unmöglich.

Das liegt daran, dass sich ein Drehmoment aus zwei Größen errechnet, die miteinander

multipliziert werden: der Kraft, die auf den jeweiligen Drehpunkt einwirkt, und der Länge des Hebels.

Wird bei einer Glühkerze ein falsches Drehmoment angewendet, kann es zu Kompressionsverlusten kommen. Aufgrund von Vibrationen ist bei keramischen Glühkerzen außerdem ein Bruch der Keramik möglich.

Auch kann insbesondere die Verwendung eines zu großen Anzugsdrehmoments zum Zusammenziehen des Ringspalts zwischen Metallgehäuse und Glührohr führen. In diesem Fall überhitzt die Glühkerze und fällt aus.

! Bitte beachten Sie die Anzugsdrehmomente oder -Winkel, wenn diese auf der Verpackung angegeben sind!

Metallstabglühkerze					Keramische Glühkerze	
Gewindedurchmesser					Gewindedurchmesser	
M8	M9	M10	M12	M14	M8	M10
8,5 Nm	11 Nm	15 Nm	23 Nm	23 Nm	10 Nm	18 Nm
+/- 10	+/- 10	+/- 10	+/- 10	+/- 10	+/- 10	+/- 10

Anzugsdrehmomente von Anschlussmuttern	
Gewindedurchmesser	Anzugsdrehmoment
4 mm (M4)	0,8–1,5 Nm
5 mm (M5)	3,0–4,0 Nm

Nur wenn Glühkerzen mit den richtigen Drehmomenten eingeschraubt werden funktionieren diese einwandfrei

Couples de serrage Bougies d'allumage

Couples de serrage

Une clé dynamométrique est obligatoire pour monter correctement une bougie d'allumage. Même pour un réparateur confirmé, il est pratiquement impossible d'estimer précisément un couple de serrage.

Le couple de serrage est à deux composantes : La force au point de rotation et la longueur du levier. Ce qui rend son estimation difficile.

La majorité des pannes liées aux bougies d'allumage sont dues à un couple de serrage incorrect.

S'il est choisi faible, la perte de compression peut générer une surchauffe et les vibrations peuvent créer une rupture de l'isolant ou de l'électrode centrale.

A contrario, S'il est trop élevé, il peut résulter un arrachage du

filetage de la bougie d'allumage. Le culot peut également se serrer dans la culasse. Les zones d'évacuation de chaleur peuvent se détruire, ce qui peut provoquer une surchauffe et une fonte des électrodes voire même une panne du moteur.

Matériau de culasse	Bougie d'allumage à siège plat (avec joint d'étanchéité)				Bougie d'allumage à siège conique	
	Diamètre de filet				Diamètre de filet	
	18 mm	14 mm	12 mm	10 mm	18 mm	14 mm
Culasse en fonte de fer	35-45 Nm	25-35 Nm	15-25 Nm	10-15 Nm	20-30 Nm	15-25 Nm
Culasse en aluminium	35-40 Nm	25-30 Nm	15-20 Nm	10-12 Nm	20-30 Nm	10-20 Nm

Le couple de serrage dépend du matériau de la culasse et du diamètre de filetage du culot de la bougie.

Couples de serrage Bougies de préchauffage

Le bon couple de serrage

Pour monter correctement une bougie de préchauffage, il est recommandé d'utiliser une clé dynamométrique. Car même pour les mécaniciens il est presque impossible d'estimer le couple de serrage.

Ceci vient du fait qu'un couple de serrage est composé de deux valeurs qui sont à multiplier

ensemble : la force qui agit sur le point de rotation respectif et la longueur du levier.

Si on applique un couple de serrage erroné à une bougie de préchauffage, ceci peut entraîner des pertes de compression. Pour les bougies de préchauffage en céramique, une rupture de la céramique est possible en raison des vibrations.

De même, l'application d'un couple de serrage trop important peut conduire à une rétractation de la fente du segment entre le culot et le tube de préchauffage. Dans ce cas de figure, la bougie de préchauffage surchauffe et grille.

! Veuillez suivre les instructions si un couple ou un angle de serrage est spécifié sur l'emballage !!

Bougie de préchauffage en métal					Bougie de préchauffage en céramique	
Diamètre de filet					Diamètre de filet	
M8	M9	M10	M12	M14	M8	M10
8,5 Nm	11 Nm	15 Nm	23 Nm	23 Nm	10 Nm	18 Nm
+/- 10	+/- 10	+/- 10	+/- 10	+/- 10	+/- 10	+/- 10

Couples de serrage des écrous de raccord	
Diamètre de filet	Couple de serrage
4 mm (M4)	0,8-1,5 Nm
5 mm (M5)	3,0-4,0 Nm

Pour que les bougies de préchauffage fonctionnent parfaitement, elles doivent être vissées avec le bon couple de serrage

Coppie di serraggio candele

Coppie di serraggio

Per installarle a regola d'arte una candela di accensione è necessario utilizzare una chiave dinamometrica.

La coppia di serraggio è data dal prodotto tra la forza applicata per il serraggio e la lunghezza del braccio della chiave (leva).

Molti degli inconvenienti riscontrabili sulle candele sono riconducibili ad una coppia di serraggio errata. Se la coppia risulta troppo bassa potrebbero

verificarsi perdite di compressione e surriscaldamenti. Si può anche incorrere ad una rottura dell'isolatore o dell'elettrodo centrale in conseguenza delle vibrazioni.

Se la coppia di serraggio risulta troppo elevata, il corpo metallico

della candela potrebbe subire deformazioni a tal punto da compromettere l'efficienza dello scambio termico della candela. Naturale conseguenza sono fenomeni di surriscaldamento e danni al motore.

Materiale testata	Candela con sede piatta (con guarnizione)				Candele con sede conica	
	Diametro filettatura				Diametro filettatura	
	18 mm	14 mm	12 mm	10 mm	18 mm	14 mm
Testata in ghisa	35-45 Nm	25-35 Nm	15-25 Nm	10-15 Nm	20-30 Nm	15-25 Nm
Testata in alluminio	35-40 Nm	25-30 Nm	15-20 Nm	10-12 Nm	20-30 Nm	10-20 Nm

Le coppie di serraggio dipendono dal materiale della testata e dal diametro della filettatura

Coppie di serraggio candelette

La coppia corretta

Per il montaggio a regola d'arte di una candeletta si consiglia l'uso di una chiave dinamometrica.

Persino per i professionisti dell'officina, infatti, è praticamente impossibile valutare la coppia di serraggio senza lo strumento adatto.

La coppia è data dal prodotto tra la forza applicata per il serraggio e la lunghezza del braccio della chiave (leva).

Se ad una candeletta viene applicata una coppia errata, possono verificarsi perdite di compressione. A causa delle vibrazioni, inoltre, nelle candelette

con bulbo ceramico potrebbe verificarsi una rottura della ceramica.

L'applicazione di una coppia di serraggio eccessivo può anche causare una deformazione del corpo metallico. In questo caso la candeletta può anche surriscaldarsi e guastarsi.

! Se sulla confezione è indicato un angolo o una coppia di serraggio specifico, attenersi alle indicazioni !!!

Candele metallica					Candele ceramica	
Diametro filettatura					Diametro filettatura	
M8	M9	M10	M12	M14	M8	M10
8,5 Nm	11 Nm	15 Nm	23 Nm	23 Nm	10 Nm	18 Nm
+/- 10	+/- 10	+/- 10	+/- 10	+/- 10	+/- 10	+/- 10

Coppia di serraggio dei dadi di collegamento	
Diametro filettatura	Coppia di serraggio
4 mm (M4)	0,8-1,5 Nm
5 mm (M5)	3,0-4,0 Nm

Le candelette funzionano correttamente solo se vengono avvitate con le coppie giuste

Pares de apriete Bujías de encendido

Pares de apriete

Para montar correctamente una bujía se necesita una llave dinamométrica, puesto que incluso para los técnicos profesionales de los talleres resulta casi imposible calcular el par de apriete correcto.

Esto se debe a que los pares de apriete se calculan multiplicando dos dimensiones: la fuerza que se aplica sobre el punto de giro correspondiente y la longitud de la palanca.

La mayoría de los fallos que se producen en las bujías se deben a que el par de apriete es incorrecto. Si es demasiado bajo, las pérdidas de compresión podrían provocar un sobrecalentamiento. También se podría romper el aislador o el electrodo central a consecuencia de las vibraciones.

Si el par de apriete es demasiado alto, la bujía se podría romper. También la caja podría expandirse o torcerse. Las zonas de salida del calor se estropearían, los electrodos podrían sufrir sobrecalentamiento o fundirse y provocar una avería en el motor.

Material de la culata	Bujía de encendido con base plana (con junta)				Bujía de encendido con base cónica	
	Diámetro de la rosca				Diámetro de la rosca	
	18 mm	14 mm	12 mm	10 mm	18 mm	14 mm
Culata de fundición	35-45 Nm	25-35 Nm	15-25 Nm	10-15 Nm	20-30 Nm	15-25 Nm
Culata de aluminio	35-40 Nm	25-30 Nm	15-20 Nm	10-12 Nm	20-30 Nm	10-20 Nm

Los pares de apriete dependen del material de la culata y del diámetro de la rosca

Pares de apriete Bujías de incandescencia

El par de apriete correcto

Para garantizar el montaje correcto de un calentador se recomienda utilizar una llave dinamométrica, puesto que incluso para los técnicos profesionales de los talleres resulta casi imposible calcular el par de apriete correcto.

Esto se debe a que los pares de apriete se calculan a partir de dos

valores que se multiplican entre sí: la fuerza que se aplica sobre el punto de giro correspondiente y la longitud de la palanca.

Si se aplica un par de apriete incorrecto a una bujía se pueden producir pérdidas de la compresión. La parte cerámica de los calentadores de cerámica además podría romperse por efecto de las vibraciones.

Sobre todo, si se aplica un par de apriete demasiado grande podría reducirse el espacio anular entre la caja metálica y el tubo de incandescencia, provocando el sobrecalentamiento del calentador, que dejaría de funcionar.

!!!Siga las instrucciones del embalaje si se especifica un par o un ángulo de apriete en concreto!!!

Calentador metálico					Calentador de cerámica	
Diámetro de la rosca					Diámetro de la rosca	
M8	M9	M10	M12	M14	M8	M10
8,5 Nm	11 Nm	15 Nm	23 Nm	23 Nm	10 Nm	18 Nm
+/- 10	+/- 10	+/- 10	+/- 10	+/- 10	+/- 10	+/- 10

Pares de apriete de las tuercas de conexión	
Diámetro de la rosca	Par de apriete
4 mm (M4)	0,8-1,5 Nm
5 mm (M5)	3,0-4,0 Nm

Sólo cuando los calentadores están atornillados con el par de apriete correcto pueden funcionar correctamente

Aandraaimomenten bougies

Aandraaimomenten

Voor de vakkundige montage van een bougie is een draaimomentsleutel noodzakelijk. Want zelfs voor vakmensen uit een garage is het vrijwel onmogelijk om het aandraaimoment te schatten.

Dat komt doordat een aandraaimoment berekend wordt door twee grootheden met elkaar te vermenigvuldigen: de kracht, die op het betreffende draaipunt inwerkt en de lengte van de hendel.

Als een bougie uitvalt, is een verkeerd aandraaimoment meestal de oorzaak hiervan. Als het aandraaimoment te laag is, bestaat gevaar voor compressieverlies en oververhitting. Ook is een breuk van de isolator of de midden-elektrode denkbaar als gevolg van trillingen.

Als het aandraaimoment te hoog is, kan de bougie afbreken. Ook kan de behuizing uitzetten of zich verdraaien. De zones voor de warmteafleiding worden vernield, er bestaat gevaar voor oververhitting, samensmelten van de elektroden en zelfs motorschade.

Cilinderkop- materiaal	Bougie met vlakke zitting (met dichting)				Bougie met conische zitting	
	Schroefdraaddiameter				Schroefdraaddiameter	
	18 mm	14 mm	12 mm	10 mm	18 mm	14 mm
Gietijzeren kop	35-45 Nm	25-35 Nm	15-25 Nm	10-15 Nm	20-30 Nm	15-25 Nm
Aluminium kop	35-40 Nm	25-30 Nm	15-20 Nm	10-12 Nm	20-30 Nm	10-20 Nm

De aandraaimomenten zijn afhankelijk van het cilinderkopmateriaal en de Schroefdraaddiameter

Aandraaimomenten gloeibougies

Aandraaimomenten

Om een gloeibougie vakkundig te kunnen monteren, is het raadzaam om gebruik te maken van een draaimomentsleutel. Want zelfs voor vakmensen uit een garage is het vrijwel onmogelijk om het aandraaimoment te schatten.

Das komt doordat een aandraaimoment berekend wordt door twee grootheden met elkaar

te vermenigvuldigen: de kracht, die op het betreffende draaipunt inwerkt en de lengte van de hendel. Als een gloeibougie met een verkeerd aandraaimoment vastgedraaid wordt, kan compressieverlies ontstaan. Bij keramische gloeibougies is het bovendien ook mogelijk dat er

door trillingen een breuk in de keramiek ontstaat. Ook kan vooral het gebruik van een te groot aandraaimoment ertoe leiden dat de ringopening tussen de metalen behuizing en de gloeibuis samentrekt. In dit geval raakt de gloeibougie oververhit en valt uit.

! Volg deze instructie indien een specifiek aandraaimoment of een specifieke hoek op de verpakking wordt vermeld !!!

Metalen bougie					Keramische bougie	
Schroefdraaddiameter					Schroefdraaddiameter	
M8	M9	M10	M12	M14	M8	M10
8,5 Nm	11 Nm	15 Nm	23 Nm	23 Nm	10 Nm	18 Nm
+/- 10	+/- 10	+/- 10	+/- 10	+/- 10	+/- 10	+/- 10

Aandraaimoment van de aansluitmoeren	
Schroefdraad- diameter	Aandraai- moment
4 mm (M4)	0,8–1,5 Nm
5 mm (M5)	3,0–4,0 Nm

Alleen als de gloeibougies met het juiste aandraaimoment ingeschroefd worden, functioneren ze optimaal.

Binários Velas de ignição

O torque de aperto correcto para velas de ignição

Para a montagem correcta de uma vela de ignição é necessário usar uma chave dinamométrica. Porque mesmo o mecânico mais experiente é incapaz de "estimar" o torque de aperto.

Isto se explica pelo facto de o binário ser calculado a partir de dois valores que são multiplicados: A força, que actua no respectivo ponto rotativo, e o comprimento da alavanca.

A maior parte das falhas das velas de ignição resultam de um torque de aperto errado. Se este for demasiado baixo, existe o risco de perdas de compressão e de sobreaquecimento. Também é possível que aconteça uma quebra do isolador ou do eléctrodo central por causa das vibrações.

Por outro lado, ao escolher um binário demasiado alto, isto pode levar à ruptura da vela de ignição. A carcaça além disso pode ficar dilatada ou distorcida. As zonas de dissipação de calor ficam danificadas, existe o risco de fundição dos eléctrodos e, inclusive, de gripar o motor.

Material da colaça	Vela de ignição com assento plano (com junta)				Vela de ignição com assento cónico	
	Diâmetro da rosca				Diâmetro da rosca	
	18 mm	14 mm	12 mm	10 mm	18 mm	14 mm
Cabeça de ferro fundido	35-45 Nm	25-35 Nm	15-25 Nm	10-15 Nm	20-30 Nm	15-25 Nm
Cabeça de alumínio	35-40 Nm	25-30 Nm	15-20 Nm	10-12 Nm	20-30 Nm	10-20 Nm

O torque de aperto depende do material da colaça e do diâmetro da rosca

Binários Velas de incandescência

O torque de aperto correcto para a montagem de velas incandescentes

Para a montagem correcta de uma vela incandescente é recomendável usar uma chave dinamométrica. Porque mesmo o mecânico mais experiente é incapaz de "estimar" o torque de aperto.

Isto se explica pelo facto de o binário ser calculado a partir de dois valores que são multiplicados: A força, que actua no respectivo ponto rotativo, e o comprimento da alavanca.

Se a vela de incandescência for apertada com um torque de aperto errado podem surgir perdas de compressão. Por causa

das vibrações ainda é possível que aconteça uma quebra da cerâmica.

Um torque de aperto excessivo ainda pode provocar a compressão da folga do anel entre a carcaça metálica e o tubo incandescente. Neste caso, a vela de incandescência sobreaquece e avaria.

! Siga as instruções caso o par de aperto ou ângulo especificados sejam mencionados na embalagem!!!

Vela de Incandescência Metálica					Vela de Incandescência em Cerâmica	
Diâmetro da rosca					Diâmetro da rosca	
M8	M9	M10	M12	M14	M8	M10
8,5 Nm	11 Nm	15 Nm	23 Nm	23 Nm	10 Nm	18 Nm
+/- 10	+/- 10	+/- 10	+/- 10	+/- 10	+/- 10	+/- 10

Torque de aperto das porcas	
Diâmetro da rosca	Torque de aperto
4 mm (M4)	0,8-1,5 Nm
5 mm (M5)	3,0-4,0 Nm

As velas de incandescência só funcionam impecavelmente se forem apertadas com o torque de aperto correcto.

Ροπές σύσφιξης μπουζί

Η σωστή ροπή σύσφιξης των μπουζί

Για την τοποθέτηση ενός μπουζί σύμφωνα με τους κανόνες, απαιτείται η χρήση ενός ροπόκλειδου. Ακόμη και για τους επαγγελματίες των συνεργείων η "εκτίμηση" της ορθής ροπής σύσφιξης είναι σχεδόν αδύνατη. Αυτό έγκειται στο ότι η ροπή σύσφιξης υπολογίζεται από δύο μεγέθη, τα οποία πολλαπλασιάζονται μεταξύ τους: από τη δύναμη, η οποία επενεργεί στο αντίστοιχο σημείο περιστροφής και το μήκος του μοχλού.

Οι περισσότερες δυσλειτουργίες των μπουζί οφείλονται στη λανθασμένη ροπή σύσφιξης. Εάν επιλεχθεί πολύ μικρή, υπάρχει ο κίνδυνος απώλειας συμπίεσης και υπερθέρμανσης.

Είναι πιθανή, ακόμη και η ρήξη του μονωτήρα ή του κεντρικού ηλεκτροδίου, λόγω των κραδασμών.

Εφόσον η ροπή σύσφιξης επιλεχθεί πολύ ψηλή, μπορεί να προκληθεί αποκοπή του μπουζί. Ακόμη ενδέχεται να διασταλεί το περιβλήμα ή να συστραφεί. Οι ζώνες απαγωγής θερμότητας διαταράσσονται, παρουσιάζεται η απειλή υπερθέρμανσης και τήξης των ηλεκτροδίων, μέχρι και η πρόκληση ζημιάς στον κινητήρα.

Υλικό κυλινδροκεφαλής	Μπουζί με επίπεδη εφαρμογή (με στεγανοποίηση)				Μπουζί με κωνική εφαρμογή	
	Διάμετρος σπειρώματος				Διάμετρος σπειρώματος	
	18 mm	14 mm	12 mm	10 mm	18 mm	14 mm
Κεφαλή από χυτοσίδηρο	35-45 Nm	25-35 Nm	15-25 Nm	10-15 Nm	20-30 Nm	15-25 Nm
Κεφαλή από αλουμίνιο	35-40 Nm	25-30 Nm	15-20 Nm	10-12 Nm	20-30 Nm	10-20 Nm

Οι τιμές της ροπής σύσφιξης, εξαρτώνται από το υλικό της κυλινδροκεφαλής και τη διάμετρο σπειρώματος.

Ροπές σύσφιξης προθερμαντήρες

Η σωστή ροπή σύσφιξης για την τοποθέτηση των προθερμαντήρων

Για τη σύμφωνη με τις προδιαγραφές τοποθέτηση ενός προθερμαντήρα απαιτείται η χρήση ενός ροπόκλειδου. Ακόμη και για τους επαγγελματίες των συνεργείων η εκτίμηση της ορθής ροπής σύσφιξης είναι σχεδόν αδύνατη. Αυτό έγκειται στο ότι η ροπή σύσφιξης υπολογίζεται από δύο μεγέθη, τα οποία

πολλαπλασιάζονται μεταξύ τους: από τη δύναμη, η οποία επενεργεί στο αντίστοιχο σημείο περιστροφής και το μήκος του μοχλού. Εφόσον εφαρμοστεί στον προθερμαντήρα μία λάθος ροπή σύσφιξης, μπορεί να προκληθούν απώλειες συμπίεσης. Είναι πιθανό επίσης λόγω των ταλαντώσεων να σπάσει το κεραμικό υλικό στην περίπτωση των κεραμικών προθερμαντήρων

Επίσης μπορεί ιδιαίτερα με τη χρήση μίας πολύ μεγάλης ροπής σύσφιξης να προκληθεί το κλείσιμο της σχισμής δακτυλίου μεταξύ του μεταλλικού περιβλήματος και του σωλήνα πυράκτωσης. Σε αυτήν την περίπτωση υπερθερμαίνεται ο προθερμαντήρας και παύει να λειτουργεί.

! Εάν στη συσκευασία αναφέρεται συγκεκριμένη ροπή ή γωνία σύσφιξης, ακολουθήστε τις οδηγίες!

Μεταλλικός προθερμαντήρας					Κεραμικός προθερμαντήρας	
Διάμετρος σπειρώματος					Διάμετρος πειρώματος	
M8	M9	M10	M12	M14	M8	M10
8,5 Nm	11 Nm	15 Nm	23 Nm	23 Nm	10 Nm	18 Nm
+/- 10	+/- 10	+/- 10	+/- 10	+/- 10	+/- 10	+/- 10

Ροπές σύσφιξης των παξιμαδιών σύνδεσης	
Διάμετρος σπειρώματος	Ροπή σύσφιξης
4 mm (M4)	0,8-1,5 Nm
5 mm (M5)	3,0-4,0 Nm

Μόνο εφόσον βιδωθούν προθερμαντήρες με τη σωστή ροπή σύσφιξης, αυτοί λειτουργούν απρόσκοπτα

Buji torkları

Torklar

Bir bujinin usule uygun montajı için ayarlı tork anahtarı gereklidir. Çünkü usta oto servisçiler için bile sıkma torkunu tahmin etmek neredeyse imkansızdır. Bunun nedeni, sıkma torkunun birbiriyle çarpılan iki parametreden hesaplanmasıdır: ilgili döndürme noktasına etki eden kuvvet ve manivela kolunun uzunluğu.

Buji arızalarının çoğu yanlış sıkma torkundan kaynaklanır. Sıkma torku fazla küçük seçilirse sıkışma kayıpları ve aşırı hararet tehlikesi vardır. Ayrıca titreşimler sonucunda izolatörün ya da orta elektrodun kırılması da akla gelebilecek ihtimallerdir.

Sıkma torku fazla büyük seçilirse, bu durum bujinin kopmasına yol açabilir. Ayrıca gövde genişlenebilir ya da burulabilir. Isı iletim bölgeleri zedelenir, aşırı hararet ve elektrotların erimesi ve hatta motorun hasar görmesi tehlikesi vardır.

Silindir kapağı malzemesi	Basık tabanlı buji (sızdırmazlık elemanlı)				Konik tabanlı buji	
	Diş çapı				Diş çapı	
	18 mm	14 mm	12 mm	10 mm	18 mm	14 mm
Dökme demir kapak	35-45 Nm	25-35 Nm	15-25 Nm	10-15 Nm	20-30 Nm	15-25 Nm
Alüminyum kapak	35-40 Nm	25-30 Nm	15-20 Nm	10-12 Nm	20-30 Nm	10-20 Nm

Sıkma torkları silindir kapağının yapıldığı malzemeye ve vida diş çapına bağlıdır

Akkor buji torkları

Doğru sıkma torku

Bir kızdırma bujisinin usule uygun montajı için ayarlı tork anahtarı kullanılması tavsiye edilir. Çünkü usta oto servisçiler için bile sıkma torkunu tahmin etmek neredeyse imkansızdır.

Bunun nedeni, sıkma torkunun birbiriyle çarpılan iki parametreden hesaplanmasıdır:

ilgili döndürme noktasına etki eden kuvvet ve manivela kolunun uzunluğu.

Bir kızdırma bujisinde yanlış sıkma torku uygulanırsa, sıkıştırma kayıpları meydana gelebilir. Titreşimler nedeniyle ayrıca seramik kızdırma bujilerinde seramiğin kırılması mümkündür.

Fazla büyük bir sıkma torkunun kullanılması ayrıca metal muhafaza ile kızdırma borusu arasındaki halka aralığının büzülmesine yol açabilir. Bu durumda kızdırma bujisi aşırı ısınır ve devre dışı kalır.

! Belirtilen sıkma torku veya aç ambalajın üzerinde gösterilmişse lütfen talimatları izleyin !!!

Metal Tip Kızdırma Bujisi					Seramik Tip Kızdırma Bujisi	
Vida diş çapı					Vida diş çapı	
M8	M9	M10	M12	M14	M8	M10
8,5 Nm	11 Nm	15 Nm	23 Nm	23 Nm	10 Nm	18 Nm
+/- 10	+/- 10	+/- 10	+/- 10	+/- 10	+/- 10	+/- 10

Bağlantı somunlarının sıkma torkları	
Vida diş çapı	Sıkma torku
4 mm (M4)	0,8-1,5 Nm
5 mm (M5)	3,0-4,0 Nm

Kızdırma bujileri yalnızca doğru sıkma torklarıyla vidalanırsa, sorunsuz çalışırlar

Momenty dokręcenia świec zapłonowych

Momenty dokręcenia

Do fachowego montażu świecy zapłonowej konieczny jest klucz dynamometryczny. Ponieważ sami fachowcy warsztatowi nie są w stanie dokładnie ocenić momentu dokręcenia.

Wynika to z tego, że moment dokręcenia oblicza się na podstawie dwóch wielkości, które wzajemnie mnoży się: siły, która działa w danym punkcie obrotu oraz długości dźwigni.

Większość awarii świec zapłonowych spowodowanych jest błędnym momentem dokręcenia. Jeśli moment dokręcenia wybierze się za mały, może nastąpić utrata sprężenia i przegrzanie. Możliwe jest również pęknięcie izolatora lub elektrody środkowej na skutek drgań.

Jeśli moment dokręcenia wybierze się za duży, może dojść do zerwania świecy zapłonowej. Także korpus nie będzie mógł się rozciągnąć ani przekręcić. Strefy odpływu ciepła będą zakłócone, istnieje niebezpieczeństwo przegrzania i stopienia elektrod aż do uszkodzenia silnika.

Material głowicy silnika	Świeca zapłonowa z płaskim gniazdem (z uszczelką)				Świeca zapłonowa ze stożkowym gniazdem	
	Średnica gwintu				Średnica gwintu	
	18 mm	14 mm	12 mm	10 mm	18 mm	14 mm
Głowica żeliwna	35-45 Nm	25-35 Nm	15-25 Nm	10-15 Nm	20-30 Nm	15-25 Nm
Głowica aluminiowa	35-40 Nm	25-30 Nm	15-20 Nm	10-12 Nm	20-30 Nm	10-20 Nm

Momenty dokręcenia zależą od materiału głowicy silnika i średnicy gwintu

Momenty dokręcenia świec żarowych

Właściwy moment obrotowy

Do fachowego montażu świecy żarowej zaleca się stosowanie klucza dynamometrycznego.

Ponieważ sami fachowcy warsztatowi nie są w stanie dokładnie ocenić momentu dokręcenia.

Wynika to z tego, że moment dokręcenia oblicza się na podstawie dwóch wielkości, które

wzajemnie mnoży się: siły, która działa w danym punkcie obrotu oraz długości dźwigni.

Jeśli świecę żarową dokręci się niewłaściwym momentem obrotowym, może nastąpić utrata kompresji. Ze względu na drgania w przypadku ceramicznych świec żarowych możliwe jest również pęknięcie ceramiki.

Także szczególnie użycie zbyt dużego momentu dokręcenia może spowodować zmniejszenie się szczeliny pierścieniowej pomiędzy metalową obudową i rurką żarzenia. W takim przypadku nastąpi przegrzanie świecy żarowej i jej uszkodzenie.

! Stosować się do instrukcji, jeśli na opakowaniu podano moment dokręcania lub kąt!!!

Metalowa świeca żarowa					Ceramiczna świeca żarowa	
Średnica gwintu					Średnica gwintu	
M8	M9	M10	M12	M14	M8	M10
8,5 Nm	11 Nm	15 Nm	23 Nm	23 Nm	10 Nm	18 Nm
+/- 10	+/- 10	+/- 10	+/- 10	+/- 10	+/- 10	+/- 10

Moment dokręcenia nakrętek	
Średnica gwintu	Moment dokręcenia
4 mm (M4)	0,8–1,5 Nm
5 mm (M5)	3,0–4,0 Nm

Tylko wtedy, gdy świece żarowe dokręcone są właściwym momentem obrotowym, działają bez zarzutu.

Utahovací momenty zapalovacích svíček

Správný utahovací moment pro zapalovací svíčky

Pro správnou montáž zapalovací svíčky je potřebný momentový klíč. Dokonce i pro profesionála ze servisu je totiž téměř nemožný "odhad" utahovacího momentu.

To je dáno tím, že utahovací moment se vypočítá ze dvou veličin, které se vzájemně násobí: síly, která v daném bodu otáčení působí, a délky páky.

Většina výpadků zapalovacích svíček má příčinu ve špatném utahovacím momentu. Pokud je příliš malý, hrozí ztráta komprese a přehřátí. V důsledku vibrací může dojít i k prasknutí izolátoru nebo střední elektrody.

Pokud je utahovací moment příliš velký, může dojít k vytržení zapalovací svíčky. Také může dojít k protažení nebo deformaci těla. Negativně jsou ovlivněny zóny odvodu tepla, hrozí přehřátí a roztavení elektrod až poškození motoru.

Materiál hlavy válce	Zapalovací svíčka s plochým sedlem (s těsněním)				Zapalovací svíčka s kónickým sedlem	
	Průměr závitu				Průměr závitu	
	18 mm	14 mm	12 mm	10 mm	18 mm	14 mm
Litinová hlava	35-45 Nm	25-35 Nm	15-25 Nm	10-15 Nm	20-30 Nm	15-25 Nm
Hliníková hlava	35-40 Nm	25-30 Nm	15-20 Nm	10-12 Nm	20-30 Nm	10-20 Nm

Utahovací momenty jsou závislé na materiálu hlavy válce a průměru závitu

Utahovací momenty žhavicích svíček

Správný utahovací moment pro montáž žhavicích svíček

Pro správnou montáž žhavicí svíčky se doporučuje použití momentového klíče. Dokonce i pro profesionála ze servisu je totiž téměř nemožný odhad utahovacího momentu.

síly, která v daném bodu otáčení působí, a délky páky. Pokud se u žhavicí svíčky použije špatný utahovací moment, může to vést ke ztrátě komprese. Kvůli vibracím je u keramických žhavicích svíček navíc riziko prasknutí keramiky.

Zvláště také vynaložení příliš velkého utahovacího momentu vede ke stažení kruhové mezery mezi kovovým tělesem a žhavicí trubicí. V takovém případě se žhavicí svíčka přehřívá a dojde k jejímu výpadku.

To je dáno tím, že utahovací moment se vypočítá ze dvou veličin, které se vzájemně násobí:

! Prosím, následujte instrukce pokud je specifikována utahovací moment nebo úhel je uvedeno na obalu !!!

Kovových žhavicích svíček					Keramických žhavicích svíček	
Průměr závitu					Průměr závitu	
M8	M9	M10	M12	M14	M8	M10
8,5 Nm	11 Nm	15 Nm	23 Nm	23 Nm	10 Nm	18 Nm
+/- 10	+/- 10	+/- 10	+/- 10	+/- 10	+/- 10	+/- 10

Utahovací momenty přípojných matic	
Průměr závitu	Utahovací moment
4 mm (M4)	0,8–1,5 Nm
5 mm (M5)	3,0–4,0 Nm

Pouze žhavicí svíčky zašroubované se správným utahovacím momentem fungují bezchybně

Gyújtógyertyák nyomatókai

A gyújtógyertya szakszerű beszereléséhez ajánlott a nyomatókulcs használata. A meghúzási nyomatók megbecslése még a profi szerelők számára is közel lehetetlen.

Ez abból adódik, hogy a nyomatók két mennyiség szorzataként adódik: a mindenkori forgásponton ható erő és az erőkar hossza.

A legtöbb gyújtógyertya meghibásodást a hibás meghúzási nyomatók okozza. Ha túl alacsony, kompresszió veszteség és túlhevülés léphet fel. Előfordulhat a szigetelő vagy a közélektroda rezgés okozta törése is.

Ha túl magas, a gyertya elszakadhat. A ház is megnyúlhat ill. elcsavarodhat. Zavar keletkezik a hőelvezetés útjaiban, túlmelegedés és az elektródák leolvadása fenyeget, ami motorhibát okozhat.

Hengerfej anyaga	Gyújtógyertya sík ülékkel (tömítéssel)				Gyújtógyertya kúpos ülékkel	
	Menet átmérő				Menet átmérő	
	18 mm	14 mm	12 mm	10 mm	18 mm	14 mm
Öntöttvas fej	35-45 Nm	25-35 Nm	15-25 Nm	10-15 Nm	20-30 Nm	15-25 Nm
Alumínium fej	35-40 Nm	25-30 Nm	15-20 Nm	10-12 Nm	20-30 Nm	10-20 Nm

A meghúzási nyomatók függ a hengerfej anyagától és a menet átmérőjétől

Izzítógyertyák nyomatókai

Az izzítógyertya szakszerű beszereléséhez ajánlott a nyomatókulcs használata. A meghúzási nyomatók megbecslése még a profi szerelők számára is közel lehetetlen.

Ez abból adódik, hogy a nyomatók két mennyiség szorzataként adódik: a mindenkori forgásponton ható erő és az erőkar hossza.

A nem megfelelő nyomatókkal meghúzott izzítógyertyánál kompresszióvesztés léphet fel. A fellépő rezgések miatt, a kerámia gyertyáknál a törés veszélye is fennáll.

A túl nagy nyomatókkal történt meghúzás esetén a fém ház és az izzítócső közötti, kör alakú rész is összehúzódhat. Ez esetben a gyertya túlmelegszik és tönkremegy.

! Kérjük, kövesse az utasításokat, ha megadott nyomatók, vagy szög szerepel a csomagoláson!!!

Fém izzítógyertya					Kerámia izzítógyertya	
Menet átmérő					Menet átmérő	
M8	M9	M10	M12	M14	M8	M10
8,5 Nm	11 Nm	15 Nm	23 Nm	23 Nm	10 Nm	18 Nm
+/- 10	+/- 10	+/- 10	+/- 10	+/- 10	+/- 10	+/- 10

A csatlakozó anyag meghúzási nyomatókai	
Menet átmérő	Meghúzási nyomatók
4 mm (M4)	0,8–1,5 Nm
5 mm (M5)	3,0–4,0 Nm

Csak a megfelelő meghúzási nyomatókkal szerelt izzítógyertya működik kifogástalanul.

Моменты затяжки свечей зажигания

Крутящие моменты

Для компетентного монтажа свечи зажигания требуется динамометрический ключ. Поскольку даже для специалистов почти невозможно оценить момент затяжки.

Это связано с тем, что крутящий момент состоит из двух величин, умножаемых друг на друга: силы, воздействующей на соответствующий центр вращения и длины рукоятки.

Большинство поломок свечей зажигания происходит из-за неправильного момента затяжки. Если он будет слишком низким, возникнут потери компрессии и перегрев. Из-за вибрации может также сломаться изолятор или средний электрод.

Если крутящий момент будет слишком высоким, свеча зажигания может оторваться. Также может расширяться или деформироваться корпус. Нарушаются зоны теплоотведения, что чревато перегревом и оплавлением электродов, вплоть до поломки двигателя.

Материал головки цилиндра	Свеча зажигания с плоской посадкой (с уплотнением)				Свеча зажигания с конической посадкой	
	Диаметр резьбы				Диаметр резьбы	
	18 мм	14 мм	12 мм	10 мм	18 мм	14 мм
Чугунная головка	35-45 Нм	25-35 Нм	15-25 Нм	10-15 Нм	20-30 Нм	15-25 Нм
Алюминиевая головка	35-40 Нм	25-30 Нм	15-20 Нм	10-12 Нм	20-30 Нм	10-20 Нм

Крутящие моменты зависят от материала головки цилиндра и диаметра резьбы

Моменты затяжки свечей накаливания

Правильный крутящий момент

Для надлежащего монтажа свечи накаливания рекомендуется использовать динамометрический ключ. Поскольку даже для специалистов почти невозможно оценить момент затяжки.

Это связано с тем, что крутящий момент состоит из двух величин, умножаемых друг на друга: силы, воздействующей на соответствующий центр вращения и длины рукоятки.

Если свеча накаливания уста навливается посредством неправильного крутящего момента, это может привести к потере компрессии. Из-за

вибрации в керамических свечах накаливания может лопнуть керамика.

Применение слишком высокого момента затяжки может повлечь за собой сужение кольцевого зазора между металлическим корпусом и калильной трубкой. В этом случае свеча накаливания перегревается и выходит из строя.

! Пожалуйста, следуйте инструкциям, если момент затяжки или угол поворота указаны на упаковке!!!

Металлическая свеча накаливания					Керамическая свеча накаливания	
Диаметр резьбы					Диаметр резьбы	
M8	M9	M10	M12	M14	M8	M10
8,5 Нм	11 Нм	15 Нм	23 Нм	23 Нм	10 Нм	18 Нм
+/- 10	+/- 10	+/- 10	+/- 10	+/- 10	+/- 10	+/- 10

Моменты затяжки контактных гаек	
Диаметр резьбы	Момент затяжки
4 мм (M4)	0,8–1,5 Нм
5 мм (M5)	3,0–4,0 Нм

Только при правильном крутящем моменте свечи накаливания действуют исправно

SERIES



IGNITION
PARTS

Series of NGK SPARK PLUGS

NGK Zündkerzenserien

Series de bujías de encendido NGK


Séries des bougies NGK

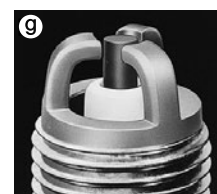
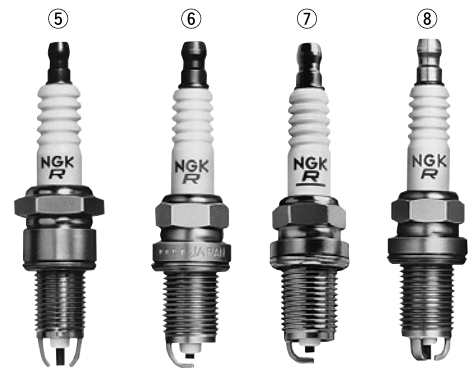
Typbeteckningar för NGK tändstift


STANDARD TYPES

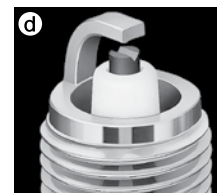
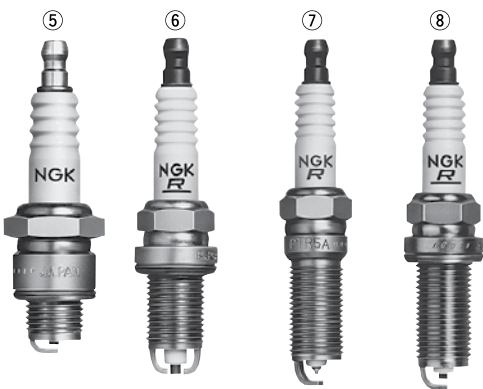
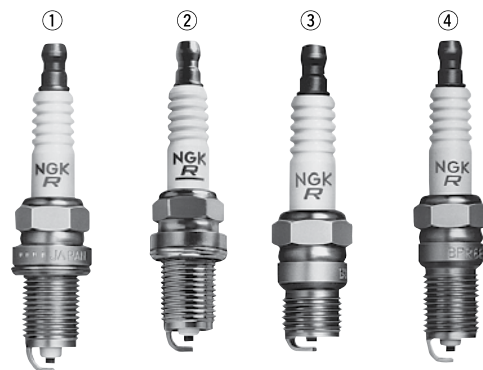
STANDARD AUSFÜHRUNGEN
TIPOS ESTANDARES


TYPES STANDARDS
STANDARDTYPER

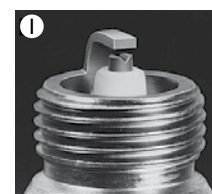
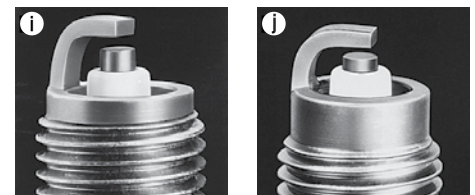
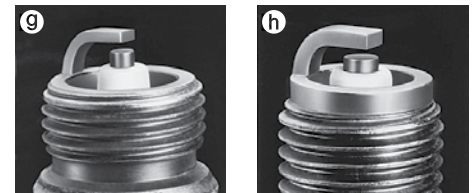
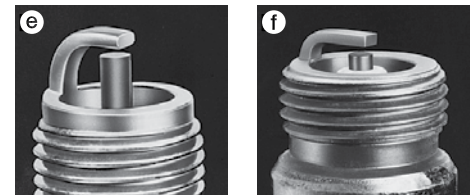
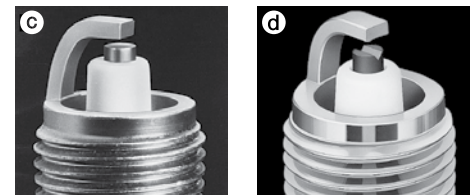
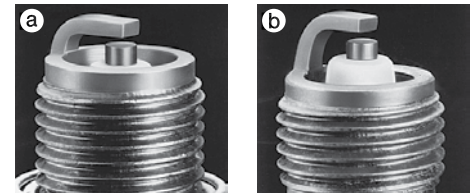
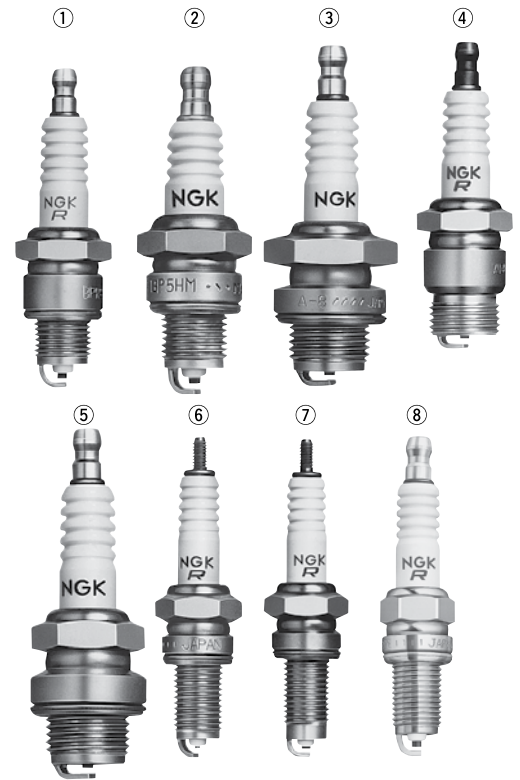
	NON-RESISTOR NON-RÉSISTANCE ICKERESISTOR	OHNE WIDERSTAND NO-RESISTOR	RESISTOR RÉSISTANCE RESISTOR	MIT WIDERSTAND RESISTOR				
\varnothing 14mm \times 9.5mm Hex 20.8mm Fig. ①(a)	B-2 B-4 B6S B7S B8S		BR6S					
					Fig. ①(c)	BP-4 BP5S BP6S		
\varnothing 14mm \times 19.0mm Hex 20.8mm Fig. ②(a)	B4ES B5ES B6ES,-11 B7ES,-11 B8ES B9ES B10ES		BR4ES BR5ES BR6ES,-11 BR7ES BR8ES,-11 BR9ES BR10ES					
					Fig. ②(b)		BR6EB-L-11	
					Fig. ②(h)		BR8EYA BR9EYA BR10EYA	
					Fig. ②(c)	BP2ES, BP-2E BP4ES,-11 BP5ES,-11,-13 BP6ES,-11 BP7ES,-11 BP8ES BP9ES	BP5ESZ BP6ESZ	BPR2ES, BPR-2E BPR4ES,-11,-13 BPR5ES,-11,-13 BPR6ES,-5,-11 BPR7ES,-11 BPR8ES,-6 BPR9ES
					Fig. ③(e)		BPR6EKN BPR7EKN	
					Fig. ②(f)	BP4EY,-11 BP5EY,-11 BP6EY,-11 BP7EY		BPR4EY,-11 BPR5EY,-11 BPR6EY,-11 BPR7EY-11
					Fig. ②(j)	BP5E BP6E		BPR4E,-11 BPR5E,-11 BPR6E,-11 BPR7E
					Fig. ④(g)	BP5ET,-10 BP6ET BP7ET		
					Fig. ⑤(i)			BPR5EJ
\varnothing 14mm \times 19.0mm Hex 16.0mm Fig. ⑥(c)	BCP4ES,-11 BCP5ES,-11 BCP6ES,-11 BCP7ES,-11		BCPR5ES,-11 BCPR6ES,-11 BCPR7ES,-11 BCPR9ES-11					
					Fig. ⑧(g)	BCP5ET BCP6ET BCP7ET	BCPR5ET BCPR6ET BCPR7ET	
					Fig. ⑥(a)	BC6ES	BCR8ES	
					Fig. ⑦(c)	BK5ES	BK5ESZ	BKR4ES-11 BKR5ES,-11 BKR6ES,-11 BKR7ES-11




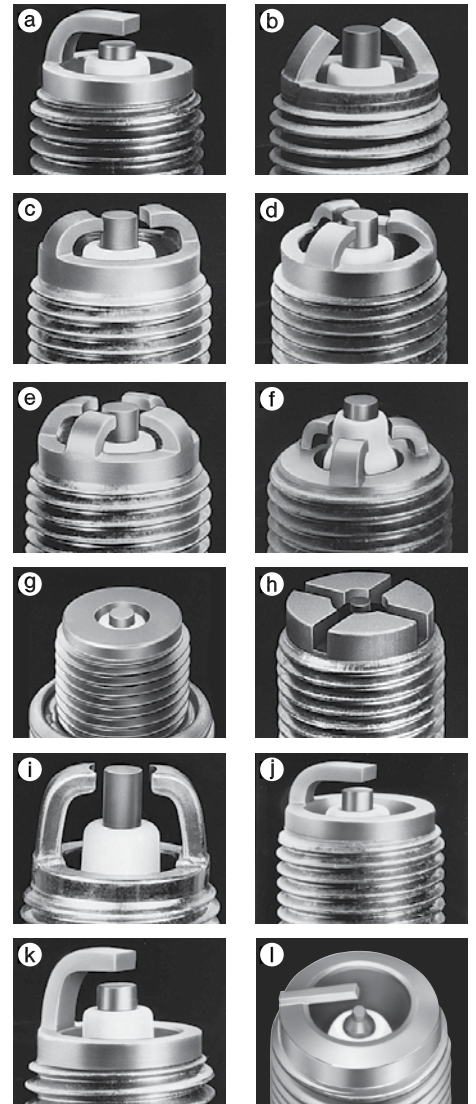
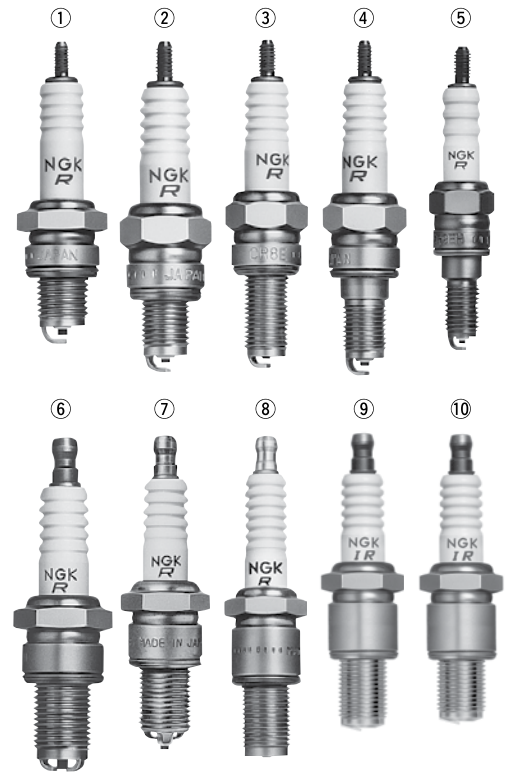
	NON-RESISTOR NON-RÉSISTANCE ICKERESISTOR	OHNE WIDERSTAND NO-RESISTOR	RESISTOR RÉSISTANCE RESISTOR	MIT WIDERSTAND RESISTOR
φ 14mm × 19.0mm Hex 16.0mm Fig. ①③			BCPR4EY-11 BCPR5EY,-11 BCPR6EY,-11,-N-11 BCPR7EY-11,-N-11	
	Fig. ②③ ISO		BKR4EY,-11 BKR5EY,-11 BKR5EYA,-11 BKR6EY,-11 BKR6EYA,-11 BKR7EY	
	Fig. ①④	BCP5E BCP6E,-11 BCP7E,-11	BCPR5E,-11 BCPR6E,-11 BCPR7E,-11	
	Fig. ②④ ISO	BK5E,-11 BK6E,-11	BKR4E,-11 BKR5E,-11,-N,-N-11 BKR5EZ BKR6E,-11-E,-N,-N-11 BKR6EZ BKR7E,-11,-N-11 BKR8E-11 FR6F-11DK FR6F-11K	
	Fig. ⑥⑦ ISO		BKR5EK BKR6EK	
Fig. ⑥⑧ ISO		BKR5EKB-11 BKR6EKB-11		
		BKR5EKC BKR6EKC,-N-11 BKR6EKE BKR7EKC,-N,-N-11		
φ 14mm × 26.5mm Hex 16.0mm Fig. ⑧④			LFR4A,-11 LFR4A-E LFR5A,-11 LFR6A,-11 LFR7A	
φ 14mm × 11.2mm Conical seat Hex 16.0mm Fig. ③①		B7FS	BR5FS BR6FS,-15	
	Fig. ③②	BP4FS BP5FS BP6FS BP7FS	BPR4FS,-11,-15 BPR5FS,-11,-15 BPR6FS	
	Fig. ③④	BP5F BP6F		
φ 14mm × 17.5mm Conical seat Hex 16.0mm Fig. ④①		B8EFS B9EFS	BR7EFS	
	Fig. ④⑤		BR6EF BR7EF	
	Fig. ④②	BP5EFS,-13 BP6EFS,-13 BP7EFS	BPR5EFS,-13 BPR6EFS,-13,-15 BPR7EFS-15	
	Fig. ④④	BP6EF	BPR6EF,-11,-13	
φ 14mm × 25.0mm Conical seat Hex 16.0mm Fig. ⑦②			TR5A-13 TR5B-13 TR6B-10	
φ 14mm × 11.2mm Hex 20.8mm Fig. ⑤①		B-4L B-6L B6LY (Fig. ⑤⑤)		




	NON-RESISTOR NON-RÉSISTANCE ICKERESISTOR	OHNE WIDERSTAND NO-RESISTOR	RESISTOR RÉSISTANCE RESISTOR	MIT WIDERSTAND RESISTOR	
\varnothing 14mm \times 12.7mm Hex 20.8mm Fig. ①(a)	B-2H B-4H,-10 B5HS B6HS,-10 B7HS,-10 B8HS,-10 B9HS B10HS		BR4HS BR5HS BR6HS,-10 BR7HS,-10 BR8HS,-10 BR9HS,-10 BZ7HS-10		
	Fig. ①(b)	BP2HS BP4HS,-10 BP5HS,-10 BP6HS,-10 BP7HS,-10 BP8HS,-10,-15	BP-2H BP-4H BP6H BP7H	BPR2HS BPR4HS,-10 BPR5HS BPR6HS,-10 BPR7HS,-10 BPR8HS,-10	BPR4HSA BPR-4H BP28H-N-10 BP28HS-10,-15
	Fig. ①(c)	BP4HA			
	Fig. ①(e)	B6HSA B8HSA		BR4HSA BR6HSA,-9 BR8HSA,-9	
\varnothing 18mm \times 12.0mm Hex 20.8mm Fig. ⑤(f)	AB-2 AB-6 AB-7 AB-8				
\varnothing 18mm \times 16.0mm Hex 25.4mm			R8102B-10		
\varnothing 12mm \times 19.0mm Hex 18.0mm Fig. ⑥(h)	D6EA D7EA D8EA D9EA D10EA		DR7EA DR7EB DR8EA DR8EB DR9EA		
	Fig. ⑥(i)	DP6EA-9 DP7EA-9 DP8EA-9 DP9EA-9	DPR5EA-9 DPR6EA-9 DPR6EB-9 DPR7EA-9 DPR8EA-9 DPR9EA-9		
	Fig. ⑥(h)	J9A	JR8B JR9B JR10B		
	Fig. ⑥(k)		JR8C JR9C		
\varnothing 12mm \times 21.0mm Hex 18.0mm Fig. ⑦(j)	DP8Z		DPR7Z DPR8Z DPR9Z		
\varnothing 12mm \times 19.0mm Hex 16.0mm Fig. ⑧(i)	DCPR6E DCP7E		DCPR6E DCPR7E,-N DCPR8E,-N DCPR9E	KR6A-10 KR8C-G KR9C-G	
	Fig. ⑧(m)			DCPR8EKC	
\varnothing 12mm \times 20.5mm Hex 16.0mm			KER7A-8DEG		
\varnothing 12mm \times 26.5mm Hex 16.0mm Fig. ⑧(b)			LKR6C LKR6E LKR6F-10 LKR7E		
\varnothing 12mm \times 25.0mm Hex 14.0mm			LNAR7A-9G		
\varnothing 12mm \times 26.5mm Hex 14.0mm Fig. ⑧(b)			LZKAR6C-9 LZKAR7D-9,-9D LKAR8A-9,-9S		



	NON-RESISTOR NON-RÉSISTANCE ICKERESISTOR	OHNE WIDERSTAND NO-RESISTOR	RESISTOR RÉSISTANCE RESISTOR	MIT WIDERSTAND RESISTOR
φ 12mm × 12.7mm Hex 18.0mm Fig. ①①	D6HA D8HA		DR4HS DR5HS DR6HS DR8HS	
φ 10mm × 12.7mm Hex 16.0mm Fig. ②①	C2H C5HSA C6HSA C7HSA C8HSA	C4HSB C5HSB	CR4HSA CR4HSB LR4C-E CR5HSA CR5HSB CR6HSA LR6E CR7HSA LR7D CR8HSA CMR8H LR8A LR8B	
φ 10mm × 19.0mm Hex 16.0mm Fig. ③①	C7E C8E C9E		CR6E CR6EB CR7E CR7EB CR8E CR8EB CR9E CR9EB CR10E	
Fig. ③①			CPR6EA-9S CPR7EA-9 CPR8E	
φ 10mm × 19.0mm Hex 16.0mm Fig. ④①	C8EH-9 C9EH-9		CR5EH-9 MR7C-9N MR7E-9 MR7F CR8EH-9 MR8C-9N MR8D-9 MR8E-9 MR8F CR9EH-9 MR9C-9N	
φ 10mm × 19.0mm Hex 16.0mm Fig. ③②			CR7EK CR7EKB CR8EK CR8EKB CR9EK CR9EKB CR10EK	
Fig. ③①			CR7EKC	
φ 10mm × 19.0mm Hex 14.0mm Fig. ⑤			MAR9A-J MAR8B-JDS MAR9B-JDS MAR10A-J	
φ 10mm × 26.5mm Hex 14.0mm Fig. ⑥			LMAR6A-9 LMAR6C-9 LMAR7A-9 LMAR7H-9DS LMAR8A-7,9,9S LMAR8F-9 LMAR8G	
Fig. ⑥			LMAR9D-J	
φ 8mm × 19.0mm Hex 13.0mm Fig. ⑤①			ER8EH, -N ER9EH, -N, -6N ER10EH	




FOR ROTARY ENGINE
FÜR WANKELMOTOR **POUR MOTEUR ROTATIF**
PARA MOTOR ROTATIVO **TÄNDSTIFT FÜR WANKELMOTORER**

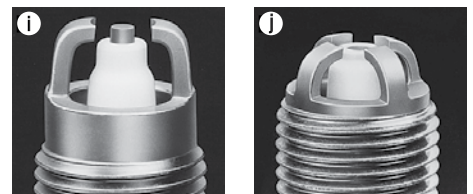
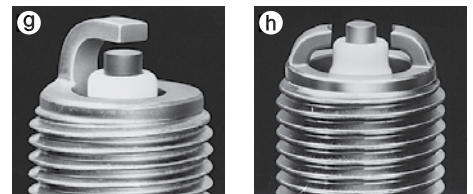
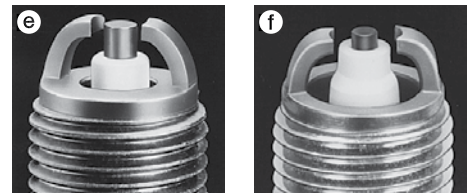
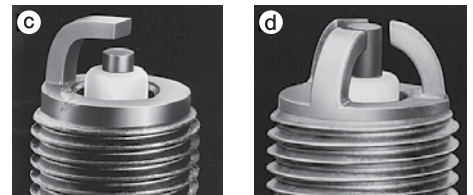
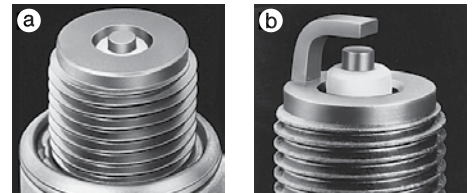
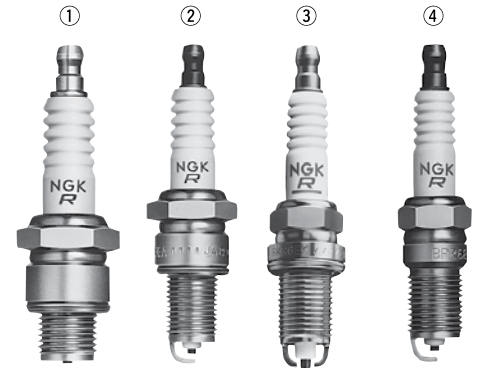
	NON-RESISTOR NON-RÉSISTANCE ICKERESISTOR	OHNE WIDERSTAND NO-RESISTOR	RESISTOR RÉSISTANCE RESISTOR	MIT WIDERSTAND RESISTOR
φ 14mm × 19.5mm Hex 20.8mm Fig. ⑥③	B7EM		BR8EM	
Fig. ⑥④			BR7ET BR8ET BR9ET BR10ET	
Fig. ⑥⑤			BR8EQ,-14 BR9EQ,-14	
φ 14mm × 21.5mm Hex 20.8mm Fig. ⑧⑨			SD10A SD11A	
Fig. ⑧⑧			BUR6EQ BUR7EQP BUR7EQ BUR8EQ BUR8EQ BUR9EQP BUR9EQ BUR9EQP	
φ 14mm × 21.0mm Hex 20.8mm Fig. ⑨			RE6C-L RE7C-L RE8C-L	
φ 14mm × 19.0mm Hex 20.8mm Fig. ⑩①			RE9B-T	



SEMI SURFACE DISCHARGE TYPES AND SUPPLEMENTARY GAP TYPE

HALBGLEITFUNKENTYPEN UND ZUSÄTZLICHER ABSTANDSTYP
 TYPE À DÉCHARGE SEMI-SURFACIQUE ET TYPE À ÉCARTEMENT SUPPLÉMENTAIRE
 TIPO DE DESCARGA DE MEDIA SUPERFICIE Y TIPO DE GALGA SUPLEMENTARIA
 STIFT MED SEMI-YTGNISTGAP OCH STIFT AV SUPPLEMENTÄR TYP

	NON-RESISTOR NON-RÉSISTANCE ICKERESISTOR	OHNE WIDERSTAND NO-RESISTOR	RESISTOR RÉSISTANCE RESISTOR	MIT WIDERSTAND RESISTOR
φ 14mm × 12.7mm Hex 20.8mm Fig. ①a	BU8H		BUZ8H	
φ 14mm × 19.0mm Hex 20.8mm Fig. ②b			BUR5EA-11 BUR6EA-11 BUR7EA-11	
φ 14mm × 19.0mm Hex 20.8mm Fig. ②c			BUR4EB-11 BUR5EB-11 BUR6EB-11 BUR7EB-11	
Fig. ②d			BUR5ET,-10 BUR6ET	
φ 14mm × 19.0mm Hex 20.8mm Fig. ③e			BPR6EK-A	
Fig. ③f			BPR5EKU	
φ 14mm × 17.5mm Conical seat Hex 16.0mm Fig. ④g	BU6EFSZ		BUR6EFSZ	
φ 14mm × 19.0mm Hex 16.0mm Fig. ⑥e ISO			BKUR6EK,-9 BKUR7EK	
Fig. ⑤d ISO			BKUR5ET,-10 BKUR5ETZ-10 BKUR6ET,-10 BKUR6ETB BKUR7ET	
Fig. ⑥f ISO	BK7EKU		BKR5EKU BKR6EKU BKR7EKU	
Fig. ⑥h ISO			BKR6EKUE	
φ 14mm × 22.0mm Hex 16.0mm Fig. ⑦i			BKR5EKUC BKR6EKUC	
φ 14mm × 19.0mm Hex 16.0mm Fig. ⑥j			BKR6EQUA	




PROJECTED GAP TYPES

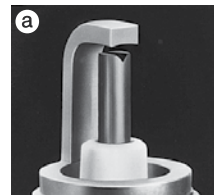
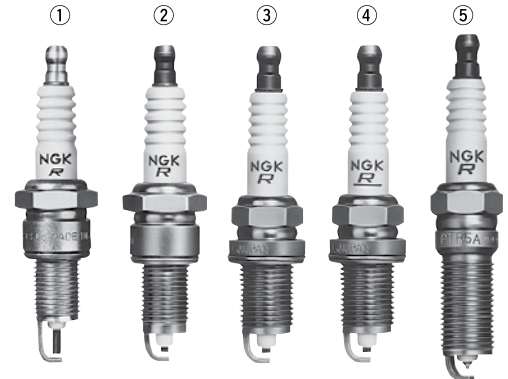
ZÜNDKERZEN MIT VORSRINGENDER FUNKENSTRECKE

TYPE À ÉCARTEMENT EN SAILLIE

TIPOS DE ABERTURA DE CHISPA PROYECTADA

STIFT MED FÖRLÅNGDA ELEKTRODER

	NON-RESISTOR NON-RÉSISTANCE ICKERESISTOR	OHNE WIDERSTAND NO-RESISTOR	RESISTOR RÉSISTANCE RESISTOR	MIT WIDERSTAND RESISTOR
φ 14mm × 19.0mm Hex 20.8mm Fig. ① a	BE529Y-11		BRE527Y-11 BRE529Y,-11	
			ZGR4A ZGR5A	
φ 14mm × 20.5mm Hex 20.8mm Fig. ② b			ZGR5B,-11 ZGR6B-11	
φ 14mm × 22.0mm Hex 20.8mm Fig. ② c			ZGR5C	
φ 14mm × 19.0mm Hex 16.0mm Fig. ③ b	ZF6A-11		ZFR5A-11 ZFR6A-11	
			ZFR4F-11 ZFR5F,-11 ZFR5J-11 ZFR6F-11,G ZFR6J-11 ZFR7F-11 ZFR7J-11	
			BCRE527Y	
φ 14mm × 20.5mm Hex 16.0mm Fig. ③ e			ZFR6K-9E,-11S	
			ZFR5G ZFR6G	
φ 14mm × 22.5mm Hex 16.0mm Fig. ③ c			ZFR4E-11 ZFR5E-11 ZFR6E-11	
	Fig. ③ d		ZFR5D-11	
φ 14mm × 25.0mm Conical seat Hex 16.0mm Fig. ⑤ b			LZTR4A-11 LZTR5A-13	
φ 12mm × 19.0mm Hex 16.0mm			ZKR7A-10	
φ 12mm × 21.5mm Hex 16.0mm			ZKER6A-10DEG,-10EG	
φ 12mm × 26.5mm Hex 16.0mm			LZKR6B-10E	
φ 12mm × 26.5mm Hex 14.0mm			LZKAR6C-11	
φ 12mm × 26.3mm Bi-Hex 14.0mm			ZKBR7A-HTU	



SLANT GROUND ELECTRODE TYPE

SCHRÄGER MASSENELEKTRODENTYP

TYPE À ÉLECTRODE DE MASSE À INCLINAISON


TIPO DE ELECTRODO DE MASA INCLINADO

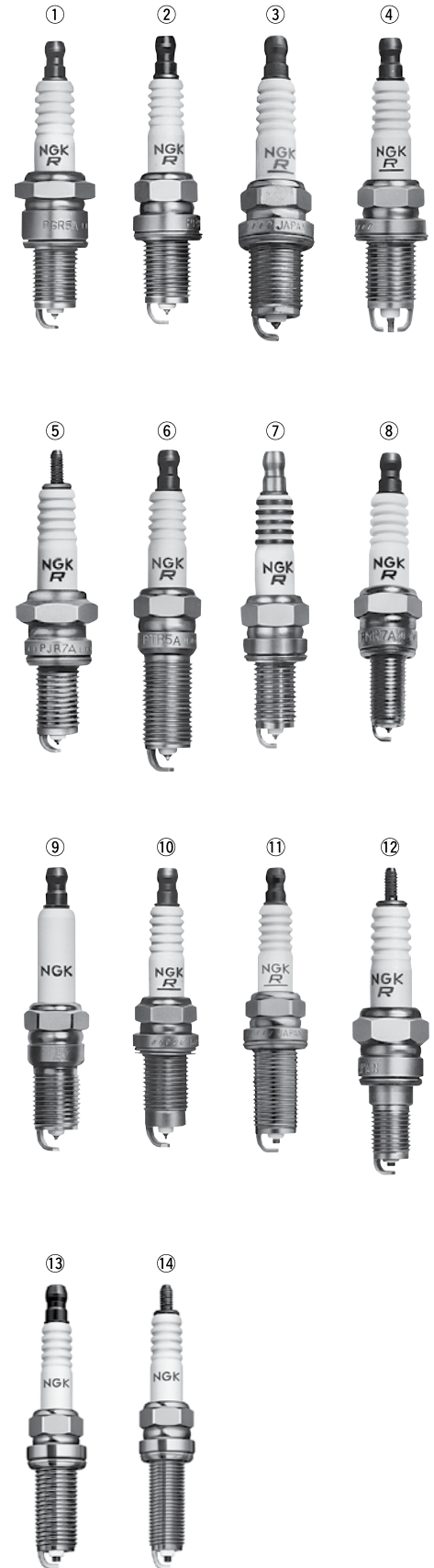
STIFT MED VINKLAD SIDOELEKTROD


φ 14mm × 12.7mm Hex 20.8mm Fig. ⑥ f	B7HCS B8HCS B9HCS	BR8HCS-10
φ 14mm × 19.0mm Hex 20.8mm Fig. ⑦ f	B7ECS B8ECS B9ECS	BR8ECS BR9ECS BR10ECS
		BR8ECM BR9ECM BR10ECM

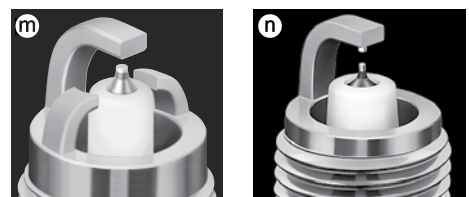
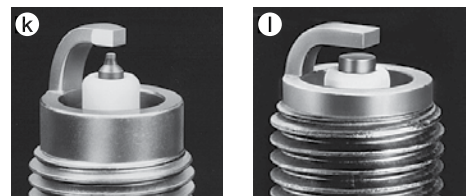
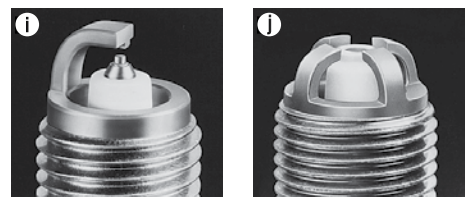
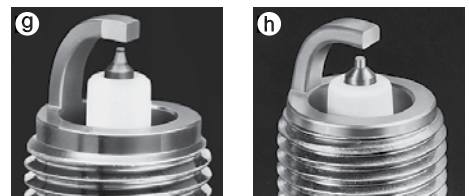
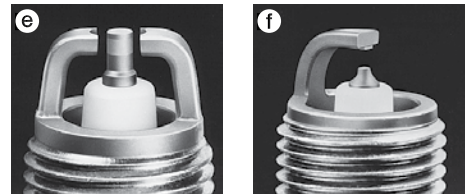
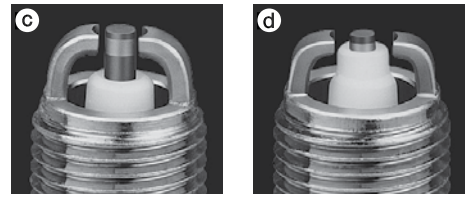
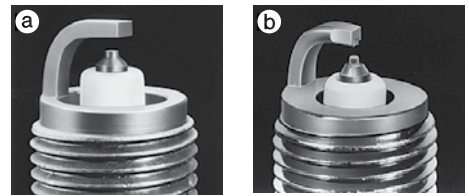



PLATINUM, IRIIDIUM TIPPED TYPES
TYPEN MIT PLATINELEKTRODENSPITZE, IRIIDIUMSPITZE
TYPE[S] A EXTREMITE EN PLATINE, IRIIDIUM
TIPOS CON PUNTA DE PLATINO, IRIIDIO
STIFT MED MITTELEKTRODANDA AV PLATINA OCH IRIIDIUM

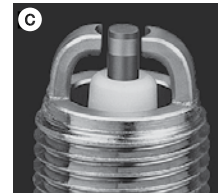
	RESISTOR RÉSISTANCE RESISTOR	MIT WIDERSTAND RESISTOR
φ 14mm × 19.0mm Hex 20.8mm Fig.①①	PGR5A,-11 PGR5C-11 BPR5EP-11,-13 PGR6A,-11 PGR6C-11 BPR6EP-8 PGR7A 125CX 126CX IGR7A	
φ 14mm × 19.0mm Hex 20.8mm Fig.①①h	IGR5C13 GR7CI-8	
φ 14mm × 19.0mm Hex 16.0mm Fig.②a	PFR5A-11 PFR5K-11 BCPR5EP-8,-11,-13 PFR6A-11 PFR6H-10 PFR6K-11 BCPR6EP-8,N-8,-11,-N-11,-13 PFR7A-11 PFR7H-10	
Fig.③h ISO	FR4AP-10,-11 FR4BP-11 FR5AP-10,-11 FR5BP-11 FR5AP-11E FR6AP-10,-11 FR6BP-11 FR7AP-11 115CX 116CX 136CX FR5EI-13 PFR5B-9,-11,-11B PFR5C-11 PFR6B,-9,-11,-11B,-11C PFR6E-10 PFR7B,-9,-11 PFR8B,-9 PFR4G-11 PFR5J-11 PFR5G-11,-13E PFR6J,-11 PFR6G,-9,-11,-13,-13E PFR6H-10 PFR6J,-11 PFR7G,-9,-11 PFR7S11EG PFR5L-11 PFR5N-11,8DS PFR5P-11 PFR6L-11,-13 PFR6N-11 PFR6P-11 PFR6Q PFR7N-D PFR7Q PFR5R-11 BKR5EP-11 BKR6EP-8,-11,-13,-N-8	
Fig.④c ISO	BKR6EKPA	
Fig.④d ISO	BKR5EKUP	
Fig.④e ISO	BKR5EKPB-11,-13 BKR6EKPB-11	
Fig.④j ISO	BKR5EQUPA BKR6EQUP BKR6EQUPA	
Fig.③f ISO	PFR6M PFR6X-11 PFR7M PFR7S8EG	
Fig.③g ISO	PZFR5B PZFR5F,-11 IZFR5B IZFR5F11 IZFR5G IZFR5L11 PZFR6B PZFR6F,-11 IZFR6B IZFR6F11 SIFR6B7G T6728R T6728U-G035	
Fig.③h ISO	IFR5A11,-8N IFR5D10 IFR5E11 IFR6A11 IFR6C IFR6D10 IFR6E11 IFR6AD7DG IFR6AE11S IFR7F-D IFR7B4D IFR8AF4D IFR8AG8 IFR5G11 IFR5J11 IFR5N10 IFR5T-8N,11 IFR6J11 IFR6S IFR6T11 IFR7X7G	
Fig.③	PZFR6H IZFR6J IZFR6N-E IZFR6Q	
Fig.③m	PFR6W-TG	
Fig.③n	DIFR5E11 DF6A-13B DIFR6D11D DIFR6D13 ZFR5LP-13G IZFER7A4D 11G-55	
φ 14mm × 21.5mm Hex 16.0mm	PZFR6R,8EG	
φ 14mm × 22.0mm Hex 16.0mm Fig.⑩k ISO	PZFR5C PZFR5D-11 IZFR5C IZFR7E-D	
φ 14mm × 22.5mm Hex 16.0mm	135CX	
φ 14mm × 25.0mm conical seat Hex 16.0mm Fig.⑥h	PTR5A-13 ILTR5D	



	RESISTOR MIT WIDERSTAND RÉSISTANCE RESISTOR RESISTOR
φ 14mm × 17.5mm conical seat Hex 16.0mm Fig. ⑨①	PTR4B-15 PTR5C-13 ITR4A15 ITR6F13
φ 14mm × 17.5mm conical seat Hex 16.0mm Fig. ③⑧ Fig. ⑨⑨	ITR5H13 PTR5D-10,-13 TR5AI-13 TR5AP-13 ITR6G9 PTR6D-13,-13G ITR7J9D PZTR5A-15
φ 14mm × 20.5mm Hex 16.0mm Fig. ③⑫	IZFR6K11,11E,13 IZFR6K-11S,IZFR6K11NS PZFR7G-G
φ 14mm × 21.5mm Hex 16.0mm Fig. ⑭	PZFR5N-11T
φ 14mm × 22.0mm Hex 16.0mm Fig.	PZFR6J-11
φ 14mm × 26.5mm Hex 16.0mm Fig. ⑪	PLFR4A-11 PLFR5A-9,-11 ILFR5T11 ILFR5B11 DILFR5A11 DILFR5C11 DILFR5E11 DF5B-8A DILFR5L11 ILZFR5E8D LZFR5CI-11 PLFR6A-9,-11 ILFR6T11 ILFR6K8 ILFR6G,-E SILFR6A11 DILFR6D11D DILFR6L11 PLFR7A-9 DILFR7K9G ILFER7A8EG SILZFR7A9G PLZFR6A-11S ILZFR6A11 DILFR7B10G 155CX 156CX
φ 14mm × 28.0mm Hex 16.0mm Fig. ⑪	LZFR5BI-11 LZFR5DI-11 LZFR6AI
φ 14mm × 29.5mm Hex 16.0mm Fig. ⑪①	LZFR5AQP
φ 14mm × 25.0mm conical seat Hex 16.0mm	PLZTR4A-13 PLZTR5A-13 ILTR5A-13G ILTR5P11D LTR5BI-13 LTR6AP-11 ILTR6A-8G,-13G ILTR6J13 ILTR6M9G LTR6AI-8 LTR6BI-13 LTR6BI-9 LTR6DI-8 LTR6DP13 ILTR7E9D ILTR7J8 ILTR7N8 ILTR7Q9 LTR7CP13
φ 12mm × 19.0mm Hex 18.0mm Fig. ⑤⑧	PJR6A PJR7A IJR7A9 PJR8A
φ 12mm × 19.0mm Hex 16.0mm	IKR6G8 IKR7H8 IZKR8C10D SIKR8B7G IKR9H8 IKR9J8 147CX
φ 12mm × 19.0mm Hex 16.0mm Fig. ⑦①	PKR7A PKR9B KR7AI KR8AI KR9CI IKR6G11 IKR9F8
φ 12mm × 19.0mm Hex 16.0mm Fig. ⑦②	DCPR8EKP
φ 12mm × 20.5mm Hex 16.0mm	IKER7A8EGS ZKR7BI-10 PKER7A8EGS PKER7A8DES
φ 12mm × 21.5mm Hex 16.0mm	PZKER7B8EGS
φ 12mm × 22.0mm Hex 16.0mm	IZKR7A
φ 12mm × 26.5mm Hex 16.0mm	ILKR6F11 ILZKR6F11 SILKR6C10E SILKR6D10G ILKR7D8 ILKR7J8 ILKR7K8 ILKR7L8G ILZKR7D8 ILZKR7E10DG LKR7F1-8 SILKR7C8DE SILZKR7E11 SILZKR7E8EG SILZKR7E9 SILZKR7E9G SILZKR7G8DE ILKR8M5D ILKR8P8 SILZKR8E8D SILZKR8E8G ILKR9G8 ILKR9H8 HKS-G40XL
Fig. ⑩	DILKR7E11
Fig.	
φ 12mm × 28.0mm Hex 16.0mm	DILZKR7B11G ILZKR7G7G
φ 12mm × 29.0mm Hex 16.0mm	SILZKKER8A8E
φ 12mm × 25.0mm Hex 14.0mm	SILZNR6D9 SILNAR7B7 SILNAR7C7DG ILNAR8B7G ILZNR8B7G SILNAR8A7
φ 12mm × 26.5mm Hex 14.0mm	ILKAR7L11 ILKAR7L11D ILKAR7M10 ILZKAR7D11 LKAR7CI-8 ILKAR8H6 LKAR8CI-8 SILKAR8C6DG SILKAR8C6DS SILKAR8D6 SILKAR8E4DG SILKAR8F8 SILZKAR8D4D SILZKFR8B7S SILZNR8C7H HKS-M50HL
Fig. ⑬④	LKAR8AP7JD LKAR8AP7JDS
Fig. ⑬⑤	DILKAR7B8 DILKAR7G11DS DILKAR7H11GS DILKAR7M8 DILZKAR7B11 DILKAR8J9G DILKAR8K8D DILKAR8L8D
Fig. ⑬	




	RESISTOR MIT WIDERSTAND RÉSISTANCE RESISTOR RESISTOR
φ 12mm × 27.0mm Hex 14.0mm	SILZKFR8C7S SILZKFR8D7S
φ 12mm × 27.5mm Hex 14.0mm	SILZKFR8E7S
φ 12mm × 28.0mm Hex 14.0mm Fig. (k)	DILZKAR7C11S ILZKAR7E11S ILZKAR8F8S ILZKAR8G8 ILZKAR8H8S ILZKAR8J8SY ILZKAR8A7G SILZKAR8F7S
φ 12mm × 28.5mm Hex 14.0mm Fig. (n)	DILKA7E9HS
φ 10mm × 19.0mm Hex 16.0mm Fig. (8) ①	CR9EBI-9
Fig. (8)	MR8CI-8 SIMR7B9DS
Fig. (8) (c)	MR8BI-8
φ 10mm × 19.0mm Hex 16.0mm Fig. (12)	
φ 10mm × 22.0mm Hex 16.0mm	MR8BP8HJS
φ 10mm × 26.5mm Hex 14.0mm Fig. (14)	ILMAR7B8 LMAR7CI-8 SILMAR7D9DS ILMAR8C9D LMAR8AI-8E LMAR8BI-9 SILMAR8C9 SILMFR8A8G SILMAR9B9
φ 10mm × 26.5mm Hex 14.0mm Fig. (d)	LMAR9AP8JS
φ 12mm × 26.5mm Bi-Hex 14.0mm	ILZKBR7B8DG PLZKBR7B8DG SILZKBR8B8HG SILKGR9A7EG
φ 12mm × 27.5mm Bi-Hex 14.0mm	SILZKBR8D8S SILZKBR8E8S SILZKGR8A8S SILZKGR8B8S
φ 12mm × 28.0mm Bi-Hex 14.0mm	SILZKG8D7E
φ 12mm × 28.5mm Bi-Hex 14.0mm	SILZKBR8F8S SILZKGR8C8S

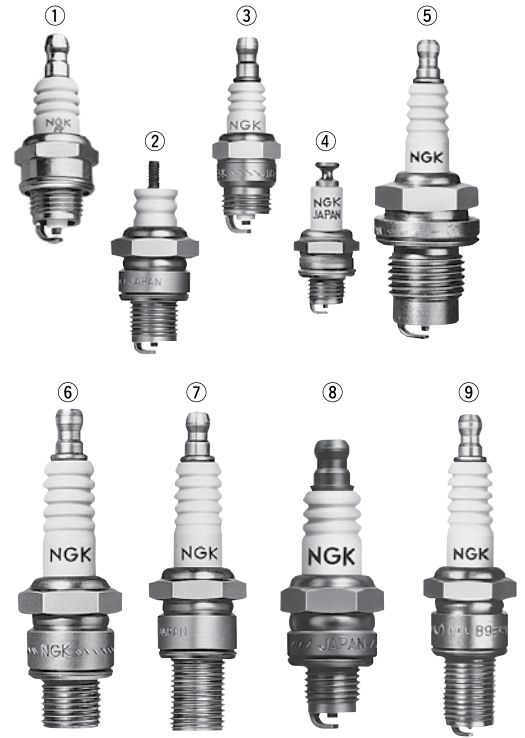


COMPACT TYPES

KOMPAKT STIFT
TIPOS COMPACTOS

TYPES COMPACTES
KOMPACTE TYPEN

	NON-RESISTOR NON-RÉSISTANCE ICKERESISTOR	OHNE WIDERSTAND NO-RESISTOR	RESISTOR RÉSISTANCE RESISTOR	MIT WIDERSTAND RESISTOR
φ 18mm × 16mm Hex 25.4mm	R8160B-10			
φ 14mm × 9.5mm Hex 19.0mm Fig. ①a	BM4A BM6A BM7A	B2-LM* B4-LM* BM6* BM7* *Hex.20.8mm	BMR2A,-10 BMR4A BMR6A BMR7A	BR2-LM* BR4-LM* *Hex.20.8mm
Fig. ①b	BPM4A BPM6A,-10 BPM7A		BPMPR4A,-10 BPMPR6A,-10 BPMPR7A,-9	
φ 14mm × 12.7mm Hex 20.8mm Fig. ②a	BL-6H			
φ 14mm × 7.8mm Conical seat Hex 16.0mm Fig. ③a	BM6F BM7F	BM6FY	BMR6F	
Fig. ③b	BPM6F BPM7F		BPMPR6F	
φ 10mm × 8.6mm Hex 14.0mm Fig. ④a	CM-6			
φ 10mm × 9.5mm Hex 16.0mm Fig. ⑧a			CMR6A CMR7A	
φ 10mm × 12.7mm Hex 16.0mm Fig. ⑧e			CMR5H CMR6H CMR7H	
φ 14mm × 9.5mm Hex 19.0mm Fig. ①c	BPM6Y BPM7Y BPM8Y		BPMPR6Y BPMPR7Y BPMPR8Y	



FARM EQUIPMENT TYPES

LANDMASCHINEN TYPEN
TIPOS MÁQUINAS AGRICOLAS

TYPES MACHINES AGRICOLES
FÖR JORDBRUKS-MASKINER

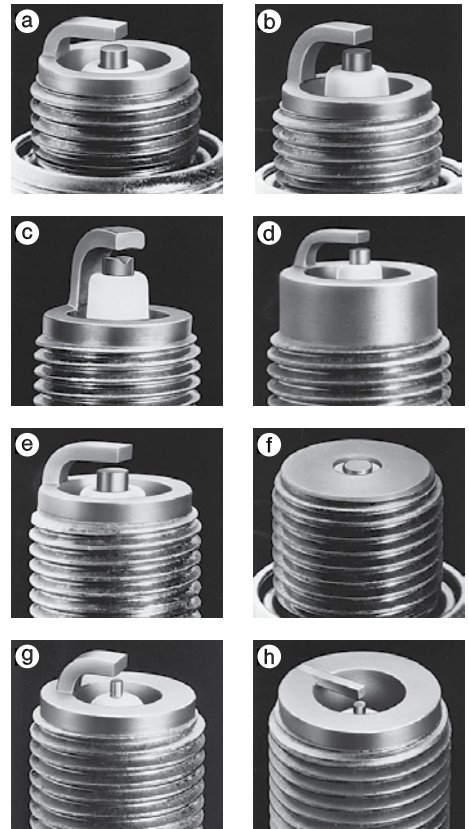
PF1/2" × 22.5mm Hex 23.8mm Fig. ⑤d	G-27 G-2Z
--	----------------------------

SURFACE DISCHARGE TYPES

GLEITFUNKENTYPEN
TIPO DESCARGA EN SUPERFICIE

TYPE À DÉCHARGE SUPERFICIELLE
TÅNDSTIFT MED YTGNISTGAP


φ 14mm × 12.7mm Hex 20.8mm Fig. ⑥f	BUHX(Series gap) BUHXW-1(Series gap)	
	BUH	
	BUHW BUHW-2	BUZH BUZH-2
φ 14mm × 19.0mm Hex 20.8mm Fig. ⑦f	BUE	



RACING TYPES

RENN-TYPEN
TIPOS DE CARRERAS


TYPES COURS
RACERSTIFT

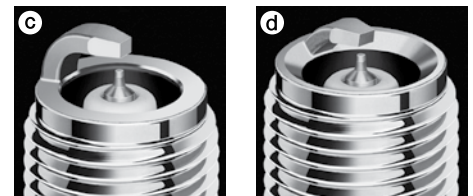
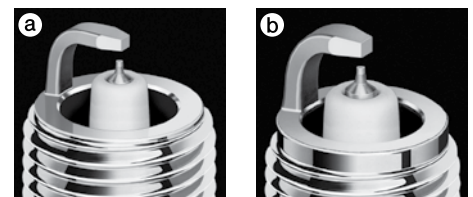
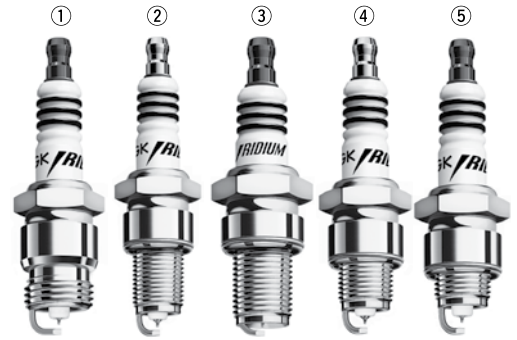
	Nickel electrode Nickel Elektrode Electrodo de nickel Electrodo de níquel Nickel elektrod	Precious metal electrode Elektrode mit sonde-redel metall Electrode en metal précieux Electrodo de metal precioso Ädelmetall elektrod	Platinum electrode Platinel Ektrode Electrodo de platine Electrodo de platino Platina elektrod
φ 14mm × 19.0mm Hex 20.8mm	B8EG Fig. ⑨g B9EG Fig. ⑨g B10EG Fig. ⑨g B11EG Fig. ⑨g	BR8EG* Fig. ⑨g BR9EG* Fig. ⑨g BR10EG* Fig. ⑨g BR11EG* Fig. ⑨g	B8EGV Fig. ⑨h B85EGV Fig. ⑨h B9EGV Fig. ⑨h B95EGV Fig. ⑨h B10EGV Fig. ⑨h B105EGV Fig. ⑨h B11EGV Fig. ⑨h
*Resistor Type			B10EGP



IX TYPES


IX TYPEN TYPES IX
TIPOS IX IX-STIFT

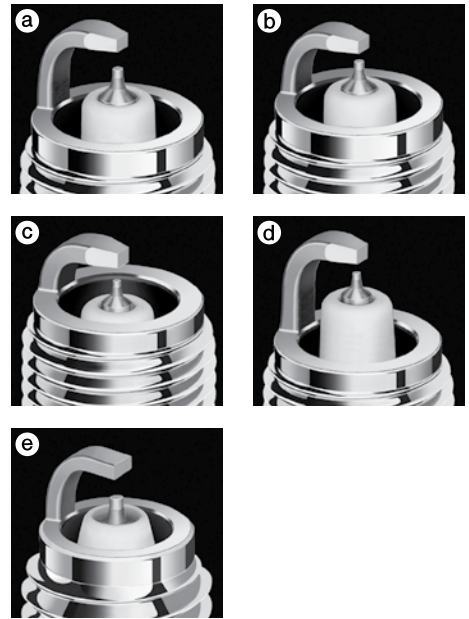
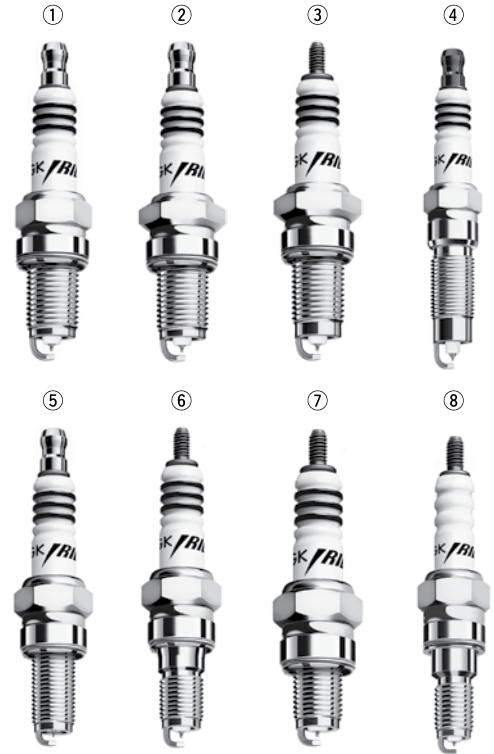
	RESISTOR RÉSISTANCE RESISTOR	MIT WIDERSTAND RESISTOR
φ 18mm × 10.9mm Hex 20.8mm Fig. ① a	WR5IX	
φ 14mm × 19.0mm Hex 20.8mm Fig. ② b	GR4IX GR5IX	
	BPR5EIX , -11 BPR6EIX , -11 BPR7EIX BPR8EIX BPR9EIX BPR10EIX	
	Fig. ② c	BR7EIX BR8EIX BR9EIX BR10EIX
	Fig. ② d	BR8ECSIX BR9ECSIX , -5
φ 14mm × 12.7mm Hex 20.8mm Fig. ④ b	BR8ECMIX BR9ECMIX BR10ECMIX	
	Fig. ④ c	BPR6HIX BPR7HIX BPR8HIX
φ 14mm × 9.5mm Hex 20.8mm Fig. ⑤ a	BR6HIX BR7HIX BR8HIX BR9HIX BR10HIX	
	XR4IX XR5IX XR45IX	
φ 14mm × 19.0mm Hex 16.0mm Fig. ⑥ b	BCPR7EDIX	
	Fig. ⑦ b	BCPR5EIX , -11 BCPR6EIX , -11 BCPR7EIX , -11
	Fig. ⑧ b	BKR4EIX BKR5EIX , -11 BKR6EIX , -11 BKR7EIX , -11 BKR8EIX BKR9EIX
Fig. ⑧ e	ZFR5FIX -11 ZFR6FIX -11	
φ 14mm × 26.5mm Hex 16.0mm Fig. ⑨ b	LR5AIX -11 LR6AIX -11 LR7AIX	
	LKR6AIX LKR7AIX	LKR6AIX -P LKR6CIX
φ 14mm × 17.5mm Conical seat Hex 16.0mm Fig. ⑩ b	BPR6EFIX -10, -15	
	Fig. ⑩ a	TR4IX TR5IX TR6IX TR7IX TR8IX
φ 14mm × 20.5mm Conical seat Hex 16.0mm Fig. ⑪ e	TR55IX TR65IX TR75IX TR85IX	TR45-1IX TR55-1IX
	YR5IX YR55IX	
φ 14mm × 11.2mm Conical seat Hex 16.0mm Fig. ⑫ c	BR6FIX	
	Fig. ⑫ a	UR4IX UR5IX UR6IX
φ 14mm × 25.0mm Conical seat Hex 16.0mm Fig. ⑬ b	UR45IX UR55IX	
	Fig. ⑬ e	LTR5IX -11 LTR6IX -11 LTR7IX -11
φ 14mm × 25.0mm Conical seat Hex 16.0mm Fig. ⑬ b	LZTR4AIX -11 LZTR5AIX -13 LZTR6AIX -13 LZTR7AIX -13	



IX TYPES

IX TYPEN TYPES IX
TIPOS IX IX-STIFT

	RESISTOR RÉSISTANCE RESISTOR	MIT WIDERSTAND RESISTOR
φ 12mm × 19.0mm Hex 16.0mm Fig. ① a	DCPR6EIX DCPR7EIX DCPR8EIX DCPR9EIX	
Fig. ① b	DCR7EIX DCR8EIX DCR9EIX	
φ 12mm × 19.0mm Hex 18.0mm Fig. ② a	DPR7EIX-9 DPR8EIX-9 DPR9EIX-9	
Fig. ② b	DR7EIX DR8EIX DR9EIX	
φ 12mm × 21.0mm Hex 18.0mm Fig. ③ a	DPR8ZIX	
φ 12mm × 26.5mm Conical seat Hex 14.0mm Fig. ④ d	ZNAR7AIX ZNAR6AIX-11	
φ 12mm × 26.5mm Hex 14.0mm	LZKR6AIX	
φ 10mm × 19.0mm Hex 16.0mm Fig. ⑤ a	CPR6EAIX-9S CPR7EAIX-9 CPR9EAIX-9	
Fig. ⑤ c	CR7EIX CR8EIX CR9EIX CR10EIX	
Fig. ⑥ b	CR8EHIX-9 CR9EHIX-9	
φ 10mm × 12.7mm Hex 16.0mm Fig. ⑦ b	CR5HIX CR6HIX CR7HIX CR8HIX CR9HIX	
φ 8mm × 19.0mm Hex 13.0mm Fig. ⑧ e	ER8EHIX ER9EHIX	



Standard

IRIDIUM
IX

Standard

IRIDIUM
IX

Standard	Iridium	Stock No.	Standard	Iridium	Stock No.
B10ES	BR10EIX	6801	BKR6E-11	BKR6EIX-11	3764
B10EVX	BR10EIX	6801	BKR6EK	BKR6EIX	6418
B10HS	BR10HIX	6692	BKR6EKB-11	BKR6EIX-11	3764
B6HS	BR6HIX	3419	BKR6EKC-N-11	BKR6EIX-11	3764
B6HS-10	BR6HIX	3419	BKR6EKE	BKR6EIX	6418
B6HVX	BR6HIX	3419	BKR6EKP-11	BKR6EIX-11	3764
B7ECS	BR7EIX	6664	BKR6EKU	BKR6EIX-11	3764
B7ES	BR7EIX	6664	BKR6E-N	BKR6EIX	6418
B7EVX	BR7EIX	6664	BKR6E-N-11	BKR6EIX-11	3764
B7HS	BR7HIX	7067	BKR6EP-11	BKR6EIX-11	3764
B7HS-10	BR7HIX	7067	BKR6EP-13	BKR6EIX-11	3764
B7HVX	BR7HIX	7067	BKR6EP-8	BKR6EIX	6418
B8ECS	BR8EIX	5044	BKR6EP-N-8	BKR6EIX	6418
B8ES	BR8EIX	5044	BKR6EQUP	BKR6EIX-11	3764
B8EVX	BR8EIX	5044	BKR6ES	BKR6EIX	6418
B8HS	BR8HIX	7001	BKR6ES-11	BKR6EIX-11	3764
B8HS-10	BR8HIX	7001	BKR6EVX	BKR6EIX	6418
B8HVX	BR8HIX	7001	BKR6EVX-11	BKR6EIX-11	3764
B9ECS	BR9EIX	3981	BKR6EY	BKR6EIX	6418
B9ES	BR9EIX	3981	BKR6EY-11	BKR6EIX-11	3764
B9EVX	BR9EIX	3981	BKR6EYA	BKR6EIX	6418
B9HS	BR9HIX	5687	BKR6EYA-11	BKR6EIX-11	3764
B9HVX	BR9HIX	5687	BKR6EZ	BKR6EIX	6418
BCP5ES	BCPR5EIX	5688	BKR6EZB	BKR6EIX	6418
BCP5ET	BKR5EIX	6341	BKR7E	BKR7EIX	2667
BCP6ET	BKR6EIX	6418	BKR7E-11	BKR7EIX-11	6988
BCP7ET	BCPR7EIX	5690	BKR7EKC-N-11	BKR7EIX-11	6988
BCPR5ES	BCPR5EIX	5688	BKR7EKU	BKR7EIX-11	6988
BCPR5ET	BKR5EIX	6341	BKR7E-N-11	BKR7EIX-11	6988
BCPR6E	BCPR6EIX	5689	BKR7EQUP	BKR7EIX-11	6988
BCPR6ES	BCPR6EIX	5689	BKR7ES-11	BKR7EIX-11	6988
BCPR6ET	BKR6EIX	6418	BKR7EVX-11	BKR7EIX-11	6988
BK5E	BKR5EIX	6341	BKUR5ET	BKR5EIX	6341
BK5E-11	BKR5EIX-11	5464	BKUR5ET-10	BKR5EIX-11	5464
BK6E	BKR6EIX	6418	BKUR6E	BKR6EIX	6418
BK6E-11	BKR6EIX-11	3764	BKUR6EK	BKR6EIX-11	3764
BK7EK-N-11	BKR7EIX-11	6988	BKUR6EK-9	BKR6EIX	6418
BK7EKU	BKR7EIX-11	6988	BKUR6ET-10	BKR6EIX-11	3764
BKR5E	BKR5EIX	6341	BKUR7EK	BKR7EIX-11	6988
BKR5E-11	BKR5EIX-11	5464	BP5EK-A	BPR5EIX-11	2115
BKR5EK	BKR5EIX	6341	BP5ES	BPR5EIX	6597
BKR5EKB-11	BKR5EIX-11	5464	BP5ES-11	BPR5EIX-11	2115
BKR5EKC	BKR5EIX	6341	BP5ES-13	BPR5EIX-11	2115
BKR5EKP-11	BKR5EIX-11	5464	BP5ESZ	BPR5EIX	6597
BKR5EKP-13	BKR5EIX-11	5464	BP5ET	BPR5EIX	6597
BKR5EKU	BKR5EIX-11	5464	BP5ET-10	BPR5EIX-11	2115
BKR5EKUP	BKR5EIX-11	5464	BP5EVX	BPR5EIX	6597
BKR5E-N	BKR5EIX	6341	BP5EVX-11	BPR5EIX-11	2115
BKR5E-N-11	BKR5EIX-11	5464	BP5EY	BPR5EIX	6597
BKR5EP-11	BKR5EIX-11	5464	BP5EY-11	BPR5EIX-11	2115
BKR5ES	BKR5EIX	6341	BP6E	BPR6EIX	6637
BKR5ES-11	BKR5EIX-11	5464	BP6EK-A	BPR6EIX-11	3903
BKR5EVX	BKR5EIX	6341	BP6ES	BPR6EIX	6637
BKR5EVX-11	BKR5EIX-11	5464	BP6ES-11	BPR6EIX-11	3903
BKR5EY	BKR5EIX	6341	BP6ESZ	BPR6EIX	6637
BKR5EY-11	BKR5EIX-11	5464	BP6ET	BPR6EIX	6637
BKR5EYA	BKR5EIX	6341	BP6EVX	BPR6EIX	6637
BKR5EYA-11	BKR5EIX-11	5464	BP6EY	BPR6EIX	6637
BKR5EZ	BKR5EIX	6341	BP6EY-11	BPR6EIX-11	3903
BKR6E	BKR6EIX	6418	BP6HS	BPR6HIX	4085



Standard

**IRIDIUM
IX**

Standard

**IRIDIUM
IX**

Standard	Iridium	Stock No.	Standard	Iridium	Stock No.
BP6HSA	BPR6HIX	4085	BR6HS	BR6HIX	3419
BP6HVX	BPR6HIX	4085	BR6HS-10	BR6HIX	3419
BP7ES	BPR7EIX	4055	BR6HSA-9	BPR6HIX	4085
BP7ET	BPR7EIX	4055	BR7EF	BR7EIX	6664
BP7EVX	BPR7EIX	4055	BR7ES	BR7EIX	6664
BP7EY	BPR7EIX	4055	BR7EVX	BR7EIX	6664
BP7HS	BPR7HIX	5944	BR7HS	BR7HIX	7067
BP7HVX	BPR7HIX	5944	BR7HS-10	BR7HIX	7067
BP8ES	BPR8EIX	6684	BR8ECM	BR8ECMIX	3520
BP8EVX	BPR8EIX	6684	BR8ECMVX	BR8ECMIX	3520
BP8HS	BPR8HIX	6742	BR8ECS	BR8EIX	5044
BP8HS-10	BPR8HIX	6742	BR8ES	BR8EIX	5044
BP8HSA	BPR8HIX	6742	BR8EVX	BR8EIX	5044
BP8HVX	BPR8HIX	6742	BR8HCS-10	BR8HIX	7001
BP9ES	BPR9EIX	6853	BR8HS	BR8HIX	7001
BPR5E	BPR5EIX	6597	BR8HVX	BR8HIX	7001
BPR5E-11	BPR5EIX-11	2115	BR9ECM	BR9ECMIX	2707
BPR5EK-A	BPR5EIX-11	2115	BR9ECMVX	BR9ECMIX	2707
BPR5EKU	BPR5EIX	6597	BR9ECS-5	BR9ECSIX-5	6014
BPR5EP-11	BPR5EIX-11	2115	BR9ES	BR9EIX	3981
BPR5EP-8	BPR5EIX	6597	BR9EVX	BR9EIX	3981
BPR5ES	BPR5EIX	6597	BR9EYA	BR9EIX	3981
BPR5ES-11	BPR5EIX-11	2115	BR9HS	BR9HIX	5687
BPR5ES-13	BPR5EIX-11	2115	BR9HS-10	BR9HIX	5687
BPR5EVX	BPR5EIX	6597	BU6EA-11	BPR6EIX-11	3903
BPR5EVX-11	BPR5EIX-11	2115	BUR5EA-11	BPR5EIX-11	2115
BPR5EY	BPR5EIX	6597	BUR5ET	BPR5EIX	6597
BPR5EY-11	BPR5EIX-11	2115	BUR5ET-10	BPR5EIX	6597
BPR6E	BPR6EIX	6637	BUR6EA-11	BPR6EIX-11	3903
BPR6E-11	BPR6EIX-11	3903	BUR6ET	BPR6EIX	6637
BPR6EK-A	BPR6EIX-11	3903	C6HSA	CR6HIX	7274
BPR6EKN	BPR6EIX	6637	C7E	CR7EIX	7385
BPR6EP-8	BPR6EIX	6637	C7HSA	CR7HIX	7544
BPR6ES	BPR6EIX	6637	C7HVX	CR7HIX	7544
BPR6ES-11	BPR6EIX-11	3903	C8E	CR8EIX	4218
BPR6EVX	BPR6EIX	6637	C8EH-9	CR8EHIX-9	3797
BPR6EVX-11	BPR6EIX-11	3903	C8HSA	CR8HIX	7669
BPR6EY	BPR6EIX	6637	C9E	CR9EIX	3521
BPR6EY-11	BPR6EIX-11	3903	C9EH-9	CR9EHIX-9	6216
BPR6HS	BPR6HIX	4085	CPR6EA-9	CPR6EAIX-9S	93921
BPR6HSA	BPR6HIX	4085	CPR6EA-9S	CPR6EAIX-9S	93921
BPR6HVX	BPR6HIX	4085	CPR7EA-9	CPR7EAIX-9	9198
BPR7E	BPR7EIX	4055	CPR8EA-9	CPR8EAIX-9	96067
BPR7EKN	BPR7EIX	4055	CPR9EA-9	CPR9EAIX-9	97673
BPR7ES	BPR7EIX	4055	CR10E	CR10EIX	6482
BPR7EVX	BPR7EIX	4055	CR6HS	CR6HIX	7274
BPR7EY	BPR7EIX	4055	CR6HSA	CR6HIX	7274
BPR7HS	BPR7HIX	5944	CR7E	CR7EIX	7385
BPR7HVX	BPR7HIX	5944	CR7HS	CR7HIX	7544
BPR8ES	BPR8EIX	6684	CR7HSA	CR7HIX	7544
BPR8EVX	BPR8EIX	6684	CR8E	CR8EIX	4218
BPR8HS	BPR8HIX	6742	CR8EH-9	CR8EHIX-9	3797
BPR8HSA	BPR8HIX	6742	CR8EHVX-9	CR8EHIX-9	3797
BPR9ES	BPR9EIX	6853	CR8EKPA	CR8EIX	4218
BPR9EVX	BPR9EIX	6853	CR8EVX	CR8EIX	4218
BR10ECM	BR10ECMIX	3006	CR8HS	CR8HIX	7669
BR10ECMVX	BR10ECMIX	3006	CR8HSA	CR8HIX	7669
BR10ES	BR10EIX	6801	CR8HVX	CR8HIX	7669
BR10EVX	BR10EIX	6801	CR9E	CR9EIX	3521
BR10EYA	BR10EIX	6801	CR9EH-9	CR9EHIX-9	6216



Standard

**IRIDIUM**
IX

Standard

**IRIDIUM**
IX

Standard	Iridium	Stock No.	Standard	Iridium	Stock No.
CR9EHVX-9	CR9EHIX-9	6216	IGR6A	BPR6EIX	6637
CR9EVX	CR9EIX	3521	IGR7A	BPR7EIX	4055
D7EA	DR7EIX	5686	IGR7A-G	BPR7EIX	4055
D7EVX	DR7EIX	5686	IKR7A	DCPR7EIX	6046
D8EA	DR8EIX	6681	IKR7B	DCPR7EIX	6046
D8EVX	DR8EIX	6681	IKR7D	DCPR7EIX	6046
D9EA	DR9EIX	4772	IKR7E9	DCPR7EIX	6046
D9EVX	DR9EIX	4772	IZFR6H11	ZFR6FIX-11	6441
DCP6E	DCPR6EIX	8196	J9A	DR9EIX	4772
DCP7E	DCPR7EIX	6046	JR8B	DR8EIX	6681
DCP7EVX	DCPR7EIX	6046	JR8C	DR8EIX	6681
DCPR6E	DCPR6EIX	8196	JR9B	DR9EIX	4772
DCPR7E	DCPR7EIX	6046	JR9C	DR9EIX	4772
DCPR7EA-9	DCPR7EIX	6046	KR7AI	DCPR7EIX	6046
DCPR7E-N	DCPR7EIX	6046	LR8A	CR8HIX	7669
DCPR7E-N-10	DCPR7EIX	6046	PFR5B	BKR5EIX	6341
DCPR7EVX	DCPR7EIX	6046	PFR5B-11	BKR5EIX-11	5464
DCPR8E	DCPR8EIX	6546	PFR5B-9	BKR5EIX	6341
DCPR8EKC	DCPR8EIX	6546	PFR5C-11	BKR5EIX-11	5464
DCPR9E	DCPR9EIX	2316	PFR5G-11	BKR5EIX-11	5464
DP7EA-9	DPR7EIX-9	7803	PFR5G-11E	BKR5EIX-11	5464
DP8EA-9	DPR8EIX-9	2202	PFR5G-13E	BKR5EIX-11	5464
DP9EA-9	DPR9EIX-9	5545	PFR5J-11	BKR5EIX-11	5464
DPR7EA-9	DPR7EIX-9	7803	PFR5L-11	BKR5EIX-11	5464
DPR7EVX-9	DPR7EIX-9	7803	PFR5N-11	BKR5EIX-11	5464
DPR8EA-9	DPR8EIX-9	2202	PFR5P-11	BKR5EIX-11	5464
DPR8EVX-9	DPR8EIX-9	2202	PFR5R-11	BKR5EIX-11	5464
DPR9EA-9	DPR9EIX-9	5545	PFR6B	BKR6EIX	6418
DPR9EVX-9	DPR9EIX-9	5545	PFR6B-11	BKR6EIX-11	3764
DR7EA	DR7EIX	5686	PFR6B-9	BKR6EIX	6418
DR7ES	DR7EIX	5686	PFR6C-11	BKR6EIX-11	3764
DR8EA	DR8EIX	6681	PFR6E-10	BKR6EIX-11	3764
DR8ES	DR8EIX	6681	PFR6G	BKR6EIX	6418
DR8ES-L	DR9EIX	4772	PFR6G-11	BKR6EIX-11	3764
DR8EVX	DR8EIX	6681	PFR6G-13	BKR6EIX-11	3764
DR9EA	DR9EIX	4772	PFR6G-13E	BKR6EIX-11	3764
DR9EVX	DR9EIX	4772	PFR6G-9	BKR6EIX	6418
ER9EH	ER9EHIX	96652	PFR6J	BKR6EIX	6418
FR5BP-11	BKR5EIX-11	5464	PFR6J-11	BKR6EIX-11	3764
FR5CP	BKR5EIX	6341	PFR6L-11	BKR6EIX-11	3764
FR5EI	BKR5EIX	6341	PFR6M	BKR6EIX	6418
FR6BP-11	BKR6EIX-11	3764	PFR6N-11	BKR6EIX-11	3764
FR6EI	BKR6EIX	6418	PFR6P-11	BKR6EIX-11	3764
GR5AI-10	BPR5EIX-11	2115	PFR6Q	BKR6EIX	6418
IFR5A11	BKR5EIX-11	5464	PFR6T-10G	BKR6EIX-11	3764
IFR5D10	BKR5EIX-11	5464	PFR6X-11	BKR6EIX-11	3764
IFR5E11	BKR5EIX-11	5464	PFR7B-11	BKR7EIX-11	6988
IFR5J11	BKR5EIX-11	5464	PFR7G-11	BKR7EIX-11	6988
IFR5N10	BKR5EIX-11	5464	PGR5A	BPR5EIX	6597
IFR6A11	BKR6EIX-11	3764	PGR6A	BPR6EIX	6637
IFR6B	BKR6EIX	6418	PGR6A-11	BPR6EIX-11	3903
IFR6B11	BKR6EIX-11	3764	PGR7A	BPR7EIX	4055
IFR6C	BKR6EIX	6418	PJR7A	DPR7EIX-9	7803
IFR6C9N	BKR6EIX	6418	PZFR6F-11	ZFR6FIX-11	6441
IFR6D10	BKR6EIX-11	3764	ZFR6F-11	ZFR6FIX-11	6441
IFR6E11	BKR6EIX-11	3764	ZFR6FVX-11	ZFR6FIX-11	6441
IFR6J	BKR6EIX	6418	ZFR6J-11	ZFR6FIX-11	6441
IFR6J11	BKR6EIX-11	3764			
IFR6Q-G	BKR6EIX	6418			
IFR6S	BKR6EIX	6418			



RACING



IGNITION PARTS

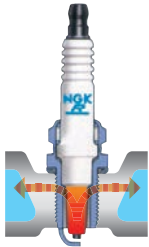
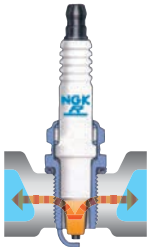
▶ Choosing a Heat range

▶ Heat range of spark plugs

The firing end of the spark plug is exposed in the combustion chamber, so it undergoes the cycle of heat receiving and heat dissipation repeatedly. "Heat rating" is measure of the balance of the amount of heat received and amount of heat dissipated. You need to choose heat rating at which the spark plug can be used normally by maintaining this balance.

▶ Hot type and Cold type

We call spark plugs which firing end heats up quickly, "hot type". On the other hand, we call spark plugs which firing end doesn't heat up quickly, "cold type". As for hot type, since the insulator nose is long and the heat receiving area of the insulator is large, it is heated to higher temperature easily. A Cold type is the opposite.

		Hot Type (Low heat rating)	Cold Type (High heat rating)
Flow of heat			
Length of insulator nose		Long	Short
Heat receiving area of the firing end		Large	Small
Spark plug temperature		Rises easily	Does not rise easily
Characteristics of spark plug	Merits	Does not easily lead to carbon fouling	Does not overheat easily
	Demerits	Overheats easily	Easily leads to carbon fouling

It is essential to use a spark plug with a heat rating that matches a specific engine and its condition of use.


If you use spark plugs with a wrong heat rating, following troubles may occur.

You are recommended to consult with a shop/garage where you are normally maintaining your car.

When the heat rating is too low,

The spark plug temperature rises too high and induces abnormal combustion (pre-ignition); this leads to melting of the spark plug electrode that could cause problems such as piston seizure.


Overheat



When the heat rating is too high,

The spark plug temperature remains too low and causes carbons to build up on the firing end; the carbons provide an electrical leakage path that gives rise to a reduction of spark.

Smolder








▶ Choosing a firing end design

▶ About firing end designs

You need to choose racing spark plugs with the appropriate firing end design according to the tune-up level of the engine and the running condition of the vehicle.

In general, spark plugs which firing end projects into the combustion engine have better ignitability. But the other hand, the longer projections are more susceptible to the wear and tear of extreme temperatures.

Since high-power and high-performance engines not only run hotter but also they vibrate more, we recommend choosing a firing end design that reduces exposure of the electrode and insulator as much as possible.

Projected type	Conventional type	Oblique electrode type	Flat type	Semi-surface discharge type
				
Long ground electrode (Projected type)		short		none
low		medium		high
Tune-up level				

Spark Plug Maintenance

▶ How to correctly install spark plugs

You must take great care when installing spark plugs. In particular, you have to watch the torque. If you use too much or too little torque when installing spark plugs you can cause damage to the spark plugs and the engine, so be sure you abide by the following.

▶ Be sure to use the correct spark plug wrench.

Some engines have narrow spark plug holes thereby preventing the spark plugs from being tightened correctly with a plug wrench that does not perfectly fit the hexagonal portion of the plug. So, please use the appropriate spark plug wrench for your engine.

▶ Be sure to tighten the spark plug to the correct torque.

Screw in the spark plug and then use a torque wrench to tighten the spark plug to the standard torque noted in the chart on the right. If you do not have access to a torque wrench screw in the plug with your fingertips and then tighten to the rotation angle noted below (corresponds to the tightening torque in the chart on the right) using a spark plug wrench once the spark plug comes in contact with the spark plug tube gasket mount.

Standard Torque

Plug thread size	Tightening torque
φ18mm	35~40N·m (3.5~4.0kgm)
φ14mm	25~30N·m (2.5~3.0kgm)
φ12mm	15~20N·m (1.5~2.0kgm)
φ10mm	10~12N·m (1.0~1.2kgm)
φ8mm	8~10N·m (0.8~1.0kgm)

Conical seat type (without gasket)

Tightening torque	
	10~20N·m (1.0~2.0kgm)



If any lubricants, such as grease, or seizure prevention agents are used on the threads there is a danger of over tightening the spark plug past the standard torque. Therefore, do not use lubricants or seizure prevention agents on these parts.

▶ Tightening angles

Heat range number enters

Thread size				New gasket	Used gasket	
φ18mm·φ14mm (except▼)				$\frac{1}{2} \sim \frac{2}{3}$ of a turn (180°~240°)	$\frac{1}{12}$ of a turn (30°)	
▼	BCPR [○] ED BKR [○] EKUC PZFR [○] C	BCPR [○] EDIX BKR [○] EKUD R6918C [○]	BCPR [○] EKD BKR [○] ETUA	$\frac{1}{3}$ of a turn (120°)	$\frac{1}{12}$ of a turn (30°)	
φ12mm (except▼)				$\frac{1}{2}$ of a turn (180°)	$\frac{1}{12}$ of a turn (30°)	
▼	DILKAR [○] G11DS DILKAR [○] P8SY DILZKRO [○] A11DS DPRO [○] EA-9S ILZKAR [○] H8S ILZKRO [○] B11GS LKAR [○] AP7JDS LKR [○] AHX-S LKR [○] DIX-11S SILZKAR [○] F7S SILZKRO [○] C11DS R2556G [○]	DILKAR [○] G11GS DILZKAR [○] C11H DILZKRO [○] A11GS ILKAR [○] K11S ILZKAR [○] J8SY ILZKRO [○] B-11S LKAR [○] ARX-PS LKR [○] ARX-PS SILKAR [○] C6DS SILZKAR [○] H6S SILZKRO [○] C11S R2558E [○]	DILKAR [○] H11GS DILZKAR [○] C11S DILZKRO [○] B10DS ILZKAR [○] E11S ILZKER [○] A4DS ILZKRO [○] B8S LKAR [○] BGP-S LKR [○] BGP-S SILKRO [○] A-S SILZKBR [○] B8S SILZKRO [○] F11DS	$\frac{1}{4}$ of a turn (90°)	$\frac{1}{8}$ of a turn (45°)	
φ10mm (except▼)				$\frac{1}{2}$ of a turn (180°)	$\frac{1}{12}$ of a turn (30°)	
▼	C [○] E CPR [○] EAIX-9 CR [○] EGP CR [○] EIB-9 CR [○] EKB DIMRO [○] A10 ILMAR [○] B8 LMAR [○] AI-10 LMAR [○] AP8J LMAR [○] DI-10 LMAR [○] F-9 LZMAR [○] AI-10 MR [○] BI-8 MR [○] E-9 MR [○] K-9 SILMAR [○] B9 SILMFR [○] A8G	CPR [○] E CPR [○] EB-9 CR [○] EIA-10 CR [○] EIX CR [○] EKC DIMRO [○] B10 ILMAR [○] E9 LMAR [○] AI-8 LMAR [○] BI-9 LMAR [○] D-J LMAR [○] FI-10G MAR [○] A-6J MRO [○] C-9N MRO [○] F PMRO [○] A SILMAR [○] C9 SIMRO [○] A9	CPR [○] EA-9 CR [○] E CR [○] EIA-9 CR [○] EK CR [○] EKPA DIMRO [○] C10 ILMAR [○] F8 LMAR [○] AI-8E LMAR [○] C-9 LMAR [○] EI-7 LMAR [○] G MAR [○] A-J MRO [○] CI-8 MRO [○] G-9E PMRO [○] B SILMAR [○] E9 ZMRO [○] A-10	CPR [○] EAGP-9 CR [○] EB CR [○] EIB-10 CR [○] EKA CR [○] EVX ILMAR [○] A8 LMAR [○] A-9 LMAR [○] AIX-P LMAR [○] CI-8 LMAR [○] E-J LMAR [○] J-9E MRO [○] AI9 MRO [○] D-9 MRO [○] J-9 PMRO [○] C-H SILMAR [○] F9 ZMRO [○] AP	$\frac{1}{4}$ of a turn (90°)	$\frac{1}{12}$ of a turn (30°)
▼	CPR [○] EA-9S CR [○] EDX-9S ILMAR [○] D8S LMAR [○] A-9S LMAR [○] K-9S MR [○] B-9NS SILMAR [○] D9DS SPMR [○] A6HDG R0465B [○]	CPR [○] EAIX-9S CR [○] EH-9S IMRO [○] C-9HES LMAR [○] ADX-9S LMDRO [○] A-JS MRO [○] BP8HJS SILMFR [○] B8GS R0409B [○]	CPR [○] EDX-9S DILMAR [○] A11S IMRO [○] D-9H LMAR [○] AP8JS MAR [○] B-JDS SILMAR [○] A9S SILRO [○] A7S R0451B [○]	CR [○] EDX-S ILMAR [○] C9D IMRO [○] E-9HES LMAR [○] H-9DS MRO [○] AP8HJS SILMAR [○] C9S SIMRO [○] B9DS R0451C [○]	$\frac{1}{6}$ of a turn (60°)	$\frac{1}{12}$ of a turn (30°)
φ8mm (except▼)				$\frac{1}{3}$ of a turn (120°)	$\frac{1}{12}$ of a turn (30°)	
Conical seat type (without gasket)				$\frac{1}{16}$ of a turn (22.5°)	$\frac{1}{16}$ of a turn (22.5°)	
▼ Copper gasket type				$\frac{1}{12}$ of a turn (30°)	$\frac{1}{24}$ of a turn (15°)	



▶ $\phi 14\text{mm}\times 19\text{mm}$ (Hex20.8mm)



R6918B-○



Heat range	7	8	9
Spark plug type	B-E		
Terminal shape			
Center electrode material	Platinum		
Ground electrode material	Nickel		



R7376-○



Heat range	7	8	9	10
Spark plug type	B-E			
Terminal shape				
Center electrode material	Iridium			
Ground electrode material	Platinum			



R6712-○



Heat range	9	10
Spark plug type	B-E	
Terminal shape		
Center electrode material	Nickel	
Ground electrode material	—	

▶ $\phi 14\text{mm}\times 22\text{mm}$ (Hex16.0mm)



R7282A-○^{※1}



Heat range	10	105	11
Spark plug type	Short		
Terminal shape			
Center electrode material	Iridium		
Ground electrode material	Platinum		

※ 1) It's necessary to use special plug caps(Please refer to page 8)

※ 2) The length from gasket to terminal of ISO/JIS type spark plugs is 50.5mm which is 2.5mm shorter than old JIS type spark plugs.

※ 3) Heat range number enters ○

※ 4) Racing spark plugs may be finished selling without notice.

NOTICE) =Solid post terminal =Thread terminal with nut =Thread terminal

▶ $\phi 14\text{mm}\times 19\text{mm}(\text{Hex}16.0\text{mm})$

Please be aware that some plugs cannot be replaced despite having the same thread size and length.

R7282- ○ ※1



Heat range	9	10	105	11
Spark plug type	Short			
Terminal shape				
Center electrode material	Iridium			
Ground electrode material	Platinum			

R7433- ○



Heat range	8	9	10
Spark plug type	BK-E (ISO/JIS) ※2		
Terminal shape			
Center electrode material	Iridium		
Ground electrode material	Nickel		

R7434- ○



Heat range	8	9	10
Spark plug type	BK-E (ISO/JIS) ※2		
Terminal shape			
Center electrode material	Iridium		
Ground electrode material	Platinum		

R6601- ○



Heat range	8	9	10	11
Spark plug type	BK-E (ISO/JIS) ※2			
Terminal shape				
Center electrode material	Nickel			
Ground electrode material	—			

R7435- ○



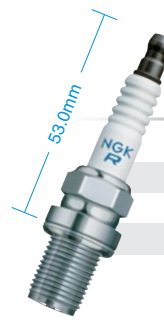
Heat range	8	9	10
Spark plug type	BCP-E (old JIS)		
Terminal shape			
Center electrode material	Iridium		
Ground electrode material	Nickel		

R7436- ○



Heat range	8	9	10
Spark plug type	BC-E (old JIS)		
Terminal shape			
Center electrode material	Iridium		
Ground electrode material	Platinum		

R6690- ○



Heat range	9	10	11
Spark plug type	BC-E (old JIS)		
Terminal shape			
Center electrode material	Nickel		
Ground electrode material	—		



▶ ϕ 14mm×26.5mm(Hex16.0mm)



R7437-○



Heat range	8	9	10
Spark plug type	LFR long reach		
Terminal shape			
Center electrode material	Iridium		
Ground electrode material	Nickel		



R7438-○



Heat range	8	9	10
Spark plug type	LFR long reach		
Terminal shape			
Center electrode material	Iridium		
Ground electrode material	Platinum		

▶ ϕ 14mm×21.5mm(Hex20.8mm)



R6725-○



Heat range	9	10	105	11	115
Spark plug type	Rotary Engine RX-7				
Terminal shape					
Center electrode material	Platinum				
Ground electrode material	Platinum				



R7420-○



Heat range	9	10	105	11
Spark plug type	Rotary Engine RX-7			
Terminal shape				
Center electrode material	Iridium			
Ground electrode material	Platinum			

▶ ϕ 14mm×21mm(Hex20.8mm)



R7440A-○L



Heat range	9	10
Spark plug type	Rotary Engine RX-8 Lside	
Terminal shape		
Center electrode material	Iridium	
Ground electrode material	Platinum	

▶ ϕ 14mm×19mm(Hex20.8mm)



R7440B-○T



Heat range	10	11
Spark plug type	Rotary Engine RX-8 Tside	
Terminal shape		
Center electrode material	Iridium	
Ground electrode material	Platinum	

▶ ϕ 12mm×26.5mm(Hex16.0mm)



R2556G-○



Heat range	8	9	10
Spark plug type	LKR long reach		
Terminal shape			
Center electrode material	Iridium		
Ground electrode material	Platinum		

▶ ϕ 12mm×26.5mm(Hex14.0mm)



R2558E-○



Heat range	8	9	10
Spark plug type	LKAR long reach		
Terminal shape			
Center electrode material	Iridium		
Ground electrode material	Platinum		

▶ ϕ 12mm×19mm(Hex16.0mm)



R2349-○

Heat range 9 10 11

Spark plug type	DC-E
Terminal shape	⬮
Center electrode material	Nickel
Ground electrode material	—



R2525-○

Heat range 9 10

Spark plug type	DC-E
Terminal shape	⬮
Center electrode material	Platinum
Ground electrode material	Nickel



▶ ϕ 10mm×26.5mm(Hex16.0mm)



R0452A-○

Heat range 10

Spark plug type	LMR long reach
Terminal shape	⬮
Center electrode material	Nickel
Ground electrode material	—



▶ ϕ 10mm×26.5mm(Hex14.0mm)



R0465B-○

Heat range 10

Spark plug type	LMAR long reach
Terminal shape	⬮
Center electrode material	Nickel
Ground electrode material	—



R0451B-○

Heat range 8

Spark plug type	LMAR long reach
Terminal shape	⬮
Center electrode material	Iridium
Ground electrode material	Nickel



R0451C-○

Heat range 10

Spark plug type	LMAR long reach
Terminal shape	⬮
Center electrode material	Iridium
Ground electrode material	Nickel



※ 1) Heat range number enters ○

※ 2) Racing spark plugs may be finished selling without notice.

NOTICE) ⬮=Solid post terminal ⬮=Thread terminal with nut ⬮=Thread terminal



▶ ϕ 10mm×19mm(Hex16.0mm)



R0373A-○



Heat range	8	9	10	11
------------	---	---	----	----

Spark plug type	C-E
Terminal shape	
Center electrode material	Iridium
Ground electrode material	Platinum



R0045Q-○



Heat range	10	11
------------	----	----

Spark plug type	C-E
Terminal shape	
Center electrode material	Nickel
Ground electrode material	—

▶ ϕ 10mm×19mm(Hex16.0mm) Half thread



R0409B-○



Heat range	8	9	10
------------	---	---	----

Spark plug type	C-EH
Terminal shape	
Center electrode material	Iridium
Ground electrode material	Nickel



R0459A-○



Heat range	10
------------	----

Spark plug type	C-EH
Terminal shape	
Center electrode material	Nickel
Ground electrode material	—

▶ ϕ 8mm×19mm(Hex13.0mm) Half thread



R847-○



Heat range	10	11
------------	----	----

Spark plug type	E-EH
Terminal shape	
Center electrode material	Nickel
Ground electrode material	—

※ 1) Heat range number enters ○
 ※ 2) Racing spark plugs may be finished selling without notice.

NOTICE) = Solid post terminal = Thread terminal with nut = Thread terminal

▶ Discontinued plug types



Red color indicates non resistor plugs. Heat range number enters

Old part number	New part number
R0045G-,R0045J-	R0045Q-
R016-,R017-	R0373A-
R0161-	CR HIX
R216-,R217-	R2525-
R2270-,R2430-	R2349-
R2556B-	R2556G-
R2558A-	R2558E-
R4304A-	BPR EIX
R5530,R5525-	BR HIX
R5649-	R6712-
R6711-	R6601-
R5883-	R6690-
R4630A-,R6385-P	R7376-
R6120-	R7282-
R6120A-	R7282A-

Old part number	New part number
R6179A-	R7282-
R6255-,R6255F-,R6326-	R7433-
R6205-,R6241-	R7433- or R7434-
R6206-,R6242-	R7434-
R5400-,R5400F-,R6337-	R7435-
R5686-	R7435- or R7436-
R5830-,R5687-	R7436-
R7112-,R7113-	R7433-
R7114-,R7115-	R7433- or R7434-
R7116-,R7117-	R7434-
R7118-,R7119-	R7434-
R7232-,R7233-	R7435-
R7234-,R7235-	R7435- or R7436-
R7236-,R7237-	R7436-
R7238-,R7239-	R7436-

▶ Racing spark plug caps

Heat range number enters

Plug cap number(color)	Plugs and cables
 TRS1225-B (Blue) ※for HONDA RACE	R7282-,R7282A- ϕ 8mm Cable
 TRS1233A-R (Red) TRS1233B-Y (Yellow) TRS1233C-G (Green)	R7282-,R7282A- ϕ 7mm Cable





▶ Motorcycles

Heat range number enters

Displacement	Model	Spark plug Number	Racing spark plug	other applicable plug number on page (check colour code)
▶ APRILIA				
1000	RSV4 Factory	CR9EB	R0373A-	64
125	RS4 125	CR9EB	R0373A-	
▶ BMW				
1000	S1000RR	LMAR9D-J	R0451C-,R0465B-	63
▶ DUCATI				
1199	1199 Panigale	MAR9A-J	-	-
▶ HONDA				
1000	CBR1000RR ('08.7~)	IMR9E-9HES	R0409B-,R0459A-	64
	CBR1000RR SP	IMR9E-9HES	R0409B-,R0459A-	
	CBR1000RR SP2	SILMAR10C9S	R0451C-,R0465B-	
600	CBR600RR ('09~)	IMR9E-9HES	R0409B-,R0459A-	64
450	CRF450R ('08.10~)	SILMAR9A9S	R0451C-	63
	CRF450RX	SILMAR9A9S	R0451C-	
250	CBR250R ('88.5~)	CR9EH-9	R0409B-	64
	CBR250R ('11.3~)	SIMR8A9	R0373A-	64
	CBR250RR ('91.1~)	CR9EH-9	R0409B-	64
	CBR250RR ('17.5~)	SILMAR8C9	R0451C-	63
	CRF250R ('04.8~'09.8)	R0409B-8	R0409B-	64
	CRF250R ('09.8~)	R0451B-8	R0451B-	63
	NSF250R	R0452A-10	R0452A-,R0451C-	63
	VTR	CR8EH-9	R0409B-	64
	CRF150R/R II	CR8EH-9	R0409B-	
	125	CBR125R	CR8E	R0373A-
100	CRF125F	DPR8EA-9	-	-
	CRF100F	CR7HSA	-	-
	NSF100	CR8HSA	-	-
85	CR85R	BR10EG	R7376-	60
50	NSR mini	BR8ES	R7376-	
▶ HUSQVARNA				
450	FC450	LKAR8AI-9	R2558E-	62
350	FC350	LKAR8AI-9	R2558E-	
250	FC250	LKAR8AI-9	R2558E-	
	FE250	CR9EKB	R0373A-	64
125	TE250/TC250	CR8EB	R0373A-	60
	TC125	BR9EG	R7376-	
85	TC85	BR9ECMVX	-	-
▶ KAWASAKI				
1000	Ninja ZX-10R ('04~'15)	CR9EIA-9	R0373A-,R0045Q-	64
	Ninja ZX-10R ('16.10~)	SILMAR9B9	R0451C-,R0465B-	63
600	ZX-6R	CR9E	R0373A-,R0045Q-	64
450	KX450F	CPR8EB-9	R0373A-	
250	KX250F ('11~)	CPR8EB-9	R0373A-	
	KX250F ('05.9~'10)	CR8E	R0373A-	
	Ninja250 ('18.2~)	SILMAR9B9	R0451C-	63
	Ninja250 ('13.2~18.2)	CR8E	R0373A-	64
	Ninja250R	CR8E	R0373A-	
	Ninja250SL	MR8CI-8	R0373A-	
	Z250	CR8E	R0373A-	



**CAUTION**

Choose appropriate heat range and firing end of racing spark plugs according to engine modification or driving condition.
(Please refer to the first page.)

Heat range number enters

Displacement	Model	Spark plug Number	Racing spark plug	other applicable plug number on page (check colour code)
▶ KAWASAKI				
85	KX85/ II	R6252K-105	R7376-	60
65	KX65	BR10EG	R7376-	
▶ KTM				
450	450SMR ('08~'12)	CR9EKB	R0373A-	64
	450SMR ('13~)	LKAR8A-9	R2558E-	62
	450SX-F	CR9EKB	R0373A-	64
390	RC390	LKAR8A-9	R2558E-	62
350	350SX-F	LMAR9AI-8	R0451C-	63
250	250DUKE ('18~)	LKAR8A-9	R2558E-	62
	250EXC	BR7ES	R7376-	60
	250EXC-F ('06~)	CR9EKB	R0373A-	64
	250EXC-F ('17~)	LMAR9AI-10	R0451C-	63
	250SX-F ('06~'12)	CR9EKB	R0373A-	64
	250SX-F ('13~)	LMAR9AI-8	R0451C-	63
	RC250/R	LKAR8A-9	R2558E-	62
	125SX ('08~)	BR9ECMVX	-	-
	85SX ('07~)	BR9ECMVX	-	-
65	65SX ('03~'08)	BR8ECM	-	-
	65SX ('09~)	LR8B	-	-
50	50SX ('10~)	LR8B	-	-
▶ SUZUKI				
1000	GSX-R1000 ('07~)	CR9EIA-9	R0373A-, R0045Q-	64
600	GSX-R600 ('08~)	CR9EIA-9	R0373A-, R0045Q-	
450	RM-Z450 ('07.10~)	DIMR8A10	R0373A-	
250	RM250 ('01.6~)	BR8EG	R7376-	60
	RM-Z250 ('07~'12)	CR8EIA-10	R0373A-	64
	RM-Z250 ('13~)	CR8EIB-10	R0373A-	64
125	RM125 ('96.8~)	R6918B-8	R6918B-	60
85	RM85L	BR10ES	R7376-	60
50	DR-Z50	CR7HS	-	-
▶ TRIUMPH				
675	Daytona 675R	CR9EIA-9	R0373A-	64
▶ YAMAHA				
1000	YZF-R1 ('04~'08)	CR9EK	R0373A-, R0045Q-	64
	YZF-R1 ('09~)	LMAR9E-J	R0451C-, R0465B-	63
600	YZF-R6	CR10EK	R0373A-, R0045Q-	64
450	YZ450F/FX	CR8E	R0373A-	63
300	YZF-R3 ('18.3~)	LMAR8A-9	R0451C-	63
	YZF-R3 ('15~'18)	CR8E	R0373A-	64
250	YZ250	BR8EG	R7376-	60
	YZF-R25 ('18~)	LMAR8A-9	R0451C-	63
	YZF-R25 ('15~'17)	CR9E	R0373A-	64
	YZ250F ('19~)	LMAR9E-J	R0451C-	63
	YZ250F ('14~'18)	LMAR8G	R0451C-	64
	YZ250F ('01~'13)	CR8E	R0373A-	64
	YZ250FX	LMAR8G	R0451C-	63
	WR250R/X	CR9EK	R0373A-	64
	125	YZ125 ('05.7~)	BR9EVX	R7376-
85	YZ85/LW	BR10EG	R7376-	60
50	TT-R50E	CR7HSA	-	-







IGNITION
PARTS



Stock No.

Quick No.

Upgrade ↑

Stock No. ↑

A.J.S.

Chipmunk 50		50	1	2003-		0.6	BP4HS	3611			
DD50 Regal Raptor		50	1	2003-		0.7	CR7HS	7223		CR7HIX	7544
JSM 50 Motard		50	1	2011-		0.6	BR8ES	5422	Q207	BR8EIX	5044
Coyote 80		80	1	2003-		0.6	BP6HS	4511		BPR6HIX	4085
Cougar 100		100	1	2003-	JINCHENG	0.6	BP7HS	5111		BPR7HIX	5944
DD100 Regal Raptor		100	1	2003-		0.7	CR7HS	7223		CR7HIX	7544
CR3-125 Super Sports		125	1	-		0.6	DR8EA	7162		DR8EIX	6681
JS 125Y Tiger		125	1	2003-		0.7	DR8ES	5423	Q217	DR8EIX	6681
JSM 125 Motard		125	1	2009-2015		0.6	CR6HSA	2983		CR6HIX	7274
JSM 125 Trail		125	1	2009-2014		0.6	CR6HSA	2983		CR6HIX	7274

ADIVA

Adiva 125		125	1	2001-		0.6	CR8EB	7784			
Adiva AD 125		125	1	2008-2010	15hp	0.8	CR9E	6263	Q227	CR9EIX	3521
Adiva AD 200		200	1	-	19hp	0.7	CR7E	4578	Q225	CR7EIX	7385
Adiva 250		250	1	-		0.8	CR8EB	7784			
Adiva AD 250		250	1	2007-2007	22hp	0.8	CR9E	6263	Q227	CR9EIX	3521
Adiva AD 250 ie		250	1	2008-2010	22hp	0.8	CR9E	6263	Q227	CR9EIX	3521
Adiva AD 300		300	1	-	30hp	0.7	CR7E	4578	Q225	CR7EIX	7385

ADLY

Citybird		50	1	1997-		0.6	BPR7HS	6422		BPR7HIX	5944
Crosser		50	1	1997-		0.6	BPR7HS	6422		BPR7HIX	5944
Fox		50	1	1997-		0.6	BPR7HS	6422		BPR7HIX	5944
Jet X1		50	1	1997-		0.6	BPR7HS	6422		BPR7HIX	5944
Pista		50	1	1997-		0.6	BPR7HS	6422		BPR7HIX	5944
Predator		50	1	1997-		0.6	BPR7HS	6422		BPR7HIX	5944
Cat		100	1	1997-		0.6	BPR7HS	6422		BPR7HIX	5944
Jet		100	1	1997-		0.6	BPR7HS	6422		BPR7HIX	5944
Predator		100	1	1997-		0.6	BPR7HS	6422		BPR7HIX	5944
X1		100	1	1997-		0.6	BPR7HS	6422		BPR7HIX	5944
Activator 125		125	1	1999-		0.5	CR7HSA	4549		CR7HIX	7544
AJP 125 PR4		125	1	2003-		0.9	DPR7EA-9	5129	Q220	DPR7EIX-9	7803
Cat 125		125	1	1997-		0.5	CR7HSA	4549		CR7HIX	7544

AJP

Enduro 125		125	1	2003-		0.8	DR8ES	5423	Q217	DR8EIX	6681
PR3 125 Enduro		125	1	2008-2015		*	DR8EIX**	6681			
PR4 125 Limited Edition		125	1	2011-		*	DR8EIX**	6681			
Supermoto 125		125	1	2003-		0.8	DR8ES	5423	Q217	DR8EIX	6681
Enduro 200		200	1	2003-		0.8	DR8ES	5423	Q217	DR8EIX	6681
PR3 200 Supermoto	SM	200	1	2010-		*	DR8EIX**	6681			
PR4 200 Limited Edition		200	1	2011-		*	DR8EIX**	6681			
PR4 200 Supermoto	SM	200	1	2011-		*	DR8EIX**	6681			
PR4 200 Supermoto Pro	SM	200	1	2011-		*	DR8EIX**	6681			
Supermoto 200		200	1	2003-		0.8	DR8ES	5423	Q217	DR8EIX	6681
P 250 Cross		250	1	2004-		0.6	CR8EB	7784			
PR5 250 Supermoto		250	1	2010-2015		*	DR8EIX**	6681			

ALFER

Trial		125	1	2000-		0.7	CR9EB	6955			
VR 250 Super Motard	VR	250	1	2000-		0.6	BR8ES	5422	Q207	BR8EIX	5044
TX-300		300	1	-		0.5	B8ES	2411	Q201	BR8EIX	5044

* Bitte Elektrodenabstand nach Angaben des Herstellers justieren

* Please adjust the ground electrode gap

* Veuillez vérifier l'écartement

* Por favor, ajustar la distancia entre los electrodos

* Regolare il gap

** Iridium IX Spark Plug is the standard recommendation





Stock No.

Quick No.

Upgrade ↑

Stock No. ↑

AMERICAN IRON HORSE

Bandit ST		1573	2	1999-2002		1.0	BPR5ES-11	4424		BPR5EIX-11	2115
Classic SX		1573	2	1999-2002		1.0	BPR5ES-11	4424		BPR5EIX-11	2115
Legend SC		1573	2	1999-2002		1.0	BPR5ES-11	4424		BPR5EIX-11	2115
Outlaw SY		1573	2	1999-2002		1.0	BPR5ES-11	4424		BPR5EIX-11	2115
Slammer SZ		1573	2	1999-2002		1.0	BPR5ES-11	4424		BPR5EIX-11	2115
Stalker SR		1573	2	1999-2002		1.0	BPR5ES-11	4424		BPR5EIX-11	2115
Thunder SW		1573	2	1999-2002		1.0	BPR5ES-11	4424		BPR5EIX-11	2115
Bandit ST		1753	2	1999-2003		1.0	BPR5ES-11	4424		BPR5EIX-11	2115
Classic SX		1753	2	1999-2003		1.0	BPR5ES-11	4424		BPR5EIX-11	2115
Legend SC		1753	2	1999-2003		1.0	BPR5ES-11	4424		BPR5EIX-11	2115
Outlaw SY		1753	2	1999-2003		1.0	BPR5ES-11	4424		BPR5EIX-11	2115
Slammer SZ		1753	2	1999-2003		1.0	BPR5ES-11	4424		BPR5EIX-11	2115
Stalker SR		1753	2	1999-2003		1.0	BPR5ES-11	4424		BPR5EIX-11	2115
Thunder SW		1753	2	1999-2003		1.0	BPR5ES-11	4424		BPR5EIX-11	2115
Legend SC		1819	2	2004-		1.0	DCPR7E	3932		DCPR7EIX	6046
LSC		1819	2	2004-		1.0	DCPR7E	3932		DCPR7EIX	6046
Outlaw SY		1819	2	2004-		1.0	DCPR7E	3932		DCPR7EIX	6046
Slammer SZ		1819	2	2004-		1.0	DCPR7E	3932		DCPR7EIX	6046
Stalker SR		1819	2	2004-		1.0	DCPR7E	3932		DCPR7EIX	6046
Tejas SJ		1819	2	2004-		1.0	DCPR7E	3932		DCPR7EIX	6046
Texas Chopper SX		1819	2	2004-		1.0	DCPR7E	3932		DCPR7EIX	6046
Bandit ST		1852	2	1999-2003		1.0	BPR5ES-11	4424		BPR5EIX-11	2115
Classic SX		1852	2	1999-2003		1.0	BPR5ES-11	4424		BPR5EIX-11	2115
Legend SC		1852	2	1999-2003		1.0	BPR5ES-11	4424		BPR5EIX-11	2115
Outlaw SY		1852	2	1999-2003		1.0	BPR5ES-11	4424		BPR5EIX-11	2115
Slammer SZ		1852	2	1999-2003		1.0	BPR5ES-11	4424		BPR5EIX-11	2115
Stalker SR		1852	2	1999-2003		1.0	BPR5ES-11	4424		BPR5EIX-11	2115
Thunder SW		1852	2	1999-2003		1.0	BPR5ES-11	4424		BPR5EIX-11	2115
Legend SC		1918	2	2004-		1.0	DCPR7E	3932		DCPR7EIX	6046
Outlaw SY		1918	2	2004-		1.0	DCPR7E	3932		DCPR7EIX	6046
Slammer SZ		1918	2	2004-		1.0	DCPR7E	3932		DCPR7EIX	6046
Stalker SR		1918	2	2004-		1.0	DCPR7E	3932		DCPR7EIX	6046
Tejas SJ		1918	2	2004-		1.0	DCPR7E	3932		DCPR7EIX	6046
Texas Chopper SX		1918	2	2004-		1.0	DCPR7E	3932		DCPR7EIX	6046
Legend SC		2033	2	2003-2004		1.0	DCPR7E	3932		DCPR7EIX	6046
Outlaw SY		2033	2	2003-2004		1.0	DCPR7E	3932		DCPR7EIX	6046
Ranger T SG		2033	2	2003-		1.0	DCPR7E	3932		DCPR7EIX	6046
Slammer SZ		2033	2	2003-2004		1.0	DCPR7E	3932		DCPR7EIX	6046
Stalker SR		2033	2	2003-2004		1.0	DCPR7E	3932		DCPR7EIX	6046
Tejas SJ		2033	2	2003-2004		1.0	DCPR7E	3932		DCPR7EIX	6046
Texas Chopper SX		2033	2	2003-2004		1.0	DCPR7E	3932		DCPR7EIX	6046

AMERICAN PERFORMANCE CYCLE

High Roller S		1573	2	-	S&S	1.1	BPR5ES-11	4424		BPR5EIX-11	2115
Spirit S		1573	2	-	S&S	1.1	BPR5ES-11	4424		BPR5EIX-11	2115
High Roller 240		1819	2	-	S&S	1.0	DCPR7E	3932		DCPR7EIX	6046
Hustler 240		1819	2	-	S&S	1.0	DCPR7E	3932		DCPR7EIX	6046
Wild Card 240		1819	2	-	S&S	1.0	DCPR7E	3932		DCPR7EIX	6046
High Roller 280		1918	2	-	S&S	1.0	DCPR7E	3932		DCPR7EIX	6046
Wild Card 280		1918	2	-	S&S	1.0	DCPR7E	3932		DCPR7EIX	6046

APOLLO

Explorer Mini Cross 110		125	1	-		0.8	CR7HSA	4549		CR7HIX	7544
-------------------------	--	-----	---	---	--	-----	--------	------	--	--------	------

* Bitte Elektrodenabstand nach Angaben des Herstellers justieren

* Please adjust the ground electrode gap

* Veuillez vérifier l'écartement

* Por favor, ajustar la distancia entre los electrodos

* Regolare il gap

* Iridium IX Spark Plug is the standard recommendation





Stock No.

Quick No.

Upgrade ↑

Stock No. ↑

APOLLO

Mini Motocross 110		125	1	-		0.8	CR7HSA	4549		CR7HIX	7544
Ride Mini Motocross 110		125	1	-		0.8	CR7HSA	4549		CR7HIX	7544
Explorer Mini Cross 250		250	1	-		0.9	DP8EA-9	5829		DPR8EIX-9	2202
Mini Motocross 250		250	1	-		0.9	DP8EA-9	5829		DPR8EIX-9	2202
Ride Mini Motocross 250		250	1	-		0.9	DP8EA-9	5829		DPR8EIX-9	2202

APRILIA

Amico 25	MK	25	1	1996-		0.5	BR7HS	4737		BR7HIX	7067
AF1 50		50	1	1992-1993	Engine AM3	0.5	B9ES	2611	Q202	BR9EIX	3981
Area 51 Superbike		50	1	1999-2003		0.7	BR8HS	4915	Q212	BR8HIX	7001
Area 51 Tetsuya		50	1	1999-2003		0.7	BR8HS	4915	Q212	BR8HIX	7001
Classic 50		50	1	1995-1997	Engine AM3/5	0.5	B9ES	2611	Q202	BR9EIX	3981
Classic 50		50	1	1997-2002	Engine AM5	0.8	BR8ES	5422	Q207	BR8EIX	5044
Extrema 50		50	1	1993-		0.5	B8ES	2411	Q201	BR8EIX	5044
Gulliver 50		50	1	1995-2001	Air	0.5	BR7HS	4737		BR7HIX	7067
Gulliver 50		50	1	1996-2001	Water fluid	0.7	BR8HS	4915	Q212	BR8HIX	7001
Habana 50		50	1	1999-2002		0.6	BPR8HS	3725		BPR8HIX	6742
Mojito Custom 50		50	1	2002-		0.6	BPR8HS	3725		BPR8HIX	6742
Mojito Custom 50		50	1	2004-	PIAGGIO	0.6	BR10ES	4832		BR10EIX	6801
MX 50		50	1	2002-2004	Engine AM6	0.6	BR9ES	5722		BR9EIX	3981
Rally 50		50	1	1995-2001	Air	0.5	BR7HS	4737		BR7HIX	7067
Rally 50		50	1	1996-2001	Water fluid	0.5	BR8HS	4915	Q212	BR8HIX	7001
Red Rose 50		50	1	1992-1994	Engine AM3	0.5	B9ES	2611	Q202	BR9EIX	3981
RS4		50	1	2011-		0.8	BR8ES	5422	Q207	BR8EIX	5044
RS 50		50	1	1993-1996	Engine AM5	0.5	B8ES	2411	Q201	BR8EIX	5044
RS 50		50	1	1997-2005	Engine AM6	0.8	BR8ES	5422	Q207	BR8EIX	5044
RS 50		50	1	2006-	PIAGGIO	0.6	BR9ES	5722		BR9EIX	3981
RX 50		50	1	1994-1996	Engine AM5	0.5	B9ES	2611	Q202	BR9EIX	3981
RX 50		50	1	1997-2005	Engine AM6	0.6	BR9ES	5722		BR9EIX	3981
RX 50		50	1	2006-	PIAGGIO	0.6	BR9ES	5722		BR9EIX	3981
RX 50		50	1	2014-		*	BR8ES	5422	Q207	BR8EIX	5044
RX 50 Racing		50	1	2003-2004	MINARELLI Engine AM6	0.6	BR9ES	5722		BR9EIX	3981
Scarabeo 50	TGE00	50	1	2009-2014		0.7	ER9EH-N	95748			
Scarabeo 50 2T		50	1	1993-2003		0.5	BR7HS	4737		BR7HIX	7067
Scarabeo 50 2T		50	1	2010-	PIAGGIO	0.6	BR8ES	5422	Q207	BR8EIX	5044
Scarabeo 50 4T		50	1	2001-		0.7	CR8EB	7784			
Scarabeo 50 DiTech		50	1	2000-2004	Engine DiTech	0.6	CPR8E	7411			
Scarabeo 50 Street		50	1	2005-		0.8	BR9ES	5722		BR9EIX	3981
Sonic 50		50	1	1998-2003	Water fluid	0.6	BR8HS	4915	Q212	BR8HIX	7001
Sonic 50		50	1	1998-2003	Air	0.5	BR7HS	4737		BR7HIX	7067
Sonic 50		50	1	2003-		0.6	BR8HS	4915	Q212	BR8HIX	7001
Sonic FT 50 2T		50	1	1998-2001	Air	0.5	BR8HS	4915	Q212	BR8HIX	7001
Sonic GP 50 2T		50	1	1998-2005	Water fluid	0.5	BR8HS	4915	Q212	BR8HIX	7001
Sportcity One		50	1	2008-		0.7	CR8EB	7784			
Sportcity One 50 2T Street		50	1	2008-		0.6	BR9ES	5722		BR9EIX	3981
Sportcity One 50 4T		50	1	2008-		0.7	PMR7A	4259			
SR 50		50	1	1994-2001	MINARELLI Water fluid	0.7	BR8HS	4915	Q212	BR8HIX	7001
SR 50		50	1	1996-1999	Water fluid	0.6	BR8HS	4915	Q212	BR8HIX	7001
SR 50 AC		50	1	1993-2001	MINARELLI Air	0.7	BR7HS	4737		BR7HIX	7067
SR 50 Carb		50	1	2004-	14mm Thread Size / 19mm Thread Reach	0.6	BR9ES	5722		BR9EIX	3981

* Bitte Elektrodenabstand nach Angaben des Herstellers justieren

* Please adjust the ground electrode gap

* Veuillez vérifier l'écartement

* Por favor, ajustar la distancia entre los electrodos

* Regolare il gap

** Iridium IX Spark Plug is the standard recommendation





Stock No.

Quick No.

Upgrade ↑

Stock No. ↑

APRILIA

SR 50 Di Tech		50	1	2001-2004		0.8	CPR8E	7411			
SR 50 Di Tech Injection		50	1	2005-		0.8	ZMR7AP	6914			
SR 50 i.e. LC		50	1	2000-2004		0.6	CPR8E	7411			
SR 50 i.e. Pure Jet		50	1	2004-		0.8	ZMR7AP	6914			
SR 50 LC		50	1	2000-2003	APRILIA	0.7	BPR8HS	3725		BPR8HIX	6742
SR 50 Motard		50	1	2012-		0.6	BR8ES	5422	Q207	BR8EIX	5044
SR 50 R		50	1	2004-	PIAGGIO	0.6	BR9ES	5722		BR9EIX	3981
SR 50 Racing		50	1	1996-		0.7	BR7HS	4737		BR7HIX	7067
SR 50 Racing & Sport		50	1	2000-	Water fluid	0.7	BPR7HS	6422		BPR7HIX	5944
SR 50 R - Factory		50	1	2004-	PIAGGIO	0.6	CPR8E	7411			
SR 50 R - Factory Replica SBK		50	1	2008-	PIAGGIO	0.6	CPR8E	7411			
SR 50 R - Replica SBK		50	1	2008-		0.6	BR9ES	5722		BR9EIX	3981
SR 50 Stealth		50	1	1996-		0.7	BR7HS	4737		BR7HIX	7067
SR 50 Street		50	1	2004-	PIAGGIO	0.8	BR9ES	5722		BR9EIX	3981
SR 50 WWW		50	1	2001-2002		0.6	BR7HS	4737		BR7HIX	7067
SX 50		50	1	2008-	PIAGGIO 8hp	0.6	BR9ES	5722		BR9EIX	3981
Tuono 50		50	1	2003-2004	Engine AM6	0.6	BR9ES	5722		BR9EIX	3981
Scarabeo 100 2T		100	1	2000-2002		0.7	BR8HS	4915	Q212	BR8HIX	7001
Scarabeo 100 4T		100	1	2000-2013		0.7	CR9E	6263	Q227	CR9EIX	3521
Scarabeo 100 4T		100	1	2014-		0.7	CR9EB	6955			
Atlantic 125		125	1	2003-		0.6	CR8EB	7784			
Classic 125		125	1	1996-2002	15hp	0.8	BR8ES	5422	Q207	BR8EIX	5044
Classic 125		125	1	1996-2002		0.5	BR10EG	3830			
ETX 125		125	1	1999-2002	ROTAX	0.8	BR8ES	5422	Q207	BR8EIX	5044
Habana 125		125	1	1999-2001		0.7	CR7E	4578	Q225	CR7EIX	7385
Habana Custom 125		125	1	1999-2001		0.7	CR7E	4578	Q225	CR7EIX	7385
Leonardo 125		125	1	1995-2001		0.7	CR8E	4854	Q226	CR8EIX	4218
Leonardo 125 ST		125	1	1996-		0.6	CR8E	4854	Q226	CR8EIX	4218
Mojito 125		125	1	2002-2004		0.6	CR8E	4854	Q226	CR8EIX	4218
Mojito Custom 125		125	1	2002-		0.8	CR7EB	4663			
MX 125		125	1	2004-2006		0.8	BR8ES	5422	Q207	BR8EIX	5044
RS 125		125	1	1992-1997		0.5	BR10EG	3830			
RS 125		125	1	1996-	15hp	0.8	BR8ES	5422	Q207	BR8EIX	5044
RS 125		125	1	1996-		0.5	BR10EG	3830			
RS 125		125	1	2017-	15hp	0.7	CR9E	6263	Q227	CR9EIX	3521
RS 125 Extrema		125	1	1993-		0.5	BR10EG	3830			
RS 125 Replica		125	1	1993-		0.5	BR10EG	3830			
RS 125 R Extrema		125	1	1993-	12hp	0.5	BR8ES	5422	Q207	BR8EIX	5044
RS 125 R Extrema		125	1	1993-		0.5	BR10EG	3830			
RS 125 Tuono		125	1	2003-		0.6	BR8ES	5422	Q207	BR8EIX	5044
RS4		125	1	2011-		0.7	CR9EB	6955			
RX 125		125	1	1994-1996		0.5	BR10EG	3830			
RX 125		125	1	2008-	28hp	0.5	BR10EG	3830			
RX 125		125	1	2008-	15hp	0.8	BR8ES	5422	Q207	BR8EIX	5044
Scarabeo 125		125	1	1999-2009		0.6	CR8EB	7784			
Scarabeo 125 GT		125	1	2002-2007		0.6	CR8EB	7784			
Scarabeo 125 i.e.		125	1	2009-		0.7	PMP9B	4717			
Scarabeo Light		125	1	1999-		0.6	CR8E	4854	Q226	CR8EIX	4218
Scarabeo Street		125	1	2006-		0.7	CR9EB	6955			
Sportcity 125		125	1	2004-2008		0.6	CR8E	4854	Q226	CR8EIX	4218
Sportcity Cube 125		125	1	2008-		0.8	CR8EB	7784			
Sportcity One 125		125	1	2008-		0.8	CR7EB	4663			

*Bitte Elektrodenabstand nach Angaben des Herstellers justieren

*Please adjust the ground electrode gap

*Veuillez vérifier l'écartement

* Por favor, ajustar la distancia entre los electrodos

*Regolare il gap

* Iridium IX Spark Plug is the standard recommendation





Stock No.

Quick No.

Upgrade ↑

Stock No. ↑

APRILIA

Sport Pro 125		125	1	1992-1993		0.5	BR10EG	3830			
SR 125		125	1	1999-2002		0.6	BR8ES	5422	Q207	BR8EIX	5044
SR 125 AC		125	1	2000-		0.5	BR8ES	5422	Q207	BR8EIX	5044
SR 125 MAX		125	1	2011-		0.7	CR8EKB	4374			
SR 125 Motard		125	1	2012-		0.8	CR7EB	4663			
SX 125		125	1	2008-	15hp	0.5	BR8ES	5422	Q207	BR8EIX	5044
SX 125		125	1	2008-		0.5	BR10EG	3830			
Tuono 125		125	1	2003-2004	15hp	0.7	BR8ES	5422	Q207	BR8EIX	5044
Leonardo 150		150	1	1997-2002		0.7	CR8E	4854	Q226	CR8EIX	4218
Leonardo 150 ST		150	1	1999-		0.6	CR8E	4854	Q226	CR8EIX	4218
Leonardo 150 ST		150	1	2002-2006		0.8	CR8E	4854	Q226	CR8EIX	4218
Mojito 150		150	1	2003-2006		0.7	CR7EB	4663			
Scarabeo 150		150	1	1999-2003		0.6	CR8E	4854	Q226	CR8EIX	4218
SR 150		150	1	1999-2002		0.6	BR9ES	5722		BR9EIX	3981
Atlantic 200		200	1	2002-2005		0.8	CR8EB	7784			
Scarabeo 200		200	1	2000-2009		0.8	CR8EB	7784			
Scarabeo 200		200	1	2009-		0.6	CR8E	4854	Q226	CR8EIX	4218
Scarabeo 200 i.e.		200	1	2009-		0.7	PMR9B	4717			
Scarabeo Street		200	1	2006-		0.7	CR9EB	6955			
Sportcity 200		200	1	2004-2008		0.6	CR7EB	4663			
Sportcity 200 Cube		200	1	2008-		0.8	CR8EB	7784			
Atlantic 250		250	1	2004-2006		0.7	CR8EB	7784			
Atlantic 250 i.e.		250	1	2004-2009		0.7	PMR8B	6378			
Grande 250	VBD00	250	1	2011-2013	34hp	0.7	PMR8B	6378			
Leonardo 250		250	1	1999-		0.6	DR8EA	7162		DR8EIX	6681
RS 250		250	2	1994-		0.7	BR9ECM	3252		BR9ECMIX	2707
RS 250		250	1	1995-2000		0.5	BR9ECM	3252		BR9ECMIX	2707
Scarabeo 250		250	1	2004-2010		0.7	PMR8B	6378			
Scarabeo 250	M285M	250	1	2004-2006	22hp	0.7	CR8EB	7784			
Scarabeo 250 ie		250	1	2006-		0.7	PMR8A	5851			
Sportcity 250		250	1	2004-		0.7	CR8EB	7784			
Sportcity 250 ie		250	1	2006-2008		0.7	PMR8B	6378			
Atlantic 300		278	1	2009-	22hp	0.7	CR8EKB	4374			
Leonardo 250		278	1	1998-2004		0.7	DR8EA	7162		DR8EIX	6681
Scarabeo 300 Special		278	1	2009-		0.7	CR8EKB	4374			
Sportcity Cube 300		278	1	2008-		0.7	CR8EKB	4374			
Atlantic 300 ie	SPG00	300	1	2010-2013	22hp	0.8	CR8EKB	4374			
Leonardo (PD) (SV)		300	1	1998-2000		0.6	DR7EA	7839		DR7EIX	5686
Leonardo 300		300	1	2004-2007		0.6	DR7EA	7839		DR7EIX	5686
Leonardo ST		300	1	2005-		0.6	DR8EA	7162		DR8EIX	6681
Scarabeo		300	1	2009-		0.7	CR8EKB	4374			
Scarabeo Special		300	1	-		0.7	CR8EKB	4374			
Sportcity 300 ie Cube		300	1	2008-		0.7	CR8EKB	4374			
Sportcity 300 ie Cube	VBL00	300	1	2009-2013	23hp	0.8	CR8EKB	4374			
SR 300 MAX		300	1	2011-		0.7	CR8EKB	4374			
Atlantic 400 ie	VR000	400	1	2006-2009	33hp	0.8	CR7EKB	4455			
Atlantic Sprint		400	1	2006-		0.7	CR7EKB	4455			
Scarabeo 400		400	1	2007-		0.8	CR7EKB	4455			
MXV 4.5		450	2	2009-2015		0.7	CR8EKB	4374			
RXV 4.5		450	2	2006-2013		0.7	CR8EKB	4374			
SXV 4.5		450	2	2006-2015		0.7	CR8EKB	4374			
Atlantic 500		500	1	2002-2004	37hp	0.7	CR7EKB	4455			

* Bitte Elektrodenabstand nach Angaben des Herstellers justieren

* Please adjust the ground electrode gap

* Veuillez vérifier l'écartement

* Por favor, ajustar la distancia entre los electrodos

* Regolare il gap

** Iridium IX Spark Plug is the standard recommendation





Stock No.

Quick No.

Upgrade ↑

Stock No. ↑

APRILIA

Atlantic 500 Sprint		500	1	2002-2008	37hp	0.8	CR7EKB	4455			
Scarabeo 500	RT00	500	1	2002-2005		0.8	CR7EKB	4455			
Scarabeo 500 ABS		500	1	2004-2006		0.7	CR7EKB	4455			
RXV 5.5		550	2	2006-2013		0.7	CR8EKB	4374			
SXV 5.5		550	2	2006-2015		0.7	CR8EKB	4374			
Moto 650 Moto 6.5		650	1	1995-2002		0.6	D8EA	2120	Q216	DR8EIX	6681
Pegaso 650		650	1	1992-1995		0.7	DR8EA	7162		DR8EIX	6681
Pegaso 650		650	1	1993-2000		0.6	D8EA	2120	Q216	DR8EIX	6681
Pegaso 650 Cube		650	1	1996-2000		0.7	DR8EA	7162		DR8EIX	6681
Pegaso 650 Factory		650	1	2007-2009		0.6	CR7E	4578	Q225	CR7EIX	7385
Pegaso 650 i.e.		650	1	2001-2005	27hp	0.7	DR8EB	4855			
Pegaso 650 i.e.		650	1	2001-2004	12mm Thread Size / 19mm Thread Reach 34hp	0.7	DR8EB	4855			
Pegaso 650 Strada		650	1	2005-		0.6	CR7E	4578	Q225	CR7EIX	7385
Pegaso 650 Trail		650	1	2006-2009		0.6	CR7E	4578	Q225	CR7EIX	7385
Pegaso 650 Strada		660	1	2006-2009		0.6	CR7E	4578	Q225	CR7EIX	7385
Dorsoduro 750	SM	750	2	2008-2016		0.8	CR7EKB	4455			
Dorsoduro 750 Factory	SM	750	2	2007-2016		0.8	CR7EKB	4455			
Shiver 750	RA	750	2	2007-2016		0.8	CR7EKB	4455			
Shiver 750 GT		750	2	2009-		0.8	CR7EKB	4455			
SL 750 Shiver		750	2	2007-		0.8	CR7EKB	4455			
Mana 850		850	2	2007-2016	Twin Spark 76hp	0.8	CR7EKB	4455			
Mana 850 GT		850	2	2009-2016	Twin Spark 76hp	0.8	CR7EKB	4455			
SRV 850		850	2	2012-		0.8	CR7EKB	4455			
Dorsoduro 900	KB	900	2	2017-	95hp	0.7	CR8EKB	4374			
Shiver 900	KH	900	2	2017-	95hp	0.7	CR8EKB	4374			
ETV 1000 Caponord		1000	2	2001-2008		0.7	DCPR9E	2641		DCPR9EIX	2316
RST 1000 Futura		1000	2	2001-2004		0.7	DCPR9E	2641		DCPR9EIX	2316
RSV 1000		1000	2	1999-2004		0.7	DCPR9E	2641		DCPR9EIX	2316
RSV 1000		1000	2	2005-2009		0.7	DCPR9E	2641		DCPR9EIX	2316
RSV 1000 Mille		1000	2	1998-2000		0.6	DCPR8E	4339		DCPR8EIX	6546
RSV 1000 Mille		1000	2	2001-2003		0.6	DCPR9E	2641		DCPR9EIX	2316
RSV 1000 Mille Factory		1000	2	2004-2005		0.6	DCPR9E	2641		DCPR9EIX	2316
RSV 1000 Mille R		1000	2	1999-2001		0.6	DCPR8E	4339		DCPR8EIX	6546
RSV 1000 Mille R		1000	2	2002-2005		0.6	DCPR9E	2641		DCPR9EIX	2316
RSV 1000 Mille SP		1000	2	2000-		1.1	R0045Q-10	4216			
RSV 1000 Mille Tuono		1000	2	2002-2003		0.6	DCPR9E	2641		DCPR9EIX	2316
RSV 1000 Mille Tuono Fighter		1000	2	2003-		0.6	DCPR9E	2641		DCPR9EIX	2316
RSV 1000 Mille Tuono R		1000	2	2002-2003		0.6	DCPR9E	2641		DCPR9EIX	2316
RSV 1000 Mille Tuono Racing		1000	2	2003-		0.6	DCPR9E	2641		DCPR9EIX	2316
RSV 1000 R		1000	2	2000-2004		0.7	DCPR9E	2641		DCPR9EIX	2316
RSV 1000 R		1000	2	2004-		0.6	DCPR9E	2641		DCPR9EIX	2316
RSV 1000 R Factory		1000	2	2004-		0.6	DCPR9E	2641		DCPR9EIX	2316
RSV 1000 R Factory		1000	2	2005-2009		0.7	DCPR9E	2641		DCPR9EIX	2316
RSV 1000 R NERA		1000	2	2004-		0.6	DCPR9E	2641		DCPR9EIX	2316
RSV 1000 SP		1000	2	1999-2000		1.1	R0045Q-10	4216			
RSV 1000 Tuono R		1000	2	2002-		0.6	DCPR9E	2641		DCPR9EIX	2316
RSV 1000 Tuono V4		1000	2	2011-		0.7	CR9EKB	2305			
RSV 1000 Tuono V4R		1000	2	2011-		0.7	CR9EKB	2305			
RSV4 1000 APRC R		1000	4	2011-		0.7	CR9EB	6955			

* Bitte Elektrodenabstand nach Angaben des Herstellers justieren

* Please adjust the ground electrode gap

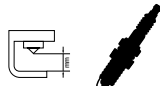
* Veuillez vérifier l'écartement

* Por favor, ajustar la distancia entre los electrodos

* Regolare il gap

* Iridium IX Spark Plug is the standard recommendation





Stock No.

Quick No.

Upgrade ↑

Stock No. ↑

APRILIA

RSV4 1000 APRC R Factory		1000	4	2011-		0.7	CR9EB	6955			
RSV4 1000 Factory		1000	4	2009-		0.7	CR9EB	6955			
RSV4 1000 Factory SPRC SE		1000	4	2010-		0.7	CR9EB	6955			
RSV4 1000 R		1000	4	2010-		0.7	CR9EB	6955			
SL 1000 Falco	PA000	1000	2	1999-2004		0.7	DCPR9E	2641		DCPR9EIX	2316
Tuono 1000		1000	4	2002-2004		0.7	DCPR9E	2641		DCPR9EIX	2316
Tuono 1000 R		1000	4	2005-2010		0.7	DCPR9E	2641		DCPR9EIX	2316
Tuono 1000 R Factory		1000	4	2005-2010		0.7	DCPR9E	2641		DCPR9EIX	2316
Tuono Factory		1000	2	2006-		0.6	DCPR9E	2641		DCPR9EIX	2316
Tuono V4 R		1000	4	2011-2014		0.8	CR9EKB	2305			
RSV4 Factory		1100	4	2019-	217hp Water fluid	0.7	CR9EKB	2305			
Tuono 1100 V4		1100	4	2011-		0.7	CR9EKB	2305			
Tuono 1100 V4 Factory		1100	4	2015-	175hp	0.7	CR9EKB	2305			
Tuono 1100 V4 RR		1100	4	2015-	175hp	0.7	CR9EKB	2305			
Caponord 1200		1200	2	2013-	Twin Spark	0.7	CR8EKB	4374			
Dorsoduro 1200		1200	2	2010-		0.7	CR9EKB	2305			

ATALA

Byte		50	1	-		0.6	B7HS	5110		BR7HIX	7067
Byte 25		50	1	1996-		0.6	BPR6HS	7022		BPR6HIX	4085
Byte 50		50	1	1996-		0.6	BPR6HS	7022		BPR6HIX	4085
Carosello		50	1	-		0.6	B7HS	5110		BR7HIX	7067
Hacker		50	1	-		0.6	BPR6HS	7022		BPR6HIX	4085
Hacker AT12		50	1	1996-		0.5	BPR6HS	7022		BPR6HIX	4085
Hacker AT12 Racing		50	1	1996-		0.5	BPR6HS	7022		BPR6HIX	4085
Hacker AT12 Racing LC		50	1	1996-	Water fluid	0.5	BPR6HS	7022		BPR6HIX	4085
Hacker Racing		50	1	-		0.6	BPR6HS	7022		BPR6HIX	4085
Master LF		50	1	1996-		0.5	B6HS	4510		BR6HIX	3419
Racing		50	1	1996-		0.5	BPR6HS	7022		BPR6HIX	4085
Skeggia		50	1	1998-		0.6	BPR6HS	7022		BPR6HIX	4085

ATK

50 Mini Cross		50	1	1999-2001		0.5	B7HS	5110		BR7HIX	7067
50 MX		50	1	1999-2003		0.5	B7HS	5110		BR7HIX	7067
125		125	1	1999-2003	Water fluid	0.5	B10ES	7928		BR10EIX	6801
125 Enduro		125	1	2003-	Water fluid	0.7	D8EA	2120	Q216	DR8EIX	6681
250		250	1	1995-2003	Water fluid	0.5	B8ES	2411	Q201	BR8EIX	5044
260		260	1	1995-2002	Water fluid	0.5	B8ES	2411	Q201	BR8EIX	5044
450		450	1	2003-2003	Air	0.5	B8ES	2411	Q201	BR8EIX	5044
500 Dirt Track		490	1	1999-2003		0.5	D8EA	2120	Q216	DR8EIX	6681
500 Dirt Track		500	1	1999-2003		0.7	D8EA	2120	Q216	DR8EIX	6681
500 Enduro		500	1	1998-2003		0.7	D8EA	2120	Q216	DR8EIX	6681
500 Supermotard		500	1	2001-2002		0.5	D8EA	2120	Q216	DR8EIX	6681
604		560	1	1993-		0.5	D8EA	2120	Q216	DR8EIX	6681
600 Dirt Track		600	1	1998-2003	Air	0.7	D8EA	2120	Q216	DR8EIX	6681
600 Supermotard		600	1	2001-2002		0.7	D8EA	2120	Q216	DR8EIX	6681
600 Supermotard		600	1	2003-2003		0.8	CR9EK	5600	Q230		
605 Cross Country		600	1	1993-2000		0.5	D8EA	2120	Q216	DR8EIX	6681
605 Dirt Track		600	1	1998-2003		0.5	D8EA	2120	Q216	DR8EIX	6681
605 Enduro		600	1	1993-2003	Air	0.7	D8EA	2120	Q216	DR8EIX	6681
605 Enduro		600	1	1993-2000		0.5	D8EA	2120	Q216	DR8EIX	6681

*Bitte Elektrodenabstand nach Angaben des Herstellers justieren

*Please adjust the ground electrode gap

*Veuillez vérifier l'écartement

* Por favor, ajustar la distancia entre los electrodos

*Regolare il gap

** Iridium IX Spark Plug is the standard recommendation





Stock No.

Quick No.

Upgrade ↑

Stock No. ↑

AT MOTO

S 3800 (Velo Solex)		50	1	-		0.6	B6HS	4510		BR6HIX	3419
----------------------------	--	----	---	---	--	-----	------	------	--	--------	------

BAJAJ

Bonnie 50		50	1	1993-		0.5	B6HS	4510		BR6HIX	3419
Spirit		50	1	1999-		0.5	B6HS	4510		BR6HIX	3419
Sunny 50		50	1	1997-		0.5	B6HS	4510		BR6HIX	3419
KB100		100	1	1993-		0.5	B8ES	2411	Q201	BR8EIX	5044
Chetak		125	1	-		0.6	BP5HS	4111			
Chetak 125 Electr.		125	1	-		0.6	BP6HS	4511		BPR6HIX	4085
Chetak 125 Electr.D		125	1	-		0.6	BP6HS	4511		BPR6HIX	4085
Vespa		125	1	1993-		0.5	B6HS	4510		BR6HIX	3419
Chetak		150	1	-		0.6	BP5HS	4111			
Chetak 150 Classic		150	1	-		0.6	BPR5HS	6222			
Chetak 150 Classic Green		150	1	-		0.6	BPR5HS	6222			
Chetak 150 Classic Sidec		150	1	-		0.6	BPR5HS	6222			
Chetak 150 Electr.		150	1	-		0.6	BPR5HS	6222			
Chetak 150 Electr.D		150	1	-		0.6	BPR5HS	6222			
Pulsar 200 NS		200	1	-	Triple Spark 2x CPR8EA-9 + 1x LKAR8A-9	0.9	CPR8EA-9 LKAR8A-9	2306 4786		CPR8EAIX-9	96067

BAOTIAN

BT49QT-11 (Retro)		50	1	-		0.6	CR7HSA	4549		CR7HIX	7544
BT49QT-12C1		50	1	-		0.6	CR7HSA	4549		CR7HIX	7544
BT49QT-12D1		50	1	-		0.6	CR7HSA	4549		CR7HIX	7544
BT49QT-12E1		50	1	-		0.6	CR7HSA	4549		CR7HIX	7544
BT49QT-12F1 (2V)		50	1	-		0.6	CR7HSA	4549		CR7HIX	7544
BT49QT-2		50	1	-		0.6	CR7HSA	4549		CR7HIX	7544
BT49QT-7A1		50	1	-		0.6	CR7HSA	4549		CR7HIX	7544
BT49QT-9D1 / 2		50	1	-		0.6	CR7HSA	4549		CR7HIX	7544
Eagle		50	1	-		*	CR7HSA	4549		CR7HIX	7544
Falcon		50	1	-		*	CR7HSA	4549		CR7HIX	7544
BT110-2		110	1	2004-		0.6	CR7HSA	4549		CR7HIX	7544
BT125QT-2B		125	1	-		0.6	CR7HSA	4549		CR7HIX	7544
BT125T-12		125	1	-		0.6	CR7HSA	4549		CR7HIX	7544
BT125T-12C1		125	1	-		0.6	CR7HSA	4549		CR7HIX	7544
BT125T-2		125	1	-		0.6	CR7HSA	4549		CR7HIX	7544
BT125T-7		125	1	-		0.6	CR7HSA	4549		CR7HIX	7544
BT125T-9		125	1	-		0.6	CR7HSA	4549		CR7HIX	7544
Citybike 125		125	1	2004-		0.6	CR7HSA	4549		CR7HIX	7544
Monza		125	1	-		0.6	CR7HSA	4549		CR7HIX	7544
Tanco 125		125	1	2004-		0.6	CR7HSA	4549		CR7HIX	7544

BAROSSA MOTOR

XS125T-13		125	1	2007-		0.6	CR7HSA	4549		CR7HIX	7544
------------------	--	-----	---	-------	--	-----	--------	------	--	--------	------

BASHAN

BS 110 GY		110	1	2001-		0.6	C7HSA	4629		CR7HIX	7544
BS 125 GY		125	1	2001-		0.6	D8EA	2120	Q216	DR8EIX	6681
BS 200 GY		200	1	2001-		0.6	D8EA	2120	Q216	DR8EIX	6681
Vixen VX250		250	1	2006-		0.7	DR8EA	7162		DR8EIX	6681

BEELINE

Veloce GT 50		50	1	2009-		0.6	C7HSA	4629		CR7HIX	7544
Veloce Racing		50	1	2009-		0.6	C7HSA	4629		CR7HIX	7544

*Bitte Elektrodenabstand nach Angaben des Herstellers justieren

*Please adjust the ground electrode gap

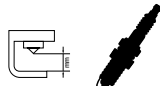
*Veuillez vérifier l'écartement

* Por favor, ajustar la distancia entre los electrodos

*Regolare il gap

* Iridium IX Spark Plug is the standard recommendation





Stock No.

Quick No.

Upgrade ↑

Stock No. ↑

BELGARDA

DT		125	1	-	YAMAHA	0.5	B9ES	2611	Q202	BR9EIX	3981
TDR		125	1	-	YAMAHA	0.5	B9ES	2611	Q202	BR9EIX	3981
TZR		125	1	-	YAMAHA	0.5	B9ES	2611	Q202	BR9EIX	3981
TZR 125 R P		125	1	-	YAMAHA	0.5	BR10EIX**	6801			
TZR 125 R S		125	1	-	YAMAHA	0.5	BR10EIX**	6801			

BENELLI

3G2		50	1	-		0.5	B6ES	7310			
491		50	1	-	Italy	0.6	BR8ES	5422	Q207	BR8EIX	5044
491 GP-RR		50	1	1999-		0.7	BR7HS	4737		BR7HIX	7067
491 GP-SP		50	1	1999-		0.7	BR7HS	4737		BR7HIX	7067
491 GT		50	1	1997-	Air	0.6	BR7HS	4737		BR7HIX	7067
491 Racing		50	1	1997-	Water fluid	0.6	BR7HS	4737		BR7HIX	7067
491 Rage ST		50	1	2000-		0.7	BR8HS	4915	Q212	BR8HIX	7001
491 SBK		50	1	2000-		0.7	BR8HS	4915	Q212	BR8HIX	7001
491 Sport		50	1	1997-	Water fluid	0.6	BR7HS	4737		BR7HIX	7067
491 ST GP		50	1	2000-		0.7	BR8HS	4915	Q212	BR8HIX	7001
491 Superbike		50	1	1999-	Water fluid	0.6	BR7HS	4737		BR7HIX	7067
49X Quattro Nove		50	1	2008-		0.6	BR8HSA	5539			
49X Road		50	1	2008-		0.6	BR8HSA	5539			
49X Trek		50	1	2008-		0.6	BR8HSA	5539			
AI		50	1	-		0.6	B6HS	4510		BR6HIX	3419
AI		50	1	-		0.5	B6HS	4510		BR6HIX	3419
Cross		50	1	-		0.5	B6ES	7310			
Gentleman		50	1	-		0.5	B5ES	6410			
GT	491	50	1	1997-	Air	0.6	BR8ES	5422	Q207	BR8EIX	5044
K2 AC		50	1	1998-	Air	0.6	BR7HS	4737		BR7HIX	7067
K2 LC		50	1	1999-	Water fluid	0.6	BR7HS	4737		BR7HIX	7067
K2 Namur		50	1	2000-		0.7	BR8HS	4915	Q212	BR8HIX	7001
Laser 50		50	1	-		0.5	B6HS	4510		BR6HIX	3419
LC - Army	491	50	1	1997-		0.6	BR8ES	5422	Q207	BR8EIX	5044
LC cat. Racing & Sport	491	50	1	1999-		0.6	BR8HS	4915	Q212	BR8HIX	7001
LC - Racing	491	50	1	1997-		0.6	BR8ES	5422	Q207	BR8EIX	5044
LC - SBK	491	50	1	1997-		0.6	BR8ES	5422	Q207	BR8EIX	5044
LC - Sport	491	50	1	1997-		0.6	BR8ES	5422	Q207	BR8EIX	5044
Magnum 3V		50	1	-		0.5	B7ES	1111		BR7EIX	6664
Magnum 5V		50	1	-		0.5	B5ES	6410			
Motorella		50	1	-		0.5	B6ES	7310			
Naked 50		50	1	-		0.6	BR8HS	4915	Q212	BR8HIX	7001
Pepe		50	1	1999-		0.6	BR7HS	4737		BR7HIX	7067
Pepe 50 Classic		50	1	2010-		0.6	BR7HS	4737		BR7HIX	7067
Pepe Kat		50	1	1999-		0.6	BR8HS	4915	Q212	BR8HIX	7001
Pepe LX		50	1	1999-		0.6	BR8HS	4915	Q212	BR8HIX	7001
Quattronove X 50 Offroad		50	1	2008-		0.7	BR8HS	4915	Q212	BR8HIX	7001
Quattronove X 50 Onroad		50	1	2008-		0.7	BR8HS	4915	Q212	BR8HIX	7001
Scoothy 50		50	1	-		0.6	B6HS	4510		BR6HIX	3419
Spring 50		50	1	-		0.5	B8ES	2411	Q201	BR8EIX	5044
Stilo		50	1	-		0.5	B6HS	4510		BR6HIX	3419
K2 100		100	1	1999-		0.7	BR8HS	4915	Q212	BR8HIX	7001
125		125	1	-		0.5	B6HS	4510		BR6HIX	3419
Cross 125		125	1	-		0.5	B7ES	1111		BR7EIX	6664
Jarno		125	1	-		0.5	B8ES	2411	Q201	BR8EIX	5044

*Bitte Elektrodenabstand nach Angaben des Herstellers justieren

*Please adjust the ground electrode gap

*Veuillez vérifier l'écartement

* Por favor, ajustar la distancia entre los electrodos

*Regolare il gap

** Iridium IX Spark Plug is the standard recommendation





Stock No.

Quick No.

Upgrade ↑

Stock No. ↑

BENELLI

Macis 125		125	1	2010-		0.6	CR8E	4854	Q226	CR8EIX	4218
Roadster		125	1	-		0.5	B7ES	1111		BR7EIX	6664
Scooter S		125	1	-		0.5	B7HS	5110		BR7HIX	7067
Scooter S-125		125	1	-		0.5	B7HS	5110		BR7HIX	7067
Velvet Eco 125		125	1	1999-		0.6	CR8E	4854	Q226	CR8EIX	4218
Adiva 150		150	1	-		0.6	CR8EB	7784			
Adiva 150		150	1	2001-2006		0.6	CR8E	4854	Q226	CR8EIX	4218
Macis 150		150	1	2010-		0.6	CR8E	4854	Q226	CR8EIX	4218
Velvet Eco 150		150	1	1999-		0.6	CR8E	4854	Q226	CR8EIX	4218
2CE		250	1	-		0.5	B7ES	1111		BR7EIX	6664
Caffé Nero 250		250	1	2008-		0.9	DPR8EA-9	4929	Q221	DPR8EIX-9	2202
Caffé Nero 250		250	1	2012-		0.6	CR8E	4854	Q226	CR8EIX	4218
Sport Speciale		250	1	-		0.5	B7ES	1111		BR7EIX	6664
Super		250	1	-		0.5	B8ES	2411	Q201	BR8EIX	5044
Velvet		250	1	2000-		0.6	CR8E	4854	Q226	CR8EIX	4218
Velvet 250 MY08		250	1	2008-		0.9	DPR8EA-9	4929	Q221	DPR8EIX-9	2202
Velvet Eco 250		250	1	2000-2007		0.7	DR8EA	7162		DR8EIX	6681
BN 302		300	2	2014-		0.7	CR9EB	6955			
Dusk 400		400	1	2005-		0.7	CR9E	6263	Q227	CR9EIX	3521
Velvet 400		400	1	2003-2004		0.7	CR9E	6263	Q227	CR9EIX	3521
BX 449		449	1	2007-		*	CR8EK	3478			
BN 600 GT		600	4	2014-		0.7	CR9E	6263	Q227	CR9EIX	3521
BN 600 GT	BN	600	4	2014-		0.7	CR9E	6263	Q227	CR9EIX	3521
BN 600 I		600	4	2014-		0.7	CR9E	6263	Q227	CR9EIX	3521
BN 600 R	BN	600	4	2013-		*	CR9E	6263	Q227	CR9EIX	3521
BN 600 R		600	4	2014-		0.7	CR9E	6263	Q227	CR9EIX	3521
Tornado 650		650	1	-		0.5	B8ES	2411	Q201	BR8EIX	5044
Tornado 650 S		650	1	-		0.5	B8ES	2411	Q201	BR8EIX	5044
Tornado 650 SV		650	1	-		0.5	B8ES	2411	Q201	BR8EIX	5044
Due 750		756		2007-		*	CR9E	6263	Q227	CR9EIX	3521
Century Racer 899		900	3	2010-		0.7	CR9E	6263	Q227	CR9EIX	3521
TNT 899		900	3	2007-		0.7	CR9E	6263	Q227	CR9EIX	3521
TNT 899 Cafè Racer		900	3	2009-		0.7	CR9E	6263	Q227	CR9EIX	3521
TNT 899 Sport		900	3	2007-		0.7	CR9E	6263	Q227	CR9EIX	3521
TNT 899 S-Tornado Naked		900	3	2008-		0.7	CR9E	6263	Q227	CR9EIX	3521
Tornado 900		900	3	2000-		0.7	CR9E	6263	Q227	CR9EIX	3521
Tornado 900 IE		900	3	2002-		0.8	CR8EIX**	4218			
Tornado 900 LE		900	3	2005-		0.6	C7E	5096		CR7EIX	7385
Tornado 900 Limited Edition		900	3	2000-		0.7	CR9E	6263	Q227	CR9EIX	3521
Tornado 900 RS		900	3	2005-		0.6	C7E	5096		CR7EIX	7385
Tornado 900 Tre		900	3	2005-		0.6	C7E	5096		CR7EIX	7385
Tre-K 899		900	3	2009-		0.7	CR9EB	6955			
Tre-K 899		900	3	2011-		*	CR9EB	6955			
TNT 1130		1130	3	2004-		0.7	CR9E	6263	Q227	CR9EIX	3521
TNT 1130 Cafe Racer		1130	3	2006-		0.7	CR9E	6263	Q227	CR9EIX	3521
TNT 1130 Century Racer		1130	3	2010-		0.7	CR9E	6263	Q227	CR9EIX	3521
TNT 1130 K	TNT	1130	3	2004-		0.7	CR9E	6263	Q227	CR9EIX	3521
TNT 1130 K		1130	3	2004-		0.7	CR9E	6263	Q227	CR9EIX	3521
TNT 1130 Sport Evo		1130	3	2006-		0.7	CR9E	6263	Q227	CR9EIX	3521
TNT 1130 Titanium	TNT	1130	3	2006-		0.8	CR9E	6263	Q227	CR9EIX	3521
TNT 1130 Titanium		1130	3	2006-		0.8	CR9E	6263	Q227	CR9EIX	3521

*Bitte Elektrodenabstand nach Angaben des Herstellers justieren

*Please adjust the ground electrode gap

*Veuillez vérifier l'écartement

* Por favor, ajustar la distancia entre los electrodos

*Regolare il gap

* Iridium IX Spark Plug is the standard recommendation





Stock No.

Quick No.

Upgrade ↑

Stock No. ↑

BENELLI

TNT R160		1130	3	2009-		0.7	CR9E	6263	Q227	CR9EIX	3521
TNT R160		1130	3	2010-		0.7	CR9EB	6955			
Tornado 1130 Edition Finale		1130	3	2011-		*	CR9EB	6955			
Tornado 1130 Tre		1130	3	-	163hp	0.7	CR9E	6263	Q227	CR9EIX	3521
Tornado Tre K		1130	3	2006-		0.7	CR9E	6263	Q227	CR9EIX	3521
Tre-K 1130		1130	3	2006-		0.7	CR9E	6263	Q227	CR9EIX	3521
Tre-K 1130 Amazonas		1130	3	2007-		0.7	CR9E	6263	Q227	CR9EIX	3521
Tre-K 1130 Amazonas		1130		2011-		*	CR9EB	6955			
Tre-K 1130 Amazonas		1130		2012-		*	CR9EB	6955			

BENZHOU

YY 50 QT		50	1	2008-		0.6	CR7HSA	4549		CR7HIX	7544
YY 125 T		125	1	-		0.6	CR7HSA	4549		CR7HIX	7544
YY 150		150	1	-		0.6	CR7HSA	4549		CR7HIX	7544
YY 250		250	1	2007-		0.6	DR8EA	7162		DR8EIX	6681

BETA

Alp 50		50	1	1993-		0.5	B8ES	2411	Q201	BR8EIX	5044
Ark 50 AC		50	1	1997-	Air	0.6	BR7HS	4737		BR7HIX	7067
Ark 50 AC One		50	1	2008-	Air	0.6	BR8HS	4915	Q212	BR8HIX	7001
Ark 50 AC Paddock		50	1	2009-	Air	0.6	BR8HS	4915	Q212	BR8HIX	7001
Ark 50 AC Tribe		50	1	2009-	Air	0.6	BR8HS	4915	Q212	BR8HIX	7001
Ark 50 K Serie		50	1	-		0.6	BR8HS	4915	Q212	BR8HIX	7001
Ark 50 LC		50	1	-	Water fluid	0.6	BR8HS	4915	Q212	BR8HIX	7001
Ark 50 LC		50	1	1997-	Water fluid	0.6	BR8HS	4915	Q212	BR8HIX	7001
Ark 50 LC One		50	1	2009-	Water fluid	0.6	BR8HS	4915	Q212	BR8HIX	7001
Ark 50 LC Paddock		50	1	2009-	Water fluid	0.6	BR8HS	4915	Q212	BR8HIX	7001
Ark 50 LC RR		50	1	2009-	Water fluid	0.6	BR8HS	4915	Q212	BR8HIX	7001
Ark 50 LC Tribe		50	1	2009-	Water fluid	0.6	BR8HS	4915	Q212	BR8HIX	7001
Ark 50 Limited LC		50	1	-	Water fluid	0.6	BR8HS	4915	Q212	BR8HIX	7001
Ark 50 RR		50	1	-		0.6	BR8HS	4915	Q212	BR8HIX	7001
Ark 50 Skull		50	1	2009-		0.6	BR8HS	4915	Q212	BR8HIX	7001
Ark 50 X Type		50	1	-		0.6	BR8HS	4915	Q212	BR8HIX	7001
Bad		50	1	-		0.5	B9ES	2611	Q202	BR9EIX	3981
Chrono 50		50	1	1995-		0.5	BR7HS	4737		BR7HIX	7067
Chrono 502		50	1	1995-		0.5	BR7HS	4737		BR7HIX	7067
Crono		50	1	-		0.5	BR7HS	4737		BR7HIX	7067
Eikon		50	1	1998-		0.6	BR8HS	4915	Q212	BR8HIX	7001
Enduro 50		50	1	-		0.7	BR10ES	4832		BR10EIX	6801
KR-50		50	1	-		0.5	B6ES	7310			
Minicross 10/10		50	1	2000-		0.5	B7HS	5110		BR7HIX	7067
Minicross 12/15		50	1	2000-		0.5	B7HS	5110		BR7HIX	7067
Minitrail		50	1	2000-		0.5	B7HS	5110		BR7HIX	7067
Motard 50		50	1	-		0.6	BR9ES	5722		BR9EIX	3981
Motard 50 Alu		50	1	-		0.6	BR9ES	5722		BR9EIX	3981
Motard 50 Racing		50	1	-		0.6	BR9ES	5722		BR9EIX	3981
MX 50		50	1	1993-		0.5	B9ES	2611	Q202	BR9EIX	3981
Quadra 50		50	1	1995-		0.6	BR7HS	4737		BR7HIX	7067
R10		50	1	-		0.5	B7HS	5110		BR7HIX	7067
R12		50	1	-		*	B7HS	5110		BR7HIX	7067
REV 50		50	1	2004-		0.5	B9ES	2611	Q202	BR9EIX	3981
RK 6-50		50	1	-		0.5	B8ES	2411	Q201	BR8EIX	5044
RR 50 Enduro		50	1	-		0.5	B10ES	7928		BR10EIX	6801

*Bitte Elektrodenabstand nach Angaben des Herstellers justieren
 *Please adjust the ground electrode gap
 *Veuillez vérifier l'écartement

* Por favor, ajustar la distancia entre los electrodos
 *Regolare il gap
 ** Iridium IX Spark Plug is the standard recommendation





Stock No.

Quick No.

Upgrade ↑

Stock No. ↑

BETA

RR 50 Enduro		50	1	1998-2005		0.7	BR10ES	4832		BR10EIX	6801
RR 50 Enduro		50	1	2009-		0.6	BR9ES	5722		BR9EIX	3981
RR 50 Enduro Racing		50	1	2009-		0.6	BR9ES	5722		BR9EIX	3981
RR 50 Enduro Standard		50	1	2009-		0.6	BR9ES	5722		BR9EIX	3981
RR 50 Motard		50	1	2000-		0.6	BR9ES	5722		BR9EIX	3981
RR 50 Motard Standard		50	1	2009-		0.6	BR9ES	5722		BR9EIX	3981
RR 50 Motard Track		50	1	2009-		0.6	BR9ES	5722		BR9EIX	3981
Supermotard 50		50	1	-		0.5	B10ES	7928		BR10EIX	6801
Supermotard 50		50	1	2002-2005		0.7	BR10ES	4832		BR10EIX	6801
Supermoto 50		50	1	-		0.7	BR10ES	4832		BR10EIX	6801
Super Trail 50		50	1	-		0.5	B8ES	2411	Q201	BR8EIX	5044
Tempo		50	1	-		0.5	BR7HS	4737		BR7HIX	7067
Tempo 50		50	1	1994-		0.5	BR7HS	4737		BR7HIX	7067
Tempo 50		50	1	1996-		0.5	BR7HS	4737		BR7HIX	7067
TR-50		50	1	-		0.5	B6ES	7310			
Zero 50		50	1	-		0.5	B9ES	2611	Q202	BR9EIX	3981
Zero Mini 50		50	1	-		0.5	B9ES	2611	Q202	BR9EIX	3981
Enduro 72		70	1	-		0.6	BR10HIX**	6692			
Supermoto 72		70	1	-		0.6	BR10HIX**	6692			
EVO 80		80	1	2008-		0.6	BR8ES	5422	Q207	BR8EIX	5044
EVO 80 JUNIOR		80	1	2008-		0.6	BR8ES	5422	Q207	BR8EIX	5044
M4 4-T		80	1	-		0.8	CR9EK	5600	Q230		
REV 80		80	1	2004-		0.5	B9ES	2611	Q202	BR9EIX	3981
Zero	REV	80	1	2004-		0.5	B9ES	2611	Q202	BR9EIX	3981
Zero Mini	REV	80	1	2004-		0.5	B9ES	2611	Q202	BR9EIX	3981
Minicross 107 R107 4T		107	1	-		0.7	C7HSA	4629		CR7HIX	7544
Dougie Lampkin Replica		124	1	-		0.5	B8ES	2411	Q201	BR8EIX	5044
Alp 125		125	1	-		0.6	DR8EA	7162		DR8EIX	6681
Alp 125		125	1	-2006		0.8	CR7HSA	4549		CR7HIX	7544
Alp 125		125	1	2007-		0.8	CR7HSA	4549		CR7HIX	7544
Alp 125 2T		125	1	1998-1999		0.5	BPR7ES	2023		BPR7EIX	4055
Alp 125 4T		125	1	2000-		0.7	DR8EA	7162		DR8EIX	6681
E6G		125	1	-		0.5	B7HS	5110		BR7HIX	7067
Eikon 125		125	1	1999-		0.9	DPR7EA-9	5129	Q220	DPR7EIX-9	7803
Eikon 125		125	1	1999-		0.6	DR8EA	7162		DR8EIX	6681
Enduro		125	1	-		0.5	B7HS	5110		BR7HIX	7067
Euro Cruiser		125	1	-		0.7	DR8EA	7162		DR8EIX	6681
EVO 125 2T		125	1	2008-		0.6	BR7ES	5122		BR7EIX	6664
Jonathan		125	1	2000-		0.7	DR8EA	7162		DR8EIX	6681
Minicross R125 4T		125	1	2008-		0.8	CR7HSA	4549		CR7HIX	7544
Minicross R 125 4T		125	1	-		0.7	C7HSA	4629		CR7HIX	7544
Minimotard R125 4T		125	1	2009-		0.8	CR7HSA	4549		CR7HIX	7544
RE 125 4T		125	1	2006-		0.8	CR7HSA	4549		CR7HIX	7544
REV-3 125 Trial		125	1	-	Italy	0.6	BR7ES	5122		BR7EIX	6664
REV-3 125 Trial		125	1	2000-		0.6	BP6ES	7811		BPR6EIX	6637
REV-3 125 Trial		125	1	2000-2006		0.7	B8ES	2411	Q201	BR8EIX	5044
REV-3 125 Trial		125	1	2006-		0.5	BPR7ES	2023		BPR7EIX	4055
RR 125 4T Motard		125	1	2006-		0.8	CR7HSA	4549		CR7HIX	7544
RR 125 Enduro 4T		125	1	2006-		0.8	CR7HSA	4549		CR7HIX	7544
RR 125 Enduro 4T		125	1	2010-	Water fluid	0.7	CR8E	4854	Q226	CR8EIX	4218
Synt 125		125	1	1994-		0.5	B8ES	2411	Q201	BR8EIX	5044

*Bitte Elektrodenabstand nach Angaben des Herstellers justieren

*Please adjust the ground electrode gap

*Veuillez vérifier l'écartement

* Por favor, ajustar la distancia entre los electrodos

*Regolare il gap

* Iridium IX Spark Plug is the standard recommendation





Stock No.

Quick No.

Upgrade ↑

Stock No. ↑

BETA

Techno 125		125	1	-		0.6	BPR7ES	2023		BPR7EIX	4055
TR-32		125	1	-		0.5	B8ES	2411	Q201	BR8EIX	5044
TR-34		125	1	-		0.5	B8ES	2411	Q201	BR8EIX	5044
Trial		125	1	-		0.5	B6ES	7310			
Urban 125		125	1	2009-		0.8	CR7HSA	4549		CR7HIX	7544
Urban 125 Special		125	1	2009-		0.8	CR7HSA	4549		CR7HIX	7544
Zero 125		125	1	-		0.5	B8ES	2411	Q201	BR8EIX	5044
Eikon 150		150	1	1999-		0.9	DPR7EA-9	5129	Q220	DPR7EIX-9	7803
Alp 200		200	1	-		0.7	DR8EA	7162		DR8EIX	6681
Alp 4-T		200	1	2000-		0.7	DR8EA	7162		DR8EIX	6681
EVO 200 2T		200	1	2008-		0.6	BR7ES	5122		BR7EIX	6664
REV-3 200		200	1	-		0.6	BP6ES	7811		BPR6EIX	6637
REV-3 200		200	1	-	Italy	0.6	BR7ES	5122		BR7EIX	6664
REV-3 Trials	REV	200	1	2000-2007		0.6	BPR7ES	2023		BPR7EIX	4055
REV-3 Trials	REV	200	1	2008-		0.5	BR7ES	5122		BR7EIX	6664
Techno 200 Trial		200	1	-1996		0.6	BR8ES	5422	Q207	BR8EIX	5044
Techno 200 Trial		200	1	1996-		0.6	BPR7ES	2023		BPR7EIX	4055
Urban 200		200	1	2008-		0.7	DR8EA	7162		DR8EIX	6681
Urban 200 Special		200	1	2009-		0.7	DR8EA	7162		DR8EIX	6681
Alp 240		240	1	1995-		0.5	B8ES	2411	Q201	BR8EIX	5044
Super Trail 240		240	1	1994-		0.5	B8ES	2411	Q201	BR8EIX	5044
TR-33		240	1	-		0.5	B6ES	7310			
Trial		240	1	-		0.5	B6ES	7310			
Trial 240		240	1	-		0.5	B6ES	7310			
Dougie Lampkin Replica		247	1	-		0.5	BPR7ES	2023		BPR7EIX	4055
Alp 250		250	1	-		0.5	B8ES	2411	Q201	BR8EIX	5044
Alp LC		250	1	1995-		0.5	BPR7ES	2023		BPR7EIX	4055
Eikon		250	1	1999-		0.9	DPR7EA-9	5129	Q220	DPR7EIX-9	7803
Eikon 150		250	1	1999-		0.9	DPR7EA-9	5129	Q220	DPR7EIX-9	7803
Enduro		250	1	-		0.5	B7HS	5110		BR7HIX	7067
EVO 250 2T		250	1	2008-		0.6	BR7ES	5122		BR7EIX	6664
EVO 250 4T		250	1	2008-		0.8	CR7EB	4663			
REV-3 250		250	1	-		0.6	BPR7ES	2023		BPR7EIX	4055
REV-3 250		250	1	2000-		0.6	BP6ES	7811		BPR6EIX	6637
REV-3 250 2T Trials	REV	250	1	2008-		0.5	BR7ES	5122		BR7EIX	6664
REV-3 250 4T Trials	REV	250	1	2007-		0.6	CR7EB	4663			
RR 250		250	1	2012-		0.6	BR8ES	5422	Q207	BR8EIX	5044
RR 250 M 4T		250	1	-		0.9	DCPR8E	4339		DCPR8EIX	6546
Super Trail 250		250	1	-		0.5	B8ES	2411	Q201	BR8EIX	5044
Techno 250		250	1	-		0.5	BCP7ES	5030			
Techno 250		250	1	1996-1999		0.5	BR8ES	5422	Q207	BR8EIX	5044
Trial 250		250	1	-		0.5	BPR7ES	2023		BPR7EIX	4055
Xtrainer 250		250	1	-		0.8	GR7CI-8	95476			
Alp 260		260	1	-		0.5	B8ES	2411	Q201	BR8EIX	5044
Super Trail 260		260	1	-		0.5	B8ES	2411	Q201	BR8EIX	5044
Synt 260		260	1	-		0.5	B8ES	2411	Q201	BR8EIX	5044
TR-34 Campionato		260	1	-		0.5	B8ES	2411	Q201	BR8EIX	5044
TR-35 Campionato		260	1	-		0.5	B8ES	2411	Q201	BR8EIX	5044
Zero 260		260	1	-		0.5	B8ES	2411	Q201	BR8EIX	5044
Zero Gara		260	1	1994-		0.5	B8ES	2411	Q201	BR8EIX	5044
REV-3		270	1	-	Italy	0.6	BR7ES	5122		BR7EIX	6664
REV-3 270		270	1	-		0.6	BP6ES	7811		BPR6EIX	6637

*Bitte Elektrodenabstand nach Angaben des Herstellers justieren

*Please adjust the ground electrode gap

*Veuillez vérifier l'écartement

* Por favor, ajustar la distancia entre los electrodos

*Regolare il gap

** Iridium IX Spark Plug is the standard recommendation





Stock No.

Quick No.

Upgrade ↑

Stock No. ↑

BETA

REV-3 270 Trials		270	1	2000-2007		0.6	BPR7ES	2023		BPR7EIX	4055
REV-3 270 Trials		270	1	2008-		0.7	BR7ES	5122		BR7EIX	6664
Techno 270 Trial		270	1	-1996		0.6	BR8ES	5422	Q207	BR8EIX	5044
Techno 270 Trial		270	1	1996-		0.6	BPR7ES	2023		BPR7EIX	4055
EVO 290 2T		290	1	2008-		0.6	BR7ES	5122		BR7EIX	6664
EVO 300 4T		300	1	2008-		0.8	CR7EB	4663			
RR 300		300	1	2012-		0.6	BR7ES	5122		BR7EIX	6664
Xtrainer 300		300	1	-		0.8	GR7CI-8	95476			
Alp 4.0 4T		350	1	2003-		0.7	CR9EK	5600	Q230		
Euro 350		350	1	-		0.7	CR9EK	5600	Q230		
Jonathan 350		350	1	-		0.7	CR9EK	5600	Q230		
M4 4T		350	1	-		0.8	CR9EK	5600	Q230		
Motard 4.0 4T		350	1	2003-		0.7	CR9EK	5600	Q230		
RR 350 Enduro 4T		350	1	2013-		0.9	LKAR8A-9	4786			
RR 390 EFI Enduro		390	1	2015-		0.9	LKAR8A-9	4786			
RR 390 EFI Enduro Racing		390	1	2015-		0.9	LKAR8A-9	4786			
Alp 4.0		400	1	2004-		0.7	CR9EK	5600	Q230		
RR 400 4T		400	1	-2009	KTM	0.9	DCPR8E	4339		DCPR8EIX	6546
RR 400 4T		400	1	2010-	BETA	0.9	LKAR8A-9	4786			
RR 430 EFI Enduro		430	1	2015-		0.9	LKAR8A-9	4786			
RR 430 EFI Enduro Racing		430	1	2015-		0.9	LKAR8A-9	4786			
RR 450 4T		450	1	-	KTM	0.9	DCPR8E	4339		DCPR8EIX	6546
RR 450 4T		450	1	2010-	BETA	0.9	LKAR8A-9	4786			
RR 480 EFI Enduro		480	1	2015-		0.9	LKAR8A-9	4786			
RR 480 EFI Enduro Racing		480	1	2015-		0.9	LKAR8A-9	4786			
RR 498 Enduro 4T		498	1	2013-		0.9	LKAR8A-9	4786			
RR 520 4T		500	1	2010-	BETA	0.9	LKAR8A-9	4786			
RR 525 4T		525	1	-	KTM	0.9	DCPR8E	4339		DCPR8EIX	6546

BIG DOG

All models		1310	2	-		1.1	BPR5ES-11	4424		BPR5EIX-11	2115
88 cu in		1440	2	-		1.1	BPR5ES-11	4424		BPR5EIX-11	2115
All models		1507	2	-		1.1	BPR5ES-11	4424		BPR5EIX-11	2115
S&S Engine		1750	2	-		1.1	BPR5ES-11	4424		BPR5EIX-11	2115
Total Performance Eng.		1750	2	-		0.8	DCPR7E	3932		DCPR7EIX	6046
S&S Engine		1918	2	-		0.8	DCPR7E	3932		DCPR7EIX	6046

BIMOTA

V-Due		500	2	1997-2005		0.7	BR8ES	5422	Q207	BR8EIX	5044
V-Due Evoluzione		500	2	2000-		0.7	DR8EIX**	6681			
YB-9 SR, Sri		600	4	1994-1996	YAMAHA	0.7	CR9E	6263	Q227	CR9EIX	3521
BB 1 Biposto		650	1	1996-1997	BMW	0.7	D8EA	2120	Q216	DR8EIX	6681
BB 1 Supermono		650	1	1995-1996	BMW	0.7	D8EA	2120	Q216	DR8EIX	6681
SB 7		750	4	1994-1995	SUZUKI	0.7	CR9EK	5600	Q230		
DB 2		900	2	1993-1995	DUCATI	0.9	DPR8EA-9	4929	Q221	DPR8EIX-9	2202
DB 2 SR Full Fairing		900	2	1994-1996	DUCATI	0.9	DPR8EA-9	4929	Q221	DPR8EIX-9	2202
DB 2 SR Half Fairing		900	2	1994-1996	DUCATI	0.9	DPR8EA-9	4929	Q221	DPR8EIX-9	2202
DB 3 Mantra		900	2	1996-	DUCATI	0.9	DPR8EA-9	4929	Q221	DPR8EIX-9	2202
DB 4	DB-4	900	2	1998-	DUCATI	0.9	DPR8EA-9	4929	Q221	DPR8EIX-9	2202
DB 4 Injection	DB-4	900	2	2000-	DUCATI	0.9	DCPR8E	4339		DCPR8EIX	6546
Mantra		900	2	-	DUCATI	0.9	DPR7EA-9	5129	Q220	DPR7EIX-9	7803

* Bitte Elektrodenabstand nach Angaben des Herstellers justieren

* Please adjust the ground electrode gap

* Veuillez vérifier l'écartement

* Por favor, ajustar la distancia entre los electrodos

* Regolare il gap

* Iridium IX Spark Plug is the standard recommendation





Stock No.

Quick No.

Upgrade ↑

Stock No. ↑

BIMOTA

DB 3 Mantra		904	2	1995-1998	DUCATI	0.9	DPR8EA-9	4929	Q221	DPR8EIX-9	2202
Tesi 1D ES	DB-1	906	2	1994-	DUCATI	0.6	DR9EIX**	4772			
Tesi 1D SR	DB-1	906	2	1994-	DUCATI	0.6	DR9EIX**	4772			
DB 5	DB-5	992	2	2005-	DUCATI	0.8	DCPR8E	4339		DCPR8EIX	6546
DB 6 R Delirio	DB-6	992	2	2008-	DUCATI	0.8	DCPR8E	4339		DCPR8EIX	6546
BB 3		1000	4	2014-	BMW	0.8	LMAR9D-J	1633			
BB 3 1000	BB3	1000	4	2014-	BMW	*	LMAR9D-J	1633			
SB 8 R	SB-8	1000	2	-	SUZUKI	0.7	CR9EK	5600	Q230		
SB 8 R		1000	4	1998-1999	SUZUKI	0.7	CR9EK	5600	Q230		
SB 8 R Special	SB-8	1000	2	-	SUZUKI	0.7	CR9EK	5600	Q230		
YB 10 Biposto	YB-10	1000	4	1995-	YAMAHA	0.7	DR8EA	7162		DR8EIX	6681
YB 11 Superleggera	YB-11	1000	4	1996-1998	YAMAHA	0.7	DR8EA	7162		DR8EIX	6681
YB 8 E E Ohlins	YB-8	1000	4	1994-	YAMAHA	0.7	DR8ES-L	2923	Q218	DR9EIX	4772
YB 8 E Evolution	YB-8	1000	4	1994-	YAMAHA	0.7	DR8ES-L	2923	Q218	DR9EIX	4772
YB 8 E Paioli	YB-8	1000	4	1994-	YAMAHA	0.7	DR8ES-L	2923	Q218	DR9EIX	4772
YB 8 EXUP		1000	4	1995-1995	YAMAHA	0.7	DR8ES-L	2923	Q218	DR9EIX	4772
DB 5		1100	2	2005-2006	DUCATI	0.9	DCPR8E	4339		DCPR8EIX	6546
DB 5R		1100	2	2010-	DUCATI	0.9	DCPR8E	4339		DCPR8EIX	6546
DB 5S		1100	2	2010-	DUCATI	0.9	DCPR8E	4339		DCPR8EIX	6546
DB 6		1100	2	2007-	DUCATI	0.9	DCPR8E	4339		DCPR8EIX	6546
DB 6R Delirio		1100	2	2008-	DUCATI	0.9	DCPR8E	4339		DCPR8EIX	6546
DB 7		1100	2	2009-	DUCATI	0.8	MAR10A-J	4706			
SB 6		1100	4	1994-1996	SUZUKI	0.7	CR9E	6263	Q227	CR9EIX	3521
SB 6R		1100	4	1997-1998	SUZUKI	0.7	CR9E	6263	Q227	CR9EIX	3521
Tesi 3D		1100	2	2010-	DUCATI	0.9	DCPR8E	4339		DCPR8EIX	6546

BLACK DOUGLAS MC

Claret Classic		125	1	2013-		0.8	DR8EA	7162		DR8EIX	6681
Countryman Deluxe		125	1	2013-		0.8	DR8EA	7162		DR8EIX	6681
Jade Wonder		125	1	2013-		0.8	DR8EA	7162		DR8EIX	6681
Original Drayton		125	1	2013-		0.8	DR8EA	7162		DR8EIX	6681
Silent Grey		125	1	2013-		0.8	DR8EA	7162		DR8EIX	6681
Sport Imperial		125	1	2013-		0.8	DR8EA	7162		DR8EIX	6681
Claret Classic		230	1	2013-		0.8	DR8EA	7162		DR8EIX	6681
Countryman Deluxe		230	1	2013-		0.8	DR8EA	7162		DR8EIX	6681
Jade Wonder		230	1	2013-		0.8	DR8EA	7162		DR8EIX	6681
Original Drayton		230	1	2013-		0.8	DR8EA	7162		DR8EIX	6681
Silent Grey		230	1	2013-		0.8	DR8EA	7162		DR8EIX	6681
Sport Imperial		230	1	2013-		0.8	DR8EA	7162		DR8EIX	6681

BLATA

Elite 13		40	1	-		0.5	B9ES	2611	Q202	BR9EIX	3981
Elite 13 R		40	1	-		0.5	B9ES	2611	Q202	BR9EIX	3981
Elite 13W		40	1	-		0.5	B9ES	2611	Q202	BR9EIX	3981
Elite 13 W		40	1	-		0.5	B9ES	2611	Q202	BR9EIX	3981
Elite 13 WR		40	1	-		0.5	B9ES	2611	Q202	BR9EIX	3981
Elite 13 WRS		40	1	-		0.5	B9ES	2611	Q202	BR9EIX	3981
Pocket bike Réplica		49	1	-		0.7	BR6HS	4200		BR6HIX	3419
BXE		125	1	-		*	CR7EB	4663			
BXM		125	1	-		*	CR7EB	4663			

BMW

C1 125	C1N	125	1	2000-2003		0.6	CR8EB	7784			
C1 200	C1N	180	1	2000-2003		0.6	CR8EB	7784			

*Bitte Elektrodenabstand nach Angaben des Herstellers justieren

*Please adjust the ground electrode gap

*Veuillez vérifier l'écartement

* Por favor, ajustar la distancia entre los electrodos

*Regolare il gap

** Iridium IX Spark Plug is the standard recommendation





Stock No.

Quick No.

Upgrade ↑

Stock No. ↑

BMW

G 450 X	K16	450	1	2008-		0.7	CR9EKB	2305			
C 600 Sport	K18	600	2	2012-		0.8	LMAR8D-J	93444			
C 650 GT	K19	650	2	2012-	60hp	0.8	LMAR8D-J	93444			
C 650 Sport	K18	650	2	2016-	60hp	0.8	LMAR8D-J	93444			
C 650 Sport	K18	650	2	2016-	48hp	0.8	LMAR8D-J	93444			
F 650	E169	650	1	1993-1996		0.7	D8EA	2120	Q216	DR8EIX	6681
F 650	E169	650	1	1996-2003		0.7	D8EA	2120	Q216	DR8EIX	6681
F 650	BMS-C II	650	1	2004-	Twin Spark MCU BMW	0.6	DR8EB	4855			
F 650 CS	K14	650	1	2000-2003		0.6	DR8EB	4855			
F 650 CS		650	1	2002-2005		0.7	DR8EB	4855			
F 650 CS	K14	650	1	2003-2005		0.6	DR8EB	4855			
F 650 CS Scarver	K14	650	1	2001-		0.7	D8EA	2120	Q216	DR8EIX	6681
F 650 GSD		650	1	2000-2002		0.7	DR8EB	4855			
F 650 GS Dakar	R13	650	1	1999-2003		0.7	D8EA	2120	Q216	DR8EIX	6681
F 650 GS Dakar		650	1	2002-2005		0.7	DR8EB	4855			
F 650 GS Dakar	R13	650	1	2003-2007		0.6	DR8EB	4855			
F 650 GS Dakar		650	1	2005-2007	Twin Spark	0.7	DR8EB	4855			
F 650 GS Sertão	R13	650	2	2010-		0.6	DR8EB	4855			
F 650 ST Strada	E169	650	1	1997-1999		0.6	D8EA	2120	Q216	DR8EIX	6681
G 650 GS	R131	650	1	2008-2010		0.6	DR8EB	4855			
G 650 GS	R131	650	1	2010-		0.6	DR8EB	4855			
G 650 Xchallenge	K15	650	1	2007-2010		0.6	DR8EB	4855			
G 650 Xcountry	K15	650	1	2006-2007		0.6	DR8EB	4855			
G 650 Xcountry	K15	650	1	2007-2010		0.6	DR8EB	4855			
G 650 Xmoto	K15	650	1	2007-2010		0.6	DR8EB	4855			
F 750 GS	K80	750	2	2016-	48hp	0.9	LMAR8J-9E	93972			
F 750 GS	K80	750	2	2016-	77hp	0.9	LMAR8J-9E	93972			
F 650 GS	K72	800	2	2008-		0.9	DCPR8E	4339		DCPR8EIX	6546
F 700 GS	K70	800	2	2013-2017		0.8	DCPR8E	4339		DCPR8EIX	6546
F 800 GS	K72	800	2	2008-		0.9	DCPR8E	4339		DCPR8EIX	6546
F 800 GS Adventure	K75	800	2	2012-	85hp	0.8	DCPR8E	4339		DCPR8EIX	6546
F 800 GT	K71	800	2	2011-	90hp	0.9	DCPR8E	4339		DCPR8EIX	6546
F 800 GT	K71	800	2	2013-		0.9	DCPR8E	4339		DCPR8EIX	6546
F 800 R	K73	800	2	2009-	87hp	0.9	DCPR8E	4339		DCPR8EIX	6546
F 800 R	K73	800	2	2009-2013	87hp	0.9	DCPR8E	4339		DCPR8EIX	6546
F 800 S	K71	800	2	2004-		0.8	DCPR8E	4339		DCPR8EIX	6546
F 800 S	K71	800	2	2006-		0.9	DCPR8E	4339		DCPR8EIX	6546
F 800 ST	K71	800	2	2004-		0.8	DCPR8E	4339		DCPR8EIX	6546
F 800 ST	K71	800	2	2006-		0.9	DCPR8E	4339		DCPR8EIX	6546
F 850 GS	K81	850	2	2016-	95hp	0.9	LMAR8J-9E	93972			
R 850 C	59C1	850	2	1998-2000		0.8	BKR7EKC	7354			
R 850 GS	259E	850	2	1998-2000		0.8	BKR7EKC	7354			
R 850 R	259R	850	2	1994-2002		0.8	BKR7EKC	7354			
R 850 RT	259T	850	2	1996-2001		0.8	BKR7EKC	7354			
R 850 RT	R22	850	2	2000-2006		0.8	BKR7EKC	7354			
R 900 RT 05 SF	K26	900	2	2005-2009		0.8	DCPR8EKC	7168		DCPR8EIX	6546
R 900 RT 10 SF	K26	900	2	2009-		0.8	DCPR8EKC	7168		DCPR8EIX	6546
HP4		1000	4	2012-2016	107hp	0.8	LMAR9D-J	1633			
HP4		1000	4	2012-2016	193hp	0.8	LMAR9D-J	1633			
HP4 Race		1000	4	2017-	215hp	*	LMAR9D-J	1633			
R 100 R	247E	1000	2	1994-		0.6	BP6ES	7811		BPR6EIX	6637
R 100 R Mystik	247/3	1000	2	1993-1996		0.6	BP6ES	7811		BPR6EIX	6637

*Bitte Elektrodenabstand nach Angaben des Herstellers justieren

*Please adjust the ground electrode gap

*Veuillez vérifier l'écartement

* Por favor, ajustar la distancia entre los electrodos

*Regolare il gap

* Iridium IX Spark Plug is the standard recommendation





Stock No.

Quick No.

Upgrade ↑

Stock No. ↑

BMW

S 1000 R	K47	1000	4	2013-2016	160hp	0.8	LMAR9D-J	1633			
S 1000 R	K47	1000	4	2017-	165hp	0.8	LMAR9D-J	1633			
S 1000 R	K47	1000	4	2017-	107hp	0.8	LMAR9D-J	1633			
S 1000 RR	K46	1000	4	2008-	107hp	0.8	LMAR9D-J	1633			
S 1000 RR	K46	1000	4	2008-2013	193hp	0.8	LMAR9D-J	1633			
S 1000 RR	K46	1000	4	2014-	198hp	0.8	LMAR9D-J	1633			
S 1000 RR	K67	1000	4	2019-	207hp	1.0	LMAR9F-10G	92850			
S 1000 RR HP4	K46	1000	4	2011-	193hp	0.8	LMAR9D-J	1633			
S 1000 XR	K49	1000	4	2014-2016	160hp	0.8	LMAR9D-J	1633			
S 1000 XR	K49	1000	4	2015-	107hp	0.8	LMAR9D-J	1633			
S 1000 XR	K49	1000	4	2017-	195hp	0.8	LMAR9D-J	1633			
K 1100 LT	K589	1100	4	1992-1998	101hp	0.6	DR7EA	7839		DR7EIX	5686
K 1100 LT	K589	1100	4	1992-1998	98hp	0.6	DR7EA	7839		DR7EIX	5686
K 1100 LT Edition spécial	K589	1100	4	1992-1999		0.5	DR7EA	7839		DR7EIX	5686
K 1100 RS	259RS	1100	4	1992-1996	101hp	0.6	DR7EA	7839		DR7EIX	5686
K 1100 RS	259RS	1100	4	1992-1996	98hp	0.6	DR7EA	7839		DR7EIX	5686
K 1100 RS 89V2	K589	1100	4	1992-1997		0.6	DCPR7E	3932		DCPR7EIX	6046
R 1100 GS	259E	1100	2	1993-1999	80hp	0.8	BKR7EKC	7354			
R 1100 GS	259	1100	2	1999-		0.8	BKR7EKC	7354			
R 1100 GS	259E	1100	2	1999-		0.8	BKR7EKC	7354			
R 1100 R	259R	1100	2	1994-2001	80hp	0.8	BKR7EKC	7354			
R 1100 RS	259RS	1100	2	1992-2001	90hp	0.8	BKR7EKC	7354			
R 1100 RT	259RT	1100	2	1995-2001	90hp	0.8	BKR7EKC	7354			
R 1100 S	259S	1100	2	-1999		0.8	BKR7EKC	7354			
R 1100 S	259S	1100	2	1999-2003	98hp	0.9	BKR7EKC	7354			
R 1100 S	259S	1100	2	2003-	Twin Spark	0.8	BKR7EKC DCPR8EKC	7354 7168		DCPR8EIX	6546
R 1100 S Boxer Cup	259S	1100	2	2002-2003		0.8	BKR7EKC	7354			
R 1150	R21	1150	2	2003-	Twin Spark	0.8	BKR7EKC DCPR8EKC	7354 7168		DCPR8EIX	6546
R 1150 GS	R21	1150	2	1999-2003		0.8	BKR7EKC	7354			
R 1150 GS	R21A	1150	2	2003-	Twin Spark	0.8	BKR7EKC DCPR8EKC	7354 7168		DCPR8EIX	6546
R 1150 GS	R21	1150	2	2003-	Twin Spark	0.8	BKR7EKC DCPR8EKC	7354 7168		DCPR8EIX	6546
R 1150 GS Adventure	R21A	1150	2	2002-2003		0.8	BKR7EKC	7354			
R 1150 GS Adventure	R21A	1150	2	2003-2005	Twin Spark	0.8	BKR7EKC DCPR8EKC	7354 7168		DCPR8EIX	6546
R 1150 R	R28	1150	2	2001-2003		0.8	BKR7EKC	7354			
R 1150 R	R28	1150	2	2002-2006	Twin Spark	0.8	BKR7EKC DCPR8EKC	7354 7168		DCPR8EIX	6546
R 1150 R	R21A	1150	2	2003-	Twin Spark	0.8	BKR7EKC DCPR8EKC	7354 7168		DCPR8EIX	6546
R 1150 R	R21	1150	2	2003-	Twin Spark	0.8	BKR7EKC DCPR8EKC	7354 7168		DCPR8EIX	6546
R 1150 R Rockster	R28	1150	2	2002-2005	Twin Spark	0.8	BKR7EKC DCPR8EKC	7354 7168		DCPR8EIX	6546
R 1150 RS	R22	1150	2	2000-2002		0.8	BKR7EKC	7354			
R 1150 RS	R22	1150	2	2003-2004	Twin Spark	0.8	BKR7EKC DCPR8EKC	7354 7168		DCPR8EIX	6546
R 1150 RT	R22	1150	2	2000-2006		0.8	BKR7EKC	7354			
R 1150 RT	R21	1150	2	2001-2003		0.8	BKR7EKC	7354			
R 1150 RT	R22	1150	2	2003-2006	Twin Spark	0.8	BKR7EKC DCPR8EKC	7354 7168		DCPR8EIX	6546
R 1150 S	R21/R21A	1150	2	2003-	Twin Spark	0.8	BKR7EKC DCPR8EKC	7354 7168		DCPR8EIX	6546
HP2 Enduro	K25HP	1200	2	2005-	Twin Spark 105hp	0.8	BKR7EKC DCPR8EKC	7354 7168		DCPR8EIX	6546

*Bitte Elektrodenabstand nach Angaben des Herstellers justieren

*Please adjust the ground electrode gap

*Veuillez vérifier l'écartement

* Por favor, ajustar la distancia entre los electrodos

*Regolare il gap

** Iridium IX Spark Plug is the standard recommendation





Stock No.

Quick No.

Upgrade ↑

Stock No. ↑

BMW

HP2 Megamoto	K25 03	1200	2	2007-	Twin Spark 113hp	0.9	BKR7EKC DCPR8EKC	7354 7168		DCPR8EIX	6546
HP2 Sport	K29HP	1200	2	2007-		0.8	MAR9B-JDS	1316			
K 1200 GT	K41	1200	4	2003-2005		0.8	DCPR7E	3932		DCPR7EIX	6046
K 1200 GT	K44	1200	4	2006-2008		0.8	KR9CI	7795			
K 1200 LT	K589	1200	4	1998-2004		0.8	DCPR7E	3932		DCPR7EIX	6046
K 1200 R	K43	1200	4	2005-2008		0.8	KR9CI	7795			
K 1200 RS	K589	1200	4	1996-2001		0.8	DCPR7E	3932		DCPR7EIX	6046
K 1200 R Sport	K43	1200	4	2005-2007		0.8	KR9CI	7795			
K 1200 S	K40	1200	4	2004-2008		0.8	KR9CI	7795			
R 1200 C	259C	1200	2	-2003		0.8	BKR7EKC	7354			
R 1200 C	259C	1200	2	2003-2009	Twin Spark 105hp	0.8	BKR7EKC DCPR8EKC	7354 7168		DCPR8EIX	6546
R 1200 C Independent	259C	1200	4	2000-2003		0.8	BKR6EKC	2848			
R 1200 CL	K30	1200	2	2003-		0.8	BKR7EKC	7354			
R 1200 CL	K30	1200	4	2003-2004	Twin Spark	0.8	BKR7EKC DCPR8EKC	7354 7168		DCPR8EIX	6546
R 1200 C Montauk	259C	1200	4	2002-2004	Twin Spark 105hp	0.8	BKR7EKC DCPR8EKC	7354 7168		DCPR8EIX	6546
R 1200 GS	K25	1200	2	2002-2007		0.8	DCPR8EKC	7168		DCPR8EIX	6546
R 1200 GS	K25	1200	2	2004-2009	Twin Spark 105hp	0.8	BKR7EKC DCPR8EKC	7354 7168		DCPR8EIX	6546
R 1200 GS	K25	1200	2	2006-2008		0.8	DCPR8EKC	7168		DCPR8EIX	6546
R 1200 GS	K25	1200	2	2008-2010		0.8	MAR8B-JDS	8765			
R 1200 GS	K25	1200	2	2010-	Twin Spark 110hp DOHC	0.8	MAR8B-JDS	8765			
R 1200 GS	K50	1200	2	2011-		0.8	LMAR8D-J	93444			
R 1200 GS	K50	1200	2	2013-	125hp Water fluid	0.8	LMAR8D-J	93444			
R 1200 GS	K50	1200	2	2018-	136hp	0.8	LMAR8A-10	94319			
R 1200 GS Adventure	K25	1200	2	2005-2007		0.8	DCPR8EKC	7168		DCPR8EIX	6546
R 1200 GS Adventure	K25	1200	2	2007-2009		0.8	DCPR8EKC	7168		DCPR8EIX	6546
R 1200 GS Adventure	K25	1200	2	2008-2013		0.8	MAR8B-JDS	8765			
R 1200 GS Adventure	K51	1200	2	2012-		0.8	LMAR8D-J	93444			
R 1200 GS Adventure	K25	1200	2	2013-	10mm Thread Size / 26,5mm Thread Reach 125hp Water fluid	0.8	LMAR8D-J	93444			
R 1200 GS Rallye	K50	1200	4	2012-		0.8	MAR8B-JDS	8765			
R 1200 Nine T	K21	1200	2	2014-	110hp	0.8	MAR8B-JDS	8765			
R 1200 nineT Pure	K21	1200	2	2016-	110hp	0.8	MAR8B-JDS	8765			
R 1200 nineT Racer	K32	1200	2	2016-	110hp	0.8	MAR8B-JDS	8765			
R 1200 nineT Scrambler	K23	1200	2	2016-	110hp	0.8	MAR8B-JDS	8765			
R 1200 nineT Urban G/S	K33	1200	2	2016-	110hp	0.8	MAR8B-JDS	8765			
R 1200 R	K27	1200	2	2005-2010	Twin Spark	0.8	DCPR8EKC	7168		DCPR8EIX	6546
R 1200 R	K27	1200	2	2010-	Twin Spark	0.8	MAR8B-JDS	8765			
R 1200 R	K53	1200	2	2015-	10mm Thread Size / 26,5mm Thread Reach 125hp	0.8	LMAR8D-J	93444			
R 1200 RS	K54	1200	2	2015-	10mm Thread Size / 26,5mm Thread Reach 125hp	0.8	LMAR8D-J	93444			
R 1200 RT	K26	1200	2	2003-2009		0.8	DCPR8EKC	7168		DCPR8EIX	6546
R 1200 RT	K26	1200	2	2009-	Twin Spark 110hp DOHC	0.8	MAR8B-JDS	8765			
R 1200 RT	K52	1200	2	2013-	10mm Thread Size / 26,5mm Thread Reach 125hp Water fluid	0.8	LMAR8D-J	93444			
R 1200 RT	K52	1200	2	2018-	136hp	*	LMAR8A-10	94319			
R 1200 S	K29	1200	2	2004-2007	Twin Spark	0.8	DCPR8EKC	7168		DCPR8EIX	6546

*Bitte Elektrodenabstand nach Angaben des Herstellers justieren

*Please adjust the ground electrode gap

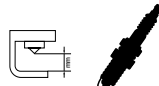
*Veuillez vérifier l'écartement

* Por favor, ajustar la distancia entre los electrodos

*Regolare il gap

* Iridium IX Spark Plug is the standard recommendation





Stock No.

Quick No.

Upgrade ↑

Stock No. ↑

BMW

R 1200 ST	K28	1200	2	2005-2009	Twin Spark	0.8	DCPR8EKC	7168		DCPR8EIX	6546
K 1300 GT	K44	1300	4	2007-2010		0.8	KR9CI	7795			
K 1300 R	K43	1300	4	2007-		0.8	KR9CI	7795			
K 1300 S	K43	1300	4	2007-		0.8	KR9CI	7795			
K 1300 S Pack HP	K40	1300	4	2012-		0.8	KR9CI	7795			
K 1600 B	K61	1600	6	2017-	107hp	0.8	LMAR8AI-8	92288			
K 1600 B	K61	1600	6	2017-	160hp	0.8	LMAR8AI-8	92288			
K 1600 GT	K48	1600	6	2010-	160hp	0.8	LMAR8AI-8	92288			
K 1600 GTL	K48	1600	6	2010-	160hp	0.8	LMAR8AI-8	92288			

BOOM TRIKE

Classic Trike Chopper VW		1600	4	-		0.8	BP5ES-A	2285			
Classic Trike Chopper VW		1600	4	-		0.6	B6HS B7HS	4510 5110		BR6HIX BR7HIX	3419 7067
Classic Trike Family VW		1600	4	-		0.6	B6HS B7HS	4510 5110		BR6HIX BR7HIX	3419 7067
Classic Trike Family VW		1600	4	-		0.8	BP5ES-A	2285			
Classic Trike Low Rider VW		1600	4	-		0.6	B6HS	4510		BR6HIX	3419
Classic Trike Low Rider VW		1600	4	-		0.8	BP5ES-A	2285			
Classic Trike Low Rider VW		1600	4	-		0.6	B7HS	5110		BR7HIX	7067
Fighter Automatik		1600	4	-	FORD	1.3	PTR5A-13	2467			
Fighter Automatik		2000	4	-	FORD	1.3	PTR5A-13	2467			

BOSS

HOSS		8226	8	-		0.7	BPR4ES	7222			
-------------	--	------	---	---	--	-----	--------	------	--	--	--

BRUDELI

Leanster 654L		690	1	2009-		0.9	LKAR8AI-9	6706			
----------------------	--	-----	---	-------	--	-----	-----------	------	--	--	--

BSA

Gold SR 400		400		1999-2003		0.7	BPR6ES	7822		BPR6EIX	6637
Gold SR 500		500		1999-		0.7	BPR7ES	2023		BPR7EIX	4055

BSM

City		50	1	1999-2001		0.6	BPR7HS	6422		BPR7HIX	5944
Off Road		50	1	1999-2001		0.6	BPR7HS	6422		BPR7HIX	5944
Thunderbike		50	1	1999-		0.6	BPR7HS	6422		BPR7HIX	5944
Winner		50	1	1999-		0.6	BPR7HS	6422		BPR7HIX	5944
Thunderbike 2		100	1	1999-		0.6	BPR7HS	6422		BPR7HIX	5944
FT 125		125	1	1999-		0.7	DR8EA	7162		DR8EIX	6681
Thunderbike 4		125	1	1999-		0.7	CR7HSA	4549		CR7HIX	7544

BS VILLA

Giorno		50	1	-		0.6	BR8HSA	5539			
SP Dio		50	1	-		0.6	BPR7HS	6422		BPR7HIX	5944
Z5		50	1	1993-		0.6	BR8HSA	5539			
ZX		50	1	1993-		0.6	BR8HSA	5539			

BUELL

XB-9R Firebolt	XB1	984	2	2002-		0.9	DPR9EA-9	5329	Q222	DPR9EIX-9	5545
XB-9R Lightning	XB1	984	2	2002-		0.9	DPR9EA-9	5329	Q222	DPR9EIX-9	5545
XB-9S Firebolt	XB1	984	2	2002-		0.9	DPR9EA-9	5329	Q222	DPR9EIX-9	5545
XB-9S Lightning	XB1	984	2	2002-		0.9	DPR9EA-9	5329	Q222	DPR9EIX-9	5545
XB9-SX 1000 Lightning CityX	XB1	984	2	2005-		0.9	DCPR9E	2641		DCPR9EIX	2316

* Bitte Elektrodenabstand nach Angaben des Herstellers justieren

* Please adjust the ground electrode gap

* Veuillez vérifier l'écartement

* Por favor, ajustar la distancia entre los electrodos

* Regolare il gap

** Iridium IX Spark Plug is the standard recommendation





Stock No.

Quick No.

Upgrade ↑

Stock No. ↑

BUELL

XB9-X 1000 City X	XB1	984	2	2009-		0.9	DCPR9E	2641		DCPR9EIX	2316
XB9R		1000	2	2001-2007		0.9	DCPR9E	2641		DCPR9EIX	2316
XB9S		1000	2	2003-2007		0.9	DCPR9E	2641		DCPR9EIX	2316
XB9S		1000	2	2005-2007		0.9	DCPR9E	2641		DCPR9EIX	2316
XB9SX		1000	2	2005-2007		0.9	DCPR9E	2641		DCPR9EIX	2316
1125 CR Café Racer		1125	2	2009-2010		0.7	CR9EKB	2305			
1125 R		1125	2	2008-2010		0.7	CR9EKB	2305			
M2 Cyclone		1200	2	1997-2003		1.0	DCPR8E	4339		DCPR8EIX	6546
S1 Lightning		1200	2	1996-1997		1.0	DCPR8E	4339		DCPR8EIX	6546
S1 White Lightning		1200	2	1998-2009		1.0	DCPR8E	4339		DCPR8EIX	6546
S2 Thunderbolt		1200	2	1995-1996		1.0	DCPR8E	4339		DCPR8EIX	6546
S3 Thunderbolt		1200	2	1997-2010		1.0	DCPR8E	4339		DCPR8EIX	6546
X1 Lightning		1200	2	1999-2010		1.0	DCPR8E	4339		DCPR8EIX	6546
XB 12 R		1200	2	2007-2010		0.9	DCPR9E	2641		DCPR9EIX	2316
XB 12 S		1200	2	2004-2007		0.9	DCPR9E	2641		DCPR9EIX	2316
XB 12 SCG		1200	2	2007-2007		0.9	DCPR9E	2641		DCPR9EIX	2316
XB 12 SS		1200	2	2006-2007		0.9	DCPR9E	2641		DCPR9EIX	2316
XB 12S TT		1200	2	2007-2007		0.9	DCPR9E	2641		DCPR9EIX	2316
XB 12 X		1200	2	2006-2007		0.9	DCPR9E	2641		DCPR9EIX	2316
XB 12 XT		1200	2	2008-2010		0.9	DCPR9E	2641		DCPR9EIX	2316

BUFFALO

CY 25		50	1	1997-		0.6	BR7HS	4737		BR7HIX	7067
CY 50		50	1	1997-		0.6	BR7HS	4737		BR7HIX	7067
CY 50 AC		50	1	1996-	Air	0.6	BR7HS	4737		BR7HIX	7067
MK 50		50	1	1996-		0.6	BP7HS	5111		BPR7HIX	5944
MM 50		50	1	1997-		0.6	BR7HS	4737		BR7HIX	7067
MY 50 AC		50	1	1996-	Air	0.6	BR7HS	4737		BR7HIX	7067
Silver LC		50	1	1996-	Water fluid	0.5	BR8ES	5422	Q207	BR8EIX	5044

BULTACO

Astro		50	1	1998-		0.5	B9ES	2611	Q202	BR9EIX	3981
Astro Supermotard		50	1	2000-		0.6	B9ES	2611	Q202	BR9EIX	3981
Lobito		50	1	1998-		0.5	B9ES	2611	Q202	BR9EIX	3981
Lobito Enduro		50	1	1999-		0.6	B9ES	2611	Q202	BR9EIX	3981
Sherco		125	1	2000-		0.6	BPR5ES	7422		BPR5EIX	6597
Sherco		200	1	2000-		0.6	BPR5ES	7422		BPR5EIX	6597
Sherco		250	1	1999-		0.6	BPR5ES	7422		BPR5EIX	6597
Sherco		290	1	2000-		0.6	BPR5ES	7422		BPR5EIX	6597

CAGIVA

City		50	1	1993-		0.5	B7HS	5110		BR7HIX	7067
City		50	1	1994-1997		0.6	BPR8HS	3725		BPR8HIX	6742
City		50	1	1998-		0.5	BR8HSA	5539			
City L.E.		50	1	1993-		0.5	B7HS	5110		BR7HIX	7067
Cocis		50	1	-		0.5	B8ES	2411	Q201	BR8EIX	5044
Cucciolo		50	1	-		0.6	B8HS	5510		BR8HIX	7001
K3		50	1	-		0.5	B8ES	2411	Q201	BR8EIX	5044
Mantis		50	1	1999-		0.6	B9ES	2611	Q202	BR9EIX	3981
Mito		50	1	-		0.5	B10ES	7928		BR10EIX	6801
Passing		50	1	-		0.6	BP6HS	4511		BPR6HIX	4085
Prima		50	1	-		0.5	B8ES	2411	Q201	BR8EIX	5044
Prima 50		50	1	1992-		0.5	B8ES	2411	Q201	BR8EIX	5044
Progress 50		50	1	-		0.6	B8HS	5510		BR8HIX	7001

* Bitte Elektrodenabstand nach Angaben des Herstellers justieren

* Please adjust the ground electrode gap

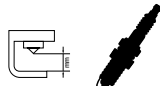
* Veuillez vérifier l'écartement

* Por favor, ajustar la distancia entre los electrodos

* Regolare il gap

* Iridium IX Spark Plug is the standard recommendation





Stock No.

Quick No.

Upgrade ↑

Stock No. ↑

CAGIVA

Progress Corsa		50	1	-		0.6	B9ES	2611	Q202	BR9EIX	3981
Scooter		50	1	1993-		0.7	BR8HSA	5539			
Supercity		50	1	-		0.5	B8ES	2411	Q201	BR8EIX	5044
W4		50	1	-		0.5	B8ES	2411	Q201	BR8EIX	5044
Cocis		75	1	-		0.5	B8ES	2411	Q201	BR8EIX	5044
Prima 80		75	1	1992-		0.5	B8ES	2411	Q201	BR8EIX	5044
Supercity 80		75	1	1992-		0.5	B8ES	2411	Q201	BR8EIX	5044
W4 80		75	1	1992-		0.5	B8ES	2411	Q201	BR8EIX	5044
A8 Trail		125	1	-		0.5	B9ES	2611	Q202	BR9EIX	3981
Aletta Dakar		125	1	-		0.5	B9EG	3530			
Aletta Rossa		125	1	-		0.5	B9EG	3530			
Cucciolo		125	1	1999-		0.7	CR7E	4578	Q225	CR7EIX	7385
K7		125	1	-	Germany	0.5	BR10EIX**	6801			
Mito 125		125	1	1995-1998		0.5	BR10EIX**	6801			
Mito 125		125	1	1999-		0.5	BR9EG	3230			
Mito EV 125		125	1	-	Germany	0.6	BR10EG	3830			
Mito MK2		125	1	1992-		0.5	BR10EIX**	6801			
Mito Racing		125	1	-	Germany	0.5	BR10EIX**	6801			
Mito SP 525		125	1	2008-		0.5	BR9EG	3230			
Nuvola		125	1	-		0.7	CR7E	4578	Q225	CR7EIX	7385
Passing		125	1	1994-		0.6	BP6HS	4511		BPR6HIX	4085
Passing		125	1	1995-		0.6	BP6HS	4511		BPR6HIX	4085
Planet		125	1	1999-2003		0.5	BR9EG	3230			
Raptor 125		125	1	2004-		0.5	BR9EG	3230			
Roadster		125	1	1998-		0.6	BR9ES	5722		BR9EIX	3981
Roadster 125		125	1	1992-		0.6	B9ES	2611	Q202	BR9EIX	3981
Roadster 521		125	1	1998-		0.6	BR9ES	5722		BR9EIX	3981
SS		125	1	-		0.5	B8ES	2411	Q201	BR8EIX	5044
Supercity		125	1	1992-		0.5	BR10EIX**	6801			
Supercity	N200AA	125	1	1999-		0.5	BR9EG	3230			
SX		125	1	-		0.5	B8ES	2411	Q201	BR8EIX	5044
W8		125	1	1996-1997	Germany 15hp	0.5	B9ES	2611	Q202	BR9EIX	3981
W8		125	1	1998-		0.6	BR9ES	5722		BR9EIX	3981
W8 R		125	1	1996-		0.5	B9ES	2611	Q202	BR9EIX	3981
W8 Supermotard		125	1	1996-		0.5	B9ES	2611	Q202	BR9EIX	3981
WR 125		125	1	2002-		0.5	BR9EG	3230			
WRE 125		125	1	2002-		0.5	BR9EG	3230			
All		175	1	-		0.5	B8ES	2411	Q201	BR8EIX	5044
All		200	1	-		0.5	B9ES	2611	Q202	BR9EIX	3981
Ala Blu 350		350	1	-		0.5	B8ES	2411	Q201	BR8EIX	5044
Ala Verde 350		350	1	-		0.5	B8ES	2411	Q201	BR8EIX	5044
Indiana 350		350		-		0.5	BP7HS	5111		BPR7HIX	5944
Lucky 350		350	1	-	Germany	0.9	DP8EA-9	5829		DPR8EIX-9	2202
W12		350	1	1993-1994		0.9	DP8EA-9	5829		DPR8EIX-9	2202
W12 350		350	1	1993-		0.6	DPR8EA-9	4929	Q221	DPR8EIX-9	2202
W12 A		350	1	1993-1994		0.9	DP8EA-9	5829		DPR8EIX-9	2202
Canyon 500		500	1	-	12mm Thread Size / 19mm Thread Reach	0.6	D8EA	2120	Q216	DR8EIX	6681
Mito		500	1	2007-		0.7	CR8EB	7784			
River 500		500	1	1999-		0.6	DCPR8E	4339		DCPR8EIX	6546
Canyon 600		600	1	1996-1997		0.6	BKR7EIX**	2667			
Canyon 600		600	1	1998-		0.8	BCP7ES	5030			
River 600		600	1	1995-		0.8	BCP7ES	5030			

*Bitte Elektrodenabstand nach Angaben des Herstellers justieren

*Please adjust the ground electrode gap

*Veuillez vérifier l'écartement

* Por favor, ajustar la distancia entre los electrodos

*Regolare il gap

** Iridium IX Spark Plug is the standard recommendation





Stock No.

Quick No.

Upgrade ↑

Stock No. ↑

CAGIVA

Super City		600	1	1995-		0.6	BKR7EIX**	2667			
W16 600		600	1	-1995		0.8	BCP7ES	5030			
W16 600		600	1	-1995		0.6	C7E	5096		CR7EIX	7385
Indiana		650	2	-		0.5	BP7HS	5111		BPR7HIX	5944
Raptor		650	2	2000-	Germany	0.7	CR8E	4854	Q226	CR8EIX	4218
V-Raptor		650	2	2000-		0.7	CR8E	4854	Q226	CR8EIX	4218
Elefant 750		750	2	1994-1997		0.9	DPR8EA-9	4929	Q221	DPR8EIX-9	2202
Indiana		750	2	-		0.5	BP7HS	5111		BPR7HIX	5944
Elefant 900 AC		900	2	1993-1997	Germany	0.9	DPR9EA-9	5329	Q222	DPR9EIX-9	5545
Elefant 900 ie GT		900	2	1992-1993	Germany	0.9	DPR9EA-9	5329	Q222	DPR9EIX-9	5545
Gran Canyon 900		900	2	1999-		0.6	DCPR8E	4179		DCPR8EIX	6546
Navigator 1000		1000	2	1999-		0.7	CR8EK	3478			
Navigator T		1000	2	2000-		0.7	CR8EK	3478			
Raptor		1000	2	1999-		0.7	CR8EK	3478			
V-Raptor		1000	2	2000-		0.7	CR8EK	3478			
X-tra Raptor 1000		1000	2	2003-		0.7	CR8EK	3478			

CAN-AM

MX-4		370	1	-		0.5	B9ES	2611	Q202	BR9EIX	3981
MX-5		370	1	-		0.5	B9ES	2611	Q202	BR9EIX	3981
Qualifier		370	1	-		0.5	B9ES	2611	Q202	BR9EIX	3981
400 MX		400	1	-		0.5	B9ES	2611	Q202	BR9EIX	3981
MX6		400	1	-		0.5	B9ES	2611	Q202	BR9EIX	3981
Qualifier		400	1	-		0.5	B9ES	2611	Q202	BR9EIX	3981
Sonic 500		500	1	-		0.5	D8EA	2120	Q216	DR8EIX	6681
Sonic 500 MX		500	1	-		0.5	D8EA	2120	Q216	DR8EIX	6681
Spyder RS		998	2	2008-2012		0.7	DCPR9E	2641		DCPR9EIX	2316
Spyder RS		998	2	2013-	12mm Thread Size / 19mm Thread Reach	0.7	KR8BI	4347			
Spyder RT		998	2	2010-2011	12mm Thread Size / 19mm Thread Reach	0.7	DCPR9E	2641		DCPR9EIX	2316
Spyder RT		998	2	2012-2013	12mm Thread Size / 19mm Thread Reach	0.7	KR8BI	4347			
Spyder ST		998	2	2013-	12mm Thread Size / 19mm Thread Reach	0.7	KR8BI	4347			
Spyder		1000	2	2008-		0.7	DCPR9E	2641		DCPR9EIX	2316
Spyder Roadster		1000	2	2008-		0.7	DCPR9E	2641		DCPR9EIX	2316
Spyder F3		1330	3	2015-		0.8	MR7BI-8	90982			
Spyder RT		1330	3	2014-	10mm Thread Size / 19mm Thread Reach	0.8	MR7BI-8	90982			

CANNONDALE

EX 400		432	1	2001-		0.7	CR9EK	5600	Q230		
MX 400		432	1	2000-		0.7	CR9EK	5600	Q230		
XC 400		432	1	2001-		0.7	CR9EK	5600	Q230		

CARREFOUR

Gap		50	1	2000-		0.5	B7HS	5110		BR7HIX	7067
Web		50	1	2000-		0.5	B7HS	5110		BR7HIX	7067
PFM		125	1	2000-		0.7	DR8EA	7162		DR8EIX	6681

CASAL

M 105 Six Speed (RZ, Mag.)		50	1	1992-		0.6	B9HS	5810		BR9HIX	5687
Super Boss RE		50	1	1999-		0.5	B9HS	5810		BR9HIX	5687

CCF

Adly 50		50	1	1996-		0.6	BP7HS	5111		BPR7HIX	5944
---------	--	----	---	-------	--	-----	-------	------	--	---------	------

* Bitte Elektrodenabstand nach Angaben des Herstellers justieren

* Please adjust the ground electrode gap

* Veuillez vérifier l'écartement

* Por favor, ajustar la distancia entre los electrodos

* Regolare il gap

* Iridium IX Spark Plug is the standard recommendation





Stock No.

Quick No.

Upgrade ↑

Stock No. ↑

CCF

Cat 50		50	1	1997-		0.6	BP7HS	5111		BPR7HIX	5944
Adly 100		100	1	1996-		0.6	BP7HS	5111		BPR7HIX	5944
Cat 125		125	1	1998-		0.6	CR7HSA	4549		CR7HIX	7544

CCM

240 CMT Trials		240	1	-		0.7	BP5ES	6511		BPR5EIX	6597
250 CMT Trials		250	1	-		0.7	BP5ES	6511		BPR5EIX	6597
310 CMT Trials		310	1	-		0.7	BP5ES	6511		BPR5EIX	6597
320 CMT Trials		320	1	-		0.7	BP5ES	6511		BPR5EIX	6597
350 CMT Trials		350	1	-		0.7	BP5ES	6511		BPR5EIX	6597
404 DS		400	1	2003-		0.7	CR8E	4854	Q226	CR8EIX	4218
404 E		400	1	2003-		0.7	CR8E	4854	Q226	CR8EIX	4218
404 XC-Trials		400	1	-		0.7	CR8E	4854	Q226	CR8EIX	4218
FT 35		400	1	2005-		0.7	CR8E	4854	Q226	CR8EIX	4218
R 35		400	1	2006-		0.7	CR8E	4854	Q226	CR8EIX	4218
SR 40		400	1	2007-		0.7	CR8E	4854	Q226	CR8EIX	4218
R 35 Factory Big Bore Conversion		435	1	2006-		0.7	CR8E	4854	Q226	CR8EIX	4218
490 CMX		490	1	-		0.5	B9EG	3530			
500 CMX		500	1	-		0.5	D8EA	2120	Q216	DR8EIX	6681
500 MTT		500	1	-		0.5	D8EA	2120	Q216	DR8EIX	6681
500 MTT		500	1	-		0.7	DR8EA	7162		DR8EIX	6681
560 CCM		560	1	-		0.5	D8EA	2120	Q216	DR8EIX	6681
560 CCM		560	1	-		0.7	DR8EA	7162		DR8EIX	6681
CMX		560		-		0.5	D8EA	2120	Q216	DR8EIX	6681
604 E Sport		600	1	1998-2002		0.5	D8EA	2120	Q216	DR8EIX	6681
604 E Supermoto		600	1	1998-2002		0.5	D8EA	2120	Q216	DR8EIX	6681
604 R		600	1	-		0.7	DR8EA	7162		DR8EIX	6681
604 R		600	1	1998-2002		0.5	D8EA	2120	Q216	DR8EIX	6681
604 R30		600	1	-		0.7	DR8EA	7162		DR8EIX	6681
604 R30		600	1	1998-2002		0.5	D8EA	2120	Q216	DR8EIX	6681
604 Roadster RS		600	1	2001-		0.7	DR8EA	7162		DR8EIX	6681
604 RS		600	1	-		0.7	DR8EA	7162		DR8EIX	6681
604 RS		600	1	1998-2002		0.5	D8EA	2120	Q216	DR8EIX	6681
604 Supermoto Dual Sport		600	1	2001-		0.7	DR8EA	7162		DR8EIX	6681
604 Trial Dual Sport		600	1	2001-		0.7	DR8EA	7162		DR8EIX	6681
RS		604	1	2000-		0.5	D8EA	2120	Q216	DR8EIX	6681
640 RS		640	1	-		0.7	DR8EA	7162		DR8EIX	6681
640 RS		640	1	1999-2000	ROTAX	0.5	D8EA	2120	Q216	DR8EIX	6681
644 DS Dual Sport		644	1	2000-		0.5	D8EA	2120	Q216	DR8EIX	6681
644 Dual Supermoto		644	1	2000-		0.5	D8EA	2120	Q216	DR8EIX	6681
Moteur Suzuki		644		2002-	SUZUKI	0.7	CR10E	6264		CR10EIX	6482
644		650	1	2002-	SUZUKI	0.7	CR10EK	2360			
R30 Supermotard		650	1	2002-	SUZUKI	0.7	CR9EK	5600	Q230		
R30		710	1	2005-	SUZUKI	0.7	CR10E	6264		CR10EIX	6482

CF MOTO

Explorer W 125		125	1	-		0.9	DPR7EA-9	5129	Q220	DPR7EIX-9	7803
Glory 125		125	1	-		0.9	DPR7EA-9	5129	Q220	DPR7EIX-9	7803
Ride Glory 125		125	1	-		0.9	DPR7EA-9	5129	Q220	DPR7EIX-9	7803
Ride W 125		125	1	-		0.9	DPR7EA-9	5129	Q220	DPR7EIX-9	7803
Wallstreet 125		125	1	-		0.9	DPR7EA-9	5129	Q220	DPR7EIX-9	7803
V3 Auto 250T-3		250	1	2007-		0.9	DPR8EA-9	4929	Q221	DPR8EIX-9	2202

* Bitte Elektrodenabstand nach Angaben des Herstellers justieren
 * Please adjust the ground electrode gap
 * Veuillez vérifier l'écartement

* Por favor, ajustar la distancia entre los electrodos
 * Regolare il gap
 ** Iridium IX Spark Plug is the standard recommendation





Stock No.

Quick No.

Upgrade ↑

Stock No. ↑

CF MOTO

V5 Auto 250T-5		250	1	-		0.9	DPR8EA-9	4929	Q221	DPR8EIX-9	2202
----------------	--	-----	---	---	--	-----	----------	------	------	-----------	------

CLIPIC

Trial		50	1	2000-		0.5	B7HS	5110		BR7HIX	7067
Trial CJ E		50	1	2000-		0.5	B10ES	7928		BR10EIX	6801
Trial CJ R		80	1	2000-		0.5	B9ES	2611	Q202	BR9EIX	3981

CPI

Aragon 50		50	1	2006-		0.8	BR7ES	5122		BR7EIX	6664
Aragon GP 50 Sport		50	1	2006-		0.8	BR7ES	5122		BR7EIX	6664
Aragon Mofa		50	1	2007-		0.5	BP7HS	5111		BPR7HIX	5944
Aragon Mofa GP		50	1	2007-		0.5	BP7HS	5111		BPR7HIX	5944
Baby J		50	1	-		0.6	BR8HSA	5539			
Bingo FL		50	1	2002-2002		0.6	BR8HSA	5539			
Formula R		50	1	-		0.7	BR7HS	4737		BR7HIX	7067
Formula R		50	1	2006-		0.7	BR7ES	5122		BR7EIX	6664
GTR 50		50	1	2003-2004	14mm Thread Size / 12,7mm Thread Reach	0.7	BR7HS	4737		BR7HIX	7067
GTR 50		50	1	2005-	14mm Thread Size / 19mm Thread Reach	0.6	BR10EG	3830			
GTS 50		50	1	2003-		0.8	BR7ES	5122		BR7EIX	6664
GTS 50		50	1	2003-2004	14mm Thread Size / 12,7mm Thread Reach	0.7	BR7HS	4737		BR7HIX	7067
GTS 50		50	1	2005-	14mm Thread Size / 19mm Thread Reach	0.6	BR10EG	3830			
Hussar		50	1	-		0.6	BR8HSA	5539			
Hussar		50	1	2000-		0.7	BR7ES	5122		BR7EIX	6664
Hussar		50	1	2001-2001		0.6	BR8HSA	5539			
Hussar		50	1	2003-		0.8	BR7ES	5122		BR7EIX	6664
Hussar FL		50	1	2002-2002		0.6	BR8HSA	5539			
Hussar SL		50	1	2002-2002		0.6	BR8HSA	5539			
JP		50	1	-		0.6	BR8HSA	5539			
Mars		50	1	-		0.6	BR8HSA	5539			
Oliver 50		50	1	2003-		0.8	BR7ES	5122		BR7EIX	6664
Oliver City		50	1	2006-		0.8	BR7ES	5122		BR7EIX	6664
Oliver Sport		50	1	2006-		0.8	BR7ES	5122		BR7EIX	6664
Popcorn		50	1	2000-2001		0.6	BR8HSA	5539			
Popcorn		50	1	2003-		0.8	BR7ES	5122		BR7EIX	6664
Popcorn FL		50	1	2002-2002		0.6	BR8HSA	5539			
Popcorn SL		50	1	2002-2002		0.6	BR8HSA	5539			
Supercross		50	1	-	14mm Thread Size / 12,7mm Thread Reach	0.7	BR7HS	4737		BR7HIX	7067
Supercross 50		50	1	2003-	14mm Thread Size / 19mm Thread Reach	0.7	BR7ES	5122		BR7EIX	6664
Supercross 50 SX		50	1	2006-2007		0.7	BR7ES	5122		BR7EIX	6664
Supermoto		50	1	-	14mm Thread Size / 12,7mm Thread Reach	0.7	BR7HS	4737		BR7HIX	7067
Supermoto		50	1	2003-	14mm Thread Size / 19mm Thread Reach	0.7	BR7ES	5122		BR7EIX	6664
Supermoto SMX		50	1	2006-		0.8	BR8ES	5422	Q207	BR8EIX	5044
Tennessee		50	1	2001-		0.6	BR8HSA	5539			
Aragon 125		125	1	2006-		0.6	CR7HSA	4549		CR7HIX	7544
GTS 125		125	1	2003-		0.8	BR7ES	5122		BR7EIX	6664
Hussar JU		125	1	2004-		0.6	CR7HSA	4549		CR7HIX	7544
Oliver City 125		125	1	2006-		0.6	CR7HSA	4549		CR7HIX	7544

*Bitte Elektrodenabstand nach Angaben des Herstellers justieren

*Please adjust the ground electrode gap

*Veuillez vérifier l'écartement

* Por favor, ajustar la distancia entre los electrodos

*Regolare il gap

* Iridium IX Spark Plug is the standard recommendation





Stock No.

Quick No.

Upgrade ↑

Stock No. ↑

CPI

QT4A ARN		125		-		0.6	CR7HSA	4549		CR7HIX	7544
X-Large 125		125	1	2003-		0.8	BR7ES	5122		BR7EIX	6664
GTS 150		150	1	2003-		0.8	BR7ES	5122		BR7EIX	6664
X-Large 150		150	1	2003-		0.8	BR7ES	5122		BR7EIX	6664
GTS 200		200	1	2003-		0.8	BR7ES	5122		BR7EIX	6664
X-Large 200		200	1	2003-		0.8	BR7ES	5122		BR7EIX	6664

CR & S

Vun		650	2	2007-		0.6	DR8EB	4855			
-----	--	-----	---	-------	--	-----	-------	------	--	--	--

CRAZY-VEHICLE

Crazy Buggy		125	1	2003-		0.7	CR7HSA	4549		CR7HIX	7544
-------------	--	-----	---	-------	--	-----	--------	------	--	--------	------

DAELIM

Cordi 50		50	1	2004-		0.6	BPR6HS	7022		BPR6HIX	4085
E Five		50	1	2003-		0.7	B8HS	5510		BR8HIX	7001
Message		50	1	1998-		0.6	BR8HSA	5539			
Message II		50	1	1999-		0.6	BR8HSA	5539			
S-Five		50	1	2002-		0.6	BR8HSA	5539			
Tapo		50	1	1998-		0.6	BR8HSA	5539			
Altino A.S		100	1	1998-		0.9	CR8EH-9	5666	Q228	CR8EHIX-9	3797
Delfino 100		100	1	1999-		0.6	BR8HS	4915	Q212	BR8HIX	7001
Citi Ace 110		110	1	2003-		0.7	C7HSA	4629		CR7HIX	7544
Altino 125 ES		125	1	2002-		0.9	C8EH-9	7473		CR8EHIX-9	3797
Besbi		125	1	2008-		0.7	CR7HSA	4549		CR7HIX	7544
Daystar 125		125	1	2000-		0.9	C8EH-9	7473		CR8EHIX-9	3797
Evolution VS		125	1	2002-		0.9	C8EH-9	7473		CR8EHIX-9	3797
Freewing 125		125	1	2005-		0.9	CR8EH-9	5666	Q228	CR8EHIX-9	3797
Freewing 125 Fi		125	1	2007-		0.9	CR8EH-9	5666	Q228	CR8EHIX-9	3797
History 125		125	1	2004-		0.9	CR8EH-9	5666	Q228	CR8EHIX-9	3797
NF 125 ES 'Altino		125	1	2003-		0.9	CR8EH-9	5666	Q228	CR8EHIX-9	3797
NS 125		125	1	1998-2000		0.9	CR8EH-9	5666	Q228	CR8EHIX-9	3797
NS 125		125	1	2001-		0.9	CR8EH-9	5666	Q228	CR8EHIX-9	3797
NS 125		125	1	2008-		0.7	CR7HSA	4549		CR7HIX	7544
NS 125 Trans Eagle		125	1	1998-		0.9	CR8EH-9	5666	Q228	CR8EHIX-9	3797
NS Fellow		125	1	1998-1999		0.9	CR8EH-9	5666	Q228	CR8EHIX-9	3797
NS Fellow II		125	1	1998-2000		0.9	CR8EH-9	5666	Q228	CR8EHIX-9	3797
NS II DLX		125	1	2001-		0.9	CR8EH-9	5666	Q228	CR8EHIX-9	3797
Otello 125 Fi		125	1	2007-		0.9	CR8EH-9	5666	Q228	CR8EHIX-9	3797
Otello 125 SE		125	1	2004-		0.9	CR8EH-9	5666	Q228	CR8EHIX-9	3797
Othello		125	1	1998-		0.9	CR8EH-9	5666	Q228	CR8EHIX-9	3797
Roadwin		125	1	-		0.9	CR8EH-9	5666	Q228	CR8EHIX-9	3797
Roadwin 125 R		125	1	2007-		0.9	CR9EH-9	7502	Q229	CR9EHIX-9	6216
S1 125 Fi	SA7	125	1	2007-2010	11hp	0.8	CR8EH-9	5666	Q228	CR8EHIX-9	3797
S1 125 Fi	SA7	125	1	2011-2016	11hp	0.8	CR8EH-9	5666	Q228	CR8EHIX-9	3797
S-2		125	1	2005-2006		0.9	CR8EH-9	5666	Q228	CR8EHIX-9	3797
S2 125	SA4	125	1	2005-2008	11hp	0.8	CR8EH-9	5666	Q228	CR8EHIX-9	3797
S2 125 Fi	SA4	125	1	2008-2016	11hp	0.8	CR8EH-9	5666	Q228	CR8EHIX-9	3797
S-2 Freewing		125	1	2005-2006		0.9	CR8EH-9	5666	Q228	CR8EHIX-9	3797
S3 125 Fi	SAB	125	1	2011-	14hp	0.8	CR8EH-9	5666	Q228	CR8EHIX-9	3797
SL History 125		125	1	-		0.9	CR8EH-9	5666	Q228	CR8EHIX-9	3797
SU 125 Delfino	SA9	125	1	2009-2013	9hp	0.7	CR7HSA	4549		CR7HIX	7544
VC 125		125	1	1997-		0.9	CR8EH-9	5666	Q228	CR8EHIX-9	3797
VC 125 Advance		125	1	1995-		0.9	C8EH-9	7473		CR8EHIX-9	3797

*Bitte Elektrodenabstand nach Angaben des Herstellers justieren

*Please adjust the ground electrode gap

*Veuillez vérifier l'écartement

* Por favor, ajustar la distancia entre los electrodos

*Regolare il gap

** Iridium IX Spark Plug is the standard recommendation





Stock No.

Quick No.

Upgrade ↑

Stock No. ↑

DAELIM

VEE 125		125	1	-		0.9	CR8EH-9	5666	Q228	CR8EHIX-9	3797
VJ 125 Roadwin		125	1	2003-2004		0.9	CR8EH-9	5666	Q228	CR8EHIX-9	3797
VL 125		125	1	2000-		0.9	CR8EH-9	5666	Q228	CR8EHIX-9	3797
VL 125 Daystar		125	1	2002-2003		0.9	C8EH-9	7473		CR8EHIX-9	3797
VL 125 Daystar		125	1	2004-		0.9	CR8EH-9	5666	Q228	CR8EHIX-9	3797
VL 125 Daystar Classic		125	1	2000-		0.9	CR8EH-9	5666	Q228	CR8EHIX-9	3797
VL 125 L Daystar		125	1	2002-		0.9	C8EH-9	7473		CR8EHIX-9	3797
VS 125		125	1	1997-		0.9	CR8EH-9	5666	Q228	CR8EHIX-9	3797
VS 125		125	1	1997-1998		0.9	CR8EH-9	5666	Q228	CR8EHIX-9	3797
VS 125 EVO		125	1	1999-		0.9	CR8EH-9	5666	Q228	CR8EHIX-9	3797
VT 125 EVO		125	1	2000-		0.9	CR8EH-9	5666	Q228	CR8EHIX-9	3797
VT 125 Evolution		125	1	1998-		0.9	C8EH-9	7473		CR8EHIX-9	3797
250 Roadsport		250	1	2012-		0.9	CR9EH-9	7502	Q229	CR9EHIX-9	6216
SQ 250 S2	SZ1	250	1	2005-2009	22hp	0.9	DPR7EA-9	5129	Q220	DPR7EIX-9	7803
VJF 250 Roadwin	BZ1BLS	250	1	2010-2016	24hp	0.9	CR9EH-9	7502	Q229	CR9EHIX-9	6216
VL 250 Daystar	BZ2	250	1	2013-	23hp	0.9	CR9EH-9	7502	Q229	CR9EHIX-9	6216

DAFIER

DFE QT-5	DFE	50	1	-		0.6	CR7HSA	4549		CR7HIX	7544
DFE QT-6	DFE	50	1	-		0.6	CR7HSA	4549		CR7HIX	7544
DFE QT-8	DFE	50	1	-		0.6	CR7HSA	4549		CR7HIX	7544
DFE T-10A	DFE	125	1	-		0.7	DR8EA	7162		DR8EIX	6681
DFE T-10D	DFE	125	1	-		0.7	DR8EA	7162		DR8EIX	6681
DFE T-10E	DFE	125	1	-		0.7	DR8EA	7162		DR8EIX	6681
DFE T-8A	DFE	125	1	-		0.7	DR8EA	7162		DR8EIX	6681

DERBI

Aceno		50	1	1998-		0.6	B8HS	5510		BR8HIX	7001
Atlantis 50		50	1	1999-2002	14mm Thread Size / 12,7mm Thread Reach Air	0.5	B8HS	5510		BR8HIX	7001
Atlantis 50		50	1	2000-	Water fluid	0.6	BR9ES	5722		BR9EIX	3981
Atlantis 50		50	1	2003-	14mm Thread Size / 19mm Thread Reach Air	0.6	BR9ES	5722		BR9EIX	3981
Atlantis 50		50	1	2003-		0.6	BR9ES	5722		BR9EIX	3981
Atlantis 50		50	1	2004-		0.7	CR8EB	7784			
Atlantis 50		50	1	2007-		0.7	PMR7A	4259			
Atlantis Bullet		50	1	2003-		0.6	BR9ES	5722		BR9EIX	3981
Atlantis City		50	1	2003-		0.6	BR9ES	5722		BR9EIX	3981
Atlantis LC		50	1	-		0.6	B9ES	2611	Q202	BR9EIX	3981
Atlantis O2		50	1	1999-		0.6	B8HS	5510		BR8HIX	7001
Atlantis Red Bullet		50	1	1999-		0.6	B9ES	2611	Q202	BR9EIX	3981
Aventura 50		50	1	1995-		0.6	B8HS	5510		BR8HIX	7001
Black Devil		50	1	2003-		0.6	B8ES	2411	Q201	BR8EIX	5044
Black Edition		50	1	2003-		0.6	B8ES	2411	Q201	BR8EIX	5044
Black Mini		50	1	2003-		0.6	CR9E	6263	Q227	CR9EIX	3521
Boulevard		50	1	2009-		0.6	BR9ES	5722		BR9EIX	3981
Boulevard 50 2T		50	1	2009-		0.6	BR9ES	5722		BR9EIX	3981
Dirt Boy 10/10		50	1	2003-		0.7	CR9E	6263	Q227	CR9EIX	3521
Dirt Kid 10/12		50	1	2003-		0.7	CR9E	6263	Q227	CR9EIX	3521
DRD 50 Supermoto		50	1	2002-		0.5	B8ES	2411	Q201	BR8EIX	5044
FDS Super		50	1	1992-		0.6	B8HS	5510		BR8HIX	7001
Fenix		50	1	1992-		0.6	B8HS	5510		BR8HIX	7001
Furax		50	1	1995-		0.6	B8HS	5510		BR8HIX	7001

*Bitte Elektrodenabstand nach Angaben des Herstellers justieren

*Please adjust the ground electrode gap

*Veuillez vérifier l'écartement

* Por favor, ajustar la distancia entre los electrodos

*Regolare il gap

* Iridium IX Spark Plug is the standard recommendation





Stock No.

Quick No.

Upgrade ↑

Stock No. ↑

DERBI

Furax 50		50	1	1995-		0.5	B8HS	5510		BR8HIX	7001
GP1 50 open		50	1	-		0.6	BR10ES	4832		BR10EIX	6801
GP1 Replica		50	1	2003-	Water fluid	0.6	BR10ES	4832		BR10EIX	6801
GPR		50	1	2002-		0.5	B8ES	2411	Q201	BR8EIX	5044
GPR 50		50	1	2009-		0.6	BR8ES	5422	Q207	BR8EIX	5044
GPR 50 R		50	1	2002-		0.5	B8ES	2411	Q201	BR8EIX	5044
GPR Full power		50	1	2002-		0.6	B9ES	2611	Q202	BR9EIX	3981
GPR Naked		50	1	2004-		0.7	B8ES	2411	Q201	BR8EIX	5044
GPR Nude 50		50	1	-		0.5	B8ES	2411	Q201	BR8EIX	5044
GPR Racing		50	1	2002-		0.5	B8ES	2411	Q201	BR8EIX	5044
GPR Replica		50	1	2003-		0.5	B8ES	2411	Q201	BR8EIX	5044
GPR R Réplica		50	1	1997-		0.6	B10HS	2399		BR10HIX	6692
GP Serie		50	1	-	Air	0.6	BR10ES	4832		BR10EIX	6801
Hunter		50	1	1995-	Spain	0.6	B8HS	5510		BR8HIX	7001
Hunter		50	1	1995-	D + A	0.6	BP7HS	5111		BPR7HIX	5944
Manhattan		50	1	-		0.6	B8HS	5510		BR8HIX	7001
MXR		50	1	1996-		0.6	B8HS	5510		BR8HIX	7001
Naked		50	1	2004-		0.5	B8ES	2411	Q201	BR8EIX	5044
Paddock 50 O2		50	1	-	Water fluid	0.6	B8HS	5510		BR8HIX	7001
Paddock LC		50	1	-	Water fluid	0.6	B9ES	2611	Q202	BR9EIX	3981
Predator LC		50	1	1998-	Water fluid	0.6	B9ES	2611	Q202	BR9EIX	3981
Predator O2		50	1	-	Water fluid	0.6	B8HS	5510		BR8HIX	7001
Predator O2		50	1	1998-	Spain Water fluid	0.6	B9ES	2611	Q202	BR9EIX	3981
Racing Replica		50	1	2002-		0.6	BR9ES	5722		BR9EIX	3981
Rambla 50		50	1	-		0.6	BR9ES	5722		BR9EIX	3981
RD-2 Country		50	1	1992-		0.6	B8HS	5510		BR8HIX	7001
R DRD		50	1	2002-		0.5	B8ES	2411	Q201	BR8EIX	5044
Red Bullet		50	1	2003-		0.6	BR9ES	5722		BR9EIX	3981
R Racer		50	1	2002-		0.5	B8ES	2411	Q201	BR8EIX	5044
R X-treme		50	1	2002-		0.5	B8ES	2411	Q201	BR8EIX	5044
Senda		50	1	-	Water fluid	0.5	B8ES	2411	Q201	BR8EIX	5044
Senda 50		50	1	1995-		0.6	B9ES	2611	Q202	BR9EIX	3981
Senda 50		50	1	1995-		0.5	B8ES	2411	Q201	BR8EIX	5044
Senda 50 R		50	1	1995-		0.6	B9ES	2611	Q202	BR9EIX	3981
Senda 50 R		50	1	1995-		0.5	B8ES	2411	Q201	BR8EIX	5044
Senda 50 R X-Race		50	1	2005-2011		0.5	B8ES	2411	Q201	BR8EIX	5044
Senda 50 R X-Treme		50	1	2003-2014		0.5	B8ES	2411	Q201	BR8EIX	5044
Senda 50 SM		50	1	1995-		0.5	B8ES	2411	Q201	BR8EIX	5044
Senda 50 SM		50	1	1995-		0.6	B9ES	2611	Q202	BR9EIX	3981
Senda 50 SM X-Race		50	1	2005-2011		0.5	B8ES	2411	Q201	BR8EIX	5044
Senda DRD EVO 50 SM		50	1	-		0.6	BR8ES	5422	Q207	BR8EIX	5044
Senda DRD EVO 50 SM Limited Edition		50	1	2009-		0.6	BR8ES	5422	Q207	BR8EIX	5044
Senda DRD PRO 50 R		50	1	2009-		0.6	BR8ES	5422	Q207	BR8EIX	5044
Senda DRD PRO 50 SM		50	1	2009-		0.6	BR8ES	5422	Q207	BR8EIX	5044
Senda DRD Racing 50		50	1	-		0.6	BR8ES	5422	Q207	BR8EIX	5044
Senda L		50	1	1996-1999		0.6	B9ES	2611	Q202	BR9EIX	3981
Senda R		50	1	1995-		0.5	B8ES	2411	Q201	BR8EIX	5044
Senda R		50	1	1995-		0.6	B9ES	2611	Q202	BR9EIX	3981
Senda R		50	1	1996-1999		0.6	B9ES	2611	Q202	BR9EIX	3981
Senda R		50	1	2000-		0.6	B9ES	2611	Q202	BR9EIX	3981
Senda SM		50	1	1995-		0.6	B9ES	2611	Q202	BR9EIX	3981

* Bitte Elektrodenabstand nach Angaben des Herstellers justieren

* Please adjust the ground electrode gap

* Veuillez vérifier l'écartement

* Por favor, ajustar la distancia entre los electrodos

* Regolare il gap

** Iridium IX Spark Plug is the standard recommendation





Stock No.

Quick No.

Upgrade ↑

Stock No. ↑

DERBI

Senda SM	50	1	1995-		0.6	B9ES	2611	Q202	BR9EIX	3981
Senda SM	50	1	1996-1999		0.6	B9ES	2611	Q202	BR9EIX	3981
Senda SM	50	1	2000-		0.6	B9ES	2611	Q202	BR9EIX	3981
Senda X Race 50 R	50	1	-		0.6	BR8ES	5422	Q207	BR8EIX	5044
Senda X Race 50 SM	50	1	-		0.6	BR8ES	5422	Q207	BR8EIX	5044
Senda X-Treme 50 R	50	1	-		0.6	BR8ES	5422	Q207	BR8EIX	5044
Senda X Treme 50 SM	50	1	-		0.6	BR8ES	5422	Q207	BR8EIX	5044
Sendra-R	50	1	1995-		0.6	B9ES	2611	Q202	BR9EIX	3981
SM Black Edition	50	1	2002-		0.5	B8ES	2411	Q201	BR8EIX	5044
SM DRD	50	1	-		0.6	B9ES	2611	Q202	BR9EIX	3981
SM Racer	50	1	2002-		0.6	B9ES	2611	Q202	BR9EIX	3981
SM X-treme	50	1	2002-		0.6	B9ES	2611	Q202	BR9EIX	3981
Sonar 50	50	1	2010-		0.7	BR9ES	5722		BR9EIX	3981
Sonar 50 2T	50	1	2010-		0.7	BR9ES	5722		BR9EIX	3981
Start DS	50	1	1992-		0.6	B8HS	5510		BR8HIX	7001
Urban	50	1	1995-		0.6	B8HS	5510		BR8HIX	7001
Vamos	50	1	-		0.6	BR8HS	4915	Q212	BR8HIX	7001
Vamos 50	50	1	1993-		0.5	B8HS	5510		BR8HIX	7001
Vamos FL	50	1	1994-		0.6	BR8HS	4915	Q212	BR8HIX	7001
Vamos FL 50	50	1	-		0.6	BR8HS	4915	Q212	BR8HIX	7001
Vamos L	50	1	1994-		0.6	BR8HS	4915	Q212	BR8HIX	7001
Vamos SE 50	50	1	-		0.6	BR8HS	4915	Q212	BR8HIX	7001
Variant AIR	50	1	2003-		0.5	B8HS	5510		BR8HIX	7001
Variant Box	50	1	1992-		0.6	B8HS	5510		BR8HIX	7001
Variant Revolution	50	1	2003-		0.6	B8HS	5510		BR8HIX	7001
Variant Sport 50	50	1	2012-2017	4hp	0.8	BR8ES	5422	Q207	BR8EIX	5044
Variant Sport R	50	1	1992-		0.6	B8HS	5510		BR8HIX	7001
Variant Top	50	1	1992-		0.6	B8HS	5510		BR8HIX	7001
1001,Extra Sport Coppa	75	1	-		0.5	B8ES	2411	Q201	BR8EIX	5044
Europa RD15	75	1	-		0.5	B8ES	2411	Q201	BR8EIX	5044
GPR-75	75	1	-		0.5	B10ES	7928		BR10EIX	6801
Gran Prix 74	75	1	-		0.5	B6HS	4510		BR6HIX	3419
Scoot 74	75	1	-		0.5	B8ES	2411	Q201	BR8EIX	5044
Sport-75	75	1	-		0.5	B10ES	7928		BR10EIX	6801
Vivo-75	75	1	-		0.6	BP5HS	4111			
BI 3	80	1	1995-		0.6	B8ES	2411	Q201	BR8EIX	5044
Atlantis 100	85	1	2000-		0.7	BR9ES	5722		BR9EIX	3981
Senda 100	85	1	1997-		0.6	B9ES	2611	Q202	BR9EIX	3981
R Atlantis 100	100	1	2000-		0.6	B9ES	2611	Q202	BR9EIX	3981
Boulevard	125	1	2003-	Air	0.7	CR9E	6263	Q227	CR9EIX	3521
Boulevard	125	1	2008-	PIAGGIO Air	0.8	CR7EB	4663			
Boulevard	125	1	2010-		0.6	CR7EB	4663			
Boulevard 125	125	1	2003-		0.6	CPR8E	7411			
CRS, RC	125	1	-		0.5	BR10EIX**	6801			
Enduro	125	1	-		0.5	BR9EIX**	3981			
GP1 125	125	1	2007-		0.8	CR8EB	7784			
GP1 125 Racing	125	1	2007-		0.8	CR8EB	7784			
GPR 125 4V	125	1	2009-		0.8	CR8EB	7784			
GPR Nude	125	1	2004-		0.8	BR8ES	5422	Q207	BR8EIX	5044
GPR Racing	125	1	2004-		0.8	BR8ES	5422	Q207	BR8EIX	5044
HDR Cabriolet 125	125		2000-		0.5	CR7E	4578	Q225	CR7EIX	7385
Karmathan	125	1	-		0.5	BR9EIX**	3981			

*Bitte Elektrodenabstand nach Angaben des Herstellers justieren

*Please adjust the ground electrode gap

*Veuillez vérifier l'écartement

* Por favor, ajustar la distancia entre los electrodos

*Regolare il gap

* Iridium IX Spark Plug is the standard recommendation





Stock No.

Quick No.

Upgrade ↑

Stock No. ↑

DERBI

Mulhacen 125		125	1	2007-		0.6	CR8EB	7784			
Mulhacen 125 Café		125	1	2007-		0.6	CR8EB	7784			
Rambla 125		125	1	-		0.8	CR8EB	7784			
Rambla 125		125	1	-		0.6	BR9ES	5722		BR9EIX	3981
RS125TT		125	1	-		0.5	BR9EIX**	3981			
Senda 125 Cross City		125	1	2007-2016		0.8	D8EA	2120	Q216	DR8EIX	6681
Senda Baja ('R)125		125	1	2007-		0.8	D8EA	2120	Q216	DR8EIX	6681
Senda Cross City		125	1	-		0.6	CR8EB	7784			
Senda DRD 125 R		125	1	2009-		0.6	CR8EB	7784			
Senda DRD 125 SM		125	1	2009-		0.6	CR8EB	7784			
Senda R 125		125	1	2002-2008		0.9	DPR8EA-9	4929	Q221	DPR8EIX-9	2202
Senda R-Baja		125	1	-		0.7	D8EA	2120	Q216	DR8EIX	6681
Senda SM 125		125	1	2002-2008		0.9	DPR8EA-9	4929	Q221	DPR8EIX-9	2202
Senda SM-Baja		125	1	-		0.7	D8EA	2120	Q216	DR8EIX	6681
Sonar 125		125	1	2009-2011		0.6	CR7EB	4663			
Sport Coppa		125	1	-		0.5	B9ES	2611	Q202	BR9EIX	3981
Terra 125		125	1	2008-		0.6	CR8EB	7784			
Terra Adventure 125		125	1	2009-		0.6	CR8EB	7784			
TTS9		125	1	-		0.5	B9ES	2611	Q202	BR9EIX	3981
TW Cross City 125		125	1	2007-		0.8	D8EA	2120	Q216	DR8EIX	6681
Variant Sport 125	SG000	125	1	2012-2016	11hp	0.8	CR7EB	4663			
Boulevard 150		150	1	-		0.7	CR9E	6263	Q227	CR9EIX	3521
Boulevard 150		150	1	2003-		0.6	CPR8E	7411			
2002		200	1	-		0.5	B9ES	2611	Q202	BR9EIX	3981
2002 Gran Prix		200	1	-		0.5	B9ES	2611	Q202	BR9EIX	3981
CRX		250	1	-		0.5	BR10EIX**	6801			
Enduro		250	1	-		0.5	BR10EIX**	6801			
GP1		250	1	2006-		0.7	CR9EB	6955			
GP1 250		250	1	2007-		0.7	PMR8B	6378			
GP1 250 Racing		250	1	2007-		0.7	PMR8B	6378			
Rambla 250		250	1	2008-2009		0.7	PMR8B	6378			
Rambla 300i		250	1	2010-		0.7	CR8EKB	4374			
RC		250	1	-		0.5	BR10EIX**	6801			
Turismo 250		250	1	-		0.5	B9ES	2611	Q202	BR9EIX	3981
Mulhacén 659		660	1	2005-		0.6	CR7E	4578	Q225	CR7EIX	7385
Mulhacen 659 Café		660	1	2005-		0.6	CR7E	4578	Q225	CR7EIX	7385

DNEPR

Dnepr -300		649	2	1997-		0.6	BP5HS	4111			
------------	--	-----	---	-------	--	-----	-------	------	--	--	--

DUCATI

250 Sebring		250	1	-		0.5	B6HS	4510		BR6HIX	3419
350 Junior		350	1	1992-1992		0.6	BP7HS	5111		BPR7HIX	5944
350 Sport	350GTV	350	1	1992-1992		0.7	BP5ES	6511		BPR5EIX	6597
400 Monster		400	2	-2005	Germany	*	DCR8EIX**	3606			
400 Scrambler		400	2	-	41hp	0.7	KR8C-G	97516			
600 SS	6S	600	2	1994-1997	Germany	*	DCR8EIX**	3606			
600 Supersport	600S	600	2	1994-		0.6	DCPR8E	4339		DCPR8EIX	6546
Monster 600		600	2	1994-2001		0.7	DCPR8E	4339		DCPR8EIX	6546
Monster 600	600M	600	2	1994-2001		*	DCPR8EIX**	6546			
Monster Dark		600	2	1994-2001		0.7	DCPR8E	4339		DCPR8EIX	6546
Monster S		600	2	1994-2001		0.7	DCPR8E	4339		DCPR8EIX	6546
Monstro 600	600M	600	2	-1998		0.6	DCPR8E	4339		DCPR8EIX	6546

*Bitte Elektrodenabstand nach Angaben des Herstellers justieren

*Please adjust the ground electrode gap

*Veuillez vérifier l'écartement

* Por favor, ajustar la distancia entre los electrodos

*Regolare il gap

** Iridium IX Spark Plug is the standard recommendation





Stock No.

Quick No.

Upgrade ↑

Stock No. ↑

DUCATI

Monstro 600 Dark	600M	600	2	-1998		0.6	DCPR8E	4339		DCPR8EIX	6546
620 Sport	V500AA	620	2	2003-2004		*	DCR8EIX**	3606			
620 Sport	V501AA	620	2	2003-2004		*	DCR8EIX**	3606			
Monster 620 i.e.	M400AA	620	2	2002-2006		0.7	DCPR8E	4339		DCPR8EIX	6546
Monster Dark DD	M409AA	620	2	2004-		0.6	DCPR8E	4339		DCPR8EIX	6546
Monster Dark DD	M403AC	620	2	2004-		0.6	DCPR8E	4339		DCPR8EIX	6546
Monster Dark DD	M408AA	620	2	2004-		0.6	DCPR8E	4339		DCPR8EIX	6546
Multistrada 620	A103AA	620	2	2005-2007		0.9	DCPR8E	4339		DCPR8EIX	6546
Multistrada 620	A104AA	620	2	2005-2007		0.9	DCPR8E	4339		DCPR8EIX	6546
Monster 695	M419AA/ M420AA	695	2	2006-2007		0.9	DCPR8E	4339		DCPR8EIX	6546
Monster 696	M500AA/ M501AA	696	2	2007-	80hp	0.9	DCPR8E	4339		DCPR8EIX	6546
748	H300AA	748	2	1995-2003		0.6	R2525-9	4735			
748	748S	748	2	1999-		0.6	R2525-9	4735			
748 Biposto		748	2	1995-2004		0.6	DCR9EIX**	6650			
748 Biposto	748S	748	2	1999-		0.6	R2525-9	4735			
748 Dark		748	2	2004-2006		0.6	CR9EB	6955			
748 R	748S	748	2	1999-		0.6	DCR9EIX**	6650			
748 R	H300AA	748	2	2000-2004		0.6	R2349-10	6839			
748 S	748S	748	2	-		0.6	R2525-9	4735			
748 S		748	2	2000-2004		0.6	DCR9EIX**	6650			
748 SP	H300AA	748	2	1995-2003		0.6	DCR9EIX** R2525-9	6650 4735			
748 SP		748	2	1995-1998		0.6	R2349-10	6839			
748 SPS	H300AA	748	2	1995-2003		0.6	DCR9EIX** R2525-9	6650 4735			
748 SPS		748	2	1998-2000		0.6	R2349-10	6839			
749 R	H501AG/ H501AF/H501AD	749	2	2003-		0.7	CR9EB	6955			
749 S	H500AA	749	2	2003-		0.7	CR9EB	6955			
750 Sport		750	2	-		0.7	DCPR8E DCR8EIX**	4339 3606		DCPR8EIX	6546
750 SS HF I.E.	V200AA	750	2	-		*	DCR8EIX**	3606			
750 SS i.e.		750	2	1998-		0.7	DCPR8E DCR8EIX**	4339 3606		DCPR8EIX	6546
Monster 750	M100AA	750	2	1996-		0.7	DCPR8E DCR8EIX**	4339 3606		DCPR8EIX	6546
Monster 750	M100AA	750	2	1997-2002		0.8	DCR8EIX**	3606			
Supersport 750 SS	750SC	750	2	1994-2000		0.6	DCR9EIX**	6650			
Supersport 750 SS ie	V200AA	750	2	2000-		0.9	DPR7EA-9	5129	Q220	DPR7EIX-9	7803
800 i.e. Monster	V500AA	800	2	2003-2005		0.7	DCPR8E DCR8EIX**	4339 3606		DCPR8EIX	6546
800 Sport	V500AA	800	2	2003-		0.8	DCR8EIX**	3606			
800 Sport	V500AA	800	2	2003-		0.7	DCPR8E DCR8EIX**	4339 3606		DCPR8EIX	6546
800 SuperSport	V500AA	800	2	2003-		0.8	DCR8EIX**	3606			
Hypermotard	B101AA/ B102AA/B105AA	800	2	2013-	Germany	0.8	MAR9A-J	6869			
Hypermotard 796	B101AA/ B102AA/B105AA	800	2	2009-2012	Germany	0.7	DCPR8E	4339		DCPR8EIX	6546
Monster 796	M506AA	800	2	2010-		0.9	DCPR8E	4339		DCPR8EIX	6546
Monster 800 i.e.	M406AA	800	2	2003-		*	DCR8EIX**	3606			
Monster 800 i.e. S	M406AA	800	2	2003-		0.6	DCPR8E	4339		DCPR8EIX	6546
Monster 800 Sport	V500AA	800	2	2003-		0.6	DCPR8E	4339		DCPR8EIX	6546
Monster 800 Super-sport ie	V500AA	800	2	2003-		0.6	DCPR8E	4339		DCPR8EIX	6546
Monster S2R	M414AA/ M415AA	800	2	2005-2007		0.8	DCR8EIX**	3606			
Monster Standard	M406AA	800	2	2004-		0.6	DCPR8E	4339		DCPR8EIX	6546

*Bitte Elektrodenabstand nach Angaben des Herstellers justieren

*Please adjust the ground electrode gap

*Veuillez vérifier l'écartement

* Por favor, ajustar la distancia entre los electrodos

*Regolare il gap

* Iridium IX Spark Plug is the standard recommendation





Stock No.

Quick No.

Upgrade ↑

Stock No. ↑

DUCATI

S2R 800		800	2	2005-2008		0.7	DCPR8E DCR8EIX**	4339 3606		DCPR8EIX	6546
Scrambler 800		800	2	2015-		0.7	DCPR8E DCR8EIX**	4339 3606		DCPR8EIX	6546
SS 800		800	2	2003-		0.7	DCPR8E DCR8EIX**	4339 3606		DCPR8EIX	6546
Hypermotard		821	2	2013-		0.8	MAR9A-J	6869			
Hyperstrada		821	2	2013-		0.8	MAR9A-J	6869			
Monster 821		821	2	2014-	112hp	0.8	MAR9A-J	6869			
Monster 821 Dark		821	2	2014-		0.8	MAR9A-J	6869			
848 Dark	H600AA/ H601AA	848		2007-	Germany	0.8	MAR10A-J	4706			
848	H600AA/ H601AA	850	2	2007-	Germany	0.8	MAR10A-J	4706			
848 Evo	H600AA/ H601AA	850	2	2011-		0.8	MAR10A-J	4706			
848 Evo Corse s.e.	H600AA/ H601AA	850	2	2012-		0.8	MAR10A-J	4706			
Streetfighter	F102AA/ F103AA/F104JA	850	2	2012-		0.8	MAR10A-J	4706			
851 S.P.,II,III,IV	851S	851	2	-		0.6	DR9EIX**	4772			
860 Desmo SS		860	2	-	Germany	0.5	B6HS	4510		BR6HIX	3419
888 SP5	888S1	888	2	1993-		0.5	R2349-9	4418			
888 Strada		888	2	-1993		0.6	DR9EIX**	4772			
888 Strada	888S	888	2	1993-	Germany	0.6	R2525-9	4735			
888 Strada		888	2	1994-		0.6	DR9EA	3437	Q219	DR9EIX	4772
899 Panigale	H803AA/ H805JA/H804FA	899	2	2013-		0.8	MAR9A-J	6869			
900 Darmah	900SD	900	2	-		0.6	B6HS	4510		BR6HIX	3419
900 SS Final Edition	906SC2	900	2	1999-2003		0.9	DPR8EA-9	4929	Q221	DPR8EIX-9	2202
900 Superlight	906SC2	900	2	1992-		0.6	DCPR8E	4339		DCPR8EIX	6546
900 Supersport		900	2	1997-		0.9	DCPR8E DCR8EIX**	4339 3606		DCPR8EIX	6546
900 Supersport FE		900	2	1997-		0.9	DCPR8E DCR8EIX**	4339 3606		DCPR8EIX	6546
M 900 I.E.	M200AA	900	2	1999-		0.9	DCR8EIX**	3606			
MH 900 E	V300AA	900	2	2002-		0.6	DCPR8E	4339		DCPR8EIX	6546
MH 900 Evoluzione	V300AA	900	2	2000-		0.9	DPR8EA-9	4929	Q221	DPR8EIX-9	2202
Monster 900 S ie	M200AA	900	2	1999-		0.6	DCPR8E	4339		DCPR8EIX	6546
Monster 900 Spezial	M200AA	900	2	2000-	Germany	0.9	DPR8EA-9	4929	Q221	DPR8EIX-9	2202
Monstro 900	900M	900	2	-1999		0.6	DCPR8E	4339		DCPR8EIX	6546
907 i.e.	906PI2	907	2	-		0.6	DCPR8E	4339		DCPR8EIX	6546
916		916	2	1994-		*	DCPR9EIX**	2316			
916 Biposto	1SB8S/916S	916	2	1994-1997		0.5	DCR9EIX**	6650			
916 Senna	1SB8S/916S	916	2	1994-1997		0.5	DCR9EIX**	6650			
916 SP	916SP	916	2	1994-		0.6	R2349-10	6839			
916 SPS Fogarty Replica		916	2	1998-		0.6	R2349-10	6839			
916 ST4 Sporttouring	S200AA	916	2	1998-2003		0.8	DCPR9EIX**	2316			
916 Strada	1SB8S/916S	916	2	1994-1997		0.5	DCR9EIX**	6650			
Monster 916 S4	M400AA	916	2	2001-2003		0.6	DCR9EIX**	6650			
Hypermotard 939		939	2	2016-	113hp	0.8	MAR9A-J	6869			
Hypermotard 939 SP		939	2	2016-	113hp	0.8	MAR9A-J	6869			
Hyperstrada 939		939	2	2016-	113hp	0.8	MAR9A-J	6869			
Supersport 939		939	2	2017-	113hp	0.8	MAR9A-J	6869			
Supersport S 939		939	2	2017-	113hp	0.8	MAR9A-J	6869			
944 ST2 Sporttouring	S100AA	944	2	1997-2003		0.6	DCR8EIX**	3606			
Multistrada 950		950	2	2016-	113hp	0.8	MAR9A-J	6869			
Panigale 959		959	2	2016-	99hp	0.8	MAR9A-J	6869			

*Bitte Elektrodenabstand nach Angaben des Herstellers justieren

*Please adjust the ground electrode gap

*Veuillez vérifier l'écartement

* Por favor, ajustar la distancia entre los electrodos

*Regolare il gap

** Iridium IX Spark Plug is the standard recommendation





Stock No.

Quick No.

Upgrade ↑

Stock No. ↑

DUCATI

Panigale 959		959	2	2016-	157hp	0.8	MAR9A-J	6869			
Desmosedici RR	D100AA/D101AA	989	4	2007-2008		0.8	MAR10A-J	4706			
GT1000		992	2	2006-	Twin Spark	0.9	DCPR8E DCR8EIX**	4339 3606		DCPR8EIX	6546
GT 1000 Sportclassic	C103AA	992	2	2006-2010		0.9	DCPR8E	4339		DCPR8EIX	6546
GT 1000 Sportclassic Touring	C103AB	992	2	2006-2010		0.9	DCPR8E	4339		DCPR8EIX	6546
Monster 1000 i.e.		992	2	2003-	Twin Spark	0.9	DCPR8E DCR8EIX**	4339 3606		DCPR8EIX	6546
Monster S2R		992	2	2005-	Twin Spark	0.9	DCPR8E DCR8EIX**	4339 3606		DCPR8EIX	6546
Monster S2R Dark 1000		992	2	2005-	Twin Spark	0.9	DCPR8E DCR8EIX**	4339 3606		DCPR8EIX	6546
Multistrada DS 1000	A100AA/A100AB	992	2	2004-		0.6	DCPR8E	4339		DCPR8EIX	6546
Paul Smart 1000 Limited Edition		992	2	2005-2006	Twin Spark	0.9	DCPR8E DCR8EIX**	4339 3606		DCPR8EIX	6546
Sport 1000		992	2	2005-		0.9	DCPR8E DCR8EIX**	4339 3606		DCPR8EIX	6546
Sport 1000 S	C101AA/C102AB	992	2	2006-2010		0.9	DCPR8E	4339		DCPR8EIX	6546
SS 1000 DS		992	2	2003-2006	Twin Spark	0.9	DCPR8E DCR8EIX**	4339 3606		DCPR8EIX	6546
ST3 1000 Sporttouring	S300AA	992	2	2004-		0.6	CR9EB	6955			
916 SP	916SP	996	2	1998-		0.5	R2349-9	4418			
916 SPS	916SP	996	2	1998-		0.5	R2349-9	4418			
996 B/S		996	2	1998-		0.8	DCR9EIX**	6650			
996 Biposto		996	2	1998-		0.8	DCR9EIX**	6650			
996 Biposto	H100AA	996	2	1998-		0.5	DCR9EIX**	6650			
996 R	H200AA	996	2	2001-		0.6	R2349-10	6839			
996 S		996	2	2000-2002		0.8	DCR9EIX**	6650			
996 SP	H100AA	996	2	1998-		0.5	DCR9EIX**	6650			
996 SP	H100AA	996	2	1998-		0.6	R2349-9	4418			
996 SPS	H100AA	996	2	1998-		0.5	DCR9EIX**	6650			
996 SPS	H100AA	996	2	1998-		0.6	R2349-9	4418			
996 SPS Factory	H100AA	996	2	1998-		0.5	DCR9EIX**	6650			
996 SPS Racing	H100AA	996	2	1999-2000		0.6	R2349-10	6839			
996 Strada	H100AA	996	2	1998-		0.5	DCR9EIX**	6650			
996 Strada Biposto	H100AA	996	2	1998-		0.5	DCR9EIX**	6650			
996 Strada Biposto	H200AA	996	2	1999-2001		0.6	R2525-9	4735			
Monster 996 S4R		996	2	2003-2006		0.8	DCR9EIX**	6650			
ST4S		996	2	2000-		0.8	DCR9EIX**	6650			
ST4S 996	S200AA/S2001B	996	2	2003-2005		0.5	DCR9EIX**	6650			
ST4S 996 ABS	S200AA/ S301AA3B/ S301AA4B/ S301AB4B	996	2	2003-2005		0.6	DCPR9EIX**	2316			
996 R		998	2	2000-2002		0.6	CR9EB	6955			
998 Biposto, R, S		998	2	2001-		0.6	CR9EB	6955			
998 Matrix		998	2	2003-		0.6	CR9EB	6955			
998 R	H200AA	998	2	2001-		0.6	R2349-10	6839			
999 R	H200AA/ H400AA/ H400AM	998	2	2002-2006		0.6	CR9EB	6955			
999 S	H400AE/ H400AA/ H400AF/ H400AG/ H400AH	998	2	2002-2006		0.6	CR9EB	6955			
Monster S4R	M4417AA/ M417AA/ M418AA	998	2	2007-2007		0.6	CR9EB	6955			
Monster S4R	M4417AA/ M417AA/ M418AA	998	2	2008-		0.6	MAR10A-J	4706			

* Bitte Elektrodenabstand nach Angaben des Herstellers justieren

* Please adjust the ground electrode gap

* Veuillez vérifier l'écartement

* Por favor, ajustar la distancia entre los electrodos

* Regolare il gap

* Iridium IX Spark Plug is the standard recommendation





Stock No.

Quick No.

Upgrade ↑

Stock No. ↑

DUCATI

Monster S4RS	M4417AA/ M417AA/ M418AA	998	2	2006-2007		0.6	CR9E	6263	Q227	CR9EIX	3521
Monster S4RS	M4417AA/ M417AA/ M418AA	998	2	2008-		0.6	MAR10A-J	4706			
1000 DS	A100AA	1000	2	2003-2005		*	DCR8EIX**	3606			
1000 DS	A100AB	1000	2	2006-		0.9	DCPR8E	4339		DCPR8EIX	6546
1000 Sport		1000	2	2003-		0.6	DCPR8E	4339		DCPR8EIX	6546
1000 SuperSport	V503AA	1000	2	2006-		0.9	DCPR8E	4339		DCPR8EIX	6546
1000 Supersport ie		1000	2	2003-		0.6	DCPR8E	4339		DCPR8EIX	6546
Classic Sport 1000	C102AA	1000	2	2006-2009		0.9	DCPR8E	4339		DCPR8EIX	6546
Monster 1000		1000	2	2003-		0.6	DCPR8E	4339		DCPR8EIX	6546
Monster 1000 i.e.	M400AA	1000	2	2003-2005		*	DCR8EIX**	3606			
Monster S2R 1000	M416AA	1000	2	2006-2008		0.9	DCPR8E	4339		DCPR8EIX	6546
Monster Standard	M400AA/ M404AA	1000	2	2004-		0.6	DCPR8E	4339		DCPR8EIX	6546
Multistrada 1000	A100AA	1000	2	2002-2005		*	DCR8EIX**	3606			
Multistrada 1000	A100AA/A100AB	1000	2	2004-2005		*	DCR8EIX**	3606			
Multistrada 1000	A100AB	1000	2	2006-		0.9	DCPR8E	4339		DCPR8EIX	6546
Multistrada 1000 DS	A100AA/A100AB	1000	2	2004-2005		*	DCR8EIX**	3606			
Multistrada 1000 DS	A100AB	1000	2	2006-		0.9	DCPR8E	4339		DCPR8EIX	6546
Multistrada 1000 S	A100AA/A100AB	1000	2	2004-2005		*	DCR8EIX**	3606			
Multistrada 1000 S	A100AB	1000	2	2006-		0.9	DCPR8E	4339		DCPR8EIX	6546
Sport 1000	C102AA	1000	2	2007-		0.6	DCPR8E	4339		DCPR8EIX	6546
Sport 1000 Naked	V500AA	1000	2	2007-		0.6	DCPR8E	4339		DCPR8EIX	6546
Sport 1000 Sportclas- sic	C100AA	1000	2	2006-2006		0.9	DCPR8E	4339		DCPR8EIX	6546
ST3 1000	S300AA	1000	2	2004-2008		0.6	CR9EB	6955			
Hypermotard 1100	B100AA	1078	2	2007-		0.9	DCPR8E	4339		DCPR8EIX	6546
1098	H700AA/ H701AA	1098	2	2007-		0.8	MAR10A-J	4706			
1098S	H700AA/ H701AA	1098	2	2007-		0.8	MAR10A-J	4706			
1098S Tricolore	H700AA/ H701AA	1098	2	2007-		0.8	MAR10A-J	4706			
1098 Tricolore	H700AA/ H701AA	1098	2	2007-		0.8	MAR10A-J	4706			
Hypermotard 1100	B100AA	1100	2	2007-2009	Twin Spark	0.9	DCPR8E	4339		DCPR8EIX	6546
Hypermotard 1100 EVO	B103AA/B106AA	1100	2	2010-		0.7	DCPR8E	4179		DCPR8EIX	6546
Hypermotard 1100 EVO S	B100AA	1100	2	2010-		0.7	DCPR8E	4179		DCPR8EIX	6546
Hypermotard 1100 EVO SP Corse Edition	B103AA/ B104AA/B107AA	1100	2	2012-		0.7	DCPR8E	4179		DCPR8EIX	6546
Hypermotard 1100 S	B100AA	1100	2	2007-2009	Twin Spark	0.9	DCPR8E	4339		DCPR8EIX	6546
Monster 1100	M502AA/ M510AA	1100	2	2009-2010	Twin Spark	0.7	DCPR8E	4179		DCPR8EIX	6546
Monster 1100 EVO		1100	2	2010-		0.7	DCPR8E	4179		DCPR8EIX	6546
Monster 1100 S	M502AA	1100	2	2009-2010	Twin Spark	0.7	DCPR8E	4179		DCPR8EIX	6546
Multistrada 1100	A109AA	1100	2	2008-2010		0.7	DCPR8E	4179		DCPR8EIX	6546
Multistrada 1100 S	A109AA	1100	2	2008-2010		0.7	DCPR8E	4179		DCPR8EIX	6546
Panigale V4		1100	4	2017-	214hp	*	LMDR10A-JS	97718			
Panigale V4 S		1100	4	2017-	214hp	*	LMDR10A-JS	97718			
Panigale V4 Speciale		1100	4	2017-	214hp	*	LMDR10A-JS	97718			
Streetfighter 1100	F100AA/F101AA	1100	2	2009-		0.8	MAR10A-J	4706			
Streetfighter 1100 S	F100AA/F101AA	1100	2	2009-		0.8	MAR10A-J	4706			
1198	H704AA/ H705AA	1198	2	2008-		0.8	MAR10A-J	4706			
1198 R	H702AA/ H702AB/H703AB	1198	2	2008-2009		0.8	MAR10A-J	4706			

* Bitte Elektrodenabstand nach Angaben des Herstellers justieren

* Please adjust the ground electrode gap

* Veuillez vérifier l'écartement

* Por favor, ajustar la distancia entre los electrodos

* Regolare il gap

** Iridium IX Spark Plug is the standard recommendation





Stock No.

Quick No.

Upgrade ↑

Stock No. ↑

DUCATI

1198 R	H702AA/ H702AB/H703AB	1198	2	2009-		0.8	MAR10A-J	4706			
1198 R Corse	H702AB/H703AB	1198	2	2010-		0.8	MAR10A-J	4706			
1198 S	H704AA/ H705AA	1198	2	2008-		0.8	MAR10A-J	4706			
1198 SP	H702AB/H703AB	1198	2	2010-		0.8	MAR10A-J	4706			
1198 S R Corse	H702AB/H703AB	1198	2	2010-		0.8	MAR10A-J	4706			
Diavel 1200 ABS	G100AA/ G100AB/ G101AB	1200	2	2011-	162hp	0.8	MAR9A-J	6869			
Diavel 1200 AMG ABS	G100AB/ G101AB/102JC	1200	2	2013-	162hp	0.8	MAR9A-J	6869			
Diavel 1200 Carbon ABS	G100AA/ G100AB/ G101AB	1200	2	2011-	162hp	0.8	MAR9A-J	6869			
Monster 1200		1200	2	2014-	135hp	0.8	MAR9A-J	6869			
Monster 1200 R	AA00AA/ AA01FA/AA02JA	1200	2	2016-	Twin Spark 160hp	0.8	MAR9A-J	6869			
Monster 1200 R		1200	2	2016-	Twin Spark 95hp	0.8	MAR9A-J	6869			
Monster 1200 S		1200	2	2014-	145hp	0.8	MAR9A-J	6869			
Multistrada 1200	A200AA/A201AA	1200	2	2010-2012		0.8	MAR9A-J	6869			
Multistrada 1200	A300AA/A301FA	1200	2	2013-2014	150hp	0.8	MAR10A-J	4706			
Multistrada 1200 Enduro		1200	2	2016-	Twin Spark 101hp	0.8	MAR9A-J	6869			
Multistrada 1200 Enduro	A04AA/A04JA/ AB00FA	1200	2	2016-	Twin Spark 160hp	0.8	MAR9A-J	6869			
Multistrada 1200 S	A200AD/A201AD	1200	2	2010-2012		0.8	MAR9A-J	6869			
Multistrada 1200 S GT	A300AA/ A301FA/A302JA	1200	2	2013-2014		0.8	MAR10A-J	4706			
Panigale 1199	H800AB/H801AB	1200	2	2012-2014		0.8	MAR9A-J	6869			
Panigale 1199 R	H800AB/ H800AD/ H801AB/H802JA	1200	2	2013-2014	195hp	0.8	MAR9A-J	6869			
Panigale 1199 R	H900AA/ H901FA/H902JA	1200	2	2015-	205hp	0.8	MAR9A-J	6869			
Panigale 1199 S	H800AA/ H801AA	1200	2	2012-2014	195hp	0.8	MAR9A-J	6869			
Panigale 1199 S Tri-colore	H800AB/H801AB	1200	2	2012-2013	195hp	0.8	MAR9A-J	6869			
Superleggera 1199	H806AA/ H808JA/H807FA	1200	2	2014-2014		0.8	MAR9A-J	6869			
Multistrada 1260		1260	2	2018-	Twin Spark 158hp	0.8	MAR9A-J	6869			
Multistrada 1260 Pikes Peak		1260	2	2018-	Twin Spark 158hp	0.8	MAR9A-J	6869			
Multistrada 1260 S		1260	2	2018-	Twin Spark 158hp	0.8	MAR9A-J	6869			
Multistrada 1260 S D air		1260	2	2018-	Twin Spark 158hp	0.8	MAR9A-J	6869			
Xdiavel 1260	GA00AA/ GA01JA/GB00FA	1260	2	2016-	Twin Spark 156hp	0.8	MAR9A-J	6869			
Xdiavel 1260		1260	2	2016-	Twin Spark 98hp	0.8	MAR9A-J	6869			
Xdiavel 1260 S	GA00AA/ GA01JA/GB00FA	1260	2	2016-	Twin Spark	0.8	MAR9A-J	6869			
Panigale 1299		1299	2	2015-	205hp	0.8	MAR9A-J	6869			
Panigale 1299 R Final Edition		1299	2	2018-	209hp	0.8	MAR10A-J	4706			
Panigale 1299 S		1299	2	2015-	205hp	0.8	MAR9A-J	6869			
Panigale 1299 S Anniversario	H903AA/H904FA	1299	2	2017-	205hp	0.8	MAR9A-J	6869			

EBR

1190RX		1190	2	2014-		0.8	CR9EKB	2305			
1190SX		1190	2	2014-		0.8	CR9EKB	2305			

ENDRESS

EMR 50		50	1	-		0.6	BR8HSA	5539			
---------------	--	----	---	---	--	-----	--------	------	--	--	--

* Bitte Elektrodenabstand nach Angaben des Herstellers justieren

* Please adjust the ground electrode gap

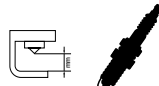
* Veuillez vérifier l'écartement

* Por favor, ajustar la distancia entre los electrodos

* Regolare il gap

* Iridium IX Spark Plug is the standard recommendation





Stock No.

Quick No.

Upgrade ↑

Stock No. ↑

ENDRESS

EMR 50 DJ		50	1	1997-		0.6	BR8HSA	5539			
EMR 50 Ergon		50	1	1997-		0.6	BP6HS	4511		BPR6HIX	4085

EPELLA

Monkey 50 Edition	JC50Q-7	50	1	2007-		0.7	CR6HSA	2983		CR6HIX	7274
RT 50		50	1	2007-		0.7	BPR7HS	6422		BPR7HIX	5944
Chopper 2Z		125	1	2007-		0.6	CR7HSA	4549		CR7HIX	7544
G-Max 125 PGO		125	1	2007-		0.6	CR7HSA	4549		CR7HIX	7544

ERING

Speedy 25		25	1	-		0.6	CR7HSA	4549		CR7HIX	7544
Sprint 25		25	1	-		0.6	CR7HSA	4549		CR7HIX	7544
AT 50 pt 2		50	1	1999-2001		0.6	B6HS	4510		BR6HIX	3419
Cat 50		50	1	1998-2002		0.6	B6HS	4510		BR6HIX	3419
Jet 50		50	1	1999-2002		0.6	B6HS	4510		BR6HIX	3419
Rapido 50		50	1	1999-2001		0.6	B6HS	4510		BR6HIX	3419
RT 50		50	1	2007-		0.6	B6HS	4510		BR6HIX	3419
Silver Fox 50		50	1	-		0.6	B6HS	4510		BR6HIX	3419
Speedy 45		50	1	-		0.6	CR7HSA	4549		CR7HIX	7544
Sprint 45		50	1	-		0.6	CR7HSA	4549		CR7HIX	7544
Sprint 50		50	1	-		0.7	C7HSA	4629		CR7HIX	7544
Thunderbike 50		50	1	-		0.6	B6HS	4510		BR6HIX	3419
Cat 125		125	1	-		0.6	CR7HSA	4549		CR7HIX	7544
Shining 125		125	1	-		0.6	CR7HSA	4549		CR7HIX	7544
Thunderbike 125		125	1	-		0.6	CR7HSA	4549		CR7HIX	7544

EXPLORER

Spin GE50		50	1	-		0.8	BR7ES	5122		BR7EIX	6664
------------------	--	----	---	---	--	-----	-------	------	--	--------	------

FANTIC

Big Wheel 50		50	1	1994-		0.5	B8HS	5510		BR8HIX	7001
Caballero 50		50	1	2006-		0.7	BR9ES	5722		BR9EIX	3981
Gran Turismo		50	1	-		0.5	B6HS	4510		BR6HIX	3419
Grinta 50		50	1	1995-		0.6	B7HS	5110		BR7HIX	7067
Issimo		50	1	-		0.5	B6HS	4510		BR6HIX	3419
Issimo 50		50	1	-		0.5	B5HS	4210			
Issimo Convert		50	1	-		0.5	B5HS	4210			
Issimo Convert Kick 50		50	1	-		0.5	B5HS	4210			
Junior 50		50	1	-		0.5	B5HS	4210			
Lei 50		50	1	-		0.5	B6HS	4510		BR6HIX	3419
Queenie		50	1	-		0.6	BP7HS	5111		BPR7HIX	5944
Tender To 50		50	1	-		0.5	B5HS	4210			
Trial 50		50	1	-		0.5	B7HS	5110		BR7HIX	7067
Caballero 80		75	1	-		0.5	B9HS	5810		BR9HIX	5687
Koala 75		75	1	-		0.5	B8ES	2411	Q201	BR8EIX	5044
Oasis 75		75	1	-		0.5	B8ES	2411	Q201	BR8EIX	5044
Trial 75		75	1	-		0.5	B8HS	5510		BR8HIX	7001
Caballero 80		80	1	-		0.5	B8EG	3430			
Caballero 80 RC		80	1	-		0.5	B8EG	3430			
Enduro 80		80	1	-		0.5	B8EG	3430			
RSX 80		80	1	-		0.5	B8EG	3430			
Section 80		80	1	1995-1997		0.5	BCP7ES	5030			
Caballero 125		125	1	-		0.5	B9EG	3530			
Competicion		125	1	-		0.5	B7HS	5110		BR7HIX	7067

*Bitte Elektrodenabstand nach Angaben des Herstellers justieren

*Please adjust the ground electrode gap

*Veuillez vérifier l'écartement

* Por favor, ajustar la distancia entre los electrodos

*Regolare il gap

** Iridium IX Spark Plug is the standard recommendation





Stock No.

Quick No.

Upgrade ↑

Stock No. ↑

FANTIC

Cross 125		125	1	-		0.5	B9EG	3530			
Professional 125		125	1	-		0.5	B6HS	4510		BR6HIX	3419
RSX 125		125	1	-		0.5	B9EG	3530			
Trial		125	1	-		0.5	B7HS	5110		BR7HIX	7067
Trial 125		125	1	-		0.5	B6HS	4510		BR6HIX	3419
Trial 200		160	1	-		0.5	BP7HS	5111		BPR7HIX	5944
TX 160		160	1	-		0.5	B8EG	3430			
Enduro 175		175	1	-		0.5	B8EG	3430			
Trial 200		200	1	-		0.5	B6HS	4510		BR6HIX	3419
Trial 240		240	1	-		0.5	B6HS	4510		BR6HIX	3419
Section 250		250	1	1995-1997		0.5	BCP7ES	5030			
Trial 301		250	1	-		0.5	B8ES	2411	Q201	BR8EIX	5044
Trial 301 Competicion		250	1	-		0.5	BP5ES	6511		BPR5EIX	6597
Trial 305		250	1	-		0.5	B8ES	2411	Q201	BR8EIX	5044
Trial 307		250	1	-		0.5	B8ES	2411	Q201	BR8EIX	5044
Trial Coach 250		250	1	-		0.5	B8ES	2411	Q201	BR8EIX	5044
Trial K-Roo 250		250	1	-		0.5	B8ES	2411	Q201	BR8EIX	5044
TX 250		250	1	-		0.5	B8EG	3430			
TX 260		260	1	-		0.5	B8EG	3430			
Professional 300		300	1	-		0.5	B8EG	3430			
TX 330		330	1	-		0.5	B8EG	3430			

FITE

Champion H-Y		50	1	-		0.6	B8HS	5510		BR8HIX	7001
Cross CR-2		50	1	-		0.6	B8HS	5510		BR8HIX	7001
Cross CR-3		50	1	-		0.6	B6HS	4510		BR6HIX	3419
Safari BX		50	1	-		0.6	B6HS	4510		BR6HIX	3419
Safari BX		50	1	-		0.6	B8HS	5510		BR8HIX	7001
Sandy 4M		50	1	-		0.6	B8HS	5510		BR8HIX	7001
Small		50	1	-		0.6	B6HS	4510		BR6HIX	3419

G+G

Cruso		1200	2	2003-		*	BKR7EKC	7354			
Cruso S		1200	2	2003-		*	BKR7EKC	7354			

GARELLI

303 50		50	1	-		0.6	BPR7HS	6422		BPR7HIX	5944
Astro 50		50	1	-		0.6	BR9HS	4522		BR9HIX	5687
Astro 50		50	1	2001-		0.6	BR9HS	4522		BR9HIX	5687
Big Whell		50	1	1993-		0.6	BPR7HS	6422		BPR7HIX	5944
Flo 50		50	1	-		0.6	BPR7HS	6422		BPR7HIX	5944
FX 50		50	1	-		0.6	BR9HS	4522		BR9HIX	5687
Grinta 50		50	1	1993-		0.6	BP7HS	5111		BPR7HIX	5944
Hussar 50		50	1	-		0.6	BR8HSA	5539			
KRC 50		50	1	-		0.6	BR9HS	4522		BR9HIX	5687
KRS 50		50	1	-		0.6	BR9HS	4522		BR9HIX	5687
M 901 50		50	1	-		0.6	BR9HS	4522		BR9HIX	5687
Mars 50		50	1	-		0.6	BR9HS	4522		BR9HIX	5687
Match 50		50	1	-		0.6	BR8HSA	5539			
PMX Rally 50		50	1	-		0.6	BPR7HS	6422		BPR7HIX	5944
PMX Sport 50		50	1	-		0.6	BPR7HS	6422		BPR7HIX	5944
Pony 50		50	1	-		0.6	BP7HS	5111		BPR7HIX	5944
Queenie 50		50	1	1992-		0.6	BP7HS	5111		BPR7HIX	5944
Racing		50	1	-1993		0.6	BP7HS	5111		BPR7HIX	5944

*Bitte Elektrodenabstand nach Angaben des Herstellers justieren

*Please adjust the ground electrode gap

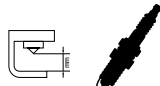
*Veuillez vérifier l'écartement

* Por favor, ajustar la distancia entre los electrodos

*Regolare il gap

* Iridium IX Spark Plug is the standard recommendation





Stock No.

Quick No.

Upgrade ↑

Stock No. ↑

GARELLI

Racing SR		50	1	-1993		0.6	BP7HS	5111		BPR7HIX	5944
Raider 50		50	1	-		0.6	BR9HS	4522		BR9HIX	5687
Roadshow 50		50	1	-		0.6	BR9HS	4522		BR9HIX	5687
RZ1 50		50	1	-		0.6	BR9HS	4522		BR9HIX	5687
Shark 50		50	1	-		0.6	BR9HS	4522		BR9HIX	5687
SR 50		50	1	-		0.6	BP7HS	5111		BPR7HIX	5944
Starter 50		50	1	-		0.6	BR9HS	4522		BR9HIX	5687
Team Mat		50	1	-		0.5	B6HS	4510		BR6HIX	3419
XM-1		50	1	-		0.6	BR8HSA	5539			
PMX Sport		106	1	-		0.6	BR8HS	4915	Q212	BR8HIX	7001
PMX Sport 110		110	1	-		0.6	BPR6HS	7022		BPR6HIX	4085
303 R 125		125	1	-		0.5	CR7HSA	4549		CR7HIX	7544
Blast 125		125	1	-		0.5	CR7HSA	4549		CR7HIX	7544
GTA 125 / ES		125	1	-		0.5	B10ES	7928		BR10EIX	6801
Hussar 125		125	1	-		0.6	CR7HSA	4549		CR7HIX	7544
Hussar 125		125	1	2001-		0.6	CR7HSA	4549		CR7HIX	7544
Joker 125		125	1	2003-		0.7	CR7HSA	4549		CR7HIX	7544
T-Rex 125		125	1	-		0.6	CR7HSA	4549		CR7HIX	7544
Freeland 150		150	1	-		0.7	CR7HSA	4549		CR7HIX	7544
Joker 150		150	1	-		0.7	CR7HSA	4549		CR7HIX	7544
T-Rex 125		150	1	2001-		0.5	CR7HSA	4549		CR7HIX	7544
T-Rex 150		150	1	-		0.5	CR7HSA	4549		CR7HIX	7544
T-Rex 150		150	1	2001-		0.6	CR7HSA	4549		CR7HIX	7544

GAS GAS

Contact		50	1	-		0.6	B8HS	5510		BR8HIX	7001
EC Boy 50		50	1	2000-		0.5	B8HS	5510		BR8HIX	7001
EC Rookie 50		50	1	2000-		0.6	BR9ES	5722		BR9EIX	3981
Enducross		50	1	-		0.6	B8HS	5510		BR8HIX	7001
Endurocross Boy		50	1	-		0.6	BPR5ES	7422		BPR5EIX	6597
SM 50 Supermotard		50	1	2004-		0.6	B9ES	2611	Q202	BR9EIX	3981
TXT Boy		50	1	-		0.6	BPR5ES	7422		BPR5EIX	6597
TXT Boy 50		50	1	2004-		0.6	BR8ECM	3035		BR8ECMIX	3520
MC 65		65	1	2006-		0.7	BR10ES	4832		BR10EIX	6801
Husqvarna (TM)		75	1	-		0.5	B10EG	3630			
TXT Boy 80		80	1	-		0.5	BPR5ES	7422		BPR5EIX	6597
TXT PRO Racing		80	1	2015-		0.5	BPR5ES	7422		BPR5EIX	6597
Contact T 12		125	1	1994-		0.5	BP5ES	6511		BPR5EIX	6597
Cross TT 125		125	1	-		0.5	BR10EIX**	6801			
EC 125		125	1	1997-		0.6	B9EG	3530			
EC 125		125	1	2004-		0.6	BR9EG	3230			
Enducross 125		125	1	1997-		0.6	BR9EG	3230			
Enducross TT 125		125	1	1995-		0.5	BR10EIX**	6801			
Enduro 125		125	1	2002-		0.6	BR8EG	3130			
GT12		125	1	1993-1993	Water fluid	0.5	BP5ES	6511		BPR5EIX	6597
GT 125		125	1	1994-		0.5	BP5ES	6511		BPR5EIX	6597
Halley 125		125	1	2009-		0.7	BR9ES	5722		BR9EIX	3981
Husqvarna (TM)		125		-		0.5	B10EG	3630			
JT 125 Contact		125	1	1995-		0.5	BP5ES	6511		BPR5EIX	6597
MC 125		125	1	2004-		0.6	BR9EG	3230			
Pampera 125		125	1	1997-		0.8	BPR6ES	7822		BPR6EIX	6637
Pampera 125		125	1	2010-		0.8	BPR6ES	7822		BPR6EIX	6637
Racing, SIX		125	1	2010-		0.7	BR9EG	3230			

* Bitte Elektrodenabstand nach Angaben des Herstellers justieren

* Please adjust the ground electrode gap

* Veuillez vérifier l'écartement

* Por favor, ajustar la distancia entre los electrodos

* Regolare il gap

** Iridium IX Spark Plug is the standard recommendation





Stock No.

Quick No.

Upgrade ↑

Stock No. ↑

GAS GAS

Supermotard		125	1	-		0.7	BR9EG	3230			
Trial 125		125	1	-		0.5	BP5ES	6511		BPR5EIX	6597
Trial 125		125	1	1999-		0.6	BPR5ES	7422		BPR5EIX	6597
TT 125		125	1	-		0.6	BR8EG	3130			
TX 125		125	1	1997-1998		0.6	BPR5ES	7422		BPR5EIX	6597
TX Randonne		125	1	2011-	10mm Thread Size / 12,7mm Thread Reach	0.6	CR6HSA	2983		CR6HIX	7274
TXT 125		125	1	1999-		0.6	BPR5ES	7422		BPR5EIX	6597
TXT 125 Pro		125	1	2004-		0.6	BPR5ES	7422		BPR5EIX	6597
Contact T16		143	1	1994-		0.5	BP5ES	6511		BPR5EIX	6597
16 Contact		160	1	1995-		0.5	BP5ES	6511		BPR5EIX	6597
GT16		160	1	-	Water fluid	0.5	BP5ES	6511		BPR5EIX	6597
EC 200		200	1	1999-		0.6	BR10EIX**	6801			
EC 200		200	1	2004-		0.6	BR8EG	3130			
EC 200 Racing		200	1	2011-		0.7	BR8EG	3130			
Enduro 200		200	1	2002-		0.6	BR8EG	3130			
Endurocross		200	1	1999-		0.5	BR10EIX**	6801			
Endurocross		200	1	2002-		0.5	BR8EG	3130			
Pampera 200		200	1	-		0.8	BPR6ES	7822		BPR6EIX	6637
TT 200		200	1	-		0.6	BR8EG	3130			
TX 200		200	1	1997-1998		0.6	BPR5ES	7422		BPR5EIX	6597
TXT 200		200	1	1999-		0.6	BPR5ES	7422		BPR5EIX	6597
TXT 240 Trial		200	1	1999-		0.6	BPR5ES	7422		BPR5EIX	6597
Contact JT 25		238	1	1994-		0.5	BP5ES	6511		BPR5EIX	6597
GT 25		240	1	1994-		0.5	BP5ES	6511		BPR5EIX	6597
TXT 249 Trial		249	1	1999-		0.6	BPR5ES	7422		BPR5EIX	6597
250 MC		250	1	2004-		0.6	BR8EG	3130			
Contact 250		250	1	2015-		0.6	BPR5ES	7422		BPR5EIX	6597
Cross 250		250	1	-		0.6	BR8EG	3130			
Delta 25 GT		250	1	-		0.5	BP5ES	6511		BPR5EIX	6597
EC 250		250	1	1997-		0.5	B8EG	3430			
EC 250	EC	250	1	1997-		0.5	B8EG	3430			
EC 250	EC	250	1	2004-		0.6	BR8EG	3130			
EC 250 Racing		250	1	2010-		0.7	BR8EG	3130			
EC 250 SIX		250	1	2010-		0.7	BR8EG	3130			
ECF 250 4T		250	1	2010-2011		0.7	CR8E	4854	Q226	CR8EIX	4218
ECF 250 4T		250	1	2012-		0.6	CR9E	6263	Q227	CR9EIX	3521
ECF 250 SIX 4T		250	1	2010-2011		0.7	CR8E	4854	Q226	CR8EIX	4218
ECF 250 SIX 4T		250	1	2012-		0.6	CR9E	6263	Q227	CR9EIX	3521
Enducross	EC	250	1	1997-		0.6	BR8EG	3130			
Enducross 250		250	1	-		0.5	BR10EIX**	6801			
Enduro 250		250	1	2002-		0.6	BR8EG	3130			
Husqvarna (TM)		250		-		0.5	B10EG	3630			
MC 250		250	1	2004-		0.6	BR8EG	3130			
Pampera 250		250	1	1997-2003		0.6	BPR6ES	7822		BPR6EIX	6637
Pampera 250		250	1	2004-		0.5	BPR5ES	7422		BPR5EIX	6597
Piri-A 6 Magnum		250	1	-		0.5	BP5ES	6511		BPR5EIX	6597
Supermotard		250	1	-		0.5	BR8EG	3130			
Trial 250		250	1	-	Air	0.5	BP5ES	6511		BPR5EIX	6597
Trial 250		250	1	-	Water fluid	0.5	BP5ES	6511		BPR5EIX	6597
TT 250		250	1	-		0.6	BR8EG	3130			
TX 250		250	1	1997-1998		0.6	BPR5ES	7422		BPR5EIX	6597

*Bitte Elektrodenabstand nach Angaben des Herstellers justieren

*Please adjust the ground electrode gap

*Veuillez vérifier l'écartement

* Por favor, ajustar la distancia entre los electrodos

*Regolare il gap

* Iridium IX Spark Plug is the standard recommendation





Stock No.

Quick No.

Upgrade ↑

Stock No. ↑

GAS GAS

TXT 250		250	1	-	Italy	0.6	BPR5ES	7422		BPR5EIX	6597
TXT 250 Pro	TXT	250	1	2001-		0.6	BPR5ES	7422		BPR5EIX	6597
TXT 250 Raga Replica	TXT	250	1	2011-		0.6	BPR5ES	7422		BPR5EIX	6597
TXT 270 Trial	TXT	270	1	1999-		0.6	BPR5ES	7422		BPR5EIX	6597
TXT 280		272	1	2000-	Italy	0.5	BP5ES	6511		BPR5EIX	6597
Pampera 280		280		-		0.5	BPR5ES	7422		BPR5EIX	6597
TXT 280		280	1	-		0.6	BPR5ES	7422		BPR5EIX	6597
TXT 280 Pro	TXT	280	1	2004-		0.6	BPR5ES	7422		BPR5EIX	6597
TXT 280 Racing	TXT	280	1	2011-		0.6	BPR5ES	7422		BPR5EIX	6597
TXT 280 Raga Replica	TXT	280	1	2011-		0.6	BPR5ES	7422		BPR5EIX	6597
TXT 280 Trial	TXT	280	1	2000-		0.6	BPR5ES	7422		BPR5EIX	6597
EC 300		300	1	1999-	Italy	0.6	BR10EIX**	6801			
EC 300	EC	300	1	2004-		0.6	BR8EG	3130			
EC 300 F		300	1	2013-		0.6	CR9E	6263	Q227	CR9EIX	3521
EC 300 Racing	EC	300	1	2010-		0.7	BR8EG	3130			
EC 300 SIX	EC	300	1	2010-		0.7	BR8EG	3130			
Enduro 300		300	1	2002-		0.6	BR8EG	3130			
TT 300		300	1	-		0.6	BR8EG	3130			
TXT 300		300	1	-		0.5	BPR5ES	7422		BPR5EIX	6597
TXT 300	TXT	300	1	2011-		0.6	BPR5ES	7422		BPR5EIX	6597
TXT 300 Pro	TXT	300	1	2011-		0.6	BPR5ES	7422		BPR5EIX	6597
TXT 300 Racing	TXT	300	1	2011-		0.6	BPR5ES	7422		BPR5EIX	6597
TXT 300 Raga Replica	TXT	300	1	2011-		0.6	BPR5ES	7422		BPR5EIX	6597
JT 320 Contact	JT	320	1	1995-		0.5	BP5ES	6511		BPR5EIX	6597
Pampera 320		320	1	-		0.8	BPR6ES	7822		BPR6EIX	6637
TX 320	TX	320	1	1997-1998		0.6	BPR5ES	7422		BPR5EIX	6597
TX,TXT 321		321	1	1999-		0.5	BP5ES	6511		BPR5EIX	6597
TXT 321		321	1	1999-		0.6	BPR5ES	7422		BPR5EIX	6597
TXT 321 Trial	TXT	321	1	1999-		0.6	BPR5ES	7422		BPR5EIX	6597
Delta 32 GT		330	1	-		0.5	BP5ES	6511		BPR5EIX	6597
Trial 327		330	1	-		0.5	BP5ES	6511		BPR5EIX	6597
Trial Halley PXC 325		330	1	-		0.5	B9ES	2611	Q202	BR9EIX	3981
JTR 370	JTR	370	1	-		0.5	BPR5ES	7422		BPR5EIX	6597
Pampera 370	PP	370	1	1997-		0.6	BPR6ES	7822		BPR6EIX	6637
EC 400 FSE		400	1	2002-		0.7	CR8E	4854	Q226	CR8EIX	4218
Pampera 400		400	1	2006-		0.7	CR8E	4854	Q226	CR8EIX	4218
SM 400		400	1	-		0.7	CR8E	4854	Q226	CR8EIX	4218
EC 450	EC	450	1	2005-		0.6	CR8E	4854	Q226	CR8EIX	4218
EC 450 FSE		450	1	-		0.7	CR8E	4854	Q226	CR8EIX	4218
FSE 450		450	1	2003-		0.7	CR8E	4854	Q226	CR8EIX	4218
Halley 450 R		450	1	2008-		0.7	CR8E	4854	Q226	CR8EIX	4218
Pampera 450		450	1	2007-		0.7	CR8E	4854	Q226	CR8EIX	4218
SM 450		450	1	2004-		0.7	CR8E	4854	Q226	CR8EIX	4218
SM 450 FSE		450	1	-		0.7	CR8E	4854	Q226	CR8EIX	4218
SM Halley 450		450	1	2009-		0.7	CR8E	4854	Q226	CR8EIX	4218
Normada 500		500	1	-		0.5	D8EA	2120	Q216	DR8EIX	6681
EC 515 FSR	EC	515	1	2008-2010		0.7	CR8E	4854	Q226	CR8EIX	4218
SM 515		515	1	2008-2010		0.7	CR8E	4854	Q226	CR8EIX	4218

GENERIC

50.com		50	1	-		0.8	BR7ES	5122		BR7EIX	6664
Atura K50		50	1	-		0.5	BR8HSA	5539			
Cracker 50		50	1	2007-		0.8	BR7ES	5122		BR7EIX	6664

*Bitte Elektrodenabstand nach Angaben des Herstellers justieren

*Please adjust the ground electrode gap

*Veuillez vérifier l'écartement

* Por favor, ajustar la distancia entre los electrodos

*Regolare il gap

** Iridium IX Spark Plug is the standard recommendation





Stock No.

Quick No.

Upgrade ↑

Stock No. ↑

GENERIC

Epico 50		50	1	-		0.5	BR8HSA	5539			
Evolution 50		50	1	2007-		0.8	BR7ES	5122		BR7EIX	6664
Explorer Cracker 50		50	1	-		0.8	BR7ES	5122		BR7EIX	6664
Explorer Kallio 50		50	1	-		0.5	BR8HSA	5539			
Explorer Race 50		50	1	-		0.8	BR7ES	5122		BR7EIX	6664
Explorer Spin 50		50	1	-		0.8	BR7ES	5122		BR7EIX	6664
Explorer Twister 50		50	1	-		0.8	BR7ES	5122		BR7EIX	6664
Generic Cracker 50		50	1	-		0.8	BR7ES	5122		BR7EIX	6664
Generic Epico 50		50	1	-		0.5	BR8HSA	5539			
Generic Ideo 50		50	1	-		0.8	BR7ES	5122		BR7EIX	6664
Generic Onyx 50		50	1	-		0.5	BR8HSA	5539			
Generic Race 50		50	1	-		0.8	BR7ES	5122		BR7EIX	6664
Generic Toxic 50		50	1	-		0.8	BR7ES	5122		BR7EIX	6664
Generic Vendetta 50		50	1	-		0.5	BR8HSA	5539			
Generic XOR 50		50	1	-		0.8	BR7ES	5122		BR7EIX	6664
G-Ride 50.com		50	1	-		0.8	BR7ES	5122		BR7EIX	6664
G-Ride Evolution 50		50	1	-		0.8	BR7ES	5122		BR7EIX	6664
Ideo 50		50	1	-		0.8	BR7ES	5122		BR7EIX	6664
Kallio 50		50	1	-		0.5	BR8HSA	5539			
Limited 50		50	1	-		0.7	BR7ES	5122		BR7EIX	6664
Omen 50		50	1	-		0.8	BR7ES	5122		BR7EIX	6664
Onyx 50		50	1	-		0.5	BR8HSA	5539			
Race 50		50	1	-		0.8	BR7ES	5122		BR7EIX	6664
Race 50		50	1	2011-		0.7	BR8HSA	5539			
Race Limited 50		50	1	-		0.8	BR7ES	5122		BR7EIX	6664
Ride 50.com		50	1	-		0.8	BR7ES	5122		BR7EIX	6664
Ride Cracker 50		50	1	-		0.8	BR7ES	5122		BR7EIX	6664
Ride Evolution 50		50	1	-		0.8	BR7ES	5122		BR7EIX	6664
Ride Kallio 50		50	1	-		0.5	BR8HSA	5539			
Ride Omen 50		50	1	-		0.8	BR7ES	5122		BR7EIX	6664
Ride Race 50		50	1	-		0.8	BR7ES	5122		BR7EIX	6664
Ride Slash 50		50	1	-		0.8	BR7ES	5122		BR7EIX	6664
Ride Topic 50		50	1	-		0.8	BR7ES	5122		BR7EIX	6664
Ride Twister 50		50	1	-		0.8	BR7ES	5122		BR7EIX	6664
Ride Vendetta 50		50	1	-		0.5	BR8HSA	5539			
Roc 50		50	1	-		0.8	BR7ES	5122		BR7EIX	6664
Toxic 50		50	1	-		0.7	BR7ES	5122		BR7EIX	6664
Trigger 50		50	1	-		0.6	BR9ES	5722		BR9EIX	3981
Trigger SM		50	1	-		0.7	BR9ES	5722		BR9EIX	3981
Trigger SM		50	1	2007-		0.7	BR7ES	5122		BR7EIX	6664
Trigger SM Competition		50	1	-		0.7	BR9ES BR7ES	5722 5122		BR9EIX BR7EIX	3981 6664
Trigger X50		50	1	2007-		0.7	BR7ES	5122		BR7EIX	6664
Trigger X Competition		50	1	-		0.7	BR7ES BR9ES	5122 5722		BR7EIX BR9EIX	6664 3981
Trigger X Competition Full Power		50	1	-		0.7	BR9ES	5722		BR9EIX	3981
Twister 50		50	1	-		0.8	BR7ES	5122		BR7EIX	6664
Vendetta 50		50	1	-		0.5	BR8HSA	5539			
XOR 50		50	1	-		0.8	BR7ES	5122		BR7EIX	6664
XOR 50 Competition		50	1	2007-		0.7	BR7ES	5122		BR7EIX	6664
XOR 50 Williams		50	1	-		0.7	BR7ES	5122		BR7EIX	6664
XOR Stroke 50		50	1	2007-		0.7	BR7ES	5122		BR7EIX	6664
Explorer Race 125		125	1	-		0.7	CR8E	4854	Q226	CR8EIX	4218

*Bitte Elektrodenabstand nach Angaben des Herstellers justieren

*Please adjust the ground electrode gap

*Veuillez vérifier l'écartement

* Por favor, ajustar la distancia entre los electrodos

*Regolare il gap

* Iridium IX Spark Plug is the standard recommendation





Stock No.

Quick No.

Upgrade ↑

Stock No. ↑

GENERIC

Generic Race 125		125	1	-		0.7	CR8E	4854	Q226	CR8EIX	4218
Generic Soho 125		125	1	-		0.7	CR8E	4854	Q226	CR8EIX	4218
Generic XOR 125		125	1	-		0.5	CR7HSA	4549		CR7HIX	7544
Generic Zion 125		125	1	-		0.7	CR8E	4854	Q226	CR8EIX	4218
Race 125		125	1	-		0.7	CR8E	4854	Q226	CR8EIX	4218
Ride Sarrio 125		125	1	-		0.7	CR8E	4854	Q226	CR8EIX	4218
Soho 125		125	1	-		0.7	CR8E	4854	Q226	CR8EIX	4218
XOR 125		125	1	-		0.5	CR7HSA	4549		CR7HIX	7544
XOR 125 Williams		125	1	2008-		0.7	CR7HSA	4549		CR7HIX	7544
Zion125		125	1	-		0.7	CR8E	4854	Q226	CR8EIX	4218
Generic Soho 150		150	1	-		0.7	CR8E	4854	Q226	CR8EIX	4218
Soho 150		150	1	-		0.7	CR8E	4854	Q226	CR8EIX	4218

GILERA

CB1 4V		50	1	-		0.5	B6ES	7310			
CBA		50	1	-		0.5	B6HS	4510		BR6HIX	3419
DNA 50		50	1	2000-		0.6	BR9ES	5722		BR9EIX	3981
DNA 50		50	1	2001-		0.6	BR9ES	5722		BR9EIX	3981
DNA 50 GP		50	1	2002-		0.6	BR9ES	5722		BR9EIX	3981
Eaglet 50		50	1	1993-		0.6	B9ES	2611	Q202	BR9EIX	3981
Easy Mooving		50	1	1995-		0.6	B9ES	2611	Q202	BR9EIX	3981
EC 1		50	1	1992-		0.5	B5HS	4210			
GP 50		50	1	2002-		0.6	B9EG	3530			
Grande		50	1	-		0.5	B6HS	4510		BR6HIX	3419
GSM 50		50	1	2000-		0.7	BR9ES	5722		BR9EIX	3981
GSM Gilera 2T		50	1	2000-		0.6	BR9ES	5722		BR9EIX	3981
H@K 50		50	1	2000-		0.7	BR9ES	5722		BR9EIX	3981
Ice		50	1	2000-		0.6	BR9ES	5722		BR9EIX	3981
Ice		50	1	2002-		0.6	B9ES	2611	Q202	BR9EIX	3981
Jetrunner		50	1	2003-		0.8	CPR8E	7411			
Pure Jet 50		50	1	2004-		0.6	CPR8E	7411			
RCR 50		50	1	2004-	DERBI	0.5	BR9ES	5722		BR9EIX	3981
RCR 50 2T	RCR	50	1	2004-	DERBI	0.5	BR9ES	5722		BR9EIX	3981
RCR 50 4T		50	1	2006-		0.7	PMR7A	4259			
RK 50	RK	50	1	-		0.5	B9ES	2611	Q202	BR9EIX	3981
Runner		50	1	1997-		0.6	B9EG	3530			
Runner 2P 2D		50	1	1997-		0.6	B9ES	2611	Q202	BR9EIX	3981
Runner 50 2T		50	1	1997-		0.6	BR9ES	5722		BR9EIX	3981
Runner 50 4T		50	1	2004-		0.8	CPR8E	7411			
Runner DD		50	1	1997-		0.6	B9EG	3530			
Runner PJ		50	1	2005-		0.6	CPR8E	7411			
Runner Pure Jet		50	1	2003-		0.6	CPR8E	7411			
Runner Pure Jet Injection		50	1	2003-2005		0.6	CPR8E	7411			
Runner Racing Replica		50	1	2004-		0.6	BR9ES	5722		BR9EIX	3981
Runner RST 50		50	1	2005-		0.5	B9ES	2611	Q202	BR9EIX	3981
Runner SP		50	1	2000-		0.6	BR9ES	5722		BR9EIX	3981
SKP 50		50	1	1997-		0.5	BR9ES	5722		BR9EIX	3981
SMT 50		50	1	2005-		0.6	BR9ES	5722		BR9EIX	3981
SMT 50 2T		50	1	2013-		0.6	BR9ES	5722		BR9EIX	3981
SMT 50 4T		50	1	2006-		0.7	PMR7A	4259			
SS		50	1	-		0.5	B6HS	4510		BR6HIX	3419
SSV		50	1	-		0.5	B6HS	4510		BR6HIX	3419

*Bitte Elektrodenabstand nach Angaben des Herstellers justieren

*Please adjust the ground electrode gap

*Veuillez vérifier l'écartement

* Por favor, ajustar la distancia entre los electrodos

*Regolare il gap

** Iridium IX Spark Plug is the standard recommendation





Stock No.

Quick No.

Upgrade ↑

Stock No. ↑

GILERA

Stalker		50	1	1997-1999		0.6	B9ES	2611	Q202	BR9EIX	3981
Stalker 50		50	1	2000-		0.6	BR9ES	5722		BR9EIX	3981
Stalker 50		50	1	2003-		0.5	BR9ES	5722		BR9EIX	3981
Stalker DD		50	1	1997-		0.6	B9ES	2611	Q202	BR9EIX	3981
Storm 50		50	1	1994-1999		0.5	B9ES	2611	Q202	BR9EIX	3981
Storm 50		50	1	2000-		0.6	BR9ES	5722		BR9EIX	3981
Super RE		50	1	-		0.5	B6ES	7310			
Super RL		50	1	-		0.5	B6ES	7310			
Trend 50		50	1	-		0.6	B5HS	4210			
Trial		50	1	-		0.5	B7ES	1111		BR7EIX	6664
Typhoon 50		50	1	1993-		0.6	B9ES	2611	Q202	BR9EIX	3981
Typhoon 50 Martini Racing		50	1	1995-		0.6	B9ES	2611	Q202	BR9EIX	3981
Typhoon Benetton F1		50	1	1996-		0.6	B9ES	2611	Q202	BR9EIX	3981
Zulu Trail		50	1	2001-		0.6	B9ES	2611	Q202	BR9EIX	3981
Jubilee		90	1	-		0.5	B7ES	1111		BR7EIX	6664
Giubileo 4T		98	1	-		0.5	B8ES	2411	Q201	BR8EIX	5044
125 C1		125	1	-		0.5	BR10EIX**	6801			
125 C3		125	1	-		0.5	BR10EIX**	6801			
125 Cross Competition		125	1	-		0.5	BR10EIX**	6801			
125 E1		125	1	-		0.5	BR10EIX**	6801			
125 Endurance		125	1	-		0.5	B9ES	2611	Q202	BR9EIX	3981
125 Enduro		125	1	-		0.5	BR10EIX**	6801			
Apache	CX	125	1	-		0.6	B10EG	3630			
Arizona		125	1	-		0.5	B9EG	3530			
Coguar		125	1	-		0.9	DPR8EA-9	4929	Q221	DPR8EIX-9	2202
Crono		125	1	-		0.6	B10EG	3630			
DNA 125		125	1	2000-		0.7	CR8EB	7784			
E1 Competition		125	1	-		0.5	BR10EIX**	6801			
Freestyle 2T		125	1	-		0.6	B10EG	3630			
GFR 125	GFR	125	1	-		0.6	BR10EIX**	6801			
HX 125		125	1	-		0.5	BR10EIX**	6801			
Nexus 125		125	1	2007-2007		0.7	CR8EB	7784			
Nexus 125		125	1	2008-		0.7	CR8EKB	4374			
Runner	SP	125	1	1997-2000		0.5	B9EG	3530			
Runner	DD	125	1	1997-2000		0.5	B9EG	3530			
Runner 125		125	1	-		0.6	CR9E	6263	Q227	CR9EIX	3521
Runner FX125		125	1	1997-		0.6	BR9ES B9ES	5722 2611	Q202	BR9EIX	3981
Runner RST 125		125	1	2005-		0.7	CR8EB	7784			
Runner ST 125		125	1	2005-		0.7	CR8EB	7784			
Runner VX 125		125	1	2001-		0.7	CR9EB	6955			
Runner VX 125		125	1	2006-		0.7	CR8EB	7784			
SC 125 2T	SC	125	1	2006-		0.7	BR8ES	5422	Q207	BR8EIX	5044
SC 125 4T	SC	125	1	2007-	YAMAHA	0.7	BR8ES	5422	Q207	BR8EIX	5044
Typhoon 125		125	1	1995-		0.6	B9ES	2611	Q202	BR9EIX	3981
XRI 125		125	1	-		0.5	B9EG	3530			
Runner 150		150	1	1998-		0.6	BR9ES	5722		BR9EIX	3981
DANN 180 Leader	DANN-180	180	1	2000-		0.7	CR9EB	6955			
DNA 180		180	1	2000-		0.7	CR8EB	7784			
DNA 180		180	1	2001-		0.6	CR9EB	6955			
Runner FXR 180		180	1	1998-2001		0.6	BR9ES	5722		BR9EIX	3981
Runner VXR		180	1	2001-		0.6	CR9EB	6955			

* Bitte Elektrodenabstand nach Angaben des Herstellers justieren

* Please adjust the ground electrode gap

* Veuillez vérifier l'écartement

* Por favor, ajustar la distancia entre los electrodos

* Regolare il gap

* Iridium IX Spark Plug is the standard recommendation





Stock No.

Quick No.

Upgrade ↑

Stock No. ↑

GILERA

Runner 200 VXR		200	1	2002-2008		0.6	CR8EB	7784			
Runner ST 200		200	1	2008-		0.7	CPR8E	7411			
Runner ST 200		200	1	2008-		0.8	CR8EB	7784			
250 C3		250	1	-		0.5	BR10EIX**	6801			
250 KK		250	1	-		0.5	B9ES	2611	Q202	BR9EIX	3981
250 KZ		250	1	-		0.5	B9ES	2611	Q202	BR9EIX	3981
HX 250		250	1	-		0.5	BR10EIX**	6801			
Nexus 300 ie		250	1	2007-		0.7	PMR8B	6378			
Nexus 300 SP		250		2006-		0.6	CR8EB	7784			
NX 250 LC		250	1	-		0.5	BR10EIX**	6801			
Nexus 300		300	1	2009-		0.7	CR8EKB	4374			
Dakota 350		350	1	-		0.6	DPR8EA-9	4929	Q221	DPR8EIX-9	2202
Dakota 350		350	1	-		0.9	DP9EA-9	6629		DPR9EIX-9	5545
Dakota 350 ER		350	1	-		0.9	DP9EA-9	6629		DPR9EIX-9	5545
Fuoco 500		500	1	2007-		0.8	CR7EKB	4455			
Nexus 500		500	1	2004-	PIAGGIO	0.8	CR7EKB	4455			
RC 600		560	1	-		0.6	DPR8EA-9	4929	Q221	DPR8EIX-9	2202
600 FB Northwest		600	1	1992-		0.5	D8EA	2120	Q216	DR8EIX	6681
600 SS Supersport		600	1	2002-		0.7	CR9E	6263	Q227	CR9EIX	3521
RC 600		600	1	-1993		0.5	D8EA	2120	Q216	DR8EIX	6681
RC 600 C		600	1	1992-		0.5	D8EA	2120	Q216	DR8EIX	6681
GP 800		840	2	2007-		0.8	CR7EKB	4455			

HARLEY-DAVIDSON MC

Sportster 883		883	2	1995-2003		0.9	DPR7EA-9	5129	Q220	DPR7EIX-9	7803
Sportster 883 Iron		883	2	2009-		0.9	DCPR7EA-9	6651		DCPR7EIX	6046
Sportster 883 Low		883	2	2004-		0.9	DCPR7EA-9	6651		DCPR7EIX	6046
Sportster 883 R		883	2	2002-2003		0.9	DPR7EA-9	5129	Q220	DPR7EIX-9	7803
Sportster Custom 53		883	2	1998-2003		0.9	DPR7EA-9	5129	Q220	DPR7EIX-9	7803
Sportster Custom 53		883	2	2004-2005		0.9	DCPR7EA-9	6651		DCPR7EIX	6046
VRSC 1130 Night Rod		1130	2	2002-		0.9	DCPR8E	4339		DCPR8EIX	6546
VRSC 1130 Street Rod		1130	2	2002-		0.9	DCPR8E	4339		DCPR8EIX	6546
VRSC 1130 V-Rod		1130	2	2002-2009		1.0	DCPR8E	4339		DCPR8EIX	6546
VRSCA 1130 Night-Rod		1130	2	2006-		0.6	DCPR9E	2641		DCPR9EIX	2316
VRSCA 1130 V-Rod		1130	2	2002-		0.9	DPR9EA-9	5329	Q222	DPR9EIX-9	5545
VRSCDX 1130 Night Rod Special		1130	2	2007-		1.0	DCPR7E	3932		DCPR7EIX	6046
VRSCX 1130 V-Rod		1130	2	2007-		1.0	DCPR7E	3932		DCPR7EIX	6046
Sportster 1200 Custom		1200	2	2004-		1.0	DCPR8E	4179		DCPR8EIX	6546
Sportster 1200 Nightster		1200	2	2008-		1.0	DCPR8E	4339		DCPR8EIX	6546
XL 1200 C Sportster		1200	2	2007-		1.0	DCPR7E	3932		DCPR7EIX	6046
XL 1200 C Sportster Custom		1200	2	1996-		1.0	DCPR7E	3932		DCPR7EIX	6046
XL 1200 C Sportster Custom		1200	2	2007-		1.0	DCPR7E	3932		DCPR7EIX	6046
XL 1200 L Sportster		1200	2	2007-		1.0	DCPR7E	3932		DCPR7EIX	6046
XL 1200 L Sportster Low		1200	2	2007-		1.0	DCPR7E	3932		DCPR7EIX	6046
XL 1200 R Sportster		1200	2	2007-		1.0	DCPR7E	3932		DCPR7EIX	6046
XL 1200 S Sportster Sport		1200	2	1996-		1.0	DCPR7E	3932		DCPR7EIX	6046
XLH 1200 Sportster		1200	2	1992-1999		1.0	DCPR7E	3932		DCPR7EIX	6046
XR 1200		1200	2	2007-2008		1.0	DCPR7E	3932		DCPR7EIX	6046
XR 1200		1200	2	2008-		0.9	DCPR8E	4339		DCPR8EIX	6546
XR 1200		1200	2	2008-2009		1.0	DCPR8E	4339		DCPR8EIX	6546

*Bitte Elektrodenabstand nach Angaben des Herstellers justieren

*Please adjust the ground electrode gap

*Veuillez vérifier l'écartement

* Por favor, ajustar la distancia entre los electrodos

*Regolare il gap

** Iridium IX Spark Plug is the standard recommendation





Stock No.

Quick No.

Upgrade ↑

Stock No. ↑

HARLEY-DAVIDSON MC

XR 1200 X		1200	2	2010-		1.0	DCPR8E	4339		DCPR8EIX	6546
VRSC Screamin' Eagle V-Rod		1250	2	2004-		0.6	DCPR9E	2641		DCPR9EIX	2316
VRSC Night Rod Special		1250	2	2008-		1.0	DCPR8E	4339		DCPR8EIX	6546
VRSC V-Rod		1250	2	2008-		1.0	DCPR8E	4339		DCPR8EIX	6546
VRSC V-Rod 10th Anniversary		1250	2	2010-		1.0	DCPR8E	4339		DCPR8EIX	6546
VRSC V-Rod Muscle		1250	2	2010-		1.0	DCPR8E	4339		DCPR8EIX	6546
FKDWG Dyna Wide Glide		1340	2	-		0.8	BPR5ES	7422		BPR5EIX	6597
FLHR 1340 Electra Glide Road King		1340	2	1994-		0.8	BPR5ES	7422		BPR5EIX	6597
FLHR 1340 Electra Glide Road King Inj.		1340	2	1996-		1.1	BPR5ES-11	4424		BPR5EIX-11	2115
FLHRCi 1340 Road King Classic inj.		1340	2	1996-		1.1	BPR5ES-11	4424		BPR5EIX-11	2115
FLHRCi 1340 Road King Classic side car		1340	2	-		0.8	BPR5ES	7422		BPR5EIX	6597
FLHT 1340 Electra Glide Standard		1340	2	-		0.8	BPR5ES	7422		BPR5EIX	6597
FLHTCI 1340 Electra Glide Classic inj.		1340	2	1996-		1.1	BPR5ES-11	4424		BPR5EIX-11	2115
FLHTCU 1340 Electra Glide Ultra Classic		1340	2	-		0.8	BPR5ES	7422		BPR5EIX	6597
FLHTCUI 1340 Electra Glide Ultra Classic Inj.		1340	2	1996-		1.1	BPR5ES-11	4424		BPR5EIX-11	2115
FLSTF 1340 Fat Boy		1340	2	-		0.8	BPR5ES	7422		BPR5EIX	6597
FLSTS 1340 Heritage Softail Springer		1340	2	-		0.8	BPR5ES	7422		BPR5EIX	6597
FXD 1340 Dyna Super Glide		1340	2	-		0.8	BPR5ES	7422		BPR5EIX	6597
FXDL 1340 Dyna Low Rider		1340	2	-		0.8	BPR5ES	7422		BPR5EIX	6597
FXDS 'Conv Dyna Convertible		1340	2	-		0.8	BPR5ES	7422		BPR5EIX	6597
FXSTS 1340 Softail Springer		1340	2	-		0.8	BPR5ES	7422		BPR5EIX	6597
TXSTSB 1340 Bad Boy		1340	2	-		0.8	BPR5ES	7422		BPR5EIX	6597
FLHR 1450 Electra Glide Road King		1450	2	1999-2003		1.0	DCPR7E	3932		DCPR7EIX	6046
FLHRCi 1450 Road King Classic side car		1450	2	1999-2003		1.0	DCPR7E	3932		DCPR7EIX	6046
FLHRi 1450 Electra Glide Road King Classic Inj.		1450	2	1999-2003		1.0	DCPR7E	3932		DCPR7EIX	6046
FLHT 1450 Electra Glide Standard		1450	2	1999-2003		1.0	DCPR7E	3932		DCPR7EIX	6046
FLHTCUI 1450 Electra Glide Ultra Classic Inj.		1450	2	1999-2003		1.0	DCPR7E	3932		DCPR7EIX	6046
FLSTC 1450 Héritage Softail Classic		1450	2	1999-2003		1.0	DCPR7E	3932		DCPR7EIX	6046
FLSTCi 1450 Héritage Softail Classic inj.		1450	2	1999-2003		1.0	DCPR7E	3932		DCPR7EIX	6046
FLSTS 1450 Fat Boy		1450	2	1999-2003		1.0	DCPR7E	3932		DCPR7EIX	6046
FLSTSi 1450 Fat Boy inj.		1450	2	1999-2003		1.0	DCPR7E	3932		DCPR7EIX	6046
FL TC 88		1450	2	1998-2007		0.8	DCPR7E	3932		DCPR7EIX	6046
FXD 1450 Dyna Super Glide		1450	2	1999-2003		1.0	DCPR7E	3932		DCPR7EIX	6046
FXDL 1450 Dyna Low Rider		1450	2	1999-2003		1.0	DCPR7E	3932		DCPR7EIX	6046
FXDWG 1450 Dyna Wide Glide		1450	2	1999-2003		1.0	DCPR7E	3932		DCPR7EIX	6046
FXDX 1450 Dyna Super Glide Sport		1450	2	1999-2003		1.0	DCPR7E	3932		DCPR7EIX	6046
FXDXT 1450 Dyna Super Glide Touring Sport		1450	2	1999-2003		1.0	DCPR7E	3932		DCPR7EIX	6046

* Bitte Elektrodenabstand nach Angaben des Herstellers justieren

* Please adjust the ground electrode gap

* Veuillez vérifier l'écartement

* Por favor, ajustar la distancia entre los electrodos

* Regolare il gap

* Iridium IX Spark Plug is the standard recommendation





Stock No.

Quick No.

Upgrade ↑

Stock No. ↑

HARLEY-DAVIDSON MC

FXST 1450 Softail		1450	2	1999-2003		1.0	DCPR7E	3932		DCPR7EIX	6046
FXSTB 1450 Night Train		1450	2	1999-2003		1.0	DCPR7E	3932		DCPR7EIX	6046
FXSTD 1450 Softail Deuce		1450	2	1999-2003		1.0	DCPR7E	3932		DCPR7EIX	6046
FXSTDi 1450 Softail Deuce inj.		1450	2	1999-2003		1.0	DCPR7E	3932		DCPR7EIX	6046
FXSTS 1450 Softail Springer		1450	2	1999-2003		1.0	DCPR7E	3932		DCPR7EIX	6046
FX TC 88		1450	2	1998-2007		0.8	DCPR7E	3932		DCPR7EIX	6046
Blackline		1584	2	2011-		0.9	DCPR8E	4339		DCPR8EIX	6546
CVO Fat Bob		1584	2	2009-		0.9	DCPR8E	4339		DCPR8EIX	6546
Dyna Wide Glide		1584	2	2009-		0.8	DCPR8E	4339		DCPR8EIX	6546
FLHR 1584 Road King		1584	2	2007-		1.0	DCPR7E	3932		DCPR7EIX	6046
FLHRC 1584 Road King Classic		1584	2	2007-		1.0	DCPR7E	3932		DCPR7EIX	6046
FLHRS 1584 Road King Custom		1584	2	2007-		1.0	DCPR7E	3932		DCPR7EIX	6046
FLHT 1584 Electra Glide Standard		1584	2	2007-		1.0	DCPR7E	3932		DCPR7EIX	6046
FLHTCU 1584 Ultra Classic Electra Glide		1584	2	2007-		1.0	DCPR7E	3932		DCPR7EIX	6046
FLHX 1584 Street Glide		1584	2	2007-		1.0	DCPR7E	3932		DCPR7EIX	6046
FLSTC 1584 Heritage Softail		1584	2	2007-		1.0	DCPR7E	3932		DCPR7EIX	6046
FLSTF 1584 Fat Boy		1584	2	2007-		1.0	DCPR7E	3932		DCPR7EIX	6046
FLSTN 1584 Softail Deluxe		1584	2	2007-		1.0	DCPR7E	3932		DCPR7EIX	6046
FLSTSB 1584 Cross Bones		1584	2	2007-		0.9	DCPR8E	4339		DCPR8EIX	6546
FLSTSC 1584 Softail Springer Classic		1584	2	2007-		1.0	DCPR7E	3932		DCPR7EIX	6046
FXDB 1584 Dyna Street		1584	2	2007-		1.0	DCPR7E	3932		DCPR7EIX	6046
FXDC 1584 Dyna Super Glide Custom		1584	2	2007-		1.0	DCPR7E	3932		DCPR7EIX	6046
FXDL 1584 Dyna Low Rider		1584	2	2007-		1.0	DCPR7E	3932		DCPR7EIX	6046
FXDWG 1584 Dyna Wide Glide		1584	2	2007-		1.0	DCPR7E	3932		DCPR7EIX	6046
FXSTB 1584 Night Train		1584	2	2007-		1.0	DCPR7E	3932		DCPR7EIX	6046
FXSTC 1584 Softail Custom		1584	2	2007-		1.0	DCPR7E	3932		DCPR7EIX	6046
Softail Rocker ©		1584	2	2008-		0.9	DCPR8E	4339		DCPR8EIX	6546
Twin Cam 96B Models		1584		2009-		0.9	DCPR8E	4339		DCPR8EIX	6546
1586 'Dyna Fat Bob		1586	2	2008-		1.0	DCPR8E	4339		DCPR8EIX	6546
1586 'Dyna Street Bob		1586	2	2007-2010		1.0	DCPR8E	4339		DCPR8EIX	6546
1586 'Softail Custom		1586	2	2008-		1.0	DCPR8E	4339		DCPR8EIX	6546
1586 'Softail Deluxe		1586	2	2007-2010		1.0	DCPR8E	4339		DCPR8EIX	6546
1586 'Softail Deuce		1586	2	2007-2007		1.0	DCPR8E	4339		DCPR8EIX	6546
1586 'Softail Fatboy		1586	2	2007-2010		1.0	DCPR8E	4339		DCPR8EIX	6546
1586 'Softail Heritage Classic		1586	2	2007-2010		1.0	DCPR8E	4339		DCPR8EIX	6546
1586 Softail Springer Classic		1586	2	2007-2007		1.0	DCPR8E	4339		DCPR8EIX	6546
1586 Softail Standard		1586	2	2007-2007		1.0	DCPR8E	4339		DCPR8EIX	6546
1586 Touring Road Glide		1586	2	2007-2010		1.0	DCPR8E	4339		DCPR8EIX	6546
1586 Touring Road King		1586	2	2007-2010		1.0	DCPR8E	4339		DCPR8EIX	6546
1586 Touring Street Glide		1586	2	2007-2010		1.0	DCPR8E	4339		DCPR8EIX	6546
1586 Touring Ultra Classic E-Glide		1586	2	2007-2010		1.0	DCPR8E	4339		DCPR8EIX	6546

* Bitte Elektrodenabstand nach Angaben des Herstellers justieren

* Please adjust the ground electrode gap

* Veuillez vérifier l'écartement

* Por favor, ajustar la distancia entre los electrodos

* Regolare il gap

** Iridium IX Spark Plug is the standard recommendation





Stock No.

Quick No.

Upgrade ↑

Stock No. ↑

HARLEY-DAVIDSON MC

FLHT 1586 Electra Glide Standard		1586	2	2007-2010		1.0	DCPR8E	4339		DCPR8EIX	6546
FLSTSB 1586 Cross Bones		1586	2	2008-		1.0	DCPR8E	4339		DCPR8EIX	6546
FXDC 1586 Dyna Super Glide Custom		1586	2	2007-2010		1.0	DCPR8E	4339		DCPR8EIX	6546
FXDL 1586 Dyna Low Rider		1586	2	2007-2009		1.0	DCPR8E	4339		DCPR8EIX	6546
FXDWG 1586 Dyna Wide Glide		1586	2	2007-2010		1.0	DCPR8E	4339		DCPR8EIX	6546
FXSTB 1586 Night Train		1586	2	2007-2009		1.0	DCPR8E	4339		DCPR8EIX	6546
1690 E-Glide Ultra Limited		1690	2	2010-		1.0	DCPR8E	4339		DCPR8EIX	6546
1800 CVO		1800	2	2009-		1.0	DCPR8E	4339		DCPR8EIX	6546
1800 CVO-LTRSE		1800	2	2009-		1.0	DCPR8E	4339		DCPR8EIX	6546
1800 Fat Bob		1800	2	2009-		1.0	DCPR8E	4339		DCPR8EIX	6546
1800 Street Bob		1800	2	2009-		1.0	DCPR8E	4339		DCPR8EIX	6546

HERALD MOTOR COMPANY

Vagabond 250 custom			1	-		*	DR8EA	7162		DR8EIX	6681
Classic 125		125	1	2012-		*	CR7E	4578	Q225	CR7EIX	7385
Classic 250		250	1	2012-		*	DR8EA	7162		DR8EIX	6681
Nomad custom		250	1	2016-		*	DR8EA	7162		DR8EIX	6681
Rambler custom		250	1	2016-		*	DR8EA	7162		DR8EIX	6681
Roamer custom		250	1	2016-		*	DR8EA	7162		DR8EIX	6681

HERCULES

BT 50		50	1	2005-	BAOTIAN	0.7	C7HSA	4629		CR7HIX	7544
Jogging		50	1	-		0.5	B6HS	4510		BR6HIX	3419
Lastboy		50	1	-		0.5	B7HS	5110		BR7HIX	7067
Optima 50		50	1	-		0.5	BR8HS	4915	Q212	BR8HIX	7001
Prima 4		50	1	-		0.5	B6HS	4510		BR6HIX	3419
Prima 4LN		50	1	-		0.5	B6HS	4510		BR6HIX	3419
Prima 5		50	1	-		0.5	B6HS	4510		BR6HIX	3419
Prima 5LN		50	1	-		0.5	B6HS	4510		BR6HIX	3419
Prima 6		50	1	-		0.5	B6HS	4510		BR6HIX	3419
Prima G3		50	1	-		0.5	B6HS	4510		BR6HIX	3419
Prima GT		50	1	-		0.5	B6HS	4510		BR6HIX	3419
Prima GX		50	1	-		0.5	B6HS	4510		BR6HIX	3419
Prima Presto		50	1	-		0.5	B6HS	4510		BR6HIX	3419
Prima Pronto		50	1	-		0.5	B6HS	4510		BR6HIX	3419
Prima S		50	1	-		0.5	B6HS	4510		BR6HIX	3419
Prima SL		50	1	-		0.5	B6HS	4510		BR6HIX	3419
Prima SX		50	1	-		0.5	B6HS	4510		BR6HIX	3419
TB 50 Race		50	1	2005-		0.6	BPR7HS	6422		BPR7HIX	5944
K 100 X		100	1	-		0.5	B8HS	5510		BR8HIX	7001
175 GS		175	1	-		0.5	B9ES	2611	Q202	BR9EIX	3981
250 GS		250	1	-		0.5	B9ES	2611	Q202	BR9EIX	3981

HERO

Blinker		50		1994-		0.5	BP5ES	6511		BPR5EIX	6597
Stark		50		1994-		0.5	BP5ES	6511		BPR5EIX	6597
Turbo Sport		50		1994-		0.5	BP5ES	6511		BPR5EIX	6597

HIGHLAND

450 MX		450	1	2007-		0.6	CR8E	4854	Q226	CR8EIX	4218
Outback		450	1	2003-		0.6	CR8E	4854	Q226	CR8EIX	4218

* Bitte Elektrodenabstand nach Angaben des Herstellers justieren

* Please adjust the ground electrode gap

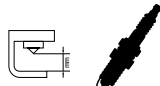
* Veuillez vérifier l'écartement

* Por favor, ajustar la distancia entre los electrodos

* Regolare il gap

* Iridium IX Spark Plug is the standard recommendation





Stock No.

Quick No.

Upgrade ↑

Stock No. ↑

HIGHLAND

Allroad		950	2	2004-		0.6	CR8E	4854	Q226	CR8EIX	4218
Desert Strom		950	2	2006-		0.6	CR8E	4854	Q226	CR8EIX	4218
Dirt Trac		950	2	2007-		0.6	CR8E	4854	Q226	CR8EIX	4218
Super Motard		950	1	2007-		0.6	CR8E	4854	Q226	CR8EIX	4218

HMRacing

Baja SX		50	1	1998-		0.5	B8ES	2411	Q201	BR8EIX	5044
CRX Junior		50	1	2001-		0.5	B8HS	5510		BR8HIX	7001
CRX Racing Junior		50	1	2001-		0.5	B8HS	5510		BR8HIX	7001
CRX Racing Senior		50	1	2001-		0.5	B8HS	5510		BR8HIX	7001
CRX Senior		50	1	2001-		0.5	B8HS	5510		BR8HIX	7001
Derapage		50	1	1998-		0.5	B8ES	2411	Q201	BR8EIX	5044
MX Junior		50	1	2001-		0.5	B8HS	5510		BR8HIX	7001
MX Senior		50	1	2001-		0.5	B8HS	5510		BR8HIX	7001
Six		50	1	1998-		0.5	B8ES	2411	Q201	BR8EIX	5044

HMZ

Cab SB50		50	1	1996-		0.6	BP6HS	4511		BPR6HIX	4085
Cruise 125		125	1	1996-		0.6	D8EA	2120	Q216	DR8EIX	6681

HONDA

CB 50 V Dream	CB	50	1	1998-		0.9	CR8EH-9	5666	Q228	CR8EHIX-9	3797
CRF 50 F	CRF	50	1	2004-		0.7	CR6HSA	2983		CR6HIX	7274
CRF 50 F	AE03	50	1	2007-		0.7	CR6HSA	2983		CR6HIX	7274
DIO 50		50	1	2004-		0.7	ER8EH-N	5606		ER8EHIX	8201
NH 50 M	AF01	50	1	1993-		0.7	BPR6HS	7022		BPR6HIX	4085
NSC 50 R	AF72C	50	1	2013-		0.9	CR7HSA-9	5147			
NSC 50 Vision		50	1	2012-		0.9	CR7HSA-9	5147			
PK 50 SM Wallaroo	AB25	50	1	1995-1997		0.7	BR6HSA	4461	Q210		
SA 50	AF29	50	1	1992-1995		0.7	BR6HSA	4461	Q210		
SFX 50	AF37A	50	1	1995-		0.6	BR6HSA	4461	Q210		
SFX 50	AF37	50	1	1996-2000		0.6	BR6HSA	4461	Q210		
SGX 50 Sky	AF43G	50	1	1997-		0.6	BR6HSA	4461	Q210		
SH 50	AF40A	50	1	1997-		0.7	BR6HSA	4461	Q210		
SH 50 Bali	AF40A	50	1	1996-2003	Constr.Code T/W/X/Y	0.6	BR6HSA	4461	Q210		
SH 50 New	AF40A	50	1	1997-		0.6	BPR6HS	7022		BPR6HIX	4085
SH 50 P Scoopy	AF40A	50	1	1993-1995		0.7	BPR6HSA	4632		BPR6HIX	4085
SH 50 R Scoopy	AF40A	50	1	1993-1995		0.7	BPR6HS	7022		BPR6HIX	4085
SH 50 Scoopy	AF40A	50	1	1996-2000		0.7	BR6HSA	4461	Q210		
SH 50 T Scoopy	AF40A	50	1	1996-		0.7	BR6HSA	4461	Q210		
SJ 50 Bali	AF323/VAF323E	50	1	1995-		0.6	BR6HSA	4461	Q210		
Sky 50 DX		50	1	1996-		0.6	BR6HSA	4461	Q210		
SRX 50	AF42 A/AF42 B	50	1	1997-1999		0.7	BR6HSA	4461	Q210		
SRX 50 Shadow	AF42 A/AF42 B	50	1	1997-		0.6	BR6HSA	4461	Q210		
SRX 50 T Joker		50	1	1997-1999		0.5	BR6HSA	4461	Q210		
SXR 50	AF37H	50	1	1998-	Constr.Code W	0.6	BR6HSA	4461	Q210		
SXR 50	AF37H	50	1	1999-2000	Constr.Code X	0.6	BR6HSA	4461	Q210		
SZ 50 X8R-S	AF49G/AF49H	50	1	1998-		0.6	BR6HSA	4461	Q210		
SZ 50 X8R-X	AF49G/AF49H	50	1	1998-		0.6	BR6HSA	4461	Q210		
TLM 50		50	1	-	Constr.Code E	0.7	B8ES	2411	Q201	BR8EIX	5044
X8R-S	AF49G	50	1	1998-		0.6	BR6HSA	4461	Q210		
X8R-X	AF49H	50	1	1998-		0.6	BR6HSA	4461	Q210		
XR 50		50	1	1993-2002		0.7	CR6HSA	2983		CR6HIX	7274

*Bitte Elektrodenabstand nach Angaben des Herstellers justieren

*Please adjust the ground electrode gap

*Veuillez vérifier l'écartement

* Por favor, ajustar la distancia entre los electrodos

*Regolare il gap

** Iridium IX Spark Plug is the standard recommendation





Stock No.

Quick No.

Upgrade ↑

Stock No. ↑

HONDA

XR 50 Motard		50	1	2005-	Constr.Code E	0.9	CR6HSA	2983		CR6HIX	7274
XR 50 R	AE03	50	1	2003-2004		0.7	CR6HSA	2983		CR6HIX	7274
Zoomer		50	1	2005-		0.7	ER8EH-N	5606		ER8EHIX	8201
CRF 70 F	DE02	70	1	2005-		0.7	CR6HSA	2983		CR6HIX	7274
XR 70 R	DE02	70	1	1997-2000		0.7	CR6HSA	2983		CR6HIX	7274
XR 70 V		70	1	-	Constr.Code E	0.6	CR6HSA	2983		CR6HIX	7274
NS-1	DC03	75	1	1996-1996		0.7	BR8ECS	3972		BR8EIX	5044
CR 80 R	HE04	80	1	1996-2002		0.6	BR10EG	3830			
NH 80 MS		80	1	1992-	Constr.Code N / P / R	0.7	BPR6HS	7022		BPR6HIX	4085
NSR 80	HC06	80	1	1993-1995		0.8	BR8ES	5422	Q207	BR8EIX	5044
XR 80 R		80	1	-	Constr.Code J	0.7	CR7HS	7223		CR7HIX	7544
XR 80 R	HE01	80	1	1992-1995		0.7	CR7HSA	4549		CR7HIX	7544
CR 85 R	HE07	85	1	2003-2008		0.6	BR10EG	3830			
CR 85 R2		85	1	2003-2006		0.5	BR10EG	3830			
CR 85 RB	HE07	85	1	2005-2008		0.6	BR10EG	3830			
C 90 MT		90	1	1996-2003		0.6	CR6HSA	2983		CR6HIX	7274
EZ 90	HE06	90	1	1993-1993		0.7	BR7HS	4737		BR7HIX	7067
NH 90 M Lead	HF05	90	1	1993-1993		0.7	BPR6HSA	4632		BPR6HIX	4085
SRX 90 Shadow	JH2	90	1	1998-	Constr.Code W/X	0.7	BR6HSA	4461	Q210		
SXR 90 Joker		90	1	2001-		0.6	BR6HSA	4461	Q210		
CRF 100 F	HE03	100	1	2005-		0.7	CR7HSA	4549		CR7HIX	7544
CRF 100 F		100	1	2008-		0.7	CR7HSA	4549		CR7HIX	7544
Lead 100		100	1	2008-		0.9	CR8EH-9	5666	Q228	CR8EHIX-9	3797
SCV 100 Lead		100	1	2003-		0.7	CR6HSA	2983		CR6HIX	7274
SCV 100 Lead		100	1	2008-		0.9	CR8EH-9	5666	Q228	CR8EHIX-9	3797
SH 100 EX Baly		100	1	1996-	Constr.Code T>Y	0.7	BR6HSA	4461	Q210		
SH 100 T		100	1	1996-		0.6	BR6HSA	4461	Q210		
SH 100 T - Scoopy		100	1	1996-		0.7	BR6HSA	4461	Q210		
SJ 100 Bali		100	1	1996-		0.6	BR6HSA	4461	Q210		
XR 100 Motard		100	1	2005-		0.9	CR7HSA	4549		CR7HIX	7544
XR 100 R	HE03	100	1	1996-2003	Constr.Code M>Y	0.7	CR7HSA	4549		CR7HIX	7544
NHX 110 Lead (Fi)	JF19A	108	1	2008-		0.9	CR8EH-9	5666	Q228	CR8EHIX-9	3797
NSC 110 Vision	JF19A	108	1	2011-		0.9	CPR8EA-9	2306		CPR8EAIX-9	96067
AFS Wave 110i		110	1	2012-2016		0.9	CPR6EA-9S	1582		CPR6EAIX-9S	93921
CRF 110		110	1	2013-		0.9	CPR6EA-9S	1582		CPR6EAIX-9S	93921
CRF 110 F		110	1	-		0.9	CPR6EA-9S	1582		CPR6EAIX-9S	93921
CRF 110 F	JE02A	110	1	2012-		0.9	CPR6EA-9S	1582		CPR6EAIX-9S	93921
NHX 110 WH		110	1	2008-		0.9	CR7EH-9	3486			
NSC 110 Vision		110	1	2011-		0.9	CPR8EA-9	2306		CPR8EAIX-9	96067
SCR 110		110	1	2013-		0.9	CPR8EA-9	2306		CPR8EAIX-9	96067
Spacy scooter		110	1	2012-2014	Water fluid	0.9	MR8C-9N	97985			
ANF 125i Innova		125	1	2007-		0.9	CPR6EA-9	6899		CPR6EAIX-9S	93921
ANF 125 Innova	JC37	125	1	2007-		0.9	CPR6EA-9	6899		CPR6EAIX-9S	93921
CA 125 Rebel	JC24	125	1	1995-1996	Constr.Code S>Y	0.7	CR6HSA	2983		CR6HIX	7274
CA 125 Rebel	JC26	125	1	1997-2000		0.7	CR6HSA	2983		CR6HIX	7274
CB 125 F		125	1	2015-		0.9	CPR7EA-9	3901		CPR7EAIX-9	9198
CB 125 R		125	1	2018-	13hp	0.9	CPR7EA-9	3901		CPR7EAIX-9	9198
CBF 125 M	JC40	125	1	2009-		0.9	CPR7EA-9	3901		CPR7EAIX-9	9198
CBR 125 R	JC34	125	1	2004-2006		0.7	CR9E	6263	Q227	CR9EIX	3521

*Bitte Elektrodenabstand nach Angaben des Herstellers justieren

*Please adjust the ground electrode gap

*Veuillez vérifier l'écartement

* Por favor, ajustar la distancia entre los electrodos

*Regolare il gap

* Iridium IX Spark Plug is the standard recommendation





Stock No.

Quick No.

Upgrade ↑

Stock No. ↑

HONDA

CBR 125 R	JC39	125	1	2007-2010		0.7	CR8E	4854	Q226	CR8EIX	4218
CBR 125 RR		125	1	2003-		0.6	CR8E	4854	Q226	CR8EIX	4218
CBR 125 RW		125	1	2011-	Constr.Code B>F	0.6	CR8E	4854	Q226	CR8EIX	4218
CC 125		125	1	-		0.7	D8EA	2120	Q216	DR8EIX	6681
CG 125		125	1	1992-1999	Constr.Code N>X	0.9	DPR8EA-9	4929	Q221	DPR8EIX-9	2202
CG 125	JC27	125	1	1998-1999	Italy	0.9	DPR8EA-9	4929	Q221	DPR8EIX-9	2202
CH 125 IT Spacy	JF03	125	1	1996-1999	Italy	0.9	DPR7EA-9	5129	Q220	DPR7EIX-9	7803
CH 125 P		125	1	-1993		0.9	DPR7EA-9	5129	Q220	DPR7EIX-9	7803
CH 125 Spacy		125	1	1992-	Constr.Code N/P/R/T	0.9	DPR7EA-9	5129	Q220	DPR7EIX-9	7803
CH 125 Spacy	JS03	125	1	1997-		0.9	DPR7EA-9	5129	Q220	DPR7EIX-9	7803
CLR 125 CityFly		125	1	1998-	Constr.Code X/Y	0.9	DPR8EA-9	4929	Q221	DPR8EIX-9	2202
CLR 125 Cityfly	JD18	125	1	1998-2000		0.9	DPR8EA-9	4929	Q221	DPR8EIX-9	2202
CM 125 C Custom		125	2	1992-	Constr.Code N/P/R	0.7	CR7HSA	4549		CR7HIX	7544
CR 125 R		125	1	2001-	Constr.Code ED	0.6	BR9EG	3230			
CR 125 R		125	1	2005-		0.6	BR9EG	3230			
CR 125 R Cadre Alu		125	1	1997-	Constr.Code W/X/Y/1	0.6	BR9EG	3230			
CRF 125 F		125	1	2014-		0.6	CPR6EA-9	6899		CPR6EAX-9S	93921
Dylan 125		125	1	2002-		0.9	CR8EH-9	5666	Q228	CR8EHIX-9	3797
FES 125 Pantheon 2T	JF05	125	1	1998-	Constr.Code W/X/Y/1	0.7	BR8ES	5422	Q207	BR8EIX	5044
FES 125 Pantheon 4T	JF12A	125	1	2003-		0.9	CR8EH-9	5666	Q228	CR8EHIX-9	3797
FES 125 Silver Wing	JF12A	125	1	2007-		0.9	CR8EH-9	5666	Q228	CR8EHIX-9	3797
FES 125 Silver Wing ABS	JF12B	125	1	2011-	Constr.Code AB>F	0.9	CR8EH-9	5666	Q228	CR8EHIX-9	3797
MSX 125	JC61	125	1	2013-		0.9	CPR6EA-9	6899		CPR6EAX-9S	93921
NES @125	JF07A	125	1	2000-		0.9	CR8EH-9	5666	Q228	CR8EHIX-9	3797
NES 125 ES	JF07B	125	1	2001-		0.9	CR8EH-9	5666	Q228	CR8EHIX-9	3797
NES 125 Y	JF07B	125	1	2001-		0.9	CR8EH-9	5666	Q228	CR8EHIX-9	3797
NSR 125 F	JC20	125	1	1997-2003		0.8	BR9ECS	3570		BR9ECSIX	5438
NSR 125 R	JC22	125	1	1997-2003		0.8	BR9ECS	3570		BR9ECSIX	5438
NSS Forza 125 AD ABS	JB 60 B	125	1	2015-2016	Constr.Code F 15hp	0.9	SILMAR8C9	90097			
NSS Forza 125 AD ABS	JB 60 A	125	1	2017-	Constr.Code H 15hp	0.9	SILMAR8C9	90097			
PCX 125		125	1	2010-2011		0.9	CPR7EA-9	3901		CPR7EAX-9	9198
PCX 125 Auto.		125	1	2012-		0.9	MR8C-9N	97985			
PS 125 i		125	1	2006-	13hp	0.9	CR8EH-9	5666	Q228	CR8EHIX-9	3797
PS 150 i		125	1	2006-	15hp	0.9	CR8EH-9	5666	Q228	CR8EHIX-9	3797
RS 125 R		125	1	2001-		0.6	R7376-10	4457			
SES 125 Dylan		125	1	2002-		0.9	CR8EH-9	5666	Q228	CR8EHIX-9	3797
SH 125	JF23B	125	1	2011-	Constr.Code B-F	0.9	CR8EH-9	5666	Q228	CR8EHIX-9	3797
SH 125		125	1	2017-	12hp	0.9	MR7G-9E	90312			
SH 125 i		125	1	2005-2012	13hp	0.9	CR8EH-9	5666	Q228	CR8EHIX-9	3797
SH 125 i	JF23A	125	1	2013-		0.9	CPR7EA-9	3901		CPR7EAX-9	9198
SH 125 i Special		125	1	2005-2012		0.9	CR8EH-9	5666	Q228	CR8EHIX-9	3797
SH 125 i Sport		125	1	2005-2012		0.9	CR8EH-9	5666	Q228	CR8EHIX-9	3797
SH 125 Mode	JF51A	125	1	2014-		0.9	CPR7EA-9	3901		CPR7EAX-9	9198
SH 125 Scoopy		125	1	2001-		0.9	CR8EH-9	5666	Q228	CR8EHIX-9	3797
S-Wing 125		125	1	2007-		0.9	CR8EH-9	5666	Q228	CR8EHIX-9	3797
VT 125 C Shadow	JC29	125	1	1999-2000		0.9	CR8EH-9	5666	Q228	CR8EHIX-9	3797
VT 125 C Shadow	JC31	125	1	2001-2008		0.9	CR8EH-9	5666	Q228	CR8EHIX-9	3797
XL 125 VB-3E Varadéro De Luxe		125	2	2011-		0.9	CR8EH-9	5666	Q228	CR8EHIX-9	3797
XL 125 VB-EU Varadéro 125		125	2	2011-		0.9	CR8EH-9	5666	Q228	CR8EHIX-9	3797

*Bitte Elektrodenabstand nach Angaben des Herstellers justieren

*Please adjust the ground electrode gap

*Veuillez vérifier l'écartement

* Por favor, ajustar la distancia entre los electrodos

*Regolare il gap

** Iridium IX Spark Plug is the standard recommendation





Stock No.

Quick No.

Upgrade ↑

Stock No. ↑

HONDA

XL 125 V Varadero	JC32	125	2	2001-2007		0.9	CR8EH-9	5666	Q228	CR8EHIX-9	3797
XL 125 V Varadero	JC32	125	2	2008-		0.9	CR8EH-9	5666	Q228	CR8EHIX-9	3797
XLR 125		125	1	-1997		0.7	DR8ES-L	2923	Q218	DR9EIX	4772
XLR 125 R		125	1	1997-1999	Constr.Code W/X	0.9	DPR8EA-9	4929	Q221	DPR8EIX-9	2202
XLR 125 R	JD16	125	1	1998-1999		0.9	DPR8EA-9	4929	Q221	DPR8EIX-9	2202
XLV 125 Varadero		125	2	2001-		0.9	CR8EH-9	5666	Q228	CR8EHIX-9	3797
XR 125 L	JD19	125	1	2003-2006		0.9	DPR8EA-9	4929	Q221	DPR8EIX-9	2202
CBF 150		150	1	2014-		0.9	CPR8EA-9	2306		CPR8EAIX-9	96067
CRF 150 F		150	1	2006-		0.9	CPR8EA-9	2306		CPR8EAIX-9	96067
CRF 150 R		150	1	2006-		0.9	CPR8EA-9	2306		CPR8EAIX-9	96067
CRF 150 R		150	1	2007-		0.9	CR8EH-9	5666	Q228	CR8EHIX-9	3797
CRF 150 R2		150	1	2007-		0.9	CR8EH-9	5666	Q228	CR8EHIX-9	3797
CRF 150 RB	KE03	150	1	2008-2010		0.9	CR8EH-9	5666	Q228	CR8EHIX-9	3797
Dylan 150		150	1	2002-		0.9	CR8EH-9	5666	Q228	CR8EHIX-9	3797
FES 150 Pantheon	KF06A	150	1	2005-2011		0.9	CR8EH-9	5666	Q228	CR8EHIX-9	3797
SH 150		150	1	2017-	15hp	0.6	MR7G-9E	90312			
SH 150i		150	1	2006-		0.9	CR8EH-9	5666	Q228	CR8EHIX-9	3797
SH 150i Spezial		150	1	2006-		0.9	CR8EH-9	5666	Q228	CR8EHIX-9	3797
SH 150i Sport		150	1	2006-		0.9	CR8EH-9	5666	Q228	CR8EHIX-9	3797
S-Wing 150		150	1	2007-		0.9	CR8EH-9	5666	Q228	CR8EHIX-9	3797
S-Wing 150 ABS		150	1	2007-		0.9	CR8EH-9	5666	Q228	CR8EHIX-9	3797
XR 200 R	ME040	200	1	-	Constr.Code C	0.7	DR8ES-L	2923	Q218	DR9EIX	4772
CRF 230 F		230	1	2008-		0.8	DPR8EA-9	4929	Q221	DPR8EIX-9	2202
CB 250		250	1	1994-		0.7	CR6HSA	2983		CR6HIX	7274
CB 250	MC26	250	2	1996-1998		0.7	CR6HSA	2983		CR6HIX	7274
CB 250 Nighthawk	MC24	250	1	1992-2001		0.7	CR6HSA	2983		CR6HIX	7274
CBF 250	MC35A	250	1	2004-2006		0.9	CR8EH-9S	7750			
CBF 250		250	1	2006-		0.9	CR8EH-9	5666	Q228	CR8EHIX-9	3797
CBR 250 R		250	1	2011-		0.9	SIMR8A9	91064			
CBR 250 RB		250	1	2011-		0.9	SIMR8A9	91064			
CBX 250 Twister		250	1	2000-2002		0.9	CR8EH-9S	7750			
CH 250 Spacy	JF03	250	1	1996-1996		0.9	DPR7EA-9	5129	Q220	DPR7EIX-9	7803
CMX 250 C Rebel	MC13	250	2	1996-1996		0.7	CR6HSA	2983		CR6HIX	7274
CMX 250 C Rebel	MC32	250	2	1997-1999		0.7	CR6HSA	2983		CR6HIX	7274
CN 250 Fusion		250	1	-		0.9	DPR8EA-9	4929	Q221	DPR8EIX-9	2202
Cota 4RT (Montesa)	MT04	250	1	2009-		0.9	CR6EH-9	2688			
CR 250 R	CR	250	1	2001-	Constr.Code ED	0.6	BR8EG	3130			
CR 250 R	CR	250	1	2005-		0.6	BR9EG	3230			
CR 250 RK5	CR	250	1	2005-		0.8	BR9EG-N8	2689			
CRF 250 L		250	1	2012-		0.9	SIMR8A9	91064			
CRF 250 M		250	1	2013-		0.9	SIMR8A9	91064			
CRF 250 R	ME10	250	1	2004-2004		0.9	IMR9C-9H	6777			
CRF 250 R	ME10	250	1	2005-2008		0.7	R0409B-8	7791			
CRF 250 R	ME10	250	1	2009-2009		0.7	R0451B-8	9356			
CRF 250 R		250	1	2010-2010		0.7	R0451B-8	9356			
CRF 250 X	ME11	250	1	2004-2006		0.9	IMR9C-9H	6777			
CRF 250 X	ME11	250	1	2007-		0.7	R0409B-8	7791			
FES 250 Foresight	MF04	250	1	1997-	Constr.Code W/X/Y	0.9	DPR7EA-9	5129	Q220	DPR7EIX-9	7803
FES 250 Foresight		250	1	1998-	Italy	0.9	DPR7EA-9	5129	Q220	DPR7EIX-9	7803
NSR 250	MC28	250	2	1993-1996		0.6	BR9ECM	3252		BR9ECMIX	2707
NSS 250 Forza		250	1	2005-2007		0.9	DPR7EA-9	5129	Q220	DPR7EIX-9	7803
NSS 250 Forza ABS		250	1	2008-		0.9	LMAR8A-9	4313			

*Bitte Elektrodenabstand nach Angaben des Herstellers justieren

*Please adjust the ground electrode gap

*Veuillez vérifier l'écartement

* Por favor, ajustar la distancia entre los electrodos

*Regolare il gap

* Iridium IX Spark Plug is the standard recommendation





Stock No.

Quick No.

Upgrade ↑

Stock No. ↑

HONDA

NSS 250 Jazz		250	1	2002-		0.9	DPR7EA-9	5129	Q220	DPR7EIX-9	7803
NSS Forza EX		250	1	2009-		0.9	LMAR8A-9	4313			
NSS Forza X		250	1	2009-		0.9	LMAR8A-9	4313			
NX 250 II		250	1	1993-1997	Constr.Code P>V	0.9	CR9EH-9	7502	Q229	CR9EHIX-9	6216
RS 250 R		250	2	2001-		0.6	R7282-105	4985			
XR 250 L	XR250	250	1	1992-1995		0.7	DPR8Z	4730			
XR 250 R	ME080	250	1	1996-	Constr.Code T>Y	0.9	CR9EH-9	7502	Q229	CR9EHIX-9	6216
CRF 260 L		260	1	2013-2015	Constr.Code D/E/F	0.9	SIMR8A9	91064			
CRF 260 M		260	1	2013-2015	Constr.Code E/F	0.9	SIMR8A9	91064			
NSS 300 Forza		280	1	2013-		0.9	LMAR8A-9	4313			
NSS 300		300	1	2011-		0.9	LMAR8A-9	4313			
SH 300 i	NF02	300	1	2007-		0.9	LMAR8A-9	4313			
SH 300 i		300	1	2007-2010		0.9	LMAR8A-9	4313			
SH 300 i	NF02	300	1	2011-	Constr.Code AB>F 25hp	0.9	LMAR8A-9	4313			
SH 300 i ABS		300	1	2007-2010		0.9	LMAR8A-9	4313			
SH 300 i Sport		300	1	2007-2010		0.9	LMAR8A-9	4313			
CBR 400 RR Fireblade	NC29	400	4	1992-1999		0.9	CR8EH-9	5666	Q228	CR8EHIX-9	3797
FJS 400 'Silverwing		400	2	2006-		0.9	CR8EH-9	5666	Q228	CR8EHIX-9	3797
RVF 400 R	NC35	400	4	1994-1996		0.6	ER9EH	5869		ER9EHIX	96652
SW-T 400		400	2	2009-		0.9	CR8EH-9	5666	Q228	CR8EHIX-9	3797
XR 400 R	NE03	400	1	1996-2004	Constr.Code T>1	0.7	DPR8Z	4730			
XR 400 R Monnier		400	1	1999-		0.7	DPR8Z	4730			
CRF 450		450	1	2005-		1.1	IFR9H11	6588			
CRF 450		450	1	2009-		0.9	SILMAR9A9S	6213			
CRF 450 R	PE05	450	1	2002-2008	Constr.Code E/D	1.1	IFR8H11	5068			
CRF 450 R	PE05	450	1	2008-	For Racing use	0.9	SIL-MAR10A9S	7764			
CRF 450 R	PE05	450	1	2008-		0.9	SILMAR9A9S	6213			
CRF 450 R Conduite Sportive		450	1	2009-		0.9	SIL-MAR10A9S	7764			
CRF 450 X	PE06	450	1	2005-2008		1.1	IFR8H11	5068			
CRS 450 R2		450	1	2002-		1.1	IFR9H11	6588			
CRS 450 R3		450	1	2002-		1.1	IFR9H11	6588			
CB 500	PC26	500	2	1994-1995	Constr.Code R>Y	0.9	CR9EH-9	7502	Q229	CR9EHIX-9	6216
CB 500	PC32	500	2	1996-2003		0.9	CR8EH-9	5666	Q228	CR8EHIX-9	3797
CB 500 Cup	PC32	500	2	1998-1999		0.9	CR8EH-9	5666	Q228	CR8EHIX-9	3797
CB 500 F		500	2	2013-	48hp	0.9	CPR8EA-9	2306		CPR8EAIX-9	96067
CB 500 S Sport	PC32	500	2	1998-2003	Constr.Code W>Y	0.9	CR8EH-9	5666	Q228	CR8EHIX-9	3797
CB 500 X		500	2	2013-	48hp	0.9	CPR8EA-9	2306		CPR8EAIX-9	96067
CBF 500	PC39	500	2	2004-2008		0.9	CR8EH-9S	7750			
CBF 500 N		500	2	2004-2006		0.9	CR8EH-9S	7750			
CBF 500 NA		500	2	2004-2006		0.9	CR8EH-9S	7750			
CBR 500 R		500	2	2013-	47hp	0.9	CPR8EA-9	2306		CPR8EAIX-9	96067
CMX 500 Rebel	PC 56	500	2	2017-	46hp	0.9	CPR8EA-9	2306		CPR8EAIX-9	96067
CR 500 R	PE02	500	1	1993-2001		0.5	BR8EG	3130			
CB 600 F Hornet	PC34	600	4	1998-2002	Constr.Code W/X/Y/1	0.9	CR9EH-9	7502	Q229	CR9EHIX-9	6216
CB 600 F Hornet	PC36	600	4	2002-2006		0.9	CR9EH-9	7502	Q229	CR9EHIX-9	6216
CB 600 F Hornet	PC41	600	4	2007-		0.9	CR9EH-9	7502	Q229	CR9EHIX-9	6216
CB 600 F Hornet	PC41E	600	4	2011-		0.9	CR8EH-9	5666	Q228	CR8EHIX-9	3797
CB 600 Hornet	PC36	600	4	2005-		0.9	CR9EH-9	7502	Q229	CR9EHIX-9	6216
CB 600 RR		600	4	2009-		0.9	IMR9E-9HES	7556			
CBF 600 N	PC38	600	4	2004-2007		0.9	CR9EH-9	7502	Q229	CR9EHIX-9	6216
CBF 600 N	PC43	600	4	2008-2010		0.9	CR8EH-9	5666	Q228	CR8EHIX-9	3797

*Bitte Elektrodenabstand nach Angaben des Herstellers justieren

*Please adjust the ground electrode gap

*Veuillez vérifier l'écartement

* Por favor, ajustar la distancia entre los electrodos

*Regolare il gap

** Iridium IX Spark Plug is the standard recommendation





Stock No.

Quick No.

Upgrade ↑

Stock No. ↑

HONDA

CBF 600 S	PC38	600	4	2004-2007	Germany	0.9	CR9EH-9	7502	Q229	CR9EHIX-9	6216
CBF 600 S	PC43	600	4	2008-2010		0.9	CR8EH-9	5666	Q228	CR8EHIX-9	3797
CBR 600 F	PC31	600	4	1995-1998		0.9	CR9EH-9	7502	Q229	CR9EHIX-9	6216
CBR 600 F	PC35	600	4	1999-2000		0.9	CR9EH-9	7502	Q229	CR9EHIX-9	6216
CBR 600 F	PC35	600	4	2001-2007		0.9	IMR9C-9H	6777			
CBR 600 F	PC35	600	4	2001-2001		0.9	IMR9A-9H	6966			
CBR 600 F	PC41	600	4	2011-2013		0.9	CR9EH-9	7502	Q229	CR9EHIX-9	6216
CBR 600 Hannspree		600	4	2008-		0.9	IMR9C-9H	6777			
CBR 600 RR	PC37	600	4	2003-2004		0.9	IMR9C-9H	6777			
CBR 600 RR	PC37	600	4	2005-2006		0.9	IMR9C-9HES	5766			
CBR 600 RR	PC40	600	4	2007-2010		0.9	IMR9C-9HES	5766			
CBR 600 RR ABS		600	4	2009-		0.9	IMR9E-9HES	7556			
CBR 600 RR ABS		600	4	2011-	Constr.Code AB>F/2F/3F	0.9	IMR9C-9HES	5766			
CBR 600 S	PC35	600	4	2001-2002		0.9	IMR9C-9H	6777			
CBR 600 S	PC35	600	4	2001-2001		0.9	IMR9A-9H	6966			
FES 600 Silver Wing		600	2	2001-		0.9	CR8EH-9	5666	Q228	CR8EHIX-9	3797
FJS Silver Wing		600	2	2011-		0.9	IMR9C-9HES	5766			
FJS Silver Wing ABS	G2	600	2	2003-		0.9	CR8EH-9	5666	Q228	CR8EHIX-9	3797
XL 600 V Transalp	PD10	600	2	1997-2000		0.9	DPR8EA-9	4929	Q221	DPR8EIX-9	2202
XR 600 R		600	1	1993-1999	Constr.Code P>X	0.9	DPR8EA-9	4929	Q221	DPR8EIX-9	2202
CB 650 F	RC75	650	4	2014-2016	87hp	0.9	CR9EH-9	7502	Q229	CR9EHIX-9	6216
CB 650 F	RC75	650	4	2014-2016	48hp	0.9	CR9EH-9	7502	Q229	CR9EHIX-9	6216
CB 650 F	RC97	650	4	2017-	48hp	0.9	CR9EH-9	7502	Q229	CR9EHIX-9	6216
CB 650 F	RC97	650	4	2017-	90hp	0.9	CR9EH-9	7502	Q229	CR9EHIX-9	6216
CBR 650 FA		650	4	2014-	91hp	0.9	CR9EH-9	7502	Q229	CR9EHIX-9	6216
FMX 650	RD12	650	1	2005-2007		0.9	DPR8EA-9	4929	Q221	DPR8EIX-9	2202
FX 650 Vigor		650	1	1999-	Constr.Code X	0.9	DPR8EA-9	4929	Q221	DPR8EIX-9	2202
FX 650 Vigor	RD09	650	1	1999-2000		0.9	DPR8EA-9	4929	Q221	DPR8EIX-9	2202
NT 650 V CBS Deauville	RC47	650	2	2002-2005	Constr.Code E/D	0.9	DPR8EA-9	4929	Q221	DPR8EIX-9	2202
NT 650 V Deauville	RC47	650	2	1998-2001	Constr.Code W/X/Y/1	0.9	DPR8EA-9	4929	Q221	DPR8EIX-9	2202
NX 650 Dominator	RD08	650	1	1995-2000		0.9	DPR8EA-9	4929	Q221	DPR8EIX-9	2202
SLR 650	RD09	650	1	1997-1998	Constr.Code V / W	0.9	DPR8EA-9	4929	Q221	DPR8EIX-9	2202
XL 650 V Transalp	RD10	650	2	2000-2001		0.9	DPR8EA-9	4929	Q221	DPR8EIX-9	2202
XL 650 V Transalp	RD11	650	2	2002-2007		0.9	DPR8EA-9	4929	Q221	DPR8EIX-9	2202
XL 650 V Transalp	RD11	650	2	2005-		0.9	DPR8EA-9	4929	Q221	DPR8EIX-9	2202
XR 650 L	RD062	650	1	1993-1996		0.9	DPR8EA-9	4929	Q221	DPR8EIX-9	2202
XR 650 R	RE01	650	1	2000-2007		1.1	BKR8E-11	6587			
NC 700 Integra		670	2	2012-		1.1	IFR6G-11K	1314			
NC 700 S		670	2	2012-		1.1	IFR6G-11K	1314			
NC 700 X		670	2	2012-		1.1	IFR6G-11K	1314			
NSA 700 DN-01	RC55A	680	2	2008-2010		0.9	CPR8EA-9	2306		CPR8EAIX-9	96067
NSA 700 DN-01	RC55A	680	2	2011-		0.9	SIMR8A9	91064			
NT 700 V Deauville	RC52	680	2	2006-2009		0.9	CPR8EA-9	2306		CPR8EAIX-9	96067
NT 700 V Deauville	RC59	680	2	2010-		0.9	CPR8EA-9	2306		CPR8EAIX-9	96067
XL 700 V Transalp	RD13	680	2	2008-		0.9	CPR8EA-9	2306		CPR8EAIX-9	96067
NC 700 SA		700	2	2012-		1.1	IFR6G-11K	1314			
NC 700 SD		700	2	2012-		1.1	IFR6G-11K	1314			
NC 700 XA		700	2	2011-		1.1	IFR6G-11K	1314			
NC 700 XD		700	2	2011-		1.1	IFR6G-11K	1314			
NC 750 Integra		745	2	2014-		1.1	IFR6G-11K	1314			
NC 750 S/X		745	2	2014-		1.1	IFR6G-11K	1314			

*Bitte Elektrodenabstand nach Angaben des Herstellers justieren

*Please adjust the ground electrode gap

*Veuillez vérifier l'écartement

* Por favor, ajustar la distancia entre los electrodos

*Regolare il gap

* Iridium IX Spark Plug is the standard recommendation





Stock No.

Quick No.

Upgrade ↑

Stock No. ↑

HONDA

NM 4 Vultus		745	2	2014-		1.1	IFR6G-11K	1314			
CB 750		750	4	1992-1993		0.9	DPR8EA-9	4929	Q221	DPR8EIX-9	2202
CB 750 F2 Seven Fifty	RC42	750	4	1994-2003		0.9	DPR8EA-9	4929	Q221	DPR8EIX-9	2202
NC 750	RC71A/RC89A/ RC82A/RC92A/ RC70B/RC70C/ RC88A/RC88B/ RC72B/RC90A/ RC72C/RC90B	750	2	2014-	55hp	1.1	IFR6G-11K	1314			
NC 750	RC88A/RC88B/ RC90A/RC90B	750	2	2016-	48hp	1.1	IFR6G-11K	1314			
NR 750	RC40	750	4	1992-1993		0.7	ER9EH	5869		ER9EHIX	96652
NR 750 N		750	4	1992-		0.7	ER9EH	5869		ER9EHIX	96652
RVF 750 R	RC45	750	4	1994-1997	Constr.Code R>V	0.9	CR9EHIX* *9	6216			
VF 750 C Magna	RC43	750	4	1993-2000	Constr.Code P>V	0.9	CR8EH-9	5666	Q228	CR8EHIX-9	3797
VFR 750 F	RC36	750	4	1994-1997	Constr.Code R>V	0.9	CR9EH-9	7502	Q229	CR9EHIX-9	6216
VT 750 C2 Ace Spirit	RC44	750	2	1997-2002		0.9	DPR8EA-9	4929	Q221	DPR8EIX-9	2202
VT 750 C2B Shadow Black Spirit	RC53	750	2	2010-		0.9	DPR8EA-9	4929	Q221	DPR8EIX-9	2202
VT 750 C2 Shadow	RC44A	750	2	1999-	Constr.Code X/Y	0.9	DPR8EA-9	4929	Q221	DPR8EIX-9	2202
VT 750 C2 Shadow Spirit	RC53	750	2	2007-2009		0.9	DPR7EA-9	5129	Q220	DPR7EIX-9	7803
VT 750 C2S Shadow	RC53	750	2	2010-		0.9	DPR8EA-9	4929	Q221	DPR8EIX-9	2202
VT 750 C Shadow	RC44	750	2	1997-2000	Constr.Code V>Y	0.9	DPR8EA-9	4929	Q221	DPR8EIX-9	2202
VT 750 C Shadow	RC50	750	2	2004-2009		0.9	DPR7EA-9	5129	Q220	DPR7EIX-9	7803
VT 750 CS Shadow	RC50	750	2	2010-		0.9	DPR7EA-9	5129	Q220	DPR7EIX-9	7803
VT 750 DC Black Window	RC48	750	2	2000-2003		0.9	DPR8EA-9	4929	Q221	DPR8EIX-9	2202
VT 750 S	RC58	750	2	2010-		0.9	DPR7EA-9	5129	Q220	DPR7EIX-9	7803
VT 750 Shadow RS		750	2	2010-		0.9	DPR7EA-9	5129	Q220	DPR7EIX-9	7803
X-ADV 750	RC95	750	2	2017-	55hp	1.1	IFR6G-11K	1314			
X-ADV 750	RC95	750	2	2017-	48hp	1.1	IFR6G-11K	1314			
XRV 750 Africa Twin	RD07	750	2	1993-2003		0.9	DPR8EA-9	4929	Q221	DPR8EIX-9	2202
VFR 800 XAB Cross- runner	RC60	782	4	2012-		0.9	IMR9D-9H	6544			
VFR 800	RC46	800	4	2002-2010		0.9	IMR9B-9H	4888			
VFR 800 A	RC46	800	4	2002-		0.9	IMR9B-9H	4888			
VFR 800 F		800	4	1997-2001	Constr.Code W	0.8	CR9EH-9	7502	Q229	CR9EHIX-9	6216
VFR 800 Fi		800	4	1997-2001	Constr.Code X>Y	0.8	CR9EH-9	7502	Q229	CR9EHIX-9	6216
VFR 800 Fi V4 VTEC		800	4	2001-		0.9	IMR9B-9H	4888			
VFR 800 VTEC	LJH1	800	4	2013-		0.9	IMR9B-9H	4888			
VFR 800 X	RC60A	800	4	2011-	Constr.Code B	0.9	IMR9D-9H	6544			
CB 900 F Hornet	SC48	900	4	2002-2006	Constr.Code E/D	0.9	CR8EH-9	5666	Q228	CR8EHIX-9	3797
CBR 900	SC57	900	4	2004-		0.9	IMR9C-9HES	5766			
CBR 900 RR Fireblade	SC28	900	4	1992-1995	Constr.Code N>X	0.9	CR9EH-9	7502	Q229	CR9EHIX-9	6216
CBR 900 RR Fireblade	SC33	900	4	1996-1999	Constr.Code N>X	0.9	CR9EH-9	7502	Q229	CR9EHIX-9	6216
CBR 900 RR Fireblade	SC44	900	4	2000-2001	Constr.Code Y	0.9	IMR9A-9H	6966			
CBR 900 RR Fireblade	SC50	900	4	2002-2003	Constr.Code E/D	0.9	IMR9C-9H	6777			
CB 1000 F Big One	SC30	1000	4	1993-1999	Constr.Code P>X	0.9	DPR9EA-9	5329	Q222	DPR9EIX-9	5545
CB 1000 F Super Four	SC30	1000	4	1993-1996		0.9	DPR9EA-9	5329	Q222	DPR9EIX-9	5545
CB 1000 R	SC60	1000	4	2008-	145hp	0.9	IMR9E-9HES	7556			
CB 1000 R		1000	4	2011-		0.9	IMR9E-9HES	7556			
CB 1000 RA	SC60	1000	4	2008-		0.9	IMR9E-9HES	7556			
CB 1000 RA	SC60	1000	4	2009-		0.9	IMR9E-9HES	7556			
CBF 1000	SC58	1000	4	2006-2010		0.9	CR8EH-9	5666	Q228	CR8EHIX-9	3797
CBF 1000 A	SC58	1000	4	2006-		0.9	CR8EH-9	5666	Q228	CR8EHIX-9	3797
CBF 1000 F	SC64	1000	4	2010-2010		0.9	IMR8C-9HES	5990			

*Bitte Elektrodenabstand nach Angaben des Herstellers justieren

*Please adjust the ground electrode gap

*Veuillez vérifier l'écartement

* Por favor, ajustar la distancia entre los electrodos

*Regolare il gap

** Iridium IX Spark Plug is the standard recommendation





Stock No.

Quick No.

Upgrade ↑

Stock No. ↑

HONDA

CBF 1000 FA	SC64	1000	4	2010-		0.9	IMR8C-9HES	5990			
CBF 1000 Limited Edition	SC58	1000	4	2009-2009		0.9	CR8EH-9	5666	Q228	CR8EHIX-9	3797
CBR 1000 RR	SC57A	1000	4	2007-		0.9	IMR9C-9H	6777			
CBR 1000 RR	SC59A	1000	4	2011-	Constr.Code AB>2F / AB>3F	0.9	IMR9E-9HES	7556			
CBR 1000 RR Fire-blade	SC57A/SC57B	1000	4	2004-2007		0.9	IMR9C-9HES	5766			
CBR 1000 RR Fire-blade	SC59A	1000	4	2008-		0.9	IMR9E-9HES	7556			
CBR 1000 RR Fire-blade	SC59A	1000	4	2009-2016	178hp	0.9	IMR9E-9HES	7556			
CBR 1000 RR Repsol	SC57A/SC57B	1000	4	2004-		0.9	IMR9C-9HES	5766			
CRF 1000 A Africa Twin		1000	2	2017-	95hp	0.9	SILMAR8A9S	90992			
CRF 1000 AG Africa Twin ABS		1000	2	2016-2016	95hp	0.9	SILMAR8A9S	90992			
CRF 1000 AH Africa Twin		1000	2	2017-2017	95hp	0.9	SILMAR8A9S	90992			
CRF 1000 D Africa Twin		1000	2	2017-	95hp	0.9	SILMAR8A9S	90992			
CRF 1000 D Africa Twin ABS		1000	2	2017-	95hp	0.9	SILMAR8A9S	90992			
CRF 1000 DG Africa Twin DCT		1000	2	2016-2016	95hp	0.9	SILMAR8A9S	90992			
CRF 1000 DH Africa Twin DCT		1000	2	2017-2017	95hp	0.9	SILMAR8A9S	90992			
CRF 1000 G Africa Twin		1000	2	2016-2016	95hp	0.9	SILMAR8A9S	90992			
CRF 1000 L Africa Twin		1000	2	2016-	95hp	0.9	SILMAR8A9S	90992			
CRF 1000 L Africa Twin ABS		1000	2	2016-2016	95hp	0.9	SILMAR8A9S	90992			
CRF 1000 L Africa Twin DCT		1000	2	2016-	95hp	0.9	SILMAR8A9S	90992			
VTR 1000 F Fire Storm	SC36	1000	2	1997-2006	Constr.Code V/W/X/Y/1	0.9	DPR9EIX-9**	5545			
VTR 1000 SP-1	SC45	1000	2	2000-2001	Constr.Code Y/1	1.1	FR9B11	4709			
VTR 1000 SP-2	SC45	1000	2	2002-2006	Constr.Code E/D	1.1	IFR9H11	6588			
XL 1000 VA Varadero	SD02	1000	2	2004-		0.9	JR8B9	4873			
XL 1000 VA Varadero	SD02C	1000	2	2008-		0.9	JR8B9	4873			
XL 1000 V Varadero	SD01A	1000	2	1999-	Constr.Code X/Y/1/2	0.9	DPR8EIX-9**	2202			
XL 1000 V Varadero	SD01	1000	2	1999-2002		0.9	DPR8EIX-9**	2202			
XL 1000 V Varadero	SD02A	1000	2	2003-	Constr.Code 3/4/5/6/7	0.9	JR8B9	4873			
XL 1000 V Varadero	SD02	1000	2	2003-2007		0.9	JR8B9	4873			
CB 1100		1100	4	1999-		0.9	CR8EHIX-9**	3797			
CB 1100		1100	4	2010-		0.9	LMAR8A-9S	6817			
CB 1100	SC65	1100	4	2013-	90hp	0.9	LMAR8A-9S	6817			
CB 1100 R		1100	4	2010-		0.9	LMAR8A-9S	6817			
CB 1100 SF X-11	SC42A	1100	4	1999-	Constr.Code Y/1	0.9	CR8EHIX-9**	3797			
CB 1100 SF X-11 Eleven	SC42A	1100	4	2000-2003		0.9	CR8EHIX-9**	3797			
CBR 1100 XX Super Blackbird	SC35	1100	4	1997-2000	Constr.Code V>Y	0.9	CR9EHIX-9**	6216			
CBR 1100 XX Super Blackbird	SC35	1100	4	2001-2008	Constr.Code 1	0.9	IMR9C-9H	6777			
CBR 1100 XX Super Blackbird	K1 / VIN >3405929	1100	4	2001-2001		0.9	IMR9A-9H	6966			
CBR 1100 XX Super Blackbird	K2 / VIN 3405930>	1100	4	2002-2002		0.9	IMR9C-9H	6777			
ST 1100 A Pan European	SC26	1100	4	1992-2001	Constr.Code L>Y	0.9	CR8EH-9	5666	Q228	CR8EHIX-9	3797
VT 1100 C2 Shadow Ace	SC32	1100	2	1995-2000	Constr.Code T>Y	0.9	DPR7EA-9	5129	Q220	DPR7EIX-9	7803

* Bitte Elektrodenabstand nach Angaben des Herstellers justieren

* Please adjust the ground electrode gap

* Veuillez vérifier l'écartement

* Por favor, ajustar la distancia entre los electrodos

* Regolare il gap

* Iridium IX Spark Plug is the standard recommendation





Stock No.

Quick No.

Upgrade ↑

Stock No. ↑

HONDA

VT 1100 C3 Shadow Aero	SC39	1100	2	1998-2000	Constr.Code W>X	0.9	DPR7EA-9	5129	Q220	DPR7EIX-9	7803
VT 1100 C Shadow	SC23	1100	2	1994-1995	Constr.Code R/S	0.9	DPR7EA-9	5129	Q220	DPR7EIX-9	7803
CB 1100	SC65B	1140	4	2013-2016	90hp	0.9	LMAR8A-9S	6817			
CB 1100 EX		1140	4	2014-		0.9	LMAR8A-9S	6817			
VFR 1200	SC70A	1200	4	2012-		0.9	IMR8E-9HES	95397			
VFR 1200 F ABS	SC63	1200	4	2010-		0.9	IMR9E-9HES	7556			
VFR 1200 F DCT	SC63	1200	4	2010-		0.9	IMR9E-9HES	7556			
VFR 1200 V4	SC63	1200	4	2010-		0.9	IMR9E-9HES	7556			
VFR 1200 V4 Tourer	SC63	1200	4	2010-		0.9	IMR9E-9HES	7556			
VFR 1200 X Cross-tourer	SC70A	1200	4	2012-	129hp	0.9	IMR8E-9HES	95397			
CB 1300	SC54	1300	4	2005-2005	Constr.Code 5	0.9	DPR8EA-9	4929	Q221	DPR8EIX-9	2202
CB 1300 A	SC54	1300	4	2005-2009	Constr.Code 5>9	0.9	DPR8EA-9	4929	Q221	DPR8EIX-9	2202
CB 1300 DCV X4	SC38	1300	4	1997-2003		0.9	DPR9EA-9	5329	Q222	DPR9EIX-9	5545
CB 1300 F	SC54	1300	4	2003-2004	Constr.Code 3>4	0.9	DPR8EA-9	4929	Q221	DPR8EIX-9	2202
CB 1300 F Super Four	SC54A	1300	4	2003-	Constr.Code 3	0.9	DPR9EA-9	5329	Q222	DPR9EIX-9	5545
CB 1300 SA	SC54	1300	4	2005-	Constr.Code 5	0.9	DPR8EA-9	4929	Q221	DPR8EIX-9	2202
CB 1300 SA Super Four ABS	SC54	1300	4	2005-	Constr.Code 5	0.9	DPR8EA-9	4929	Q221	DPR8EIX-9	2202
CB 1300 Super Touring		1300	4	2010-	Constr.Code A	0.9	DPR9EA-9	5329	Q222	DPR9EIX-9	5545
CTX 1300		1300	4	2014-		0.9	CR8EH-9	5666	Q228	CR8EHIX-9	3797
ST 1300 A Pan European ABS	SC51	1300	4	2002-	Constr.Code 2>	0.9	CR7EH-9	3486			
ST 1300 Pan European	SC51	1300	4	2002-2004	Constr.Code 2>4	0.9	CR8EH-9	5666	Q228	CR8EHIX-9	3797
VT 1300 CX	SC61A	1300	2	2010-	Constr.Code A	0.8	DCPR6E	3481		DCPR6EIX	8196
VT 1300 CXA ABS	SC61B	1300	2	2010-	Constr.Code A	0.9	DCPR6E	3481		DCPR6EIX	8196
VTX 1300 S	SC52	1300	2	2003-2007		0.8	DCPR6E	3481		DCPR6EIX	8196
GL 1500 F6C Valkyrie	SC34	1500	6	1996-2003	Constr.Code V>1	0.9	DPR7EA-9	5129	Q220	DPR7EIX-9	7803
GL 1800 A Goldwing	SC47	1800	6	2001-2005	Constr.Code 1>5	1.1	BKR6E-11	2756		BKR6EIX-11	3764
GL 1800 Goldwing	SC47	1800	6	2006-		1.1	BKR6E-11	2756		BKR6EIX-11	3764
GL 1800 Goldwing	SC47	1800	6	2006-	Constr.Code 6>7	1.1	BKR6E-11	2756		BKR6EIX-11	3764
GL 1800 Goldwing	SC68	1800	6	2012-		1.1	BKR7E-11	1283		BKR7EIX-11	6988
GL 1800 Goldwing	SC79	1800	6	2018-	126hp	0.9	CR6HSB-9	97276			
VTX 1800 C		1800	2	2001-2008		1.1	IFR6L11	3678			
VTX 1800 C	SC46	1800	2	2002-2004		1.1	IFR6L11	3678			
VTX 1800 C1	SC46	1800	2	2005-2006		1.1	IFR6L11	3678			

HOREX

VR6 Roadster		1218	6	2012-		0.9	CR9EIA-9	6289			
---------------------	--	------	---	-------	--	-----	----------	------	--	--	--

HRD

GS Enduro		50	1	1998-1999		0.6	BR8ES	5422	Q207	BR8EIX	5044
Slide Sonic Supermotorrad		50	1	1998-		0.6	BR8ES	5422	Q207	BR8EIX	5044
Sonic 2 SM		50	1	1999-		0.6	BR8ES	5422	Q207	BR8EIX	5044
Sonic 2 Trail		50	1	1999-		0.6	BR8ES	5422	Q207	BR8EIX	5044
Super		125	1	1999-		0.7	CR9EB	6955			
Trail		125	1	1999-		0.7	CR9EB	6955			

HUONIAO

HN50-QT8		50		2007-		0.7	C7HSA	4629		CR7HIX	7544
HN125-8		125		2006-		0.7	D8EA	2120	Q216	DR8EIX	6681

HUSABERG

TE 125		125	1	-		0.7	BR7EIX**	6664			
---------------	--	-----	---	---	--	-----	----------	------	--	--	--

*Bitte Elektrodenabstand nach Angaben des Herstellers justieren

*Please adjust the ground electrode gap

*Veuillez vérifier l'écartement

* Por favor, ajustar la distancia entre los electrodos

*Regolare il gap

** Iridium IX Spark Plug is the standard recommendation





Stock No.

Quick No.

Upgrade ↑

Stock No. ↑

HUSABERG

FE 250		250	1	2013-	10mm Thread Size / 19mm Thread Reach	0.8	CR9EKB	2305			
FE 250		250	1	2014-	10mm Thread Size / 26,5mm Thread Reach	1.0	LMAR9AI-10	93188			
TE 250		250	1	2011-		0.7	BR7ES	5122		BR7EIX	6664
TE 300		300	1	2011-		0.7	BR7ES	5122		BR7EIX	6664
FE 350		350	1	2013-		0.8	LMAR9AI-8	97225			
MC 350		350	1	-1999		0.7	C8E	7471		CR8EIX	4218
FE 390		390	1	2010-		0.9	LKAR8AI-9	6706			
FC 400		400	1	1997-1999		0.7	C8E	7471		CR8EIX	4218
FC 400		400	1	2003-		0.8	DCPR8EIX**	6546			
FE 400		400	1	1997-1999		0.7	C8E	7471		CR8EIX	4218
FE 400 E		400	1	2000-2002		0.6	DCPR8E	4179		DCPR8EIX	6546
FS 400 C		400	1	2000-2002		0.6	DCPR8E	4179		DCPR8EIX	6546
FS 400 E		400	1	2000-2002		0.6	DCPR8E	4179		DCPR8EIX	6546
FX 400		400	1	1999-		0.7	DCPR8E	4339		DCPR8EIX	6546
FX 400 E		400	1	-1999		0.7	C8E	7471		CR8EIX	4218
SM 400		400	1	1999-		0.7	DCPR8E	4339		DCPR8EIX	6546
FE 450		450	1	2003-2008		0.8	DCPR8EIX**	6546			
FE 450 E		450	1	2000-2008		0.6	DCPR8E	4179		DCPR8EIX	6546
FE 450 FE		450	1	2009-	52hp	0.9	LKAR8AI-9	6706			
FC 470/6		470	1	2000-2002		0.6	DCPR8E	4179		DCPR8EIX	6546
FX 470 E		470	1	2000-2002		0.6	DCPR8E	4179		DCPR8EIX	6546
FC 499 MX		499	1	1995-1999		0.7	C8E	7471		CR8EIX	4218
FE 501 E		500	1	2000-		0.6	DCPR8E	4179		DCPR8EIX	6546
MC 501		500	1	-1999		0.7	C8E	7471		CR8EIX	4218
FC 501		501	1	1995-1999		0.7	C8E	7471		CR8EIX	4218
FE 501		501	1	1993-1999		0.7	C8E	7471		CR8EIX	4218
FE 501		501	1	2003-2007		0.8	DCPR8EIX**	6546			
FE 501		501	1	2008-		0.9	DCPR8E	4339		DCPR8EIX	6546
FE 501		501	1	2013-		0.9	LKAR8AI-9	6706			
FE 501 E		501	1	1993-1999		0.7	C8E	7471		CR8EIX	4218
FX 501		501	1	1999-		0.7	DCPR8E	4339		DCPR8EIX	6546
FX 501 E		501	1	1997-1999		0.7	C8E	7471		CR8EIX	4218
SM 501		501	1	1999-		0.7	DCPR8E	4339		DCPR8EIX	6546
FC 550		550	1	2003-		0.8	DCPR8EIX**	6546			
FC 550/4		550	1	2000-		0.6	DCPR8E	4179		DCPR8EIX	6546
FC 550/6		550	1	2000-		0.6	DCPR8E	4179		DCPR8EIX	6546
FE 550 E		550	1	2000-		0.6	DCPR8E	4179		DCPR8EIX	6546
FS 550 E		550	1	2000-		0.6	DCPR8E	4179		DCPR8EIX	6546
FE 570		560	1	2009-		0.9	LKAR8AI-9	6706			
FE 450		565	1	2009-	57hp	0.9	LKAR8AI-9	6706			
FS 570		565	1	2010-		0.9	LKAR8AI-9	6706			
FC 600		600	1	1992-1999		0.7	C8E	7471		CR8EIX	4218
FE 600		600	1	1992-1999		0.7	C8E	7471		CR8EIX	4218
FE 600 E		600	1	1998-1999		0.7	C8E	7471		CR8EIX	4218
FX 600		600	1	1997-1999		0.7	C8E	7471		CR8EIX	4218
FX 600 E		600	1	1997-1999		0.7	C8E	7471		CR8EIX	4218
MC 600		600	1	-1999		0.7	C8E	7471		CR8EIX	4218
Enduro Rallye		650	1	1999-		0.7	DCPR8E	4339		DCPR8EIX	6546
FE 650		650	1	2003-2007		0.7	DCPR8EIX**	6546			
FE 650 E		650	1	2000-		0.6	DCPR8E	4179		DCPR8EIX	6546
FE 650 E		650	1	2003-		0.7	DCPR8EIX**	6546			

*Bitte Elektrodenabstand nach Angaben des Herstellers justieren

*Please adjust the ground electrode gap

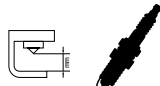
*Veuillez vérifier l'écartement

* Por favor, ajustar la distancia entre los electrodos

*Regolare il gap

* Iridium IX Spark Plug is the standard recommendation





Stock No.

Quick No.

Upgrade ↑

Stock No. ↑

HUSABERG

FE 650 E		650	1	2008-		0.9	DCPR8E	4339		DCPR8EIX	6546
FS 650 C		650	1	2000-		0.6	DCPR8E	4179		DCPR8EIX	6546
FS 650 E		650	1	2000-		0.6	DCPR8E	4179		DCPR8EIX	6546
FX 650 E		650	1	2000-		0.6	DCPR8E	4179		DCPR8EIX	6546
SM 650		650	1	1999-		0.7	DCPR8E	4339		DCPR8EIX	6546

HUSQVARNA

CR 50		50	1	2011-		0.7	BR8ECM	3035		BR8ECMIX	3520
CR 50 Minimoto		50	1	2010-		0.6	BR9ES	5722		BR9EIX	3981
Husky Boy Basic		50	1	2001-		0.5	B8HS	5510		BR8HIX	7001
Husky Boy Junior		50	1	1999-2001	14mm Thread Size / 12,7mm Thread Reach	0.5	B6HS	4510		BR6HIX	3419
Husky Boy Junior		50	1	2001-2003		0.5	B6HS	4510		BR6HIX	3419
Husky Boy Junior		50	1	2003-	14mm Thread Size / 19mm Thread Reach	0.6	BR10EIX**	6801			
Husky Boy Racing		50	1	2001-		0.5	B6HS	4510		BR6HIX	3419
Husky Boy Senior		50	1	2001-		0.5	B6HS	4510		BR6HIX	3419
SM 50		50	1	2002-		0.6	BR9ES	5722		BR9EIX	3981
SM 50		50	1	2011-		0.7	BR8ECM	3035		BR8ECMIX	3520
SM 50 Minimoto		50	1	2010-		0.6	BR9ES	5722		BR9EIX	3981
TC 50		50	1	2017-		0.7	LR8B	6208			
TC 50 MINI		50	1	2018-		0.7	LR8B	6208			
WRE 50		50	1	2002-		0.6	BR9ES	5722		BR9EIX	3981
WRS 50		50	1	1999-		0.5	B9ES	2611	Q202	BR9EIX	3981
WSM 50 Super Motard		50	1	2002-		0.7	BR9ES	5722		BR9EIX	3981
WXE 50 Enduro		50	1	2003-		0.7	BR9ES	5722		BR9EIX	3981
CR 65 Minicross		65	1	2011-		0.6	BR8ECM	3035		BR8ECMIX	3520
CR 65 Minimoto		65	1	2011-		0.6	BR8ECM	3035		BR8ECMIX	3520
TC 65		65	1	2017-		0.7	LR8B	6208			
TC 85		85	1	2014-		0.6	BR9ECMIX**	2707			
CR 125		125	1	1992-1994		0.5	BR10EIX**	6801			
CR 125		125	1	1997-		0.5	BR10EIX**	6801			
CR 125		125	1	1999-2000		0.5	BR9EG	3230			
CR 125		125	1	2001-2012		0.5	BR9EG	3230			
CR 125		125	1	2013-		0.5	BR9EG	3230			
SM 125		125	1	1999-		0.5	BR9EG	3230			
SM 125		125	1	2002-		0.5	BR9EG	3230			
SM 125 S		125	1	2002-		0.5	BR9EG	3230			
SM S 125		125	1	2000-		0.5	BR9EG	3230			
SM S 125		125	1	2011-		0.6	CR8E	4854	Q226	CR8EIX	4218
SMS 4		125	1	2011-		0.6	CR8E	4854	Q226	CR8EIX	4218
TC 125		125	1	-		0.5	BR9EG	3230			
TE 125		125	1	2011-2013	10mm Thread Size / 19mm Thread Reach	0.7	CR8E	4854	Q226	CR8EIX	4218
TE 125		125	1	2014-2016	14mm Thread Size / 19mm Thread Reach	0.6	BR9ECMIX**	2707			
TE 125 4T		125	1	2011-		0.6	CR8E	4854	Q226	CR8EIX	4218
TX 125		125	1	2017-		0.6	BR9ECMIX**	2707			
WR 125		125	1	1993-1994		0.5	BR9EIX**	3981			
WR 125		125	1	1995-2000		0.5	BR10EIX**	6801			
WR 125		125	1	2001-		0.5	BR9EG	3230			
WR 125		125	1	2013-		0.5	BR9EG	3230			
WR 125 2T		125	1	2005-		0.5	BR9EG	3230			
WRE 125		125	1	1998-2001		0.7	B9EG	3530			

*Bitte Elektrodenabstand nach Angaben des Herstellers justieren

*Please adjust the ground electrode gap

*Veuillez vérifier l'écartement

* Por favor, ajustar la distancia entre los electrodos

*Regolare il gap

** Iridium IX Spark Plug is the standard recommendation





Stock No.

Quick No.

Upgrade ↑

Stock No. ↑

HUSQVARNA

WRE 125		125	1	2002-		0.5	BR9EG	3230			
WRE 125 Compétition		125	1	1998-		0.5	R7435-10	4897			
WSM 125		125	1	2004-		0.7	CR7HSA	4549		CR7HIX	7544
WXE 125		125	1	2004-		0.7	CR7HSA	4549		CR7HIX	7544
TE 150		150	1	2017-	only US	0.6	BR9ECMIX**	2707			
WR 240		240	1	-		0.5	B8EG	3430			
CR 250		250	1	1993-1994		0.6	BR10EIX**	6801			
CR 250		250	1	1995-2000		0.5	BR9EIX**	3981			
CR 250		250	1	2001-		0.8	BR8EG	3130			
FC 250		250	1	2014-		0.8	LMAR9AI-8	97225			
FE 250		250	1	2014-		1.0	LMAR9AI-10	93188			
TC 250		250	1	2001-2008		0.6	CR8EB	7784			
TC 250		250	1	2009-		0.7	CR9EB	6955			
TC 250		250	1	2014-		0.6	BR8ECM	3035		BR8ECMIX	3520
TC 250 4T		250	1	2005-		0.7	CR8EB	7784			
TE 250		250	1	2001-2007		0.6	CR8EB	7784			
TE 250		250	1	2009-		0.7	CR9EB	6955			
TE 250		250	1	2013-2013	10mm Thread Size / 19mm Thread Reach	0.9	CR9EIA-9	6289			
TE 250		250	1	2014-2017	14mm Thread Size / 19mm Thread Reach	0.7	BR7ES	5122		BR7EIX	6664
TE 250i		250	1	2018-		1.3	ZGR7GI-13G	96760			
TE 250 i.e.		250	1	2008-		0.7	CR9EB	6955			
TE 250 Meo Replica		250	1	2011-		0.7	CR9EB	6955			
TE 250 R		250	1	2001-2007		0.6	CR8EB	7784			
TXC 250		250	1	2010-		0.7	CR9EB	6955			
WR 250		250	1	1996-1999		0.6	BR9EIX**	3981			
WR 250		250	1	1999-2012		0.5	B8EG	3430			
WR 250		250	1	2001-		0.6	BR8EG	3130			
WR 250		250	1	2013-		0.8	BR8EG	3130			
WR 250 2T		250	1	2012-		0.6	BR8EG	3130			
TE 300		300	1	2014-2017		0.7	BR7ES	5122		BR7EIX	6664
TE 300i		300	1	2018-		1.3	ZGR7GI-13G	96760			
TX 300		300	1	2017-		0.6	BR7ES	5122		BR7EIX	6664
WR 300		300	1	2009-		0.6	BR8EG	3130			
TE 310		310	1	2009-2010		0.7	CR8EB	7784			
TE 310		310	1	2011-		0.7	CR9EB	6955			
TE 310		310	1	2011-2012	10mm Thread Size / 19mm Thread Reach	0.7	CR9EB	6955			
TE 310		310	1	2013-2013	10mm Thread Size / 19mm Thread Reach	0.9	CR9EIA-9	6289			
FC 350		350	1	2014-		0.8	LMAR9AI-8	97225			
FE 350		350	1	2014-2016		0.8	LMAR9AI-8	97225			
FE 350		350	1	2017-		1.0	LMAR9AI-10	93188			
FX 350		350	1	2017-		0.8	LMAR9AI-8	97225			
TE 350		350	1	1995-		0.7	C7E	5096		CR7EIX	7385
WR 350		350	1	1992-2002		0.5	BR9EIX**	3981			
360 WXC		360	1	1998-		0.5	B8EG	3430			
WR 360		360	1	1998-2000		0.5	B8EG	3430			
WR 360		360	1	2001-		0.5	B8EG	3430			
MX 390		390	1	-		0.5	B9ES	2611	Q202	BR9EIX	3981
MX 400		400	1	-		0.5	B9ES	2611	Q202	BR9EIX	3981
R 400 R		400	1	2001-		0.6	CR8EB	7784			
SM 400 R		400	1	2001-		0.6	CR8EB	7784			
TE 400		400	1	2001-		0.6	C7E	5096		CR7EIX	7385

*Bitte Elektrodenabstand nach Angaben des Herstellers justieren

*Please adjust the ground electrode gap

*Veuillez vérifier l'écartement

* Por favor, ajustar la distancia entre los electrodos

*Regolare il gap

* Iridium IX Spark Plug is the standard recommendation





Stock No.

Quick No.

Upgrade ↑

Stock No. ↑

HUSQVARNA

TE 400 R		400	1	2001-		0.6	CR8EB	7784			
TE 410		410	1	1995-1996		0.7	C7E	5096		CR7EIX	7385
TE 410	2AA	410	1	1996-2000		0.6	C7E	5096		CR7EIX	7385
TE 410 E		410	1	1999-2000		0.6	CR7E	4578	Q225	CR7EIX	7385
FC 450		450	1	2014-2015		0.9	LKAR8AI-9	6706			
FC 450		450	1	2016-		0.8	LMAR9AI-8	97225			
FE 450		450	1	2014-2016		0.9	LKAR8AI-9	6706			
FE 450		450	1	2017-		1.0	LMAR9AI-10	93188			
FR 450 Rally		450	1	2017-		0.9	LKAR8AI-9	6706			
FS 450		450	1	2015-2015		0.9	LKAR8AI-9	6706			
FS 450		450	1	2016-		0.8	LMAR9AI-8	97225			
FX 450		450	1	2017-		0.8	LMAR9AI-8	97225			
SM 450 R		450	1	2003-		0.6	CR8EB	7784			
SM 450 RR i.e		450	1	2008-		0.8	CR9EKB	2305			
SMR 449		450	1	2011-		0.7	CR9EKB	2305			
SMR 450		450	1	2003-		0.6	CR7EB	4663			
SMR 450		450	1	2004-		0.6	CR8EB	7784			
TC 449		450	1	2011-		0.7	CR9EKB	2305			
TC 450		450	1	2001-		0.6	CR8EB	7784			
TC 450		450	1	2004-		0.7	CR8EB	7784			
TE 449		450	1	2011-		0.7	CR9EKB	2305			
TE 450		450	1	2003-		0.6	CR8EB	7784			
TE 450		450	1	2013-		0.7	CR9EKB	2305			
TE 510		450	1	2003-		0.6	CR8EB	7784			
SMR 480		480	1	2011-		0.8	CR9EKB	2305			
SMR 511		480	1	2011-		0.7	CR9EKB	2305			
TE 480		480	1	2011-		0.8	CR9EKB	2305			
TE 511		480	1	2011-		0.7	CR9EKB	2305			
WR 500		500	1	-		0.5	B8EG	3430			
AC 510		510	1	-		0.9	DP8EA-9	5829		DPR8EIX-9	2202
FE 501		510	1	2014-2016		0.9	LKAR8AI-9	6706			
FE 501		510	1	2017-		1.0	LMAR9AI-10	93188			
SM 510 R		510	1	-		0.6	CR8EB	7784			
TC 510		510	1	-		0.6	CR8EB	7784			
TE 510		510	1	-		0.9	DP8EA-9	5829		DPR8EIX-9	2202
TE 510		510	1	2005-		0.7	CR8EB	7784			
TE 510 Centennial		510	1	-		0.6	CR8EB	7784			
SM 530 RR		530	1	2008-		0.6	CR8EB	7784			
SM 530 RR		530	1	2009-		0.8	CR9EKB	2305			
SM 570 R		570	1	2001-		0.7	C7E	5096		CR7EIX	7385
SM 570 R		570	1	2002-2004		0.6	C7E	5096		CR7EIX	7385
SM 570 R		570	1	2004-	Competition Plug	0.5	C8E	7471		CR8EIX	4218
SMR 570		570	1	2003-		0.6	CR7EB	4663			
SMR 570 NOX		570	1	2002-		1.1	R0045Q-10	4216			
SMR 570 NOX Super Motard		570	1	2001-		0.7	C7E	5096		CR7EIX	7385
TC 570		576	1	2001-		0.7	CR7EB	4663			
TE 570		576	1	2001-		0.7	CR7EB	4663			
SMS 600 ie		600	1	2011-		0.7	CR8EB	7784			
TE 600 ie		600	1	2011-		0.7	CR8EB	7784			
LT 610		610	1	2000-		0.6	C7E	5096		CR7EIX	7385
SM 610		610	1	2006-		0.7	CPR8E	7411			
SM 610 E		610	1	1998-		0.7	C7E	5096		CR7EIX	7385

*Bitte Elektrodenabstand nach Angaben des Herstellers justieren

*Please adjust the ground electrode gap

*Veuillez vérifier l'écartement

* Por favor, ajustar la distancia entre los electrodos

*Regolare il gap

** Iridium IX Spark Plug is the standard recommendation





Stock No.

Quick No.

Upgrade ↑

Stock No. ↑

HUSQVARNA

SM 610 ie		610	1	2009-		0.7	CPR8E	7411			
SM 610 R		610	1	2000-		0.7	C7E	5096		CR7EIX	7385
SM 610 S		610	1	1998-		0.7	C7E	5096		CR7EIX	7385
SM 610 S		610	1	2003-		0.7	C7E	5096		CR7EIX	7385
SM 610 S Competition		610	1	2003-	Competition Plug	0.5	C8E	7471		CR8EIX	4218
SM 610 S Standard		610	1	1998-2005	Standard Plug	0.6	CR7E	4578	Q225	CR7EIX	7385
TC 610 E		610	1	1998-		0.7	C7E	5096		CR7EIX	7385
TE 610		610	1	-		0.7	CPR8E	7411			
TE 610 E		610	1	1998-		0.7	C7E	5096		CR7EIX	7385
TE 610 E		610	1	1998-2005		0.6	CR7E	4578	Q225	CR7EIX	7385
TE 610 ie		610	1	2009-		0.7	CPR8E	7411			
SM 630		630	1	2009-		0.6	CR8EB	7784			
SMR 630		630	1	2004-		1.1	R0045Q-10	4216			
SMR 630		630	1	2010-		0.6	CR8EB	7784			
TE 630		630	1	2010-		0.6	CR8EB	7784			
TR 650 Strada		650	1	2012-	Twin Spark	0.8	MAR9A-J	6869			
TR 650 Strada		650	1	2013-	58hp	0.6	MAR9A-6J	91321			
TR 650 Terra		650	1	2012-	Twin Spark	0.8	MAR9A-J	6869			
TR 650 Terra		650	1	2013-	58hp	0.9	MAR9A-6J	91321			
701 Enduro		701	1	2016-2016	Twin Spark 67hp	0.9	LKAR8BI9 LMAR7A-9	1553 4908			
701 Enduro		701	1	2017-	Twin Spark 74hp	1.0	LKAR9BI-10 LMAR7Df-10	95371 96956			
701 Supermoto		701	1	2016-2016	Twin Spark 67hp	0.9	LKAR8BI9 LMAR7A-9	1553 4908			
701 Supermoto		701	1	2017-	Twin Spark 74hp	1.0	LKAR9BI-10 LMAR7Df-10	95371 96956			
Vitpilen 701		701	1	2018-	Twin Spark 75hp	1.0	LKAR9BI-10 LMAR7Df-10	95371 96956			
Nuda 900		898	2	2012-		0.9	LMAR8C-9	93833			
Nuda 900 R		898	2	2012-		0.9	LMAR8C-9	93833			

HYMOTO

HY 50		50		-		0.7	C7HSA	4629		CR7HIX	7544
MP DB701		50		-		0.7	BPM7A	7321			
HY 70		70		-		0.7	C7HSA	4629		CR7HIX	7544
HY 90		90		-		0.7	C7HSA	4629		CR7HIX	7544
HY 110		110		-		0.7	C7HSA	4629		CR7HIX	7544
HY 125		125		-		0.7	C7HSA	4629		CR7HIX	7544
HY 125 S		125		-		0.7	C7HSA	4629		CR7HIX	7544

HYOSUNG

SB 50 Cab	SB50G	50	1	1995-		0.6	BP6HS	4511		BPR6HIX	4085
SB 50 Gamma	SB50G	50	1	1997-		0.6	BP6HS	4511		BPR6HIX	4085
SB 50 Plus & M	SB50G	50	1	-		0.6	BP6HS	4511		BPR6HIX	4085
SD 50 Avanti	SD50	50	1	1999-		0.6	BP6HS	4511		BPR6HIX	4085
SD 50 Sense	SD50	50	1	-		0.6	BP6HS	4511		BPR6HIX	4085
SF 50	SF	50	1	1999-		0.6	BR8HSA	5539			
SF 50 B Prima	SF	50	1	-		0.6	BR8HSA	5539			
SF 50 Racing	SF	50	1	-		0.6	BR8HSA	5539			
SF Rally 50	SF	50	1	2004-		0.6	BR8HSA	5539			
EZ 100 M	EZ100	100	1	-		0.6	BP7HS	5111		BPR7HIX	5944
EZ 100 Supercab	EZ100	100	1	1997-		0.6	BP7HS	5111		BPR7HIX	5944
FX 110		110	1	-		0.7	C6HSA	3228		CR6HIX	7274
FX 110 DLX Midas		110	1	1999-		0.7	C6HSA	3228		CR6HIX	7274
Boomer 125 Exceed MS1	CF42A	125	1	2002-		0.6	DR8EA	7162		DR8EIX	6681

*Bitte Elektrodenabstand nach Angaben des Herstellers justieren

*Please adjust the ground electrode gap

*Veuillez vérifier l'écartement

* Por favor, ajustar la distancia entre los electrodos

*Regolare il gap

* Iridium IX Spark Plug is the standard recommendation





Stock No.

Quick No.

Upgrade ↑

Stock No. ↑

HYOSUNG

GA 125 Cruise II Classic (CLS)	KM4MF47A	125	1	1999-		0.9	CR8EH-9	5666	Q228	CR8EHIX-9	3797
GA 125 Cruise III		125	1	2000-		0.9	CR8EH-9	5666	Q228	CR8EHIX-9	3797
GF 125 I	NF47A	125	1	1998-		0.9	CR8EH-9	5666	Q228	CR8EHIX-9	3797
GF 125 II	NF47A	125	1	1998-		0.9	CR8EH-9	5666	Q228	CR8EHIX-9	3797
GPS 125 Grand Prix	CF41	125	1	-		0.6	DR8EA	7162		DR8EIX	6681
GPS 125 Grand Prix Plus	CF41	125	1	1999-2005		0.7	DR8EA	7162		DR8EIX	6681
GPS 125 Grand Prix Plus 2	CF41	125	1	2001-		0.6	DR8EA	7162		DR8EIX	6681
GPS 125 Hyper	GPS125	125	1	1998-		0.6	DR8EA	7162		DR8EIX	6681
GS 125 Cruise I	NF41A	125	1	1996-1996		0.6	D8EA	2120	Q216	DR8EIX	6681
GS 125 Cruise I	NF41A	125	1	1997-		0.6	DR8EA	7162		DR8EIX	6681
GS 125 Cruise II		125	1	1997-		0.9	CR8EH-9	5666	Q228	CR8EHIX-9	3797
GT 125	KM4MF51	125	1	2003-		0.6	CR8E	4854	Q226	CR8EIX	4218
GT 125	KM4MF51	125	1	2005-		0.9	CR8EH-9	5666	Q228	CR8EHIX-9	3797
GT 125 Comet		125	2	2001-		0.7	CR8E	4854	Q226	CR8EIX	4218
GT 125 Naked		125	1	2001-		0.6	CR8E	4854	Q226	CR8EIX	4218
GT 125 R	KM4MF51	125	1	2005-		0.9	CR8EH-9	5666	Q228	CR8EHIX-9	3797
GT 125 R		125	2	2006-		0.6	CR8E	4854	Q226	CR8EIX	4218
GT 125 R TTC	KM4MF52	125	1	2007-		0.6	CR8E	4854	Q226	CR8EIX	4218
GV 125 Aquila	KM4MF51	125	2	2000-		0.6	CR8E	4854	Q226	CR8EIX	4218
GV 125 C	KM4MF53	125	2	2008-		0.8	CR8E	4854	Q226	CR8EIX	4218
GV 125 M Cruiser	KM4MF52	125	2	2007-		0.6	CR8E	4854	Q226	CR8EIX	4218
HD 125 Hyper		125		2004-2006		0.8	DR8EA	7162		DR8EIX	6681
MS3 125 i	KM4CF41	125	1	2007-		0.8	CR8E	4854	Q226	CR8EIX	4218
RT 125 D	KM4SF42A	125	1	2007-	DOHC	0.8	CR8E	4854	Q226	CR8EIX	4218
RT 125 D Karion	KM4SF42A	125	1	2007-		0.9	CR8EH-9	5666	Q228	CR8EHIX-9	3797
RT 125 Karion	KM4SF41A	125	1	2002-2006		0.9	CR8EH-9	5666	Q228	CR8EHIX-9	3797
RT 125 Karion	KM4SF42A	125	1	2010-		0.9	CR8EH-9	7473		CR8EHIX-9	3797
RX 125		125	1	2000-2007	OHC	0.9	CR8EH-9	5666	Q228	CR8EHIX-9	3797
RX 125 D	KM4PF42	125	1	2007-		0.9	CR8EH-9	5666	Q228	CR8EHIX-9	3797
RX 125 D E		125	1	2007-	DOHC	0.8	CR8E	4854	Q226	CR8EIX	4218
RX 125 D SM		125	1	2007-	DOHC	0.8	CR8E	4854	Q226	CR8EIX	4218
RX 125 SM	KM4PF42	125	1	2010-		0.9	CR8EH-9	5666	Q228	CR8EHIX-9	3797
XRX 125 Funduro		125	1	2010-		0.7	CR8E	4854	Q226	CR8EIX	4218
XRX 125 Supermoto		125	1	2010-		0.7	CR8E	4854	Q226	CR8EIX	4218
XRX 125 Trail		125	1	1999-		0.9	CR8EH-9	5666	Q228	CR8EHIX-9	3797
GT 250	KM4MJ51B	250	2	2005-		0.7	CR8E	4854	Q226	CR8EIX	4218
GT 250 Comet		250	2	2008-		0.8	CR8E	4854	Q226	CR8EIX	4218
GT 250 EFI		250	2	2008-		0.8	CR8E	4854	Q226	CR8EIX	4218
GT 250 R		250	2	2006-2008		0.8	CR8E	4854	Q226	CR8EIX	4218
GT 250 R EFI		250	2	2008-		0.8	CR8E	4854	Q226	CR8EIX	4218
GV 250 Aquila		250	2	2000-		0.8	CR8E	4854	Q226	CR8EIX	4218
GV 250 Aquila		250	2	2008-		0.8	CR8E	4854	Q226	CR8EIX	4218
GV 250 Aquila 8V	GV50	250	2	2000-		0.6	CR8E	4854	Q226	CR8EIX	4218
GV 250 EFI		250	2	2008-		0.8	CR8E	4854	Q226	CR8EIX	4218
MS3 250 i	KM4CJ41A	250	1	2007-		0.8	CR8E	4854	Q226	CR8EIX	4218
GT 650	KM4MP51A	650	2	2005-		0.7	CR8E	4854	Q226	CR8EIX	4218
GT 650 Comet		650	2	2003-		0.8	CR8E	4854	Q226	CR8EIX	4218
GT 650 Comet	KM4MP51A	650	2	2007-		0.8	CR8E	4854	Q226	CR8EIX	4218
GT 650 Comet	KM4MP54	650	2	2008-		0.8	CR8E	4854	Q226	CR8EIX	4218
GT 650 EFI	KM4MP54	650	2	2008-		0.8	CR8E	4854	Q226	CR8EIX	4218
GT 650 i Naked	KM4MP54A	650	2	2007-		0.6	CR8E	4854	Q226	CR8EIX	4218

*Bitte Elektrodenabstand nach Angaben des Herstellers justieren

*Please adjust the ground electrode gap

*Veuillez vérifier l'écartement

* Por favor, ajustar la distancia entre los electrodos

*Regolare il gap

** Iridium IX Spark Plug is the standard recommendation





Stock No.

Quick No.

Upgrade ↑

Stock No. ↑

HYOSUNG

GT 650 i R	KM4MP54C	650	2	2007-		0.6	CR8E	4854	Q226	CR8EIX	4218
GT 650 N		650	2	2012-		0.8	CR8E	4854	Q226	CR8EIX	4218
GT 650 Naked	KM4MP51A	650	2	2004-		0.6	CR8E	4854	Q226	CR8EIX	4218
GT 650 R	KM4MP51C	650	2	2005-2006		0.7	CR8E	4854	Q226	CR8EIX	4218
GT 650 R EFI	KM4MP58C	650	2	2008-		0.8	CR8E	4854	Q226	CR8EIX	4218
GT 650 S	KM4MP51B	650	2	2005-2006		0.7	CR8E	4854	Q226	CR8EIX	4218
GT 650 X		650	2	2008-		0.7	CR8E	4854	Q226	CR8EIX	4218
GV 650	KM4VP51	650	2	2006-		0.7	CR8E	4854	Q226	CR8EIX	4218
GV 650 Aquila	KM4VP51	650	2	2006-2008		0.8	CR8E	4854	Q226	CR8EIX	4218
GV 650 Aquila	KM4VP55A	650	2	2008-		0.8	CR8E	4854	Q226	CR8EIX	4218
GV 650 EFI	KM4VP55A	650	2	2008-		0.8	CR8E	4854	Q226	CR8EIX	4218
GV 650i Sportcruiser	KM4VP51A	650	2	2007-		0.6	CR8E	4854	Q226	CR8EIX	4218
GV 700 C EFI		680	2	2010-		0.8	CR8E	4854	Q226	CR8EIX	4218
ST 700 i	KM4VR51A	700	2	2010-		0.6	CR8E	4854	Q226	CR8EIX	4218

INDIAN

Scout Sixty		1000	2	2016-2018	78hp	0.8	MR7F	95897			
Scout		1130	2	2016-2018	102hp	0.8	MR7F	95897			
Scout Bobber		1130	2	2018-2018		0.8	MR7F	95897			
Chief		1450	2	1999-2001		1.1	BPR5ES-11	4424		BPR5EIX-11	2115
Scout		1450	2	2001-		1.1	BPR5ES-11	4424		BPR5EIX-11	2115
Spirit		1450	2	2001-		1.1	BPR5ES-11	4424		BPR5EIX-11	2115
Chief		1650	2	2002-		1.1	BPR5ES-11	4424		BPR5EIX-11	2115
Chief		1800	2	2017-2018	84hp	0.9	DCPR8E	4179		DCPR8EIX	6546
Chief Classic		1800	2	2016-2016	84hp	0.9	DCPR8E	4179		DCPR8EIX	6546
Chief Dark Horse		1800	2	2016-2016	84hp	0.9	DCPR8E	4179		DCPR8EIX	6546
Chieftain		1800	2	2016-2018	84hp	0.9	DCPR8E	4179		DCPR8EIX	6546
Chieftain Dark Horse		1800	2	2016-2018	84hp	0.9	DCPR8E	4179		DCPR8EIX	6546
Chieftain Elite		1800	2	2017-2017	84hp	0.9	DCPR8E	4179		DCPR8EIX	6546
Chieftain Limited		1800	2	2017-2018	84hp	0.9	DCPR8E	4179		DCPR8EIX	6546
Chief Vintage		1800	2	2016-2016	84hp	0.9	DCPR8E	4179		DCPR8EIX	6546
Roadmaster		1800	2	2016-2018	84hp	0.9	DCPR8E	4179		DCPR8EIX	6546
Roadmaster Classic		1800	2	2017-2018	84hp	0.9	DCPR8E	4179		DCPR8EIX	6546
Roadmaster Elite		1800	2	2018-2018	84hp	0.9	DCPR8E	4179		DCPR8EIX	6546
Springfield		1800	2	2016-2018	84hp	0.9	DCPR8E	4179		DCPR8EIX	6546
Springfield Dark Horse		1800	2	2018-2018	84hp	0.9	DCPR8E	4179		DCPR8EIX	6546
Dakota 4		1850	4	2003-		0.6	BPR6HS BPR7HS	7022 6422		BPR6HIX BPR7HIX	4085 5944
Dakota 4 Classic		1850	4	2003-		0.6	BPR7HS BPR6HS	6422 7022		BPR7HIX BPR6HIX	5944 4085
Dakota 4 Highway		1850	4	2003-		0.6	BPR6HS BPR7HS	7022 6422		BPR6HIX BPR7HIX	4085 5944
Dakota 4 si		1850	4	2003-		0.6	BPR6HS BPR7HS	7022 6422		BPR6HIX BPR7HIX	4085 5944

ITALJET

Ascot 50		50	1	-		0.6	BP7HS	5111		BPR7HIX	5944
Bazooka		50	1	-		0.6	BP7HS	5111		BPR7HIX	5944
Bazooka II		50	1	-		0.6	BP7HS	5111		BPR7HIX	5944
Cruise		50	1	-		0.6	BP6HS	4511		BPR6HIX	4085
Dragster 50		50	1	1996-1997		0.6	BPR8HS	3725		BPR8HIX	6742
Dragster 50		50	1	1997-1998		0.6	BPR8HS	3725		BPR8HIX	6742
Dragster 50	ZJTDRG000	50	1	1998-		0.6	B7HS	5110		BR7HIX	7067
Dragster 50	ZJTDRG000	50	1	1998-		0.6	BR8HS	4915	Q212	BR8HIX	7001
Dragster 50 Café racer		50	1	1998-		0.6	BR8HS	4915	Q212	BR8HIX	7001

* Bitte Elektrodenabstand nach Angaben des Herstellers justieren

* Please adjust the ground electrode gap

* Veuillez vérifier l'écartement

* Por favor, ajustar la distancia entre los electrodos

* Regolare il gap

* Iridium IX Spark Plug is the standard recommendation





Stock No.

Quick No.

Upgrade ↑

Stock No. ↑

ITALJET

Fastboy		50	1	1998-		0.6	BR7HS	4737		BR7HIX	7067
Formula 50		50	1	1995-		0.6	BPR6HS	7022		BPR6HIX	4085
Formula 50		50	1	1996-		0.6	BPR6HS	7022		BPR6HIX	4085
Formula 50		50	1	1998-	Air	0.6	BR7HS	4737		BR7HIX	7067
Formula 50		50	1	1998-	Water fluid	0.6	BR8HS	4915	Q212	BR8HIX	7001
Formula 50		50	1	1999-	Air	0.6	BR8HS	4915	Q212	BR8HIX	7001
Jet-Set 50 2T		50	1	2001-2004		0.7	BR9ES	5722		BR9EIX	3981
Pista 50 Pista II		50	1	1995-		0.6	BP7HS	5111		BPR7HIX	5944
Pulce		50	1	-		0.5	B6HS	4510		BR6HIX	3419
Reporter		50	1	-		0.6	BP7HS	5111		BPR7HIX	5944
Scoop 50		50	1	-		0.6	BP7HS	5111		BPR7HIX	5944
Sunny 50		50	1	-		0.6	BP6HS	4511		BPR6HIX	4085
Tiffany		50	1	-		0.5	B5HS	4210			
Torpedo 25		50	1	1997-		0.6	BPR8HS	3725		BPR8HIX	6742
Torpedo 4T		50	1	-		0.6	CR7E	4578	Q225	CR7EIX	7385
Torpedo 50		50	1	1997-2004		0.6	BPR6HS	7022		BPR6HIX	4085
Torpedo 50		50	1	1998-		0.6	BR7HS	4737		BR7HIX	7067
Torpedo 50 2T		50	1	-	Italy	0.6	B7HS	5110		BR7HIX	7067
Torpedo T50		50	1	1997-2004		0.6	BPR6HS	7022		BPR6HIX	4085
Velocifero		50	1	-1997		0.7	BPR6HS	7022		BPR6HIX	4085
Velocifero		50	1	1998-		0.6	BR8HS	4915	Q212	BR8HIX	7001
Winner		50	1	-		0.5	B5HS	4210			
Yankee 50		50	1	-		0.6	BP7HS	5111		BPR7HIX	5944
Millenium 100		100	1	-		0.6	BR7HS	4737		BR7HIX	7067
Dragster 125	DR5010	125	1	1997-1997		0.6	B7HS	5110		BR7HIX	7067
Dragster 125	DR5010	125	1	1998-2004		0.6	BR9ES	5722		BR9EIX	3981
Dragster 125	DR5010	125	1	2000-		0.7	BP7HS	5111		BPR7HIX	5944
Formula 125	ZJTFR2000	125	1	-	Water fluid	0.6	BR7HS	4737		BR7HIX	7067
Formula 125	ZJTFR2000	125	1	1997-1998		0.6	B7HS	5110		BR7HIX	7067
Formula 125	ZJTFR2000	125	1	1998-		0.6	BR8HS	4915	Q212	BR8HIX	7001
Jet-Set 125 4T		125	1	-		0.6	CR7E	4578	Q225	CR7EIX	7385
Jupiter 125		125	1	-		0.7	CR8E	4854	Q226	CR8EIX	4218
Millenium 125 4T	FC	125	1	1999-		0.7	CR8E	4854	Q226	CR8EIX	4218
Super Range		125	1	-		0.5	B7HS	5110		BR7HIX	7067
Torpedo 125 4T		125	1	1998-		0.7	CR7E	4578	Q225	CR7EIX	7385
Union 125		125	1	1998-		0.5	BP7HS	5111		BPR7HIX	5944
Jet-Set 150 4T		150	1	-		0.6	CR7E	4578	Q225	CR7EIX	7385
Jupiter 150		150	1	-		0.7	CR8E	4854	Q226	CR8EIX	4218
Millenium 150		150	1	-		0.7	CR8E	4854	Q226	CR8EIX	4218
Torpedo 150 4T		150	1	1999-		0.7	CR8EB	7784			
Dragster 180		180	1	1998-		0.6	BR9ES	5722		BR9EIX	3981
Jupiter 250		250	1	-		0.6	DR8EA	7162		DR8EIX	6681
Millenium 250		250	1	1999-		0.6	DR8EA	7162		DR8EIX	6681

ITTECO

Hornet		50	1	-		0.6	BP6HS	4511		BPR6HIX	4085
--------	--	----	---	---	--	-----	-------	------	--	---------	------

IZH

6.113.6.114		347	2	-	24hp	0.7	BP6HS	4511		BPR6HIX	4085
6.113-01		347	2	-	24hp	0.7	BP6HS	4511		BPR6HIX	4085
7.107		347	2	-	22hp	0.7	BP7HS	5111		BPR7HIX	5944
Planeta		347	2	-	20hp	0.7	BP7HS	5111		BPR7HIX	5944
Planeta		347	2	-	18hp	0.7	BP7HS	5111		BPR7HIX	5944

* Bitte Elektrodenabstand nach Angaben des Herstellers justieren

* Please adjust the ground electrode gap

* Veuillez vérifier l'écartement

* Por favor, ajustar la distancia entre los electrodos

* Regolare il gap

** Iridium IX Spark Plug is the standard recommendation





Stock No.

Quick No.

Upgrade ↑

Stock No. ↑

JAWA

210 Babetta		50	1	-		0.6	B5HS	4210			
Betka 50		50	1	2006-		0.6	C7HSA	4629		CR7HIX	7544
Jazz		50	1	-		0.5	B6HS	4510		BR6HIX	3419
Jive		50	1	-		0.5	B6HS	4510		BR6HIX	3419
MJ50		50	1	-		0.5	B6HS	4510		BR6HIX	3419
MJ50 K'start		50	1	-		0.5	B6HS	4510		BR6HIX	3419
MJ50 Korado Basic		50	1	-		0.5	B6HS	4510		BR6HIX	3419
MJ50 Lux		50	1	-		0.5	B6HS	4510		BR6HIX	3419
Moped		50	1	-		0.5	B8HS	5510		BR8HIX	7001
Dakar 125		125	1	2003-		0.7	D8EA	2120	Q216	DR8EIX	6681
Dandy 125		125	1	1999-		0.7	D8EA	2120	Q216	DR8EIX	6681
Dandy 125		125	1	2000-		0.8	DR8ES	5423	Q217	DR8EIX	6681
Sport 125		125	1	2003-		0.7	D8EA	2120	Q216	DR8EIX	6681
350 Style		350	2	1993-		0.5	B8HS	5510		BR8HIX	7001
640		350	2	-		0.6	B6HS	4510		BR6HIX	3419
Chopper 350		350	2	-		0.5	B8HS	5510		BR8HIX	7001
Scot 'Sabater 350		350	2	2000-		0.5	B8HS	5510		BR8HIX	7001
Style 350		350	2	-		0.5	B8HS	5510		BR8HIX	7001
Twin Sport		350	2	-		0.5	B8HS	5510		BR8HIX	7001
Classic 650		650	2	2004-		0.7	DR8EA	7162		DR8EIX	6681
Dakar 650		650	2	2006-		0.7	DR8EA	7162		DR8EIX	6681
Style 650		650	2	2004-		0.7	DR8EA	7162		DR8EIX	6681

JIALING

CJ F		50	1	-		0.7	BPR6HS	7022		BPR6HIX	4085
CJ K		50	1	-		0.7	BPR6HS	7022		BPR6HIX	4085
JD		50	1	1997-		0.6	BPR6HSA	4632		BPR6HIX	4085
JH		50	1	1995-		0.7	C7HSA	4629		CR7HIX	7544
JL		50	1	1997-		0.6	BPR6HSA	4632		BPR6HIX	4085
LX		50	1	-		0.7	BPR6HSA	4632		BPR6HIX	4085
QM		50	1	-		0.7	BPR4HS	7823			
TA 55		50	1	-		0.7	BPR6HSA	4632		BPR6HIX	4085
CJ		70	1	-		0.7	CR7HSA	4549		CR7HIX	7544
JD		70	1	1994-		0.7	C7HSA	4629		CR7HIX	7544
JH		70	1	1994-		0.7	C7HSA	4629		CR7HIX	7544
JH		90	1	1994-		0.7	C6HSA	3228		CR6HIX	7274
K		90	1	-		0.7	BP7HS	5111		BPR7HIX	5944
K		100	1	-		0.7	BP7HS	5111		BPR7HIX	5944
QM		100	1	-		0.7	BP7HS	5111		BPR7HIX	5944
JH		125	1	1994-		0.7	DR8ES-L	2923	Q218	DR9EIX	4772
Sanyang Duke		125	1	-		0.9	DPR7EA-9	5129	Q220	DPR7EIX-9	7803
Sanyang Wolf		125	1	-		0.7	DR8ES-L	2923	Q218	DR9EIX	4772

JIANSHE

JS125Y Tiger		125	1	2003-		0.7	DR8ES	5423	Q217	DR8EIX	6681
---------------------	--	-----	---	-------	--	-----	-------	------	------	--------	------

JINCHENG

JC 50 Q		50	1	-		0.6	C7HSA	4629		CR7HIX	7544
JC 50 Q-7		50	1	-		0.6	C7HSA	4629		CR7HIX	7544
TR 36 L		50	1	-		0.6	C7HSA	4629		CR7HIX	7544
CJ 70 A		70	1	-		0.7	CR6HSA	2983		CR6HIX	7274
JC 90		90	1	-		0.7	CR6HSA	2983		CR6HIX	7274
JC 90-2B		90	1	-		0.7	CR6HSA	2983		CR6HIX	7274
JC 100-7 Cruiser		100	1	-		0.6	C7HSA	4629		CR7HIX	7544

*Bitte Elektrodenabstand nach Angaben des Herstellers justieren

*Please adjust the ground electrode gap

*Veuillez vérifier l'écartement

* Por favor, ajustar la distancia entre los electrodos

*Regolare il gap

* Iridium IX Spark Plug is the standard recommendation





Stock No.

Quick No.

Upgrade ↑

Stock No. ↑

JINCHENG

JC 125-3A		125	1	-		0.7	D8EA	2120	Q216	DR8EIX	6681
JC 125-7B		125	1	-		0.7	D8EA	2120	Q216	DR8EIX	6681
JC 125-A		125	1	-		0.7	D8EA	2120	Q216	DR8EIX	6681

JINLUN

JL50QT		50	1	-		0.7	CR7HSA	4549		CR7HIX	7544
Hornet 125		125	1	-		0.7	CR7HSA	4549		CR7HIX	7544
JL125-11		125	1	-		0.7	CR7HSA	4549		CR7HIX	7544
JL125-13		125	1	-		0.7	CR7HSA	4549		CR7HIX	7544
JL125-C		125	1	-		0.7	CR7HSA	4549		CR7HIX	7544
JL125-T		125	1	-		0.7	CR7HSA	4549		CR7HIX	7544
JL125-Y		125	1	-		0.7	CR7HSA	4549		CR7HIX	7544
JL150		150	1	-		0.7	D8EA	2120	Q216	DR8EIX	6681
JL250		250	2	-		0.7	CR7HSA	4549		CR7HIX	7544

JMSTAR

CJ12M		125	1	-		0.7	C7HSA	4629		CR7HIX	7544
-------	--	-----	---	---	--	-----	-------	------	--	--------	------

JONWAY

Madness 50		50	1	-		0.7	C7HSA	4629		CR7HIX	7544
Adventure 125		125	1	2009-		0.7	C7HSA	4629		CR7HIX	7544
YY 125 T		125	1	2009-		0.8	CR7HSA	4549		CR7HIX	7544

JOTAGAS

JT 125	JT	125		-		*	BPMP6A	6726			
JT 250	JT	250		-		*	BPMP6A	6726			
JT 280	JT	280		-		*	BPMP6A	6726			

KAWASAKI

AR 50 A	AR050A	50	1	1993-1995		0.8	BR8ES	5422	Q207	BR8EIX	5044
KDX50		50	1	2003-2006	Constr.Code A1-3, A6F	0.7	BPR4HS	7823			
KMX 50		50	1	1993-1994		0.8	BR8ES	5422	Q207	BR8EIX	5044
KX 60 B	KX60B	60	1	1994-1994	Constr.Code 10	0.7	BR9EG	3230			
KX 60 B	KX065A	60	1	1995-2002	Constr.Code 11>18	0.7	BR9EG	3230			
KX 65 A	KX065A	65	1	2001-2005	Constr.Code 1>6	0.6	BR10EG	3830			
KX 65 A	KX065A	65	1	2006-2015	Constr.Code 6F>9F	0.7	BR10EG	3830			
KX 65 A	KX065A	65	1	2009-2009	Constr.Code 9F	0.7	BR10EG	3830			
KX 65 A	KX065A	65	1	2011-		0.6	BR10EG	3830			
KMX 80		80	1	1993-1995		0.8	BR8ES	5422	Q207	BR8EIX	5044
KX 80		80	1	1997-1999	Constr.Code 7>9	0.6	R6252K-105	2741			
KX 80 II		80	1	1997-1999		0.6	R6252K-105	2741			
KX 80 R		80	1	1992-1996	Constr.Code 2>6	0.6	R6252K-105	2741			
KX 80 R		80	1	1996-1997	Constr.Code 6-7	0.8	R6252K-105	2741			
KX 80 R Big Wheel	KX80-R	80	1	1992-1994		0.8	R6252K-105	2741			
KX 80 T		80	1	1992-1994	Constr.Code 2-4	0.7	R6254K-105	4076			
KX 80 T Big Wheel	KX80-T	80	1	1992-1994		0.7	R6254K-105	4076			
KX 80 W		80	1	1998-2000	Constr.Code 1-3	0.8	R6252K-105	2741			
KX 85 A		85	1	2001-2013	Constr.Code 1>5 / 6F/7F/8F/9F/AF/BF/CF/DF	0.8	R6252K-105	2741			
KX 85 B		85	1	2007-2013	Constr.Code 7F/8F/9F/AF/BF/CF/DF	0.8	R6252K-105	2741			
KX 85 II	KX085D	85	1	2014-		0.8	R6252K-105	2741			
KE 100 B	G5	100	1	1996-2001	Constr.Code 15>20	0.7	BR8ES	5422	Q207	BR8EIX	5044
KX 100 B		100	1	1992-1997	Constr.Code 2>7	0.7	R6254K-105	4076			

*Bitte Elektrodenabstand nach Angaben des Herstellers justieren

*Please adjust the ground electrode gap

*Veuillez vérifier l'écartement

* Por favor, ajustar la distancia entre los electrodos

*Regolare il gap

**Iridium IX Spark Plug is the standard recommendation





Stock No.

Quick No.

Upgrade ↑

Stock No. ↑

KAWASAKI

KX 100 C		100	1	1998-2000	Constr.Code 1>3	0.7	R6252K-105	2741			
KX 100 D		100	1	2001-2005	Constr.Code 1>5	0.7	R6252K-105	2741			
KX 100 D		100	1	2009-2009	Constr.Code 9FA	0.7	R6252K-105	2741			
KX 100-D		100	1	2006-2013	Constr.Code 6F>9F, AF>DF	0.7	R6252K-105	2741			
KX 100 F		100	1	2006-2015	Constr.Code F>FF	0.7	R6252K-105	2741			
KX 100 F		100	1	2014-2015	Constr.Code F>FF	0.7	R6252K-105	2741			
AN 112	SDF	110	1	2013-2013		0.7	C6HSA	3228		CR6HIX	7274
AN 112 D		110	1	2008-2011	Constr.Code 8F>BF	0.7	C6HSA	3228		CR6HIX	7274
AN 112 Edge R	RCF / SCF	110	1	2012-2012		0.7	C6HSA	3228		CR6HIX	7274
AN 112 Edge VR	RCF / SCF	110	1	2012-2012		0.7	C6HSA	3228		CR6HIX	7274
KAZE 110		110	1	1995-2000		0.7	C6HSA	3228		CR6HIX	7274
KLX 110		110	1	2007-		0.7	CR6HSA	2983		CR6HIX	7274
KLX 110 A	LX110A	110	1	2002-2009	Constr.Code 1>4 / 6F>9F	0.7	CR6HSA	2983		CR6HIX	7274
KLX 110 C	LX110C	110	1	2010-2014	Constr.Code AF>EF	0.7	CR6HSA	2983		CR6HIX	7274
KLX 110L		110	1	2010-2014	Constr.Code AF>EF	0.7	CR6HSA	2983		CR6HIX	7274
KLX 110 Monster Energy	LX110A	110	1	2009-2009	Constr.Code 9F	0.7	CR6HSA	2983		CR6HIX	7274
KLX 111 Monster Energy	LX110A	110	1	2009-2009	Constr.Code 9F	0.7	CR6HSA	2983		CR6HIX	7274
KLX 140L Monster Energy	LX110A	110	1	2009-2009	Constr.Code 9F	0.7	CR6HSA	2983		CR6HIX	7274
KLX 140 Monster Energy	LX110A	110	1	2009-2009	Constr.Code 9F	0.7	CR6HSA	2983		CR6HIX	7274
KSR 110		110	1	2003-		0.6	CR6HSA	2983		CR6HIX	7274
BN 125	BN125A	125	1	1998-		0.8	CR7E	4578	Q225	CR7EIX	7385
BN 125 A Eliminator	BN125A	125	1	2001-2007	Constr.Code 4-8, 6F-7F	0.8	CR7E	4578	Q225	CR7EIX	7385
BN 125 Eliminator	BN125A	125	1	1997-		0.6	CR8E	4854	Q226	CR8EIX	4218
J 125	SC125	125	1	2016-	13hp OHC	0.8	CR7E	4578	Q225	CR7EIX	7385
KH 125	KH125	125	1	1993-1995		0.8	BR8ES	5422	Q207	BR8EIX	5044
KLX 125 A	LX125A	125	1	2003-2006	Constr.Code 1>4	0.6	DR8EA	7162		DR8EIX	6681
KLX 125 C	LX125CC	125	1	2010-		0.8	CR7HSA	4549		CR7HIX	7544
KLX 125 D D-Tracker	LX125CD	125	1	2010-		0.8	CR7HSA	4549		CR7HIX	7544
KLX 125 L	LX125B	125	1	2003-2006	Constr.Code 1>4	0.6	DR8EA	7162		DR8EIX	6681
KX 125 J		125	1	1992-1993	Constr.Code 1 >2	0.6	R7376-10	4457			
KX 125 K	KXRK1R	125	1	1994-1994	Constr.Code 1	0.6	BR9EIX**	3981			
KX 125 K	KXRK1S	125	1	1995-1996	Constr.Code 2>3	0.6	BR9EIX**	3981			
KX 125 K	KXEK1V	125	1	1997-1997	Constr.Code 4	0.8	R6252K-105	2741			
KX 125 K	KXRKCW	125	1	1998-1998	Constr.Code 5	0.6	BR9EIX**	3981			
KX 125 L	KX125L	125	1	1999-1999	Constr.Code 1	0.6	BR9EIX**	3981			
KX 125 L	KX125L	125	1	2000-2001	Constr.Code 2>3	0.6	BR9EIX**	3981			
KX 125 L	KX125L	125	1	2002-2002	Constr.Code 4	0.6	BR9EIX**	3981			
KX 125 M	KX125M	125	1	2003-2003	Constr.Code 1	0.8	BR9EIX**	3981			
KX 125 M	KX125M	125	1	2004-2004	Constr.Code 2	0.6	R6918B-9	2954			
KX 125 M	KX125M	125	1	2005-2005	Constr.Code 3	0.6	R6918B-9	2954			
KX 125 M	KX125M	125	1	2006-	Constr.Code 6	0.8	BR9ECMIX**	2707			
KLX 140 A	KLX140A	140	1	2008-2015	Constr.Code 8F-9F / AF-FF	0.8	CR7HSA	4549		CR7HIX	7544
KLX 140 L	KLX140B	140	1	2008-2015	Constr.Code 8F-9F / AF-FF	0.8	CR7HSA	4549		CR7HIX	7544
KDX 200 H		200	1	1995-2006	Constr.Code 1>11 / 6F	0.8	BR8ES	5422	Q207	BR8EIX	5044
KDX 220 A		220	1	1997-2000	Constr.Code 4>7	0.7	BR8ES	5422	Q207	BR8EIX	5044
KDX 220 A		220	1	2001-2005	Constr.Code 8>12	0.7	BR8ES	5422	Q207	BR8EIX	5044
KDX 220 R		220	1	1997-2005		0.8	BR8ES	5422	Q207	BR8EIX	5044
BJ 250	BJ250A	250	1	1993-		0.7	DR8ES	5423	Q217	DR8EIX	6681

*Bitte Elektrodenabstand nach Angaben des Herstellers justieren

*Please adjust the ground electrode gap

*Veuillez vérifier l'écartement

* Por favor, ajustar la distancia entre los electrodos

*Regolare il gap

* Iridium IX Spark Plug is the standard recommendation





Stock No.

Quick No.

Upgrade ↑

Stock No. ↑

KAWASAKI

BJ 250 A Estrella	BJ250A	250	1	1994-1996		0.7	DR8ES	5423	Q217	DR8EIX	6681
BJ 250 C Estrella	BJ250C	250	1	1997-1997		0.7	DR9EA	3437	Q219	DR9EIX	4772
BR 250	Z250SL	250	1	2015-		0.8	MR8CI8	96973			
BX 250		250	1	2015-		0.8	MR8CI8	96973			
EX 250		250	2	2008-2012	Constr.Code K8F	0.7	CR8E	4854	Q226	CR8EIX	4218
EX 250 R		250	1	1993-1996		0.7	CR8HSA	2086		CR8HIX	7669
GPX 250 R		250	2	1999-1999		0.7	CR8HSA	2086		CR8HIX	7669
KL 250 G		250	1	2010-	Constr.Code AF	0.8	CR8E	4854	Q226	CR8EIX	4218
KLX 250 R		250	1	1993-1996	Constr.Code D1>D4	0.8	CR8E	4854	Q226	CR8EIX	4218
KLX 250 S	LX250S	250	1	2009-2010	Constr.Code 9F / AF	0.8	CR8E	4854	Q226	CR8EIX	4218
KLX 250 S	LX250S	250	1	2011-	Constr.Code BF	0.8	CR8E	4854	Q226	CR8EIX	4218
KX 250 F 4T	KX250N	250	1	2004-2004	Constr.Code N1	0.7	CR8EB	7784			
KX 250 F 4T	KX250N	250	1	2005-2005	Constr.Code N2	0.7	CR8EB	7784			
KX 250 F 4T	KX250T	250	1	2006-2009	Constr.Code T6F>T8F, W9F	0.7	CR8E	4854	Q226	CR8EIX	4218
KX 250 F 4T	KX250W	250	1	2009-	Constr.Code W9FA	0.7	CR8E	4854	Q226	CR8EIX	4218
KX 250 F 4T	KX250X	250	1	2010-	Constr.Code XAFB	0.7	CR8E	4854	Q226	CR8EIX	4218
KX 250 F 4T	KX250Y	250	1	2011-2012	Constr.Code YBF>YCF	0.9	CPR8EB-9	6607			
KX 250 F 4T	KX250Y	250	1	2013-2015	Constr.Code ZDF-ZFF	0.9	CPR8EB-9	6607			
KX 250 J		250	1	1992-1992	Constr.Code 1	0.6	R7376-9	7763			
KX 250 J		250	1	1993-1993	Constr.Code 2	0.6	R7376-9	7763			
KX 250 K		250	1	1994-1994	Constr.Code 1	0.6	R7376-9	7763			
KX 250 K		250	1	1995-1998	Constr.Code 2>5	0.8	BR8EIX**	5044			
KX 250 L		250	1	1999-2002	Constr.Code 1>4	0.8	BR8EIX**	5044			
KX 250 M		250	1	2003-2004	Constr.Code 1>2	0.8	BR8EIX**	5044			
KX 250 R		250	1	2005-2007	Constr.Code 6F>7F	0.6	BR8ECMIX**	3520			
LX 250		250	1	2009-2011		0.8	BR7ES	5122		BR7EIX	6664
Ninja 250 SL A	BX250A	250	1	2015-	Constr.Code GF / FS / FF 28hp	0.8	MR8CI8	96973			
Ninja 250 SL B ABS	BX250A	250	1	2015-	Constr.Code GF / FS / FF 28hp	0.8	MR8CI8	96973			
Ninja 250 SL B KRT Edition ABS		250	1	2015-2016	Constr.Code GFA / FSA 28hp	0.8	MR8CI8	96973			
Ninja EX 250 R	EX250K	250	2	2008-	Constr.Code K8F	0.8	CR8E	4854	Q226	CR8EIX	4218
Ninja EX 250 R	EX250K	250	2	2009-	Constr.Code K9F	0.7	CR8E	4854	Q226	CR8EIX	4218
Ninja EX 250 R	EX250K	250	2	2010-	Constr.Code KAF	0.8	CR8E	4854	Q226	CR8EIX	4218
Ninja EX 250 R	EX250K	250	2	2011-	Constr.Code KBF	0.7	CR8E	4854	Q226	CR8EIX	4218
Ninja EX 250 R	EX250K	250	2	2012-2014	Constr.Code KCF	0.8	CR8E	4854	Q226	CR8EIX	4218
Z 250 SL	BR250E	250	1	2015-	Constr.Code EGF / EFS / EFF 28hp	0.8	MR8CI8	96973			
Z 250 SL ABS	BR250E	250	1	2015-	Constr.Code GF / FS / FF 28hp	0.8	MR8CI8	96973			
ZR 2 Balius		250	4	1993-1996		0.8	CR9E	6263	Q227	CR9EIX	3521
ZXR 250		250	4	1993-1995		0.8	CR9E	6263	Q227	CR9EIX	3521
EL 252 F Eliminator	EL250B / EL250F	252	1	1996-1999	Constr.Code 2>3	0.7	CR8HSA	2086		CR8HIX	7669
ER 300	Z300	300	2	2015-		0.7	CR8E	4854	Q226	CR8EIX	4218
J 300	SC300	300	1	2014-	28hp OHC	0.8	CR7E	4578	Q225	CR7EIX	7385
KLX 300 R	LX300A	300	1	1996-2005	Constr.Code A1>10	0.8	CR8E	4854	Q226	CR8EIX	4218
KLX 300 R	LX300A	300	1	2006-2007	Constr.Code A6F>A7F	0.8	CR8E	4854	Q226	CR8EIX	4218
Ninja EX 300		300	2	2013-		0.7	CR8E	4854	Q226	CR8EIX	4218
SC 300		300	1	2014-		0.7	CR7E	4578	Q225	CR7EIX	7385
KLE 400		400	2	1993-1993		0.7	DR8EA	7162		DR8EIX	6681
KLX 400 R	LX400A	400	1	2003-2004	Constr.Code B1>2	0.8	CR8E	4854	Q226	CR8EIX	4218
KLX 400 SR	LX400A	400	1	2003-	Constr.Code A1	0.8	CR8E	4854	Q226	CR8EIX	4218

*Bitte Elektrodenabstand nach Angaben des Herstellers justieren

*Please adjust the ground electrode gap

*Veuillez vérifier l'écartement

* Por favor, ajustar la distancia entre los electrodos

*Regolare il gap

** Iridium IX Spark Plug is the standard recommendation





Stock No.

Quick No.

Upgrade ↑

Stock No. ↑

KAWASAKI

Ninja 400	EX400	400	2	2018-	45hp DOHC	0.8	LMAR9G	97476			
ZL 400 Eliminator		400	4	1993-1993		0.7	DR8ES	5423	Q217	DR8EIX	6681
ZR 400 C Zephyr		400	4	1993-1993		0.9	DPR9EA-9	5329	Q222	DPR9EIX-9	5545
ZR 400 D Xanthus		400	4	1993-1993		0.8	CR9EK	5600	Q230		
ZXR 400	ZX400L	400	4	1998-1999		0.8	CR9EK	5600	Q230		
ZZR 400 N6		400	4	1998-		0.8	CR9EK	5600	Q230		
ZZR 400 N7		400	4	1999-		0.8	CR9EK	5600	Q230		
KFX 450 R	SF450B	450	1	2008-		0.9	CPR8EB-9	6607			
KLX 450	LX450A	450	1	2008-		0.9	CPR8EB-9	6607			
KLX 450 R	LX450A	450	1	2008-		0.9	CPR8EB-9	6607			
KLX 450 R	LX450A	450	1	2012-2014	Constr.Code ACF>AEF	0.9	CPR8EB-9	6607			
KX 450 F	KX450D	450	1	2006-2008	Constr.Code D6F>D8F	0.9	CPR8EB-9	6607			
KX 450 F	KX450E	450	1	2009-2013	Constr.Code E9F, EAF>EBF, FCF>FDF	0.9	CPR8EB-9	6607			
KX 450 F	KX450F	450	1	2013-2015	Constr.Code FDF>FFF	0.9	CPR8EB-9	6607			
EN 500 B	EN500B	500	2	1994-1995		0.7	DR9EA	3437	Q219	DR9EIX	4772
EN 500 C	EN500C	500	2	1996-1999		0.7	DR9EA	3437	Q219	DR9EIX	4772
ER 500 A Twister	ER500AA	500	2	1997-2000		0.7	DR9EA	3437	Q219	DR9EIX	4772
ER-5 B Twister	ER500AB	500	2	1997-2000		0.7	DR9EA	3437	Q219	DR9EIX	4772
ER-5 C Twister	ER500AC	500	2	2001-2006		0.7	DR9EA	3437	Q219	DR9EIX	4772
ER-5 D Twister	ER500AD	500	2	2001-2006		0.7	DR9EA	3437	Q219	DR9EIX	4772
EX 500 E10		500	2	2002-2004		0.7	DR9EA	3437	Q219	DR9EIX	4772
EX 500 R Ninja		500	2	1993-1997		0.7	DR9EA	3437	Q219	DR9EIX	4772
GPZ 500 S	EX500D	500	2	1994-2003		0.7	DR9EA	3437	Q219	DR9EIX	4772
KX 500 E	KX500E	500	1	2001-2004	Constr.Code 13>16	0.6	BR8EG	3130			
GPX 600	ZX600C	600	4	1993-1999		0.7	DR9EA	3437	Q219	DR9EIX	4772
ZL 600 B Eliminator	ZL600B	600	4	1995-1997		0.7	DR9EA	3437	Q219	DR9EIX	4772
ZX-6 R Ninja	ZX600	600	4	1995-2008		0.8	CR9E	6263	Q227	CR9EIX	3521
ZX-6 R Ninja	ZX600R	600	4	2009-		0.7	CR9E	6263	Q227	CR9EIX	3521
ZX-6 RR Ninja	X600KK / ZX600KM / ZX600N	600	4	2004-		0.8	CR9E	6263	Q227	CR9EIX	3521
ZZ-R 600	ZX600E	600	4	2001-2006		0.7	CR9E	6263	Q227	CR9EIX	3521
ZX-6 R Ninja	ZX600	636	4	2003-2008		0.8	CR9E	6263	Q227	CR9EIX	3521
ZX-6 R Ninja	ZX600R	636	4	2009-		0.7	CR9E	6263	Q227	CR9EIX	3521
ZX-6 RR Ninja	ZX600KK / ZX600KM / ZX600N	636	4	2003-		0.8	CR9E	6263	Q227	CR9EIX	3521
ER-6F 650	EX650A	650	2	2006-2010		0.9	CR9EIA-9	6289			
ER-6F 650	EX650C	650	2	2011-		0.9	CR9EIA-9	6289			
ER-6N 650	ER650A	650	2	2006-2010		0.9	CR9EIA-9	6289			
ER-6N 650	ER650C	650	2	2011-		0.9	CR9EIA-9	6289			
EX 650 Ninja	JHF	650	2	2017-	68hp	0.9	CR9EIA-9	6289			
KLE 650 Versys		650	2	2007-	Constr.Code 7F>9F	0.9	CR9EIA-9	6289			
KLE 650 Versys		650	2	2010-		0.9	CR9EIA-9	6289			
KLE 650 Versys ABS		650	2	2014-	Constr.Code EF	0.9	CR9EIA-9	6289			
KLE 650 Versys Tourer		650	2	2011-		0.9	CR9EIA-9	6289			
KLR 650 C		650	1	1995-2004		0.9	DPR8EA-9	4929	Q221	DPR8EIX-9	2202
KLR 650 New Edition	KL650EES	650	1	2014-		0.9	DPR8EA-9	4929	Q221	DPR8EIX-9	2202
KLX 650		650	1	1993-1995		0.9	DPR8EA-9	4929	Q221	DPR8EIX-9	2202
KLX 650 R		650	1	1993-2001		0.9	DPR8EA-9	4929	Q221	DPR8EIX-9	2202
W 650		650	2	1999-2006		0.8	CR8E	4854	Q226	CR8EIX	4218
Z 750		750	4	2004-2006		0.7	CR9EK	5600	Q230		

* Bitte Elektrodenabstand nach Angaben des Herstellers justieren

* Please adjust the ground electrode gap

* Veuillez vérifier l'écartement

* Por favor, ajustar la distancia entre los electrodos

* Regolare il gap

* Iridium IX Spark Plug is the standard recommendation





Stock No.

Quick No.

Upgrade ↑

Stock No. ↑

KAWASAKI

Z 750 ABS		750	4	2007-		0.7	CR9EK	5600	Q230		
Z 750 R	ZR750NPA	750	4	2011-		0.7	CR9EK	5600	Q230		
Z 750 S	ZR750J	750	4	2005-2006		0.7	CR9EK	5600	Q230		
ZR 750 C Zephyr		750	4	1995-1995		0.7	DR9EA	3437	Q219	DR9EIX	4772
ZR 750 D Zephyr		750	4	1996-1999		0.7	DR9EA	3437	Q219	DR9EIX	4772
ZR 750 J	Z750	750	4	2004-	Constr.Code 1H	0.7	CR9EK	5600	Q230		
ZR 750 J	Z750	750	4	2005-	Constr.Code 6F	0.7	CR9EK	5600	Q230		
ZR 750 K	Z750S	750	4	2006-	Constr.Code 6F	0.7	CR9EK	5600	Q230		
ZR 750 L	Z750	750	4	2007-2010	Constr.Code 7F / 8F / 9F / AF	0.7	CR9EK	5600	Q230		
ZR 750 M	Z750	750	4	2007-2010	Constr.Code 7F / 8F	0.7	CR9EK	5600	Q230		
ZR 750 N	Z750R	750	4	2011-		0.7	CR9EK	5600	Q230		
ZR-7 750 F	ZR750FF	750	4	1999-2004		0.7	DR9EA	3437	Q219	DR9EIX	4772
ZR-7 750 S	ZR750FH	750	4	2001-2004		0.7	DR9EA	3437	Q219	DR9EIX	4772
ZX 750		750	4	2004-		0.7	DR9EA	3437	Q219	DR9EIX	4772
ZX 7R 750 P Ninja	ZX750P	750	4	1996-2002		0.7	CR9E	6263	Q227	CR9EIX	3521
ZX 7RR 750 N Ninja	ZX750N	750	4	1996-1999		0.7	CR9E	6263	Q227	CR9EIX	3521
ZXR 750 L	ZX750L	750	4	1993-1995		0.8	CR9E	6263	Q227	CR9EIX	3521
VN 800 A	VN800A	800	2	1995-1999		0.8	CR7E	4578	Q225	CR7EIX	7385
VN 800 B Classic	VN800B	800	2	1996-2006		0.8	CR7E	4578	Q225	CR7EIX	7385
VN 800 C Drifter	VN800CC	800	2	1999-2000		0.8	CR7E	4578	Q225	CR7EIX	7385
VN 800 E Drifter	VN800CE	800	2	2001-2003		0.8	CR7E	4578	Q225	CR7EIX	7385
VN 800 Vulcan		800	2	2006-		0.9	CPR7EA-9	3901		CPR7EAIX-9	9198
W 800 A	EJ800A	800	2	2011-		0.8	CR8E	4854	Q226	CR8EIX	4218
W 800 A Special Edition	EJ800A	800	2	2012-		0.8	CR8E	4854	Q226	CR8EIX	4218
Z 800		800	4	2014-		0.8	CR9EK	5600	Q230		
Z 800 E-Version		800	4	2014-		0.8	CR9EK	5600	Q230		
VN 900 B Classic	VN900B	900	2	2006-		0.9	CPR7EA-9	3901		CPR7EAIX-9	9198
VN 900 C Custom	VN900C	900	2	2007-		0.9	CPR7EA-9	3901		CPR7EAIX-9	9198
VN 900 Classic Special	VN900B	900	2	2011-		0.9	CPR7EA-9	3901		CPR7EAIX-9	9198
VN 900 Light Tourer	VN900B	900	2	2011-		0.9	CPR7EA-9	3901		CPR7EAIX-9	9198
ZX-9R B Ninja	ZX900B	900	4	1994-1997		0.7	CR9EK	5600	Q230		
ZX-9R C Ninja	ZX900CC	900	4	1998-1999	Italy	0.7	CR9EK	5600	Q230		
ZX-9R D Ninja	ZX900CD	900	4	1998-1999		0.7	CR9EK	5600	Q230		
ZX-9R E Ninja	ZX900EE	900	4	2000-2001	Italy	0.7	CR9EK	5600	Q230		
ZX-9R F Ninja	ZX900EF	900	4	2002-2003	Italy	0.7	CR9EK	5600	Q230		
GTR 1000 A	ZXT00A	1000	4	1996-2003	Italy	0.7	DR9EA	3437	Q219	DR9EIX	4772
KLZ 1000 A	BS1122	1000	2	2004-2006		0.7	CR8EK	3478			
KLZ 1000 Versys		1000	4	2012-2012	Constr.Code ACF	0.9	CR9EIA-9	6289			
KZ 1000 Police		1000	4	2001-2005	Constr.Code P20>24	0.8	BR8ES	5422	Q207	BR8EIX	5044
Ninja H2	ZX1000NFF	1000	4	2015-	Constr.Code FF 200hp	0.9	SILMAR9B9	95399			
Ninja H2		1000	4	2018-	231hp	0.9	SILMAR9E9	95123			
Ninja H2R		1000	4	2015-	310hp	0.9	SILMAR9B9	95399			
Z 1000 A	ZRT00AA	1000	4	2003-2006	Constr.Code 1H>6F	0.8	CR9EK	5600	Q230		
Z 1000 C	ZRT00BC	1000	4	2007-2009	Italy	0.9	CR9EIA-9	6289			
Z 1000 E	ZRT00DE	1000	4	2010-		0.9	CR9EIA-9	6289			
Z 1000 H	KZT00HH	1000	4	2010-		0.9	CR9EIA-9	6289			
Z 1000 SX		1000	4	2010-2013	138hp	0.9	CR9EIA-9	6289			
Z 1000 SX	ZX1000L/ ZX1000M	1000	4	2014-	143hp	0.9	CR9EIA-9	6289			
Z 1000 SX Tourer	ZXT00GH	1000	4	2011-2013	138hp	0.9	CR9EIA-9	6289			
ZX-10R C Ninja	ZXT00C	1000	4	2004-2005		0.9	CR9EIA-9	6289			
ZX-10R D Ninja	ZXT00D	1000	4	2006-2007		0.9	CR9EIA-9	6289			

* Bitte Elektrodenabstand nach Angaben des Herstellers justieren

* Please adjust the ground electrode gap

* Veuillez vérifier l'écartement

* Por favor, ajustar la distancia entre los electrodos

* Regolare il gap

** Iridium IX Spark Plug is the standard recommendation





Stock No.

Quick No.

Upgrade ↑

Stock No. ↑

KAWASAKI

ZX-10R E Ninja	ZXT00E	1000	4	2008-2009		0.9	CR9EIA-9	6289			
ZX-10R F Ninja	ZXT00F	1000	4	2010-2010		0.9	CR9EIA-9	6289			
ZX-10R Ninja		1000	4	2010-		0.9	CR9EIA-9	6289			
ZX-10R Ninja	ZX1000SHF	1000	4	2016-	Constr.Code HF 200hp	0.9	SILMAR9B9	95399			
ZX-10R Ninja ABS		1000	4	2016-	200hp	0.9	SILMAR9B9	95399			
ZX-10R Ninja KRT Edition	ZX1000SGFA	1000	4	2016-	Constr.Code FA 200hp	0.9	SILMAR9B9	95399			
GPZ 1100 E	ZXT10E	1100	4	1995-1998		0.8	CR9EK	5600	Q230		
GPZ 1100 F	ZXT10E	1100	4	1996-1998		0.8	CR9EK	5600	Q230		
ZR 1100 A Zephyr	ZRT10A	1100	4	1992-1995		0.8	CR9E	6263	Q227	CR9EIX	3521
ZR 1100 B Zephyr	ZRT10B	1100	4	1996-1997		0.8	CR9E	6263	Q227	CR9EIX	3521
ZR 1100 C		1100	4	1997-2001	Constr.Code 1>4	0.7	CR9EK	5600	Q230		
ZRX 1100 C	ZRT10C	1100	4	1997-2000		0.8	CR9EK	5600	Q230		
ZX-11 1100 Ninja		1100	4	-1992		0.8	C9E	7499		CR9EIX	3521
ZX-11 1100 Ninja		1100	4	1993-		0.8	CR9E	6263	Q227	CR9EIX	3521
ZZR 1100 D	ZXT10D	1100	4	1993-1997		0.7	CR9E	6263	Q227	CR9EIX	3521
ZZR 1100 G	ZXT10DG	1100	4	1998-2001		0.7	CR9E	6263	Q227	CR9EIX	3521
ZRX 1200 C	ZRT20AC	1200	4	2001-2004		0.7	CR9EK	5600	Q230		
ZRX 1200 R	ZRT20AA	1200	4	2001-2006		0.7	CR9EK	5600	Q230		
ZRX 1200 S	ZRT20AB	1200	4	2001-2004		0.7	CR9EK	5600	Q230		
ZX-12R 1200 A Ninja	ZXT20AA	1200	4	2000-2001		0.7	CR9EKPA	7785			
ZX-12R 1200 B Ninja	ZXT20AB	1200	4	2002-2006		0.7	CR9EKPA	7785			
ZZR 1200 C	ZXT20CC	1200	4	2002-2005		0.7	CR9E	6263	Q227	CR9EIX	3521
GTR 1400 A	ZGT40A	1400	4	2008-		0.9	CR9EIA-9	6289			
GTR 1400 Grand Tourer	ZGT40C	1400	4	2011-		0.9	CR9EIA-9	6289			
ZZR 1400 B	ZXT40A	1400	4	2006-2007		0.9	CR9EIA-9	6289			
ZZR 1400 D	ZXT40C	1400	4	2008-2011		0.9	CR9EIA-9	6289			
VN 1500 D Classic	VNT50D	1500	2	1996-1997		0.9	DPR7EA-9	5129	Q220	DPR7EIX-9	7803
VN 1500 F Classic	VNT50D	1500	2	1998-1999		0.9	DPR5EA-9	2887			
VN 1500 G Classic Tourer	VNT50GG	1500	2	1998-1999		0.9	DPR5EA-9	2887			
VN 1500 H Classic Tourer	VNT50GH	1500	2	1998-1999		0.9	DPR5EA-9	2887			
VN 1500 J Drifter	VNT50JJ	1500	2	1999-2000		0.9	DPR6EA-9	5531			
VN 1500 L Classic Tourer		1500	2	2000-2004		0.9	DPR6EA-9	5531			
VN 1500 N Classic		1500	2	2000-2002		0.9	DPR6EA-9	5531			
VN 1500 P Mean Streak	VNT50P	1500	2	2002-2003		0.9	DPR6EA-9	5531			
VN 1500 R Drifter	VNT50JR	1500	2	2001-2003		0.9	DPR6EA-9	5531			
VN 1600 A Classic	VNT60A	1600	2	2003-2008		0.9	DPR6EA-9	5531			
VN 1600 B Mean Streak	VNT60B	1600	2	2004-2008		0.9	DPR6EA-9	5531			
VN 1600 D Classic Tourer	VNT60AD	1600	2	2005-2008		0.9	DPR6EA-9	5531			
VN 1700 Classic	VNT70C	1700	2	2009-		1.1	ILZKAR7B11	6283			
VN 1700 Classic Tourer	VNT70C	1700	2	2009-		1.1	ILZKAR7B11	6283			
VN 1700 Light Tourer		1700	2	2011-		1.1	ILZKAR7B11	6283			
VN 1700 Voyager	VNT70A	1700	2	2009-		1.1	ILZKAR7B11	6283			
VN 1700 Voyager Custom	VNT70JK	1700	2	2011-		1.1	ILZKAR7B11	6283			
VN 2000 A	VNW00A	2000	2	2004-2008		1.1	IZFR6F11	4095			
VN 2000 H Classic	VNW00H	2000	2	2008-		1.1	IZFR6F11	4095			

KEEWAY

Easy 25 V2	SHRC005001	50	1	-		0.8	BR7ES	5122		BR7EIX	6664
-------------------	------------	----	---	---	--	-----	-------	------	--	--------	------

* Bitte Elektrodenabstand nach Angaben des Herstellers justieren

* Please adjust the ground electrode gap

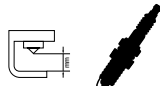
* Veuillez vérifier l'écartement

* Por favor, ajustar la distancia entre los electrodos

* Regolare il gap

* Iridium IX Spark Plug is the standard recommendation





Stock No.

Quick No.

Upgrade ↑

Stock No. ↑

KEEWAY

Easy 45 V2	SHRC005001	50	1	-		0.8	BR7ES	5122		BR7EIX	6664
F-Act		50	1	-		0.6	BR6HSA	4461	Q210		
Flash		50	1	2006-		0.6	BR6HSA	4461	Q210		
Flash 25 V1		50	1	-		0.8	BR7ES	5122		BR7EIX	6664
Flash 45 V1		50	1	-		0.8	BR7ES	5122		BR7EIX	6664
Focus 25 V2		50	1	-		0.8	BR7ES	5122		BR7EIX	6664
Focus 45 V1	SYTABMP1	50	1	-		0.8	BR7ES	5122		BR7EIX	6664
Focus 45 V2		50	1	-		0.8	BR7ES	5122		BR7EIX	6664
Goccia		50	1	2010-		0.6	BR8HSA	5539			
Hurricane		50	1	2008-	10mm Thread Size / 12,7mm Thread Reach	0.7	C7HSA	4629		CR7HIX	7544
Hurricane		50	1	2008-	14mm Thread Size / 12,7mm Thread Reach	0.6	BPR7HS	6422		BPR7HIX	5944
Hurricane 25 V2		50	1	-		0.8	BR7ES	5122		BR7EIX	6664
Hurricane 45 V1		50	1	-		0.8	BR7ES	5122		BR7EIX	6664
Hurricane 45 V2		50	1	-		0.8	BR7ES	5122		BR7EIX	6664
K1		50	1	2007-		0.6	BR6HSA	4461	Q210		
Matrix 25 V2		50	1	-		0.8	BR7ES	5122		BR7EIX	6664
Matrix 45 V1		50	1	-		0.8	BR7ES	5122		BR7EIX	6664
Matrix 45 V2		50	1	-		0.8	BR7ES	5122		BR7EIX	6664
Matrix Sport 50		50	1	2006-		0.6	BPR7HS	6422		BPR7HIX	5944
Pixel 50		50	1	2007-		0.6	BR6HSA	4461	Q210		
RY8 25		50	1	-		0.8	BR7ES	5122		BR7EIX	6664
RY8 45		50	1	-		0.8	BR7ES	5122		BR7EIX	6664
RY8 45 SP		50	1	-		0.8	BR7ES	5122		BR7EIX	6664
X-Ray 50 Enduro V1		50	1	-		0.8	BR8ES	5422	Q207	BR8EIX	5044
X-Ray 50 SM V1		50	1	-		0.8	BR8ES	5422	Q207	BR8EIX	5044
ARN 125		125	1	2008-		0.9	DPR7EA-9	5129	Q220	DPR7EIX-9	7803
ARN 125		125	1	2009-		0.7	CR6HSA	2983		CR6HIX	7274
F-act 125		125	1	-		0.6	CR7HSA	4549		CR7HIX	7544
Foc. 125		125	1	-		0.7	CR6HSA	2983		CR6HIX	7274
Hacker 125		125	1	2008-		0.9	DPR7EA-9	5129	Q220	DPR7EIX-9	7803
Matrix 125 V1		125	1	-		0.7	CR6HSA	2983		CR6HIX	7274
Matrix 125 V2		125	1	-		0.6	CR7HSA	4549		CR7HIX	7544
Outlook 125		125	1	2006-		0.6	D7EA	7912		DR7EIX	5686
Silver Blade 125		125	1	2007-		0.6	D7EA	7912		DR7EIX	5686
Speed 125		125	1	2006-		0.6	D7EA	7912		DR7EIX	5686
Speed 125		125	1	2008-		0.9	DPR7EA-9	5129	Q220	DPR7EIX-9	7803
Speed 125 V1		125	1	-		0.6	DR7ES	3123		DR7EIX	5686
Speed 125 V2		125	1	-		0.6	DR7ES	3123		DR7EIX	5686
Superlight 125		125	1	2006-		0.6	D7EA	7912		DR7EIX	5686
Superlight 125		125	1	2008-		0.9	DPR7EA-9	5129	Q220	DPR7EIX-9	7803
Superlight125 V1		125	1	-		0.6	DR7ES	3123		DR7EIX	5686
Superlight125 V2		125	1	-		0.6	DR7ES	3123		DR7EIX	5686
Speed 150		150	1	2006-		0.6	D7EA	7912		DR7EIX	5686
Superbike 150		150	1	-		0.6	D7EA	7912		DR7EIX	5686
Superlight 150		150	1	2006-		0.6	D7EA	7912		DR7EIX	5686
Cruiser 250		250	2	2006-		0.7	D7EA	7912		DR7EIX	5686

KENOS

125-12B		125	1	2007-		0.7	CR8E	4854	Q226	CR8EIX	4218
----------------	--	-----	---	-------	--	-----	------	------	------	--------	------

*Bitte Elektrodenabstand nach Angaben des Herstellers justieren

*Please adjust the ground electrode gap

*Veuillez vérifier l'écartement

* Por favor, ajustar la distancia entre los electrodos

*Regolare il gap

** Iridium IX Spark Plug is the standard recommendation





Stock No.

Quick No.

Upgrade ↑

Stock No. ↑

KINETIC

Pride		50	1	-		0.6	BP7HS	5111		BPR7HIX	5944
Pride		80	1	-		0.6	BP7HS	5111		BPR7HIX	5944

KREIDLER

Florett 25		50	1	1996-		0.6	BPR7HS	6422		BPR7HIX	5944
Florett 50		50	1	1996-		0.6	BPR7HS	6422		BPR7HIX	5944
Florett RMC 25		50	1	2005-		0.6	BPR7HS	6422		BPR7HIX	5944
Florett RMC 50		50	1	2005-		0.6	BPR7HS	6422		BPR7HIX	5944
Flory 25		50	1	1996-		0.6	BPR7HS	6422		BPR7HIX	5944
Flory 50		50	1	1996-		0.6	BPR7HS	6422		BPR7HIX	5944
Flory 50		50	1	2005-		0.6	C7HSA	4629		CR7HIX	7544
Flory RC 25		50	1	2005-		0.6	BPR7HS	6422		BPR7HIX	5944
Flory RC 50		50	1	2005-		0.6	BPR7HS	6422		BPR7HIX	5944
MK 50		50	1	1996-		0.6	BPR7HS	6422		BPR7HIX	5944
RMC E 25		50	1	2007-		0.7	BPR7HS	6422		BPR7HIX	5944
RMC E 50		50	1	2007-		0.7	BPR7HS	6422		BPR7HIX	5944
RMC F 25		50	1	2007-		0.7	BPR7HS	6422		BPR7HIX	5944
RMC F 50		50	1	2007-		0.7	BPR7HS	6422		BPR7HIX	5944
Enduro 125		125	1	2000-		0.9	DP7EA-9	5629		DPR7EIX-9	7803
Enduro 125		125	1	2007-		0.7	CR8E	4854	Q226	CR8EIX	4218
Florett RMC 125		125	1	2005-		0.5	CR7HSA	4549		CR7HIX	7544
Mustang 125	SM	125	1	1997-1997		0.5	CR7HSA	4549		CR7HIX	7544
Mustang 125	CHP	125	1	1998-2000		0.7	DR8EA	7162		DR8EIX	6681
RMC F 125		125	1	2007-		0.6	CR7HSA	4549		CR7HIX	7544
Supermoto 125		125	1	2007-2009		0.7	CR8E	4854	Q226	CR8EIX	4218
Supermoto 125 DD		125	1	2004-2007		0.7	CR8E	4854	Q226	CR8EIX	4218
Supermoto 125 DD		125	1	2010-		0.7	CR8E	4854	Q226	CR8EIX	4218

KSR MOTO

Epico 50		50	1	2014-	3hp	0.7	BR8HSA	5539			
Onyx 50		50	1	2014-	4hp	0.7	BR8HSA	5539			
Sirion 50		50	1	2014-	4hp	0.7	BR8HSA	5539			
Code 125		125	1	2014-	11hp	0.7	DR8EA	7162		DR8EIX	6681
GRS 125		125	1	2015-	11hp	0.7	DR8EA	7162		DR8EIX	6681
TR 125		125	1	2014-	15hp	0.8	CR8E	4854	Q226	CR8EIX	4218
TW 125		125	1	2015-	11hp	0.7	DR8EA	7162		DR8EIX	6681
Vertigo 125		125	1	2014-	10hp	0.7	CR7HSA	4549		CR7HIX	7544
Worx 125		125	1	2014-	11hp	0.7	DR8EA	7162		DR8EIX	6681
Zion 125		125	1	2014-	12hp	0.7	CR8E	4854	Q226	CR8EIX	4218
Code 150		150	1	2015-	12hp	0.7	DR8EA	7162		DR8EIX	6681
Zion 150		150	1	2013-2015	13hp	0.7	CR8E	4854	Q226	CR8EIX	4218
Zion 150		150	1	2016-	12hp	0.7	CR8E	4854	Q226	CR8EIX	4218

KTM

50 Adventure		50	1	2002-		0.7	CR8HSA	2086		CR8HIX	7669
50 GXE		50	1	-		0.6	B9EG	3530			
50 GXR		50	1	-		*	BR9EIX**	3981			
50 Junior		50	1	2002-		0.7	CR8HSA	2086		CR8HIX	7669
50 Junior Adventure		50	1	2002-		0.6	BR8HS	4915	Q212	BR8HIX	7001
50 Mini Adventure		50	1	2001-2001		0.6	B8HS	5510		BR8HIX	7001
50 Mini Adventure		50	1	2002-		0.6	BR8HS	4915	Q212	BR8HIX	7001
50 Mini Adventure GS		50	1	2002-		0.6	BR8HS	4915	Q212	BR8HIX	7001
50 MLS		50	1	-		0.6	B6HS	4510		BR6HIX	3419
50 MMS		50	1	-		0.6	B7HS	5110		BR7HIX	7067

*Bitte Elektrodenabstand nach Angaben des Herstellers justieren

*Please adjust the ground electrode gap

*Veuillez vérifier l'écartement

* Por favor, ajustar la distancia entre los electrodos

*Regolare il gap

* Iridium IX Spark Plug is the standard recommendation





Stock No.

Quick No.

Upgrade ↑

Stock No. ↑

KTM

50 RSL		50	1	-		0.6	B7HS	5110		BR7HIX	7067
50 Senior		50	1	2001-		0.7	CR8HSA	2086		CR8HIX	7669
50 Senior		50	1	2003-		0.6	BR8ECM	3035		BR8ECMIX	3520
50 Senior Adventure		50	1	2002-2002		0.6	BR8HS	4915	Q212	BR8HIX	7001
50 SX		50	1	2008-2009		0.7	CR8HSA	2086		CR8HIX	7669
50 SX		50	1	2010-		0.7	LR8B	6208			
50 SX Junior		50	1	2001-2001	Switzerland	0.6	B8HS	5510		BR8HIX	7001
50 SX Junior LC		50	1	2002-2002	Water fluid	0.6	BR10EG	3830			
50 SX Mini		50	1	2010-		0.7	LR8B	6208			
50 SX Pro Junior LC		50	1	2003-	Switzerland BETA Water fluid	0.6	BR8ECM	3035		BR8ECMIX	3520
50 SX Pro Senior LC		50	1	2003-	Water fluid	0.6	BR8ECM	3035		BR8ECMIX	3520
50 SXR Adventure		50	1	1998-2001		0.6	B8HS	5510		BR8HIX	7001
50 SXR Pro-Junior		50	1	1997-		0.6	B6HS	4510		BR6HIX	3419
50 SXR Pro Senior		50	1	1998-2001		0.6	B8HS	5510		BR8HIX	7001
50 SX Senior		50	1	2001-2001		0.6	B8HS	5510		BR8HIX	7001
50 SX Senior LC		50	1	2002-2002	Denmark Water fluid	0.6	BR10EG	3830			
50 XR Pro Junior		50	1	1998-2001		0.6	B8HS	5510		BR8HIX	7001
Bora 50		50	1	-		0.6	B6HS	4510		BR6HIX	3419
Chrono '50		50	1	-		0.5	BR7HS	4737		BR7HIX	7067
Crazy		50	1	-		0.6	BP5HS	4111			
Cross 50 AC		50	1	-	MINARELLI Air	0.6	BR8HS	4915	Q212	BR8HIX	7001
Foxi		50	1	-		0.6	B5HS	4210			
Foxi		50	1	-	Denmark	0.6	B7HS	5110		BR7HIX	7067
Go 50	BS4C20	50	1	-		0.5	BR7HS	4737		BR7HIX	7067
K 50		50	1	-		0.5	BR7HS	4737		BR7HIX	7067
K-Serie AC		50	1	-	MINARELLI Air	0.6	BR8HS	4915	Q212	BR8HIX	7001
K-Serie LC		50	1	-	MINARELLI Water fluid	0.6	BR8HS	4915	Q212	BR8HIX	7001
Postmofa		50	1	-		0.6	BP6ES	7811		BPR6EIX	6637
S5-E		50	1	1999-		0.6	B8HS	5510		BR8HIX	7001
S5-GS Pro Junior		50	1	1999-		0.6	B8HS	5510		BR8HIX	7001
S5-GS Pro Senior		50	1	1999-		0.6	B8HS	5510		BR8HIX	7001
SM 25		50	1	-		0.6	BP6HS	4511		BPR6HIX	4085
Squadra		50	1	-		0.6	BP6ES	7811		BPR6EIX	6637
SX 2		50	1	-		0.6	B8HS	5510		BR8HIX	7001
SX 3		50	1	-		0.6	B6HS	4510		BR6HIX	3419
60 SX		60	1	1998-		0.6	R7436-10	4900			
65 CR		65	1	2008-		0.6	BR8ECM	3035		BR8ECMIX	3520
65 SX		65	1	1998-2000		0.6	R7436-10	4900			
65 SX		65	1	2001-2002		0.6	BR10EG	3830			
65 SX		65	1	2003-2009	BETA	0.6	BR8ECM	3035		BR8ECMIX	3520
65 SX		65	1	2009-		0.6	LR8B	6208			
80 Chopper		80	1	-		0.6	B9HS	5810		BR9HIX	5687
80 Enduro		80	1	-		0.6	B10EG	3630			
80 IGS		80	1	-		0.6	BR10EIX**	6801			
80 IMX		80	1	-		0.6	BR10EIX**	6801			
85 IGS		85	1	-		0.6	BR10EIX**	6801			
85 IMX		85	1	-		0.6	BR10EIX**	6801			
85 SX		85	1	2008-		0.6	BR9ECMIX**	2707			
85 SX 17/14		85	1	2010-		0.8	BR9ECMIX**	2707			
85 SX 19/16		85	1	2010-		0.8	BR9ECMIX**	2707			
105 SX		105	1	2008-		*	BR9ECMIX**	2707			

*Bitte Elektrodenabstand nach Angaben des Herstellers justieren

*Please adjust the ground electrode gap

*Veuillez vérifier l'écartement

* Por favor, ajustar la distancia entre los electrodos

*Regolare il gap

** Iridium IX Spark Plug is the standard recommendation





Stock No.

Quick No.

Upgrade ↑

Stock No. ↑

KTM

125 Duke		125	1	1998-		0.7	BR9ES	5722		BR9EIX	3981
125 Duke		125	1	2013-		0.9	LKAR8AI-9	6706			
125 EGS		125	1	1998-		0.6	R6918B-8	4492			
125 EGS		125	1	1999-		0.6	R6918B-8	4492			
125 Enduro		125	1	-		0.6	B10EG	3630			
125 EXC		125	1	1997-1998		0.6	R6918B-8	4492			
125 EXC		125	1	1998-1999		0.6	R6918B-8	4492			
125 EXC		125	1	1999-2000		0.6	R6918B-8	4492			
125 EXC		125	1	2002-		*	BR9ECMIX**	2707			
125 EXC Six Days		125	1	2008-		0.6	BR9ECMIX**	2707			
125 EXC Six Days		125	1	2010-		0.6	BR9ECMIX**	2707			
125 EXE		125	1	1999-		0.6	BR8HS	4915	Q212	BR8HIX	7001
125 GS		125	1	-	14mm Thread Size / 12,7mm Thread Reach	0.6	B8HS	5510		BR8HIX	7001
125 LC 2		125	1	1996-2000		0.6	BR9ES	5722		BR9EIX	3981
125 LC 2		125	1	2000-		0.6	BR8HS	4915	Q212	BR8HIX	7001
125 MC		125	1	-	14mm Thread Size / 12,7mm Thread Reach	0.6	B8HS	5510		BR8HIX	7001
125 MC		125	1	-	14mm Thread Size / 19mm Thread Reach	0.6	B9EG	3530			
125 MC GP		125	1	-		0.6	B10HS	2399		BR10HIX	6692
125 RC1		125	1	2009-		0.6	BR9ECMIX**	2707			
125 SM		125	1	-		0.6	BR8HS	4915	Q212	BR8HIX	7001
125 Sting		125	1	1998-		0.7	BR8ES	5422	Q207	BR8EIX	5044
125 Supermoto		125	1	1999-		0.6	BR8HS	4915	Q212	BR8HIX	7001
125 SX		125	1	1996-1997		0.6	BR10EG	3830			
125 SX		125	1	1997-1998	Model 1998	0.6	R6918B-8	4492			
125 SX		125	1	1999-2000		0.6	R6918B-8	4492			
125 SX		125	1	2001-2001		0.7	BR8EIX**	5044			
125 SX		125	1	2003-		*	BR9ECMIX**	2707			
125 SX		125	1	2008-		0.6	BR9ECMIX**	2707			
125 TXC		125	1	-		0.6	BR10EIX**	6801			
125 XC-W		125	1	2017-		0.6	BR9ECMIX**	2707			
144 SX		144	1	2006-		0.6	BR9ECMIX**	2707			
144 SX		150	1	2010-		0.6	BR9ECMIX**	2707			
150 SX		150	1	2009-		0.6	BR9ECMIX**	2707			
150 XC		150	1	2010-2015		0.6	BR9ECMIX**	2707			
150 XC-W		150	1	2017-		0.6	BR9ECMIX**	2707			
175 GS		175	1	-		0.6	B8HS	5510		BR8HIX	7001
175 MC		175	1	-		0.6	B8HS	5510		BR8HIX	7001
175 XC		175	1	2010-		0.6	BR9ECMIX**	2707			
200 Duke		200		2011-		0.9	LKAR8A-9	4786			
200 Duke		200	1	2014-		0.9	LKAR8AI-9	6706			
200 EGS		200	1	1998-		0.6	BR8EG	3130			
200 EGS		200	1	1999-		0.6	BR8EG	3130			
200 EXC		200	1	1998-1999		0.6	BR8EG	3130			
200 EXC		200	1	1999-2001		0.6	BR9EG	3230			
200 EXC		200	1	2002-		0.6	BR8EG	3130			
200 EXC		200	1	2010-		0.6	BR8EG	3130			
200 MXC		200	1	1999-		0.6	BR8EG	3130			
200 SX		200	1	2007-		0.6	BR8EG	3130			
200 XC-W		200	1	2010-		0.6	BR8EG	3130			
250 EGS		250	1	1997-1997		0.8	BR8ECM	3035		BR8ECMIX	3520

*Bitte Elektrodenabstand nach Angaben des Herstellers justieren

*Please adjust the ground electrode gap

*Veuillez vérifier l'écartement

* Por favor, ajustar la distancia entre los electrodos

*Regolare il gap

* Iridium IX Spark Plug is the standard recommendation





Stock No.

Quick No.

Upgrade ↑

Stock No. ↑

KTM

250 EGS		250	1	1998-1998		0.8	BR8ECM	3035		BR8ECMIX	3520
250 EGS		250	1	1999-1999		0.8	BR8ECM	3035		BR8ECMIX	3520
250 Enduro		250	1	-		0.6	B10EG	3630			
250 EXC		250	1	1997-1998		0.8	BR8ECM	3035		BR8ECMIX	3520
250 EXC		250	1	2010-2017		0.8	BR7ES	5122		BR7EIX	6664
250 EXC Enduro Competition		250	1	2003-		0.6	BR7ES	5122		BR7EIX	6664
250 EXC E-Starter		250	1	2010-		0.8	BR7ES	5122		BR7EIX	6664
250 EXC-F		250	1	2007-		0.7	CR9EKB	2305			
250 EXC-F		250	1	2014-	10mm Thread Size / 26,5mm Thread Reach	1.0	LMAR9AI-10	93188			
250 EXC-F Six Days		250	1	2010-2013		0.7	CR9EKB	2305			
250 EXC Racing		250	1	1997-		0.6	BR8ECM	3035		BR8ECMIX	3520
250 EXC Racing		250	1	2002-2002		0.6	CR8EK	3478			
250 EXC Racing		250	1	2003-		0.6	DCPR8E	4179		DCPR8EIX	6546
250 EXC Racing GS		250	1	2003-		0.6	DCPR8E	4179		DCPR8EIX	6546
250 EXC Racing Six Days		250	1	2002-2002		0.6	CR8EK	3478			
250 EXC Six Days		250	1	1998-2001		0.8	BR8ECM	3035		BR8ECMIX	3520
250 EXC Six Days		250	1	2010-		0.8	BR7ES	5122		BR7EIX	6664
250 EXC TPI		250	1	2018-		1.3	ZGR7GI-13G	96760			
250 EXC TPI Six Days		250	1	2018-		1.3	ZGR7GI-13G	96760			
250 Freeride R		250	1	2013-2017		0.7	BR7ES	5122		BR7EIX	6664
250 GS		250	1	-	14mm Thread Size / 12,7mm Thread Reach	0.6	B9HS	5810		BR9HIX	5687
250 MC		250	1	-	14mm Thread Size / 19mm Thread Reach	0.6	B9EG	3530			
250 MC		250	1	-	14mm Thread Size / 12,7mm Thread Reach	0.6	B9HS	5810		BR9HIX	5687
250 MC GP		250	1	-	14mm Thread Size / 19mm Thread Reach	0.6	B9EG	3530			
250 MC GP		250	1	-	14mm Thread Size / 12,7mm Thread Reach	0.6	B9HS	5810		BR9HIX	5687
250 MXC		250	1	2004-		0.6	BR7ES	5122		BR7EIX	6664
250 SX		250	1	1996-1997		0.6	BR8EG	3130			
250 SX		250	1	1997-1998		0.8	BR8ECM	3035		BR8ECMIX	3520
250 SX		250	1	1998-1999		0.8	BR8ECM	3035		BR8ECMIX	3520
250 SX		250	1	1999-2004		0.8	BR8ECM	3035		BR8ECMIX	3520
250 SX		250	1	2003-		0.8	BR8ECM	3035		BR8ECMIX	3520
250 SX		250	1	2005-		0.7	CR9EKB	2305			
250 SX		250	1	2010-		0.8	BR8ECM	3035		BR8ECMIX	3520
250 SXC		250	1	1999-		0.8	BR8ECM	3035		BR8ECMIX	3520
250 SX-F		250	1	2006-2012		0.7	CR9EKB	2305			
250 SX-F		250	1	2013-		0.7	LMAR9AI-8	97225			
250 SX-F Factory Repl. Musquin Edition		250	1	2010-2012		0.7	CR9EKB	2305			
250 TXC		250	1	-		0.6	BR9EIX**	3981			
250 XC		250	1	2010-		0.8	BR7ES	5122		BR7EIX	6664
250 XCF-W		250	1	2010-		0.7	CR9EKB	2305			
250 XCF-W Champion's Edition		250	1	2010-		0.7	CR9EKB	2305			
250 XC-W		250	1	2010-		0.8	BR7ES	5122		BR7EIX	6664
300 EGS		300	1	1997-		0.8	BR8ECM	3035		BR8ECMIX	3520
300 EGS		300	1	1999-		0.8	BR8ECM	3035		BR8ECMIX	3520
300 EXC		300	1	1996-1996		0.6	BR8EIX**	5044			

*Bitte Elektrodenabstand nach Angaben des Herstellers justieren

*Please adjust the ground electrode gap

*Veuillez vérifier l'écartement

* Por favor, ajustar la distancia entre los electrodos

*Regolare il gap

** Iridium IX Spark Plug is the standard recommendation





Stock No.

Quick No.

Upgrade ↑

Stock No. ↑

KTM

300 EXC		300	1	1997-1998		0.8	BR8ECM	3035		BR8ECMIX	3520
300 EXC		300	1	2010-2017		0.8	BR7ES	5122		BR7EIX	6664
300 EXC Enduro Competition		300	1	2003-		0.6	BR7ES	5122		BR7EIX	6664
300 EXC Six Days		300	1	2010-2017		0.8	BR7ES	5122		BR7EIX	6664
300 EXC Sixt Days		300	1	1999-		0.8	BR8ECM	3035		BR8ECMIX	3520
300 EXC TPI		300	1	2018-		1.3	ZGR7GI-13G	96760			
300 EXC TPI Six Days		300	1	2018-		1.3	ZGR7GI-13G	96760			
300 LC		300	1	-		0.6	B10EG	3630			
300 MX		300	1	-1995		0.6	BR9EIX**	3981			
300 MXC		300	1	1997-2002		0.8	BR8ECM	3035		BR8ECMIX	3520
300 MXC		300	1	2003-		0.6	BR7ES	5122		BR7EIX	6664
300 SX		300	1	1999-		0.8	BR8ECM	3035		BR8ECMIX	3520
300 TVC		300	1	-		0.6	BR8ECM	3035		BR8ECMIX	3520
300 TXC		300	1	-1995		0.6	BR9EIX**	3981			
300 XC		300	1	2010-		0.8	BR7ES	5122		BR7EIX	6664
300 XC-W		300	1	2010-		0.8	BR7ES	5122		BR7EIX	6664
350 EXC-F		350	1	2011-2016		0.8	LMAR9AI-8	97225			
350 EXC-F Six Days		350	1	2011-2016		0.8	LMAR9AI-8	97225			
350 Freeride		350	1	2012-2017		1.0	LMAR9AI-10	93188			
350 GS		350	1	-		0.6	BR9EIX**	3981			
350 LC4		350	1	-1993		0.6	D8EA	2120	Q216	DR8EIX	6681
350 LC4 EGS		350	1	1993-		0.6	D8EA	2120	Q216	DR8EIX	6681
350 LC4 EXC		350	1	1993-		0.6	D8EA	2120	Q216	DR8EIX	6681
350 MX		350	1	-		0.8	BR9EIX**	3981			
350 MX		350	1	2010-		0.8	LMAR9AI-8	97225			
350 SX-F		350	1	2011-		0.8	LMAR9AI-8	97225			
350 XC-F		350	1	2011-		0.8	LMAR9AI-8	97225			
350 XCF-W		350	1	2011-		0.8	LMAR9AI-8	97225			
360 EGS		360	1	1997-		0.8	BR8ECM	3035		BR8ECMIX	3520
360 EXC		360	1	1997-		0.8	BR8ECM	3035		BR8ECMIX	3520
360 MXC		360	1	1997-		0.8	BR8ECM	3035		BR8ECMIX	3520
360 SX		360	1	1996-		0.6	BR8EG	3130			
360 SX		360	1	1997-		0.8	BR8ECM	3035		BR8ECMIX	3520
375 EXC Racing		375	1	2009-		0.9	LKAR8A-9	4786			
380 EGS		380	1	1998-		0.8	BR8ECM	3035		BR8ECMIX	3520
380 EGS		380	1	1999-		0.8	BR8ECM	3035		BR8ECMIX	3520
380 Enduro		380	1	1998-		0.8	BR8ECM	3035		BR8ECMIX	3520
380 EXC		380	1	1998-		0.8	BR8ECM	3035		BR8ECMIX	3520
380 SX		380	1	1999-		0.8	BR8ECM	3035		BR8ECMIX	3520
390 Duke		390	1	2013-		0.9	LKAR8AI-9	6706			
390 FE		390	1	2010-		0.9	LKAR8AI-9	6706			
400 EGS	LC4	400	1	1993-1999		0.6	D8EA	2120	Q216	DR8EIX	6681
400 EGS		400	1	1997-		0.6	D8EA	2120	Q216	DR8EIX	6681
400 EGS-E		400	1	1997-		0.6	DR8EA	7162		DR8EIX	6681
400 EGS-E	LC4	400	1	1997-1999		0.6	DR8EA	7162		DR8EIX	6681
400 EGS LC4		400	1	1993-		0.6	D8EA	2120	Q216	DR8EIX	6681
400 Enduro-E		400	1	1998-		0.6	D8EA	2120	Q216	DR8EIX	6681
400 EXC		400	1	2010-		0.9	LKAR8AI-9	6706			
400 EXC LC4		400	1	1993-		0.6	D8EA	2120	Q216	DR8EIX	6681
400 EXC Racing		400	1	1999-2002		0.7	CR8EK	3478			
400 EXC Racing		400	1	2002-		0.6	DCPR8E	4179		DCPR8EIX	6546
400 EXC Racing		400	1	2003-		0.6	DCPR8E	4179		DCPR8EIX	6546

*Bitte Elektrodenabstand nach Angaben des Herstellers justieren

*Please adjust the ground electrode gap

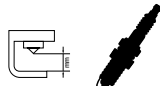
*Veuillez vérifier l'écartement

* Por favor, ajustar la distancia entre los electrodos

*Regolare il gap

* Iridium IX Spark Plug is the standard recommendation





Stock No.

Quick No.

Upgrade ↑

Stock No. ↑

KTM

400 GS		400	1	-		0.6	B9HS	5810		BR9HIX	5687
400 LC4		400	1	1998-		0.7	DR8EA	7162		DR8EIX	6681
400 LC4		400	1	1999-2002		0.7	DR8EA	7162		DR8EIX	6681
400 LC4 Competition		400	1	1998-		0.7	DR8EA	7162		DR8EIX	6681
400 LC4-E		400	1	1999-2002		0.7	DR8EA	7162		DR8EIX	6681
400 LC4-E		400	1	2002-		0.6	DCPR8E	4179		DCPR8EIX	6546
400 LC4- E Enduro		400	1	2001-		0.7	DR8EA	7162		DR8EIX	6681
400 LES	LC4	400	1	1997-1999		0.6	DR8EA	7162		DR8EIX	6681
400 LS-E		400	1	1997-2002		0.6	DR8EA	7162		DR8EIX	6681
400 MC		400	1	-		0.6	B9HS	5810		BR9HIX	5687
400 MC GP		400	1	-		0.6	B9HS	5810		BR9HIX	5687
400 SC	LC4	400	1	1993-1999		0.6	D8EA	2120	Q216	DR8EIX	6681
400 SC		400	1	1996-		0.6	D8EA	2120	Q216	DR8EIX	6681
400 SC		400	1	1998-		0.6	D8EA	2120	Q216	DR8EIX	6681
400 Super Competition		400	1	1997-		0.6	D8EA	2120	Q216	DR8EIX	6681
400 SX		400	1	1998-2002		0.6	D8EA	2120	Q216	DR8EIX	6681
400 SXC	LC4	400	1	1993-1999		0.6	D8EA	2120	Q216	DR8EIX	6681
400 SXC		400	1	1998-2002		0.6	D8EA	2120	Q216	DR8EIX	6681
400 SXC		400	1	1999-2002		0.6	D8EA	2120	Q216	DR8EIX	6681
400 SX Racing		400	1	1999-2002		0.7	CR8EK	3478			
400 SX Racing		400	1	2002-		0.6	DCPR8E	4179		DCPR8EIX	6546
400 SX Six Days		400	1	1999-2002		0.7	CR8EK	3478			
400 XC-W		400	1	2010-		0.9	LKAR8A-9	6706			
420		420	1	-		0.6	B9EG	3530			
440 EXC		440	1	1994-		0.6	BR9EIX**	3981			
440 SX		440	1	1994-		0.6	BR9EIX**	3981			
450 EXC		450	1	2008-2009		0.9	LKAR8A-9	4786			
450 EXC		450	1	2010-		0.9	LKAR8A-9	6706			
450 EXC-F		450	1	2017-		1.0	LMAR9A-10	93188			
450 EXC-R		450	1	2007-		0.9	LKAR8A-9	4786			
450 EXC Racing		450	1	2003-		0.6	DCPR8E	4179		DCPR8EIX	6546
450 EXC Racing GS		450	1	2003-		0.6	DCPR8E	4179		DCPR8EIX	6546
450 EXC Six Days		450	1	2010-		0.9	LKAR8A-9	6706			
450 FE		450	1	2010-		0.9	LKAR8A-9	6706			
450 FX		450	1	2010-		0.9	LKAR8A-9	6706			
450 MXC Desert Racing		450	1	2003-		0.6	DCPR8E	4179		DCPR8EIX	6546
450 MXC GS		450	1	2003-		0.6	DCPR8E	4179		DCPR8EIX	6546
450 Rallye Replica		450	1	2014-		0.8	CR9EKB	2305			
450 SMR		450	1	2004-2007	12mm Thread Size / 19mm Thread Reach	0.6	DCPR8E DCR8EIX**	4179 3606		DCPR8EIX	6546
450 SMR		450	1	2005-		0.7	CR9EKB	2305			
450 SMR		450	1	2008-	10mm Thread Size / 19mm Thread Reach	0.8	CR9EKB	2305			
450 SX-F		450	1	2007-2009		0.7	CR9EKB	2305			
450 SX-F		450	1	2010-		0.7	CR9EKB	2305			
450 SX-F		450	1	2013-		0.9	LKAR8A-9	6706			
450 SX-F Factory Repl. Nagl Edition		450	1	2010-		0.7	CR9EKB	2305			
450 SX Racing		450	1	2003-		0.6	DCPR8E	4179		DCPR8EIX	6546
450 XC-W		450	1	2010-		0.9	LKAR8A-9	6706			
450 XC-W Six Days		450	1	2010-		0.9	LKAR8A-9	6706			
505 SX-F		477	1	2007-		0.7	CR9EKB	2305			
495		495	1	-		0.6	B9EG	3530			
500 4 TGS		500	1	-		0.9	DP9EA-9	6629		DPR9EIX-9	5545

*Bitte Elektrodenabstand nach Angaben des Herstellers justieren

*Please adjust the ground electrode gap

*Veuillez vérifier l'écartement

* Por favor, ajustar la distancia entre los electrodos

*Regolare il gap

** Iridium IX Spark Plug is the standard recommendation





Stock No.

Quick No.

Upgrade ↑

Stock No. ↑

KTM

500 4 TXC		500	1	-		0.9	DP9EA-9	6629		DPR9EIX-9	5545
500 DXC		500	1	-		0.6	B9ES	2611	Q202	BR9EIX	3981
500 EXC		500	1	-		0.6	B9ES	2611	Q202	BR9EIX	3981
500 EXC-F		500	1	2017-		1.0	LMAR9AI-10	93188			
500 GS		500	1	-		0.6	B10EG D8EA	3630 2120	Q216	DR8EIX	6681
500 MC		500	1	-		0.6	B10EG D8EA	3630 2120	Q216	DR8EIX	6681
500 MX		500	1	-		0.6	BR9EIX**	3981			
500 SX		500	1	1993-		0.6	B10ES	7928		BR10EIX	6801
510 EXC Racing		510	1	2008-		0.9	LKAR8A-9	4786			
525 XC Desert Racing		510	1	2007-2007		0.6	DCPR8E	4179		DCPR8EIX	6546
520 EXC Racing		520	1	1999-2002		0.7	CR8EK	3478			
520 EXC Racing		520	1	2002-		0.6	DCPR8E	4179		DCPR8EIX	6546
520 EXC Six Days		520	1	1999-2002		0.7	CR8EK	3478			
520 SX Racing		520	1	1999-2002		0.7	CR8EK	3478			
520 SX Racing		520	1	2002-		0.6	DCPR8E	4179		DCPR8EIX	6546
525 EXC Racing		525	1	2003-		0.6	DCPR8E	4179		DCPR8EIX	6546
525 EXC Racing GS		525	1	2003-		0.6	DCPR8E	4179		DCPR8EIX	6546
525 MXC		525	1	2003-		0.6	DCPR8E	4179		DCPR8EIX	6546
525 MXC Desert Racing		525	1	2005-		0.6	DCPR8E	4179		DCPR8EIX	6546
525 SMR		525	1	2005-		0.6	DCPR8E	4179		DCPR8EIX	6546
525 SX Racing		525	1	2003-		0.6	DCPR8E	4179		DCPR8EIX	6546
520 EXC-R		530	1	2007-		0.7	LKAR8A-9	4786			
530 EXC		530	1	2008-2009		0.9	LKAR8A-9	4786			
530 EXC		530	1	2010-		0.9	LKAR8AI-9	6706			
530 EXC Six Days		530	1	2010-		0.9	LKAR8AI-9	6706			
530 XC-W		530	1	2010-		0.9	LKAR8AI-9	6706			
530 XC-W Six Days		530	1	2010-		0.9	LKAR8AI-9	6706			
540 DXC		540	1	-		0.6	BR10EIX**	6801			
540 MX		540	1	-		0.6	B9ES	2611	Q202	BR9EIX	3981
540 SXC		540	1	1998-		0.6	D8EA	2120	Q216	DR8EIX	6681
540 SXC		540	1	1999-		0.6	D8EA	2120	Q216	DR8EIX	6681
540 SXC		540	1	1999-	27hp	0.6	D8EA	2120	Q216	DR8EIX	6681
540 SXS Racing		540	1	2002-		0.7	CR8EK	3478			
560 SMR		565	1	2007-		0.6	DCPR8E	4179		DCPR8EIX	6546
570 FE		570	1	2010-		0.9	LKAR8AI-9	6706			
570 FS		570	1	2010-		0.9	LKAR8AI-9	6706			
600 4 TGS		600	1	-		0.9	DP9EA-9	6629		DPR9EIX-9	5545
600 4 TMX		600	1	-		0.9	DP9EA-9	6629		DPR9EIX-9	5545
600 4 TXC		600	1	-		0.9	DP9EA-9	6629		DPR9EIX-9	5545
600 Country		600	1	-		0.6	D8EA	2120	Q216	DR8EIX	6681
600 EGS LC4		600	1	1993-		0.6	D8EA	2120	Q216	DR8EIX	6681
600 Enduro		600	1	-		0.6	D8EA	2120	Q216	DR8EIX	6681
600 EXC LC4		600	1	1993-		0.6	D8EA	2120	Q216	DR8EIX	6681
600 MX		600	1	-		0.6	D8EA	2120	Q216	DR8EIX	6681
620 Duke		609	1	1994-		0.6	D8EA	2120	Q216	DR8EIX	6681
620 LC4 Super Competition		609	1	2001-2002		0.7	DR8EA	7162		DR8EIX	6681
620 SC Supermoto LC4		609	1	2001-2002		0.7	DR8EA	7162		DR8EIX	6681
612 EGS LC4		612	1	1993-		0.6	D8EA	2120	Q216	DR8EIX	6681
612 EXC LC4		612	1	1993-		0.6	D8EA	2120	Q216	DR8EIX	6681
619 LC4 Rallye		620	1	1997-		0.6	D8EA	2120	Q216	DR8EIX	6681

* Bitte Elektrodenabstand nach Angaben des Herstellers justieren

* Please adjust the ground electrode gap

* Veuillez vérifier l'écartement

* Por favor, ajustar la distancia entre los electrodos

* Regolare il gap

* Iridium IX Spark Plug is the standard recommendation





Stock No.

Quick No.

Upgrade ↑

Stock No. ↑

KTM

620 Duke-E		620	1	1997-		0.6	DR8EA	7162		DR8EIX	6681
620 EGS		620	1	1997-		0.6	D8EA	2120	Q216	DR8EIX	6681
620 EGS-E		620	1	1997-		0.6	DR8EA	7162		DR8EIX	6681
620 LC4 620 EGS		620	1	1994-		0.6	D8EA	2120	Q216	DR8EIX	6681
620 LC4 620 EGS-E		620	1	1999-		0.9	DPR8EA-9	4929	Q221	DPR8EIX-9	2202
620 LC4 620 EXC		620	1	1994-		0.6	D8EA	2120	Q216	DR8EIX	6681
620 LC4 620 LES		620	1	1999-		0.9	DPR8EA-9	4929	Q221	DPR8EIX-9	2202
620 LC4 620 SX		620	1	1994-		0.6	D8EA	2120	Q216	DR8EIX	6681
620 LC4 Rallye		620	1	1999-		0.9	DPR8EA-9	4929	Q221	DPR8EIX-9	2202
620 LC4 Super Competition		620	1	2000-2002		0.9	DPR8EA-9	4929	Q221	DPR8EIX-9	2202
620 LC4 Super Competition Supermoto		620	1	2002-		0.6	DCPR8E	4179		DCPR8EIX	6546
620 LS-E		620	1	1997-		0.6	DR8EA	7162		DR8EIX	6681
620 SC		620	1	1996-		0.6	D8EA	2120	Q216	DR8EIX	6681
620 SC		620	1	1998-		0.6	D8EA	2120	Q216	DR8EIX	6681
620 Super Competition		620	1	1997-2002		0.6	D8EA	2120	Q216	DR8EIX	6681
620 Supermoto Competition		620	1	1998-2000		0.6	D8EA	2120	Q216	DR8EIX	6681
620 SX		620	1	1996-		0.6	D8EA	2120	Q216	DR8EIX	6681
620 SX		620	1	1999-		0.6	D8EA	2120	Q216	DR8EIX	6681
625 SC		625	1	2002-		0.9	DPR8EA-9	4929	Q221	DPR8EIX-9	2202
625 SC Enduro		625	1	2000-		0.7	DCPR8E	4339		DCPR8EIX	6546
625 SC Super Moto		625	1	2000-		0.7	DCPR8E	4339		DCPR8EIX	6546
625 SMC		625	1	2005-		0.6	DCPR8E	4179		DCPR8EIX	6546
625 SXC Hard Enduro		625	1	2003-		0.6	DCPR8E	4179		DCPR8EIX	6546
625 SXC Super Moto		625	1	2002-		0.6	DCPR8E	4179		DCPR8EIX	6546
640 Adventure R		640	1	1998-2001		0.7	DR8EA	7162		DR8EIX	6681
640 Duke		640	1	1998-2001		0.7	DR8EA	7162		DR8EIX	6681
640 Duke		640	1	2005-		0.6	DCPR8E	4339		DCPR8EIX	6546
640 Duke 2		640	1	2002-2002		0.9	DPR8EA-9	4929	Q221	DPR8EIX-9	2202
640 Duke II LC4		640	1	2003-		0.6	DCPR8E	4179		DCPR8EIX	6546
640 Hard Enduro LC4		640	1	2003-		0.6	DCPR8E	4179		DCPR8EIX	6546
640 LC4		640	1	1998-1999		0.7	DR8EA	7162		DR8EIX	6681
640 LC4		640	1	1999-2001		0.7	DR8EA	7162		DR8EIX	6681
640 LC4		640	1	2002-2002		0.9	DPR8EA-9	4929	Q221	DPR8EIX-9	2202
640 LC4 Adventure		640	1	2000-2000		0.9	DPR8EA-9	4929	Q221	DPR8EIX-9	2202
640 LC4 Adventure		640	1	2001-2002		0.7	DPR8EA-9	4929	Q221	DPR8EIX-9	2202
640 LC4 Adventure		640	1	2002-2002		0.9	DPR8EA-9	4929	Q221	DPR8EIX-9	2202
640 LC4 Adventure R		640	1	1999-		0.6	D8EA	2120	Q216	DR8EIX	6681
640 LC4 Adventure R		640	1	2000-		0.9	DPR8EA-9	4929	Q221	DPR8EIX-9	2202
640 LC4 Adventure R		640	1	2002-		0.6	DCPR8E	4179		DCPR8EIX	6546
640 LC4-E		640	1	2000-2000		0.9	DPR8EA-9	4929	Q221	DPR8EIX-9	2202
640 LC4-E		640	1	2002-		0.6	DCPR8E	4179		DCPR8EIX	6546
640 LC4-E Enduro		640	1	2001-2001		0.7	DR8EA	7162		DR8EIX	6681
640 LC4-E Six Days		640	1	2002-2002		0.9	DPR8EA-9	4929	Q221	DPR8EIX-9	2202
640 LC4-E SM Prestige		640	1	2002-2002		0.9	DPR8EA-9	4929	Q221	DPR8EIX-9	2202
640 LC4-E Supermoto		640	1	1999-		0.6	D8EA	2120	Q216	DR8EIX	6681
640 LC4-E Supermoto		640	1	2000-2000		0.9	DPR8EA-9	4929	Q221	DPR8EIX-9	2202
640 LC4-E Supermoto		640	1	2001-2001		0.7	DR8EA	7162		DR8EIX	6681
640 LC4-E Supermoto		640	1	2002-2002		0.6	DCPR8E	4179		DCPR8EIX	6546
640 LC4 Prestige Supermoto		640	1	2003-		0.6	DCPR8E	4179		DCPR8EIX	6546
640 LC4 Rallye		640	1	1998-		0.6	D8EA	2120	Q216	DR8EIX	6681
640 LC4 SM		640	1	2005-		0.6	DCPR8E	4339		DCPR8EIX	6546

*Bitte Elektrodenabstand nach Angaben des Herstellers justieren

*Please adjust the ground electrode gap

*Veuillez vérifier l'écartement

* Por favor, ajustar la distancia entre los electrodos

*Regolare il gap

** Iridium IX Spark Plug is the standard recommendation





Stock No.

Quick No.

Upgrade ↑

Stock No. ↑

KTM

640 LC4 Supermoto		640	1	2002-2002		0.9	DPR8EA-9	4929	Q221	DPR8EIX-9	2202
640 Supermoto Spezial Edition		640	1	2003-		0.6	DCPR8E	4179		DCPR8EIX	6546
Duke		640	1	2005-		0.6	DCPR8E	4179		DCPR8EIX	6546
Duke II		640	1	1999-2000		0.7	DR8EA	7162		DR8EIX	6681
Duke II		640	1	2000-2002		0.9	DPR8EA-9	4929	Q221	DPR8EIX-9	2202
Duke II		640	1	2002-		0.6	DCPR8E	4179		DCPR8EIX	6546
660 LC4		660	1	2003-		0.6	DR9EA	3437	Q219	DR9EIX	4772
660 LC4 Enduro		660	1	2008-		0.9	LKAR8A-9	4786			
660 LC4 Rallye		660	1	1999-2001		0.6	DR8EA	7162		DR8EIX	6681
660 LC4 Rallye Replica		660	1	2008-		0.9	LKAR8A-9	4786			
660 Rallye		660	1	2000-2001		0.9	DPR8EA-9	4929	Q221	DPR8EIX-9	2202
660 Rallye		660	1	2002-2002		0.6	DR9EA	3437	Q219	DR9EIX	4772
660 SMC		660	1	2003-		0.7	DCPR8E	4339		DCPR8EIX	6546
660 SMC		660	1	2005-		0.6	DCPR8E	4179		DCPR8EIX	6546
660 SMC		660	1	2007-		0.9	LKAR8AI-9	6706			
660 Supermoto Factory Replica		660	1	2002-		0.6	DR9EA	3437	Q219	DR9EIX	4772
690 LC4 Prestige		660	1	2007-		0.9	LKAR8AI-9	6706			
690 LC4 Supermoto		660	1	2007-		0.9	LKAR8AI-9	6706			
690 Duke		690	1	2010-2011		0.9	LKAR8AI-9	6706			
690 Duke		690	1	2012-2015	Twin Spark	0.9	LKAR8BI9 LMAR7A-9	1553 4908			
690 Duke		690	1	2016-	Twin Spark	1.0	LKAR9BI-10 LMAR7Df-10	95371 96956			
690 Duke III LC4		690	1	2008-2009		0.9	LKAR8A-9	4786			
690 Duke R		690	1	2010-2011		0.9	LKAR8AI-9	6706			
690 Duke R		690	1	2012-2015	Twin Spark	0.9	LKAR8BI9 LMAR7A-9	1553 4908			
690 Duke R		690	1	2016-2016	Twin Spark	1.0	LKAR9BI-10 LMAR7Df-10	95371 96956			
690 Enduro		690	1	2009-2013		0.9	LKAR8AI-9	6706			
690 Enduro R		690	1	2008-		0.9	LKAR8AI-9	6706			
690 Enduro R		690	1	2010-		0.9	LKAR8AI-9	6706			
690 Enduro R		690	1	2014-	Twin Spark 67hp	0.8	LKAR8BI9 LMAR7A-9	1553 4908			
690 EXC		690	1	2007-2011		0.9	LKAR8A-9	4786			
690 LC4 Supermoto		690	1	2007-		0.9	LKAR8AI-9	6706			
690 SM		690	1	-		0.9	LKAR8AI-9	6706			
690 SM		690	1	2007-		0.9	LKAR8AI-9	6706			
690 SMC		690	1	2010-		0.9	LKAR8AI-9	6706			
690 SMC R Supermoto		690	1	2012-2013	67hp	0.9	LKAR8AI-9	6706			
690 SMC R Supermoto		690	1	2014-	Twin Spark 67hp	0.9	LKAR9BI9 LMAR7A-9	6205 4908			
790 Duke		790	2	2018-	105hp	1.0	LMAR9AI-10	93188			
950 Adventure		950	2	2003-2004		0.7	CR8EK	3478			
950 Adventure		950	2	2004-		0.7	CR8EK	3478			
950 Adventure S		950	2	2003-2004		0.7	CR8EK	3478			
950 Adventure S		950	2	2004-		0.7	CR8EK	3478			
950 Enduro		950	2	2006-		0.7	CR8EK	3478			
950 LC8 EFI V2		950	2	2009-		0.8	KR8DI	4742			
950 LC8 Rally		950	2	2003-2007		0.7	CR8EK	3478			
950 Super Enduro R		950	2	-		0.7	CR8EK	3478			
950 Super Enduro R LC8		950	2	2006-		0.7	CR8EK	3478			
950 Supermoto		950	2	2005-2006		0.7	CR8EK	3478			
950 Supermoto LC8		950	2	2005-		0.7	CR8EK	3478			

* Bitte Elektrodenabstand nach Angaben des Herstellers justieren

* Please adjust the ground electrode gap

* Veuillez vérifier l'écartement

* Por favor, ajustar la distancia entre los electrodos

* Regolare il gap

* Iridium IX Spark Plug is the standard recommendation





Stock No.

Quick No.

Upgrade ↑

Stock No. ↑

KTM

950 Supermoto R		950	2	2007-		0.7	CR8EK	3478			
990 Super Duke	LC8	990	2	2010-		0.8	KR8DI	4742			
990 Super Duke R	LC8	990	2	-		0.6	DCPR8E	4339		DCPR8EIX	6546
990 Super Duke R	LC8	990	2	2010-		0.9	LKAR8AI-9	6706			
990 Supermoto R	LC8	990	2	2010-		0.8	KR8DI	4742			
990 Supermoto T	LC8	990	2	2010-		0.8	KR8DI	4742			
990 Adventure	LC8	1000	2	2006-2009		0.6	DCPR8E	4179		DCPR8EIX	6546
990 Adventure	LC8	1000	2	2008-		0.9	LKAR8BI9	1553			
990 Adventure R	LC8	1000	2	2008-		0.9	LKAR8BI9	1553			
990 Adventure S	LC8	1000	2	2006-2009		0.6	DCPR8E	4179		DCPR8EIX	6546
990 Duke	LC8	1000	2	2004-2009		0.6	DCPR8E	4179		DCPR8EIX	6546
990 LC8 Adventure	LC8	1000	2	2006-2008		0.9	DCPR8E	4339		DCPR8EIX	6546
990 LC8 Adventure	LC8	1000	2	2008-		0.9	LKAR8BI9	1553			
990 SM-R	LC8	1000	2	2009-2009		0.8	KR8DI	4742			
990 SM-R	LC8	1000	2	2012-		0.9	LKAR8BI9	1553			
990 SM-T	LC8	1000	2	2009-2010		0.8	KR8DI	4742			
990 SM-T ABS	LC8	1000	2	2011-2013		0.9	LKAR8BI9	1553			
990 Super Duke	LC8	1000	2	2005-2006		0.6	DCPR8E	4179		DCPR8EIX	6546
990 Super Duke	LC8	1000	2	2007-2009		0.8	KR8DI	4742			
990 Superduke R LC8	LC8	1000	2	2008-		0.9	LKAR8AI-9	6706			
990 Supermoto LC8	LC8	1000	2	2008-		0.8	KR8DI	4742			
990 Supermoto R	LC8	1000	2	2009-		0.8	KR8DI	4742			
1050 Adventure		1050	2	2015-2016	Twin Spark 95hp	1.0	LKAR9BI-10 LMAR7DI-10	95371 96956			
1090 Adventure		1090	2	2017-	Twin Spark 125hp	1.0	LKAR9BI-10 LMAR7DI-10	95371 96956			
1090 Adventure L		1090	2	2017-	Twin Spark 125hp	1.0	LKAR9BI-10 LMAR7DI-10	95371 96956			
1090 Adventure R		1090	2	2017-	Twin Spark 125hp	1.0	LKAR9BI-10 LMAR7DI-10	95371 96956			
1190	RC8	1190	2	2010-	Twin Spark	0.9	LKAR9BI9 LMAR7A-9	6205 4908			
1190 Adventure		1190	2	2013-2016	Twin Spark 150hp	0.9	LKAR9BI9 LMAR7A-9	6205 4908			
1190 Adventure R		1190	2	2013-2016	Twin Spark 150hp	0.9	LKAR9BI9 LMAR7A-9	6205 4908			
1190 R	RC8R	1190	2	2011-	Twin Spark	0.9	LKAR9BI9 LMAR7A-9	6205 4908			
1190 R Akrapovic Edition	RC8	1190	2	2010-	Twin Spark	0.9	LKAR9BI9 LMAR7A-9	6205 4908			
1190 RC8	RC8	1190	2	2008-		0.9	LKAR9BI9	6205			
1190 RC8 R	RC8	1190	2	2010-	Twin Spark	0.9	LKAR9BI9 LMAR7A-9	6205 4908			
1190 R Red Bull	RC8	1190	2	2010-	Twin Spark	0.9	LKAR9BI9 LMAR7A-9	6205 4908			
1290 Super Adventure		1290	2	2015-2016	Twin Spark 160hp	1.0	LKAR9BI-10 LMAR7DI-10	95371 96956			
1290 Super Adventure R		1290	2	2017-	Twin Spark 160hp	1.0	LKAR9BI-10 LMAR7DI-10	95371 96956			
1290 Super Adventure S		1290	2	2017-	Twin Spark 160hp	1.0	LKAR9BI-10 LMAR7DI-10	95371 96956			
1290 Super Adventure T		1290	2	2017-2017	Twin Spark 160hp	1.0	LKAR9BI-10 LMAR7DI-10	95371 96956			
1290 Super Duke R		1290	2	2014-2016	Twin Spark 180hp	0.9	LKAR9BI9 LMAR7A-9	6205 4908			
Super Duke 1290 GT		1290	2	2016-	Twin Spark 173hp	1.0	LKAR9BI-10 LMAR7DI-10	95371 96956			
Super Duke 1290 R Special Edition		1290	2	2016-2016	Twin Spark	0.9	LKAR9BI9 LMAR7A-9	6205 4908			

KUANG YANG

GS7E - Movie		50	1	-		0.6	BP6HSA	1046		BPR6HIX	4085
KA 50		50	1	-		0.6	BP6HSA	1046		BPR6HIX	4085

*Bitte Elektrodenabstand nach Angaben des Herstellers justieren

*Please adjust the ground electrode gap

*Veuillez vérifier l'écartement

* Por favor, ajustar la distancia entre los electrodos

*Regolare il gap

** Iridium IX Spark Plug is the standard recommendation





Stock No.

Quick No.

Upgrade ↑

Stock No. ↑

KUANG YANG

KA 50G		50	1	-		0.6	BP6HSA	1046		BPR6HIX	4085
--------	--	----	---	---	--	-----	--------	------	--	---------	------

KYMGCO

Agility 50 4T		50	1	2005-		0.5	CR7HSA	4549		CR7HIX	7544
Agility 50 MMC 4T		50	1	2005-		0.5	CR7HSA	4549		CR7HIX	7544
Agility 50 R10		50	1	-2009		0.7	CR7HSA	4549		CR7HIX	7544
Agility 50 R10		50	1	2010-		0.6	CR7HSA	4549		CR7HIX	7544
Agility 50 R12		50	1	-2009		0.7	CR7HSA	4549		CR7HIX	7544
Agility 50 R12		50	1	2010-		0.7	C7HSA	4629		CR7HIX	7544
Agility 50 R16		50	1	-2009		0.7	CR7HSA	4549		CR7HIX	7544
Agility 50 R16		50	1	2010-		0.7	CR7HSA	4549		CR7HIX	7544
Agility 50 RS		50	1	-		0.7	CR7HSA	4549		CR7HIX	7544
Agility Basic 50		50	1	-		0.6	CR7HSA	4549		CR7HIX	7544
Agility City 50		50	1	-		0.6	CR7HSA	4549		CR7HIX	7544
Agility One 50		50	1	-		0.6	CR7HSA	4549		CR7HIX	7544
Bet & Win 50LC		50	1	-	Water fluid	0.7	BR8HSA	5539			
Calypso 50		50	1	1997-		0.6	BR8HS	4915	Q212	BR8HIX	7001
Cobra Cross		50	1	1997-		0.6	BR8HSA	5539			
Cobra Racer		50	1	1997-		0.6	BR8HSA	5539			
CSX 50		50	1	-		0.6	BR8HSA	5539			
Curio		50	1	-		0.6	BR8HSA	5539			
CX 50		50	1	-		0.6	BR8HSA	5539			
CX 50 Super		50	1	-		0.6	BR8HSA	5539			
Dink 50 2T		50	1	1999-2006		0.6	BR8HSA	5539			
Dink 50 4T		50	1	2006-		0.7	CR7HSA	4549		CR7HIX	7544
Dink 50 LC		50	1	-	Water fluid	0.7	BR8HSA	5539			
DJ 50		50	1	-		0.6	BR8HSA	5539			
DJ 50		50	1	1993-	Constr.Code W / X / Y	0.6	BR8HSA	5539			
Fever II ZX 50		50	1	-		0.6	BR8HSA	5539			
Fever ZX 50		50	1	-		0.6	BR8HSA	5539			
Filly 50		50	1	1998-		0.7	C7HSA	4629		CR7HIX	7544
Filly 50		50	1	1998-	UK	0.7	CR7HSA	4549		CR7HIX	7544
Filly 50 LX		50	1	1999-		0.7	CR7HSA	4549		CR7HIX	7544
Flexer		50	1	2001-		0.6	B6HS	4510		BR6HIX	3419
Grand Dink 50 2T		50	1	2005-		0.6	BR8HSA	5539			
Grand Dink 50s		50	1	-		0.6	BR8HSA	5539			
Heroism 50		50	1	-		0.6	BR8HSA	5539			
K 12 50		50	1	-		0.6	BR8HSA	5539			
KB 50		50	1	-		0.6	BR8HSA	5539			
Like 50 2T		50	1	2009-		0.6	BR8HSA	5539			
Like 50 4T		50	1	2009-		0.6	CR7HSA	4549		CR7HIX	7544
Nexxon 50		50	1	-		0.6	CR7HSA	4549		CR7HIX	7544
People 50		50	1	1999-		0.7	BR8HSA	5539			
People S 50 2T		50	1	1999-		0.7	BR8HSA	5539			
People S 50 4T		50	1	2006-		0.6	CR7HSA	4549		CR7HIX	7544
Quadro		50	1	2001-		0.6	B6HS	4510		BR6HIX	3419
Renouvo 2T		50	1	-		0.7	BR8HSA	5539			
Scout		50	1	1997-		0.6	BR8HSA	5539			
Sento 50		50	1	2009-		0.6	CR7HSA	4549		CR7HIX	7544
Sniper 50		50	1	1993-		0.6	BR8HSA	5539			
Snuper 50 DD		50	1	-		0.6	BR8HSA	5539			
Spacer 50		50	1	1999-		0.6	BR8HSA	5539			

*Bitte Elektrodenabstand nach Angaben des Herstellers justieren

*Please adjust the ground electrode gap

*Veuillez vérifier l'écartement

* Por favor, ajustar la distancia entre los electrodos

*Regolare il gap

* Iridium IX Spark Plug is the standard recommendation





Stock No.

Quick No.

Upgrade ↑

Stock No. ↑

KYMCO

Super 8 50 2T		50	1	2009-		0.6	BR8HSA	5539			
Super 8 50 4T		50	1	2007-2012		0.5	CR7HSA	4549		CR7HIX	7544
Super 9 AC		50	1	2001-		0.6	BR8HSA	5539			
Super 9 AC 50 Sports		50	1	2001-		0.6	BR8HSA	5539			
Super 9 AC 50 Sports		50	1	2003-		0.6	BR8HSA	5539			
Super 9 LC		50	1	2001-		0.6	BR8HSA	5539			
Tomos Classic		50	1	2001-		0.6	B6HS	4510		BR6HIX	3419
Tomos TX 50		50	1	2001-		0.6	B6HS	4510		BR6HIX	3419
Top Boy 50		50	1	2001-		0.6	BR8HSA	5539			
Vitality 50 2T		50	1	2005-		0.6	BR8HSA	5539			
Vitality 50 4T		50	1	2005-		0.5	CR7HSA	4549		CR7HIX	7544
Vitality 50 Cross		50	1	-		0.6	BR8HSA	5539			
Vitality 50 Sports		50	1	-		0.6	BR8HSA	5539			
Yager 50 2T		50	1	2001-		0.6	BR8HSA	5539			
Yager GT 50		50	1	-		0.6	CR7HSA	4549		CR7HIX	7544
YUP 50		50	1	2000-		0.6	BR8HSA	5539			
ZX 50		50	1	-		0.6	BR8HSA	5539			
Cobra Racer 100		100	1	1999-		0.6	BR8HSA	5539			
Agility 125		125	1	2005-		*	CR7HSA	4549		CR7HIX	7544
Agility 125 R16		125	1	2005-		*	CR7HSA	4549		CR7HIX	7544
Agility 125 RS		125	1	2005-		*	CR7HSA	4549		CR7HIX	7544
Calypso 125		125	1	1997-		0.6	C7HSA	4629		CR7HIX	7544
CK 125		125	1	2004-		0.7	DR8EA	7162		DR8EIX	6681
CK 125		125	1	2005-		0.6	DR8EA	7162		DR8EIX	6681
Cruiser 125		125	1	-		0.7	CR8E	4854	Q226	CR8EIX	4218
Dink 125 4T		125	1	1999-		0.9	DPR7EA-9	5129	Q220	DPR7EIX-9	7803
Dink 125 DD		125	1	1999-		0.9	DPR7EA-9	5129	Q220	DPR7EIX-9	7803
Dink Street 125		125	1	-		0.8	CR7E	4578	Q225	CR7EIX	7385
Downtown 125 i		125	1	2009-		0.7	CR7E	4578	Q225	CR7EIX	7385
Ego 125		125	1	2000-		0.9	DPR7EA-9	5129	Q220	DPR7EIX-9	7803
G-Dink 125		125	1	2012-		0.9	DPR6EA-9	5531			
Grand Dink		125	1	2001-		0.9	DPR7EA-9	5129	Q220	DPR7EIX-9	7803
Grand Dink 125 4T		125	1	1999-		0.9	DPR7EA-9	5129	Q220	DPR7EIX-9	7803
Grand Dink 125 S		125	1	-		0.9	DPR7EA-9	5129	Q220	DPR7EIX-9	7803
Heroism 125		125	1	-		0.7	C7HSA	4629		CR7HIX	7544
Hipster 125		125	1	-	4 valves	0.7	CR8E	4854	Q226	CR8EIX	4218
Hipster 125		125	1	-		0.7	DR8EA	7162		DR8EIX	6681
Hipster 125		125	1	2001-	2 valves	0.7	DR8EA	7162		DR8EIX	6681
Hipster 125		125	1	2001-	4stroke	0.6	CR8E	4854	Q226	CR8EIX	4218
K-Pipe 125 E3		125	1	2012-		0.6	CR7HSA	4549		CR7HIX	7544
K-XCT 125i		125	1	2013-		0.7	CR7E	4578	Q225	CR7EIX	7385
Like 125		125	1	2009-		0.6	CR7HSA	4549		CR7HIX	7544
Like LX 125 E3		125	1	2012-		0.6	CR7HSA	4549		CR7HIX	7544
Météorit		125	1	-		0.7	DR8EA	7162		DR8EIX	6681
Movie 125 4T		125	1	-		0.6	C7HSA	4629		CR7HIX	7544
Movie 125 XL		125	1	2002-		0.7	CR7HSA	4549		CR7HIX	7544
Off Road	Stryker	125	1	1999-		0.7	DR8EA	7162		DR8EIX	6681
On Road	Stryker	125	1	1999-		0.7	DR8EA	7162		DR8EIX	6681
People 125		125	1	2005-		0.6	C7HSA	4629		CR7HIX	7544
People 125 E3		125	1	2008-		*	CR7HSA	4549		CR7HIX	7544
People 125 GTi		125	1	2010-		0.6	CR7HSA	4549		CR7HIX	7544
People One 125i		125	1	2013-		0.7	CR7E	4578	Q225	CR7EIX	7385

* Bitte Elektrodenabstand nach Angaben des Herstellers justieren

* Please adjust the ground electrode gap

* Veuillez vérifier l'écartement

* Por favor, ajustar la distancia entre los electrodos

* Regolare il gap

** Iridium IX Spark Plug is the standard recommendation





Stock No.

Quick No.

Upgrade ↑

Stock No. ↑

KYMCO

People S 125 DD		125	1	2008-		*	CR7HSA	4549		CR7HIX	7544
People S 125i		125	1	2005-		0.6	CR7HSA	4549		CR7HIX	7544
Pulsar 125		125	1	2001-		0.7	DR8EA	7162		DR8EIX	6681
Pulsar 125 4T		125	1	2001-		0.7	DR8EA	7162		DR8EIX	6681
Quannon 125		125	1	2007-		0.7	CR8E	4854	Q226	CR8EIX	4218
Quannon 125 Naked		125	1	2010-		0.7	CR8E	4854	Q226	CR8EIX	4218
Sector 125		125	1	1998-		0.7	DR8EA	7162		DR8EIX	6681
Spacer 125		125	1	-		0.9	DPR7EA-9	5129	Q220	DPR7EIX-9	7803
Spacer 125		125	1	1997-		0.6	DPR7EA-9	5129	Q220	DPR7EIX-9	7803
Stryker 125		125	1	1999-		0.7	DR8EA	7162		DR8EIX	6681
Stryker 125 II		125	1	2002-		0.7	DR8EA	7162		DR8EIX	6681
Super 8 125		125	1	-	10mm Thread Size / 12,7mm Thread Reach	0.7	CR7HSA	4549		CR7HIX	7544
Super 8 125		125	1	2007-	12mm Thread Size / 19mm Thread Reach	0.9	DPR7EA-9	5129	Q220	DPR7EIX-9	7803
Super 8 125		125	1	2007-2008		0.7	CR7HSA	4549		CR7HIX	7544
Super 8 125		125	1	2008-2012		0.7	CR7HSA	4549		CR7HIX	7544
Vivio		125	1	1999-		0.7	CR7HSA	4549		CR7HIX	7544
Yager 125 4T		125	1	2001-		0.9	DPR7EA-9	5129	Q220	DPR7EIX-9	7803
Yager GT 125		125	1	2007-		0.9	DPR7EA-9	5129	Q220	DPR7EIX-9	7803
Zing 125		125	1	1997-1998		0.6	DR8EA	7162		DR8EIX	6681
Zing 125		125	1	1999-		0.7	DR8EA	7162		DR8EIX	6681
Zing II		125	1	2008-		0.7	CR8E	4854	Q226	CR8EIX	4218
Agility 150 R16		150	1	2008-		0.7	CR7HSA	4549		CR7HIX	7544
Heroism 150		150	1	1995-		0.7	C7HSA	4629		CR7HIX	7544
People 150		150	1	1999-		0.9	DPR7EA-9	5129	Q220	DPR7EIX-9	7803
Dink 200 i DD		200	1	2008-		0.9	DPR6EA-9	5531			
Downtown 200i		200	1	2009-		0.7	CR7E	4578	Q225	CR7EIX	7385
Like 200 i		200	1	2009-		0.6	CR7HSA	4549		CR7HIX	7544
People GT 200i		200	1	2010-		0.7	CR7E	4578	Q225	CR7EIX	7385
People S 200 DD		200	1	2007-		0.7	CR7HSA	4549		CR7HIX	7544
People S 200i		200	1	2007-		0.7	CR7HSA	4549		CR7HIX	7544
Yager GT 200i		200	1	2007-		0.9	DPR6EA-9	5531			
Dink 250 4T		250	1	1999-		0.9	DPR7EA-9	5129	Q220	DPR7EIX-9	7803
Ego 250		250	2	2000-		0.9	DPR7EA-9	5129	Q220	DPR7EIX-9	7803
Grand Dink 250		250	1	2001-		0.9	DPR7EA-9	5129	Q220	DPR7EIX-9	7803
Grand Dink 250 4T		250	1	1999-		0.9	DPR7EA-9	5129	Q220	DPR7EIX-9	7803
People 250		250	2	2003-		0.9	DPR7EA-9	5129	Q220	DPR7EIX-9	7803
People 250		250	1	2005-		0.9	DPR7EA-9	5129	Q220	DPR7EIX-9	7803
People S 250i	D21000	250	1	2007-	21hp	0.9	DPR6EA-9	5531			
Venox 250 4T		250	2	2001-		0.9	DPR7EA-9	5129	Q220	DPR7EIX-9	7803
Venox 250 4T		250	2	2002-		0.8	CR8E	4854	Q226	CR8EIX	4218
Xciting 250		250	1	2005-		0.9	DPR7EA-9	5129	Q220	DPR7EIX-9	7803
Xciting 250i		250	1	2007-		0.9	DPR6EA-9	5531			
Dink Street		300	1	-		0.7	CR7E	4578	Q225	CR7EIX	7385
Downtown 300i		300	1	2009-		0.7	CR7E	4578	Q225	CR7EIX	7385
Grand Dink 300i		300	1	2012-		0.9	DPR6EA-9	5531			
K-XCT 300i		300	1	2012-		0.7	CR7E	4578	Q225	CR7EIX	7385
People GT 300i		300	1	2010-		0.7	CR7E	4578	Q225	CR7EIX	7385
People S 300i		300	1	2007-		0.9	DPR6EA-9	5531			
People S 300i		300	1	2008-		0.9	DPR6EA-9	5531			
Xciting 300i R		300	1	2009-		0.9	DPR6EA-9	5531			

* Bitte Elektrodenabstand nach Angaben des Herstellers justieren

* Please adjust the ground electrode gap

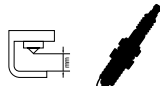
* Veuillez vérifier l'écartement

* Por favor, ajustar la distancia entre los electrodos

* Regolare il gap

* Iridium IX Spark Plug is the standard recommendation





Stock No.

Quick No.

Upgrade ↑

Stock No. ↑

KYMCO

Xciting 300 R		300	1	-		0.9	CPR6EA-9	6899		CPR6EAX-9S	93921
Xciting 400i		400	1	2013-		0.7	CR7E	4578	Q225	CR7EIX	7385
Xciting 500		500	1	2005-		0.7	CR8E	4854	Q226	CR8EIX	4218
Xciting 500i		500	1	2007-		0.7	CR7E	4578	Q225	CR7EIX	7385
Xciting 500i ABS		500	1	2007-		0.7	CR7E	4578	Q225	CR7EIX	7385
Xciting 500i R		500	1	2007-		0.7	CR7E	4578	Q225	CR7EIX	7385
Xciting 500i R		500	1	2009-		0.7	CR7E	4578	Q225	CR7EIX	7385
My Road 700i		700	1	2012-		0.7	CR8E	4854	Q226	CR8EIX	4218

K-ZWO

Cat 50		50	1	1997-		0.6	BR7HS	4737		BR7HIX	7067
K-Zwo VIVA 50/25		50	1	-		0.5	BR7HS	4737		BR7HIX	7067
Motron Sting		50	1	-		0.5	BR7HS	4737		BR7HIX	7067
Motron Thunder		50	1	-		0.5	BR7HS	4737		BR7HIX	7067
Siamoto Falkon		50	1	-		0.6	C7HSA	4629		CR7HIX	7544
Siamoto Scross		50	1	-		0.6	C7HSA	4629		CR7HIX	7544
K-Zwo Apache		125	1	-		0.6	D8EA	2120	Q216	DR8EIX	6681
K-Zwo Royal 125		125	1	1996-		0.6	C7HSA	4629		CR7HIX	7544

LAMBRETTA

125 SX		125	1	-		0.5	B7ES	1111		BR7EIX	6664
SX		200	1	-		0.5	B7ES	1111		BR7EIX	6664

LAVERDA

650 American Eagle		650	2	1994-1998		0.7	B9ES	2611	Q202	BR9EIX	3981
650 Formula		650	2	1996-		0.6	DCPR8E	4339		DCPR8EIX	6546
650 Ghost		650	2	1996-1998		0.6	DCPR9E	2641		DCPR9EIX	2316
650 Ghost Legend		650	2	1996-1998		0.6	DCPR9E	2641		DCPR9EIX	2316
650 Ghost Strike		650	2	1996-1998		0.6	DCPR9E	2641		DCPR9EIX	2316
650 GT		650	2	1994-1998		0.7	B9ES	2611	Q202	BR9EIX	3981
650 GTL		650	2	1994-1998		0.7	B9ES	2611	Q202	BR9EIX	3981
650 Sport		650	2	1994-1995		0.6	DCPR9E	2641		DCPR9EIX	2316
668	ZLV650	668	2	1996-1998		0.6	DCPR9E	2641		DCPR9EIX	2316
750 Black Strike		750	2	2000-		0.6	DCPR8E	4339		DCPR8EIX	6546
750 Diamant		750	2	1997-		0.6	DCPR8E	4339		DCPR8EIX	6546
750 Formula S		750	2	1998-2000		0.6	DCPR9E	2641		DCPR9EIX	2316
750 Ghost		750	2	1998-		0.6	DCPR8E	4339		DCPR8EIX	6546
750 S		750	2	1997-		0.6	DCPR8E	4339		DCPR8EIX	6546
750 Sport		750	2	1998-		0.6	DCPR8E	4339		DCPR8EIX	6546
750 SS		750	2	2000-		0.6	DCPR8E	4339		DCPR8EIX	6546
750 Strike		750	2	1998-		0.6	DCPR8E	4339		DCPR8EIX	6546
1000 SFC		1000	3	2004-2004		0.5	B9ES	2611	Q202	BR9EIX	3981

LECSO

LTS 50 BW		50	1	1996-2000		0.6	BP6HS	4511		BPR6HIX	4085
LTS 50 TR		50	1	1995-2000		0.6	BP6HS	4511		BPR6HIX	4085

LEM

2001 Bay		50	1	-		0.5	BP6ES	7811		BPR6EIX	6637
2001 Matic		50	1	-		0.5	BP6ES	7811		BPR6EIX	6637
2001 Variant		50	1	-		0.5	BP6ES	7811		BPR6EIX	6637
Cayman		50	1	-		0.5	B7HS	5110		BR7HIX	7067
Cayman LC		50	1	-		0.5	B7HS	5110		BR7HIX	7067
Chembol Form		50	1	-		0.5	B6ES	7310			

*Bitte Elektrodenabstand nach Angaben des Herstellers justieren

*Please adjust the ground electrode gap

*Veuillez vérifier l'écartement

* Por favor, ajustar la distancia entre los electrodos

*Regolare il gap

** Iridium IX Spark Plug is the standard recommendation





Stock No.

Quick No.

Upgrade ↑

Stock No. ↑

LEM

Chembol Raid		50	1	-		0.5	B6ES	7310			
Cinno Corsa 10		50	1	-		0.5	B6HS	4510		BR6HIX	3419
Cinno Corsa 8		50	1	-		0.5	B6HS	4510		BR6HIX	3419
Condor		50	1	-		0.5	B7HS	5110		BR7HIX	7067
Convert		50	1	-		0.5	B5HS	4210			
CR 3		50	1	1997-		0.5	B7HS	5110		BR7HIX	7067
Flash		50	1	-		0.6	BR7HS	4737		BR7HIX	7067
Ghibli		50	1	-		0.6	BR7HS	4737		BR7HIX	7067
L 2		50	1	-		0.5	B7HS	5110		BR7HIX	7067
LX 1		50	1	-		0.6	B8HS	5510		BR8HIX	7001
LX 2		50	1	1997-		0.5	B7HS	5110		BR7HIX	7067
LX 2-SR		50	1	-		0.5	B7HS	5110		BR7HIX	7067
LX 2-S Sport		50	1	1997-		0.5	B7HS	5110		BR7HIX	7067
LX 4		50	1	-	14mm Thread Size / 19mm Thread Reach	0.7	BR9ES	5722		BR9EIX	3981
LX 4 New		50	1	-	Italy	0.6	B9ES	2611	Q202	BR9EIX	3981
Piesse		50	1	-	Italy	0.5	B5HS	4210			
Pizeta		50	1	-		0.5	B5HS	4210			
Pratikal Kit SL		50	1	-		0.5	B5HS	4210			
R 2 Air		50	1	-		0.7	BR10EIX**	6801			
R 3 Air		50	1	-		0.7	BR10EIX**	6801			
R 3 Usa		50	1	-		0.7	BR10EIX**	6801			
S6 Racer 50		50	1	-		0.6	BR10EIX**	6801			
SK 6		50	1	-		0.5	B7HS	5110		BR7HIX	7067
SM 2		50	1	-		0.5	B7HS	5110		BR7HIX	7067
SM 3		50	1	-		0.7	BR10EIX**	6801			
Stratos		50	1	-		0.5	B6ES	7310			
Stratos Matic		50	1	-		0.5	B5HS	4210			

LEXMOTO

Flash 50	ZN50QT-15A	50	1	2012-		0.7	C7HSA	4629		CR7HIX	7544
LSM 50		50	1	2012-		0.6	BR8ES	5422	Q207	BR8EIX	5044
Milano 50	FT50QT-27	50	1	2015-		0.7	C7HSA	4629		CR7HIX	7544
Tommy 50	ZN50QT-A	50	1	2012-		0.7	C7HSA	4629		CR7HIX	7544
Tommy II 50	ZN50QT-E	50	1	2012-		0.7	C7HSA	4629		CR7HIX	7544
Tornado 50	SB50QT-16(B08)	50	1	2012-		0.7	C7HSA	4629		CR7HIX	7544
Adrenaline 125	XFLM125GY-2B	125	1	2015-		0.7	CR8E	4854	Q226	CR8EIX	4218
Arizona 125	ZS125-30	125	1	2013-		0.7	D8EA	2120	Q216	DR8EIX	6681
Arrow 125	HT125-4F	125	1	2013-		0.7	D8EA	2120	Q216	DR8EIX	6681
Firenze 125	ZN125T-F	125	1	2012-		0.7	C7HSA	4629		CR7HIX	7544
FMS 125	ZN125T-7H	125	1	2015-		0.6	CR7HSA	4549		CR7HIX	7544
FMX 125	WY125T-108	125	1	2015-		0.6	CR7HSA	4549		CR7HIX	7544
Gladiator 125	SB125T-23B	125	1	2012-		0.7	C7HSA	4629		CR7HIX	7544
Ranger 125	ZS125-50	125	1	2013-		0.7	D8EA	2120	Q216	DR8EIX	6681
Street 125	DFE125-8A	125	1	2013-		0.7	CR7E	4578	Q225	CR7EIX	7385
Tommy 125	ZN125T-E	125	1	2012-		0.7	C7HSA	4629		CR7HIX	7544
Tornado 125	SB125T-21(B08)	125	1	2013-		0.7	CR7HSA	4549		CR7HIX	7544
Valencia 125		125	1	2012-		0.7	C7HSA	4629		CR7HIX	7544
Valiant XF 125 R		125	1	2015-		0.7	CR8E	4854	Q226	CR8EIX	4218
Venom SK125-22		125	1	2015-		0.9	CPR6EA-9	6899		CPR6EAIX-9S	93921
Vixen 125	HT125-8	125	1	2013-		0.7	D8EA	2120	Q216	DR8EIX	6681
XTR 125	KS125-23	125	1	2013-		0.7	D8EA	2120	Q216	DR8EIX	6681
XTR 125 S	KS125-24	125	1	-		0.7	D8EA	2120	Q216	DR8EIX	6681

*Bitte Elektrodenabstand nach Angaben des Herstellers justieren

*Please adjust the ground electrode gap

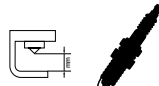
*Veuillez vérifier l'écartement

* Por favor, ajustar la distancia entre los electrodos

*Regolare il gap

* Iridium IX Spark Plug is the standard recommendation





Stock No.

Quick No.

Upgrade ↑

Stock No. ↑

LEXMOTO

XTR S 125	KS125-24	125	1	2013-		0.7	D8EA	2120	Q216	DR8EIX	6681
Zoom II 125	SB125T-21(B10)	125	1	2012-		0.7	C7HSA	4629		CR7HIX	7544

LIFAN

Echo LF50QT-8D		50	1	-		0.6	C7HSA	4629		CR7HIX	7544
Jet 50		50	1	-		0.7	C7HSA	4629		CR7HIX	7544
LF50GY		50	1	-		0.6	C7HSA	4629		CR7HIX	7544
LF50GY-4		50	1	-		0.6	C7HSA	4629		CR7HIX	7544
LF50QGY		50	1	-		0.6	C7HSA	4629		CR7HIX	7544
LF50QGY-D		50	1	-		0.6	C7HSA	4629		CR7HIX	7544
LF50QT-15		50	1	2006-2013		0.6	C7HSA	4629		CR7HIX	7544
LF50QT-2A		50	1	2007-2015		0.6	C7HSA	4629		CR7HIX	7544
LF50QT-3		50	1	-		0.6	C7HSA	4629		CR7HIX	7544
LF50QT-7		50	1	-		0.5	B5HS	4210			
LF70GY-3		70	1	-		0.6	C7HSA	4629		CR7HIX	7544
LF70GY-4		70	1	-		0.6	C7HSA	4629		CR7HIX	7544
LF70GY-4A		70	1	-		0.6	C7HSA	4629		CR7HIX	7544
LF70GY-B		70	1	-		0.6	C7HSA	4629		CR7HIX	7544
LF90GY		90	1	-		0.6	C7HSA	4629		CR7HIX	7544
LF90GY-D		90	1	-		0.6	C7HSA	4629		CR7HIX	7544
LF100GY		100	1	-		0.6	C7HSA	4629		CR7HIX	7544
LF100GY-B		100	1	-		0.6	C7HSA	4629		CR7HIX	7544
LF110GY-A		110	1	-		0.6	C7HSA	4629		CR7HIX	7544
LF110GY-D		110	1	-		0.6	C7HSA	4629		CR7HIX	7544
Wacky 110		110	1	-		0.7	C7HSA	4629		CR7HIX	7544
Beat 125 LF125-9A		125	1	-		0.6	C7HSA	4629		CR7HIX	7544
Blaze 125 LF125-30		125	1	-		0.7	D8EA	2120	Q216	DR8EIX	6681
Earth Dragon 125		125	1	-		0.7	D8EA	2120	Q216	DR8EIX	6681
LF125GY		125	1	-		0.9	DPR8EA-9	4929	Q221	DPR8EIX-9	2202
LF125GY-3A		125	1	-		0.9	DPR8EA-9	4929	Q221	DPR8EIX-9	2202
LF125GY-5		125	1	-		0.9	DPR8EA-9	4929	Q221	DPR8EIX-9	2202
LF125-J		125	1	2013-		0.6	D8EA	2120	Q216	DR8EIX	6681
LF125T-2F		125	1	-		0.6	C7HSA	4629		CR7HIX	7544
LF125T-6		125	1	-		0.6	C7HSA	4629		CR7HIX	7544
LF125T-9A		125	1	2009-		0.6	C7HSA	4629		CR7HIX	7544
Samurai LF125-30		125	1	-		0.7	D8EA	2120	Q216	DR8EIX	6681
Sprint LF125-30		125	1	-		0.7	D8EA	2120	Q216	DR8EIX	6681
LF150GY		150	1	-		0.9	DPR8EA-9	4929	Q221	DPR8EIX-9	2202
LF150GY-3A		150	1	-		0.9	DPR8EA-9	4929	Q221	DPR8EIX-9	2202
LF150GY-5		150	1	-		0.9	DPR8EA-9	4929	Q221	DPR8EIX-9	2202
LF150T-10		150	1	-		0.6	C7HSA	4629		CR7HIX	7544
LF150T-5		150	1	-		0.6	C7HSA	4629		CR7HIX	7544
LF150T-6		150	1	-		0.6	C7HSA	4629		CR7HIX	7544
LF150T-8		150	1	-		0.6	C7HSA	4629		CR7HIX	7544
LF150T-9A		150	1	-		0.6	C7HSA	4629		CR7HIX	7544
LF200		200	1	-		0.9	DPR8EA-9	4929	Q221	DPR8EIX-9	2202
LF200-B		200	1	-		0.9	DPR8EA-9	4929	Q221	DPR8EIX-9	2202
LF200GY-2		200	1	-		0.9	DPR8EA-9	4929	Q221	DPR8EIX-9	2202
LF200GY-5		200	1	-		0.9	DPR8EA-9	4929	Q221	DPR8EIX-9	2202
LF250		250	2	-		0.7	CR6HSA	2983		CR6HIX	7274
LF250-B		250	2	-		0.7	CR6HSA	2983		CR6HIX	7274

*Bitte Elektrodenabstand nach Angaben des Herstellers justieren

*Please adjust the ground electrode gap

*Veuillez vérifier l'écartement

* Por favor, ajustar la distancia entre los electrodos

*Regolare il gap

** Iridium IX Spark Plug is the standard recommendation





Stock No.

Quick No.

Upgrade ↑

Stock No. ↑

LINGBEN

Manhattan		125	1	2006-		0.7	CR7HSA	4549		CR7HIX	7544
-----------	--	-----	---	-------	--	-----	--------	------	--	--------	------

LML-VESPA

NV 125 SPL		125	1	1996-		0.6	BP8ES	2912		BPR8EIX	6684
Star CVT Automatica		125	1	2013-		0.7	CR8EH-9	5666	Q228	CR8EHIX-9	3797
Star Deluxe 125		125	1	2009-		0.7	BP8HS CR8EH-9	2630 5666	Q228	BPR8HIX CR8EHIX-9	6742 3797
Via Toscana 125		125	1	2009-		0.7	BP8HS	2630		BPR8HIX	6742
NV 150 SPL		150	1	1996-		0.6	BP8ES	2912		BPR8EIX	6684
Star Deluxe 150		150	1	2009-		0.7	BPR6ES CR8EH-9	7822 5666	Q228	BPR6EIX CR8EHIX-9	6637 3797
NV 200 SPL		200	1	-		0.6	B5ES	6410			
Star Deluxe 200		200	1	2011-		0.7	CR8EH-9	5666	Q228	CR8EHIX-9	3797

LONGJIA

Alien 50 Xooter		50	1	2008-		0.7	BR7HS	4737		BR7HIX	7067
Alien 125 Xooter		125	1	-		0.7	CR7HSA	4549		CR7HIX	7544

MACAL

GTX		50	1	1998-		0.6	BR7HS	4737		BR7HIX	7067
MY 50		50	1	1999-		0.6	BR7HS	4737		BR7HIX	7067
New Star		50	1	1998-		0.6	BR7HS	4737		BR7HIX	7067
Star Flight		50	1	1998-		0.6	BR7HS	4737		BR7HIX	7067
Trophy		50	1	1998-		0.6	BR8ES	5422	Q207	BR8EIX	5044

MAGELLI

125 m		125	1	2008-		0.7	DR7EA	7839		DR7EIX	5686
125 r		125	1	2008-		0.7	DR7EA	7839		DR7EIX	5686
125 s		125	1	2008-		0.7	DR7EA	7839		DR7EIX	5686

MAGNI

Australia		1000	2	1994-	Air	0.7	D9EA	2420		DR9EIX	4772
-----------	--	------	---	-------	-----	-----	------	------	--	--------	------

MAICO

MD 50		50	1	-		0.7	BR9HIX**	5687			
Mofa		50	1	-		*	BR6HIX**	3419			
SG 125		125	1	-		0.5	B9ES	2611	Q202	BR9EIX	3981
Macomobil MB 150		150	1	-		*	BR7HIX**	7067			
Maicoletta 175		175	1	-		*	BR8HIX**	7001			
Macomobil MB 2000		200	1	-		*	BR7HIX**	7067			
250		250	1	1994-		0.5	B9ES	2611	Q202	BR9EIX	3981
Maicoletta 250		250	1	-		*	BR8HIX**	7001			
Maicoletta 277		277	1	-		*	BR8HIX**	7001			
320		320	1	1994-		0.6	B9ES	2611	Q202	BR9EIX	3981
MC 400		400	1	-		0.5	B9ES	2611	Q202	BR9EIX	3981
MC 440		440	1	1994-		0.6	B9ES	2611	Q202	BR9EIX	3981
GS 500		500	1	-		0.5	B9ES	2611	Q202	BR9EIX	3981
GS Star 500		500	1	-		0.5	B9ES	2611	Q202	BR9EIX	3981
GS Star E 500		500	1	-		0.5	B9ES	2611	Q202	BR9EIX	3981
MC 500		500	1	-		0.5	B9ES	2611	Q202	BR9EIX	3981

MALAGUTI

Centro 50		50	1	1992-		0.6	BR7HS	4737		BR7HIX	7067
Centro 50		50	1	2000-		0.7	BR8HS	4915	Q212	BR8HIX	7001
Centro 50		50	1	2008-		0.7	PMR7A	4259			
Centro 50 Luxe		50	1	1996-		0.5	BR7HS	4737		BR7HIX	7067

* Bitte Elektrodenabstand nach Angaben des Herstellers justieren

* Please adjust the ground electrode gap

* Veuillez vérifier l'écartement

* Por favor, ajustar la distancia entre los electrodos

* Regolare il gap

* Iridium IX Spark Plug is the standard recommendation





Stock No.

Quick No.

Upgrade ↑

Stock No. ↑

MALAGUTI

Centro 50 SL		50	1	-		0.6	BR7HS	4737		BR7HIX	7067
Centro 50 SL		50	1	1993-		0.5	BR7HS	4737		BR7HIX	7067
Centro 50 SL		50	1	2010-		0.7	PMR7A	4259			
Ciak 50		50	1	-		0.5	DR8HS	5123			
Ciak Master 50		50	1	1999-		0.7	BR8HS	4915	Q212	BR8HIX	7001
Ciak Master 50		50	1	2008-		0.7	PMR7A	4259			
CR 1		50	1	1995-		0.5	BPR6HS	7022		BPR6HIX	4085
Crosser CR1 50		50	1	-		0.6	BPR6HS	7022		BPR6HIX	4085
Custon Fox		50	1	-		0.5	B6HS	4510		BR6HIX	3419
Drakon		50	1	-		0.6	BR9ES	5722		BR9EIX	3981
DVD 50 Malbonline		50	1	2010-		0.7	PMR7A	4259			
ET		50	1	-		0.6	B6HS	4510		BR6HIX	3419
F-10		50	1	1993-		0.5	BR7HS	4737		BR7HIX	7067
F-10 Jet Line		50	1	1992-		0.6	BR7HS	4737		BR7HIX	7067
F-10 Jet Line		50	1	2000-		0.7	BR8HS	4915	Q212	BR8HIX	7001
F-10 Jet Line Tigers		50	1	-		0.6	BR7HS	4737		BR7HIX	7067
F-10 Jet Line Tribal		50	1	2010-		0.6	BR7HS	4737		BR7HIX	7067
F-10 Jet Line WAP		50	1	2003-		0.6	BR7HS	4737		BR7HIX	7067
F-11		50	1	-		0.7	BR8HS	4915	Q212	BR8HIX	7001
F-12 Dragon 50		50		1996-		0.5	BR7HS	4737		BR7HIX	7067
F-12 Phantom AC		50	1	2000-	Air	0.5	BR7HS	4737		BR7HIX	7067
F-12 Phantom LC		50	1	2000-	Water fluid	0.7	BR8HS	4915	Q212	BR8HIX	7001
F-12 Wild Attack		50	1	-		0.5	BR8HS	4915	Q212	BR8HIX	7001
F-15 Ducati Corse		50	1	2007-		0.7	BR8HS	4915	Q212	BR8HIX	7001
F-15 Firefox 50		50	1	1996-	Water fluid	0.7	BR8HS	4915	Q212	BR8HIX	7001
F-15 Firefox 50 AC		50	1	2005-	Air	0.5	BR7HS	4737		BR7HIX	7067
F-15 GSE Replica		50	1	-		0.5	BR8HS	4915	Q212	BR8HIX	7001
F 50 Foggy Replica		50	1	-		0.5	BR8HS	4915	Q212	BR8HIX	7001
Fifty Full		50	1	-		0.5	B6HS	4510		BR6HIX	3419
Fifty Top		50	1	-	FR	0.5	B6HS	4510		BR6HIX	3419
Fifty Top		50	1	-		0.5	B9ES	2611	Q202	BR9EIX	3981
Grizzly 10 Cross		50	1	-		0.5	B6HS	4510		BR6HIX	3419
Grizzly 10 Supermoto		50	1	-		0.5	B6HS	4510		BR6HIX	3419
Grizzly 12 Cross		50	1	1999-		0.5	B8HS	5510		BR8HIX	7001
Grizzly 12 Supermoto		50	1	-		0.5	B7HS	5110		BR7HIX	7067
Grizzly Ranocchio		50	1	-		0.5	B6HS	4510		BR6HIX	3419
Grizzly RCW4		50	1	-		0.5	B6HS	4510		BR6HIX	3419
Grizzly RCW50		50	1	-		0.5	B6HS	4510		BR6HIX	3419
Grizzly RCX10		50	1	-		0.5	B6HS	4510		BR6HIX	3419
Grizzly RCX50		50	1	-		0.5	B6HS	4510		BR6HIX	3419
Grizzly RXC 10		50	1	-		0.5	BR6HS	4200		BR6HIX	3419
Grizzly RXC 12		50	1	-		0.5	BR8HS	4915	Q212	BR8HIX	7001
MRX 50		50	1	-		0.5	BPR7ES	2023		BPR7EIX	4055
Phantom LC Tiger 50		50	1	1993-		0.6	BR7HS	4737		BR7HIX	7067
RCX 10 Automatic		50	1	-		0.5	B6HS	4510		BR6HIX	3419
RCX 12 Automatic		50	1	-		0.5	B8HS	5510		BR8HIX	7001
RCX 4		50	1	-		0.5	B8HS	5510		BR8HIX	7001
XSM		50	1	-		0.6	BR9ES	5722		BR9EIX	3981
XTM		50	1	-		0.6	BR9ES	5722		BR9EIX	3981
Yesterday		50	1	1997-		0.6	BR8HS	4915	Q212	BR8HIX	7001
F69 Phantom		70	1	1997-1999		0.5	BR7HS	4737		BR7HIX	7067
Dune Enduro 75		75	1	-		0.5	B7ES	1111		BR7EIX	6664

*Bitte Elektrodenabstand nach Angaben des Herstellers justieren

*Please adjust the ground electrode gap

*Veuillez vérifier l'écartement

* Por favor, ajustar la distancia entre los electrodos

*Regolare il gap

** Iridium IX Spark Plug is the standard recommendation



Stock No.

Quick No.

Upgrade ↑

Stock No. ↑

MALAGUTI

RST 75 Turismo		75	1	-		0.5	B7ES	1111		BR7EIX	6664
Ciak 100		100	1	2002-		0.5	BR7HS	4737		BR7HIX	7067
F-12 Phantom		100	1	-		0.5	BR7HS	4737		BR7HIX	7067
Blog 125		125	1	2009-		0.9	DPR7EA-9	5129	Q220	DPR7EIX-9	7803
Centro 125		125	1	-		0.9	DPR7EA-9	5129	Q220	DPR7EIX-9	7803
Centro 125 SL		125	1	2010-		0.9	DPR7EA-9	5129	Q220	DPR7EIX-9	7803
Ciak 125		125	1	2001-2004		0.7	CR7HSA	4549		CR7HIX	7544
F-18 Warrior 125		125	1	-		0.9	DPR7EA-9	5129	Q220	DPR7EIX-9	7803
Madison 125		125	1	-		0.7	CR8E	4854	Q226	CR8EIX	4218
Madison 125 E2		125	1	-		0.7	CR8E	4854	Q226	CR8EIX	4218
Madison 3		125	1	-		0.6	CR8EB	7784			
Runner 125 Rally		125	1	-		0.5	B9ES	2611	Q202	BR9EIX	3981
Runner 125 YLC		125	1	-		0.5	B8ES	2411	Q201	BR8EIX	5044
X3M Enduro 125		125	1	2008-		0.7	CR7HSA	4549		CR7HIX	7544
X3M Motard 125		125	1	2008-		0.7	CR7HSA	4549		CR7HIX	7544
Ciak 150		150	1	-		0.7	CR7HSA	4549		CR7HIX	7544
F-18 Warrior 150		150	1	2001-		0.9	DPR7EA-9	5129	Q220	DPR7EIX-9	7803
Madison 150		150	1	-		0.7	CR8E	4854	Q226	CR8EIX	4218
Blog 160		160	1	-		0.9	DPR7EA-9	5129	Q220	DPR7EIX-9	7803
Centro 160		160	1	-		0.9	DPR7EA-9	5129	Q220	DPR7EIX-9	7803
Centro 160 SL		160	1	2010-		0.9	DPR7EA-9	5129	Q220	DPR7EIX-9	7803
Madison 180		180		-2001		0.7	CR9EB	6955			
Madison 180		180		2001-		0.7	CR8EB	7784			
F-12 Phantom Max 200		200	1	2004-		0.6	CR8EB	7784			
Madison S 200		200	1	2003-		0.6	CR8EB	7784			
Madison 250		250		1999-2004		0.9	DPR9EA-9	5329	Q222	DPR9EIX-9	5545
Madison 3 250		250	1	-		0.7	PMR8B	6378			
Madison S 250		250	1	-		0.7	DR8EA	7162		DR8EIX	6681
Password 250		250	1	-		0.9	DPR8EA-9	4929	Q221	DPR8EIX-9	2202
Madison 400		400	1	2002-		0.8	CR7E	4578	Q225	CR7EIX	7385
Madison 400		400	1	2003-		0.7	CR9E	6263	Q227	CR9EIX	3521
Spidermax GT 500		500	1	2004-		0.6	CR7EKB	4455			
Spidermax RS 500		500	1	2010-		0.6	CR7EKB	4455			

MANET KORADO

Mofa 50		50	1	-		0.5	B6HS	4510		BR6HIX	3419
Moped 50		50	1	-		0.5	B6HS	4510		BR6HIX	3419

MARS

M 25		25	1	-		0.8	B5HS	4210			
Enduro Dakarino		50	1	-		0.6	B8HCS	2621			
M 25 Mini Califo		50	1	-		0.8	B5HS	4210			
M 50		50	1	-		0.8	B5HS	4210			
MK 50		50	1	-		0.6	BP6HS	4511		BPR6HIX	4085
MK 50		50	1	-		0.6	BPR6HSA	4632		BPR6HIX	4085
MK 50/1		50	1	-		0.6	BP6HS	4511		BPR6HIX	4085
SM 50		50	1	-		0.6	BP7HS	5111		BPR7HIX	5944
SM 50/1		50	1	-		0.6	BP7HS	5111		BPR7HIX	5944

MASH

Black Seven 125		125	1	2017-	12hp	0.7	CR7E	4578	Q225	CR7EIX	7385
Brown Edition 125		125	1	2017-	12hp	0.7	CR7E	4578	Q225	CR7EIX	7385
Cafe Racer 125		125	1	2014-		0.7	CR7E	4578	Q225	CR7EIX	7385
Dirt Track 125		125	1	-	12hp	0.7	CR7E	4578	Q225	CR7EIX	7385

*Bitte Elektrodenabstand nach Angaben des Herstellers justieren

*Please adjust the ground electrode gap

*Veuillez vérifier l'écartement

* Por favor, ajustar la distancia entre los electrodos

*Regolare il gap

* Iridium IX Spark Plug is the standard recommendation





Stock No.

Quick No.

Upgrade ↑

Stock No. ↑

MASH

MH RX125R		125	1	2014-		0.7	CR7E	4578	Q225	CR7EIX	7385
Scrambler 125		125	1	2014-		0.7	CR7E	4578	Q225	CR7EIX	7385
Seventy 125		125	1	2014-		0.7	CR7E	4578	Q225	CR7EIX	7385
Seventy-Five 125		125	1	2014-		0.7	CR7E	4578	Q225	CR7EIX	7385
Seventy-Five Vintage 125		125	1	2014-		0.7	CR7E	4578	Q225	CR7EIX	7385
Black Seven 250		250	1	-	20hp	0.7	DR8EA	7162		DR8EIX	6681
Two Fifty 250		250	1	2014-		0.7	DR8EA	7162		DR8EIX	6681
Family Side 400		400	1	-	28hp	0.6	DPR8Z	4730			
Five Hundred 400		400	1	2014-		0.6	DPR8Z	4730			
Scrambler 400		400	1	-	28hp	0.6	DPR8Z	4730			
TT40 Cafe Racer 400		400	1	-	28hp	0.6	DPR8Z	4730			

MBK

50 EV		50	1	-		0.5	B6HS	4510		BR6HIX	3419
50 EW		50	1	-		0.5	B6HS	4510		BR6HIX	3419
50 L		50	1	-		0.5	B6HS	4510		BR6HIX	3419
50 R		50	1	-		0.5	B7HS	5110		BR7HIX	7067
50 S		50	1	-		0.5	B6HS	4510		BR6HIX	3419
50 VL		50	1	-		0.5	B6HS	4510		BR6HIX	3419
50 VS		50	1	-		0.5	B6HS	4510		BR6HIX	3419
51 Club		50	1	-		0.7	B7HS	5110		BR7HIX	7067
51 Club Swing		50	1	-		0.7	B6HS	4510		BR6HIX	3419
51 Club VR		50	1	-		0.7	B7HS	5110		BR7HIX	7067
51 Collection		50	1	-		0.7	B7HS	5110		BR7HIX	7067
51 Evasion		50	1	-		0.7	B7HS	5110		BR7HIX	7067
51 Hard Rock		50	1	-		0.7	B7HS	5110		BR7HIX	7067
51 Jazz		50	1	-		0.7	B7HS	5110		BR7HIX	7067
51 Mag Max		50	1	-		0.7	B8ES	2411	Q201	BR8EIX	5044
51 Magnum Racing		50	1	-		0.7	B6HS	4510		BR6HIX	3419
51 Magnum Racing XR		50	1	-	Water fluid	0.7	B8ES	2411	Q201	BR8EIX	5044
51 New West		50	1	-		0.5	B6HS	4510		BR6HIX	3419
51 Passion		50	1	-		0.7	B8ES	2411	Q201	BR8EIX	5044
51 Roadster		50	1	-		0.7	B8ES	2411	Q201	BR8EIX	5044
51 S		50	1	-		0.5	B6HS	4510		BR6HIX	3419
51 SL		50	1	-		0.5	B6HS	4510		BR6HIX	3419
51 V		50	1	-		0.5	B6HS	4510		BR6HIX	3419
51 V		50	1	-		0.7	B7HS	5110		BR7HIX	7067
51 VL		50	1	-		0.5	B6HS	4510		BR6HIX	3419
881 P		50	1	-	Air	0.7	B6HS	4510		BR6HIX	3419
881 P		50	1	-	Water fluid	0.7	B6HS	4510		BR6HIX	3419
881 U		50	1	-	Air	0.7	B6HS	4510		BR6HIX	3419
881 U		50	1	-	Water fluid	0.7	B6HS	4510		BR6HIX	3419
88 IP		50	1	-		0.5	B6HS	4510		BR6HIX	3419
88 IU		50	1	-		0.5	B6HS	4510		BR6HIX	3419
89		50	1	-		0.5	B6HS	4510		BR6HIX	3419
89 Air		50	1	-		0.7	B6HS	4510		BR6HIX	3419
93		50	1	-	Italy	0.5	B7HS	5110		BR7HIX	7067
99		50	1	-		0.5	B7HS	5110		BR7HIX	7067
Active		50	1	-		0.7	BPR7HS	6422		BPR7HIX	5944
Active 50		50	1	-	Italy	0.6	BR7HS	4737		BR7HIX	7067
AV 56		50	1	-		0.5	B6HS	4510		BR6HIX	3419
AV 59		50	1	-		0.5	B6HS	4510		BR6HIX	3419

*Bitte Elektrodenabstand nach Angaben des Herstellers justieren

*Please adjust the ground electrode gap

*Veuillez vérifier l'écartement

* Por favor, ajustar la distancia entre los electrodos

*Regolare il gap

** Iridium IX Spark Plug is the standard recommendation





Stock No.

Quick No.

Upgrade ↑

Stock No. ↑

MBK

AV 89		50	1	-		0.5	B6HS	4510		BR6HIX	3419
AV 92		50	1	-		0.5	B6HS	4510		BR6HIX	3419
AV 98		50	1	-		0.5	B6HS	4510		BR6HIX	3419
Cady		50	1	-		0.5	B6HS	4510		BR6HIX	3419
CF		50	1	-		0.5	B6HS	4510		BR6HIX	3419
Champ		50	1	-		0.5	B6HS	4510		BR6HIX	3419
Champ		50	1	-		0.7	BPR6HS	7022		BPR6HIX	4085
Champ 88		50	1	-		0.7	B6HS	4510		BR6HIX	3419
Champ 89		50	1	-		0.7	B6HS	4510		BR6HIX	3419
CS 50 AC Mach G		50	1	2002-2006		0.6	BR8HS	4915	Q212	BR8HIX	7001
CS 50 Z LC Mach G	5RW	50	1	2002-2006		0.6	BR8HS	4915	Q212	BR8HIX	7001
CT 50 S - CT 50 SS		50	1	-		1.0	BP7HS-10	7829			
CW 50 Booster	4FG	50	1	-		0.5	BR8HS	4915	Q212	BR8HIX	7001
CW 50 Booster	3TX	50	1	-	Italy	0.5	BPR7HS	6422		BPR7HIX	5944
CW 50 Booster		50	1	1993-		0.5	BR7HS	4737		BR7HIX	7067
CW 50 Booster		50	1	1997-		0.6	BR8HS	4915	Q212	BR8HIX	7001
CW 50 Booster 10 years Spécial		50	1	2000-		0.7	BR8HS	4915	Q212	BR8HIX	7001
CW 50 Booster F1		50	1	-		0.7	BR8HS	4915	Q212	BR8HIX	7001
CW 50 Booster N.G.		50	1	-	Italy	0.6	BR8HS	4915	Q212	BR8HIX	7001
CW 50 Booster NG		50	1	1997-	Italy	0.6	BR8HS	4915	Q212	BR8HIX	7001
CW 50 Booster Original		50	1	-		0.7	BR8HS	4915	Q212	BR8HIX	7001
CW 50 Booster Power Rocket		50	1	-		0.7	BR8HS	4915	Q212	BR8HIX	7001
CW 50 Booster R		50	1	-	Netherland	0.6	BR7HS	4737		BR7HIX	7067
CW 50 Booster Road		50	1	-		0.7	BR7HS	4737		BR7HIX	7067
CW 50 Booster Rocket		50	1	1997-		0.6	BR8HS	4915	Q212	BR8HIX	7001
CW 50 Booster Spirit		50	1	-		0.6	BR8HS	4915	Q212	BR8HIX	7001
CW 50 Booster Track		50	1	1997-		0.6	BR8HS	4915	Q212	BR8HIX	7001
CW 50 Spirit SAS		50	1	-		0.6	BR8HS	4915	Q212	BR8HIX	7001
D50		50	1	-	UK	0.5	B7HS	5110		BR7HIX	7067
Dakota 50		50	1	2005-		0.6	BR7HS	4737		BR7HIX	7067
Daytona Beach		50	1	-		0.5	B6HS	4510		BR6HIX	3419
Daytona Cruiser		50	1	-		0.5	B6HS	4510		BR6HIX	3419
DX Boite 5		50	1	-		0.7	BR8ES	5422	Q207	BR8EIX	5044
DX S		50	1	-		0.7	BR7HS	4737		BR7HIX	7067
Equalis 50		50	1	-		0.7	BR7HS	4737		BR7HIX	7067
EW 50 Stunt		50	1	1999-2002		0.6	BR9HS	4522		BR9HIX	5687
EW 50 Stunt		50	1	2003-		0.6	BR8HS	4915	Q212	BR8HIX	7001
FXK		50	1	-		0.5	B8ES	2411	Q201	BR8EIX	5044
G 40		50	1	-		0.5	B6HS	4510		BR6HIX	3419
G 50		50	1	-		0.5	B6HS	4510		BR6HIX	3419
Hobby IV		50	1	-		0.5	BP6ES	7811		BPR6EIX	6637
Hot Champ 50		50	1	-		0.7	BR7HS	4737		BR7HIX	7067
Kansas 50		50	1	2005-		0.6	BR7HS	4737		BR7HIX	7067
KW Magnum		50	1	-		0.5	B6HS	4510		BR6HIX	3419
Mobylett		50	1	-		0.5	B6HS	4510		BR6HIX	3419
N 40		50	1	-		0.5	B6HS	4510		BR6HIX	3419
N 50		50	1	-		0.5	B6HS	4510		BR6HIX	3419
New Sorriso 50		50	1	1995-		0.6	BP7HS	5111		BPR7HIX	5944
Phönix		50	1	2005-		0.6	BR7HS	4737		BR7HIX	7067
Rock		50	1	-		0.5	B6HS	4510		BR6HIX	3419
Sorriso 50		50	1	-		1.0	BP7HS-10	7829			

* Bitte Elektrodenabstand nach Angaben des Herstellers justieren

* Please adjust the ground electrode gap

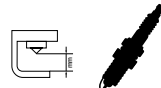
* Veuillez vérifier l'écartement

* Por favor, ajustar la distancia entre los electrodos

* Regolare il gap

* Iridium IX Spark Plug is the standard recommendation





Stock No.

Quick No.

Upgrade ↑

Stock No. ↑

MBK

SP 50		50	1	-		0.5	B6HS	4510		BR6HIX	3419
SP 92		50	1	-		0.5	B6HS	4510		BR6HIX	3419
SP 93		50	1	-		0.5	B6HS	4510		BR6HIX	3419
SP 94		50	1	-		0.5	B6HS	4510		BR6HIX	3419
SP 94 TT		50	1	-	Italy	0.5	B7HS	5110		BR7HIX	7067
SP 98		50	1	-		0.5	B6HS	4510		BR6HIX	3419
SP 99		50	1	-		0.5	B6HS	4510		BR6HIX	3419
Target 50		50	1	-		0.6	BP7HS	5111		BPR7HIX	5944
TZR 50 XPower		50	1	2003-	Italy	0.8	BR9ES	5722		BR9EIX	3981
Weekly		50	1	-		0.5	B7HS	5110		BR7HIX	7067
X 1		50	1	-		0.5	B6HS	4510		BR6HIX	3419
X 1L		50	1	-		0.5	B6HS	4510		BR6HIX	3419
X 7L		50	1	-		0.5	B6HS	4510		BR6HIX	3419
X 7S		50	1	-		0.5	B6HS	4510		BR6HIX	3419
X 7VL		50	1	-		0.5	B6HS	4510		BR6HIX	3419
X 7VS		50	1	-		0.5	B6HS	4510		BR6HIX	3419
X-Limit 50		50	1	1996-2004		0.7	BR8ES	5422	Q207	BR8EIX	5044
X-Limit 50		50	1	2005-		0.7	BR9ES	5722		BR9EIX	3981
YA 50 Forte		50	1	1994-	Italy	0.6	BR7HS	4737		BR7HIX	7067
YA 50 Forte	3UG	50	1	1996-		0.6	BR8HS	4915	Q212	BR8HIX	7001
YA 50 Forte		50	1	1997-		0.5	BR7HS	4737		BR7HIX	7067
YE 50 Evolis	4HU	50	1	-		0.5	BR6HS	4200		BR6HIX	3419
YE 50 Evolis		50	1	1992-		0.6	BR7HS	4737		BR7HIX	7067
YE 50 Evolis	4FW	50	1	1993-	Italy	0.5	BR7HS	4737		BR7HIX	7067
YE 50 Evolis		50	1	1997-		0.6	BR8HS	4915	Q212	BR8HIX	7001
YH 50 Flipper		50	1	1998-	Italy	0.6	BR8HS	4915	Q212	BR8HIX	7001
YM 50 Fizz		50	1	-1996		0.5	BR8HS	4915	Q212	BR8HIX	7001
YM 50 Fizz		50	1	1994-		0.6	BR7HS	4737		BR7HIX	7067
YM 50 Fizz		50	1	1997-		0.6	BR8HS	4915	Q212	BR8HIX	7001
YN 50 Ovetto		50	1	1997-		0.6	BR8HS	4915	Q212	BR8HIX	7001
YN 50 Ovetto 4		50	1	2014-		0.8	CR7E	4578	Q225	CR7EIX	7385
YQ 50 Nitro		50	1	1997-		0.6	BR8HS	4915	Q212	BR8HIX	7001
YQ 50 Nitro F1 McLaren		50	1	2000-		0.6	BR8HS	4915	Q212	BR8HIX	7001
YQ 50 Nitro Jaguar Racing		50	1	2004-		0.7	BR8HS	4915	Q212	BR8HIX	7001
ZX		50	1	-		0.5	BR7HS	4737		BR7HIX	7067
D75		75	1	-		0.5	B8HS	5510		BR8HIX	7001
Active		80	1	-		0.7	BPR7HS	6422		BPR7HIX	5944
YE 80 Evolis	4MU	80	1	1993-1999		0.7	BR7HS	4737		BR7HIX	7067
Zest	4MU	80	1	-	Italy	0.7	BR7HS	4737		BR7HIX	7067
YN 100 Ovetto	5KK	100	1	1999-2003	Italy	0.6	BR8HS	4915	Q212	BR8HIX	7001
YQ 100 Nitro	5ME	100	1	2000-2003	Italy	0.6	BR8HS	4915	Q212	BR8HIX	7001
YW 100 Booster	4VP	100	1	1999-2002		1.0	BPR7HS-10	1092			
125		125	1	-	14mm Thread Size / 19mm Thread Reach	0.5	B8ES	2411	Q201	BR8EIX	5044
125		125	1	-	14mm Thread Size / 12,7mm Thread Reach	0.5	B8HS	5510		BR8HIX	7001
Active		125	1	-1995		0.7	CR6HSA	2983		CR6HIX	7274
Doodo		125	1	-		0.7	CR8E	4854	Q226	CR8EIX	4218
Skycruiser 125		125	1	2006-	14hp	0.9	CPR9EAX9**	97673			
Skycruiser 125		125	1	2006-		0.9	CPR9EA-9	2308		CPR9EAIX-9	97673
Skyliner		125	1	1998-		0.7	CR8E	4854	Q226	CR8EIX	4218
Thunder 125		125	1	-		0.7	CR8E	4854	Q226	CR8EIX	4218

*Bitte Elektrodenabstand nach Angaben des Herstellers justieren

*Please adjust the ground electrode gap

*Veuillez vérifier l'écartement

* Por favor, ajustar la distancia entre los electrodos

*Regolare il gap

** Iridium IX Spark Plug is the standard recommendation





Stock No.

Quick No.

Upgrade ↑

Stock No. ↑

MBK

XC 125 Flame		125	1	-1994		0.7	CR6HSA	2983		CR6HIX	7274
XC 125 Flame F		125	1	2000-2003		0.6	CR7E	4578	Q225	CR7EIX	7385
XC 125 Flame R		125	1	1996-1999		0.6	CR7E	4578	Q225	CR7EIX	7385
XC 125 Flame T		125	1	1995-2000		0.6	CR7E	4578	Q225	CR7EIX	7385
XC 125 X Flame X		125	1	2004-2006		0.6	CR7E	4578	Q225	CR7EIX	7385
X-Over		125	1	2010-		0.9	CPR9EA-9	2308		CPR9EAIX-9	97673
X-Over		125	1	2010-	9hp	0.9	CPR9EAIX9**	97673			
Vertex 150		150	1	-		0.7	CR7E	4578	Q225	CR7EIX	7385
Skyliner 180		180	1	2003-		0.8	CR8E	4854	Q226	CR8EIX	4218
Skyliner 250		250	1	-		0.5	B8ES	2411	Q201	BR8EIX	5044
Kilibre 300		300	1	2003-		0.9	DR8EA	7162		DR8EIX	6681
350 E		350	3	-		0.5	B8ES	2411	Q201	BR8EIX	5044
350 Injection		350	3	-		0.5	B8ES	2411	Q201	BR8EIX	5044
Skyliner 400		400	1	2004-		0.7	CR7E	4578	Q225	CR7EIX	7385

METEORIT

Cruiser 125		125	1	-		0.7	DR8EA	7162		DR8EIX	6681
--------------------	--	-----	---	---	--	-----	-------	------	--	--------	------

MIDWEST

JC50Q-9		50	1	2000-		0.7	CR6HSA	2983		CR6HIX	7274
JC70Y		70	1	2000-		0.7	CR6HSA	2983		CR6HIX	7274
JS70Y		70	1	2000-		0.7	CR6HSA	2983		CR6HIX	7274
JS90Y		90	1	2000-		0.7	CR6HSA	2983		CR6HIX	7274
JC150Y		150	1	2000-		0.7	DR7EA	7839		DR7EIX	5686
JS200Y		200	1	2000-		0.7	DR7EA	7839		DR7EIX	5686

MINARELLI

50 Cross		50	1	-		0.5	BR10EIX**	6801			
50 Trial		50	1	-		0.5	BR10EIX**	6801			
A		50	1	-		0.5	B6HS	4510		BR6HIX	3419
C2		50	1	-	14mm Thread Size / 19mm Thread Reach	0.5	B6ES	7310			
C2		50	1	-	14mm Thread Size / 12,7mm Thread Reach	0.5	B6HS	4510		BR6HIX	3419
C3KS		50	1	-		0.5	B6ES	7310			
C3PK		50	1	-	14mm Thread Size / 19mm Thread Reach	0.5	B6ES	7310			
C3PK		50	1	-	14mm Thread Size / 12,7mm Thread Reach	0.5	B6HS	4510		BR6HIX	3419
E		50	1	-		0.5	B6HS	4510		BR6HIX	3419
E2		50	1	-	14mm Thread Size / 19mm Thread Reach	0.5	B6ES	7310			
E2		50	1	-	14mm Thread Size / 12,7mm Thread Reach	0.5	B6HS	4510		BR6HIX	3419
G1		50	1	-	14mm Thread Size / 19mm Thread Reach	0.5	B6ES	7310			
G1		50	1	-	14mm Thread Size / 12,7mm Thread Reach	0.5	B6HS	4510		BR6HIX	3419
H3		50	1	-		0.5	B6HS	4510		BR6HIX	3419
P3A		50	1	-		0.5	B6HS	4510		BR6HIX	3419
P3N		50	1	-		0.5	B6HS	4510		BR6HIX	3419
P3S		50	1	-		0.5	B6HS	4510		BR6HIX	3419
P4		50	1	-		0.5	B6HS	4510		BR6HIX	3419
P4CS		50	1	-		0.5	B7ES	1111		BR7EIX	6664
P4CSA		50	1	-		0.5	B7ES	1111		BR7EIX	6664
P4E		50	1	-		0.5	B6HS	4510		BR6HIX	3419

*Bitte Elektrodenabstand nach Angaben des Herstellers justieren

*Please adjust the ground electrode gap

*Veuillez vérifier l'écartement

* Por favor, ajustar la distancia entre los electrodos

*Regolare il gap

* Iridium IX Spark Plug is the standard recommendation





Stock No.

Quick No.

Upgrade ↑

Stock No. ↑

MINARELLI

P4R		50	1	-		0.5	B7ES	1111		BR7EIX	6664
P6		50	1	-		0.5	B6HS	4510		BR6HIX	3419
P 6 Competizione		50	1	-		0.5	BR10EIX**	6801			
P6CS		50	1	-		0.5	B7ES	1111		BR7EIX	6664
P6CSA		50	1	-		0.5	B7ES	1111		BR7EIX	6664
P6R		50	1	-		0.5	B7ES	1111		BR7EIX	6664
P 6 Super		50	1	-		0.5	B8HS	5510		BR8HIX	7001
RV4		50	1	-		0.5	B7ES	1111		BR7EIX	6664
RV4 A		50	1	-		0.5	B7ES	1111		BR7EIX	6664
V1		50	1	-	14mm Thread Size / 19mm Thread Reach	0.5	B6ES	7310			
V1		50	1	-	14mm Thread Size / 12,7mm Thread Reach	0.5	B6HS	4510		BR6HIX	3419
V1A		50	1	-	14mm Thread Size / 19mm Thread Reach	0.5	B6ES	7310			
V1A		50	1	-	14mm Thread Size / 12,7mm Thread Reach	0.5	B6HS	4510		BR6HIX	3419
V1H		50	1	-		0.5	B6HS	4510		BR6HIX	3419
V1HLE		50	1	-		0.5	B6HS	4510		BR6HIX	3419
V1KS		50	1	-	14mm Thread Size / 19mm Thread Reach	0.5	B6ES	7310			
V1KS		50	1	-	14mm Thread Size / 12,7mm Thread Reach	0.5	B6HS	4510		BR6HIX	3419
V1L		50	1	-		0.5	B6HS	4510		BR6HIX	3419
V2		50	1	-	14mm Thread Size / 19mm Thread Reach	0.5	B6ES	7310			
V2		50	1	-	14mm Thread Size / 12,7mm Thread Reach	0.5	B6HS	4510		BR6HIX	3419
VIP		50	1	-	14mm Thread Size / 19mm Thread Reach	0.5	B6ES	7310			
VIP		50	1	-	14mm Thread Size / 12,7mm Thread Reach	0.5	B6HS	4510		BR6HIX	3419
W3 QM		60	1	-		0.5	B6HS	4510		BR6HIX	3419
Trial		75	1	-		0.5	B9EG	3530			
MR 6		80	1	-		0.5	BR10EIX**	6801			
MR 6/80		80	1	-		0.5	BR10EIX**	6801			
P 680		80	1	-		0.5	B6HS	4510		BR6HIX	3419
125		125	1	-		0.5	B8ES	2411	Q201	BR8EIX	5044
125/5		125	1	-		0.5	B8ES	2411	Q201	BR8EIX	5044
125/5 Cross		125	1	-		0.5	BR10EIX**	6801			
125/5 Regolarità		125	1	-		0.5	BR10EIX**	6801			
125 Cross		125	1	-		0.5	BR10EIX**	6801			
125 Regolarità		125	1	-		0.5	BR10EIX**	6801			
125 YPVS		125	1	-	YAMAHA	0.5	B8ES	2411	Q201	BR8EIX	5044

MINSK

MMB3-3		125	1	-		0.7	BP7HS	5111		BPR7HIX	5944
MMB3-3.112		125	1	-	10hp	0.7	BP7HS	5111		BPR7HIX	5944
MMB3-3.113		125	1	-	10hp	0.7	BP7HS	5111		BPR7HIX	5944
MMB3-3.1131		125	1	-	10hp	0.7	BP7HS	5111		BPR7HIX	5944
MMB3-3.11311		125	1	-	10hp	0.7	BP7HS	5111		BPR7HIX	5944
Mototeleschka C-3.901		125	1	-	10hp	0.7	BP7HS	5111		BPR7HIX	5944

MONDIAL

Piega VTR 1000 SP		1000	2	2003-		1.1	FR9BI-11	4709			
-------------------	--	------	---	-------	--	-----	----------	------	--	--	--

*Bitte Elektrodenabstand nach Angaben des Herstellers justieren

*Please adjust the ground electrode gap

*Veuillez vérifier l'écartement

* Por favor, ajustar la distancia entre los electrodos

*Regolare il gap

** Iridium IX Spark Plug is the standard recommendation





Stock No.

Quick No.

Upgrade ↑

Stock No. ↑

MONTESA

Brio		50	1	-		0.5	B7HS	5110		BR7HIX	7067
Cappra 250 VR		250	1	-		0.5	B9ES	2611	Q202	BR9EIX	3981
Cota 315		250	1	1997-1999	HONDA	0.6	BR6ES	4922			
Cota 4RT		250	1	2005-		0.6	CR6EH-9	2688			
Cota 4RT		250	1	2009-		0.9	CR6EH-9	2688			
Cota 4RT Repsol		250	1	2009-		0.9	CR6EH-9	2688			
Cota 311		260	1	-		0.6	BPR5ES	7422		BPR5EIX	6597
315R		315	1	1997-		0.8	BR6ES	4922			

MOPEX

S 2200		49	1	2006-		0.7	BR6HS	4200		BR6HIX	3419
S 3800		49	1	2006-		0.7	BR6HS	4200		BR6HIX	3419
S 4800		49	1	2006-		0.7	BR6HS	4200		BR6HIX	3419

MOTO GUZZI MC

Magnum		50	1	-		0.5	B6ES	7310			
Nevada Club		350	2	1998-1999		0.7	BR8ES	5422	Q207	BR8EIX	5044
Nevada NT		350	2	1992-1994		0.6	B8ES	2411	Q201	BR8EIX	5044
Nevada NT		350	2	1994-1997		0.7	BR8ES	5422	Q207	BR8EIX	5044
V 350 Nevada		350	2	1992-		0.6	B8ES	2411	Q201	BR8EIX	5044
750 SP		750	2	1992-		0.6	B8ES	2411	Q201	BR8EIX	5044
750 Targa		750	2	1992-		0.6	B8ES	2411	Q201	BR8EIX	5044
Breva 750		750	2	-		0.6	BR8ES	5422	Q207	BR8EIX	5044
Breva 750 Naked		750	2	2003-		0.6	BR8ES	5422	Q207	BR8EIX	5044
Breva 750 Touring		750	2	2006-		0.6	BR8ES	5422	Q207	BR8EIX	5044
Nevada 750 Anniversario		750	2	2012-		0.9	CPR8EB-9	6607			
Nevada 750 Aquila Nera		750	2	2010-		0.6	BR8ES	5422	Q207	BR8EIX	5044
Nevada 750 Base-Club		750	2	2002-2003		0.6	BR8ES	5422	Q207	BR8EIX	5044
Nevada 750 Basic		750	2	1992-		0.6	B8ES	2411	Q201	BR8EIX	5044
Nevada 750 Classic Anniversario		750	2	2010-2011		0.6	BR8ES	5422	Q207	BR8EIX	5044
Nevada 750 Classic ie		750	2	2004-		0.6	BR8ES	5422	Q207	BR8EIX	5044
Nevada 750 Club		750	2	1998-2001		0.6	BR8ES	5422	Q207	BR8EIX	5044
Nevada 750 NT		750	2	1993-1994		0.6	B8ES	2411	Q201	BR8EIX	5044
Nevada 750 NT		750	2	1994-1997		0.7	BR8ES	5422	Q207	BR8EIX	5044
V 7		750	2	2012-		0.9	CPR8EB-9	6607			
V 75		750	2	1992-		0.6	B8ES	2411	Q201	BR8EIX	5044
V 750 NTX		750	2	1992-		0.6	B8ES	2411	Q201	BR8EIX	5044
V 750 Polizia NT		750	2	1992-		0.6	B8ES	2411	Q201	BR8EIX	5044
V 75 Nevada		750	2	1992-		0.6	B8ES	2411	Q201	BR8EIX	5044
V 7 Café Classic		750	2	2009-		0.6	BR8ES	5422	Q207	BR8EIX	5044
V 7 Café Racer		750	2	2010-2011	14mm Thread Size / 19mm Thread Reach	0.6	BR8ES	5422	Q207	BR8EIX	5044
V 7 Café Racer		750	2	2011-	10mm Thread Size / 19mm Thread Reach	0.9	CPR8EB-9	6607			
V 7 Classic		750	2	2008-		0.6	BR8ES	5422	Q207	BR8EIX	5044
V 7 Racer		750	2	2010-2011		0.6	BR8ES	5422	Q207	BR8EIX	5044
V 7 Racer		750	2	2012-		0.9	CPR8EB-9	6607			
V 7 Special		750	2	2012-		0.9	CPR8EB-9	6607			
V 7 Stone		750	2	2012-		0.9	CPR8EB-9	6607			
V Breva 750 i.e		750	2	2004-		0.6	BPR6ES	7822		BPR6EIX	6637
Griso 850		850	2	2006-		0.8	BPR6ES	7822		BPR6EIX	6637
Breva 850		877	2	2006-		0.8	BPR6ES	7822		BPR6EIX	6637

* Bitte Elektrodenabstand nach Angaben des Herstellers justieren

* Please adjust the ground electrode gap

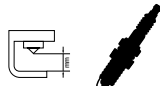
* Veuillez vérifier l'écartement

* Por favor, ajustar la distancia entre los electrodos

* Regolare il gap

* Iridium IX Spark Plug is the standard recommendation





Stock No.

Quick No.

Upgrade ↑

Stock No. ↑

MOTO GUZZI MC

Breva 850		877	2	2006-	Twin Spark	0.7	BPR6ES PMR8B	7822 6378		BPR6EIX	6637
Norge 850		877	2	2006-		0.8	BPR6ES	7822		BPR6EIX	6637
Bellagio 940		936	2	2011-		0.6	BPR6ES	7822		BPR6EIX	6637
Bellagio 940		940	2	2007-	Twin Spark	0.7	BPR6ES PMR8B	7822 6378		BPR6EIX	6637
Bellagio 940 Aquila Nera		940	2	2010-	Twin Spark	0.7	BPR6ES PMR8B	7822 6378		BPR6EIX	6637
1000		1000	2	-		0.6	BP6ES	7811		BPR6EIX	6637
California 1000 Carbu		1000	2	1994-1997		0.7	BPR6ES	7822		BPR6EIX	6637
California 1000 Inj.		1000	2	1994-1997		0.7	BPR6ES	7822		BPR6EIX	6637
Daytona 1000		1000	2	1992-		0.6	D9EA	2420		DR9EIX	4772
Daytona 1000 Racing		1000	2	1996-1996		0.7	D9EA	2420		DR9EIX	4772
Daytona 1000 RS		1000	2	1997-1998		0.7	DR9EA	3437	Q219	DR9EIX	4772
Quota 1000		1000	2	1992-		0.6	BPR7ES	2023		BPR7EIX	4055
Quota 1000 I.E.		1000	2	-		0.7	BPR8ES	5170	Q213	BPR8EIX	6684
T 5 Polizia		1000	2	1992-		0.6	BP6ES	7811		BPR6EIX	6637
V 10 Centauro		1000	2	1996-		0.7	DR9EA	3437	Q219	DR9EIX	4772
V 10 Centauro		1000	2	1997-1999		0.7	DR9EA	3437	Q219	DR9EIX	4772
V 10 Centauro GT		1000	2	1996-		0.7	DR9EA	3437	Q219	DR9EIX	4772
V 10 Centauro Sport		1000	2	1996-		0.7	DR9EA	3437	Q219	DR9EIX	4772
1100 Sport		1100	2	1996-		0.6	BPR6ES	7822		BPR6EIX	6637
Breva 1100		1100	2	2006-	Twin Spark	0.6	BPR6ES PMR8B	7822 6378		BPR6EIX	6637
California 1100 Aluminium		1100	2	2003-		0.6	BPR6ES	7822		BPR6EIX	6637
California 1100 Aquila Nera		1100	2	2010-	Twin Spark	0.6	BPR6ES PMR8B	7822 6378		BPR6EIX	6637
California 1100 Carb		1100	2	1994-1997		0.6	BPR6ES	7822		BPR6EIX	6637
California 1100 Classic		1100	2	2007-	Twin Spark	0.6	BPR6ES PMR8B	7822 6378		BPR6EIX	6637
California 1100 EV		1100	2	1997-2005		0.6	BPR6ES	7822		BPR6EIX	6637
California 1100 EV Touring		1100	2	2001-2002		0.7	BPR6ES	7822		BPR6EIX	6637
California 1100 Inj		1100	2	1994-1997		0.6	BPR6ES	7822		BPR6EIX	6637
California 1100 Jackal		1100	2	1999-2001		0.6	BPR6ES	7822		BPR6EIX	6637
California 1100 KC		1100	2	1994-		0.6	BPR6ES	7822		BPR6EIX	6637
California 1100 KD		1100	2	1994-		0.6	BPR6ES	7822		BPR6EIX	6637
California 1100 Special		1100	2	1994-1997		0.6	BPR6ES	7822		BPR6EIX	6637
California 1100 Special		1100	2	2002-		0.6	BPR6ES	7822		BPR6EIX	6637
California 1100 Special Sport		1100	2	2002-	73hp	0.6	BPR6ES	7822		BPR6EIX	6637
California 1100 Stone		1100	2	-	73hp	0.6	BPR6ES	7822		BPR6EIX	6637
California 1100 Stone Metal		1100	2	2001-2002		0.7	BPR6ES	7822		BPR6EIX	6637
California 1100 Stone Touring		1100	2	2003-2004		0.7	BPR6ES	7822		BPR6EIX	6637
California 1100 Titanium		1100	2	2003-		0.6	BPR6ES	7822		BPR6EIX	6637
California 1100 Touring		1100	2	2006-2006	Twin Spark	0.7	BPR6ES	7822		BPR6EIX	6637
California 1100 Touring		1100	2	2006-2006	Twin Spark	0.6	PMR8B	6378			
California 1100 Vintage		1100	2	2007-	Twin Spark	0.7	BPR6ES	7822		BPR6EIX	6637
California 1100 Vintage		1100	2	2007-	Twin Spark	0.6	PMR8B	6378			
California 1100 Vintage 90ième Anniversaire		1100	2	2011-	Twin Spark	0.7	BPR6ES PMR8B	7822 6378		BPR6EIX	6637
Daytona 1100 RS		1100	2	1996-		0.7	DR8EA	7162		DR8EIX	6681
Griso 1100		1100	2	2005-	Twin Spark	0.7	BPR6ES PMR8B	7822 6378		BPR6EIX	6637
Quota 1100		1100	2	1998-		0.6	BPR6ES	7822		BPR6EIX	6637
Quota ES		1100	2	1998-2002		0.6	BPR6ES	7822		BPR6EIX	6637

* Bitte Elektrodenabstand nach Angaben des Herstellers justieren

* Please adjust the ground electrode gap

* Veuillez vérifier l'écartement

* Por favor, ajustar la distancia entre los electrodos

* Regolare il gap

** Iridium IX Spark Plug is the standard recommendation





Stock No.

Quick No.

Upgrade ↑

Stock No. ↑

MOTO GUZZI MC

Quota I.E.		1100	2	1998-2002		0.6	BPR6ES	7822		BPR6EIX	6637
Sport 1100		1100	2	1994-1995		0.7	BP6ES	7811		BPR6EIX	6637
Sport 1100		1100	2	1995-		0.6	BPR6ES	7822		BPR6EIX	6637
Sport 1100i		1100	2	1996-		0.6	BPR6ES	7822		BPR6EIX	6637
Stone 1100 Touring		1100	2	2003-		0.6	BPR6ES	7822		BPR6EIX	6637
V 11		1100	2	2005-	Twin Spark	0.7	BPR6ES PMR8B	7822 6378		BPR6EIX	6637
V 11 Ballabio		1100	2	2003-2005		0.7	BPR6ES	7822		BPR6EIX	6637
V 11 Cafe Sport		1100	2	2003-2005		0.7	BPR6ES	7822		BPR6EIX	6637
V 11 Coppa Italia		1100	2	2003-2004		0.7	BPR6ES	7822		BPR6EIX	6637
V 11 Le Mans		1100	2	-		0.6	BPR6ES	7822		BPR6EIX	6637
V 11 Le Mans Nero Corsa		1100	2	2004-	91hp	0.6	BPR6ES	7822		BPR6EIX	6637
V 11 Naked		1100	2	2003-		0.6	BPR6ES	7822		BPR6EIX	6637
V 11 Rosso Mandello		1100	2	1999-		0.6	BPR6ES	7822		BPR6EIX	6637
V 11 Scura		1100	2	2003-		0.6	BPR6ES	7822		BPR6EIX	6637
V 11 Scura R		1100	2	2004-2005		0.7	BPR6ES	7822		BPR6EIX	6637
V 11 Sport		1100	2	1999-		0.6	BPR6ES	7822		BPR6EIX	6637
V 11 Sport Ballado		1100	2	2003-		0.6	BPR6ES	7822		BPR6EIX	6637
V 11 Sport IE		1100	2	1995-1999		0.6	BPR6ES	7822		BPR6EIX	6637
V 11 Sport IE Corsa		1100	2	1995-1999		0.6	BPR6ES	7822		BPR6EIX	6637
1200 Sport		1200	2	2007-2009	Twin Spark	0.7	BPR6ES PMR8B	7822 6378		BPR6EIX	6637
1200 Sport 4V		1200	2	2009-		0.7	CR8EKB	4374			
Breva 1200		1200	2	2008-	Twin Spark	0.7	BPR6ES PMR8B	7822 6378		BPR6EIX	6637
Griso 1200 8V		1200	2	2008-		0.7	PMR8B	6378			
Griso 1200 8V Special Edition		1200	2	2009-		0.7	CR8EKB	4374			
Griso 8V 1200 SE		1200	2	2009-		0.7	PMR8B	6378			
Norge GT 1200		1200	2	2006-2009	Twin Spark	0.7	BPR6ES PMR8B	7822 6378		BPR6EIX	6637
Norge GT 8V		1200	2	2009-		0.7	CR8EKB	4374			
Sport 1200 8V		1200	4	2008-		0.7	PMR8B	6378			
Stelvio 1200		1200	2	2008-		*	CR8EKB	4374			
Stelvio 1200 4V		1200	2	2008-		0.7	PMR8B	6378			
Stelvio 1200 NTX		1200	2	2009-		0.7	CR8EKB	4374			
Stelvio 1200 TT (NTX)		1200	2	2009-		0.7	PMR8B	6378			
MGS Café Sport		1225	2	2004-		0.7	D10EA	2720			
MGS 01		1250	2	2004-		*	DCPR9EIX**	2316			
California		1400	2	2013-	Twin Spark	0.9	LMAR8F-9	90894			

MOTO MORINI

350 Excalibur		350	2	1992-		0.5	BPR7ES	2023		BPR7EIX	4055
501 Excalibur		501	2	1992-		0.5	BPR7ES	2023		BPR7EIX	4055
9½		1187	2	2006-		0.7	CR9E	6263	Q227	CR9EIX	3521
Corsaro 1200		1200	2	2005-		0.7	CR9E	6263	Q227	CR9EIX	3521

MOTOR HISPANIA

50SL		50	1	-		0.5	B6ES	7310			
Cangurito 50 Cross		50	1	-		0.5	B6HS	4510		BR6HIX	3419
Cangurito 50 MH		50	1	-		0.5	B6HS	4510		BR6HIX	3419
Cross		50	1	-		0.5	B6HS	4510		BR6HIX	3419
Feria		50	1	-		0.5	B6ES	7310			
Furia		50	1	1999-	14mm Thread Size / 12,7mm Thread Reach	0.6	BPR7HS	6422		BPR7HIX	5944

* Bitte Elektrodenabstand nach Angaben des Herstellers justieren

* Please adjust the ground electrode gap

* Veuillez vérifier l'écartement

* Por favor, ajustar la distancia entre los electrodos

* Regolare il gap

* Iridium IX Spark Plug is the standard recommendation





Stock No.

Quick No.

Upgrade ↑

Stock No. ↑

MOTOR HISPANIA

Furia		50	1	1999-	14mm Thread Size / 19mm Thread Reach	0.6	BR9ES	5722		BR9EIX	3981
Furia 50 4v		50	1	-		0.8	BR9ES	5722		BR9EIX	3981
Furia 50 6v Cross		50	1	-		0.8	BR9ES	5722		BR9EIX	3981
Furia 50 6v Super		50	1	-		0.8	BR9ES	5722		BR9EIX	3981
Furia Cross		50	1	1999-	14mm Thread Size / 12,7mm Thread Reach	0.6	BPR7HS	6422		BPR7HIX	5944
Furia Cross		50	1	1999-	14mm Thread Size / 19mm Thread Reach	0.6	BR9ES	5722		BR9EIX	3981
GT 81		50	1	-		0.5	B6HS	4510		BR6HIX	3419
Jabato		50	1	-		0.5	B6ES	7310			
M 80 Automatico		50	1	-		0.5	B6ES	7310			
MH		50	1	-		0.5	B6HS	4510		BR6HIX	3419
MH49		50	1	-		0.5	B6HS	4510		BR6HIX	3419
MH 80		50	1	-		0.5	B6HS	4510		BR6HIX	3419
Minicross 50		50	1	-		0.5	B7HS	5110		BR7HIX	7067
Racing 50 RX		50	1	-		0.8	BR9ES	5722		BR9EIX	3981
RYZ 50 Cross		50	1	-		0.6	BR9ES	5722		BR9EIX	3981
RYZ 50 Supermoto		50	1	-		0.6	BR9ES	5722		BR9EIX	3981
Sport 49		50	1	-		0.5	B6HS	4510		BR6HIX	3419
Style 50		50	1	-		0.5	B7HS	5110		BR7HIX	7067
Duna 125 SM		125	1	2007-		0.7	CR6HSA	2983		CR6HIX	7274
Duna 125 SX		125	1	2007-		0.7	CR6HSA	2983		CR6HIX	7274
MH7 125		125	1	2010-		0.7	CR6HSA	2983		CR6HIX	7274
RYZ 125		125	1	-		0.6	CR7HSA	4549		CR7HIX	7544

MOTO ROMA

Bee 50		50	1	-		0.6	BPR7HS	6422		BPR7HIX	5944
GoGo 50		50	1	-		0.6	BPR7HS	6422		BPR7HIX	5944
Grand Prix 50		50	1	-		0.6	BPR7HS	6422		BPR7HIX	5944
MRX1		50	1	-		0.6	B8HS	5510		BR8HIX	7001
MRX2		50	1	-		0.6	B8HS	5510		BR8HIX	7001
MRX2 Sprint		50	1	2002-		0.6	B7HS	5110		BR7HIX	7067
MRX3		50	1	2002-		0.6	B6HS	4510		BR6HIX	3419
MRX3 Sprint		50	1	2002-		0.6	B7HS	5110		BR7HIX	7067
MRX4		50	1	2003-		0.7	BR10ES	4832		BR10EIX	6801
Roadrunner 50		50	1	-		0.6	BP7HS	5111		BPR7HIX	5944
RT 50		50	1	-		0.6	BPR7HS	6422		BPR7HIX	5944
Scrambler 50		50	1	-		0.6	BPR7HS	6422		BPR7HIX	5944
Stinger 50		50	1	-		0.6	BPR7HS	6422		BPR7HIX	5944
Stinger 50 II		50	1	-		0.6	BPR7HS	6422		BPR7HIX	5944
Wasp 50		50	1	-		0.6	BPR7HS	6422		BPR7HIX	5944
Wasp 50 II		50	1	-		0.6	BPR7HS	6422		BPR7HIX	5944
RT 90		90	1	2002-		0.6	BPR7HS	6422		BPR7HIX	5944
Grand Prix 100		100	1	-		0.6	BPR7HS	6422		BPR7HIX	5944
Roadrunner 100		100	1	-		0.6	BPR7HS	6422		BPR7HIX	5944
GoGo 110		110	1	-		0.6	CR7HS	7223		CR7HIX	7544
Grand Prix 125		125	1	-	Italy	0.6	CR7HS	7223		CR7HIX	7544
MRX 125		125	1	2002-		0.6	D8EA	2120	Q216	DR8EIX	6681
MRX 125 B		125	1	-	Italy	0.6	CR7HSA	4549		CR7HIX	7544
Road Runner 125		125	1	-		0.6	C7HSA	4629		CR7HIX	7544
SK125		125	1	2010-	Italy	0.6	DR8EA	7162		DR8EIX	6681
SMX 125		125	1	-		0.6	CR7HSA	4549		CR7HIX	7544
Virage 125		125	1	-	Italy	0.6	D8EA	2120	Q216	DR8EIX	6681

*Bitte Elektrodenabstand nach Angaben des Herstellers justieren

*Please adjust the ground electrode gap

*Veuillez vérifier l'écartement

* Por favor, ajustar la distancia entre los electrodos

*Regolare il gap

** Iridium IX Spark Plug is the standard recommendation





Stock No.

Quick No.

Upgrade ↑

Stock No. ↑

MOTOR TEK

MT 50		50	1	2005-		0.5	BR8HSA	5539			
--------------	--	----	---	-------	--	-----	--------	------	--	--	--

MOTO-SPEZIAL

Bassa-Lunga		1100	2	1999-		0.8	BP6ES	7811		BPR6EIX	6637
Sportiva 1100i		1100	2	1999-		0.8	BP6ES	7811		BPR6EIX	6637

MOTOTECHNIKA

Tricycle	ZID-50	50	1	1998-		0.6	BP7HS	5111		BPR7HIX	5944
-----------------	--------	----	---	-------	--	-----	-------	------	--	---------	------

MOTRON

Spike 50		50	1	-		0.6	BR7HS	4737		BR7HIX	7067
Sting 50		50	1	1996-		0.6	BR7HS	4737		BR7HIX	7067
Syncro 50		50	1	-		0.6	BR7HS	4737		BR7HIX	7067
Thunder 50		50	1	1996-		0.6	BR7HS	4737		BR7HIX	7067
Thunder S 50		50	1	-		0.6	BR7HS	4737		BR7HIX	7067

MS

Sprite		50	1	-		0.7	BP6ES	7811		BPR6EIX	6637
Steward		50	1	-		0.7	BP6ES	7811		BPR6EIX	6637

MSA

MX		50	1	-		0.5	BR8HSA	5539			
RC		50	1	1999-		0.6	BR8ES	5422	Q207	BR8EIX	5044
RC SM		50	1	1999-		0.6	BR8ES	5422	Q207	BR8EIX	5044
RC Trophy Yacco		50	1	2000-		0.6	BR8ES	5422	Q207	BR8EIX	5044
RSE		50	1	1999-		0.6	BR8ES	5422	Q207	BR8EIX	5044
RTW		50	1	2000-		0.6	BR8ES	5422	Q207	BR8EIX	5044
SM		50	1	2001-		0.6	BR8ES	5422	Q207	BR8EIX	5044

MV AGUSTA

Brutale 675		675	3	2012-		0.7	CR9EKB	2305			
F3 675		675	3	2012-		0.7	CR9EKB	2305			
F3 675 RC		675	3	-		0.7	CR9EKB	2305			
F3 675 Serie Oro		675	3	2012-		0.7	CR9EKB	2305			
F4		750	4	1999-2004	track/race use only	1.1	R0045Q-10	4216			
F4 750 Brutale (oro)		750	4	1999-	126hp	0.7	CR9EKB	2305			
F4 750 Brutale S		750	4	2002-		0.7	CR9EKB	2305			
F4 750 Oro		750	4	1999-		0.7	CR9EB	6955			
F4 750 Oro	VIN.No >300	750	4	1999-		0.7	CR9EKB	2305			
F4 750 Oro S		750	4	1999-		0.7	CR9EB	6955			
F4 750 S 1+1 Biposto		750	4	2000-		0.7	CR9EB	6955			
F4 750 S American		750	4	-		0.5	B7ES	1111		BR7EIX	6664
F4 750 Senna		750	4	1999-	140hp	0.7	CR9EKB	2305			
F4 750 S SPR		750	4	1999-	140hp	0.7	CR9EKB	2305			
Brutale 800		800	3	2012-		0.9	CR9EIB-9	92579			
Dragster 800		800	3	2013-		0.9	CR9EIB-9	92579			
F3 800		800	3	2013-	148hp	0.9	CR9EIB-9	92579			
Rivale 800		800	3	2013-	110hp	0.9	CR9EIB-9	92579			
RVS#1		800	3	-		0.9	CR9EIB-9	92579			
Turismo Veloce 800		800	3	2013-	110hp	0.9	CR9EIB-9	92579			
Brutale 910 S		910	4	2005-2008		0.8	CR9EKB	2305			
F4 Brutale 910		910	4	2005-		0.7	CR9EB	6955			
F4 Brutale 910 R		910	4	2006-		0.7	CR9EB	6955			
Brutale 920		921	4	2011-		0.7	CR9EB	6955			
Brutale 989 R		989	4	2008-		0.7	CR9EB	6955			

* Bitte Elektrodenabstand nach Angaben des Herstellers justieren

* Please adjust the ground electrode gap

* Veuillez vérifier l'écartement

* Por favor, ajustar la distancia entre los electrodos

* Regolare il gap

* Iridium IX Spark Plug is the standard recommendation





Stock No.

Quick No.

Upgrade ↑

Stock No. ↑

MV AGUSTA

Brutale 990 R		998	4	2010-		0.7	CR9EB	6955			
F4 1000		1000	4	2013-	195hp	0.7	CR9EB	6955			
F4 1000 LH44		1000	4	-		0.7	CR9EB	6955			
F4 1000 R		1000	4	2008-		0.7	CR9EB	6955			
F4 1000 RC		1000	4	2015-		0.7	CR9EB	6955			
F4 1000 RR		1000	4	2012-	205hp	0.7	CR9EB	6955			
F4 1000 S		1000	4	2004-		1.1	R0045Q-10	4216			
F4 1000 Senna		1000	4	2006-		1.1	R0045Q-10	4216			
F4 1000 Tamburini		1000	4	2004-		1.1	R0045Q-10	4216			
Brutale 1078 RR		1078	4	2008-		0.7	CR9EB	6955			
Brutale 1090 R		1078	4	2010-		0.7	CR9EB	6955			
Brutale 1090 RR		1078	4	2010-		0.7	CR9EB	6955			
Brutale 1090		1090	4	2012-		0.7	CR9EB	6955			
Brutale 1090 R		1090	4	2012-		0.7	CR9EB	6955			
F4 1078 RR		1100	4	2008-		0.7	CR9EB	6955			

MZ

Moskito 50 RX		50	1	2002-	not Europe	0.6	BPR6HS	7022		BPR6HIX	4085
Moskito 50 RX		50	1	2002-	Europe	0.6	BR8HSA	5539			
Moskito 50 SX	CP150C	50	1	1999-		0.6	BR7HS	4737		BR7HIX	7067
Moskito FB 50		50	1	1997-		0.6	BR7HS	4737		BR7HIX	7067
125 Fun X		125	1	2001-		0.7	CR8E	4854	Q226	CR8EIX	4218
125 Fun X		125	1	2003-		0.6	CR8E	4854	Q226	CR8EIX	4218
125 SM		125	1	2001-		0.7	CR8E	4854	Q226	CR8EIX	4218
125 SX		125	1	2001-		0.7	CR8E	4854	Q226	CR8EIX	4218
125 Younster Cup		125	1	2003-		0.6	CR8E	4854	Q226	CR8EIX	4218
Cup Replica 125 SM		125	1	2005-		0.6	CR8E	4854	Q226	CR8EIX	4218
Gangata 125 SM		125	1	2005-		0.6	CR8E	4854	Q226	CR8EIX	4218
Moskito 125		125	1	2001-		0.6	CR7HSA	4549		CR7HIX	7544
RT 125		125	1	2000-		0.6	CR8E	4854	Q226	CR8EIX	4218
RT 125 Classic		125	1	2003-		0.6	CR8E	4854	Q226	CR8EIX	4218
RT 125 SM		125	1	2000-		0.6	CR8E	4854	Q226	CR8EIX	4218
Saxon Roadstar		125	1	-	10hp	0.6	B8HS	5510		BR8HIX	7001
Saxon Sportstar		125	1	-	15hp	0.6	B8HS	5510		BR8HIX	7001
Saxon Sportstar		125	1	-	10hp	0.6	B8HS	5510		BR8HIX	7001
SM 125		125	1	2001-		0.7	CR8E	4854	Q226	CR8EIX	4218
Striker 125 RT		125	1	2005-		0.6	CR8E	4854	Q226	CR8EIX	4218
Supermoto 125		125	1	2005-		0.6	CR8E	4854	Q226	CR8EIX	4218
SX 125		125	1	2002-		0.7	CR8E	4854	Q226	CR8EIX	4218
Twin Colour 125 SM		125	1	2006-		0.6	CR8E	4854	Q226	CR8EIX	4218
Saxon Roadstar		150		-		0.6	B8HS	5510		BR8HIX	7001
Saxon Sportstar		150	1	-	12hp	0.6	B8HS	5510		BR8HIX	7001
ETZ Classic		251	1	-	18hp	0.6	B8HS	5510		BR8HIX	7001
ETZ Classic		251	1	-	20hp	0.6	B8HS	5510		BR8HIX	7001
Saxon 251 Fun		251	1	-	18hp	0.6	B8HS	5510		BR8HIX	7001
Saxon 251 Fun		251	1	-	20hp	0.6	B8HS	5510		BR8HIX	7001
Saxon 251 Tour		251	1	-	20hp	0.6	B8HS	5510		BR8HIX	7001
Saxon 251 Tour		251	1	-	18hp	0.6	B8HS	5510		BR8HIX	7001
ETZ 301 Classic		301	1	-	23hp	0.6	B8HS	5510		BR8HIX	7001
Saxon 301 Fun		301	1	-	23hp	0.6	B8HS	5510		BR8HIX	7001
Saxon 301 Tour		301	1	-	23hp	0.6	B8HS	5510		BR8HIX	7001
MZ500 / 500R		500	1	1992-1996		0.7	D8EA	2120	Q216	DR8EIX	6681
Saxon 500 Country		500	1	-	34hp	0.7	D8EA	2120	Q216	DR8EIX	6681

*Bitte Elektrodenabstand nach Angaben des Herstellers justieren

*Please adjust the ground electrode gap

*Veuillez vérifier l'écartement

* Por favor, ajustar la distancia entre los electrodos

*Regolare il gap

** Iridium IX Spark Plug is the standard recommendation





Stock No.

Quick No.

Upgrade ↑

Stock No. ↑

MZ

Saxon 500 Fun		500	1	-	34hp	0.7	D8EA	2120	Q216	DR8EIX	6681
Saxon 500 Fun		500	1	-	27hp	0.7	D8EA	2120	Q216	DR8EIX	6681
Saxon 500 Funkkrad		500	1	-	34hp	0.7	D8EA	2120	Q216	DR8EIX	6681
Saxon 500 Funkkrad		500	1	-	27hp	0.7	D8EA	2120	Q216	DR8EIX	6681
Saxon 500 Tour		500	1	-	27hp	0.7	D8EA	2120	Q216	DR8EIX	6681
Saxon 500 Tour		500	1	-	34hp	0.7	D8EA	2120	Q216	DR8EIX	6681
Saxon 500 Voyager		500	1	-	34hp	0.7	D8EA	2120	Q216	DR8EIX	6681
Saxon 500 Voyager		500	1	-	27hp	0.7	D8EA	2120	Q216	DR8EIX	6681
Silver Star Classic 500		500	1	-	27hp	0.7	D8EA	2120	Q216	DR8EIX	6681
Silver Star Classic 500		500	1	-	34hp	0.7	D8EA	2120	Q216	DR8EIX	6681
Silver Star Gespann 500		500	1	1995-	34hp	0.7	D8EA	2120	Q216	DR8EIX	6681
Baghira		660	1	1997-		0.9	DPR9EA-9	5329	Q222	DPR9EIX-9	5545
Baghira Black Panther		660	1	1999-		0.9	DPR9EA-9	5329	Q222	DPR9EIX-9	5545
Baghira Black Panther HR		660	1	2000-		0.9	DPR9EA-9	5329	Q222	DPR9EIX-9	5545
Baghira Forest		660	1	1999-		0.9	DPR9EA-9	5329	Q222	DPR9EIX-9	5545
Baghira HR		660	1	1999-		0.9	DPR9EA-9	5329	Q222	DPR9EIX-9	5545
Baghira Street Moto		660	1	1999-		0.9	DPR9EA-9	5329	Q222	DPR9EIX-9	5545
Baghira Street Moto HR		660	1	2000-		0.9	DPR9EA-9	5329	Q222	DPR9EIX-9	5545
Mastiff		660	1	1997-		0.9	DPR9EA-9	5329	Q222	DPR9EIX-9	5545
Replica 660		660	1	1995-		0.9	DPR9EA-9	5329	Q222	DPR9EIX-9	5545
Skorpion Cup		660	1	1996-		0.9	DPR9EA-9	5329	Q222	DPR9EIX-9	5545
Skorpion Replica		660	1	1995-		0.9	DPR9EA-9	5329	Q222	DPR9EIX-9	5545
Skorpion Sport		660	1	1994-		0.9	DPR9EA-9	5329	Q222	DPR9EIX-9	5545
Skorpion Tour		660	1	1994-		0.9	DPR9EA-9	5329	Q222	DPR9EIX-9	5545
Skorpion Traveller		660	1	1996-		0.9	DPR9EA-9	5329	Q222	DPR9EIX-9	5545
Supermoto 660		660	1	2005-		0.9	DPR9EA-9	5329	Q222	DPR9EIX-9	5545
1000 S		1000	2	2004-		0.8	BKUR6ET	6437			
1000 SF		1000	2	2005-		0.8	BKUR6ET	6437			

MZ KANUNI

Classic 125	SM	125		1997-		0.5	B8HS	5510		BR8HIX	7001
Kanuni 300		300		1997-		0.5	B8HS	5510		BR8HIX	7001

NIPPONIA

Neon		50	1	-		0.6	BPR7HS	6422		BPR7HIX	5944
Dion		125	1	-		0.6	CR7HSA	4549		CR7HIX	7544
Miro		125	1	-		0.6	CR7HSA	4549		CR7HIX	7544

NORTON

C 652 SM		650	2	1999-	Engine F650	0.6	D8EA	2120	Q216	DR8EIX	6681
----------	--	-----	---	-------	-------------	-----	------	------	------	--------	------

OSSA

TR 280i		272	1	2011-		0.5	BPR5ES	7422		BPR5EIX	6597
---------	--	-----	---	-------	--	-----	--------	------	--	---------	------

OTTO

Fashion 50		50	1	1996-		0.6	BR8HSA	5539			
GTX 50		50	1	1996-		0.6	BR7HS	4737		BR7HIX	7067

PEGASUS

Corona 25		50	1	-		0.5	BPR7HS	6422		BPR7HIX	5944
Corona 50		50	1	-		0.5	BPR7HS	6422		BPR7HIX	5944
Skiper 25		50	1	-		0.5	BPR7HS	6422		BPR7HIX	5944
Skiper 50		50	1	-		0.5	BPR7HS	6422		BPR7HIX	5944
Sky 25		50	1	-		0.5	BPR7HS	6422		BPR7HIX	5944

* Bitte Elektrodenabstand nach Angaben des Herstellers justieren

* Please adjust the ground electrode gap

* Veuillez vérifier l'écartement

* Por favor, ajustar la distancia entre los electrodos

* Regolare il gap

* Iridium IX Spark Plug is the standard recommendation





Stock No.

Quick No.

Upgrade ↑

Stock No. ↑

PEGASUS

Sky 25 High Wheels		50	1	-		0.5	BPR7HS	6422		BPR7HIX	5944
Sky 50		50	1	-		0.5	BPR7HS	6422		BPR7HIX	5944
Sky 50 High Wheels		50	1	-		0.5	BPR7HS	6422		BPR7HIX	5944
Solero 25		50	1	-		0.5	BPR7HS	6422		BPR7HIX	5944
Solero 50		50	1	-		0.5	BPR7HS	6422		BPR7HIX	5944
Corona 125 Comfort Edition		125	1	-		0.6	CR7HSA	4549		CR7HIX	7544
Corona 125 Sport Edition		125	1	-		0.6	CR7HSA	4549		CR7HIX	7544
Skipper 125		125	1	-		0.7	CR7HSA	4549		CR7HIX	7544
Sky 125		125	1	-		0.7	CR7HSA	4549		CR7HIX	7544

PEUGEOT

103 50 CRX		50	1	-		0.5	B8HS	5510		BR8HIX	7001
103 50 LC		50	1	-		0.5	B8ES	2411	Q201	BR8EIX	5044
103 50 LC M		50	1	-		0.6	BR7HS	4737		BR7HIX	7067
103 50 MP/MR		50	1	-		0.5	B8HS	5510		BR8HIX	7001
103 50 MVL M		50	1	-		0.7	BP5HS	4111			
103 50 Racen		50	1	-		0.5	B8HS	5510		BR8HIX	7001
103 50 RCX M		50	1	-		0.6	BR7HS	4737		BR7HIX	7067
103 50 SPX		50	1	2002-		0.7	BR7HS	4737		BR7HIX	7067
103 50 T16		50	1	-		0.5	B8HS	5510		BR8HIX	7001
103 50 TXLC		50	1	-		0.5	B8ES	2411	Q201	BR8EIX	5044
103 50 TXR		50	1	-		0.5	B8ES	2411	Q201	BR8EIX	5044
103 50 Vogue LE		50	1	-		0.7	BP5HS	4111			
103 50 Vogue SE		50	1	-		0.7	BP5HS	4111			
103 50 Vogue VSE		50	1	-		0.7	BP5HS	4111			
104 50		50	1	-		0.5	B5HS	4210			
105 50		50	1	-		0.5	B5HS	4210			
BB3K 50		50	1	-		0.5	B6HS	4510		BR6HIX	3419
BB3L 50		50	1	-		0.5	B6HS	4510		BR6HIX	3419
BB3SP 50		50	1	-		0.5	B6HS	4510		BR6HIX	3419
Blaster 50 RS 12		50	1	2008-		0.6	BR7HS	4737		BR7HIX	7067
Buxy 50		50	1	1995-1997		0.7	BR7HS	4737		BR7HIX	7067
Buxy 50		50	1	1995-1997	Air	0.6	B7HS	5110		BR7HIX	7067
Buxy RS 50		50	1	1995-1997	Air	0.6	B7HS	5110		BR7HIX	7067
C 50		50	1	-		0.5	B5HS	4210			
Elyséo 50		50	1	1998-		0.7	BR7HS	4737		BR7HIX	7067
Elystar 50 Advantage		50	1	-		0.7	BR7HS	4737		BR7HIX	7067
Elystar 50 TSDI		50	1	-2005		0.6	CPR8E	7411			
Elystar 50 TSDI		50	1	2006-		0.6	CR7EKA	1462			
Fox 50 Concept		50	1	-		0.7	BR7HS	4737		BR7HIX	7067
Fox 50 L		50	1	-		0.6	B7HS	5110		BR7HIX	7067
Fox 50 LM		50	1	-		0.6	B7HS	5110		BR7HIX	7067
Fox 50 LM Pro		50	1	-		0.7	BR7HS	4737		BR7HIX	7067
Fox 50 M		50	1	-		0.7	BR7HS	4737		BR7HIX	7067
Fox 50 MPH		50	1	-		0.7	BR7HS	4737		BR7HIX	7067
Fox 50 M Pro		50	1	-		0.7	BR7HS	4737		BR7HIX	7067
Fox 50 SPX M		50	1	-		0.6	B7HS	5110		BR7HIX	7067
GT 10		50	1	-		0.5	B6HS	4510		BR6HIX	3419
Jet 50 C-Tech Carbu		50	1	2010-		0.6	CR7EB	4663			
Jet Force 50		50	1	-2005		0.6	CPR8E	7411			
Jet Force 50 C-Tech		50	1	2005-		0.6	CR7EB	4663			
Jet Force 50 H2i		50	1	2011-		0.6	CR7EKA	1462			

* Bitte Elektrodenabstand nach Angaben des Herstellers justieren

* Please adjust the ground electrode gap

* Veuillez vérifier l'écartement

* Por favor, ajustar la distancia entre los electrodos

* Regolare il gap

** Iridium IX Spark Plug is the standard recommendation





Stock No.

Quick No.

Upgrade ↑

Stock No. ↑

PEUGEOT

Jet Force 50 TSDI	50	1	2003-		0.6	CR7EKA	1462			
Kisbee 50	50	1	2010-		0.6	CR7HSA	4549		CR7HIX	7544
Looxor 50	50	1	2001-2002		0.6	BR7HS	4737		BR7HIX	7067
Looxor 50 TSDI Injection	50	1	2002-2006		0.6	CR7EKA	1462			
Ludix 50 14 EP	50	1	2004-	Italy	0.6	BR7HS	4737		BR7HIX	7067
Ludix 50 14 Pro	50	1	2004-	Italy	0.6	BR7HS	4737		BR7HIX	7067
Ludix 50 2-50	50	1	2004-		0.6	BR7HS	4737		BR7HIX	7067
Ludix 50 Blaster	50	1	2004-		0.7	BR7HS	4737		BR7HIX	7067
Ludix 50 Blaster	50	1	2007-	Water fluid	0.7	CR7E	4578	Q225	CR7EIX	7385
Ludix 50 Blaster Furious	50	1	2011-		0.8	CR7EKB	4455			
Ludix 50 Classic	50	1	2004-		0.6	BR7HS	4737		BR7HIX	7067
Ludix 50 Elegance	50	1	2004-		0.6	BR7HS	4737		BR7HIX	7067
Ludix 50 LC-10 Blaster	50	1	2004-		0.6	BR7HS	4737		BR7HIX	7067
Ludix 50 LC-12 Blaster	50	1	2004-		0.6	BR7HS	4737		BR7HIX	7067
Ludix 50 LC-12 Blaster RS12	50	1	2004-	Italy	0.6	BR7HS	4737		BR7HIX	7067
Ludix 50 One	50	1	2004-		0.7	BR7HS	4737		BR7HIX	7067
Ludix 50 Snake	50	1	2004-		0.7	BR7HS	4737		BR7HIX	7067
Ludix 50 Trend	50	1	2004-		0.7	BR7HS	4737		BR7HIX	7067
Ludix 50 Urban Track	50	1	2004-		0.6	BR7HS	4737		BR7HIX	7067
Ludix Blaster	50	1	2008-	10mm Thread Size / 19mm Thread Reach	0.6	CR7EB	4663			
Ludix Blaster RS12	50	1	2006-	10mm Thread Size / 19mm Thread Reach	0.6	CR7EB	4663			
Metal-X 50	50	1	-		0.6	BR7HS	4737		BR7HIX	7067
NK7 50	50	1	2010-		0.6	BR9ES	5722		BR9EIX	3981
P 80	50	1	-		0.5	B8HS	5510		BR8HIX	7001
Rapido 50	50	1	-	Italy	0.6	BP6HS	4511		BPR6HIX	4085
Rapido 50	50	1	-		0.6	BR6HSA	4461	Q210		
Rapido 50 2	50	1	-		0.6	BR6HSA	4461	Q210		
Rapido 50 3	50	1	-		0.6	BR6HSA	4461	Q210		
RC 50 X-Race	50	1	2000-		0.6	BR7HS	4737		BR7HIX	7067
RS 50	50	1	-		0.5	B5HS	4210			
RT 50	50	1	-		0.5	B5HS	4210			
S 157	50	1	-		0.5	B5HS	4210			
S 55	50	1	-		0.5	B5HS	4210			
SC 50	50	1	-		0.5	B6HS	4510		BR6HIX	3419
SC 50 L	50	1	-		0.5	B6HS	4510		BR6HIX	3419
SC 50 L	50	1	-		0.6	BPR6HS	7022		BPR6HIX	4085
Scoper V50	50	1	-		0.5	B6HS	4510		BR6HIX	3419
Speedake 50	50	1	1996-		0.7	BR7HS	4737		BR7HIX	7067
Speedfight 50	50	1	-		0.6	BR8HS	4915	Q212	BR8HIX	7001
Speedfight 50 2 AC	50	1	-		0.7	BR7HS	4737		BR7HIX	7067
Speedfight 50 2 AC Iron	50	1	-		0.7	BR7HS	4737		BR7HIX	7067
Speedfight 50 2 AC Motorsport	50	1	-		0.7	BR7HS	4737		BR7HIX	7067
Speedfight 50 2 Air	50	1	2000-		0.7	BR7HS	4737		BR7HIX	7067
Speedfight 50 2 LC	50	1	-		0.7	BR7HS	4737		BR7HIX	7067
Speedfight 50 2 LC Motorsport	50	1	-		0.7	BR7HS	4737		BR7HIX	7067
Speedfight 50 2 LC Victories	50	1	-		0.7	BR7HS	4737		BR7HIX	7067
Speedfight 50 2 Liquide	50	1	2000-		0.7	BR7HS	4737		BR7HIX	7067
Speedfight 50 2 WRC	50	1	2000-		0.7	BR7HS	4737		BR7HIX	7067

* Bitte Elektrodenabstand nach Angaben des Herstellers justieren

* Please adjust the ground electrode gap

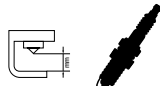
* Veuillez vérifier l'écartement

* Por favor, ajustar la distancia entre los electrodos

* Regolare il gap

* Iridium IX Spark Plug is the standard recommendation





Stock No.

Quick No.

Upgrade ↑

Stock No. ↑

PEUGEOT

Speedfight 50 2 X-Race		50	1	2000-		0.7	BR7HS	4737		BR7HIX	7067
Speedfight 50 3	F1ABAA	50	1	2009-	Water fluid	0.8	CR7EB	4663			
Speedfight 50 3	F1ACAA	50	1	2009-	Air	0.7	BPR5HS	6222			
Speedfight 50 3		50	1	2012-		0.7	BR7HS CR7EKA	4737 1462		BR7HIX	7067
Speedfight 50 3 Le Mans		50	1	2011-		0.7	BR7HS	4737		BR7HIX	7067
Speedfight 50 3 RS	F1AAAA	50	1	2009-	Air	0.7	BR7HS	4737		BR7HIX	7067
Speedfight 50 3 Team Peugeot		50	1	2011-		0.7	BR7HS	4737		BR7HIX	7067
Speedfight 50 Air		50	1	1998-	Italy Air	0.7	BR7HS	4737		BR7HIX	7067
Speedfight 50 LC		50	1	1996-2000	Water fluid	0.6	BR7HS	4737		BR7HIX	7067
Speedfight 50 LCD		50	1	1996-2000	Water fluid	0.6	BR7HS	4737		BR7HIX	7067
Speedfight 50 LCDP		50	1	1996-2000	Water fluid	0.6	BR7HS	4737		BR7HIX	7067
Speedfight 50 LCT		50	1	1996-2000	Water fluid	0.6	BR7HS	4737		BR7HIX	7067
Speedfight 50 M		50	1	1996-2000		0.6	BR7HS	4737		BR7HIX	7067
Speedfight 50 MP		50	1	1996-2000		0.6	BR7HS	4737		BR7HIX	7067
Speedfight 50 Prost Serie		50	1	1996-2000		0.6	BR7HS	4737		BR7HIX	7067
Speedfight 50 X Team		50	1	1999-2000		0.7	BR7HS	4737		BR7HIX	7067
Squab 50		50	1	-		0.7	BR7HS	4737		BR7HIX	7067
ST 50		50	1	-		0.6	BR6HSA	4461	Q210		
ST 50 50		50	1	-	Italy	0.5	B7HS	5110		BR7HIX	7067
ST 50 L2		50	1	-		0.6	BR6HSA	4461	Q210		
ST 50 L3		50	1	-		0.6	BR6HSA	4461	Q210		
ST 50 Metropolis		50	1	-	Italy	0.6	B7HS	5110		BR7HIX	7067
STL 2 50		50	1	-		0.6	BR6HSA	4461	Q210		
SV 50		50	1	-1995		0.6	B8HS	5510		BR8HIX	7001
SV 50		50	1	1996-		0.6	BR8HS	4915	Q212	BR8HIX	7001
SV 50 Geo		50	1	-		0.6	B8HS	5510		BR8HIX	7001
SV 50 Junior		50	1	-		0.6	B8HS	5510		BR8HIX	7001
SV 50 M		50	1	-		0.6	B8HS	5510		BR8HIX	7001
SX 50 Pro		50	1	-		0.5	BPR6HS	7022		BPR6HIX	4085
SX5 50		50	1	-		0.5	B5HS	4210			
TKR 50		50	1	-		0.5	B10ES	7928		BR10EIX	6801
TKR 50 307 WRC		50	1	-		0.6	BR7HS	4737		BR7HIX	7067
TKR 50 Furious AC		50	1	2005-		0.6	BR7HS	4737		BR7HIX	7067
TKR 50 Streetboard 50		50	1	-		0.6	BR7HS	4737		BR7HIX	7067
TKR 50 Victories		50	1	-		0.6	BR7HS	4737		BR7HIX	7067
TLX 50		50	1	-		0.5	B6HS	4510		BR6HIX	3419
Trekker 50		50	1	-		0.6	BR7HS	4737		BR7HIX	7067
Trekker 50 Black 2		50	1	1999-		0.6	BR7HS	4737		BR7HIX	7067
Trekker 50 Metal-X		50	1	2000-		0.6	BR7HS	4737		BR7HIX	7067
Trekker 50 Off Road		50	1	1997-		0.6	BR7HS	4737		BR7HIX	7067
Trekker 50 Road		50	1	-		0.6	BR8HS	4915	Q212	BR8HIX	7001
Trekker 50 Streetboard		50	1	1997-		0.6	BR7HS	4737		BR7HIX	7067
Trekker 50 Tuning		50	1	2000-		0.6	BR7HS	4737		BR7HIX	7067
Trekker 50 Urban Black		50	1	1999-		0.6	BR7HS	4737		BR7HIX	7067
TSA 50		50	1	-		0.5	B6HS	4510		BR6HIX	3419
Tweet 50		50	1	2000-		0.6	BR7HS	4737		BR7HIX	7067
Tweet 50		50	1	2010-		0.7	CR6HSA	2983		CR6HIX	7274
V-Clic 50		50	1	2010-		0.6	CR7HSA	4549		CR7HIX	7544
V-Clic 50 Silversport		50	1	2007-		0.6	CR7HSA	4549		CR7HIX	7544

*Bitte Elektrodenabstand nach Angaben des Herstellers justieren

*Please adjust the ground electrode gap

*Veuillez vérifier l'écartement

* Por favor, ajustar la distancia entre los electrodos

*Regolare il gap

** Iridium IX Spark Plug is the standard recommendation





Stock No.

Quick No.

Upgrade ↑

Stock No. ↑

PEUGEOT

Velo 50 a moteur Count.	50	1	-		0.5	B8HS	5510		BR8HIX	7001
Vivacity 50	50	1	1999-		0.7	BR7HS	4737		BR7HIX	7067
Vivacity 50	50	1	2007-		0.6	CR7HSA	4549		CR7HIX	7544
Vivacity 50	50	1	2010-		0.7	CR7EKA	1462			
Vivacity 50	50	1	2011-		0.7	CR6HSA	2983		CR6HIX	7274
Vivacity 50 3 Sixties	50	1	2010-		0.7	BR7HS	4737		BR7HIX	7067
Vivacity 50 Compact	50	1	1999-		0.7	BR7HS	4737		BR7HIX	7067
Vivacity 50 Silversport	50	1	1999-		0.7	BR7HS	4737		BR7HIX	7067
Vivacity 50 Sportline	50	1	1999-		0.7	BR7HS	4737		BR7HIX	7067
VS-R 50	50	1	2010-		0.6	CR7HSA	4549		CR7HIX	7544
XP6 50 Supermotard	50	1	2000-		0.7	BR7HS	4737		BR7HIX	7067
XP6 50 Trail	50	1	1998-		0.6	BR9ES	5722		BR9EIX	3981
XPS 50 Enduro	50	1	2000-		0.7	BR7HS	4737		BR7HIX	7067
XPS 50 Supermotard	50	1	2000-		0.7	BR7HS	4737		BR7HIX	7067
XPS 50 Trail	50	1	2000-		0.7	BR7HS	4737		BR7HIX	7067
XR6 50 Multivitesses	50	1	1998-		0.6	BR9ES	5722		BR9EIX	3981
XR7 50	50	1	2001-		0.6	BR9ES	5722		BR9EIX	3981
X-Race 50	50	1	2010-		0.6	BR9ES	5722		BR9EIX	3981
Zenith 50	50	1	2003-		0.7	BR9ES	5722		BR9EIX	3981
Zenith 50 F.D.	50	1	-		0.5	B7HS	5110		BR7HIX	7067
Zenith 50 LM2	50	1	-1999		0.7	BR7HS	4737		BR7HIX	7067
Zenith 50 LN	50	1	-		0.6	B7HS	5110		BR7HIX	7067
Zenith 50 LS	50	1	-		0.6	B7HS	5110		BR7HIX	7067
Zenith 50 N	50	1	-		0.6	B7HS	5110		BR7HIX	7067
P51-53 100	80	1	-		0.5	BPR6HS	7022		BPR6HIX	4085
SV 80 L	80	1	1996-		0.5	BR8HS	4915	Q212	BR8HIX	7001
SX 80 PRO	80	1	-		0.6	B8HS	5510		BR8HIX	7001
55 C 125	100	1	1999-		0.7	BR8ES	5422	Q207	BR8EIX	5044
Elyséo 100	100	1	-		0.5	B6S	3510			
M 100 VivaCity	100	1	1998-2007		0.6	BR8ES	5422	Q207	BR8EIX	5044
Metal X 100	100	1	2001-		0.6	BR8ES	5422	Q207	BR8EIX	5044
M Looxor 100	100	1	1999-		0.7	BR8ES	5422	Q207	BR8EIX	5044
Speedfight 100	100	1	1999-		0.7	BR8ES	5422	Q207	BR8EIX	5044
Speedfight 100 2	100	1	2001-	Italy Air	0.6	BR8ES	5422	Q207	BR8EIX	5044
Speedfight 100 2 Victories	100	1	2000-		0.7	BR8ES	5422	Q207	BR8EIX	5044
Speedfight 100 Prost GP	100	1	1997-1999		0.7	BR8ES	5422	Q207	BR8EIX	5044
Speedfight 100 WRC 206	100	1	1997-1999		0.7	BR8ES	5422	Q207	BR8EIX	5044
SV 100	100	1	2006-		0.6	BR8ES	5422	Q207	BR8EIX	5044
SV 100 L	100	1	2006-		0.6	BR8ES	5422	Q207	BR8EIX	5044
TKR 100	100	1	1997-		0.6	BR8ES	5422	Q207	BR8EIX	5044
Trekker 100	100	1	-		0.6	BR8ES	5422	Q207	BR8EIX	5044
Vivacity 100	100	1	1997-		0.6	BR8ES	5422	Q207	BR8EIX	5044
550 125	125	1	-		0.5	B6HS	4510		BR6HIX	3419
55 D 125	125	1	-		0.5	B6HS	4510		BR6HIX	3419
Atlantis 125	125	1	-		0.5	B6HS	4510		BR6HIX	3419
Black Sat 125 Compressor	125	1	2006-		0.7	CR9EB	6955			
Citystar 125	125	1	2008-		0.7	CR9EB	6955			
Elyséo 125	125	1	2004-		0.7	CR7E	4578	Q225	CR7EIX	7385
Elyséo 125	125	1	2011-		0.7	CR8EB	7784			
Elyseo 125 Advantage	125	1	1999-		0.7	CR7E	4578	Q225	CR7EIX	7385

* Bitte Elektrodenabstand nach Angaben des Herstellers justieren

* Please adjust the ground electrode gap

* Veuillez vérifier l'écartement

* Por favor, ajustar la distancia entre los electrodos

* Regolare il gap

* Iridium IX Spark Plug is the standard recommendation





Stock No.

Quick No.

Upgrade ↑

Stock No. ↑

PEUGEOT

Elyséo 125 Advantage	125	1	1998-		0.7	CR8E	4854	Q226	CR8EIX	4218
Elystar 125	125	1	2004-		0.7	CR8E	4854	Q226	CR8EIX	4218
Elystar 125 Advantage	125	1	2002-		0.7	CR7EB	4663			
Elystar 125 Injection	125	1	2004-		0.7	CR7EB	4663			
F 125 Looxor	125	1	2005-2011		0.6	CR7EB	4663			
Geopolis 125	125	1	2008-		0.7	CR8EB	7784			
Geopolis 125 RS	125	1	2002-		0.7	CR7EB	4663			
Jet Force 125	125	1	2006-		0.6	CR9EB	6955			
Jet Force 125 Compressor	125	1	2003-		0.6	CR7EB	4663			
Jet Force 125 Compressor K	125	1	2005-		0.7	CR8EK	3478			
Liberty 125	125	1	2005-		0.7	CR8EKB	4374			
Looxor 125	125	1	2003-		0.6	CR7EB	4663			
Ludix 125	125	1	-		0.7	CR7EB	4663			
LXR 125	125	1	2004-		0.6	CR9EB	6955			
Satelis 125	125	1	2003-2008		0.7	CR9EB	6955			
Satelis 125	125	1	2008-		0.7	CR8EB	7784			
Satelis 125 Blacksats	125	1	2012-		0.7	CR8EB	7784			
Satelis 125 Compressor	125	1	2006-		0.6	CR9EB	6955			
Satelis 125 Compressor	125	1	2012-		0.7	CR9EB	6955			
Satelis 125 Executive	125	1	2012-		0.7	CR8EB	7784			
Satelis 125 GT Sport	125	1	2006-		0.6	CR9EB	6955			
Satelis 125 Roland Garros	125	1	2012-		0.7	CR8EB	7784			
Satelis 125 Withesats	125	1	2012-		0.7	CR8EB	7784			
Satelis RS 125	125	1	2009-		0.6	CR7E	4578	Q225	CR7EIX	7385
Sum Up 125	125	1	-2007		0.7	CR7HSA	4549		CR7HIX	7544
Sum Up 125	125	1	2008-2009		0.6	CR9EB	6955			
Sum Up 125	125	1	2012-		0.7	CR8EB	7784			
SV 125	125	1	2010-		0.7	CR7HSA	4549		CR7HIX	7544
SV 125 Metropolis	125	1	-		0.6	BP6HS	4511		BPR6HIX	4085
Tweet 125	125	1	-		0.6	BP6HS	4511		BPR6HIX	4085
Tweet 125 RS	125	1	2010-		0.7	CR7HSA	4549		CR7HIX	7544
Vivacity 125	125	1	2012-		0.8	CR7HSA	4549		CR7HIX	7544
Vivacity 125 Roland-Garros	125	1	2010-		0.7	CR7HSA	4549		CR7HIX	7544
Vivacity 125 Sixties	125	1	2012-		0.8	CR7HSA	4549		CR7HIX	7544
WTR 125	125	1	2012-		0.8	CR7HSA	4549		CR7HIX	7544
X 125 LC	125	1	2007-		0.7	CR9EB	6955			
XPS 125 CT	125	1	2006-2008		0.7	CR7HSA	4549		CR7HIX	7544
Elyséo 150	150	1	2001-		0.7	CR8E	4854	Q226	CR8EIX	4218
Elystar 150	150	1	2003-		0.7	CR7EB	4663			
Looxor 150	150	1	2003-	Italy	0.7	CR7EB	4663			
P 150	150	1	-		0.5	B6HS	4510		BR6HIX	3419
Tweet 150	150	1	2010-		0.7	CR7HSA	4549		CR7HIX	7544
P 155	155	1	-		0.5	B6HS	4510		BR6HIX	3419
P 156	155	1	-		0.5	B6HS	4510		BR6HIX	3419
176	175	1	-		0.5	B6HS	4510		BR6HIX	3419
176 BB	175	1	-		0.5	B6HS	4510		BR6HIX	3419
176 Grand Sport	175	1	-	Italy	0.5	B8ES	2411	Q201	BR8EIX	5044
176 TC	175	1	-		0.5	B6HS	4510		BR6HIX	3419
Citystar 200i	200	1	2012-		*	CR8EB	7784			
LXR 200	200	1	2009-		0.6	CR7E	4578	Q225	CR7EIX	7385

*Bitte Elektrodenabstand nach Angaben des Herstellers justieren

*Please adjust the ground electrode gap

*Veuillez vérifier l'écartement

* Por favor, ajustar la distancia entre los electrodos

*Regolare il gap

** Iridium IX Spark Plug is the standard recommendation





Stock No.

Quick No.

Upgrade ↑

Stock No. ↑

PEUGEOT

256		250	1	-		0.5	B7HS	5110		BR7HIX	7067
Elystar 250		250	1	2006-		0.7	PMR8B	6378			
Geopolis 250		250	1	2006-		0.7	PMR8B	6378			
Geopolis 250 Executive		250	1	2007-		0.6	CR9EB	6955			
Geopolis 250 RS		250	1	2008-		0.7	PMR8B	6378			
Satelis 250		250	1	2006-		0.7	PMR8B	6378			
Satelis 250		250	1	2007-		0.6	CR9EB	6955			
Satelis 250 RS		250	1	2008-		0.7	PMR8B	6378			
SV 250		250	1	2001-		0.9	DPR7EA-9	5129	Q220	DPR7EIX-9	7803
Geopolis 300		300	1	2010-		0.8	CR7EKB	4455			
Géopolis 300 RS		300	1	2012-		0.8	CR7EKB	4455			
Geopolis 400		400	1	2007-		0.8	CR7EKB	4455			
Geopolis 400 RS		400	1	2007-		0.8	CR7EKB	4455			
Metropolis 400i		400	1	2013-		0.9	CPR8EB-9	6607			
Metropolis 400i RS		400	1	2013-		0.9	CPR8EB-9	6607			
Satelis 400		400	1	2007-		0.8	CR7EKB	4455			
Satelis 400 Premium RS		400	1	2011-		0.8	CR7EKB	4455			
Satelis 400 RS		400	1	2008-		0.8	CR7EKB	4455			
Geopolis 500		500	1	2008-		0.8	CR7EKB	4455			
Satelis 500		500	1	2007-		0.8	CR7EKB	4455			
Satelis 500 RS		500	1	2007-		0.8	CR7EKB	4455			

PGO

Big Max 25		50	1	-		0.5	BPR7HS	6422		BPR7HIX	5944
Big Max 50		50	1	-		0.5	BPR7HS	6422		BPR7HIX	5944
Big Max Sport 50		50	1	1996-		0.6	BP7HS	5111		BPR7HIX	5944
Comet 50		50	1	-		0.6	BP7HS	5111		BPR7HIX	5944
Comet 50		50	1	1998-		0.6	BPR7HS	6422		BPR7HIX	5944
Galaxy 25		50	1	-		0.6	BP7HS	5111		BPR7HIX	5944
Galaxy 50		50	1	-		0.6	BP7HS	5111		BPR7HIX	5944
G-Max		50	1	2004-		0.6	BPR7HS	6422		BPR7HIX	5944
Libra 50		50	1	2008-		0.6	BPR7HS	6422		BPR7HIX	5944
Ligero 50		50	1	2008-		0.6	BPR7HS	6422		BPR7HIX	5944
Mega 50		50	1	1996-		0.5	BPR7HS	6422		BPR7HIX	5944
New Galaxy 50		50	1	-		0.6	BP6HS	4511		BPR6HIX	4085
PMS 50		50	1	1999-		0.6	BP7HS	5111		BPR7HIX	5944
PMX 50		50	1	1999-		0.6	BP7HS	5111		BPR7HIX	5944
PMX Naked 50		50	1	2007-		0.6	BPR7HS	6422		BPR7HIX	5944
PMX Sport 50		50	1	1998-		0.6	BPR7HS	6422		BPR7HIX	5944
Rodoshow		50	1	2000-		0.6	BP7HS	5111		BPR7HIX	5944
Rodoshow 50		50	1	1998-		0.6	BPR7HS	6422		BPR7HIX	5944
Star 2		50	1	-		0.6	BP7HS	5111		BPR7HIX	5944
Star 50		50	1	-		0.6	BP6HS	4511		BPR6HIX	4085
Super Comet 50		50	1	-		0.6	BP7HS	5111		BPR7HIX	5944
Tornado 50		50	1	1997-		0.5	BPR7HS	6422		BPR7HIX	5944
TR3		50	1	-		0.5	BP7HS	5111		BPR7HIX	5944
TR3-50		50	1	-		0.5	BP7HS	5111		BPR7HIX	5944
T-Rex 50		50	1	1998-		0.6	BPR7HS	6422		BPR7HIX	5944
T-REX 50		50	1	1999-		0.6	BP7HS	5111		BPR7HIX	5944
Star 80		80	1	-		0.6	BP6HS	4511		BPR6HIX	4085
Big Max 90		82	1	1996-		0.5	BPR7HS	6422		BPR7HIX	5944
Galaxy 90		90	1	-		0.6	BPR7HS	6422		BPR7HIX	5944

*Bitte Elektrodenabstand nach Angaben des Herstellers justieren

*Please adjust the ground electrode gap

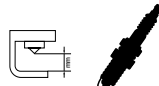
*Veuillez vérifier l'écartement

* Por favor, ajustar la distancia entre los electrodos

*Regolare il gap

* Iridium IX Spark Plug is the standard recommendation





Stock No.

Quick No.

Upgrade ↑

Stock No. ↑

PGO

G-Max 125		125	1	2005-		0.7	C7HSA	4629		CR7HIX	7544
G-Max 125		125	1	2005-		0.6	CR7HSA	4549		CR7HIX	7544
Libra 125		125	1	2008-		0.6	C7HSA	4629		CR7HIX	7544
Ligero 125		125	1	2008-		0.6	C7HSA	4629		CR7HIX	7544
Tornado 1.25		125	1	1997-		0.5	BPR7HS	6422		BPR7HIX	5944
T-REX 125 2T		125	1	1999-		0.6	BP7HS	5111		BPR7HIX	5944
T-REX 125 4T		125	1	1999-		0.6	C7HSA	4629		CR7HIX	7544
T-REX 150 4T		150	1	2003-		0.6	C7HSA	4629		CR7HIX	7544
G-Max 250		250	1	2005-2007		0.7	DPR7EA-9	5129	Q220	DPR7EIX-9	7803

PIAGGIO

Free 25 Mofa		25	1	-		0.5	BP8ES	2912		BPR8EIX	6684
Zip 25 Mofa		25	1	-		0.5	BPR8ES	5170	Q213	BPR8EIX	6684
Zip Base 25		25	1	-		0.5	BPR8ES	5170	Q213	BPR8EIX	6684
Zip Base 25 Mofa		25	1	-		0.5	BPR8ES	5170	Q213	BPR8EIX	6684
50 R		50	1	-		0.5	B6HS	4510		BR6HIX	3419
50 R Special		50	1	-		0.5	B6HS	4510		BR6HIX	3419
50 S		50	1	-		0.5	B6HS	4510		BR6HIX	3419
APE 50		50	1	1996-1999	TL9T	*	B6HS	4510		BR6HIX	3419
Boss 50		50	1	-		0.5	B6HS	4510		BR6HIX	3419
Bravo 50 P		50	1	-		0.7	BR6HS	4200		BR6HIX	3419
Bravo 50 PV		50	1	-		0.7	BR6HS	4200		BR6HIX	3419
Bravo 50 PVRI		50	1	-		0.5	B8HS	5510		BR8HIX	7001
Bravo Si 50		50	1	-		0.5	B5HS	4210			
Ciao 50 Mix		50	1	-		0.5	B5HS	4210			
Ciao 50 M Kat		50	1	-		0.7	BR6HS	4200		BR6HIX	3419
Ciao 50 V Kat		50	1	-		0.7	BR6HS	4200		BR6HIX	3419
Ciao-Bravo 50 SI		50	1	-		0.5	B5HS	4210			
Diesis 50		50	1	-		0.7	BR9ES	5722		BR9EIX	3981
Eaglet 50		50	1	-		0.5	B9ES	2611	Q202	BR9EIX	3981
ET2 50		50	1	1998-		0.6	BR9ES	5722		BR9EIX	3981
ET2i 50		50	1	1998-		0.6	DCPR9EIX**	2316			
ET4 50		50	1	-		0.7	CR9EB	6955			
Fly 4 50		50	1	2009-		*	ER9EHIX**	96652			
Fly 50		50	1	2006-		0.7	PMR7A	4259			
Fly 50		50	1	2006-		0.6	BR9ES	5722		BR9EIX	3981
Fly 50	RP8C521	50	1	2012-2013		0.7	ER9EH-N	95748			
Fly 50 2V		50	1	2006-2013	10mm Thread Size / 19mm Thread Reach	0.8	CR8EB	7784			
Fly 50 4V		50	1	2014-	Ø8mm Thread Size / 19.0(12.7)mm Thread Reach	0.6	ER9EH-6N	1673			
Free 50		50	1	1993-		0.5	B9ES	2611	Q202	BR9EIX	3981
Free 50 Business		50	1	1996-		0.6	B9ES	2611	Q202	BR9EIX	3981
Free 50 Kat		50	1	-		0.7	BR9ES	5722		BR9EIX	3981
Grillo 50		50	1	-		0.5	B5HS	4210			
Grillo 50 Mofa		50	1	-		0.5	B5HS	4210			
Liberty 50		50	1	1997-1998		0.6	B9ES	2611	Q202	BR9EIX	3981
Liberty 50		50	1	1999-		0.5	BR9ES	5722		BR9EIX	3981
Liberty 50		50	1	2002-2005		0.8	CR9EB	6955			
Liberty 50		50	1	2006-		0.7	PMR7A	4259			
Liberty 50	RP8CA11	50	1	2017-		0.8	MR8BI-8	91360			
Liberty 50	RP8CA12	50	1	2017-		0.8	MR8BI-8	91360			
Liberty 50 Kat		50	1	-		0.7	BR9ES	5722		BR9EIX	3981

* Bitte Elektrodenabstand nach Angaben des Herstellers justieren

* Please adjust the ground electrode gap

* Veuillez vérifier l'écartement

* Por favor, ajustar la distancia entre los electrodos

* Regolare il gap

** Iridium IX Spark Plug is the standard recommendation





Stock No.

Quick No.

Upgrade ↑

Stock No. ↑

PIAGGIO

LX 50		50	1	2006-		0.7	BR9ES	5722		BR9EIX	3981
LX 50		50	1	2006-		0.8	CR8EB	7784			
LX 50		50	1	2009-2013		0.7	ER9EH-N	95748			
NRG 50		50	1	-		0.5	B9ES	2611	Q202	BR9EIX	3981
NRG 50		50	1	1994-		0.6	B9ES	2611	Q202	BR9EIX	3981
NRG 50 Extreme		50	1	-		0.5	B9ES	2611	Q202	BR9EIX	3981
NRG 50 Extreme Kat		50	1	-		0.5	B9ES	2611	Q202	BR9EIX	3981
NRG 50 H ² O Kat		50	1	-	Water fluid	0.5	B9ES	2611	Q202	BR9EIX	3981
NRG 50 MC2		50	1	-2000		0.5	B9ES	2611	Q202	BR9EIX	3981
NRG 50 MC2		50	1	1996-		0.6	B9EG	3530			
NRG 50 MC2 DD		50	1	-		0.5	B9ES	2611	Q202	BR9EIX	3981
NRG 50 MC2 DT		50	1	-		0.5	B9ES	2611	Q202	BR9EIX	3981
NRG 50 MC3		50	1	2001-		0.5	B9ES	2611	Q202	BR9EIX	3981
NRG 50 MC3		50	1	2002-2005		0.6	CPR8E	7411			
NRG 50 MC3		50	1	2006-		0.6	ZMR7AP	6914			
NRG 50 MC3 Pure Jet		50	1	2002-2005		0.6	CPR8E	7411			
NRG 50 Power DD		50	1	-		*	BR9ES	5722		BR9EIX	3981
NRG 50 Power DT Purejet		50	1	2005-		0.6	CPR8E	7411			
NSP 50 Aria		50	1	2002-		0.8	CR9EB	6955			
NTT 50		50	1	1995-		0.6	B9ES	2611	Q202	BR9EIX	3981
PK 50 S Auto		50	1	-		0.5	BR7ES	5122		BR7EIX	6664
PK 50 SS		50	1	-		0.5	B7HS	5110		BR7HIX	7067
PK 50 XL 2		50	1	-		0.5	B7HS	5110		BR7HIX	7067
PK 50 XL 2		50	1	-		0.6	BR7HS	4737		BR7HIX	7067
PK 50 XL2 Auto		50	1	-		0.5	B8ES	2411	Q201	BR8EIX	5044
Plurimatic 50		50	1	-		0.5	B6HS	4510		BR6HIX	3419
PX 50		50	1	-		0.5	B6HS	4510		BR6HIX	3419
Quartz		50	1	1993-		0.5	BR9ES	5722		BR9EIX	3981
Quarz 50		50	1	1992-		0.5	B9ES	2611	Q202	BR9EIX	3981
Quarz 50		50	1	1992-		0.6	B9ES	2611	Q202	BR9EIX	3981
Rush 50		50	1	-		0.6	BR7HS	4737		BR7HIX	7067
Sfera 50		50	1	-		0.5	B9ES	2611	Q202	BR9EIX	3981
Sfera 50 FL		50	1	-		0.5	B9ES	2611	Q202	BR9EIX	3981
Sfera 50 R		50	1	-		0.6	B9ES	2611	Q202	BR9EIX	3981
Sfera 50 RL		50	1	-		0.5	B9ES	2611	Q202	BR9EIX	3981
Sfera 50 RST		50	1	-		0.5	B9ES	2611	Q202	BR9EIX	3981
Skipper 50		50	1	-		0.6	BR9ES	5722		BR9EIX	3981
Storm 50		50	1	1994-		0.5	B9ES	2611	Q202	BR9EIX	3981
Super Bravo 50		50	1	-		0.5	B5HS	4210			
Super Bravo 50 Mofa		50	1	-		0.5	B5HS	4210			
TPH 50		50	1	1993-		0.5	B9ES	2611	Q202	BR9EIX	3981
Typhone 50 E3		50	1	2011-		0.7	BR9ES	5722		BR9EIX	3981
Typhoon 50		50	1	2011-		0.7	CR7EB	4663			
Typhoon 50 Air		50	1	1996-		0.7	BR9ES	5722		BR9EIX	3981
Typhoon 50 X		50	1	1993-		0.5	B9ES	2611	Q202	BR9EIX	3981
Typhoon 50 X		50	1	1996-		0.7	BR9ES	5722		BR9EIX	3981
Typhoon 50 XR		50	1	1993-		0.5	B9ES	2611	Q202	BR9EIX	3981
Velofax		50	1	1993-		0.5	BR9ES	5722		BR9EIX	3981
Velofax 50		50	1	-		0.6	BP8ES	2912		BPR8EIX	6684
Velofax 50		50	1	1995-		0.5	B8ES	2411	Q201	BR8EIX	5044
Velofax 50 AE		50	1	1995-		0.5	B8ES	2411	Q201	BR8EIX	5044
Velofax 50 L		50	1	-		0.5	B9ES	2611	Q202	BR9EIX	3981

*Bitte Elektrodenabstand nach Angaben des Herstellers justieren

*Please adjust the ground electrode gap

*Veuillez vérifier l'écartement

* Por favor, ajustar la distancia entre los electrodos

*Regolare il gap

* Iridium IX Spark Plug is the standard recommendation





Stock No.

Quick No.

Upgrade ↑

Stock No. ↑

PIAGGIO

Velofax 50 M		50	1	-		0.5	B9ES	2611	Q202	BR9EIX	3981
Velofax 50 Mofa		50	1	-		0.6	BP8ES	2912		BPR8EIX	6684
Velofax 50 S		50	1	-		0.5	B9ES	2611	Q202	BR9EIX	3981
Vespa 50 4 vit.		50	1	-		0.5	B8HS	5510		BR8HIX	7001
Vespa 50 A		50	1	-		0.5	B7ES	1111		BR7EIX	6664
Vespa 50 Delta		50	1	-		0.5	B7HS	5110		BR7HIX	7067
Vespa 50 Elestart		50	1	-		0.5	B6HS	4510		BR6HIX	3419
Vespa 50 ET2 IE		50	1	-		*	DCPR9EIX**	2316			
Vespa 50 ET3 Primavera		50	1	-		0.6	BR7HS	4737		BR7HIX	7067
Vespa 50 ET4		50	1	2002-2005		0.8	CR9EB	6955			
Vespa 50 ET4		50	1	2006-		0.7	PMR7A	4259			
Vespa 50 HP 4M		50	1	-		0.5	B6HS	4510		BR6HIX	3419
Vespa 50 HP 4M		50	1	1993-		0.5	B7HS	5110		BR7HIX	7067
Vespa 50 LX		50	1	-		0.7	BR9ES	5722		BR9EIX	3981
Vespa 50 LX		50	1	2006-		0.7	PMR7A	4259			
Vespa 50 LX 4V		50	1	2010-		0.6	ER9EH-6N	1673			
Vespa 50 LXV		50	1	-		0.6	BR9ES	5722		BR9EIX	3981
Vespa 50 PK XL 2		50	1	-		0.5	B8ES	2411	Q201	BR8EIX	5044
Vespa 50 Primavera	C53100	50	1	2013-2017		0.7	ER9EH-N	95748			
Vespa 50 Primavera	CA0100	50	1	2017-		0.8	MR8BI-8	91360			
Vespa 50 Primavera	CA0200	50	1	2017-		0.8	MR8BI-8	91360			
Vespa 50 Puch Condor		50	1	-		0.5	B7HS	5110		BR7HIX	7067
Vespa 50 R		50	1	-		0.5	B6HS	4510		BR6HIX	3419
Vespa 50 S		50	1	-		0.5	B6HS	4510		BR6HIX	3419
Vespa 50 S		50	1	2008-		0.6	BR9ES	5722		BR9EIX	3981
Vespa 50 S	M38600	50	1	2008-2012		0.7	ER9EH-N	95748			
Vespa 50 Special		50	1	-		0.5	B6HS	4510		BR6HIX	3419
Vespa 50 Vale Especial		50	1	-		0.5	B5HS	4210			
Vespa 50 Vale Spécial		50	1	-		0.5	B5HS	4210			
Vespa 50 Vale Standard		50	1	-		0.5	B5HS	4210			
Vespa Sprint 50	C53101	50	1	2014-2017		0.7	ER9EH-N	95748			
Vespa Sprint 50	CA0201	50	1	2017-		0.8	MR8BI-8	91360			
Vespa Sprint 50	CA0101	50	1	2017-		0.8	MR8BI-8	91360			
Vespino 50		50	1	-		0.6	BR7HS	4737		BR7HIX	7067
Vespino 50 AL		50	1	-		0.5	B7HS	5110		BR7HIX	7067
Vespino 50 ALX		50	1	-		0.5	B7HS	5110		BR7HIX	7067
Vespino 50 GL		50	1	-		0.5	B7HS	5110		BR7HIX	7067
Vespino 50 GN		50	1	-		0.5	B7HS	5110		BR7HIX	7067
Vespino 50 GS		50	1	-		0.5	B7HS	5110		BR7HIX	7067
Vespino 50 NL		50	1	-		0.5	B7HS	5110		BR7HIX	7067
Vespino 50 NX		50	1	-		0.6	BR7HS	4737		BR7HIX	7067
Vespino 50 SC		50	1	-		0.6	BR7HS	4737		BR7HIX	7067
Vespino 50 T		50	1	-		0.6	BR7HS	4737		BR7HIX	7067
Vespino 50 TL		50	1	-		0.6	BR7HS	4737		BR7HIX	7067
Vespino 50 TN		50	1	-		0.6	BR7HS	4737		BR7HIX	7067
Vespino 50 TS		50	1	-		0.6	BR7HS	4737		BR7HIX	7067
Vespino 50 TX		50	1	-		0.6	BR7HS	4737		BR7HIX	7067
Vespino 50 XE		50	1	-		0.6	BR7HS	4737		BR7HIX	7067
Zip		50	1	1993-		0.5	BR9ES	5722		BR9EIX	3981
Zip & Zip 50		50	1	1994-		0.6	B9ES	2611	Q202	BR9EIX	3981
Zip & Zip 50		50	1	1994-		0.5	B9ES	2611	Q202	BR9EIX	3981

* Bitte Elektrodenabstand nach Angaben des Herstellers justieren

* Please adjust the ground electrode gap

* Veuillez vérifier l'écartement

* Por favor, ajustar la distancia entre los electrodos

* Regolare il gap

** Iridium IX Spark Plug is the standard recommendation





Stock No.

Quick No.

Upgrade ↑

Stock No. ↑

PIAGGIO

Zip 4 50		50	1	-		0.6	CR7E	4578	Q225	CR7EIX	7385
Zip 50		50	1	1992-		0.6	B9ES	2611	Q202	BR9EIX	3981
Zip 50		50	1	1993-		0.7	BR9ES	5722		BR9EIX	3981
Zip 50		50	1	2002-		0.7	CR8EB	7784			
Zip 50		50	1	2006-		0.7	PMR7A	4259			
ZIP 50		50	1	2018-		0.8	MR8BI-8	91360			
Zip 50 Air		50	1	1996-	Air	0.7	BR9ES	5722		BR9EIX	3981
Zip 50 Aria		50	1	2002-		0.8	CR9EB	6955			
Zip 50 Base		50	1	-		0.5	B9ES	2611	Q202	BR9EIX	3981
ZIP 50 Eau		50	1	1996-		0.7	B10ES	7928		BR10EIX	6801
Zip 50 Fast Rider		50	1	1992-1999		0.6	B9ES	2611	Q202	BR9EIX	3981
Zip 50 Kat		50	1	-		0.5	BPR8ES	5170	Q213	BPR8EIX	6684
Zip 50 RST		50	1	-		0.6	B9ES	2611	Q202	BR9EIX	3981
Zip 50 SP		50	1	-		0.5	B9EG	3530			
Zip 50 SP		50	1	1996-		0.6	B9ES	2611	Q202	BR9EIX	3981
Zip 50 Water		50	1	1996-	Water fluid	0.7	B10ES	7928		BR10EIX	6801
Zip SP		50	1	1993-		0.5	BR9ES	5722		BR9EIX	3981
SKR 50 City		75	1	-		0.6	BR9ES	5722		BR9EIX	3981
Vespa 75 PK S		75	1	-		0.5	B7HS	5110		BR7HIX	7067
Vespa 75 PK S Elestart		75	1	-		0.5	B7HS	5110		BR7HIX	7067
Vespa 75 PK S Junior		75	1	-		0.5	B7HS	5110		BR7HIX	7067
Vespa 75 PK S Primavera		75	1	-		0.5	B7HS	5110		BR7HIX	7067
Vespa 75 PK T3 Prima		75	1	-		0.5	B7HS	5110		BR7HIX	7067
Vespa 75 PK XL		75	1	-		0.6	B9ES	2611	Q202	BR9EIX	3981
Vespa 75 PK XL Elestart		75	1	-		0.6	B9ES	2611	Q202	BR9EIX	3981
PX 80 E		80	1	-		0.5	B6ES	7310			
PX 80 E Lusso		80	1	-		0.5	B6ES	7310			
PX 80 P		80	1	-		0.5	B6ES	7310			
PX 80 X		80	1	-		0.5	B6ES	7310			
Sfera 80		80	1	-		0.5	B9ES	2611	Q202	BR9EIX	3981
Sfera 80		80	1	1993-1998		0.5	BR9ES	5722		BR9EIX	3981
Sfera 80 RST		80	1	-		0.5	B9ES	2611	Q202	BR9EIX	3981
Skipper 80		80	1	-		0.6	B9ES	2611	Q202	BR9EIX	3981
TPH 80		80	1	1994-		0.5	B9ES	2611	Q202	BR9EIX	3981
Typhoon 80		80	1	-		0.6	BR9ES	5722		BR9EIX	3981
Diesis 100		100	1	2001-		0.6	CR8EB	7784			
Diesis 100		100	1	2002-2003		0.6	BR9ES	5722		BR9EIX	3981
Fly 100		100	1	2006-		0.7	CR9EB	6955			
Free 100		100	1	2002-		0.6	CR8EB	7784			
Zip 100		100	1	2006-		0.7	CR9EB	6955			
Ape 125		125	1	-		0.5	B7HS	5110		BR7HIX	7067
Ape 125		125	1	-		0.7	BR7HS	4737		BR7HIX	7067
Beverly 125		125	1	2002-		0.8	CR8EB	7784			
Beverly 125 GT		125	1	2002-		0.8	CR8EB	7784			
Beverly 125 Light		125	1	2002-		0.8	CR8EB	7784			
Carnaby 125		125	1	2007-		0.6	CR8EB	7784			
Cosa 200 FL EBC		125	1	-	12hp	0.5	B8ES	2411	Q201	BR8EIX	5044
ET 3 125		125	1	-		0.6	BR7HS	4737		BR7HIX	7067
ET 4 125		125	1	-		0.8	CR7EB	4663			
Fly 125		125	1	2005-		0.8	CR7EB	4663			
Fly 125 3V		125	1	2014-		0.7	CR8EB	7784			

* Bitte Elektrodenabstand nach Angaben des Herstellers justieren

* Please adjust the ground electrode gap

* Veuillez vérifier l'écartement

* Por favor, ajustar la distancia entre los electrodos

* Regolare il gap

* Iridium IX Spark Plug is the standard recommendation





Stock No.

Quick No.

Upgrade ↑

Stock No. ↑

PIAGGIO

Fly 125 E3		125	1	-		0.6	CR7EKB	4455			
GTS 125 Super		125	1	2007-		0.8	CR8EB	7784			
Hexagon 125		125	1	1994-1998		0.5	BR9ES	5722		BR9EIX	3981
Hexagon 125 GTX		125	1	2000-2002		0.7	CR9EB	6955			
Hexagon 125 LX		125	1	1994-		0.5	B9ES	2611	Q202	BR9EIX	3981
Hexagon 125 LX		125	1	1998-2000		0.6	BR9ES	5722		BR9EIX	3981
Hexagon 125 LX 2V Air		125	1	-	Air	0.8	CR7EB	4663			
Hexagon 125 LX 4V H2O		125	1	-	Water fluid	0.6	CR8EB	7784			
L 125 Granturismo		125	1	2004-		0.7	CR9EB	6955			
Liberty 125		125	1	1998-2000		0.6	CR7E	4578	Q225	CR7EIX	7385
Liberty 125		125	1	2002-		0.8	CR7EB	4663			
Liberty 125 E3		125	1	-		0.6	CR7EKB	4455			
Liberty 125 Leader		125	1	2001-		0.7	CR9EB	6955			
Liberty 125 S E3		125	1	-		0.6	CR7EKB	4455			
LX 125 Super		125	1	2000-		0.7	CR9EB	6955			
LX 2 125		125	1	1997-		0.5	B9ES	2611	Q202	BR9EIX	3981
LX 4 125		125	1	1998-2000		0.6	CR7E	4578	Q225	CR7EIX	7385
Medley 125	MA0120	125	1	2016-	12hp	0.7	LMAR8EI-7	92499			
MP3 125		125	1	2006-		0.6	CR8EB	7784			
MP3 125 Hybrid		125	1	2009-		0.6	CR8EB	7784			
MP3 125 i.e.		125	1	2006-		0.6	CR8EB	7784			
MP3 125 RL		125	1	2006-		0.6	CR8EB	7784			
P 125 X		125	1	-		0.5	B6HS	4510		BR6HIX	3419
PK 125		125	1	-	UK	0.5	B6HS	4510		BR6HIX	3419
PK 125		125	1	-		0.5	BR6HS	4200		BR6HIX	3419
PK 125 E		125	1	-		0.5	BR6HS	4200		BR6HIX	3419
PK 125 S		125	1	-		0.5	BR6HS	4200		BR6HIX	3419
PK 125 XL		125	1	-		0.6	BR7HS	4737		BR7HIX	7067
PK 125 XL 2		125	1	-		0.5	B8ES	2411	Q201	BR8EIX	5044
PK Automatic		125	1	-		0.5	B7HS	5110		BR7HIX	7067
Primavera 125		125	1	-		0.5	B6HS	4510		BR6HIX	3419
Primavera ET3		125	1	-		0.5	B7HS	5110		BR7HIX	7067
Runner 125		125	1	2002-		0.6	CR8EB	7784			
Sfera 125		125	1	1995-		0.6	CR9E	6263	Q227	CR9EIX	3521
Sfera 125 RL		125	1	-		0.6	CR9E	6263	Q227	CR9EIX	3521
Sfera 125 RST		125	1	1995-		0.6	CR7E	4578	Q225	CR7EIX	7385
Skipper 125		125	1	2000-		0.8	CR7EB	4663			
Skipper 125 LX		125	1	1993-		0.6	B9ES	2611	Q202	BR9EIX	3981
SKR 125		125	1	1993-		0.5	B9ES	2611	Q202	BR9EIX	3981
Sphera 125		125	1	1995-1999		0.6	CR9E	6263	Q227	CR9EIX	3521
Sphera 125 Air		125	1	2000-		0.6	CR8EB	7784			
ST 125 Skipper Leader		125	1	2000-		0.7	CR9EB	6955			
Super Hexagon 125 GTX		125	1	2001-		0.6	CR8EB	7784			
Tourer 125		125	1	2002-		0.8	CR8EB	7784			
TPH 125		125	1	1995-		0.5	B9ES	2611	Q202	BR9EIX	3981
Typhoon 125		125	1	1995-2003		0.5	B9ES	2611	Q202	BR9EIX	3981
Typhoon 125		125	1	2010-		0.8	CR7EB	4663			
Vespa 125 946		125	1	2013-		0.6	CR8EB	7784			
Vespa 125 CL		125	1	-		0.5	B6HS	4510		BR6HIX	3419
Vespa 125 ET4		125	1	1996-		0.7	CR8EB	7784			
Vespa 125 ET4		125	1	1999-		0.8	CR7EB	4663			

*Bitte Elektrodenabstand nach Angaben des Herstellers justieren

*Please adjust the ground electrode gap

*Veuillez vérifier l'écartement

* Por favor, ajustar la distancia entre los electrodos

*Regolare il gap

** Iridium IX Spark Plug is the standard recommendation





Stock No.

Quick No.

Upgrade ↑

Stock No. ↑

PIAGGIO

Vespa 125 Gandturi-ismo		125	1	-2004		0.6	CR9EB	6955			
Vespa 125 GT		125	1	2003-		0.6	CR8EB	7784			
Vespa 125 GTS	M31300/M45300	125	1	2007-2016		0.7	CR8EKB	4374			
Vespa 125 GTS	MA3100/MA31200	125	1	2016-	12hp	0.7	LMAR8E1-7	92499			
Vespa 125 GTS Super i.e.		125	1	2010-		0.7	CR8EKB	4374			
Vespa 125 GTV		125	1	-		0.6	CR8EB	7784			
Vespa 125 Leader ET 4		125	1	2000-		0.7	CR9EB	6955			
Vespa 125 LS		125	1	-		0.5	B6HS	4510		BR6HIX	3419
Vespa 125 LX		125	1	2005-		0.8	CR7EB	4663			
Vespa 125 LX		125	1	2012-		0.6	CR8EB	7784			
Vespa 125 LX 3V		125	1	2012-		0.7	CR8EB	7784			
Vespa 125 LX i.e.		125	1	2009-		0.7	CR8EB	7784			
Vespa 125 LXV		125	1	-		0.8	CR7EB	4663			
Vespa 125 NK Primavera		125	1	-		0.5	B6HS	4510		BR6HIX	3419
Vespa 125 PK S Elestart		125	1	-		0.5	B6HS	4510		BR6HIX	3419
Vespa 125 PK XL Elestart		125	1	-		0.6	B7ES	1111		BR7EIX	6664
Vespa 125 PX E		125	1	-		0.6	B6HS	4510		BR6HIX	3419
Vespa 125 PX E Iris		125	1	-		0.6	B6HS	4510		BR6HIX	3419
Vespa 125 PX Kat		125	1	-		0.6	BR7HS	4737		BR7HIX	7067
Vespa 125 S		125	1	2008-		0.8	CR7EB	4663			
Vespa 125 S		125	1	2012-		0.6	CR8EB	7784			
Vespa 125 S 3V		125	1	2012-		0.7	CR8EB	7784			
Vespa 125 S i.e.		125	1	2008-		0.8	CR7EB	4663			
Vespa 125 Special ET3 Primavera		125	1	-		0.6	B7HS	5110		BR7HIX	7067
Vespa 125 Special ET4 Carburatore		125	1	-		0.6	CR8EB	7784			
Vespa 125 T3		125	1	-		0.5	B6HS	4510		BR6HIX	3419
Vespa 125 T3Li		125	1	-		0.5	B6HS	4510		BR6HIX	3419
Vespa 125 T5 Elestart		125	1	-		0.6	B9ES	2611	Q202	BR9EIX	3981
Vespa 125 T5 Sport		125	1	-		0.6	B9ES	2611	Q202	BR9EIX	3981
Vespa 125 T5 Sport Elestart		125	1	-		0.6	B9ES	2611	Q202	BR9EIX	3981
Vespa 125 XL Elestart		125	1	-		0.6	B7HS	5110		BR7HIX	7067
Vespa 125 XL Plurimat		125	1	-		0.6	B7HS	5110		BR7HIX	7067
X10 125		125	1	2012-		0.6	CR8EB	7784			
X 125 EVO		125	1	2006-		0.6	CR8EB	7784			
X7 125		125	1	2007-		0.8	CR8EB	7784			
X7 125 EVO i.e.		125	1	2007-		0.7	CR8EKB	4374			
X8 125		125	1	2004-		0.6	CR8EB	7784			
X8 125 Street		125	1	-		0.8	CR7EB	4663			
X9 125		125	1	2000-2002	15hp	0.6	CR9EB	6955			
X9 125		125	1	2002-	15hp	0.6	CR8EB	7784			
Xevo 125		125	1	2007-		0.7	CR8EB	7784			
XR 125 Typhoon		125	1	-		0.5	B9ES	2611	Q202	BR9EIX	3981
Zip 125		125	1	-		0.7	CR7EB	4663			
Zip 125		125	1	-		0.6	CR9EB	6955			
ZIP 125 New Edge Leader		125	1	2000-		0.7	CR9EB	6955			
ZIP 125 New Edge Leader		125	1	2001-		0.6	B9ES	2611	Q202	BR9EIX	3981
Cosa 150		150	1	-		0.6	BR9ES	5722		BR9EIX	3981

*Bitte Elektrodenabstand nach Angaben des Herstellers justieren

*Please adjust the ground electrode gap

*Veuillez vérifier l'écartement

* Por favor, ajustar la distancia entre los electrodos

*Regolare il gap

* Iridium IX Spark Plug is the standard recommendation





Stock No.

Quick No.

Upgrade ↑

Stock No. ↑

PIAGGIO

EX 150 Hexagon		150	1	1994-		0.5	B9ES	2611	Q202	BR9EIX	3981
Fly 150		150	1	2008-		0.8	CR7EB	4663			
Hexagon 150		150	1	1994-		0.6	B9ES	2611	Q202	BR9EIX	3981
Liberty 150		150	1	2002-		0.8	CR7EB	4663			
Medley 150	MA0220	150	1	2016-	15hp	0.7	LMAR8EI-7	92499			
Piaggio 150		150	1	-		0.5	B9ES	2611	Q202	BR9EIX	3981
Skipper 150		150	1	1993-		0.6	B9ES	2611	Q202	BR9EIX	3981
Skipper 150 ST		150	1	-2000		0.7	BR9ES	5722		BR9EIX	3981
Skipper 150 ST		150	1	2001-		0.8	CR7EB	4663			
SKR 150		150	1	1998-		0.5	B9ES	2611	Q202	BR9EIX	3981
Vespa 150		150	1	-	14mm Thread Size / 19mm Thread Reach	0.5	B6ES	7310			
Vespa 150		150	1	-	14mm Thread Size / 12,7mm Thread Reach	0.5	B6HS	4510		BR6HIX	3419
Vespa 150 ET4		150	1	-2001		0.6	CR7E	4578	Q225	CR7EIX	7385
Vespa 150 ET4		150	1	2001-2002		0.6	CR8EB	7784			
Vespa 150 ET4		150	1	2002-		0.8	CR7EB	4663			
Vespa 150 GTS	MA3100/ MA31200	150	1	2016-		0.7	LMAR8EI-7	92499			
Vespa 150 LX		150	1	2008-2011		0.8	CR7EB	4663			
Vespa 150 LX i.e.		150	1	2009-		0.8	CR7EB	4663			
Vespa 150 LXV		150	1	-		0.8	CR7EB	4663			
Vespa 150 PX Kat		150	1	-		0.7	BR6HS	4200		BR6HIX	3419
Vespa 150 PX MA AE		150	1	1996-		0.6	B6HS	4510		BR6HIX	3419
Vespa 150 S		150	1	-		0.8	CR7EB	4663			
Vespa 150 S i.e.		150	1	2008-2011		0.8	CR7EB	4663			
X8 150 Street		150	1	-		0.8	CR7EB	4663			
Vespa 160		160	1	-		0.5	B6HS	4510		BR6HIX	3419
Vespa 160 GT		160	1	-		0.5	B6HS	4510		BR6HIX	3419
Vespa 175		175	1	-		0.5	B6HS	4510		BR6HIX	3419
Hexagon 180 LXT		180	1	1998-2000		0.6	B9ES	2611	Q202	BR9EIX	3981
Super Hexagon 180 LXT		180	1	2001-		0.6	CR8EB	7784			
Vespa 180 SS		180	1	-		0.5	B8ES	2411	Q201	BR8EIX	5044
X9 180 Amalfi		180	1	2001-		0.6	CR8EB	7784			
Ape 190		190	1	-		0.5	B7HS	5110		BR7HIX	7067
Ape 190		190	1	-		0.7	BR7HS	4737		BR7HIX	7067
Beverly 200		200	1	2001-		0.6	CR8EB	7784			
Beverly 200		200	1	2002-		0.6	CR8EB	7784			
Carnaby 200		200	1	2007-		0.6	CR8EB	7784			
Cosa 200		200	1	-	UK	0.5	B6ES	7310			
Cosa 200		200	1	-	FR	0.5	B8ES	2411	Q201	BR8EIX	5044
Cosa 200		200	1	1993-1997	12hp	0.6	BR8ES	5422	Q207	BR8EIX	5044
Cosa 200 MA AE		200	1	-		0.6	BR8ES	5422	Q207	BR8EIX	5044
Cosa P200E		200	1	-		0.5	B6ES	7310			
DN 200		200	1	-		0.5	BR7ES	5122		BR7EIX	6664
DS 200		200	1	-		0.5	BR7ES	5122		BR7EIX	6664
Leader 200 LXT		200	1	2000-		0.7	CR9EB	6955			
Liberty 200		200	1	2004-		0.8	CR7EB	4663			
PE 200		200	1	-		0.5	BR7ES	5122		BR7EIX	6664
Vespa 200 DN		200	1	-		0.5	B5ES	6410			
Vespa 200 DS		200	1	-		0.5	B5ES	6410			
Vespa 200 E		200	1	-		0.5	B5ES	6410			

*Bitte Elektrodenabstand nach Angaben des Herstellers justieren

*Please adjust the ground electrode gap

*Veuillez vérifier l'écartement

* Por favor, ajustar la distancia entre los electrodos

*Regolare il gap

** Iridium IX Spark Plug is the standard recommendation





Stock No.

Quick No.

Upgrade ↑

Stock No. ↑

PIAGGIO

Vespa 200 Granturimo L		200	1	-		0.6	CR7EKB	4455			
Vespa 200 PX E		200	1	-		0.6	B7ES	1111		BR7EIX	6664
Vespa 200 PX E Disc		200	1	1998-		0.6	BR6ES	4922			
Vespa 200 PX Iris		200	1	-		0.6	B7ES	1111		BR7EIX	6664
Vespa 200 PX Iris Elestart		200	1	-		0.6	B7ES	1111		BR7EIX	6664
Vespa 200 PX MA AE		200	1	1996-		0.6	B6ES	7310			
Vespa 200 Rally		200	1	-		0.5	BR7ES	5122		BR7EIX	6664
Vespa 200 TX		200	1	-		0.6	B7ES	1111		BR7EIX	6664
Vespa 200 TX Elestart		200	1	-		0.6	B7ES	1111		BR7EIX	6664
Vespa GT 200 Granturismo		200	1	2003-2007		0.6	CR7EB	4663			
X8 200		200	1	2005-		0.6	CR7EKB	4455			
Ape 220		220	1	-		0.5	B7HS	5110		BR7HIX	7067
Ape 220		220	1	-		0.7	BR7HS	4737		BR7HIX	7067
Beverly 250		250	1	2003-		0.7	PMR8B	6378			
Beverly 250 GTS Injection		250	1	2006-		0.7	PMR8B	6378			
Carnaby 250		250	1	2008-		0.7	PMR8B	6378			
Cruiser 250		250	1	2003-		0.7	PMR8B	6378			
Hexagon 250 GT		250	1	1998-		0.9	DPR6EA-9	5531			
Hexagon 250 X		250	1	1998-		0.9	DPR6EA-9	5531			
MP3 250		250	1	2006-		0.7	PMR8B	6378			
MP3 250 ie		250	1	-		0.7	CR9EB	6955			
MP3 250 RL ie		250	1	-		0.7	PMR8B	6378			
MP3 RST 250		250	1	2006-		0.7	PMR8B	6378			
Super Hexagon 250 GTX		250	1	-		0.7	CR9E	6263	Q227	CR9EIX	3521
Tourer 250		250	1	2003-		0.7	PMR8B	6378			
Vespa 250 GTS i.e.		250	1	2006-		0.7	PMR8B	6378			
Vespa 250 GTV i.e.		250	1	-		0.7	PMR8B	6378			
Vespa 250 GTV Via Montenapoleone		250	1	2011-		0.7	PMR8B	6378			
X7 250		250	1	2007-		0.7	PMR8B	6378			
X8 250		250	1	2006-2008		0.6	CR8EB	7784			
X8 250 i.e.		250	1	2006-		0.7	PMR8B	6378			
X9 250		250	1	2000-2003		0.9	DPR7EA-9	5129	Q220	DPR7EIX-9	7803
X9 250 EVO		250	1	2007-		0.7	PMR8B	6378			
X9 250 Evolution		250	1	-		0.6	CR8EB	7784			
X-Evo 250		250	1	-		0.7	PMR8B	6378			
Beverly 300 i.e.		300	1	2011-		0.7	CR8EKB	4374			
Beverly Tourer 300 i.e.		300	1	2010-		0.7	CR8EKB	4374			
Carnaby 300		300	1	2009-		0.7	CR8EKB	4374			
Carnaby Cruiser 300 i.e.		300	1	2010-		0.7	CR8EKB	4374			
MP3 300		300	1	2010-		0.7	CR8EKB	4374			
MP3 300 i.e.		300	1	2010-		0.7	CR8EKB	4374			
MP3 300 i.e. Hybrid		300	1	2011-		0.7	CR8EKB	4374			
MP3 300 LT		300	1	2010-		0.7	CR8EKB	4374			
MP3 300 LT i.e.		300	1	2010-		0.7	CR8EKB	4374			
MP3 300 LT i.e. Hybrid		300	1	2011-		0.7	CR8EKB	4374			
Vespa 300 GTS Super		300	1	2008-		0.7	CR8EKB	4374			
Vespa 300 GTS Super Sport		300	1	2011-		0.7	CR8EKB	4374			
Vespa 300 GTS Super Sport ie		300	1	2011-		0.7	CR8EKB	4374			

* Bitte Elektrodenabstand nach Angaben des Herstellers justieren

* Please adjust the ground electrode gap

* Veuillez vérifier l'écartement

* Por favor, ajustar la distancia entre los electrodos

* Regolare il gap

* Iridium IX Spark Plug is the standard recommendation





Stock No.

Quick No.

Upgrade ↑

Stock No. ↑

PIAGGIO

Vespa 300 GTV via Montenapoleone		300	1	2010-		0.7	CR8EKB	4374			
X7 300 EVO i.e.		300	1	2010-		0.7	CR8EKB	4374			
Beverly 350 Sport Touring	MA2200	350	1	-2011		0.7	CR8EKB	4374			
Beverly 350 Sport Touring	MA2200	350	1	2012-		0.7	CR7EKB	4455			
X10 350		350	1	2012-		0.7	CR8EKB	4374			
Beverly 400		400	1	2007-		0.8	CR7EKB	4455			
MP3 400		400	1	2007-		0.8	CR7EKB	4455			
MP3 400 LT i.e.		400	1	2009-		0.8	CR7EKB	4455			
MP3 400 LT Sport ie		400	1	2011-		0.7	CR7EKB	4455			
MP3 400 RL ie		400	1	-		0.7	CR7EKB	4455			
MP3 RST 400		400	1	2007-		0.8	CR7EKB	4455			
Tourer 400		400	1	2007-		0.8	CR7EKB	4455			
X 400 EVO		400	1	2007-		0.8	CR7EKB	4455			
X8 400		400	1	2006-		0.8	CR7EKB	4455			
B 500		460	1	2003-		0.8	CR7EKB	4455			
Beverly 460		460	1	2007-		0.8	CR7EKB	4455			
Beverly 500		500	1	2003-		0.8	CR7EKB	4455			
Beverly Cruiser 500 TS		500	1	2007-		0.8	CR7EKB	4455			
X9 500		500	1	2003-		0.8	CR7EKB	4455			
X9 500 EVO		500	1	2004-		0.8	CR7EKB	4455			

PIONEER

Nevada 125		125	1	2008-		0.7	D8EA	2120	Q216	DR8EIX	6681
Torro 125		125	1	2008-		0.7	D8EA	2120	Q216	DR8EIX	6681

POLINI

Steel 910		50	1	-		0.6	B6HS	4510		BR6HIX	3419
Steel 910 LC		50	1	-		0.6	B6HS	4510		BR6HIX	3419
Steel 910 LC Race		50	1	-		*	BR7HIX**	7067			
Steel 910 Race		50	1	-		*	BR7HIX**	7067			

PRAGA

Cross 610	CD	610		2001-		0.6	C8E	7471		CR8EIX	4218
-----------	----	-----	--	-------	--	-----	-----	------	--	--------	------

PUCH

Maxi 25 II		50	1	-		0.5	B4H	4110			
Maxi 25 II		50	1	-		0.5	B5HS	4210			
Maxi 25 N		50	1	-		0.5	B5HS	4210			
P 1 L 25		50	1	-		0.5	B4H	4110			
P 1 XL 25		50	1	-		0.5	B4H	4110			

PULSE

Advert		50	1	-		0.6	BPR7HS	6422		BPR7HIX	5944
Evo SM		50	1	-		0.6	BR8ES	5422	Q207	BR8EIX	5044
Force 50	HT50QT-36	50	1	-		0.7	CR7HS	7223		CR7HIX	7544
Force 50		50	1	2008-		0.6	BPR7HS	6422		BPR7HIX	5944
Ghost		50	1	-		0.6	BPR7HS	6422		BPR7HIX	5944
Lightspeed 2 50	WY50QT-58	50	1	2008-		0.7	CR7HS	7223		CR7HIX	7544
Rhythm 50		50	1	-		0.7	CR7HS	7223		CR7HIX	7544
Scout 50		50	1	-		0.7	CR7HS	7223		CR7HIX	7544
Adrenaline 125	XF125GY-2B	125	1	-		0.7	CR8E	4854	Q226	CR8EIX	4218
Lightspeed 2 125	WY125T-74	125	1	2012-		0.7	CR7HS	7223		CR7HIX	7544
Phantom 125	ZN125T-32A	125	1	-		0.7	CR7HS	7223		CR7HIX	7544

*Bitte Elektrodenabstand nach Angaben des Herstellers justieren

*Please adjust the ground electrode gap

*Veuillez vérifier l'écartement

* Por favor, ajustar la distancia entre los electrodos

*Regolare il gap

** Iridium IX Spark Plug is the standard recommendation





Stock No.

Quick No.

Upgrade ↑

Stock No. ↑

PULSE

Rage 125	LK125GY-2	125	1	-		0.7	CR7HS	7223		CR7HIX	7544
Vijo 125	HT125T-9	125	1	-		0.7	D8EA	2120	Q216	DR8EIX	6681
Zoom 125		125	1	-		0.6	CR7HSA	4549		CR7HIX	7544
Adrenaline 250	XF250GY	250	1	2008-		0.7	DR8EA	7162		DR8EIX	6681

QUADRO

3		400	1	-	29hp	0.7	CR8E	4854	Q226	CR8EIX	4218
4		400	1	-	31hp	0.7	CR8E	4854	Q226	CR8EIX	4218

REGAL RAPTOR MC

DD50QE-2		50	1	2003-		0.7	CR7HSA	4549		CR7HIX	7544
DD100E		100		2003-		0.7	CR7HSA	4549		CR7HIX	7544

REGENT

Deluxe 125		125	1	-		0.6	B7HS	5110		BR7HIX	7067
Roadster 125		125	1	-		0.6	B7HS	5110		BR7HIX	7067
Sports Tourer 125		125	1	-		0.6	B7HS	5110		BR7HIX	7067
Super RT125		125	1	-		0.6	B7HS	5110		BR7HIX	7067
Deluxe 150		150	1	1995-1997		0.6	B7HS	5110		BR7HIX	7067
Roadster 150		150	1	1995-1997		0.6	B7HS	5110		BR7HIX	7067
Trail 150		150	1	1995-1997		0.6	B7HS	5110		BR7HIX	7067
Deluxe 175		175	1	-		0.6	B7HS	5110		BR7HIX	7067
RT 175 Roadster		175	1	-		0.6	B7HS	5110		BR7HIX	7067
Sports Tourer 175		175	1	-		0.6	B7HS	5110		BR7HIX	7067
Super RT 175		175	1	-		0.6	B7HS	5110		BR7HIX	7067
Trail 175		175	1	-		0.6	B7HS	5110		BR7HIX	7067

RENAULT

Campus		50	1	2001-		0.6	BR8ES	5422	Q207	BR8EIX	5044
Spécimen		50	1	2001-		0.6	BR8HS	4915	Q212	BR8HIX	7001
Spécimen		100	1	2001-		0.6	BR8HS	4915	Q212	BR8HIX	7001
Fulltime		125	1	2001-		0.6	CR9EB	6955			
Groomy		125	1	2001-		0.6	CR9EB	6955			
Kouranos		125	1	2001-		0.6	CR9EB	6955			

REX

Rex 25		25	1	-		0.6	BPR7HS	6422		BPR7HIX	5944
Rexy 25		25	1	1996-		0.6	BPR7HS	6422		BPR7HIX	5944
Rexy 50		25	1	1996-		0.6	BPR7HS	6422		BPR7HIX	5944
Rex 50		50	1	1996-		0.6	BPR7HS	6422		BPR7HIX	5944
RS 450	QM50DT-6	50	1	-		0.6	CR7HS	7223		CR7HIX	7544
Scooter 50		50	1	1996-		0.6	BPR7HS	6422		BPR7HIX	5944
Silver Star 50		50	1	-		0.6	BPR7HS	6422		BPR7HIX	5944
Silver Street 50		50	1	-		0.6	BPR7HS	6422		BPR7HIX	5944
Chopper 125		125	1	-		0.7	DR8EA	7162		DR8EIX	6681
Cruiser 125		125	1	-		0.7	DR8EA	7162		DR8EIX	6681
Fun Bike 125		125	1	2000-		0.9	DP7EA-9	5629		DPR7EIX-9	7803
Rex 125		125	1	1997-		0.5	CR7HSA	4549		CR7HIX	7544
Rexy 125		125	1	-		0.5	CR7HSA	4549		CR7HIX	7544

RFR

Moteur Linhai		138		2007-	LINHAI	0.7	C7HSA	4629		CR7HIX	7544
----------------------	--	-----	--	-------	--------	-----	-------	------	--	--------	------

RIDERS

Riders Super Cub		50	1	2011-		0.6	CR7HSA	4549		CR7HIX	7544
Riders Super Cub		110	1	2011-		0.6	CR7HSA	4549		CR7HIX	7544

* Bitte Elektrodenabstand nach Angaben des Herstellers justieren

* Please adjust the ground electrode gap

* Veuillez vérifier l'écartement

* Por favor, ajustar la distancia entre los electrodos

* Regolare il gap

* Iridium IX Spark Plug is the standard recommendation





Stock No.

Quick No.

Upgrade ↑

Stock No. ↑

RIEJU

Drac 50		50	1	-	Water fluid	0.5	B7ES	1111		BR7EIX	6664
Drac 50	AM5	50	1	1996-		0.6	BR8ES	5422	Q207	BR8EIX	5044
Drac 50,		50	1	-	Air	0.5	B6ES	7310			
Helios 50		50	1	-		0.5	B5HS	4210			
Marathon 50		50	1	-	Air	0.5	B6ES	7310			
MRT 50		50	1	-		0.6	BR9ES	5722		BR9EIX	3981
MRT 50 Pro		50	1	-		0.6	BR9ES	5722		BR9EIX	3981
MRT 50 SM		50	1	-		0.6	BR9ES	5722		BR9EIX	3981
MRX 50		50	1	2003-		0.7	BR8ES	5422	Q207	BR8EIX	5044
MRX 50 EURO	AM6	50	1	2002-		0.6	BR9ES	5722		BR9EIX	3981
MRX 50 Top	AM6	50	1	2003-		0.6	BR9ES	5722		BR9EIX	3981
MX 50		50	1	-		0.5	B6HS	4510		BR6HIX	3419
MX 50 Infantil Morini S5		50	1	2001-2001		0.5	B6HS	4510		BR6HIX	3419
MX 50 Infantil Morini S6		50	1	2002-		0.6	B9ES	2611	Q202	BR9EIX	3981
MX 50 Infantil - Morini S6		50	1	2002-		0.6	BR9ES	5722		BR9EIX	3981
NKD 50	AM6	50	1	2003-		0.6	BR9ES	5722		BR9EIX	3981
Pony 50		50	1	-		0.5	B5HS	4210			
RR 50	AM5	50	1	1997-		0.6	BR8ES	5422	Q207	BR8EIX	5044
RR 50	AM6	50	1	2001-		0.6	BR8ES	5422	Q207	BR8EIX	5044
RR 50 Castrol	AM6	50	1	2002-		0.6	BR9ES	5722		BR9EIX	3981
RR 50 EURO	AM6	50	1	2002-		0.6	BR9ES	5722		BR9EIX	3981
RR 50 Racing		50	1	-2000		0.7	BR8ES	5422	Q207	BR8EIX	5044
RR 50 Spezial Edition		50	1	2003-		0.7	BR8ES	5422	Q207	BR8EIX	5044
RR 50 Spike		50	1	-2000		0.7	BR8ES	5422	Q207	BR8EIX	5044
RR 50 Spike Racing Pro		50	1	2001-		0.7	BR8ES	5422	Q207	BR8EIX	5044
RR 50 Supermotard		50	1	-2000		0.7	BR8ES	5422	Q207	BR8EIX	5044
RRX 50 Spike Supermoto		50	1	2007-		0.5	BR8ES	5422	Q207	BR8EIX	5044
RS1 50	AM5	50	1	1997-		0.6	BR8ES	5422	Q207	BR8EIX	5044
RS-1 50		50	1	-	Water fluid	0.5	B7ES	1111		BR7EIX	6664
RS1 50 EVO	AM6	50	1	1998-		0.6	BR8ES	5422	Q207	BR8EIX	5044
RS1 50 EVO		50	1	1998-2004		0.8	BR9ES	5722		BR9EIX	3981
RS1 50 EVO EURO	AM6	50	1	2002-		0.6	BR9ES	5722		BR9EIX	3981
RS1 50 Racing		50	1	1997-2000		0.7	BR8ES	5422	Q207	BR8EIX	5044
RS2 50 Matrix	AM6	50	1	2003-		0.6	BR9ES	5722		BR9EIX	3981
RS2 50 NKD		50	1	-		0.7	BR9ES	5722		BR9EIX	3981
RS2 50 NKD		50	1	2003-		0.7	BR9ES	5722		BR9EIX	3981
RS3 50		50	1	2011-		0.7	BR9ES	5722		BR9EIX	3981
RS3 50 NKD		50	1	2011-		0.7	BR9ES	5722		BR9EIX	3981
RS3 NKD		50	1	2013-		0.7	BR9ES	5722		BR9EIX	3981
RV 50		50	1	-	Water fluid	0.5	B7ES	1111		BR7EIX	6664
SMX 50		50	1	2003-		0.7	BR8ES	5422	Q207	BR8EIX	5044
SMX 50 EURO	AM6	50	1	2002-		0.6	BR9ES	5722		BR9EIX	3981
SMX 50 FR		50	1	2008-		0.6	BR9ES	5722		BR9EIX	3981
SMX 50 Pro		50	1	2004-		0.7	BR9ES	5722		BR9EIX	3981
Spike 50		50	1	2003-		0.7	BR9ES	5722		BR9EIX	3981
Sprint 50		50	1	-		0.5	B5HS	4210			
Strada GT 49		50	1	-		0.5	B6ES	7310			
Strada GT Sport		50	1	-		0.5	B6ES	7310			
Super Marathon 50		50	1	-		0.5	B6ES	7310			
Super Marathon 50 FDN		50	1	-		0.5	B6ES	7310			

*Bitte Elektrodenabstand nach Angaben des Herstellers justieren

*Please adjust the ground electrode gap

*Veuillez vérifier l'écartement

* Por favor, ajustar la distancia entre los electrodos

*Regolare il gap

** Iridium IX Spark Plug is the standard recommendation





Stock No.

Quick No.

Upgrade ↑

Stock No. ↑

RIEJU

Super Marathon 50 MT		50	1	-		0.5	B6ES	7310			
Tango 50		50	1	2007-		0.7	BR9ES	5722		BR9EIX	3981
Varimat 50		50	1	-		0.5	B5HS	4210			
Windy 50	MY50	50	1	-		0.5	BR7HS	4737		BR7HIX	7067
Marathon 74 Enduro		75	1	-		0.5	B6ES	7310			
Marathon 74 TT		75	1	-		0.5	B6ES	7310			
Marathon 75 Cross		75	1	-		0.5	BR10EIX**	6801			
Marathon 75 Enduro		75	1	-		0.5	BR10EIX**	6801			
MR 74E		75	1	-		0.5	B6ES	7310			
MR 75E		75	1	-		0.5	B6ES	7310			
Strada GT75		75	1	-		0.5	B6ES	7310			
TT 406		75	1	-		0.5	B6HS	4510		BR6HIX	3419
MR 80 Cross		80	1	-		0.5	BR10EIX**	6801			
MR 80 E		80	1	-		0.5	B6ES	7310			
MR 80 Enduro		80	1	-		0.5	BR10EIX**	6801			
RST-80		80	1	-		0.5	B6ES	7310			
Endura 125		125	1	-		0.7	CR8E	4854	Q226	CR8EIX	4218
Marathon 125		125	1	-		0.7	CR8E	4854	Q226	CR8EIX	4218
MRX 125		125	1	2002-	YAMAHA	0.6	CR7HSA	4549		CR7HIX	7544
MRX 125		125	1	2003-		0.8	BR8ES	5422	Q207	BR8EIX	5044
RS2 125 Martix		125	1	2006-2011		0.8	CR7HSA	4549		CR7HIX	7544
RS2 125 NKD		125	1	2006-2011		0.8	CR7HSA	4549		CR7HIX	7544
RS2 125 Pro		125	1	2006-2011		0.8	CR7HSA	4549		CR7HIX	7544
RS3 125		125	1	2011-		0.7	CR8E	4854	Q226	CR8EIX	4218
RS3 125 NKD		125	1	2011-		0.7	CR8E	4854	Q226	CR8EIX	4218
SM 125		125	1	-		0.7	CR8E	4854	Q226	CR8EIX	4218
SMX 125		125	1	2002-	YAMAHA	0.6	CR7HSA	4549		CR7HIX	7544
SMX 125		125	1	2003-		0.8	BR8ES	5422	Q207	BR8EIX	5044
Tango 125 Pro		125	1	-		0.8	CR7HSA	4549		CR7HIX	7544
Marathon 250		250	1	2010-		0.7	CR8E	4854	Q226	CR8EIX	4218
Tango 250		250	1	-		0.7	D8EA	2120	Q216	DR8EIX	6681
Marathon 450		450	1	2010-		0.7	CR8E	4854	Q226	CR8EIX	4218

RIERA

Windy		50	1	-		0.5	BR7HS	4737		BR7HIX	7067
-------	--	----	---	---	--	-----	-------	------	--	--------	------

RIVERO

Linos 50		50	1	2004-2008		0.5	BPR7HS	6422		BPR7HIX	5944
Phönix 50		50	1	2006-2009		0.6	BPR8HSA	7937		BPR8HIX	6742
VR 25		50	1	-		0.6	BPR8HSA	7937		BPR8HIX	6742
VR 50		50	1	2008-2011		0.6	BPR8HSA	7937		BPR8HIX	6742
Phönix 125		125	1	2007-2009		0.6	CR7HS	7223		CR7HIX	7544

ROVIGO

Spoletto 50		50	1	1999-		0.6	BPR7HS	6422		BPR7HIX	5944
Tempesta 50		50	1	1999-		0.6	BPR7HS	6422		BPR7HIX	5944

ROYAL

Royal 125		125	1	1996-		0.6	C7HSA	4629		CR7HIX	7544
-----------	--	-----	---	-------	--	-----	-------	------	--	--------	------

ROYAL ENFIELD

Bonny 50		50	1	-		0.5	B6HS	4510		BR6HIX	3419
Sunny 50		50	1	-		0.5	B6HS	4510		BR6HIX	3419
KB 100		100	1	-		0.5	B8ES	2411	Q201	BR8EIX	5044
Scooter 125		125	1	-		0.5	B6HS	4510		BR6HIX	3419

*Bitte Elektrodenabstand nach Angaben des Herstellers justieren

*Please adjust the ground electrode gap

*Veuillez vérifier l'écartement

* Por favor, ajustar la distancia entre los electrodos

*Regolare il gap

* Iridium IX Spark Plug is the standard recommendation





Stock No.

Quick No.

Upgrade ↑

Stock No. ↑

ROYAL ENFIELD

Bullet Strada 350		350	1	-	14mm Thread Size / 19mm Thread Reach	0.6	BR6ES	4922			
Bullet Strada 350		350	1	-	14mm Thread Size / 12,7mm Thread Reach	0.6	BR6HS	4200		BR6HIX	3419
De Luxe		350	1	-	14mm Thread Size / 19mm Thread Reach	0.6	BR6ES	4922			
De Luxe		350	1	-	14mm Thread Size / 12,7mm Thread Reach	0.6	BR6HS	4200		BR6HIX	3419
India 350		350	1	-		0.5	B7HS	5110		BR7HIX	7067
Super Star		350	1	-	14mm Thread Size / 19mm Thread Reach	0.6	BR6ES	4922			
Super Star		350	1	-	14mm Thread Size / 12,7mm Thread Reach	0.6	BR6HS	4200		BR6HIX	3419
Bullet 500		500	1	-	14mm Thread Size / 19mm Thread Reach	0.6	B8ES	2411	Q201	BR8EIX	5044
Bullet 500		500	1	-	14mm Thread Size / 12,7mm Thread Reach	0.6	B8HS	5510		BR8HIX	7001
Bullet 500 de Luxe		500	1	-		0.7	BR8ES	5422	Q207	BR8EIX	5044
Bullet 500 Silverstar		500	1	-		0.7	BR8ES	5422	Q207	BR8EIX	5044
Bullet 500 Standard		500	1	-		0.7	BR8ES	5422	Q207	BR8EIX	5044
Bullet Electra 500		500	1	-		0.5	B9ES	2611	Q202	BR9EIX	3981
Bullet Electra X		500	1	2004-		0.8	BR9ES	5722		BR9EIX	3981
Bullet Sixty 5		500	1	-		0.7	BR8ES	5422	Q207	BR8EIX	5044
India		500	1	-		0.5	B8ES	2411	Q201	BR8EIX	5044

RTX

C 125		125	1	-		0.5	B7HS	5110		BR7HIX	7067
T 125		125	1	-		0.5	B7HS	5110		BR7HIX	7067
C 212		212	1	-		0.5	B8HS	5510		BR8HIX	7001
T 212		212	1	-		0.5	B8HS	5510		BR8HIX	7001

S.I.S.

4 Cyclone		50	1	-		0.5	B8HS	5510		BR8HIX	7001
Almirante 4		50	1	-		0.5	B8HS	5510		BR8HIX	7001
Almirante 5		50	1	-		0.5	B8HS	5510		BR8HIX	7001
Asa d'Ouro		50	1	-		0.6	B6HS	4510		BR6HIX	3419
Brass		50	1	-		0.6	B6HS	4510		BR6HIX	3419
EKO 70		50	1	-		0.5	B7HS	5110		BR7HIX	7067
Felino		50	1	-		0.5	B7HS	5110		BR7HIX	7067
Lebre		50	1	-		0.5	B8HS	5510		BR8HIX	7001
Mini Sport		50	1	-		0.5	B7HS	5110		BR7HIX	7067
Mini Turismo		50	1	-		0.5	B7HS	5110		BR7HIX	7067
Minor GT		50	1	-		0.6	B6HS	4510		BR6HIX	3419
V4		50	1	-		0.5	B8HS	5510		BR8HIX	7001
V5 Sport		50	1	-		0.5	B8HS	5510		BR8HIX	7001
V5 Super Sport		50	1	-		0.5	B8HS	5510		BR8HIX	7001
V5 Turismo		50	1	-		0.5	B8HS	5510		BR8HIX	7001

SACHS

49er		50	1	2005-		0.5	CR7HSA	4549		CR7HIX	7544
4 Rock		50	1	2006-		0.7	BPR7HS	6422		BPR7HIX	5944
Bee 50		50	1	2007-2010		0.6	BPR6HS	7022		BPR6HIX	4085
Buxy 50		50	1	-		0.6	B7HS	5110		BR7HIX	7067
Buxy 50 RS		50	1	-		0.6	B7HS	5110		BR7HIX	7067
City Roller CV 50		50	1	-		0.7	BPR6HS	7022		BPR6HIX	4085
Dirty Devil 50		50	1	-		0.5	BP5HS	4111			

*Bitte Elektrodenabstand nach Angaben des Herstellers justieren

*Please adjust the ground electrode gap

*Veuillez vérifier l'écartement

* Por favor, ajustar la distancia entre los electrodos

*Regolare il gap

** Iridium IX Spark Plug is the standard recommendation





Stock No.

Quick No.

Upgrade ↑

Stock No. ↑

SACHS

Eagle 50	50	1	2009-		0.5	BR8HSA	5539			
Enduro ZX 50	50	1	-		0.5	BR8ES	5422	Q207	BR8EIX	5044
Jogging	50	1	-		0.5	B6HS	4510		BR6HIX	3419
KX 50	50	1	1997-		0.5	B6HS	4510		BR6HIX	3419
Lastboy	50	1	-		0.5	B7HS	5110		BR7HIX	7067
Limbo	50	1	-		0.6	BP6HS	4511		BPR6HIX	4085
MadAss 50	50	1	2004-2010		0.6	CR7HSA	4549		CR7HIX	7544
Optima 50	50	1	1996-2002		0.5	BR8HS	4915	Q212	BR8HIX	7001
Prima 2	50	1	-		0.5	BR5HS	3722			
Prima 3	50	1	-		0.5	B6HS	4510		BR6HIX	3419
Prima 4	50	1	-		0.5	B6HS	4510		BR6HIX	3419
Prima 4LN	50	1	-		0.5	B6HS	4510		BR6HIX	3419
Prima 5	50	1	-		0.5	B6HS	4510		BR6HIX	3419
Prima 5LN	50	1	-		0.5	B6HS	4510		BR6HIX	3419
Prima 6	50	1	-		0.5	B6HS	4510		BR6HIX	3419
Prima G3	50	1	-		0.5	B6HS	4510		BR6HIX	3419
Prima GT	50	1	-		0.5	B6HS	4510		BR6HIX	3419
Prima GX	50	1	-		0.5	B6HS	4510		BR6HIX	3419
Prima Presto	50	1	-		0.5	B6HS	4510		BR6HIX	3419
Prima Pronto	50	1	-		0.5	B6HS	4510		BR6HIX	3419
Prima S	50	1	-		0.5	B6HS	4510		BR6HIX	3419
Prima SL	50	1	-		0.5	B6HS	4510		BR6HIX	3419
Prima SX	50	1	-		0.5	B6HS	4510		BR6HIX	3419
Reggae	50	1	-		0.6	B7HS	5110		BR7HIX	7067
Reggae RS	50	1	-		0.6	B7HS	5110		BR7HIX	7067
Samba SR	50	1	-		0.5	B8HS	5510		BR8HIX	7001
Speedake	50	1	-		0.6	B7HS	5110		BR7HIX	7067
Speedfight 50 AC	50	1	1997-	Air	0.6	BR7HS	4737		BR7HIX	7067
Speedfight 50 LC	50	1	1997-	Water fluid	0.6	BR7HS	4737		BR7HIX	7067
Speedfight 50 LC ADT	50	1	1997-	Water fluid	0.6	BR7HS	4737		BR7HIX	7067
Speedforce 25	50	1	2007-		0.6	BPR6HS	7022		BPR6HIX	4085
Speedforce 50	50	1	2007-		0.6	BPR6HS	7022		BPR6HIX	4085
Speedforce R50	50	1	2007-		0.6	BPR6HS	7022		BPR6HIX	4085
Speedjet 25	50	1	-		0.6	BPR6HS	7022		BPR6HIX	4085
Speedjet 50	50	1	2007-2010		0.6	BPR6HS	7022		BPR6HIX	4085
Speedjet 50 R	50	1	2008-2010		0.7	BPR7HS	6422		BPR7HIX	5944
Speedjet 50 RS	50	1	2011-		0.7	BPR7HS	6422		BPR7HIX	5944
Splinter 50	50	1	1996-1997		0.6	B7HS	5110		BR7HIX	7067
Squab	50	1	-		0.6	BR8HS	4915	Q212	BR8HIX	7001
SR 50	50	1	-		0.6	B8HS	5510		BR8HIX	7001
SV 50	50	1	-		0.6	B8HS	5510		BR8HIX	7001
SV 50 Junior	50	1	-		0.6	B8HS	5510		BR8HIX	7001
SX1	50	1	-		0.6	BPR6HS	7022		BPR6HIX	4085
T-Rex 50	50	1	2004-2005		0.6	BPR7HS	6422		BPR7HIX	5944
Ultra 50	50	1	-		0.5	B9ES	2611	Q202	BR9EIX	3981
Zenith	50	1	-		0.6	BP6HS	4511		BPR6HIX	4085
ZX 1	50	1	-		0.5	B7ES	1111		BR7EIX	6664
City Roller CV 80	80	1	-		0.7	BPR6HS	7022		BPR6HIX	4085
City Roller CV 80 E	80	1	-		0.7	BR8HS	4915	Q212	BR8HIX	7001
RX 9	80	1	-		0.5	B8HS	5510		BR8HIX	7001
SR 80	80	1	-		0.6	B8HS	5510		BR8HIX	7001
SV 80	80	1	-		0.6	B8HS	5510		BR8HIX	7001

*Bitte Elektrodenabstand nach Angaben des Herstellers justieren

*Please adjust the ground electrode gap

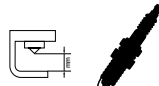
*Veuillez vérifier l'écartement

* Por favor, ajustar la distancia entre los electrodos

*Regolare il gap

* Iridium IX Spark Plug is the standard recommendation





Stock No.

Quick No.

Upgrade ↑

Stock No. ↑

SACHS

Ultra 80 LC		80	1	-		0.5	B8HS	5510		BR8HIX	7001
K 100 X		100	1	-		0.5	B8HS	5510		BR8HIX	7001
4 rock		110	1	2006-		0.7	BPR7HS	6422		BPR7HIX	5944
Dirty Devil 110		110	1	-		0.6	C7HSA	4629		CR7HIX	7544
Eagle 125		125	1	2009-		0.6	CR7HSA	4549		CR7HIX	7544
MadAss 125		125	1	2006-2010		0.8	CR7HSA	4549		CR7HIX	7544
Roadster 125 V2		125	1	1998-		0.8	CR6HSA	2983		CR6HIX	7274
RS 125		125	1	1997-		0.7	BR8ES	5422	Q207	BR8EIX	5044
SR 125		125	1	-		0.6	BP6HS	4511		BPR6HIX	4085
SR 125 C		125	1	-		0.6	BP6HS	4511		BPR6HIX	4085
Superduke		125	1	1997-		0.6	C7HSA	4629		CR7HIX	7544
SV 125		125	1	-		0.6	BP6HS	4511		BPR6HIX	4085
SV 125 C		125	1	-		0.6	BP6HS	4511		BPR6HIX	4085
X-Road 125		125	1	-		0.6	CR8E	4854	Q226	CR8EIX	4218
XTC 125		125	1	2002-2007	10mm Thread Size / 19mm Thread Reach	0.7	CR8E	4854	Q226	CR8EIX	4218
XTC 125 V2		125	1	1998-2001	15hp	0.8	BR9ES	5722		BR9EIX	3981
XTC-N 125		125	1	1998-2001	11hp	0.8	BR8ES	5422	Q207	BR8EIX	5044
XTC-N 125 Racing 'V2		125	1	1998-2001	11hp	0.8	BR8ES	5422	Q207	BR8EIX	5044
ZX 125		125	1	1997-	15hp	0.6	BR9ES	5722		BR9EIX	3981
ZX 125		125	1	1997-	11hp	0.6	BR8ES	5422	Q207	BR8EIX	5044
ZX 125		125	1	1997-		0.7	BR8ES	5422	Q207	BR8EIX	5044
ZZ 125		125	1	2001-	14hp	0.8	BR9ES	5722		BR9EIX	3981
ZZ 125		125	1	2001-		0.8	BR8ES	5422	Q207	BR8EIX	5044
4 rock		150	1	2006-		0.7	C7HSA	4629		CR7HIX	7544
Helix		150	1	2006-		0.6	C7HSA	4629		CR7HIX	7544
4 rock 250		250	1	2006-		0.7	CR8HSA	2086		CR8HIX	7669
W 2000		294	1	-		0.5	BR7ES	5122		BR7EIX	6664
Roadster 650		650	1	1999-		0.8	CR9E	6263	Q227	CR9EIX	3521
Roadster 800		800	2	2001-		0.9	DPR8EA-9	4929	Q221	DPR8EIX-9	2202
B 805		805	2	2002-		0.9	DPR8EA-9	4929	Q221	DPR8EIX-9	2202

SANYANG

Bullet 50		50	1	-		0.6	BR8HSA	5539			
Bullet 50 B		50	1	-		0.6	BR8HSA	5539			
Bullet 50 G5A		50	1	-		0.6	BR8HSA	5539			
DD 50		50	1	-		0.6	BR8HSA	5539			
DD 50 Mofa		50	1	-		0.6	BR8HSA	5539			
DIO		50	1	-		0.6	BR8HSA	5539			
DIO B		50	1	-		0.6	BR8HSA	5539			
DIO E		50	1	-		0.6	BR8HSA	5539			
DIO F5A		50	1	-		0.6	BR8HSA	5539			
Fancy 50		50	1	1995-		0.6	BR8HSA	5539			
Flash 50		50	1	-		0.6	BR8HSA	5539			
Free 50		50	1	-		0.6	BR8HSA	5539			
Jet 50		50	1	-		0.6	BR8HSA	5539			
Jet Euro X		50	1	-		0.6	BR8HSA	5539			
Jet Mio 50		50	1	-	Italy	0.6	BR8HSA	5539			
Mike 50		50	1	-		0.6	BR8HSA	5539			
Pure 50		50	1	-	Italy	0.6	BR8HSA	5539			
Red Devil 50		50	1	-		0.6	BR8HSA	5539			
RS 50		50	1	-		0.6	BR8HSA	5539			
Shark RS 50		50	1	-		0.6	BR8HSA	5539			

*Bitte Elektrodenabstand nach Angaben des Herstellers justieren

*Please adjust the ground electrode gap

*Veuillez vérifier l'écartement

* Por favor, ajustar la distancia entre los electrodos

*Regolare il gap

** Iridium IX Spark Plug is the standard recommendation





Stock No.

Quick No.

Upgrade ↑

Stock No. ↑

SANYANG

Super Fancy 50		50	1	-		0.6	BR8HSA	5539			
Duke 125		125	1	-		0.6	C7HSA	4629		CR7HIX	7544
Euro MX 125		125	1	-		0.6	CR7HSA	4549		CR7HIX	7544
GTS 125		125	1	-		0.7	CR8E	4854	Q226	CR8EIX	4218
HD 125 Evo		125	1	-		0.7	CR8E	4854	Q226	CR8EIX	4218
Husky 125		125	1	1995-		0.7	DR8EA	7162		DR8EIX	6681
Joyride 125		125	1	-		0.6	CR7HSA	4549		CR7HIX	7544
RS 4V 125		125	1	-		0.6	CR7HSA	4549		CR7HIX	7544
Super Duke 125		125	1	-		0.6	C7HSA	4629		CR7HIX	7544
HD 200 i		171	1	-		0.7	CR8E	4854	Q226	CR8EIX	4218
GTS 250		250	1	-		0.7	CR8E	4854	Q226	CR8EIX	4218

SASY

Classic 200 E		50	1	1996-		0.5	BPR6HS	7022		BPR6HIX	4085
JC 50		50	1	1996-		0.6	C7HSA	4629		CR7HIX	7544
Jet 50		50	1	1996-		0.5	BPR6HS	7022		BPR6HIX	4085
Mulan B		50	1	1996-		0.5	BPR6HS	7022		BPR6HIX	4085
Mulan Super AG		50	1	1996-		0.5	BPR6HS	7022		BPR6HIX	4085
Standard 50		50	1	1996-		0.5	BPR6HS	7022		BPR6HIX	4085

SCORPA

4-Tricks		70	1	2006-2007		0.7	CR7HSA	4549		CR7HIX	7544
SR 125 R		125	1	2011-		0.5	BP5ES	6511		BPR5EIX	6597
SY 125 FR		125	1	2003-2009		0.7	CR7HSA	4549		CR7HIX	7544
TY 125 F		125	1	2012-		0.7	CR6HSA	2983		CR6HIX	7274
TY-S 125 F		125	1	2004-2006		0.7	CR7HSA	4549		CR7HIX	7544
SY 175 F		175	1	2003-2009		0.7	CR7HSA	4549		CR7HIX	7544
SY 175 FR		175	1	2003-2009		0.7	CR7HSA	4549		CR7HIX	7544
TY-S 175 F		175	1	2003-2009		0.7	CR7HSA	4549		CR7HIX	7544
Easy Trial 250		250	1	1994-		0.6	BP5ES	6511		BPR5EIX	6597
SY 250		250	1	-		*	BPR6EIX**	6637			
SY 250 F Long Rider		250	1	2007-		0.8	CR8E	4854	Q226	CR8EIX	4218
SY 250 FR		250	1	2007-		0.6	CR8E	4854	Q226	CR8EIX	4218
SY 250 Long Ride		250	1	2000-2005		0.6	BPR6EIX**	6637			
SY 250 Long Ride		250	1	2006-2009		*	BKR5EIX**	6341			
SY 250 Racing		250	1	2001-2009		*	BKR5EIX**	6341			
T-Ride 250 F		250	1	2008-		0.6	CR8E	4854	Q226	CR8EIX	4218
TY 250		250	1	-		*	BKR6EIX**	6418			
TY 250 E		250	1	-		*	BKR6EIX**	6418			
Easy Trial 280		280	1	1994-		0.6	BP5ES	6511		BPR5EIX	6597
SR 280 R		280	1	2011-		0.5	BP5ES	6511		BPR5EIX	6597
294 / 295		300	1	-		0.5	BP5ES	6511		BPR5EIX	6597

SHE LUNG

Club		50	1	-		0.6	BP7HS	5111		BPR7HIX	5944
Racer		50	1	-		0.6	BP7HS	5111		BPR7HIX	5944

SHERCO

0.5 Kid		50		-		0.6	B9ES	2611	Q202	BR9EIX	3981
Base 50		50		-		0.7	BR9ES	5722		BR9EIX	3981
Enduro 50		50	1	2002-		0.5	BR8ES	5422	Q207	BR8EIX	5044
Enduro 50		50	1	2007-2010		0.6	BR9ES	5722		BR9EIX	3981
HRD 50		50	1	2003-		0.7	BR9ES	5722		BR9EIX	3981
Ipone 50 Replica		50		-		0.7	BR9ES	5722		BR9EIX	3981

*Bitte Elektrodenabstand nach Angaben des Herstellers justieren

*Please adjust the ground electrode gap

*Veuillez vérifier l'écartement

* Por favor, ajustar la distancia entre los electrodos

*Regolare il gap

* Iridium IX Spark Plug is the standard recommendation





Stock No.

Quick No.

Upgrade ↑

Stock No. ↑

SHERCO

SE 50 R		50	1	2011-		0.7	BR9ES	5722		BR9EIX	3981
SM 50		50	1	2008-		0.6	BR9ES	5722		BR9EIX	3981
SM 50 Black Panther		50	1	2008-		0.6	BR9ES	5722		BR9EIX	3981
SM 50 Champion		50	1	2008-		0.6	BR9ES	5722		BR9EIX	3981
SM 50 Sherco		50	1	2008-		0.6	BR9ES	5722		BR9EIX	3981
SM 50 Supermotard R		50	1	2007-		0.6	BR9ES	5722		BR9EIX	3981
Supermotard 50		50	1	2008-		0.6	BR9ES	5722		BR9EIX	3981
Super Motard 50		50	1	2002-		0.5	BR8ES	5422	Q207	BR8EIX	5044
Trial Kid 50 0,5		50	1	2002-	Italy	0.5	B9ES	2611	Q202	BR9EIX	3981
Trial 80 0,8 ST		75	1	2007-		0.7	BP5ES	6511		BPR5EIX	6597
Academy		125		2009-		0.6	BP5ES	6511		BPR5EIX	6597
City Corp 125		125	1	2003-2007	Water fluid	0.5	CR7HSA	4549		CR7HIX	7544
City Corp 125 Enduro		125	1	2008-	Water fluid	0.5	CR6HSA	2983		CR6HIX	7274
City Corp 125 Supermotard		125	1	2008-	Water fluid	0.5	CR6HSA	2983		CR6HIX	7274
ST 1.25		125	1	2001-		0.6	BP5ES	6511		BPR5EIX	6597
Trial 125 1,25		125	1	2000-		0.5	BP5ES	6511		BPR5EIX	6597
Trial 125 1,25		125	1	2008-		0.7	BP5ES	6511		BPR5EIX	6597
X-Ride 125		125	1	2014-		0.6	BPR5ES	7422		BPR5EIX	6597
2.0		200	1	1999-		0.6	BP5ES	6511		BPR5EIX	6597
2.5		249	1	2001-		0.6	BP5ES	6511		BPR5EIX	6597
2.5i-F		250	1	2008-2011		0.7	CR8EK	3478			
Access 2.5		250	1	2010-		0.6	BP5ES	6511		BPR5EIX	6597
Scottish Six Days Winner		250	1	2000-		0.5	BP5ES	6511		BPR5EIX	6597
SE 250		250	1	2014-		0.6	BR8ES	5422	Q207	BR8EIX	5044
SE 250i		250	1	2012-		0.7	CR8EK	3478			
SEF 250		250	1	2014-		0.7	CR8EK	3478			
SEF-R 250		250	1	2014-		0.7	CR8EK	3478			
SE-R 250		250	1	2014-		0.6	BR8ES	5422	Q207	BR8EIX	5044
ST 250		250	1	2014-		0.6	BP5ES	6511		BPR5EIX	6597
ST 250 2.5		250	1	1999-		0.6	BP5ES	6511		BPR5EIX	6597
Trial 2,5		250	1	2000-		0.5	BP5ES	6511		BPR5EIX	6597
Trial 2,9		250	1	2000-		0.5	BP5ES	6511		BPR5EIX	6597
2.9		272	1	2001-		0.6	BP5ES	6511		BPR5EIX	6597
X-Ride 290		272	1	2012-		0.6	BPR5ES	7422		BPR5EIX	6597
290 2,9 ST		290	1	2014-		0.6	BP5ES	6511		BPR5EIX	6597
290 2.9 ST		290	1	1999-		0.6	BP5ES	6511		BPR5EIX	6597
3.0i-F		290	1	2010-2011		0.7	CR8EK	3478			
Access 2.9		290	1	2010-		0.6	BP5ES	6511		BPR5EIX	6597
SE 300i		290	1	2012-		0.7	CR8EK	3478			
X-Ride 290		290	1	2014-		0.6	BP5ES	6511		BPR5EIX	6597
SE 300		300	1	2014-		0.6	BR8ES	5422	Q207	BR8EIX	5044
SEF 300		300	1	2014-		0.7	CR8EK	3478			
SEF-R 300		300	1	2014-		0.7	CR8EK	3478			
SE-R 300		300	1	2014-		0.6	BR8ES	5422	Q207	BR8EIX	5044
Trial 305 ST		305	1	2014-		0.6	BP5ES	6511		BPR5EIX	6597
Trial 320 3.2		317	1	2006-		0.6	BCPR6E	1269		BCPR6EIX	5689
4.5 Enduro		448	1	2005-		0.6	CR8EK	3478			
4.5 Supermotard		448	1	2005-		0.6	CR8EK	3478			
450i		448	1	2008-		0.6	CR8EK	3478			
4.5		450	1	2005-		0.7	CR8EK	3478			
4.5i-F 4T		450	1	2004-		0.7	CR8EK	3478			

*Bitte Elektrodenabstand nach Angaben des Herstellers justieren

*Please adjust the ground electrode gap

*Veuillez vérifier l'écartement

* Por favor, ajustar la distancia entre los electrodos

*Regolare il gap

** Iridium IX Spark Plug is the standard recommendation





Stock No.

Quick No.

Upgrade ↑

Stock No. ↑

SHERCO

5.1 Enduro		510	1	2008-		0.6	CR8EK	3478			
5.1i		510	1	2005-		0.7	CR8EK	3478			
5.1 Supermotard		510	1	2008-		0.6	CR8EK	3478			

SIAM

Falkon 50		50	1	1997-		0.6	BR7HS	4737		BR7HIX	7067
Scross 50		50	1	-		0.7	BPR6HS	7022		BPR6HIX	4085

SIAMOTO

Birdie 25		25	1	1999-		0.7	BPR6HS	7022		BPR6HIX	4085
Birdie 25 Mofa		25	1	1999-		0.6	BPR6HS	7022		BPR6HIX	4085
Birdie 50 Mokick		50	1	1999-		0.6	BPR6HS	7022		BPR6HIX	4085
Scoss 50		50	1	1999-		0.5	BR7HS	4737		BR7HIX	7067
Capri 125		125	1	1999-		0.7	C7HSA	4629		CR7HIX	7544
Favourite 125		125	1	1999-		0.7	C7HSA	4629		CR7HIX	7544
KD 125		125	1	1999-		0.7	C7HSA	4629		CR7HIX	7544

SIMSON

Albatros		50	1	1997-2001		0.4	B8HS	5510		BR8HIX	7001
City 2000		50	1	1995-		0.6	B8HS	5510		BR8HIX	7001
Habicht 25		50	1	1996-2001		0.4	B8HS	5510		BR8HIX	7001
Habicht 50		50	1	1996-2001		0.4	B8HS	5510		BR8HIX	7001
Habicht 50 Basic		50	1	1996-2002		0.4	B8HS	5510		BR8HIX	7001
Habicht 50 S		50	1	1996-1998		0.4	B8HS	5510		BR8HIX	7001
Sperber 50 Basic		50	1	-		0.4	B8HS	5510		BR8HIX	7001
SR 50	1B	50	1	-		0.6	B8HS	5510		BR8HIX	7001
SR 50 CC		50	1	1993-		0.6	B8HS	5510		BR8HIX	7001
SR 50 CCE		50	1	1993-		0.6	B8HS	5510		BR8HIX	7001
SR 50 Gamma	1XG	50	1	-		0.6	B8HS	5510		BR8HIX	7001
SR 50 Gamma	1XCE	50	1	-		0.6	B8HS	5510		BR8HIX	7001
SR 50 XC		50	1	1993-		0.6	B8HS	5510		BR8HIX	7001
SR 50 XCE		50	1	1993-		0.6	B8HS	5510		BR8HIX	7001
SR 50 XG		50	1	1993-		0.6	B8HS	5510		BR8HIX	7001
Star 25		50	1	1996-		0.4	B8HS	5510		BR8HIX	7001
Star 25 Base E		50	1	1996-		0.4	B8HS	5510		BR8HIX	7001
Star 50		50	1	1996-		0.7	BPR6HS	7022		BPR6HIX	4085
Star Classic 50		50	1	1996-		0.4	B8HS	5510		BR8HIX	7001
Star Classic 50 Hot Summer		50	1	1996-		0.4	B8HS	5510		BR8HIX	7001
Trucky SD 50 CT		50	1	1996-		0.4	B8HS	5510		BR8HIX	7001
Hot Summer 80		70	1	1997-		0.4	B9HS	5810		BR9HIX	5687
Star Classic 80		70	1	1997-		0.4	B9HS	5810		BR9HIX	5687
Habicht 80		80	1	1996-2001		0.4	B8HS	5510		BR8HIX	7001
Habicht 80 Basic		80	1	1996-2002		0.4	B8HS	5510		BR8HIX	7001
Habicht 80 S		80	1	1996-1998		0.4	B8HS	5510		BR8HIX	7001
Hot Summer 80		80	1	1996-		0.4	B8HS	5510		BR8HIX	7001
Sperber 80 Basic		80	1	1996-1997		0.4	B8HS	5510		BR8HIX	7001
SR 80		80	1	-		0.6	B8HS	5510		BR8HIX	7001
SR 80		80	1	1993-1995		0.6	B8HS	5510		BR8HIX	7001
SR 80 1B		80	1	1993-1995		0.6	B8HS	5510		BR8HIX	7001
SR 80 1XCE		80	1	-		0.6	B8HS	5510		BR8HIX	7001
Star Classic 80		80	1	1996-		0.4	B8HS	5510		BR8HIX	7001

SINNIS

Eagle		50	1	2006-		0.6	BPR7HS	6422		BPR7HIX	5944
--------------	--	----	---	-------	--	-----	--------	------	--	---------	------

* Bitte Elektrodenabstand nach Angaben des Herstellers justieren

* Please adjust the ground electrode gap

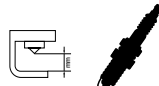
* Veuillez vérifier l'écartement

* Por favor, ajustar la distancia entre los electrodos

* Regolare il gap

* Iridium IX Spark Plug is the standard recommendation





Stock No.

Quick No.

Upgrade ↑

Stock No. ↑

SINNIS

Falcon		50	1	2006-		0.6	CR7HSA	4549		CR7HIX	7544
Flair		50	1	2012-		0.6	CR7HSA	4549		CR7HIX	7544
Ghost		50	1	2006-2009		0.6	BPR7HS	6422		BPR7HIX	5944
Hawk		50	1	2006-		0.6	BPR7HS	6422		BPR7HIX	5944
Jet		50	1	2006-		0.6	CR7HSA	4549		CR7HIX	7544
Nitro		50	1	2006-2009		0.6	BPR7HS	6422		BPR7HIX	5944
Phoenix		50	1	2012-		0.6	BPR7HS	6422		BPR7HIX	5944
Pioneer		50	1	2006-2009		0.6	BPR7HS	6422		BPR7HIX	5944
Strike		50	1	2006-2009		0.6	BPR7HS	6422		BPR7HIX	5944
Breeze		110	1	2006-2009		0.6	CR7HSA	4549		CR7HIX	7544
Apache		125	1	2007-		0.7	CR8E	4854	Q226	CR8EIX	4218
Blade		125	1	2007-		0.7	CR8E	4854	Q226	CR8EIX	4218
Eagle		125	1	2007-		0.6	CR7HSA	4549		CR7HIX	7544
Eco City		125	1	2010-		0.6	CR7HSA	4549		CR7HIX	7544
Matrix		125	1	2007-		0.6	CR7HSA	4549		CR7HIX	7544
Matrix II		125	1	2007-		0.6	CR7HSA	4549		CR7HIX	7544
Max		125	1	2007-		0.7	CR8E	4854	Q226	CR8EIX	4218
Nitro		125	1	2007-		0.6	CR7HSA	4549		CR7HIX	7544
Pioneer		125	1	2007-		0.6	CR7HSA	4549		CR7HIX	7544
Spirit		125	1	2012-		0.6	CR7HSA	4549		CR7HIX	7544
Stealth		125	1	2007-		0.7	CR8E	4854	Q226	CR8EIX	4218
Sublime		125	1	2007-		0.6	CR7HSA	4549		CR7HIX	7544
Trackstar		125	1	2010-		0.7	CR8E	4854	Q226	CR8EIX	4218
Vista		125	1	2007-		0.7	CR8E	4854	Q226	CR8EIX	4218
Apache		200	1	2007-2009		0.7	DR8ES-L	2923	Q218	DR9EIX	4772
Blade		200	1	2007-2009		0.7	DR8ES-L	2923	Q218	DR9EIX	4772

SKYTEAM

Wacky ST125		125	1	-		0.7	C7HSA	4629		CR7HIX	7544
Wacky ST125 Y		125	1	-		0.7	C7HSA	4629		CR7HIX	7544

SMC

NAF 50 Navigator		50	1	-		0.6	BPR7HS	6422		BPR7HIX	5944
NGF 50 Sports Force		50	1	-		0.6	BPR7HS	6422		BPR7HIX	5944
NKF 50 off road		50	1	-		0.6	BPR7HS	6422		BPR7HIX	5944
NKF 50 on road		50	1	-		0.6	BPR7HS	6422		BPR7HIX	5944
NLFR 50 Caprillio		50	1	-		0.6	BPR7HS	6422		BPR7HIX	5944
PAF 50 Partner		50	1	-		0.6	BPR7HS	6422		BPR7HIX	5944
SBF 50 Super		50	1	-		0.6	BPR7HS	6422		BPR7HIX	5944
NGN 90 Sports Force		90	1	-		0.6	BPR7HS	6422		BPR7HIX	5944
SBN 90 Super		90	1	-		0.6	BPR7HS	6422		BPR7HIX	5944
NKO 100 off road		100	1	-		0.6	BPR7HS	6422		BPR7HIX	5944
NKO 100 on road		100	1	-		0.6	BPR7HS	6422		BPR7HIX	5944
SBO 100 Super		100	1	-		0.6	BPR7HS	6422		BPR7HIX	5944
CHP 125 Chopper		125	1	-		0.7	DR8EA	7162		DR8EIX	6681

SPIGAOU

Dax 50		50	1	-		0.7	CR7HSA	4549		CR7HIX	7544
Dax 125		125	1	-	LONCIN	0.7	CR7HSA	4549		CR7HIX	7544

STAR QUAD

Jinlun Scooter 50	JL50QT-5	50	1	-		0.7	C7HSA	4629		CR7HIX	7544
-------------------	----------	----	---	---	--	-----	-------	------	--	--------	------

STEFFEN

Steffi		50	1	1998-		0.6	BP6HS	4511		BPR6HIX	4085
--------	--	----	---	-------	--	-----	-------	------	--	---------	------

*Bitte Elektrodenabstand nach Angaben des Herstellers justieren

*Please adjust the ground electrode gap

*Veuillez vérifier l'écartement

* Por favor, ajustar la distancia entre los electrodos

*Regolare il gap

** Iridium IX Spark Plug is the standard recommendation





Stock No.

Quick No.

Upgrade ↑

Stock No. ↑

STEFFEN

Steffi S		50	1	1998-		0.6	BP6HS	4511		BPR6HIX	4085
-----------------	--	----	---	-------	--	-----	-------	------	--	---------	------

SUNDIRO

Speedy 50		50	1	1996-		0.6	BR9EIX**	3981			
Speedy 80		80	1	-		0.6	BR9EIX**	3981			
Phönix XDZ 125 T		125	1	1996-		0.6	CR7HSA	4549		CR7HIX	7544
Phönix XDZ 125 TA		125	1	1996-		0.6	CR7HSA	4549		CR7HIX	7544
Phönix XDZ 125 TN		125	1	1996-		0.6	DR8EA	7162		DR8EIX	6681

SUPERBYKE

M-PED 50		50	1	2006-		0.6	CR7HSA	4549		CR7HIX	7544
Powerband 50		50	1	2006-	14mm Thread Size / 12,7mm Thread Reach	0.6	BPR7HS	6422		BPR7HIX	5944
Powermax 50		50	1	2008-	14mm Thread Size / 12,7mm Thread Reach	0.6	BPR7HS	6422		BPR7HIX	5944
Powerband 125		125	1	2006-		0.6	CR7HSA	4549		CR7HIX	7544
RBP 125		125	1	2006-		0.7	D8EA	2120	Q216	DR8EIX	6681
RMR 125		125	1	-		0.7	CR8E	4854	Q226	CR8EIX	4218
Smax 125		125	1	2008-		0.6	CR7HSA	4549		CR7HIX	7544

SUZUKI

A 50		50	1	-	Constr.Code K	0.7	BR8HS	4915	Q212	BR8HIX	7001
A 50		50	1	-	Constr.Code P/S	0.7	BPR6HS	7022		BPR6HIX	4085
A 50		50	1	-	Constr.Code P	0.7	BR7HS	4737		BR7HIX	7067
A 50 M		50	1	-	Constr.Code D	0.7	B8HS	5510		BR8HIX	7001
A 50 PB		50	1	-	Constr.Code D	0.7	B8HS	5510		BR8HIX	7001
A 50 PM		50	1	-	Constr.Code D	0.7	B8HS	5510		BR8HIX	7001
AH 50 Adresse	CA1GA	50	1	1992-1993	Constr.Code N	0.6	BPR6HS	7022		BPR6HIX	4085
AH 50 Adresse	CA1GA	50	1	1994-1995	Constr.Code R 4hp	0.7	BPR6HS	7022		BPR6HIX	4085
AH 50 GP	CA1JA	50	1	1995-		0.6	BPR6HS	7022		BPR6HIX	4085
AJ 50		50	1	1995-		0.6	BPR7HS	6422		BPR7HIX	5944
AJ 50 ZZ		50	1	1995-		0.5	BPR7HS	6422		BPR7HIX	5944
AP 50	CA1JA	50	1	1994-	Constr.Code W 4hp	0.7	BPR6HS	7022		BPR6HIX	4085
AP 50	CA1JA	50	1	1994-1994	Constr.Code R 4hp	0.7	BPR6HS	7022		BPR6HIX	4085
AP 50	CA1JA	50	1	1995-1995	4hp	0.7	BPR6HS	7022		BPR6HIX	4085
AP 50	CA1JA	50	1	1996-1996	Constr.Code T 4hp	0.7	BPR6HS	7022		BPR6HIX	4085
AP 50	CA1JA	50	1	1997-1997	Constr.Code V 4hp	0.7	BPR6HS	7022		BPR6HIX	4085
AY 50 Katana AC		50	1	1997-2004	4hp Air	0.6	BPR6HS	7022		BPR6HIX	4085
AY 50 Katana DiTech		50	1	2005-2006		0.6	CPR8E	7411			
AY 50 Katana W		50	1	1997-2004	4hp Air	0.6	BPR6HS	7022		BPR6HIX	4085
AY 50 Katana WR		50	1	1997-2004	4hp Air	0.6	BPR6HS	7022		BPR6HIX	4085
AY 50 Katana WRX		50	1	1997-2004	4hp Air	0.6	BPR6HS	7022		BPR6HIX	4085
CL 50 DO		50	1	-		0.7	BP4HS	3611			
CS 50		50	1	-		0.7	BPR4HS	7823			
CX 50		50	1	-		0.7	BPR6HS	7022		BPR6HIX	4085
CY 50		50	1	-		0.7	BPR6HS	7022		BPR6HIX	4085
DM 50		50	1	-		0.7	BP6HS	4511		BPR6HIX	4085
DV 50		50	1	-		0.7	BP6ES	7811		BPR6EIX	6637
FA 50		50	1	-		0.7	BPR4HS	7823			
FR 50		50	1	-		0.7	BPR4HS	7823			
FS 50		50	1	-		0.7	BP4HA	3511			
FS 50 Snip		50	1	-		0.7	BPR4HS	7823			
FZ 50		50	1	-		0.7	BPR4HS	7823			
GT 50		50	1	-		0.7	BP6HS	4511		BPR6HIX	4085

*Bitte Elektrodenabstand nach Angaben des Herstellers justieren

*Please adjust the ground electrode gap

*Veuillez vérifier l'écartement

* Por favor, ajustar la distancia entre los electrodos

*Regolare il gap

* Iridium IX Spark Plug is the standard recommendation





Stock No.

Quick No.

Upgrade ↑

Stock No. ↑

SUZUKI

GT 50 PE-B		50	1	-		0.7	BPR6HS	7022		BPR6HIX	4085
JR 50	JA13A	50	1	-1999		0.7	BP4HS	3611			
JR 50	JA143	50	1	2000-2006		0.7	BPR4HS	7823			
K 50		50	1	-		0.7	BP7HS	5111		BPR7HIX	5944
Maxi 50		50	1	-		0.6	B7HS	5110		BR7HIX	7067
OR 50		50	1	-		0.7	BP6HS	4511		BPR6HIX	4085
RG 50		50	1	-	Constr.Code W	0.8	BPR8ES	5170	Q213	BPR8EIX	6684
RG 50 KE		50	1	-		0.7	BP8ES	2912		BPR8EIX	6684
RMX 50		50	1	1996-	Constr.Code T / V / W / X / Y / K1	0.7	BPR8ES	5170	Q213	BPR8EIX	6684
RV 50		50	1	-	Constr.Code L / PN	0.7	BPR6HS	7022		BPR6HIX	4085
RV 50		50	1	-		0.7	BP6HS	4511		BPR6HIX	4085
SMX 50		50	1	1999-		0.7	BPR8ES	5170	Q213	BPR8EIX	6684
Suzy		50	1	1995-		0.7	BPR6HS	7022		BPR6HIX	4085
TR 50		50	1	-		0.7	BP-4H	3311			
TR 50 S Magic		50	1	1998-		0.7	BPR6HS	7022		BPR6HIX	4085
TR 50 S Streetmagic	AH3113	50	1	1998-1999	3hp	0.7	BPR6HS	7022		BPR6HIX	4085
TS 50		50	1	-	14mm Thread Size / 19mm Thread Reach	0.8	BP6ES	7811		BPR6EIX	6637
TS 50		50	1	-	14mm Thread Size / 12,7mm Thread Reach	0.7	BP6HS	4511		BPR6HIX	4085
TS 50 PC		50	1	-	Constr.Code / XAM R	0.7	BPR6HS	7022		BPR6HIX	4085
UF 50 Estilete	BA1111	50	1	2000-2001	3hp	0.6	BPR7HS	6422		BPR7HIX	5944
UX 50 Zillion	AT3112	50	1	1999-2000	4hp	0.6	BPR7HS	6422		BPR7HIX	5944
ZR 50		50	1	-		0.8	BP6ES	7811		BPR6EIX	6637
RM 65		65	1	2003-2003	Constr.Code K3	0.6	B10EG	3630			
RM 65	KXEBC	65	1	2004-2005	Constr.Code K4 17hp	0.7	BR10EG	3830			
DR-Z 70	JB41A	70	1	2008-	5hp	0.7	CR7HSA	4549		CR7HIX	7544
CP 80 CHF		80	1	-		0.7	BPR6HS	7022		BPR6HIX	4085
CS 80		80	1	-		0.7	BPR6HS	7022		BPR6HIX	4085
DS 80		80	1	1993-1994		0.7	B7ES	1111		BR7EIX	6664
DS 80		80	1	1995-		0.6	BPR7ES	2023		BPR7EIX	4055
FR 80		80	1	-		0.7	BPR6HS	7022		BPR6HIX	4085
JR 80		80	1	2001-		0.7	BPR7ES	2023		BPR7EIX	4055
JR 80		80	1	2002-	Constr.Code K2	0.8	BR7ES	5122		BR7EIX	6664
RG 80 EX		80	1	-		0.8	B8ES	2411	Q201	BR8EIX	5044
RG 80 WF		80	1	-	Italy	0.8	BPR7ES	2023		BPR7EIX	4055
RM 80	RD15C	80	1	2000-2001	Constr.Code Y 27hp	0.7	BR10ES	4832		BR10EIX	6801
RM 80 T		80	1	-		0.6	B10EG	3630			
RM 80 X		80	1	-	Constr.Code M / N / P / R / S / T / V	0.7	B10EG	3630			
RM 80 X	RC12A	80	1	1992-1996	Constr.Code N / P / R / S 27hp	0.7	BR10ES	4832		BR10EIX	6801
RM 80 X	RC12A	80	1	1996-1996	Constr.Code T	0.7	B8ES	2411	Q201	BR8EIX	5044
RMX 80		80	1	1996-	Constr.Code T / V / W / X / Y / K1	0.7	BR10ES	4832		BR10EIX	6801
RT 80 Z		80	1	-		0.7	B7ES	1111		BR7EIX	6664
TS 80 X	SA11A	80	1	-		0.7	BPR7ES	2023		BPR7EIX	4055
TS 80 XE		80	1	-	Constr.Code H	0.8	BP8ES	2912		BPR8EIX	6684
RM 85	RD16C	85	1	2002-2003	26hp	0.8	BR10ES	4832		BR10EIX	6801
RM 85	RD16C	85	1	2004-2013	29hp	0.8	BR10ES	4832		BR10EIX	6801
RM 85 L	RD17C	85	1	2003-2003	26hp	0.8	BR10ES	4832		BR10EIX	6801
RM 85 L	RD17C	85	1	2004-	29hp	0.8	BR10ES	4832		BR10EIX	6801
FM 90		90	1	-		0.7	BPR6HS	7022		BPR6HIX	4085
A 100		100	1	1995-		0.6	BP6HS	4511		BPR6HIX	4085

*Bitte Elektrodenabstand nach Angaben des Herstellers justieren

*Please adjust the ground electrode gap

*Veuillez vérifier l'écartement

* Por favor, ajustar la distancia entre los electrodos

*Regolare il gap

** Iridium IX Spark Plug is the standard recommendation





Stock No.

Quick No.

Upgrade ↑

Stock No. ↑

SUZUKI

AH 100 Adresse	CE12A	100	1	1995-1996	8hp	0.7	BPR7HS	6422		BPR7HIX	5944
FB 100		100	1	1995-		0.6	D8EA	2120	Q216	DR8EIX	6681
FB 100 D		100	1	1995-		0.6	D8EA	2120	Q216	DR8EIX	6681
GP 100		100	1	-	Italy	0.7	B8HS	5510		BR8HIX	7001
RM 100		100	1	-		0.6	BR9EIX**	3981			
RM 100		100	1	2004-		0.7	R6252K-105	2741			
RM 100 X		100	1	-		0.6	BR9EIX**	3981			
UG 110 Hokuto		110	1	1999-2002		0.6	BPR7HS	6422		BPR7HIX	5944
UK 110 NE Address		110	1	2015-	9hp	0.9	CPR7EA-9	3901		CPR7EAIX-9	9198
DR-Z 110	LX110A	111	1	2003-2005	6hp	0.7	CR6HSA	2983		CR6HIX	7274
Address 125		125	1	2007-		0.7	CR8E	4854	Q226	CR8EIX	4218
AN 125	CF42A	125	1	1995-1996	10hp	0.7	CR8E	4854	Q226	CR8EIX	4218
AN 125	CF42A	125	1	1995-1995	Constr.Code S	0.7	CR8E	4854	Q226	CR8EIX	4218
AN 125	CF42A	125	1	1996-1996	Constr.Code T/ V/ W/ X/ Y/	0.7	CR7E	4578	Q225	CR7EIX	7385
AN 125	CF42A	125	1	1997-1999	Constr.Code U 10hp	0.7	CR7E	4578	Q225	CR7EIX	7385
AN 125	CF42A	125	1	1997-1999	10hp	0.7	CR7E	4578	Q225	CR7EIX	7385
AN 125	CF42A	125	1	1997-1997	Constr.Code V	0.7	CR9E	6263	Q227	CR9EIX	3521
AN 125	CF42A	125	1	1998-1998	Constr.Code W	0.7	CR9E	6263	Q227	CR9EIX	3521
AN 125	CF42A	125	1	1999-1999	Constr.Code X	0.7	CR9E	6263	Q227	CR9EIX	3521
CS 125		125	1	-		0.7	DR8ES-L	2923	Q218	DR9EIX	4772
DF 125 E		125	1	1999-		0.7	DR8EA	7162		DR8EIX	6681
DF 125 EX		125	1	1999-		0.7	DR8EA	7162		DR8EIX	6681
DR 125 SE	SF44A	125	1	1995-2000		0.6	DR8EA	7162		DR8EIX	6681
DR 125 SEU	SF44A	125	1	1995-2000		0.6	DR8EA	7162		DR8EIX	6681
DR 125 SJ	SF43B	125	1	-		0.7	DR8ES-L	2923	Q218	DR9EIX	4772
DR 125 SM	CS1111	125	1	2008-2013	11hp	0.7	CR8E	4854	Q226	CR8EIX	4218
DR-Z 125 L	DF43B	125	1	2007-		0.7	DR8EA	7162		DR8EIX	6681
EN 125 2A		125	1	2003-2009		0.7	CR8E	4854	Q226	CR8EIX	4218
FL 125 DW		125	1	2007-2009		0.7	CR6HSA	2983		CR6HIX	7274
GP 125		125	1	-		0.7	B8HS	5510		BR8HIX	7001
GS 125 S		125	1	-1998		0.9	DR8ES-L	2923	Q218	DR9EIX	4772
GS 125 S		125	1	1999-		0.7	DR8EA	7162		DR8EIX	6681
GSX-R 125	DL33A	125	1	2017-	15hp	0.9	MR8E-9	90527			
GSX-S 125	DL32A	125	1	2017-	15hp	0.9	MR8E-9	90527			
GZ 125 Marauder	AP	125	1	1998-2003	10hp	0.7	DR8EA	7162		DR8EIX	6681
GZ 125 Marauder	AP	125	1	2004-2007	12hp	0.7	CR8E	4854	Q226	CR8EIX	4218
GZ 125 Marauder	AP1711	125	1	2008-2013	12hp	0.8	CR7E	4578	Q225	CR7EIX	7385
GZ 125 U Marauder	AP2111	125	1	1998-2004	8hp	0.7	DR8EA	7162		DR8EIX	6681
RC 125		125	1	-		0.6	B7HS	5110		BR7HIX	7067
RG 125 F Gamma	NF13	125	1	1992-1996	33hp	0.7	BR9ECM	3252		BR9ECMIX	2707
RG 125 FU Gamma	NF13	125	1	1992-1996	33hp	0.7	BR9ECM	3252		BR9ECMIX	2707
RG 125 P		125	1	-		0.7	BR9ECM	3252		BR9ECMIX	2707
RG 125 R		125	1	-		0.7	BR9ECM	3252		BR9ECMIX	2707
RG 125 U Wolf		125	1	-		0.7	BR9ECM	3252		BR9ECMIX	2707
RM 125	RF14	125	1	1993-1995		0.6	BR9EIX**	3981			
RM 125	RF15 / RF16	125	1	1996-2012		0.6	R6918B-8	4492			
RV 125 Van Van	BT1111	125	1	2003-2007	12hp	0.8	CR8E	4854	Q226	CR8EIX	4218
RV 125 Van Van	BT1111	125	1	2007-	12hp	0.7	CR8E	4854	Q226	CR8EIX	4218
Scooter 125	FL125SDW	125	1	2008-		0.7	CR6HSA	2983		CR6HIX	7274
TU 125 XT	AZ	125	1	1999-		0.7	DR8EA	7162		DR8EIX	6681
UC 125 U Epicuro	AX	125	1	1999-2003		0.7	CR8E	4854	Q226	CR8EIX	4218
UE 125 CT	BH1111	125	1	2001-2003	Netherlands / Italy	0.7	CR7E	4578	Q225	CR7EIX	7385

*Bitte Elektrodenabstand nach Angaben des Herstellers justieren

*Please adjust the ground electrode gap

*Veuillez vérifier l'écartement

* Por favor, ajustar la distancia entre los electrodos

*Regolare il gap

* Iridium IX Spark Plug is the standard recommendation





Stock No.

Quick No.

Upgrade ↑

Stock No. ↑

SUZUKI

UH 125 Burgman		125	1	2002-	Constr.Code K2>L4	0.7	CR8E	4854	Q226	CR8EIX	4218
UX 125 Sixteen		125	1	2007-		0.7	CR8E	4854	Q226	CR8EIX	4218
UX 125 Sixteen	CN1111	125	1	2008-2014	13hp	0.7	CR8E	4854	Q226	CR8EIX	4218
VL 125 LC Intruder	A4	125	1	2000-2008		0.6	CR8E	4854	Q226	CR8EIX	4218
VL 125 LC U Intruder	A4	125	1	2000-2008		0.6	CR8E	4854	Q226	CR8EIX	4218
AN 150 T		150	1	1996-		0.7	CR7E	4578	Q225	CR7EIX	7385
UH 150 Burgman	BR1111	150	1	2004-2006	15hp	0.7	CR8E	4854	Q226	CR8EIX	4218
UX 150 Sixteen	CP1111	150	1	2008-2010	15hp	0.7	CR8E	4854	Q226	CR8EIX	4218
TS 185 ER		185	1	1993-		0.8	BPR7ES	2023		BPR7EIX	4055
AN 200 Burgman		200	1	-		0.7	CR8EK	3478			
DR 200 S		200	1	-		0.6	DR8ES-L	2923	Q218	DR9EIX	4772
DR 200 SZ		200	1	1995-		0.6	DR8EA	7162		DR8EIX	6681
RV 200 Van Van	BT2211	200	1	2016-	14hp	0.7	DR8EA	7162		DR8EIX	6681
TS 200		200	1	-		0.8	BR9ES	5722		BR9EIX	3981
UH 200 Burgman	CD111	200	1	2007-2010	Constr.Code K7 18hp	0.7	CR8EK	3478			
AN 250 Burgman	AN1211	250	1	1998-1999	23hp	0.7	CR8EK	3478			
AN 250 Burgman		250	1	2004-		0.7	CR7EK	7546			
DL 250 V-Strom	DS12A	250	2	2017-	25hp	0.9	CPR7EA-9	3901		CPR7EAIX-9	9198
DR 250 SZ		250	1	1995-		0.8	DPR9EA-9	5329	Q222	DPR9EIX-9	5545
DR 250 SZ-H		250	1	-		0.7	DR8ES-L	2923	Q218	DR9EIX	4772
GN 250	NJ42A	250	1	1998-1999	17hp	0.7	DR8EA	7162		DR8EIX	6681
GN 250 EZ-J		250	1	-		0.7	DR8ES-L	2923	Q218	DR9EIX	4772
GT 250 A		250	2	-	14mm Thread Size / 12,7mm Thread Reach	0.7	B8HS	5510		BR8HIX	7001
GT 250 A		250	2	-	14mm Thread Size / 19mm Thread Reach	0.7	B9ES	2611	Q202	BR9EIX	3981
GT 250 AB	GT250	250	2	-		0.7	B9ES	2611	Q202	BR9EIX	3981
GT 250 B		250	2	-	14mm Thread Size / 12,7mm Thread Reach	0.7	B8HS	5510		BR8HIX	7001
GT 250 B		250	2	-	14mm Thread Size / 19mm Thread Reach	0.7	B9ES	2611	Q202	BR9EIX	3981
GT 250 C		250	2	-	14mm Thread Size / 12,7mm Thread Reach	0.7	B8HS	5510		BR8HIX	7001
GT 250 C		250	2	-	14mm Thread Size / 19mm Thread Reach	0.7	B9ES	2611	Q202	BR9EIX	3981
GW 250 Inazuma	DC11..	250	2	2013-	24hp	0.7	CR7E	4578	Q225	CR7EIX	7385
GZ 250 Marauder	AR12..	250	1	1999-2008	20hp	0.7	DR8EA	7162		DR8EIX	6681
RG 250 C		250	2	-	Constr.Code C / E/ H	0.7	BR9ES	5722		BR9EIX	3981
RG 250 FC		250	2	-	Constr.Code C / E/ H	0.7	BR9ES	5722		BR9EIX	3981
RG 250 G-C		250	2	-	Constr.Code C / E/ H	0.7	BR9ES	5722		BR9EIX	3981
RG 250 W		250	2	-	Constr.Code C / E/ H	0.7	BR9ES	5722		BR9EIX	3981
RM 250	RJ1	250	1	1993-2000		0.6	BR8EIX**	5044			
RM 250	RJ1	250	1	2001-2012		0.6	BR8EG	3130			
RM-Z 250	KX250NPA	250	1	2004-2006		0.6	CR8EB	7784			
RM-Z 250	RJ42A	250	1	2007-		1.0	CR8EIA-10	4708			
RM-Z 250	RJ42A	250	1	2014-	Constr.Code L4>>>	1.0	CR8EIB-10	4948			
TU 250 X Volty	AB1111	250	1	1997-1997	20hp	0.7	DR8ES-L	2923	Q218	DR9EIX	4772
TU 250 X Volty	AB1111	250	1	1998-2001	20hp	0.7	DR8EA	7162		DR8EIX	6681
VL 250 Intruder	A51	250	2	2000-2007		0.7	CR8E	4854	Q226	CR8EIX	4218
350 Goose		350	1	1993-		0.7	CR9EK	5600	Q230		
DR 350	DK41A	350	1	1994-1995	33hp	0.6	CR9EK	5600	Q230		
DR 350 S	SK42B	350	1	1994-1994	30hp	0.6	CR9EK	5600	Q230		
DR 350 SE	SK42	350	1	1994-1999	Italy	0.6	CR9EK	5600	Q230		

*Bitte Elektrodenabstand nach Angaben des Herstellers justieren

*Please adjust the ground electrode gap

*Veuillez vérifier l'écartement

* Por favor, ajustar la distancia entre los electrodos

*Regolare il gap

** Iridium IX Spark Plug is the standard recommendation





Stock No.

Quick No.

Upgrade ↑

Stock No. ↑

SUZUKI

DR 350 SH	SK42B	350	1	1992-1993	27hp	0.9	DPR9EA-9	5329	Q222	DPR9EIX-9	5545
DR 350 SH	SK42B	350	1	1994-1994	30hp	0.6	CR9EK	5600	Q230		
AN 400 A Burgman ABS	CG113	400	1	2009-2017		0.7	CR7E	4578	Q225	CR7EIX	7385
AN 400 Burgman	AU	400	1	1999-2002	33hp	0.7	CR7E	4578	Q225	CR7EIX	7385
AN 400 Burgman	BW	400	1	2003-2006	33hp	0.7	CR7E	4578	Q225	CR7EIX	7385
AN 400 Burgman	CG111	400	1	2007-2016	34hp	0.7	CR7E	4578	Q225	CR7EIX	7385
AN 400 Burgman	DU11A	400	1	2018-	31hp	0.9	CR7EIA-9	91175			
AN 400 S Burgman	BW112	400	1	2005-2006	33hp	0.7	CR7E	4578	Q225	CR7EIX	7385
AN 400 ZA Burgman ABS	CG114	400	1	2009-2016		0.7	CR7E	4578	Q225	CR7EIX	7385
AN 400 Z Burgman	CG112	400	1	2007-2008	34hp	0.7	CR7E	4578	Q225	CR7EIX	7385
DR-Z 400	BE111	400	1	2000-2004	49hp	0.6	CR8E	4854	Q226	CR8EIX	4218
DR-Z 400 E	BB111/BF111	400	1	2005-2007		0.6	CR8E	4854	Q226	CR8EIX	4218
DR-Z 400 S	BC111	400	1	2000-2009	40hp	0.6	CR8E	4854	Q226	CR8EIX	4218
DR-Z 400 SM	B8111/B8112	400	1	2005-2009	40hp	0.6	CR8E	4854	Q226	CR8EIX	4218
DR-Z 400 SMU	B8111	400	1	2005-2007	34hp	0.6	CR8E	4854	Q226	CR8EIX	4218
GSF 400 BANDIT	GK75	400	4	1993-1995		0.7	CR9EK	5600	Q230		
GSX 400 EF	GK53C	400	2	-		0.7	DR8ES-L	2923	Q218	DR9EIX	4772
GSX 400 FW		400	2	-		0.7	CR8HS	7423		CR8HIX	7669
GSX 400 SE	GK53C	400	2	-		0.7	DR8ES-L	2923	Q218	DR9EIX	4772
GSX-R400		400	2	1993-		0.7	CR9EK	5600	Q230		
GSX-R400 H		400	2	-		0.6	C8HSA	6821		CR8HIX	7669
VS 400		400	2	1995-		0.8	DPR8EA-9	4929	Q221	DPR8EIX-9	2202
RMX 450 Z	PL41A	450	1	2010-	50hp	1.0	CR8EIB-10	4948			
RM-Z 450	RL41C	450	1	2005-2006	57hp	1.0	CR8EIB-10	4948			
RM-Z 450	RL42A	450	1	2007-	57hp	1.0	DIMR8C10	92743			
RM 495		495	1	-		0.5	BR8EIX**	5044			
GS 500	BK3111/BK4111	500	2	2001-2006		0.9	DPR8EA-9	4929	Q221	DPR8EIX-9	2202
GS 500 F	BK2321	500	2	2001-2005		0.9	DPR8EA-9	4929	Q221	DPR8EIX-9	2202
GS 500 FH	BK	500	2	2007-2008		0.9	DPR8EA-9	4929	Q221	DPR8EIX-9	2202
GS 500 FM	BK	500	2	2007-2008		0.9	DPR8EA-9	4929	Q221	DPR8EIX-9	2202
GS 500 FU	BK4221	500	2	2004-2006		0.9	DPR8EA-9	4929	Q221	DPR8EIX-9	2202
GS 500 H	BK	500	2	2007-2008		0.9	DPR8EA-9	4929	Q221	DPR8EIX-9	2202
GS 500 HU	BK	500	2	2007-2008		0.9	DPR8EA-9	4929	Q221	DPR8EIX-9	2202
GS 500 U	BK3111/BK4111	500	2	2001-2006		0.9	DPR8EA-9	4929	Q221	DPR8EIX-9	2202
DR 600		600	1	-		0.9	DPR9EA-9	5329	Q222	DPR9EIX-9	5545
GSF 600 Bandit	A81121	600	4	2000-2004	78hp	0.7	CR9EK	5600	Q230		
GSF 600 Bandit	A81111	600	4	2000-2004	78hp	0.7	CR9EK	5600	Q230		
GSF 600 S Bandit	GN77B	600	4	1995-1999	78hp	0.7	CR9EK	5600	Q230		
GSF 600 SU Bandit	GN77B	600	4	1996-1999	34hp	0.6	CR9EK	5600	Q230		
GSF 600 SU Bandit	A82111	600	4	2000-2004	34hp	0.6	CR9EK	5600	Q230		
GSF 600 U Bandit	GN77B	600	4	1996-1999	34hp	0.6	CR9EK	5600	Q230		
GSF 600 U Bandit	A82121	600	4	2000-2004	34hp	0.6	CR9EK	5600	Q230		
GSF 600 Y Bandit	WVA8	600	4	2000-		0.6	CR9EK	5600	Q230		
GSR 600	B91111	600	4	2006-2010	98hp	0.7	CR9E	6263	Q227	CR9EIX	3521
GSR 600 A	B91121	600	4	2007-2011	98hp	0.7	CR9E	6263	Q227	CR9EIX	3521
GSR 600 U	B92111	600	4	2006-2010	34hp	0.7	CR9E	6263	Q227	CR9EIX	3521
GSR 600 UA	B92121	600	4	2007-2011	34hp	0.7	CR9E	6263	Q227	CR9EIX	3521
GSX 600 F	GN72B / AJ1213	600	4	1996-2001		0.7	CR9EK	5600	Q230		
GSX 600 FU	GN72B / AJ1213	600	4	1996-2001		0.7	CR9EK	5600	Q230		
GSX 600 FU2	GN72B / AJ1213	600	4	1996-2001		0.7	CR9EK	5600	Q230		

* Bitte Elektrodenabstand nach Angaben des Herstellers justieren

* Please adjust the ground electrode gap

* Veuillez vérifier l'écartement

* Por favor, ajustar la distancia entre los electrodos

* Regolare il gap

* Iridium IX Spark Plug is the standard recommendation





Stock No.

Quick No.

Upgrade ↑

Stock No. ↑

SUZUKI

GSX-R 600	BG2112 / B22111 / CE2111	600	4	1996-2007		0.7	CR9E	6263	Q227	CR9EIX	3521
GSX-R 600	CV2111 / CV3111	600	4	2008-		0.9	CR9EIA-9	6289			
GSX-R 600 U1	BG2112 / B22111 / CE2111	600	4	1996-2007		0.7	CR9E	6263	Q227	CR9EIX	3521
GSX-R 600 U1	CV2111 / CV3111	600	4	2008-		0.9	CR9EIA-9	6289			
GSX-R 600 U2	BG2112 / B22111 / CE2111	600	4	1996-2007		0.7	CR9E	6263	Q227	CR9EIX	3521
GSX-R 600 U2	CV2111 / CV3111	600	4	2008-		0.9	CR9EIA-9	6289			
GSX-R 600 U3	BG2112 / B22111 / CE2111	600	4	1996-2007		0.7	CR9E	6263	Q227	CR9EIX	3521
GSX-R 600 U3	CV2111 / CV3111	600	4	2008-		0.9	CR9EIA-9	6289			
GSX-R 600 UE	CV2111 / CV3111	600	4	2008-		0.9	CR9EIA-9	6289			
GSX-R 600 UF	CV2111 / CV3111	600	4	2008-		0.9	CR9EIA-9	6289			
RF 600 R	GN76B	600	4	1993-1996		0.7	CR9E	6263	Q227	CR9EIX	3521
RF 600 RU	GN76B	600	4	1993-1996		0.7	CR9E	6263	Q227	CR9EIX	3521
VS 600 GL Intruder	VN51B	600	2	1995-1997		0.9	DPR8EA-9	4929	Q221	DPR8EIX-9	2202
VS 600 GLU Intruder	VN51B	600	2	1995-1997		0.9	DPR8EA-9	4929	Q221	DPR8EIX-9	2202
AN 650 A Burgman Executive	BU1321	650	2	2004-2012	56hp	0.7	CR8E	4854	Q226	CR8EIX	4218
AN 650 Burgman	BU1111	650	2	2002-2011	56hp	0.7	CR8E	4854	Q226	CR8EIX	4218
AN 650 Burgman	BU1111	650	2	2013-2016	56hp	0.7	CR8E	4854	Q226	CR8EIX	4218
AN 650 L Burgman Executive	BU1114	650	2	2003-2003	56hp	0.7	CR8E	4854	Q226	CR8EIX	4218
AN 650 Z Burgman Executive	BU1121	650	2	2013-2017	56hp	0.7	CR8E	4854	Q226	CR8EIX	4218
AN 650 Z Burgman Executive	BU1427	650	2	2017-	56hp	0.7	CR8E	4854	Q226	CR8EIX	4218
DL 650 V-Strom	B11111	650	2	2004-2011	Twin Spark 67hp	0.8	CR8E	4854	Q226	CR8EIX	4218
DL 650 V-Strom A	B11121	650	2	2007-2011	Twin Spark 67hp	0.8	CR8E	4854	Q226	CR8EIX	4218
DL 650 V-Strom A	C72111	650	2	2012-2016	Twin Spark	0.9	CR8EIA-9	4286			
DL 650 V-Strom A	C71111	650	2	2012-2016	Twin Spark	0.9	CR8EIA-9	4286			
DL 650 V-Strom A	C733AZ	650	2	2017-	Twin Spark 71hp	0.9	MR8E-9	90527			
DL 650 V-Strom A U3	B12111	650	2	2004-2010	Twin Spark, Italy	0.8	CR8E	4854	Q226	CR8EIX	4218
DL 650 V-Strom A U3	B12121	650	2	2007-2011	Twin Spark 67hp	0.8	CR8E	4854	Q226	CR8EIX	4218
DL 650 V-Strom AUE	B12111	650	2	2004-2010	Twin Spark, Italy	0.8	CR8E	4854	Q226	CR8EIX	4218
DL 650 V-Strom AUE	B12121	650	2	2007-2011	Twin Spark 67hp	0.8	CR8E	4854	Q226	CR8EIX	4218
DL 650 V-Strom AUE	C743FZ	650	2	2017-	Twin Spark 48hp	0.9	MR8E-9	90527			
DL 650 V-Strom XT	C733AZ	650	2	2017-	Twin Spark 71hp	0.9	MR8E-9	90527			
DL 650 V-Strom XT A		650	2	2015-2016	Twin Spark	0.9	CR8EIA-9	4286			
DL 650 V-Strom XT AUE		650	2	2015-2016	Twin Spark	0.9	CR8EIA-9	4286			
DL 650 V-Strom XT AUE	C743FZ	650	2	2017-	Twin Spark 48hp	0.9	MR8E-9	90527			
DR 650 SE		650	1	1996-2000		0.8	CR10E	6264		CR10EIX	6482
GSF 650 A Bandit	B51141	650	4	2005-2006	78hp	0.6	CR8EK	3478			
GSF 650 A Bandit	CJ1241	650	4	2007-2013	86hp	0.7	CR9E	6263	Q227	CR9EIX	3521
GSF 650 Bandit	B51121	650	4	2005-2006	78hp	0.6	CR8EK	3478			
GSF 650 Bandit	CJ1221	650	4	2007-2013	86hp	0.7	CR9E	6263	Q227	CR9EIX	3521
GSF 650 Bandit N		650	4	2007-2007		0.9	CR9E	6263	Q227	CR9EIX	3521
GSF 650 Bandit S		650	4	2007-2007		0.9	CR9E	6263	Q227	CR9EIX	3521
GSF 650 SA Bandit	B51131	650	4	2005-2006	78hp	0.6	CR8EK	3478			
GSF 650 SA Bandit	CJ1131	650	4	2007-2014	86hp	0.8	CR8E	4854	Q226	CR8EIX	4218

*Bitte Elektrodenabstand nach Angaben des Herstellers justieren

*Please adjust the ground electrode gap

*Veuillez vérifier l'écartement

* Por favor, ajustar la distancia entre los electrodos

*Regolare il gap

** Iridium IX Spark Plug is the standard recommendation





Stock No.

Quick No.

Upgrade ↑

Stock No. ↑

SUZUKI

GSF 650 S Bandit	B51111	650	4	2005-2006	78hp	0.6	CR8EK	3478			
GSF 650 S Bandit	CJ1111	650	4	2007-2014	86hp	0.8	CR8E	4854	Q226	CR8EIX	4218
GSF 650 SUA Bandit	B52131	650	4	2005-2006	34hp	0.6	CR8EK	3478			
GSF 650 SUA Bandit	CJ2131	650	4	2007-2014	34hp	0.8	CR8E	4854	Q226	CR8EIX	4218
GSF 650 SU Bandit	B5211	650	4	2005-2006	34hp	0.6	CR8EK	3478			
GSF 650 SU Bandit	CJ2111	650	4	2007-2014	34hp	0.8	CR8E	4854	Q226	CR8EIX	4218
GSF 650 UA Bandit	B52131	650	4	2005-2006	34hp	0.6	CR8EK	3478			
GSF 650 UA Bandit	CJ2131	650	4	2007-2014	34hp	0.8	CR8E	4854	Q226	CR8EIX	4218
GSF 650 U Bandit	B5211	650	4	2005-2006	34hp	0.6	CR8EK	3478			
GSF 650 U Bandit	CJ2111	650	4	2007-2014	34hp	0.8	CR8E	4854	Q226	CR8EIX	4218
GSX 650 A	CJ13	650	4	2008-		0.7	CR8E	4854	Q226	CR8EIX	4218
GSX 650 F	CJ13	650	4	2008-		0.7	CR8E	4854	Q226	CR8EIX	4218
GSX 650 SA	CJ13	650	4	2008-		0.7	CR8E	4854	Q226	CR8EIX	4218
SFV 650 Gladius	CX	650	2	2009-2015	Twin Spark	0.9	CR8EIA-9	4286			
SV 650		650	2	1999-2016		0.7	CR8E	4854	Q226	CR8EIX	4218
SV 650		650	2	2007-2016		0.7	CR8E	4854	Q226	CR8EIX	4218
SV 650	CX123	650	2	2016-	76hp	0.9	MR8E-9	90527			
SV 650	CX243	650	2	2016-	48hp	0.9	MR8E-9	90527			
XF 650 Freewind	AC	650	1	1997-2002		0.7	CR10E	6264		CR10EIX	6482
DR 750 S	SR41B	750	1	-		0.9	DPR9EA-9	5329	Q222	DPR9EIX-9	5545
GS 750 D		750	4	-		0.7	B8ES	2411	Q201	BR8EIX	5044
GS 750 E		750	4	-		0.7	B8ES	2411	Q201	BR8EIX	5044
GS 750 L		750	4	-		0.7	B8ES	2411	Q201	BR8EIX	5044
GSR 750	C52111	750	4	2011-		0.9	CR9EIA-9	6289			
GSX 750	AE1213	750	4	1998-2003	86hp	0.7	CR9EK	5600	Q230		
GSX 750 F	AK1113	750	4	1998-2006		0.7	CR9EK	5600	Q230		
GSX 750 T		750	4	-		0.6	DR8ES-L	2923	Q218	DR9EIX	4772
GSX-R 750		750	4	1996-2007		0.7	CR9E	6263	Q227	CR9EIX	3521
GSX-R 750		750	4	2008-	150hp	0.9	CR9EIA-9	6289			
GSX-R 750 U2		750	4	2004-2007		0.7	CR9E	6263	Q227	CR9EIX	3521
GSX-R 750 U2		750	4	2008-2016		0.9	CR9EIA-9	6289			
GSX-R 750 UF		750	4	2008-2016		0.9	CR9EIA-9	6289			
GSX-R 750 W	GR7BB	750	4	1992-1993		0.7	CR9EK	5600	Q230		
GSX-R 750 W	GR7BB	750	4	1994-1995		0.6	CR9E	6263	Q227	CR9EIX	3521
GSX-R 750 X		750	4	2005-2005		0.6	CR9E	6263	Q227	CR9EIX	3521
GSX-R 750 XU2		750	4	2005-2005		0.6	CR9E	6263	Q227	CR9EIX	3521
GSX-S 750 A	C533AZ	750	4	2016-	114hp	0.9	CR9EIA-9	6289			
GSX-S 750 AZ	C533AZ	750	4	2016-	114hp	0.9	CR9EIA-9	6289			
GT 750		750	3	-		0.5	B7ES	1111		BR7EIX	6664
M 800 Intruder		800	2	2009-		0.6	DR7EA	7839		DR7EIX	5686
M 800 Z Intruder		800	2	2009-		0.6	DR7EA	7839		DR7EIX	5686
VL 800 C800B Intruder		800	2	2014-2016		0.6	DR7EA	7839		DR7EIX	5686
VL 800 C800B UE Intruder		800	2	2014-2016		0.6	DR7EA	7839		DR7EIX	5686
VL 800 C800C CUE Intruder	BM2114	800	2	2009-2016		0.6	DR7EA	7839		DR7EIX	5686
VL 800 C800C Intruder	BM1114	800	2	2007-2008	53hp	0.9	DPR7EA-9	5129	Q220	DPR7EIX-9	7803
VL 800 C800C Intruder	BM1114	800	2	2009-2016	53hp	0.6	DR7EA	7839		DR7EIX	5686
VL 800 C800 Intruder	BM1111	800	2	2006-2008		0.9	DPR7EA-9	5129	Q220	DPR7EIX-9	7803
VL 800 C800 Intruder	BM1111	800	2	2009-		0.6	DR7EA	7839		DR7EIX	5686
VL 800 C800 UE Intruder	BM2111	800	2	2006-2008		0.9	DPR7EA-9	5129	Q220	DPR7EIX-9	7803
VL 800 C800 UE Intruder	BM2111	800	2	2009-		0.6	DR7EA	7839		DR7EIX	5686
VL 800 Volusia	BM1111	800	2	2001-2005		0.9	DPR7EA-9	5129	Q220	DPR7EIX-9	7803

*Bitte Elektrodenabstand nach Angaben des Herstellers justieren

*Please adjust the ground electrode gap

*Veuillez vérifier l'écartement

* Por favor, ajustar la distancia entre los electrodos

*Regolare il gap

* Iridium IX Spark Plug is the standard recommendation





Stock No.

Quick No.

Upgrade ↑

Stock No. ↑

SUZUKI

VL 800 Z Volusia	BM1111	800	2	2001-2005		0.9	DPR7EA-9	5129	Q220	DPR7EIX-9	7803
VS 800 Intruder	VS52B	800	2	1992-2000	50hp	0.9	DPR8EA-9	4929	Q221	DPR8EIX-9	2202
VZ 800 M800 Intruder	B41111	800	2	2005-2008	53hp	0.9	DPR7EA-9	5129	Q220	DPR7EIX-9	7803
VZ 800 M800 Intruder	B41111	800	2	2009-2016	53hp	0.6	DR7EA	7839		DR7EIX	5686
VZ 800 M 800 UE Intruder	B42111	800	2	2009-2010	34hp	0.6	DR7EA	7839		DR7EIX	5686
VZ 800 M800 U Intruder	B42111	800	2	2005-2008	34hp	0.9	DPR7EA-9	5129	Q220	DPR7EIX-9	7803
VZ 800 M 800 U Intruder	B42111	800	2	2009-2010	34hp	0.6	DR7EA	7839		DR7EIX	5686
VZ 800 M800 Z Intruder		800	2	2007-2008		0.9	DPR7EA-9	5129	Q220	DPR7EIX-9	7803
VZ 800 M800 Z Intruder		800	2	2009-2009		0.6	DR7EA	7839		DR7EIX	5686
VZ 800 M800 ZU Intruder		800	2	2007-2008		0.9	DPR7EA-9	5129	Q220	DPR7EIX-9	7803
VZ 800 M800 ZU Intruder		800	2	2009-2009		0.6	DR7EA	7839		DR7EIX	5686
VZ 800 Marauder	AF1112	800	2	1997-2003		0.9	DPR8EA-9	4929	Q221	DPR8EIX-9	2202
GS 850 G		850	4	-		0.7	B8ES	2411	Q201	BR8EIX	5044
GS 850 GT E-G	GS72A	850	4	-		0.7	B9ES	2611	Q202	BR9EIX	3981
RF 900 R	GT73B	900	4	1994-1997		0.7	CR9E	6263	Q227	CR9EIX	3521
DL 1000 V-Strom	BS1111	1000	2	2002-2012	98hp	0.7	CR8EK	3478			
DL 1000 V-Strom		1000	2	2013-2013		0.9	CR8EIA-9	4286			
DL 1000 V-Strom	DD	1000	2	2014-	101hp	0.9	LMAR8BI-9	91909			
DL 1000 V-Strom XT	DD1245	1000	2	2017-	101hp	0.9	LMAR8BI-9	91909			
GSX-R 1000		1000	4	-1999		0.7	JR9B	4297	Q224	DR9EIX	4772
GSX-R 1000	BL111	1000	4	2001-2002		0.7	CR9E	6263	Q227	CR9EIX	3521
GSX-R 1000	BZ111/BZ211	1000	4	2003-2005		0.7	CR9E	6263	Q227	CR9EIX	3521
GSX-R 1000	B6111/B6211/ B6121	1000	4	2005-2006		0.7	CR9E	6263	Q227	CR9EIX	3521
GSX-R 1000	CL111/CL211	1000	4	2007-2008		0.9	CR9EIA-9	6289			
GSX-R 1000	CY111/CY211	1000	4	2009-2012		0.9	CR9EIA-9	6289			
GSX-R 1000	CY111/CY211	1000	4	2013-	185hp	0.9	CR9EIA-9	6289			
GSX-R 1000 R	DM11G	1000	4	2017-	202hp	0.9	CR9EIA-9	6289			
GSX-S 1000		1000	4	2015-	150hp	0.9	CR9EIA-9	6289			
GSX-S 1000 F		1000	4	2015-	150hp	0.9	CR9EIA-9	6289			
SV 1000 N	BX111	1000	2	2003-		0.7	CR8EK	3478			
SV 1000 S	BX1321	1000	2	2003-		0.7	CR8EK	3478			
TL 1000 R		1000	2	1998-	Italy	0.7	CR10EK	2360			
TL 1000 S	JS1AG	1000	2	1997-2000		0.7	CR8EK	3478			
GS 1100 E		1100	4	-		0.6	DR8ES-L	2923	Q218	DR9EIX	4772
GS 1100 G	GU71A	1100	4	-	Italy	0.8	B8ES	2411	Q201	BR8EIX	5044
GS 1100 GG	GU71A	1100	4	-	Italy	0.8	B8ES	2411	Q201	BR8EIX	5044
GS 1100 GT		1100	4	-		0.7	B8ES	2411	Q201	BR8EIX	5044
GSX-R 1100 W	GU75C	1100	4	1993-1997		0.7	CR9E	6263	Q227	CR9EIX	3521
GS 1150 EF		1150	4	-		0.7	D9EA	2420		DR9EIX	4772
GS 1150 ES		1150	4	-		0.7	D9EA	2420		DR9EIX	4772
GSF 1200 A Bandit		1200	4	2006-2006	98hp	0.7	JR9B	4297	Q224	DR9EIX	4772
GSF 1200 Bandit		1200	4	1996-2006	98hp	0.7	JR9B	4297	Q224	DR9EIX	4772
GSF 1200 SA Bandit		1200	4	1996-2000	98hp	0.7	JR9B	4297	Q224	DR9EIX	4772
GSF 1200 SA Bandit		1200	4	2005-2006	98hp	0.7	JR9B	4297	Q224	DR9EIX	4772
GSF 1200 S Bandit		1200	4	1996-2006	98hp	0.7	JR9B	4297	Q224	DR9EIX	4772
GSF 1200 SZ Bandit		1200	4	2005-2006	98hp	0.7	JR9B	4297	Q224	DR9EIX	4772
GSX 1200 Inazuma	A31111	1200	4	1999-2000	98hp	0.7	JR8B	7237		DR8EIX	6681
GSF 1250 Bandit		1250	4	2007-	98hp	0.6	CR7E	4578	Q225	CR7EIX	7385
GSX 1250 FA	CH1351	1250	4	2010-	98hp	0.6	CR7E	4578	Q225	CR7EIX	7385

*Bitte Elektrodenabstand nach Angaben des Herstellers justieren

*Please adjust the ground electrode gap

*Veuillez vérifier l'écartement

* Por favor, ajustar la distancia entre los electrodos

*Regolare il gap

** Iridium IX Spark Plug is the standard recommendation





Stock No.

Quick No.

Upgrade ↑

Stock No. ↑

SUZUKI

GSX 1300 R Hayabusa	WVA1	1300	4	1999-2007		0.7	CR9E	6263	Q227	CR9EIX	3521
GSX 1300 R Hayabusa		1300	4	2008-		0.9	CR9EIA-9	6289			
GSX 1300 BKA B-King		1340	4	2008-		0.9	CR9EIA-9	6289			
GSX 1300 BKA B-King	CR1121	1340	4	2008-2012	184hp	0.9	CR9EIA-9	6289			
GSX 1300 BK B-King	CR1111	1340	4	2008-2010	184hp	0.9	CR9EIA-9	6289			
GSX 1400	BN1111	1400	4	2001-2007	106hp	0.7	CR8EK	3478			
C 1500 T Intruder		1500	2	-		0.9	CPR6EA-9	6899		CPR6EAIX-9S	93921
C 1500 T Intruder		1500	2	2013-		0.9	CPR6EA-9	6899		CPR6EAIX-9S	93921
M 1500 Intruder		1500	2	2009-		0.7	CR6E	6965			
VL 1500 Intruder C	AL2111	1500	2	2005-2009	67hp	0.9	DPR7EA-9	5129	Q220	DPR7EIX-9	7803
VL 1500 Intruder LC	AL	1500	2	1998-2004		0.9	DPR7EA-9	5129	Q220	DPR7EIX-9	7803
VZ 1500 Intruder M1500	CU1111	1500	2	2009-2011		0.7	CR6E	6965			
VZ 1600 Marauder 1600		1600	2	2004-2005	73hp	0.9	DPR6EA-9	5531			
C1800 R Intruder		1800	2	2008-2013		0.7	CR8EK	3478			
M1800 R Intruder		1800	2	2006-		0.7	CR8EK	3478			
VLR 1800 Intruder		1800	2	2008-2011		0.7	CR8EK	3478			
VZR 1800 Intruder		1800	2	2006-		0.7	CR8EK	3478			

SV

Dakar 2		35	1	-		0.5	BPM6A	7021			
Dakar 3		35	1	-		0.5	BPM6A	7021			
Triciclo Mini-Dakar		35	1	-		0.5	BPM6A	7021			

SWM

RS 125 R		125	1	2016-	15hp	0.8	CR8E	4854	Q226	CR8EIX	4218
SM 125 R		125	1	2016-	15hp	0.8	CR8E	4854	Q226	CR8EIX	4218
RS 300 R		300	1	2016-	16hp	0.8	CR8EB	7784			
Gran Milano 440		440	1	2016-	30hp	0.7	DPR8Z	4730			
Gran Turismo 440		440	1	2016-	30hp	0.7	DPR8Z	4730			
Siver Vase 440		440	1	2016-	30hp	0.7	DPR8Z	4730			
RS 500 R		500	1	2016-	27hp	0.8	CR8EB	7784			
SM 500 R		500	1	2016-	27hp	0.8	CR8EB	7784			
Superdual T		600	1	2017-	54hp	0.8	CR8EB	7784			
Superdual X		600	1	2017-	54hp	0.8	CR8EB	7784			

SYM

Allo 50	AJ05W/AC05W	50	1	2010-	3hp	0.7	CR7HSA	4549		CR7HIX	7544
City Hopper 50		50	1	1998-2003		0.6	BR8HSA	5539			
Crox 50	AE05W6	50	1	2014-	3hp	0.7	CR6HSA	2983		CR6HIX	7274
DD 50		50	1	2002-2013		0.6	BR8HSA	5539			
Fancy 50		50	1	1996-		0.6	BR8HSA	5539			
Fiddle 50	FA05U	50	1	-		0.6	BR8HSA	5539			
Fiddle II 50		50	1	2008-2016		0.6	CR7HSA	4549		CR7HIX	7544
Fiddle III 50	XA05W	50	1	2014-	4hp	0.7	CR6HSA	2983		CR6HIX	7274
Flash 50	F5A	50	1	1996-	4hp	0.6	BR8HSA	5539			
Free 50	F5A	50	1	1996-	4hp	0.6	BR8HSA	5539			
G100-P2		50	1	-	6hp	0.7	BR6HSA	4461	Q210		
Jet 4 50		50	1	-	3hp	0.7	CR7HSA	4549		CR7HIX	7544
Jet 50		50	1	1996-2001		0.6	BR8HSA	5539			
Jet BasiX 50	BL05W	50	1	2013-2015	4hp	0.6	BR8HSA	5539			
Jet Euro X 50	BL05W	50	1	2003-2015		0.6	BR8HSA	5539			
Jet Sport X 50 R	BK05W	50	1	2007-2015	4hp	0.6	BR8HSA	5539			

*Bitte Elektrodenabstand nach Angaben des Herstellers justieren

*Please adjust the ground electrode gap

*Veuillez vérifier l'écartement

* Por favor, ajustar la distancia entre los electrodos

*Regolare il gap

* Iridium IX Spark Plug is the standard recommendation





Stock No.

Quick No.

Upgrade ↑

Stock No. ↑

SYM

Jet Sport X 50 SR	BK05W	50	1	2006-2015	4hp	0.6	BR8HSA	5539			
Jungle 50	GA05W	50	1	1997-2001	3hp	0.7	BR8HSA	5539			
Mask 50	BF05W	50	1	2003-2007		0.6	BR8HSA	5539			
Mio 50		50	1	2005-	4hp	0.7	CR6HSA	2983		CR6HIX	7274
Orbit 50	AV05W	50	1	2007-2009	3hp	0.6	CR7HSA	4549		CR7HIX	7544
Orbit II 50	AE05W	50	1	-	3hp	0.7	CR7HSA	4549		CR7HIX	7544
Pure 50		50	1	1996-	4hp	0.6	BR8HSA	5539			
Red Devil	BL05W	50	1	2003-2014		0.6	BR8HSA	5539			
RS 50		50	1	-		0.6	BR8HSA	5539			
RS 50	BS05W	50	1	2004-2009	4hp	0.6	BR8HSA	5539			
Shark		50	1	2000-		0.7	BPR8HS	3725		BPR8HIX	6742
Shark 50		50	1	-		0.6	BR8HSA	5539			
Shark 50	BS05W	50	1	2000-2003	4hp	0.6	BR8HSA	5539			
SK		50	1	2000-		0.7	BR8HSA	5539			
Super Fancy	G5H3	50	1	1996-2001	3hp	0.6	BR8HSA	5539			
Symphony SR 50		50	1	-	3hp	0.7	CR6HSA	2983		CR6HIX	7274
Symphony ST 50		50	1	2009-		0.7	CR7HSA	4549		CR7HIX	7544
Symply 50		50	1	2009-	3hp	0.7	CR7HSA	4549		CR7HIX	7544
Symply II 50		50	1	2009-	3hp	0.7	CR7HSA	4549		CR7HIX	7544
Jet 100		100	1	-		0.6	BR8HSA	5539			
Jet 100 Sport X S		100	1	-		0.6	BR8HSA	5539			
Jet 100 Sport X SR		100	1	-		0.6	BR8HSA	5539			
Mio 100		100	1	2006-2016	8hp	0.7	CR6HSA	2983		CR6HIX	7274
Mio 115		115	1	2017-	10hp	0.7	LR7D	90072			
Allo 125	AJ12W	125	1	2011-2016	9hp	0.7	CR7HSA	4549		CR7HIX	7544
Attila 125		125	1	1998-2000		0.6	CR7HSA	4549		CR7HIX	7544
Citycom 125		125	1	-	13hp	0.8	CR7E	4578	Q225	CR7EIX	7385
Crox 125	AE12W8	125	1	2015-	9hp	0.7	CR7HSA	4549		CR7HIX	7544
CT 125		125	1	2004-		0.7	DR8EA	7162		DR8EIX	6681
Euro MX 125		125	1	-		0.7	CR8E	4854	Q226	CR8EIX	4218
Euro MX 125 4V		125	1	2005-		0.7	CR8E	4854	Q226	CR8EIX	4218
Fiddle II 125		125	1	2008-2014		0.6	CR7HSA	4549		CR7HIX	7544
Fiddle III 125	XA12W	125	1	2014-	10hp	0.7	CR7HSA	4549		CR7HIX	7544
GTS 125		125	1	2006-		0.7	CR8E	4854	Q226	CR8EIX	4218
GTS 125 E2		125	1	-		0.7	CR8E	4854	Q226	CR8EIX	4218
GTS 125 E3		125	1	-		0.7	CR8E	4854	Q226	CR8EIX	4218
GTS 125i	LN12WD	125	1	-	15hp	0.9	CPR8EA-9	2306		CPR8EAIX-9	96067
GTS 125i	LN12WF	125	1	-	15hp	0.9	CPR8EA-9	2306		CPR8EAIX-9	96067
GTS 125 Voyager		125	1	2005-		0.8	CR8E	4854	Q226	CR8EIX	4218
GTS Sport 125i	LN12WE	125	1	-	15hp	0.9	CPR8EA-9	2306		CPR8EAIX-9	96067
GTS Sport 125i	LN12WC	125	1	-	15hp	0.9	CPR8EA-9	2306		CPR8EAIX-9	96067
GTS Voyager 125		125	1	-		0.7	CR8E	4854	Q226	CR8EIX	4218
HD 125		125	1	-2004		0.7	DR8EA	7162		DR8EIX	6681
HD 125		125	1	2005-2008		0.7	CR8E	4854	Q226	CR8EIX	4218
HD 125 EVO		125	1	2008-		0.7	CR7E	4578	Q225	CR7EIX	7385
HD 125 Orbit		125	1	2004-		0.7	CR8E	4854	Q226	CR8EIX	4218
HD 2		125	1	2010-		0.7	CR8E	4854	Q226	CR8EIX	4218
Husky 125		125	1	1997-		0.7	DR8EA	7162		DR8EIX	6681
Jet14 125i	XC12W1	125	1	-	10hp	0.7	CR7HSA	4549		CR7HIX	7544
Jet 4 125		125	1	-	9hp	0.7	CR7HSA	4549		CR7HIX	7544
Jet V 125		125	1	-	10hp	0.7	CR7HSA	4549		CR7HIX	7544
Joymax Sport 125i	LN12WC	125	1	-	15hp	0.9	CPR8EA-9	2306		CPR8EAIX-9	96067

*Bitte Elektrodenabstand nach Angaben des Herstellers justieren

*Please adjust the ground electrode gap

*Veuillez vérifier l'écartement

* Por favor, ajustar la distancia entre los electrodos

*Regolare il gap

** Iridium IX Spark Plug is the standard recommendation





Stock No.

Quick No.

Upgrade ↑

Stock No. ↑

SYM

Joyride 125		125	1	-2002		0.7	CR8E	4854	Q226	CR8EIX	4218
Joyride 125		125	1	2003-2004		0.6	CR7HSA	4549		CR7HIX	7544
Joyride 125 E2		125	1	2005-		0.7	CR8E	4854	Q226	CR8EIX	4218
Joyride 125 E3		125	1	2005-		0.7	CR8E	4854	Q226	CR8EIX	4218
Joyride 125 Evo		125	1	2005-		0.7	CR8E	4854	Q226	CR8EIX	4218
Joyride S 125i	LF12W2	125	1	-	14hp	0.9	CPR8EA-9	2306		CPR8EAIX-9	96067
Megalo 125		125	1	2001-		0.6	CR7HSA	4549		CR7HIX	7544
MG 125 Megalo		125	1	-		0.6	CR7HSA	4549		CR7HIX	7544
Orbit 125		125	1	-		0.6	CR7HSA	4549		CR7HIX	7544
Orbit II 125		125	1	-	9hp	0.7	CR7HSA	4549		CR7HIX	7544
RS 125 4V		125	1	2005-		0.7	CR8E	4854	Q226	CR8EIX	4218
Shark 125		125	1	1999-		0.8	CR8E	4854	Q226	CR8EIX	4218
SK 125		125	1	2001-		0.7	CR8E	4854	Q226	CR8EIX	4218
Super Duke 125		125	1	1996-		0.6	CR7HSA	4549		CR7HIX	7544
Symphony 125		125	1	2009-		0.7	CR7HSA	4549		CR7HIX	7544
Symply 125		125	1	2009-		0.7	CR7HSA	4549		CR7HIX	7544
Symply II 125		125	1	2009-		0.7	CR7HSA	4549		CR7HIX	7544
VS 125		125	1	-		0.7	CR7E	4578	Q225	CR7EIX	7385
Wolf 125		125	1	2005-2009		0.7	DR8EA	7162		DR8EIX	6681
Wolf 125		125	1	2010-		0.7	DR7EA	7839		DR7EIX	5686
X-Pro 125i	AE12WC	125	1	-	10hp	0.7	CR7HSA	4549		CR7HIX	7544
XS 125-K		125	1	-		0.7	DR8EA	7162		DR8EIX	6681
Fiddle II 150		150	1	2010-		0.7	CR7HSA	4549		CR7HIX	7544
Joyride 150		150	1	-		0.7	CR8E	4854	Q226	CR8EIX	4218
Symphony 150		150	1	2010-		0.7	CR7HSA	4549		CR7HIX	7544
VS 150		150	1	2007-		0.7	CR8E	4854	Q226	CR8EIX	4218
HD Orbit 180		180		2004-		0.7	CR8E	4854	Q226	CR8EIX	4218
Joyride 180		180		2002-		0.7	CR8E	4854	Q226	CR8EIX	4218
HD 2		200	1	2010-		0.7	CR7E	4578	Q225	CR7EIX	7385
HD 200		200	1	2005-		0.7	CR8E	4854	Q226	CR8EIX	4218
HD 200 dd E2		200	1	-		0.7	CR8E	4854	Q226	CR8EIX	4218
HD 200i EVO E3		200	1	-		0.7	CR7E	4578	Q225	CR7EIX	7385
Joyride 200		200	1	2005-		0.7	CR8E	4854	Q226	CR8EIX	4218
MaxSym 200		200	1	2010-		0.7	CR8E	4854	Q226	CR8EIX	4218
GTS 250		250	1	2006-		0.7	CR8E	4854	Q226	CR8EIX	4218
GTS 250 E2		250	1	-		0.7	CR8E	4854	Q226	CR8EIX	4218
GTS 250i E3		250	1	-		0.7	CR8E	4854	Q226	CR8EIX	4218
Joymax 250		250	1	2006-		0.7	CR8E	4854	Q226	CR8EIX	4218
Citycom 300i		300	1	-	21hp	0.7	CR8E	4854	Q226	CR8EIX	4218
Citycom S 300i		300	1	-	27hp	0.8	CR8E	4854	Q226	CR8EIX	4218
Cruisym 300i	LV301	300	1	2017-	27hp	0.8	CR8E	4854	Q226	CR8EIX	4218
GTS 300		300	1	-		0.7	CR8E	4854	Q226	CR8EIX	4218
GTS 300i	LN30W9	300	1	-	27hp	0.8	CR8E	4854	Q226	CR8EIX	4218
GTS 300i EVO	LM30W	300	1	-	23hp	0.8	CR8E	4854	Q226	CR8EIX	4218
GTS Sport 300i	LN30WA	300	1	-	27hp	0.8	CR8E	4854	Q226	CR8EIX	4218
Joymax 300i	LN30W9	300	1	-	27hp	0.8	CR8E	4854	Q226	CR8EIX	4218
Joymax Evo 300		300	1	2008-		0.7	CR8E	4854	Q226	CR8EIX	4218
Joymax Sport 300i	LN30WA	300	1	-	27hp	0.8	CR8E	4854	Q226	CR8EIX	4218
MaxSym 400		400	1	2010-2016		0.7	CR8E	4854	Q226	CR8EIX	4218
MaxSym 400i	LX40A4	400	1	-	35hp	0.9	CPR8EA-9	2306		CPR8EAIX-9	96067
500 GT		500	1	2004-		0.6	CR7EKB	4455			
500 XP		500	1	2004-		0.6	CR7EKB	4455			

*Bitte Elektrodenabstand nach Angaben des Herstellers justieren

*Please adjust the ground electrode gap

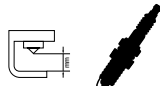
*Veuillez vérifier l'écartement

* Por favor, ajustar la distancia entre los electrodos

*Regolare il gap

* Iridium IX Spark Plug is the standard recommendation





Stock No.

Quick No.

Upgrade ↑

Stock No. ↑

SYM

MaxSym 600i	LX60A	600	1	-	45hp	0.8	CR8E	4854	Q226	CR8EIX	4218
-------------	-------	-----	---	---	------	-----	------	------	------	--------	------

T.G.M. Bimota

Akros 50		50	1	-		0.7	BP6HS	4511		BPR6HIX	4085
Ergon 50		50	1	-		0.7	BP6HS	4511		BPR6HIX	4085

TAMORETTI

Retro 50		50	1	2005-		0.7	CR7HSA	4549		CR7HIX	7544
Retro 125		125	1	2005-		0.7	CR7HSA	4549		CR7HIX	7544
Stealth 125		125	1	2005-		0.7	CR7HSA	4549		CR7HIX	7544

TGB

202 Classic		50	1	-		0.5	BPR7HS	6422		BPR7HIX	5944
202T Big Wheels		50	1	1998-		0.8	BPR7HS	6422		BPR7HIX	5944
302 Sport		50	1	2002-		0.7	BPR7HS	6422		BPR7HIX	5944
303 R Hawk		50	1	2002-		0.7	BPR7HS	6422		BPR7HIX	5944
AKROStec		50	1	2003-2005		0.7	BPR7HS	6422		BPR7HIX	5944
Bunny AS 50 X		50	1	-		0.6	BP6HS	4511		BPR6HIX	4085
Delivery		50	1	2003-		0.7	BPR7HS	6422		BPR7HIX	5944
Ergon		50	1	1998-		0.8	BPR7HS	6422		BPR7HIX	5944
KBX 50		50	1	-		0.6	BP6HS	4511		BPR6HIX	4085
R50X		50	1	2005-		0.7	BPR7HS	6422		BPR7HIX	5944
202T Palio		125	1	1998-		0.7	C7HSA	4629		CR7HIX	7544
202T Palio		125	1	1998-	FR	0.7	CR7HSA	4549		CR7HIX	7544
204 Classic		125	1	2002-2007		0.7	CR7HSA	4549		CR7HIX	7544
303 R		125	1	-		0.7	CR7HSA	4549		CR7HIX	7544
303 R Hawk		125	1	2007-		0.7	CR7HSA	4549		CR7HIX	7544
304 Sport		125	1	2002-		0.7	CR7HSA	4549		CR7HIX	7544
309 RS		125	1	-		0.7	CR7HSA	4549		CR7HIX	7544
404 Executive		125	1	2002-2007		0.7	CR7HSA	4549		CR7HIX	7544
Delivery		125	1	2005-		0.7	CR7HSA	4549		CR7HIX	7544
F409		125	1	-		0.7	CR7HSA	4549		CR7HIX	7544
Laser		125	1	-		0.7	CR7HSA	4549		CR7HIX	7544
R125X		125	1	2008-		0.7	CR7HSA	4549		CR7HIX	7544
303R		150	1	-		0.7	CR7HSA	4549		CR7HIX	7544
309RS		150	1	-		0.7	CR7HSA	4549		CR7HIX	7544
F409		150	1	-		0.7	CR7HSA	4549		CR7HIX	7544
Laser		150	1	-		0.7	CR7HSA	4549		CR7HIX	7544

TITAN

Coyote		1573	2	1997-2003		0.7	BPR5ES	7422		BPR5EIX	6597
Fat Bobber		1573	2	2008-	S&S	1.1	BPR5ES-11	4424		BPR5EIX-11	2115
Gecko		1573	2	1997-2003		0.7	BPR5ES	7422		BPR5EIX	6597
Roadrunner		1573	2	1997-2003		0.7	BPR5ES	7422		BPR5EIX	6597
Scorpion		1573	2	1997-2003		0.7	BPR5ES	7422		BPR5EIX	6597
Sidewinder		1573	2	1997-2003		0.7	BPR5ES	7422		BPR5EIX	6597
Custom Pro Street		1753	2	-	S&S	1.1	BPR5ES-11	4424		BPR5EIX-11	2115
Custom Rubber Mount Chopper		1852	2	-	S&S	1.1	BPR5ES-11	4424		BPR5EIX-11	2115
Custom Softail Chop- per		1852	2	-	S&S	1.1	BPR5ES-11	4424		BPR5EIX-11	2115
Radical Rigid		1852	2	-	S&S	1.1	BPR5ES-11	4424		BPR5EIX-11	2115
Custom Rubber Mount Chopper		2003	2	-	S&S	0.8	DCPR7E	3932		DCPR7EIX	6046
Custom Softail Choppe		2003	2	-	S&S	0.8	DCPR7E	3932		DCPR7EIX	6046
Radical Rigid		2003	2	-	S&S	0.8	DCPR7E	3932		DCPR7EIX	6046

*Bitte Elektrodenabstand nach Angaben des Herstellers justieren

*Please adjust the ground electrode gap

*Veuillez vérifier l'écartement

* Por favor, ajustar la distancia entre los electrodos

*Regolare il gap

** Iridium IX Spark Plug is the standard recommendation





Stock No.

Quick No.

Upgrade ↑

Stock No. ↑

TM RACING

Cross 80		80	1	1994-		0.6	B9EG	3530			
Cross 80		80	1	1994-	FR	0.6	BR9EG	3230			
Enduro 80		80	1	1994-		0.6	B9EG	3530			
Enduro 80		80	1	1994-	FR	0.6	BR9EG	3230			
Cross 125		125	1	1994-		0.6	B10EG	3630			
Cross 125		125	1	1994-	FR	0.6	BR9EG	3230			
EN 125		125	1	2003-		0.6	BR9EG	3230			
Enduro 125		125	1	1994-		0.6	B10EG	3630			
Enduro 125		125	1	1994-	FR	0.6	BR9EG	3230			
MX 125 Racing		125	1	2005-		0.6	BR9EG	3230			
Cross 250		250	1	1994-		0.6	B9EG	3530			
Cross 250		250	1	1994-	FR	0.6	BR8EG	3130			
EN 250		250	1	2003-		0.5	BR8EG	3130			
EN 250		250	1	2005-		0.7	CR8E	4854	Q226	CR8EIX	4218
EN 250		250	1	2005-		0.6	BR8EG	3130			
EN 250 Cross		250	1	2001-		0.7	CR8E	4854	Q226	CR8EIX	4218
EN 250 Enduro		250	1	2001-		0.7	CR8E	4854	Q226	CR8EIX	4218
EN 250 F		250	1	2004-		0.7	CR8E	4854	Q226	CR8EIX	4218
Enduro 250		250	1	1994-		0.6	B9EG	3530			
Enduro 250		250	1	1994-	FR	0.6	BR8EG	3130			
Cross 300		300	1	-		0.6	B9EG	3530			
Cross 300		300	1	1994-		0.6	BR9EG	3230			
EN 300		300	1	2003-		0.5	BR8EG	3130			
Enduro 300		300	1	-		0.6	B9EG	3530			
Enduro 300		300	1	1994-		0.6	BR9EG	3230			
Cross 400		400	1	2002-		0.7	CR8E	4854	Q226	CR8EIX	4218
Enduro 400		400	1	2002-		0.7	CR8E	4854	Q226	CR8EIX	4218
EN 450		450	1	2005-		0.7	CR8E	4854	Q226	CR8EIX	4218
EN 450 F		450	1	2004-		0.7	CR8E	4854	Q226	CR8EIX	4218
MX 450 Racing		450	1	2005-		0.7	CR8E	4854	Q226	CR8EIX	4218
EN 530		530	1	2005-		0.7	CR8E	4854	Q226	CR8EIX	4218
MX 530 Racing		530	1	2005-		0.7	CR8E	4854	Q226	CR8EIX	4218

TNG

Venice 492		50	1	-		0.7	BP7HS	5111		BPR7HIX	5944
Del Ray 125		125	1	-		0.7	C7HSA	4629		CR7HIX	7544
Milano 125		125	1	-		0.7	C7HSA	4629		CR7HIX	7544
Baja 150		150	1	-		0.6	C7HSA	4629		CR7HIX	7544
Milano 150		150	1	-		0.7	C7HSA	4629		CR7HIX	7544

TOKAIDO

RC 25		25	1	-		0.8	B5HS	4210			
2000 K50		50	1	1996-		0.6	BR7HS	4737		BR7HIX	7067
50 V		50	1	-		0.6	BP7HS	5111		BPR7HIX	5944
SM 50		50	1	-		0.6	BP7HS	5111		BPR7HIX	5944
SM 50/1		50	1	-		0.6	BP7HS	5111		BPR7HIX	5944

TOMOS

Forza		49	1	-		0.6	BPR8HS	3725		BPR8HIX	6742
Quadro 25		49	1	-		0.6	B6HS	4510		BR6HIX	3419
Super Tom		50	1	-		0.8	B7HS	5110		BR7HIX	7067
Tomos		50	1	-		0.5	B7HS	5110		BR7HIX	7067
Tomos Cross		50	1	-		0.5	B8HS	5510		BR8HIX	7001
Tomos		80	1	-		0.5	B7HS	5110		BR7HIX	7067

* Bitte Elektrodenabstand nach Angaben des Herstellers justieren

* Please adjust the ground electrode gap

* Veuillez vérifier l'écartement

* Por favor, ajustar la distancia entre los electrodos

* Regolare il gap

* Iridium IX Spark Plug is the standard recommendation





Stock No.

Quick No.

Upgrade ↑

Stock No. ↑

TORPADO

Derby Automatic		50	1	-		0.6	B6HS	4510		BR6HIX	3419
Derby Deluxe		50	1	-		0.5	B5HS	4210			
Golf Deluxe		50	1	-		0.5	B5HS	4210			
Green		50	1	-		0.5	B5HS	4210			
Green Deluxe		50	1	-		0.5	B5HS	4210			

TRIUMPH

Twins with 3/4"		250		-		0.6	B8ES	2411	Q201	BR8EIX	5044
Daytona 600		600	4	2003-2004	110hp	0.7	CR9EK	5600	Q230		
Speed Four 600		600	4	2002-2005		0.7	CR9EK	5600	Q230		
Speed Triple S 600		600	4	2002-		0.7	CR9EK	5600	Q230		
TT 600		600	4	1999-2003		0.7	CR9EK	5600	Q230		
Daytona 650		650	4	2004-2005		0.7	CR9EK	5600	Q230		
Daytona 675	D67LC	675	3	2006-2012		0.7	CR9EK	5600	Q230		
Daytona 675		675	3	2013-		0.7	CR9EIA-9	6289			
Daytona 675		675	3	2013-2013		0.7	CR9EIA-9	6289			
Daytona 675 R		675	3	2011-2012		0.7	CR9EIA-9	6289			
Daytona 675 R		675	3	2013-		0.7	CR9EIA-9	6289			
Daytona 675 RR		675	3	2006-2008		0.7	CR9EK	5600	Q230		
Street Triple 675		675	3	2007-2011	108hp	0.7	CR9EK	5600	Q230		
Street Triple 675 R		675	3	2008-2011	108hp	0.7	CR9EK	5600	Q230		
Speed Triple 750		750	3	1994-1997		0.9	DPR8EA-9	4929	Q221	DPR8EIX-9	2202
America		790	2	2002-2006		0.9	DPR8EA-9	4929	Q221	DPR8EIX-9	2202
Bonneville	T100	790	2	2002-2004		0.9	DPR8EA-9	4929	Q221	DPR8EIX-9	2202
Bonneville America		790	2	2002-2006		0.9	DPR8EA-9	4929	Q221	DPR8EIX-9	2202
Bonneville Black		790	2	2000-2006		0.9	DPR8EA-9	4929	Q221	DPR8EIX-9	2202
Speedmaster		790	2	2001-		0.9	DPR8EA-9	4929	Q221	DPR8EIX-9	2202
Bonneville 800		800	2	2001-2006		0.9	DPR8EA-9	4929	Q221	DPR8EIX-9	2202
Tiger 800		800	3	2010-	95hp	0.7	CR9EK	5600	Q230		
Tiger 800 XC		800	3	2010-	95hp	0.7	CR9EK	5600	Q230		
Tiger 800 XRT		800	3	2015-	95hp	0.7	CR9EK	5600	Q230		
America 865		865	2	2006-		0.9	DPR8EA-9	4929	Q221	DPR8EIX-9	2202
Bonneville 865		865	2	2005-2016		0.9	DPR8EA-9	4929	Q221	DPR8EIX-9	2202
Scrambler 865		865	2	2006-		0.9	DPR8EA-9	4929	Q221	DPR8EIX-9	2202
Speedmaster 865		865	2	2005-		0.9	DPR8EA-9	4929	Q221	DPR8EIX-9	2202
Thruxton 865		865	2	2003-2015		0.9	DPR8EA-9	4929	Q221	DPR8EIX-9	2202
Thruxton 865 SE		865	2	2010-		0.9	DPR8EA-9	4929	Q221	DPR8EIX-9	2202
Adventurer 900		900	3	1996-2001		0.9	DPR8EA-9	4929	Q221	DPR8EIX-9	2202
Bonneville 900 EFI	T100	900	2	2017-	55hp	0.9	LMAR8A-9	4313			
Daytona 900 Super III		900	3	1994-1996		0.9	DPR8EA-9	4929	Q221	DPR8EIX-9	2202
Legend 900 TT		900	3	1998-2001		0.9	DPR9EA-9	5329	Q222	DPR9EIX-9	5545
Scrambler 900		900	2	2006-		0.9	DPR8EA-9	4929	Q221	DPR8EIX-9	2202
Speedmaster 900		900	2	2005-		0.9	DPR8EA-9	4929	Q221	DPR8EIX-9	2202
Speed Triple 900		900	3	1994-1996		0.9	DPR8EA-9	4929	Q221	DPR8EIX-9	2202
Speed Triple 900	T509	900	3	1997-		0.9	DPR8EA-9	4929	Q221	DPR8EIX-9	2202
Sprint 900		900	3	1993-1996		0.9	DPR8EA-9	4929	Q221	DPR8EIX-9	2202
Street Cup 900 EFI		900	2	2017-	55hp	0.9	LMAR8A-9	4313			
Street Twin 900 EFI		900	2	2016-	55hp	0.9	LMAR8A-9	4313			
Thruxton 900		900	2	2004-		0.9	DPR8EA-9	4929	Q221	DPR8EIX-9	2202
Thunderbird 900		900	3	1995-2004		0.9	DPR8EA-9	4929	Q221	DPR8EIX-9	2202
Thunderbird 900 Sport		900	3	1998-2004		0.9	DPR8EA-9	4929	Q221	DPR8EIX-9	2202
Tiger 900		900	3	1993-1998		0.9	DPR8EA-9	4929	Q221	DPR8EIX-9	2202
Tiger 900	T709	900	3	1998-2001		0.9	DPR8EA-9	4929	Q221	DPR8EIX-9	2202

* Bitte Elektrodenabstand nach Angaben des Herstellers justieren

* Please adjust the ground electrode gap

* Veuillez vérifier l'écartement

* Por favor, ajustar la distancia entre los electrodos

* Regolare il gap

** Iridium IX Spark Plug is the standard recommendation





Stock No.

Quick No.

Upgrade ↑

Stock No. ↑

TRIUMPH

Daytona 955i	T595	955	3	1997-2001		0.9	DPR8EA-9	4929	Q221	DPR8EIX-9	2202
Daytona 955i	595N	955	3	2002-2006		0.6	CR9EK	5600	Q230		
Speed Triple 955		955	3	1998-2001		0.9	DPR8EA-9	4929	Q221	DPR8EIX-9	2202
Speed Triple 955		955	3	2002-2004		0.6	CR9EK	5600	Q230		
Sprint 955 RS		955	3	1999-2000		0.9	DPR8EA-9	4929	Q221	DPR8EIX-9	2202
Sprint 955 RS		955	3	2001-2005		0.6	CR9EK	5600	Q230		
Sprint 955 ST		955	3	1998-2000		0.9	DPR8EA-9	4929	Q221	DPR8EIX-9	2202
Sprint 955 ST		955	3	2001-		0.6	CR9EK	5600	Q230		
Tiger 955i		955	3	2001-2007		0.9	DPR8EA-9	4929	Q221	DPR8EIX-9	2202
HM 1050		1050	3	2007-		0.7	CR9EK	5600	Q230		
Speed 1050 Triple		1050	3	2005-		0.7	CR8EK	3478			
Speed 94		1050	3	2015-		0.7	CR8EK	3478			
Speed 94R		1050	3	2015-		0.7	CR8EK	3478			
Sprint 1050 GT		1050	3	2010-		0.7	CR8EK	3478			
Sprint 1050 ST		1050	3	2005-		0.7	CR8EK	3478			
Tiger 1050		1050	3	2006-		0.7	CR8EK	3478			
Tiger Sport 1050		1050	3	2013-		0.7	CR8EK	3478			
Bonneville 1200 EFI	T120	1200	2	2016-	80hp	0.9	LMAR8A-9	4313			
Daytona 1200		1200	4	1993-2000		0.9	DPR8EA-9	4929	Q221	DPR8EIX-9	2202
Thruxton 1200 EFI		1200	2	2016-	97hp	0.9	LMAR8A-9	4313			
Thruxton 1200 R EFI		1200	2	2016-	97hp	0.9	LMAR8A-9	4313			
Tiger 1200		1200	3	2012-	141hp	0.7	CR8EK	3478			
Trophy 1200		1200	3	2012-		0.7	CR8EK	3478			
Thunderbird 1600		1600	2	2009-	Twin Spark	0.9	DPR6EA-9	5531			
Thunderbird Storm 1600		1600	2	2009-		0.9	DPR6EA-9	5531			
Thunderbird 1700 LT		1700	2	2014-	Twin Spark	0.9	DPR6EA-9	5531			
Thunderbird Commander 1700		1700	2	2014-	Twin Spark	0.9	DPR6EA-9	5531			
Thunderbird Storm 1700		1700	2	2011-	Twin Spark	0.9	DPR6EA-9	5531			
Rocket 2300 III		2300	3	2004-	Twin Spark	0.9	DPR7EA-9	5129	Q220	DPR7EIX-9	7803
Rocket 2300 III Classic		2300	3	2006-	Twin Spark, Italy	0.9	DPR7EA-9	5129	Q220	DPR7EIX-9	7803
Rocket 2300 III Roadster		2300	3	2009-	Twin Spark	0.9	DPR7EA-9	5129	Q220	DPR7EIX-9	7803
Rocket 2300 III Touring		2300	3	2008-	Twin Spark	0.9	DPR7EA-9	5129	Q220	DPR7EIX-9	7803

TROTILEX

Trotilex 50		50	1	-		0.5	B-4H	4110			
--------------------	--	----	---	---	--	-----	------	------	--	--	--

URAL

Deco Cruiser		648	2	1997-		0.6	BP4HS	3611			
Italia Cruiser		648	2	1997-		0.6	BP4HS	3611			
Solo Cruiser		648	2	1997-		0.6	BP4HS	3611			
Sportsman Classic		648	2	1997-		0.6	BP4HS	3611			
Tourist Classic		648	2	1997-		0.6	BP4HS	3611			
IMZ-10		650	2	-		0.6	BP4HS	3611			
IMZ-40		650	2	-		0.6	BP4HS	3611			
IMZ-50		650	2	-		0.6	BP4HS	3611			
M3-8.103		650	2	-	32hp	0.5	BP5HS	4111			
M3-8.123		650	2	-	36hp	0.7	BP6ES	7811		BPR6EIX	6637
Solo Single		650	2	1994-1996		0.6	BP4HS	3611			
Sportsman		650	2	1994-1996		0.6	BP4HS	3611			
Tourist Sidecar		650	2	1994-1996		0.6	BP4HS	3611			
Ural		745	2	-		0.5	BP7HS	5111		BPR7HIX	5944

* Bitte Elektrodenabstand nach Angaben des Herstellers justieren

* Please adjust the ground electrode gap

* Veuillez vérifier l'écartement

* Por favor, ajustar la distancia entre los electrodos

* Regolare il gap

* Iridium IX Spark Plug is the standard recommendation





Stock No.

Quick No.

Upgrade ↑

Stock No. ↑

URAL

Tourist		750	2	-		0.5	B7HS	5110		BR7HIX	7067
---------	--	-----	---	---	--	-----	------	------	--	--------	------

URAL AMERICA

Bavarian Classic		650	2	1999-		*	BPR8HIX**	6742			
Deco Classic		650	2	1997-1998		0.7	BP7HS	5111		BPR7HIX	5944
Deco Classic		650	2	1999-		*	BPR8HIX**	6742			
Deco Cruiser		650	2	1998-		0.7	BP7HS	5111		BPR7HIX	5944
Italia Cruiser		650	2	1994-1997		0.7	BP7HS	5111		BPR7HIX	5944
Italia Cruiser II		650	2	1998-		0.7	BP7HS	5111		BPR7HIX	5944
Patrol Classic		650	2	1999-		*	BPR8HIX**	6742			
Solo Classic		650	2	1999-		*	BPR8HIX**	6742			
Solo Cruiser		650	2	1998-		0.7	BP7HS	5111		BPR7HIX	5944
Solo Single		650	2	1994-1997		0.7	BP7HS	5111		BPR7HIX	5944
Sportsman		650	2	1994-1996		0.7	BP7HS	5111		BPR7HIX	5944
Sportsman Classic		650	2	1997-1998		0.7	BP7HS	5111		BPR7HIX	5944
Tourist Classic		650	2	1997-1998		0.7	BP7HS	5111		BPR7HIX	5944
Tourist Classic		650	2	1999-		*	BPR8HIX**	6742			
Tourist Sidecar		650	2	1994-1997		0.7	BP7HS	5111		BPR7HIX	5944

VALENTI

CR 80W Cross		80	1	-	YAMAHA	0.5	BR10EIX**	6801			
--------------	--	----	---	---	--------	-----	-----------	------	--	--	--

VELOCIFERO

Velocifero 50		50	1	-		0.6	B8HS	5510		BR8HIX	7001
---------------	--	----	---	---	--	-----	------	------	--	--------	------

VERTEMATI

S 501		500	1	2009-		0.7	CR9EK	5600	Q230		
SR 501		500	1	2009-		0.7	CR9EK	5600	Q230		
E 450		503	1	2009-		0.7	CR9EK	5600	Q230		
E 450 E		503	1	2009-		0.7	CR9EK	5600	Q230		
E 501		503	1	2009-	Italy	0.7	CR9EK	5600	Q230		
E 501 E		503	1	2009-		0.7	CR9EK	5600	Q230		
E 570		503	1	2009-	Italy	0.7	CR9EK	5600	Q230		
E 570 E		503	1	2009-	Italy	0.7	CR9EK	5600	Q230		
S 570		570	1	2003-		0.7	CR9EK	5600	Q230		

VICTORY

8-Ball		1500	2	2005-		0.9	CPR6EB-9	5958			
Classic Cruiser		1500	2	2003-		0.9	CPR6EB-9	5958			
Cruiser		1500	2	1998-2001		1.0	DCPR6E	3481		DCPR6EIX	8196
Cruiser		1500	2	2002-		0.9	CPR6EB-9	5958			
Hammer		1500	2	2005-		0.9	CPR6EB-9	5958			
Kingpin		1500	2	2004-2005		0.9	CPR6EB-9	5958			
Kingpin Ness Signature		1500	2	2005-		0.9	CPR6EB-9	5958			
Spezial Edition		1500	2	2000-		1.0	DCPR6E	3481		DCPR6EIX	8196
Sport Cruiser		1500	2	2000-2001		1.0	DCPR6E	3481		DCPR6EIX	8196
Standard Cruiser		1500	2	1999-2002		1.0	DCPR6E	3481		DCPR6EIX	8196
Touring Cruiser		1500	2	2000-2001		1.0	DCPR6E	3481		DCPR6EIX	8196
Touring Cruiser		1500	2	2002-2005		0.9	CPR6EB-9	5958			
Vegas		1500	2	2003-2005		0.9	CPR6EB-9	5958			
Vegas ANSS		1500	2	2004-		0.9	CPR6EB-9	5958			
Vegas Ness Signature		1500	2	2005-		0.9	CPR6EB-9	5958			
V92C		1507	2	1999-2001		1.0	DCPR6E	3481		DCPR6EIX	8196
V92C		1507	2	2002-2004		0.8	CPR6EB-9	5958			

*Bitte Elektrodenabstand nach Angaben des Herstellers justieren

*Please adjust the ground electrode gap

*Veuillez vérifier l'écartement

* Por favor, ajustar la distancia entre los electrodos

*Regolare il gap

** Iridium IX Spark Plug is the standard recommendation





Stock No.

Quick No.

Upgrade ↑

Stock No. ↑

VICTORY

Vegas Low		1631	2	2008-		1.0	DCPR6E	3481		DCPR6EIX	8196
Hammer		1634	2	2006-	Engine Freedom	0.9	CPR6EB-9	5958			
Hammer 8-Ball		1634	2	2005-		0.9	CPR6EB-9	5958			
Kingpin		1634	2	2006-		0.9	CPR6EB-9	5958			
Kingpin		1634	2	2008-		1.0	DCPR6E	3481		DCPR6EIX	8196
Kingpin 8-Ball		1634	2	2005-		0.9	CPR6EB-9	5958			
Kingpin 8-Ball		1634	2	2008-		1.0	DCPR6E	3481		DCPR6EIX	8196
Ness Signature Jackpot		1634	2	2006-	Engine Freedom	0.9	CPR6EB-9	5958			
Touring Cruiser		1634	2	2006-	Engine Freedom	0.9	CPR6EB-9	5958			
Vegas		1634	2	2005-		0.9	CPR6EB-9	5958			
Vegas		1634	2	2006-	Engine Freedom	0.9	CPR6EB-9	5958			
Vegas 8-Ball		1634	2	2005-		0.9	CPR6EB-9	5958			
Vegas 8-Ball		1634	2	2006-	Engine Freedom	0.9	CPR6EB-9	5958			
Vegas Jackpot		1634	2	2005-		0.9	CPR6EB-9	5958			
Vegas Jackpot		1634	2	2006-	Engine Freedom	0.9	CPR6EB-9	5958			
8-Ball		1700	2	2011-		0.9	DCPR6E	3481		DCPR6EIX	8196
Cross Country		1700	2	2011-		0.9	DCPR6E	3481		DCPR6EIX	8196
Hammer		1700	2	2011-		0.9	DCPR6E	3481		DCPR6EIX	8196
Jackpot		1700	2	2011-		0.9	DCPR6E	3481		DCPR6EIX	8196
S Suede		1700	2	2011-		0.9	DCPR6E	3481		DCPR6EIX	8196
Vision Tour ABS		1700	2	2011-		0.9	DCPR6E	3481		DCPR6EIX	8196
Zach Ness Cross Vegas SL		1700	2	2011-		0.9	DCPR6E	3481		DCPR6EIX	8196
Arlen Ness Vision		1731	2	2010-		0.8	DCPR6E	3481		DCPR6EIX	8196
Broadwalk		1731	2	2013-		0.8	DCPR6E	3481		DCPR6EIX	8196
Cory Ness Jackpot		1731	2	2010-		0.8	DCPR6E	3481		DCPR6EIX	8196
Cross Country		1731	2	2010-		0.8	DCPR6E	3481		DCPR6EIX	8196
Cross Country Tour		1731	2	2010-		0.8	DCPR6E	3481		DCPR6EIX	8196
Cross Roads		1731	2	2010-		0.8	DCPR6E	3481		DCPR6EIX	8196
Hammer S		1731	2	2008-		1.0	DCPR6E	3481		DCPR6EIX	8196
Vegas Jackpot		1731	2	2008-		1.0	DCPR6E	3481		DCPR6EIX	8196
Vision		1731	2	2008-		0.8	DCPR6E	3481		DCPR6EIX	8196

VILLA BS

Giorno 50		50	1	-		0.6	BR8HSA	5539			
GP 50 Dio		50	1	-		0.6	BPR8HS	3725		BPR8HIX	6742
SP 50 Dio		50	1	-		0.6	BPR7HS	6422		BPR7HIX	5944
Z5 50		50	1	-		0.6	BR8HSA	5539			
ZX 50		50	1	-		0.6	BR8HSA	5539			

VIVA

Viva 50		50	1	1996-		0.5	BP7HS	5111		BPR7HIX	5944
---------	--	----	---	-------	--	-----	-------	------	--	---------	------

VOR

EN 400 Enduro		400	1	2000-		0.6	CR8EK	3478			
ENE 400		400	1	2004-		0.6	CR8EK	3478			
EN-MAR 400		400	1	2004-		0.6	CR8EK	3478			
MX 400 Cross		400	1	2000-		0.6	CR8EK	3478			
SM 400 Super Moto		400	1	2000-		0.6	CR8EK	3478			
SM 400 Super Moto Competition		400	1	2000-		0.6	CR8EK	3478			
EN 500 Enduro		503	1	1999-		0.6	CR8EK	3478			
MX 500 Cross		503	1	1999-		0.6	CR8EK	3478			
SM 503 Super Moto		503	1	1999-		0.6	CR8EK	3478			

* Bitte Elektrodenabstand nach Angaben des Herstellers justieren

* Please adjust the ground electrode gap

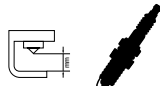
* Veuillez vérifier l'écartement

* Por favor, ajustar la distancia entre los electrodos

* Regolare il gap

* Iridium IX Spark Plug is the standard recommendation





Stock No.

Quick No.

Upgrade ↑

Stock No. ↑

VOR

SM 503 Super Moto Competition		503	1	1999-		0.6	CR8EK	3478			
ENE 530		530	1	2004-		0.6	CR8EK	3478			
EN-MAR 530		530	1	2004-		0.6	CR8EK	3478			
Super Motard Com. 530		530	1	2000-	Italy	0.6	CR8EK	3478			

WINKING

Bunny AS		50	1	-		0.7	BP7HS	5111		BPR7HIX	5944
Bunny AS 50 X		50	1	-		0.7	BP6HS	4511		BPR6HIX	4085
Bunny AT		50	1	-		0.7	BP7HS	5111		BPR7HIX	5944
Bunny AX		50	1	-		0.7	BP7HS	5111		BPR7HIX	5944
Koala 2		50	1	-		0.6	B5HS	4210			
Koala LM		50	1	-		0.6	B6HS	4510		BR6HIX	3419
Scooty Roller		50	1	-		0.6	B6HS	4510		BR6HIX	3419

WK (WHITE KNUCKLE)

Bellissima		50	1	2013-	Italy	0.7	CR7HSA	4549		CR7HIX	7544
Go 50		50	1	2013-		0.7	CR7HSA	4549		CR7HIX	7544
GP50		50	1	2010-	Air	0.6	BPR7HS	6422		BPR7HIX	5944
Mii 50		50	1	2014-		0.7	CR7HSA	4549		CR7HIX	7544
WASP R50		50	1	2014-		0.7	CR7HSA	4549		CR7HIX	7544
Bellissima		125	1	2014-		0.7	CR7HSA	4549		CR7HIX	7544

WP

Wave 50		50	1	1996-		0.5	BPR7HS	6422		BPR7HIX	5944
----------------	--	----	---	-------	--	-----	--------	------	--	---------	------

WUYANG

WY 50 QT		50	1	2006-		0.6	C7HSA	4629		CR7HIX	7544
WY 125-12		125	1	2006-		0.9	DPR8EA-9	4929	Q221	DPR8EIX-9	2202
WY 125-16C		125	1	2006-		0.9	DPR8EA-9	4929	Q221	DPR8EIX-9	2202
WY 125-24b cub		125	1	2006-		0.6	C7HSA	4629		CR7HIX	7544

XISPA

X 125 R		125	1	2007-2008		0.6	BP5ES	6511		BPR5EIX	6597
X 250 R		250	1	2007-2008		0.6	BP5ES	6511		BPR5EIX	6597
X 280 R		273	1	2007-2008		0.6	BP5ES	6511		BPR5EIX	6597

YAMAHA

50 Breeze		50	1	1994-		0.6	BR7HS	4737		BR7HIX	7067
Aerox 50		50	1	1997-		0.6	BR8HS	4915	Q212	BR8HIX	7001
Aerox 50 Racing		50	1	2004-		0.6	BR8HS	4915	Q212	BR8HIX	7001
Aerox 50 R Toyota Racing		50	1	2003-		0.6	BR8HS	4915	Q212	BR8HIX	7001
Axis 50		50	1	1995-		0.6	BR7HS	4737		BR7HIX	7067
BA 50	4KNP00	50	1	2007-2007		0.6	BR7HS	4737		BR7HIX	7067
BA 50 N	4KNR00	50	1	2007-2007	Italy	0.6	BR7HS	4737		BR7HIX	7067
BA 50 NH	4KNS00	50	1	2007-2007		0.6	BR7HS	4737		BR7HIX	7067
BA 50 S	4KNT00	50	1	2007-2007		0.6	BR7HS	4737		BR7HIX	7067
BW 50	CW50	50	1	1992-		0.7	BR8HS	4915	Q212	BR8HIX	7001
BW 50	CW50	50	1	1996-		0.7	BR8HS	4915	Q212	BR8HIX	7001
BW 50 Bump	CW50RSX	50	1	1996-		0.7	BR8HS	4915	Q212	BR8HIX	7001
BW 50 NG	CW50RS	50	1	1996-		0.7	BR8HS	4915	Q212	BR8HIX	7001
BW 50 Original		50	1	1996-		0.7	BR8HS	4915	Q212	BR8HIX	7001
BW 50 R	4BX...	50	1	1996-		0.7	BR8HS	4915	Q212	BR8HIX	7001
BW 50 R 12		50	1	2001-		0.7	BR8HS	4915	Q212	BR8HIX	7001
BW 50 Spy	CW50RSP	50	1	1996-		0.7	BR8HS	4915	Q212	BR8HIX	7001

* Bitte Elektrodenabstand nach Angaben des Herstellers justieren
 * Please adjust the ground electrode gap
 * Veuillez vérifier l'écartement

* Por favor, ajustar la distancia entre los electrodos
 * Regolare il gap
 ** Iridium IX Spark Plug is the standard recommendation





Stock No.

Quick No.

Upgrade ↑

Stock No. ↑

YAMAHA

BWS NG 99	SA056	50	1	1999-		0.6	BR8HS	4915	Q212	BR8HIX	7001
BX 50	10B100	50	1	2007-2007		0.7	CR8E	4854	Q226	CR8EIX	4218
BX 50 N	10B300	50	1	2007-2007		0.7	CR8E	4854	Q226	CR8EIX	4218
BX 50 S	10B200	50	1	2008-2008		0.7	CR8E	4854	Q226	CR8EIX	4218
CE 50		50	1	2007-2009		0.8	CR7E	4578	Q225	CR7EIX	7385
CE 50 D	3P3...	50	1	2007-2009		0.8	CR7E	4578	Q225	CR7EIX	7385
CE 50 ZR	3P3300	50	1	2009-2009		0.8	CR7E	4578	Q225	CR7EIX	7385
CR 50 SS		50	1	1993-		1.0	BP7HS-10	7829			
CR 50 Z		50	1	1993-		1.0	BP7HS-10	7829			
CS 50	49D100	50	1	2009-2009		0.7	BR8HS	4915	Q212	BR8HIX	7001
CS 50 Z	3D4W00	50	1	2009-2009		0.7	BR8HS	4915	Q212	BR8HIX	7001
CV 50		50	1	-		0.7	BPR6HS	7022		BPR6HIX	4085
CV 50	5SUA00	50	1	2007-2007		0.6	BPR7HS	6422		BPR7HIX	5944
CV 50 A	5SUC00	50	1	2007-2007		0.6	BPR7HS	6422		BPR7HIX	5944
CV 50 R	5SUB00	50	1	2007-2007		0.6	BPR7HS	6422		BPR7HIX	5944
CV 50 Z-2	5SW800	50	1	2007-2007		0.6	BPR7HS	6422		BPR7HIX	5944
CV 50 ZR	5SW700	50	1	2007-2007		0.6	BPR7HS	6422		BPR7HIX	5944
CW 50	4BX	50	1	1994-		0.7	BPR7HS	6422		BPR7HIX	5944
CW 50	5WW...	50	1	2007-2009		0.7	BR8HS	4915	Q212	BR8HIX	7001
CW 50 L	2B6...	50	1	2007-2009		0.7	BR8HS	4915	Q212	BR8HIX	7001
CW 50 LN	14C...	50	1	2008-2009		0.7	BR8HS	4915	Q212	BR8HIX	7001
CW 50 N	2B7...	50	1	2007-2009		0.7	BR8HS	4915	Q212	BR8HIX	7001
CW 50 R	4BX...	50	1	-		0.7	BR8HS	4915	Q212	BR8HIX	7001
CW 50 RS	2B1900	50	1	2009-2009		0.7	BR8HS	4915	Q212	BR8HIX	7001
CW 50 RSP	2B2...	50	1	2008-2009		0.7	BR8HS	4915	Q212	BR8HIX	7001
CY 50		50	1	1994-		0.7	BP7HS	5111		BPR7HIX	5944
CY 50 E		50	1	1993-		0.7	BP7HS	5111		BPR7HIX	5944
CY 50 F		50	1	1994-	Italy	0.7	BPR7HS	6422		BPR7HIX	5944
DT 50		50	1	-		0.8	B7HS	5110		BR7HIX	7067
DT 50		50	1	2003-		0.8	BR9ES	5722		BR9EIX	3981
DT 50 E		50	1	1993-		0.8	BR8ES	5422	Q207	BR8EIX	5044
DT 50 F		50	1	1994-		0.8	BR8ES	5422	Q207	BR8EIX	5044
DT 50 LC		50	1	1993-		0.8	BR8ES	5422	Q207	BR8EIX	5044
DT 50 MX		50	1	1992-1995		0.7	BR7HS	4737		BR7HIX	7067
DT 50 R		50	1	1997-		0.8	BR8ES	5422	Q207	BR8EIX	5044
DT 50 RM		50	1	1997-		0.8	BR8ES	5422	Q207	BR8EIX	5044
DT 50 Supermotard		50	1	2003-		0.8	BR9ES	5722		BR9EIX	3981
DX 50 R		50	1	1997-		0.8	BR8ES	5422	Q207	BR8EIX	5044
DX 50 S		50	1	1992-		0.7	BR7HS	4737		BR7HIX	7067
ES 50		50	1	-	Italy	0.7	B8HS	5510		BR8HIX	7001
Evolis	4FW	50	1	-		0.5	BR7HS	4737		BR7HIX	7067
EW 50 N		50	1	2007-2009		0.7	BR8HS	4915	Q212	BR8HIX	7001
EW 50 Slider	SA09	50	1	2000-2006		0.6	BR8HS	4915	Q212	BR8HIX	7001
Fizz	4RC	50	1	1995-		0.7	BR8HS	4915	Q212	BR8HIX	7001
Forte	3UG	50	1	-		0.7	BR8HS	4915	Q212	BR8HIX	7001
Jog 50 R		50	1	-		0.6	BR8HS	4915	Q212	BR8HIX	7001
Jog 50 RR		50	1	-		0.6	BR8HS	4915	Q212	BR8HIX	7001
Jog-Z 50		50	1	1995-		0.7	BP7HS	5111		BPR7HIX	5944
MA 50		50	1	-		0.7	BP4HS	3611			
MA 50 M		50	1	-		0.7	BP4HS	3611			
MR 50		50	1	-		0.7	B7HS	5110		BR7HIX	7067
MR 50 H		50	1	-		0.7	B7HS	5110		BR7HIX	7067

*Bitte Elektrodenabstand nach Angaben des Herstellers justieren

*Please adjust the ground electrode gap

*Veuillez vérifier l'écartement

* Por favor, ajustar la distancia entre los electrodos

*Regolare il gap

* Iridium IX Spark Plug is the standard recommendation





Stock No.

Quick No.

Upgrade ↑

Stock No. ↑

YAMAHA

NS 50	AEROX R	50	1	2013-	3hp	0.7	BR8HS	4915	Q212	BR8HIX	7001
NS 50 F	AEROX R	50	1	2014-	4hp	0.7	CR7E	4578	Q225	CR7EIX	7385
NS 50 N	AEROX R	50	1	2013-	3hp	0.7	BR8HS	4915	Q212	BR8HIX	7001
PW 50 E		50	1	1993-		0.8	BPR4HS	7823			
SH 50		50	1	-		1.0	BPR6HS-10	2633			
SH 50 E		50	1	1993-		1.0	BP6HS-10	6326			
SH 50 ED		50	1	1993-		1.0	BP6HS-10	6326			
SH 50 F		50	1	-		1.0	BPR6HS-10	2633			
SH 50 MF		50	1	1993-		1.0	BP6HS-10	6326			
Spy 50		50	1	-		0.6	BR8HS	4915	Q212	BR8HIX	7001
T 50		50	1	-		0.7	C6HSA	3228		CR6HIX	7274
TT-R 50		50	1	2009-		0.7	CR7HSA	4549		CR7HIX	7544
TT-R 50 E	1P6...	50	1	2007-		0.7	CR7HSA	4549		CR7HIX	7544
TT-R 50 EX	1P6...	50	1	2008-2008		0.7	CR7HSA	4549		CR7HIX	7544
TT-R 50 EY	1P6...	50	1	2009-2009		0.7	CR7HSA	4549		CR7HIX	7544
TZR 50	3TU3	50	1	1992-1995		0.8	BR9ES	5722		BR9EIX	3981
TZR 50	4YV1	50	1	1996-1998		0.8	BR8ES	5422	Q207	BR8EIX	5044
TZR 50	5DU5	50	1	2001-2002		0.8	CR8E	4854	Q226	CR8EIX	4218
TZR 50		50	1	2003-2016		0.8	BR9ES	5722		BR9EIX	3981
TZR 50		50	1	2003-2012		0.8	BR9ES	5722		BR9EIX	3981
TZR 50	5WX...	50	1	2007-2008		0.8	BR9ES	5722		BR9EIX	3981
TZR 50		50	1	2013-		0.7	CR8E	4854	Q226	CR8EIX	4218
TZR R		50	1	1997-		0.8	BR8ES	5422	Q207	BR8EIX	5044
V 50	3ACA00	50	1	2007-2007		0.7	BR7HS	4737		BR7HIX	7067
V 50 D		50	1	1993-		0.7	B7HS	5110		BR7HIX	7067
V 50 D	4AT900	50	1	2007-2007		0.7	BR7HS	4737		BR7HIX	7067
V 50 E		50	1	-		0.7	B7HS	5110		BR7HIX	7067
V 50 FM		50	1	-		0.6	B7HS	5110		BR7HIX	7067
V 50 MA		50	1	-		0.6	B6HS	4510		BR6HIX	3419
V 50 N	4AV900	50	1	2007-2007		0.7	BR7HS	4737		BR7HIX	7067
XC 50	13P...	50	1	2008-2008		0.6	CR7E	4578	Q225	CR7EIX	7385
XC 50 D	13P...	50	1	2007-2008		0.6	CR7E	4578	Q225	CR7EIX	7385
XC 50 V Vino		50	1	2006-		0.7	CR7E	4578	Q225	CR7EIX	7385
XF 50		50	1	2007-2009		0.8	CR7E	4578	Q225	CR7EIX	7385
XF 50 E Giggle		50	1	2007-2010	4hp	0.8	CR7E	4578	Q225	CR7EIX	7385
XF 50 Giggle		50	1	2008-		0.8	CR7E	4578	Q225	CR7EIX	7385
YA 50	5AK	50	1	1997-		0.7	BR7HS	4737		BR7HIX	7067
YA 50 Axis	50R	50	1	1997-		0.7	BR7HS	4737		BR7HIX	7067
YB 50 S		50	1	-		0.7	B7HS	5110		BR7HIX	7067
YE 50		50	1	1993-		0.7	BR7HS	4737		BR7HIX	7067
YE 50 Zest	4FW	50	1	-		0.7	BR8HS	4915	Q212	BR8HIX	7001
YE 50 Zest		50	1	1992-		0.7	BR7HS	4737		BR7HIX	7067
YH 50 Why	SA03	50	1	1998-		0.6	BR8HS	4915	Q212	BR8HIX	7001
YM 50 Breeze		50	1	1995-		0.7	BR8HS	4915	Q212	BR8HIX	7001
YN 50 Neo's		50	1	1997-		0.6	BR8HS	4915	Q212	BR8HIX	7001
YN 50 Neo's	SA40	50	1	2009-		0.8	CR7E	4578	Q225	CR7EIX	7385
YN R Neo's		50	1	-		0.7	BR7HS	4737		BR7HIX	7067
YQ 50 Aerox	5BR	50	1	1997-1998	4hp	0.7	BR8HS	4915	Q212	BR8HIX	7001
YQ 50 Aerox		50	1	2007-2009		0.6	BR8HS	4915	Q212	BR8HIX	7001
YQ 50 L Aerox		50	1	2002-2012		0.7	BR8HS	4915	Q212	BR8HIX	7001
YQ 50 R Biaggi		50	1	1997-		0.7	BR8HS	4915	Q212	BR8HIX	7001
YQ 50 R Nitro		50	1	1997-		0.7	BR8HS	4915	Q212	BR8HIX	7001

*Bitte Elektrodenabstand nach Angaben des Herstellers justieren

*Please adjust the ground electrode gap

*Veuillez vérifier l'écartement

* Por favor, ajustar la distancia entre los electrodos

*Regolare il gap

** Iridium IX Spark Plug is the standard recommendation





Stock No.

Quick No.

Upgrade ↑

Stock No. ↑

YAMAHA

YW 50 ZUMA		50	1	2008-		0.7	BPR7HS	6422		BPR7HIX	5944
YZ 50		50	1	-		0.8	B9ES	2611	Q202	BR9EIX	3981
YZ 50 H		50	1	-		0.6	B9ES	2611	Q202	BR9EIX	3981
ZE 50 Zest		50	1	-		0.6	BR7HS	4737		BR7HIX	7067
YB 60		60	1	-		0.7	B7HS	5110		BR7HIX	7067
YF 60 S		60	1	-		0.7	BP6HS	4511		BPR6HIX	4085
YZ 60 H		60	1	-		0.8	B8ES	2411	Q201	BR8EIX	5044
CW 65		65	1	1994-		0.7	BR7HS	4737		BR7HIX	7067
CV 80		80	1	-		0.7	BPR7HS	6422		BPR7HIX	5944
Evolis	4MU	80	1	-		0.7	BR7HS	4737		BR7HIX	7067
PW 80 E	4BC	80	1	1993-		0.7	BP6HS	4511		BPR6HIX	4085
PW 80 F	4BC	80	1	1993-		0.7	BP6HS	4511		BPR6HIX	4085
PW 80 K	4BC	80	1	-		0.6	BP6HS	4511		BPR6HIX	4085
T 80		80	1	-		0.7	CR7HS	7223		CR7HIX	7544
YB 80		80	1	-		0.7	B7HS	5110		BR7HIX	7067
YE 80	4MU	80	1	1994-		0.7	BR7HS	4737		BR7HIX	7067
YE 80 Zest	4MU	80	1	1994-1997		0.7	BR7HS	4737		BR7HIX	7067
YFM 80 Badger		80	1	-		0.7	CR7HSA	4549		CR7HIX	7544
YZ 80	4GT	80	1	1995-		0.7	B10EG	3630			
YZ 80 E	4LB	80	1	1993-		0.6	B10EG	3630			
YZ 80 F	4LB	80	1	1993-		0.6	B10EG	3630			
YZ 80 G		80	1	1994-1996		0.6	B10EG	3630			
YZ 80 H		80	1	1994-1996		0.6	B10EG	3630			
YZ 80 H.R.		80	1	-		0.7	B7HS	5110		BR7HIX	7067
YZ 80 H1		80	1	1994-1996		0.6	B10EG	3630			
YZ 80 L.R.		80	1	-		0.8	B8ES	2411	Q201	BR8EIX	5044
YZ 80 LC		80	1	1999-		0.6	BR10EG	3830			
YZ 80 LW	4LB	80	1	1993-		0.6	B10EG	3630			
YZ 80 LWF	4LB	80	1	1993-		0.6	B10EG	3630			
YZ 80 LWG		80	1	1994-1996		0.6	B10EG	3630			
YZ 80 LWH		80	1	1994-1996		0.6	B10EG	3630			
Y 85 Z		85	1	2001-		0.6	BR10EG	3830			
YZ 85		85	1	2008-		0.6	BR10EG	3830			
YZ 85 W1		85	1	2007-		0.6	BR10EG	3830			
YZ 85 X		85	1	2007-		0.6	BR10EG	3830			
T 90 D	4NME00	90	1	2007-2007		0.7	CR6HSA	2983		CR6HIX	7274
T 90 N	4NME00	90	1	2007-2007		0.7	CR6HSA	2983		CR6HIX	7274
TT-R 90		90	1	2000-2007		0.7	CR6HSA	2983		CR6HIX	7274
TT-R 90 E		90	1	2003-2008		0.7	CR6HSA	2983		CR6HIX	7274
YA 90 E		90	1	1993-		0.7	BR7HS	4737		BR7HIX	7067
YA 90 F		90	1	1993-		0.7	BR7HS	4737		BR7HIX	7067
Aerox 100		100	1	2001-		0.6	BR8HS	4915	Q212	BR8HIX	7001
AG 100		100	1	-		0.7	B7HS	5110		BR7HIX	7067
AG 100 E		100	1	-		0.8	B7ES	1111		BR7EIX	6664
AG 100 F	3HA...	100	1	2007-2009		0.8	B7ES	1111		BR7EIX	6664
AG 100 H		100	1	-		0.8	B7ES	1111		BR7EIX	6664
BW 100	SB02	100	1	1999-2000		0.6	BR8HS	4915	Q212	BR8HIX	7001
BW 100	SB02	100	1	2000-		0.7	BR7HS	4737		BR7HIX	7067
BWS 100		100	1	2000-		1.0	BPR7HS-10	1092			
RT 100 E		100	1	1993-		0.8	B7ES	1111		BR7EIX	6664
RT 100 F		100	1	1993-		0.8	B7ES	1111		BR7EIX	6664
RT 100 G		100	1	-		0.7	B7ES	1111		BR7EIX	6664

*Bitte Elektrodenabstand nach Angaben des Herstellers justieren

*Please adjust the ground electrode gap

*Veuillez vérifier l'écartement

* Por favor, ajustar la distancia entre los electrodos

*Regolare il gap

* Iridium IX Spark Plug is the standard recommendation





Stock No.

Quick No.

Upgrade ↑

Stock No. ↑

YAMAHA

RT 100 H		100	1	-		0.7	B7ES	1111		BR7EIX	6664
RX 100		100	1	-	14mm Thread Size / 19mm Thread Reach	0.8	B8ES	2411	Q201	BR8EIX	5044
RX 100		100	1	-	14mm Thread Size / 12,7mm Thread Reach	0.7	B8HS	5510		BR8HIX	7001
RXS 100		100	1	-		0.7	BR8HS	4915	Q212	BR8HIX	7001
RX-ZD		100	1	1993-		0.8	BP8ES	2912		BPR8EIX	6684
V 100		100	1	1993-		1.0	BP7HS-10	7829			
V 100 E		100	1	1993-		1.0	BP7HS-10	7829			
V 100 S		100	1	1993-		1.0	BP7HS-10	7829			
V 100 SH		100	1	1993-		1.0	BP7HS-10	7829			
XC 100 E Cygnus L		100	1	2012-		0.7	CR6HSA	2983		CR6HIX	7274
YB 100		100	1	1994-		0.7	BP6HS	4511		BPR6HIX	4085
YN 100 Neo's	SB04	100	1	2000-2003		0.6	BR8HS	4915	Q212	BR8HIX	7001
YQ 100 Aerox		100	1	2000-		1.0	BR8HS-10	1134			
TT-R 110		110	1	2013-		0.7	CR6HSA	2983		CR6HIX	7274
TT-R 110 E		110	1	2008-		0.7	CR6HSA	2983		CR6HIX	7274
TT-R 110 EX	5B6...	110	1	2008-2008		0.7	CR6HSA	2983		CR6HIX	7274
TT-R 110 EY	5B6...	110	1	2009-2009		0.7	CR6HSA	2983		CR6HIX	7274
V 110 E		110	1	1993-		1.0	BP7HS-10	7829			
AF 115		113	1	2007-2008		0.7	C7HSA	4629		CR7HIX	7544
AF 115 C		113	1	2007-2009		0.7	C7HSA	4629		CR7HIX	7544
AF 115 S		113	1	2007-2009		0.7	C7HSA	4629		CR7HIX	7544
AL 115		113	1	2007-2009		0.7	C7HSA	4629		CR7HIX	7544
AL 115 C		113	1	2007-2009	Italy	0.7	C7HSA	4629		CR7HIX	7544
AL 115 F		113	1	2007-2009		0.7	C7HSA	4629		CR7HIX	7544
AL 115 S		113	1	2007-2009		0.7	C7HSA	4629		CR7HIX	7544
AT 115		113	1	2007-2009		0.8	CR7HSA	4549		CR7HIX	7544
AT 115 C		113	1	2007-2009		0.8	CR7HSA	4549		CR7HIX	7544
RX 115		115	1	1993-		0.7	BP8HS	2630		BPR8HIX	6742
V 120 JR		120	1	1994-		0.8	BP8ES	2912		BPR8EIX	6684
V 120 ZR		120	1	1994-		0.8	BP8ES	2912		BPR8EIX	6684
BWS 125		125	1	2009-		0.6	CR7HSA	4549		CR7HIX	7544
BWS 125		125	1	2010-		0.6	CR7E	4578	Q225	CR7EIX	7385
Doodo 125	SE041	125	1	2001-		0.7	CR8E	4854	Q226	CR8EIX	4218
DT 125		125	1	1994-		0.8	B8ES	2411	Q201	BR8EIX	5044
DT 125	3TT...	125	1	2007-2009		0.8	B8ES	2411	Q201	BR8EIX	5044
DT 125 F		125	1	-		0.8	B8ES	2411	Q201	BR8EIX	5044
DT 125 H		125	1	-		0.8	B8ES	2411	Q201	BR8EIX	5044
DT 125 MX		125	1	-		0.8	B8ES	2411	Q201	BR8EIX	5044
DT 125 R		125	1	2001-2004	CH, A only	0.8	BR8ES	5422	Q207	BR8EIX	5044
DT 125 R		125	1	2001-2004		0.8	BR9ES	5722		BR9EIX	3981
DT 125 RE		125	1	2004-		0.8	BR8ES	5422	Q207	BR8EIX	5044
DT 125 Tenere		125	1	-		0.8	B9ES	2611	Q202	BR9EIX	3981
DT 125 X		125	1	2005-		0.5	BR8ES	5422	Q207	BR8EIX	5044
FZ 150		125	1	2008-2008		0.7	CR8E	4854	Q226	CR8EIX	4218
HW 125 Xenter		125	1	2012-		0.9	CPR9EA-9	2308		CPR9EAIX-9	97673
HW 125 Xenter		125	1	2012-	13hp	0.9	CPR9EAX9**	97673			
Majesty 125		125	1	-		0.6	DR8EA	7162		DR8EIX	6681
MT-125		125	1	2014-	15hp	0.7	CR9E	6263	Q227	CR9EIX	3521
R 125 SE		125	1	-		0.7	BP7HS	5111		BPR7HIX	5944
RX 125		125	1	-	14mm Thread Size / 19mm Thread Reach	0.8	B8ES	2411	Q201	BR8EIX	5044

*Bitte Elektrodenabstand nach Angaben des Herstellers justieren

*Please adjust the ground electrode gap

*Veuillez vérifier l'écartement

* Por favor, ajustar la distancia entre los electrodos

*Regolare il gap

** Iridium IX Spark Plug is the standard recommendation





Stock No.

Quick No.

Upgrade ↑

Stock No. ↑

YAMAHA

RX 125		125	1	-	14mm Thread Size / 12,7mm Thread Reach	0.7	B8HS	5510		BR8HIX	7001
RX 125 H		125	1	-		0.7	B7HS	5110		BR7HIX	7067
SR 125		125	1	-		0.7	D8EA	2120	Q216	DR8EIX	6681
SR 125		125	1	1996-		0.7	DR8EA	7162		DR8EIX	6681
SR 125 SE		125	1	-1995		0.7	D8EA	2120	Q216	DR8EIX	6681
SR 125 Z		125	1	1993-		0.7	DR8EA	7162		DR8EIX	6681
T 125 H		125	1	-		0.6	B9EG	3530			
T 125 J		125	1	-		0.6	B9EG	3530			
TA 125 A		125	1	-		0.6	B10EG	3630			
TDR 125	4GW	125	1	1992-1996		0.9	BR9ES	5722		BR9EIX	3981
TDR 125	5AN	125	1	1997-		0.8	BR8ES	5422	Q207	BR8EIX	5044
TT-R 125	1B2...	125	1	2007-2009		0.8	CR7HSA	4549		CR7HIX	7544
TT-R 125 E		125	1	2007-2009		0.8	CR7HSA	4549		CR7HIX	7544
TT-R 125 EX		125	1	2008-		0.7	CR7HSA	4549		CR7HIX	7544
TT-R 125 LEX		125	1	2008-		0.7	CR7HSA	4549		CR7HIX	7544
TT-R 125 LW		125	1	2000-2014		0.8	CR7HSA	4549		CR7HIX	7544
TT-R 125 LWE		125	1	2003-2014		0.8	CR7HSA	4549		CR7HIX	7544
TT-R 125 LX		125	1	2008-		0.7	CR7HSA	4549		CR7HIX	7544
TW 125	5E/5R	125	1	1999-		0.6	DR8EA	7162		DR8EIX	6681
TZ 125		125	1	1994-		0.6	R7376-10	4457			
TZ 125	4JT	125	1	1995-		0.6	R7376-10	4457			
TZ 125 F		125	1	1994-		0.6	R7376-10	4457			
TZ 125 H		125	1	-1995		0.6	R7376-10	4457			
TZR 125		125	1	-1992		0.8	BR9ES	5722		BR9EIX	3981
TZR 125		125	1	1993-		0.8	BR9ECM	3252		BR9ECMIX	2707
V 125 Z	5XK500	125	1	2007-2007		0.8	B8ES	2411	Q201	BR8EIX	5044
V 125 ZR	5XK600	125	1	2007-2007		0.8	B8ES	2411	Q201	BR8EIX	5044
Vity 125		125	1	2008-		0.6	CR7E	4578	Q225	CR7EIX	7385
VP 125	16P...	125	1	2008-2008		0.9	CPR9EA-9	2308		CPR9EAIX-9	97673
VP 125 X-City		125	1	2007-2007		0.9	CPR9EA-9	2308		CPR9EAIX-9	97673
VP 125 X-City		125	1	2007-2007	14hp	0.9	CPR9EAIX9**	97673			
WR 125		125	1	1997-		0.6	BR9EG	3230			
WR 125 R	22B	125	1	2009-		0.7	CR8E	4854	Q226	CR8EIX	4218
WR 125 X	22B	125	1	2009-		0.7	CR8E	4854	Q226	CR8EIX	4218
XA 125	4S5...	125	1	2008-2008		0.6	CR7E	4578	Q225	CR7EIX	7385
XC 125 B		125	1	-	Constr.Code /E / F / G / H / X / W / ZW	0.7	C6HSA	3228		CR6HIX	7274
XC 125 S		125	1	-		0.7	CR6HSA	2983		CR6HIX	7274
XC 125 SC		125	1	-		0.7	CR6HSA	2983		CR6HIX	7274
XC 125 T Cygnus	4NB	125	1	1995-1997	Constr.Code 4KY	0.6	CR7E	4578	Q225	CR7EIX	7385
XC 125 T Cygnus	4NB	125	1	1998-2000		0.6	CR7E	4578	Q225	CR7EIX	7385
XC 125 TR Cygnus	4NB	125	1	1996-1999		0.7	CR7E	4578	Q225	CR7EIX	7385
XC 125 TR Cygnus	4NB	125	1	2000-		0.7	CR7E	4578	Q225	CR7EIX	7385
XC 125 X Cygnus X	SE081	125	1	2004-		0.7	CR7E	4578	Q225	CR7EIX	7385
XC 125 ZS		125	1	-		0.7	CR6HSA	2983		CR6HIX	7274
XC 125 ZSC		125	1	-		0.7	CR6HSA	2983		CR6HIX	7274
XN 125 Teo's		125	1	2000-		0.6	CR8E	4854	Q226	CR8EIX	4218
XQ 125 Maxster		125	1	2001-		0.6	CR8E	4854	Q226	CR8EIX	4218
XQ 125 Thunder		125	1	2001-		0.6	CR8E	4854	Q226	CR8EIX	4218
XT 125		125	1	-		0.7	D8EA	2120	Q216	DR8EIX	6681
XT 125 E		125	1	1993-		0.7	DR8EA	7162		DR8EIX	6681
XT 125 EC		125	1	1993-		0.7	DR8EA	7162		DR8EIX	6681

*Bitte Elektrodenabstand nach Angaben des Herstellers justieren

*Please adjust the ground electrode gap

*Veuillez vérifier l'écartement

* Por favor, ajustar la distancia entre los electrodos

*Regolare il gap

* Iridium IX Spark Plug is the standard recommendation





Stock No.

Quick No.

Upgrade ↑

Stock No. ↑

YAMAHA

XT 125 F		125	1	1993-		0.7	DR8EA	7162		DR8EIX	6681
XT 125 FC		125	1	1993-		0.7	DR8EA	7162		DR8EIX	6681
XT 125 J		125	1	-		0.7	D8EA	2120	Q216	DR8EIX	6681
XT 125 K		125	1	-		0.7	D8EA	2120	Q216	DR8EIX	6681
XT 125 KC		125	1	-		0.7	D8EA	2120	Q216	DR8EIX	6681
XT 125 L		125	1	-		0.7	D8EA	2120	Q216	DR8EIX	6681
XT 125 R	3D61	125	1	2005-		0.8	CR7HSA	4549		CR7HIX	7544
XT 125 X	3D62	125	1	2005-		0.8	CR7HSA	4549		CR7HIX	7544
XTZ 125 K		125	1	2007-2009		0.8	CR7HSA	4549		CR7HIX	7544
XTZ 125 XE	22D	125	1	2008-2009		0.8	CR7HSA	4549		CR7HIX	7544
XTZ 125 XK	22D	125	1	2008-2009		0.8	CR7HSA	4549		CR7HIX	7544
XV 125	5AJ	125	1	1997-		0.6	CR6HSA	2983		CR6HIX	7274
XV 125 S Virago	5AJ	125	1	1999-		0.6	CR6HSA	2983		CR6HIX	7274
XVS 125	VP05	125	1	2000-		0.6	CR7HSA	4549		CR7HIX	7544
XVS 125 DragStar		125	1	2000-	Italy	0.7	CR7HSA	4549		CR7HIX	7544
XV Virago		125	1	1997-		0.7	CR6HSA	2983		CR6HIX	7274
Y 125 E		125	1	-		0.5	BR9EG	3230			
Y 125 F		125	1	-		0.5	BR9EG	3230			
YB 125		125	1	-		0.7	B7HS	5110		BR7HIX	7067
YBR 125		125	1	2005-		0.7	CR6HSA	2983		CR6HIX	7274
YBR 125 Custom		125	1	2008-		0.7	CR6HSA	2983		CR6HIX	7274
YBR 125i		125	1	2007-		0.7	CR6HSA	2983		CR6HIX	7274
YFA1 125 Breeze		125	1	2000-2004		0.7	CR7HSA	4549		CR7HIX	7544
YJ 125 V Vino		125	1	2006-		0.7	CR7E	4578	Q225	CR7EIX	7385
YP 125 RA X-MAX	SE544	125	1	2011-	14hp	0.9	CPR9EAX9**	97673			
YP 125 RA X-MAX	SE544	125	1	2011-		0.9	CPR9EA-9	2308		CPR9EAIX-9	97673
YP 125 R Black X-max	SE321	125	1	2008-		0.9	CPR9EA-9	2308		CPR9EAIX-9	97673
YP 125 R Majesty		125	1	1998-2009		0.7	CR8E	4854	Q226	CR8EIX	4218
YP 125 R X-MAX	SE321	125	1	2006-		0.9	CPR9EA-9	2308		CPR9EAIX-9	97673
YP 125 R X-MAX	SE321	125	1	2006-2016	14hp	0.9	CPR9EAX9**	97673			
YS 125		125	1	2013-		*	BR9EIX**	3981			
YZ 125	1SR6	125	1	2013-		*	BR9EIX**	3981			
YZ 125 A		125	1	-	Constr.Code / U / W / N / S	0.6	BR9EG	3230			
YZ 125 B		125	1	-	Constr.Code / C / G / G1 / H / X	0.6	B9EG	3530			
YZ 125 E		125	1	-		0.6	BR9EG	3230			
YZ 125 E1		125	1	-		0.6	BR9EG	3230			
YZ 125 F		125	1	-		0.6	BR9EG	3230			
YZ 125 LC		125	1	-		0.6	BR9EG	3230			
YZ 125 S1	5XE2	125	1	2004-		0.6	BR9EG	3230			
YZ 125 T1	5XE2	125	1	2004-		0.6	BR9EG	3230			
YZ 125 W1	1C3A	125	1	2007-		0.6	BR9EIX**	3981			
YZ 125 X1	1C3E	125	1	2008-		0.7	BR9EIX**	3981			
YZF-R 125	RE061	125	1	2008-2013	15hp	0.7	CR8E	4854	Q226	CR8EIX	4218
YZF-R 125		125	1	2014-	15hp	0.7	CR9E	6263	Q227	CR9EIX	3521
AT 135	5P...	132	1	2008-2009		0.6	CR7E	4578	Q225	CR7EIX	7385
AT 135 Cast	5P0300	132	1	2008-2008		0.6	CR7E	4578	Q225	CR7EIX	7385
AT 135 Spoke	5P0300	132	1	2008-2008		0.6	CR7E	4578	Q225	CR7EIX	7385
RX-K	3KA...	132	1	2007-2008		1.0	BPR8HS-10	4839			
RX-Z	5PV300	132	1	2007-2007		0.8	BR9ES	5722		BR9EIX	3981
JT 135		135	1	2007-2008		0.9	CPR8EA-9	2306		CPR8EAIX-9	96067
T 135 HC		135	1	2007-2009		0.9	CPR8EA-9	2306		CPR8EAIX-9	96067

*Bitte Elektrodenabstand nach Angaben des Herstellers justieren

*Please adjust the ground electrode gap

*Veuillez vérifier l'écartement

* Por favor, ajustar la distancia entre los electrodos

*Regolare il gap

** Iridium IX Spark Plug is the standard recommendation





Stock No.

Quick No.

Upgrade ↑

Stock No. ↑

YAMAHA

T 135 S		135	1	2007-2009		0.9	CPR8EA-9	2306		CPR8EAIX-9	96067
T 135 SE		135	1	2007-2009		0.9	CPR8EA-9	2306		CPR8EAIX-9	96067
T 135 SEC		135	1	2007-2009		0.9	CPR8EA-9	2306		CPR8EAIX-9	96067
FZ 150		150	1	1994-		0.7	C7HSA	4629		CR7HIX	7544
FZR 150		150	1	1994-		0.7	C7HSA	4629		CR7HIX	7544
HW 150 Xenter		150	1	2012-		0.9	CPR9EA-9	2308		CPR9EAIX-9	97673
HW 150 Xenter		150	1	2012-	16hp	0.9	CPR9EAIX9**	97673			
RX 150		150	1	1993-		0.8	BP8ES	2912		BPR8EIX	6684
SR 150		150	1	1993-		0.7	D8EA	2120	Q216	DR8EIX	6681
SRZ 150	4GU...	150	1	2007-2007		0.7	DR8EA	7162		DR8EIX	6681
XC 150 Fly one		150	1	1995-		0.7	CR7E	4578	Q225	CR7EIX	7385
AC 150 B	21C...	153	1	2009-2009		0.9	CPR8EA-9	2306		CPR8EAIX-9	96067
AG 175		175	1	-		0.8	B8ES	2411	Q201	BR8EIX	5044
AG 175 H		175	1	-		0.8	B7ES	1111		BR7EIX	6664
DT 175	3TS...	175	1	2007-2009		0.8	B8ES	2411	Q201	BR8EIX	5044
RT 180 E		180	1	1993-		0.8	B8ES	2411	Q201	BR8EIX	5044
SH 185 H		185	1	-		0.7	D7EA	7912		DR7EIX	5686
AG 200 E		200	1	1993-		0.7	D8EA	2120	Q216	DR8EIX	6681
AG 200 F		200	1	2007-2009		0.7	D8EA	2120	Q216	DR8EIX	6681
AG 200 FE		200	1	2007-2009		0.7	D8EA	2120	Q216	DR8EIX	6681
DT 200 LC		200	1	1993-		0.8	BR9ES	5722		BR9EIX	3981
DT 200 RE		200	1	1993-		0.8	BR9ES	5722		BR9EIX	3981
DT 200 RF		200	1	1993-		0.8	BR9ES	5722		BR9EIX	3981
NR 200		200	1	-		0.8	B7ES	1111		BR7EIX	6664
TW 200 E	10D...	200	1	2007-2009		0.7	DR8EA	7162		DR8EIX	6681
TW 200 FC		200	1	1994-		0.7	D8EA	2120	Q216	DR8EIX	6681
TW 200 W1	10D300	200	1	2007-		0.7	DR8EA	7162		DR8EIX	6681
TW 200 W1	10D100	200	1	2007-		0.7	DR8EA	7162		DR8EIX	6681
TW 200 W1C	10D200	200	1	2007-		0.7	DR8EA	7162		DR8EIX	6681
TW 200 X		200	1	2008-		0.7	DR8EA	7162		DR8EIX	6681
WR 200 B		200	1	-		0.6	BR9ES	5722		BR9EIX	3981
WR 200 R		200	1	1993-		0.8	BR9ES	5722		BR9EIX	3981
WR 200 RE		200	1	1993-		0.8	BR9ES	5722		BR9EIX	3981
WR 200 RF		200	1	1993-		0.8	BR9ES	5722		BR9EIX	3981
WR 200 RG		200	1	-		0.6	BR9ES	5722		BR9EIX	3981
WR 200 RH		200	1	-		0.6	BR9ES	5722		BR9EIX	3981
SX-4 Scorpio	5BP...	223	1	2008-2009		0.9	DP8EA-9	5829		DPR8EIX-9	2202
TT-R 230		223	1	2007-2009		0.7	DR8EA	7162		DR8EIX	6681
TW 225 E	5VC...	223	1	2007-2007		0.7	DR8EA	7162		DR8EIX	6681
XT 225		225	1	2007-2007		0.7	DR8EA	7162		DR8EIX	6681
XT 225 E		225	1	1993-		0.7	DR8EA	7162		DR8EIX	6681
XT 225 EC		225	1	1993-		0.7	DR8EA	7162		DR8EIX	6681
XT 225 F		225	1	1993-		0.7	DR8EA	7162		DR8EIX	6681
XT 225 FC		225	1	1993-		0.7	DR8EA	7162		DR8EIX	6681
TDR 240		240	1	-		0.8	BR9ES	5722		BR9EIX	3981
XV 240		240	1	-		0.7	CR6HS	7023	Q223	CR6HIX	7274
CP 250	1B7...	250	1	2007-2008		0.9	CPR7EA-9	3901		CPR7EAIX-9	9198
CP 250 W Morphous		250	1	2007-		0.9	CPR7EA-9	3901		CPR7EAIX-9	9198
DT 250 H		250	1	-		0.8	B8ES	2411	Q201	BR8EIX	5044
R1-Z 250		250	1	1993-		0.8	BR9ES	5722		BR9EIX	3981
SE 250		250	1	-		0.8	BPR7ES	2023		BPR7EIX	4055
SR 250		250	1	-		0.8	BPR7ES	2023		BPR7EIX	4055

*Bitte Elektrodenabstand nach Angaben des Herstellers justieren

*Please adjust the ground electrode gap

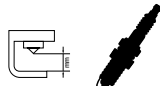
*Veuillez vérifier l'écartement

* Por favor, ajustar la distancia entre los electrodos

*Regolare il gap

* Iridium IX Spark Plug is the standard recommendation





Stock No.

Quick No.

Upgrade ↑

Stock No. ↑

YAMAHA

SR 250		250	1	2007-2009		0.8	BPR7ES	2023		BPR7EIX	4055
SR 250 F		250	1	-		0.8	BPR7ES	2023		BPR7EIX	4055
SR 250 H		250	1	-		0.8	BPR7ES	2023		BPR7EIX	4055
SR 250 TH		250	1	-		0.8	BPR7ES	2023		BPR7EIX	4055
TT 250 R		250	1	1994-		0.7	CR9E	6263	Q227	CR9EIX	3521
TT 250 R	4PX...	250	1	2007-2009		0.7	CR9E	6263	Q227	CR9EIX	3521
TT 250 RF		250	1	1994-		0.7	CR9E	6263	Q227	CR9EIX	3521
TTR 250		250	1	1994-1999		0.8	CR9E	6263	Q227	CR9EIX	3521
TTR 250 R		250	1	2000-		0.8	CR9E	6263	Q227	CR9EIX	3521
TZ 250		250	2	1994-		0.6	R7282-105	4985			
TZ 250	4DP	250	2	1995-		0.6	R7282-105	4985			
TZ 250 E		250	2	1993-		0.6	R7282-105	4985			
TZ 250 E1		250	2	1993-		0.6	R7282-105	4985			
TZ 250 F		250	2	1994-		0.6	R7282-105	4985			
TZR 250 R		250	2	-		0.8	BR9ECM	3252		BR9ECMIX	2707
TZR 250 RS		250	2	-		0.8	BR9ECM	3252		BR9ECMIX	2707
TZR 250 RSP		250	2	-		0.8	BR9ECM	3252		BR9ECMIX	2707
TZR 250 T		250	2	-		0.8	BR9ES	5722		BR9EIX	3981
VP 250 X-City		250	1	2007-		0.9	DPR8EA-9	4929	Q221	DPR8EIX-9	2202
V Star 250		250	2	2012-		0.7	G6HSA	3228		CR6HIX	7274
WR 250		250	1	2013-		0.8	CR9EK	5600	Q230		
WR 250 F		250	1	2001-		0.7	CR8E	4854	Q226	CR8EIX	4218
WR 250 F		250	1	2003-		0.7	CR8E	4854	Q226	CR8EIX	4218
WR 250 F		250	1	2007-2014		0.7	CR9E	6263	Q227	CR9EIX	3521
WR 250 F		250	1	2015-		0.7	LMAR8G	95627			
WR 250 FX		250	1	2008-		0.7	CR8E	4854	Q226	CR8EIX	4218
WR 250 R		250	1	2008-		0.8	CR9EK	5600	Q230		
WR 250 RY	32C...	250	1	2009-2009		0.8	CR9EK	5600	Q230		
WR 250 RYC	32C900	250	1	2009-2009		0.8	CR9EK	5600	Q230		
WR 250 X		250	1	2008-2014		0.8	CR9EK	5600	Q230		
WR 250 XY	32CC00	250	1	2009-2009		0.8	CR9EK	5600	Q230		
WR 250 XYC	32CA00	250	1	2009-2009	Italy	0.8	CR9EK	5600	Q230		
WR 250 Z	4JW	250	1	1993-		0.6	B8EG	3430			
WR 250 ZB		250	1	-		0.6	B8EG	3430			
WR 250 ZE	4JW	250	1	1993-		0.6	B8EG	3430			
WR 250 ZF	4JW	250	1	1993-		0.6	B8EG	3430			
WR 250 ZG		250	1	-		0.6	B8EG	3430			
WR 250 ZH		250	1	-		0.6	BR8EG	3130			
XG 250	5XT	250	1	2007-2008		0.6	DR7EA	7839		DR7EIX	5686
XG 250 Tricker		250	1	2005-		0.7	DR7EA	7839		DR7EIX	5686
X-max 250		250	1	2005-2006		0.7	DR8EA	7162		DR8EIX	6681
X-max 250		250	1	2007-		0.9	DPR8EA-9	4929	Q221	DPR8EIX-9	2202
XS 250 C		250	1	-		0.8	BPR7ES	2023		BPR7EIX	4055
XS 250 H		250	1	-	Italy	0.8	BPR7ES	2023		BPR7EIX	4055
XS 250 PK		250	2	-		0.7	D8EA	2120	Q216	DR8EIX	6681
XS 250 R		250	2	-		0.7	D8EA	2120	Q216	DR8EIX	6681
XS 250 SE		250	1	-		0.8	BPR7ES	2023		BPR7EIX	4055
XS 250 SH		250	1	-		0.8	BPR7ES	2023		BPR7EIX	4055
XS 250 SK		250	2	-		0.7	D8EA	2120	Q216	DR8EIX	6681
XT 250	3C5	250	1	2007-2009		0.6	DR7EA	7839		DR7EIX	5686
XT 250 X	5C1	250	1	2007-2008		0.6	DR7EA	7839		DR7EIX	5686
XTZ 250		250	1	2007-2009		0.7	DR8EA	7162		DR8EIX	6681

*Bitte Elektrodenabstand nach Angaben des Herstellers justieren

*Please adjust the ground electrode gap

*Veuillez vérifier l'écartement

* Por favor, ajustar la distancia entre los electrodos

*Regolare il gap

** Iridium IX Spark Plug is the standard recommendation





Stock No.

Quick No.

Upgrade ↑

Stock No. ↑

YAMAHA

XTZ 250 X		250	1	2008-2009		0.7	DR8EA	7162		DR8EIX	6681
XV 250		250	2	1994-		0.7	CR6HSA	2983		CR6HIX	7274
XV 250 F		250	2	1994-		0.7	C6HSA	3228		CR6HIX	7274
XV 250 S	3LW	250	2	1995-		0.8	CR6HS	7023	Q223	CR6HIX	7274
XV 250 Virago		250	2	2008-		0.7	C6HSA	3228		CR6HIX	7274
XV 250 W		250	2	-		0.7	CR6HSA	2983		CR6HIX	7274
XV 250 WC		250	2	-		0.7	CR6HSA	2983		CR6HIX	7274
XVS 250	VG031	250	2	2001-		0.7	CR6HS	7023	Q223	CR6HIX	7274
XVS 250		250	2	2008-2008		0.7	CR6HSA	2983		CR6HIX	7274
XVS 250 Drag Star		250	2	2001-		0.7	CR6HSA	2983		CR6HIX	7274
XVS 250 X	5KR	250	2	2008-2008		0.7	CR6HSA	2983		CR6HIX	7274
YBR 250	5D	250	1	2007-2013		0.7	DR8EA	7162		DR8EIX	6681
YBR 250 P	12B200	250	1	2008-2008		0.7	DR8EA	7162		DR8EIX	6681
YP 250	SG041	250	1	2000-		0.6	DR8EA	7162		DR8EIX	6681
YP 250 A Majesty		250	1	2000-		0.7	DR8EA	7162		DR8EIX	6681
YP 250 Black X-max		250	1	2009-2009		0.9	DPR8EA-9	4929	Q221	DPR8EIX-9	2202
YP 250 Black X-Max		250	1	2010-		0.6	DR8EA	7162		DR8EIX	6681
YP 250 DX Majesty	SG021	250	1	1999-		0.6	DR8EA	7162		DR8EIX	6681
YP 250 Grand Majesty		250	1	2004-		0.9	CPR7EA-9	3901		CPR7EAIX-9	9198
YP 250 Majesty		250	1	-		0.6	DR8EA	7162		DR8EIX	6681
YP 250 R Black X-max		250	1	2009-		0.9	DPR8EA-9	4929	Q221	DPR8EIX-9	2202
YP 250 R X-MAX		250	1	2005-2009		0.7	DR8EA	7162		DR8EIX	6681
YP 250 R X-MAX		250	1	2010-		0.7	CR7E	4578	Q225	CR7EIX	7385
YZ 250		250	1	1992-1994		0.6	B8EG	3430			
YZ 250	4MX	250	1	1995-		0.7	B8EG	3430			
YZ 250		250	1	2013-		0.6	BR8EG	3130			
YZ 250		250	1	2013-		0.7	CR8E	4854	Q226	CR8EIX	4218
YZ 250 F		250	1	1994-		0.6	B8EG	3430			
YZ 250 F	CG...	250	1	2001-		0.7	CR8E	4854	Q226	CR8EIX	4218
YZ 250 FE		250	1	2014-		0.8	LMAR8G	95627			
YZF-R25		250	1	2015-		0.7	CR9E	6263	Q227	CR9EIX	3521
CZD 300 X-MAX		300	1	2017-		0.9	LMAR8A-9	4313			
VP 300 Versity		300	2	2003-		0.6	DR8EA	7162		DR8EIX	6681
MT-03		320	2	2016-2017	42hp	0.8	CR8E	4854	Q226	CR8EIX	4218
MT-03		320	2	2018-	42hp	0.9	LMAR8A-9	4313			
YZF-R3		320	2	2015-	42hp	0.8	CR8E	4854	Q226	CR8EIX	4218
TT 350 E		350	1	1993-		0.7	D8EA	2120	Q216	DR8EIX	6681
TT 350 F		350	1	1993-		0.7	D8EA	2120	Q216	DR8EIX	6681
XT 350 E		350	1	1993-		0.7	D8EA	2120	Q216	DR8EIX	6681
XT 350 F		350	1	1993-		0.7	D8EA	2120	Q216	DR8EIX	6681
DT 400 E		400	1	-		0.8	B9ES	2611	Q202	BR9EIX	3981
DT 400 H		400	1	-		0.8	B8ES	2411	Q201	BR8EIX	5044
SR 400		400	1	-		0.8	BPR7ES	2023		BPR7EIX	4055
WR 400 F		400	1	1998-		0.7	CR8E	4854	Q226	CR8EIX	4218
XJR 400 R	4HM	400	2	-		0.7	CR9E	6263	Q227	CR9EIX	3521
XV 400 SE		400	2	-		0.8	BPR7ES	2023		BPR7EIX	4055
XVS 400	5KP	400	2	2007-2008		0.9	DPR7EA-9	5129	Q220	DPR7EIX-9	7803
XVS 400 C	5KP	400	2	2007-2008		0.9	DPR7EA-9	5129	Q220	DPR7EIX-9	7803
YP 400 Majesty		400	1	2004-2013		0.6	CR7E	4578	Q225	CR7EIX	7385
YP W Majesty		400	1	2007-		0.7	CR7E	4578	Q225	CR7EIX	7385
YZ 400 F		400	1	1997-		0.7	CR8E	4854	Q226	CR8EIX	4218
WR 426 F	CJ02W	426	1	2000-		0.7	CR8E	4854	Q226	CR8EIX	4218

*Bitte Elektrodenabstand nach Angaben des Herstellers justieren

*Please adjust the ground electrode gap

*Veuillez vérifier l'écartement

* Por favor, ajustar la distancia entre los electrodos

*Regolare il gap

* Iridium IX Spark Plug is the standard recommendation





Stock No.

Quick No.

Upgrade ↑

Stock No. ↑

YAMAHA

YZ 426 F		426	1	1999-		0.7	CR8E	4854	Q226	CR8EIX	4218
YZF 426 F		426	4	2001-		0.6	CR8E	4854	Q226	CR8EIX	4218
WR 450 F	5TJ6..	450	1	2003-		0.7	CR8E	4854	Q226	CR8EIX	4218
WR 450 F	5TJ...	450	1	2007-2009		0.7	CR8E	4854	Q226	CR8EIX	4218
WR 450 F		450	1	2013-	Italy	0.7	CR8E	4854	Q226	CR8EIX	4218
WR 450 FX		450	1	2008-		0.7	CR8E	4854	Q226	CR8EIX	4218
YZ 450		450	1	2013-		0.7	CR8E	4854	Q226	CR8EIX	4218
YZ 450 F		450	1	2003-2017		0.7	CR8E	4854	Q226	CR8EIX	4218
YZ 450 F		450	1	2018-		0.9	CPR8EA-9	2306		CPR8EAIX-9	96067
YZ 450 FW		450	1	2007-		0.8	CR8E	4854	Q226	CR8EIX	4218
YZ 450 FX		450	1	2007-		0.8	CR8E	4854	Q226	CR8EIX	4218
YZF 450		450	1	2004-		0.7	CR8E	4854	Q226	CR8EIX	4218
YZF 450 F		450	1	2009-		0.7	CR8E	4854	Q226	CR8EIX	4218
IT 500		500	1	-		0.7	BPR7ES	2023		BPR7EIX	4055
MX 500		500	1	-		*	BR8EIX**	5044			
SR 500	3EB	500	1	1995-		0.6	BPR7ES	2023		BPR7EIX	4055
SR 500	48T	500	1	1997-		0.8	BPR7ES	2023		BPR7EIX	4055
SR 500 E		500	1	-		0.8	BPR7ES	2023		BPR7EIX	4055
SR 500 H		500	1	-		0.8	BPR7ES	2023		BPR7EIX	4055
T-Max 500		500	2	2004-2010		0.7	CR7E	4578	Q225	CR7EIX	7385
XJ 500		500	4	-		0.7	D8EA	2120	Q216	DR8EIX	6681
XP 500 T-Max		500	2	2000-2011		0.6	CR7E	4578	Q225	CR7EIX	7385
XP 530 T-Max		500	2	2012-		0.6	CR7E	4578	Q225	CR7EIX	7385
XT 500 E		500	1	-1992		0.8	BPR7ES	2023		BPR7EIX	4055
XT 500 E		500	1	1993-		0.9	DPR8EA-9	4929	Q221	DPR8EIX-9	2202
YP 500 T-Max		500	2	-		0.6	CR7E	4578	Q225	CR7EIX	7385
XV 535		535	2	1995-1996		0.8	BPR7ES	2023		BPR7EIX	4055
XV 535		535	2	1997-1999		0.8	BPR6ES	7822		BPR6EIX	6637
XV 535 DX H Virago	VJ011	535	2	2000-2003		0.8	BPR6ES	7822		BPR6EIX	6637
XV 535 DX N Virago	VJ012	535	2	2000-2003		0.8	BPR6ES	7822		BPR6EIX	6637
XV 535 SH		535	2	1994-		0.8	BPR7ES	2023		BPR7EIX	4055
XV 535 SN		535	2	1994-		0.8	BPR7ES	2023		BPR7EIX	4055
XV 535 SP		535	2	1994-		0.8	BPR7ES	2023		BPR7EIX	4055
YV 535 FC		535	2	1994-		0.8	BPR7ES	2023		BPR7EIX	4055
FZ6 600 Fazer		600	4	2003-2006		0.8	CR9EK	5600	Q230		
FZ6 600 Fazer		600	4	2004-	Italy	0.7	CR9EK	5600	Q230		
FZ6 600 Fazer		600	4	2010-		0.7	CR9E	6263	Q227	CR9EIX	3521
FZ6 600 Fazer S2		600	4	2007-		0.8	CR9EK	5600	Q230		
FZ6 600 N	1B3D00	600	4	2004-2007	98hp	0.7	CR9EK	5600	Q230		
FZ6 600 NA	5S3100	600	4	2007-2007		0.7	CR9EK	5600	Q230		
FZ6 600 NAHG	5S4...	600	4	2007-2007		0.7	CR9EK	5600	Q230		
FZ6 600 NAHG		600	4	2008-2009		0.7	CR9EK	5600	Q230		
FZ6 600 NHG		600	4	2006-2009		0.7	CR9EK	5600	Q230		
FZ6 600 NHGY	5S5...	600	4	2009-2009		0.7	CR9EK	5600	Q230		
FZ6 600 S	5VXL00	600	4	2004-2008	98hp	0.7	CR9EK	5600	Q230		
FZ6 600 SA	4P5...	600	4	2006-2008	Italy 98hp	0.7	CR9EK	5600	Q230		
FZ6 600 SAHG	5S2...	600	4	2007-2009		0.7	CR9EK	5600	Q230		
FZ6 600 SHG		600	4	2007-2009		0.7	CR9EK	5600	Q230		
FZ6 600 SHGW	4S8500	600	4	2007-2007		0.7	CR9EK	5600	Q230		
FZ6 600 SHGX	4S8700	600	4	2008-2008		0.7	CR9EK	5600	Q230		
FZ6 600 SHGY	4S8C00	600	4	2009-2009		0.7	CR9EK	5600	Q230		
FZR 600 F		600	4	1994-		0.7	CR9E	6263	Q227	CR9EIX	3521

* Bitte Elektrodenabstand nach Angaben des Herstellers justieren

* Please adjust the ground electrode gap

* Veuillez vérifier l'écartement

* Por favor, ajustar la distancia entre los electrodos

* Regolare il gap

** Iridium IX Spark Plug is the standard recommendation





Stock No.

Quick No.

Upgrade ↑

Stock No. ↑

YAMAHA

FZR 600 R	4JH	600	4	1994-		0.7	CR9E	6263	Q227	CR9EIX	3521
FZR 600 R	4MH	600	4	1994-		0.7	CR9E	6263	Q227	CR9EIX	3521
FZR 600 RF		600	4	1994-		0.7	CR9E	6263	Q227	CR9EIX	3521
FZR 600 RFC		600	4	1994-		0.7	CR9E	6263	Q227	CR9EIX	3521
FZS 600 Fazer		600	4	2003-2004		0.7	CR9EK	5600	Q230		
FZS 600 H Fazer	RJ021	600	4	1998-2002		0.7	CR9E	6263	Q227	CR9EIX	3521
FZS 600 N Fazer	RJ022	600	4	1998-2002		0.7	CR8E	4854	Q226	CR8EIX	4218
TT 600 E	4LW	600	1	1993-1996		0.9	DPR8EA-9	4929	Q221	DPR8EIX-9	2202
TT 600 E		600	1	1996-1998		0.9	DPR8EA-9	4929	Q221	DPR8EIX-9	2202
TT 600 R		600	1	1996-1998		0.9	DPR8EA-9	4929	Q221	DPR8EIX-9	2202
TT 600 R	DJ011	600	1	1998-1999		0.9	DPR8EA-9	4929	Q221	DPR8EIX-9	2202
TT 600 RE	DJ012	600	1	2003-		0.9	DPR8EA-9	4929	Q221	DPR8EIX-9	2202
TT 600 S	4LW	600	1	1993-		0.9	DPR8EA-9	4929	Q221	DPR8EIX-9	2202
XJ 600 N		600	4	1992-2002		0.6	CR8E	4854	Q226	CR8EIX	4218
XJ 600 S		600	4	1992-2002		0.6	CR8E	4854	Q226	CR8EIX	4218
XJ 6 N	20S	600	4	2009-		0.7	CR9E	6263	Q227	CR9EIX	3521
XJ 6 NA	36B	600	4	2009-		0.7	CR9E	6263	Q227	CR9EIX	3521
XJ 6 S	36C	600	4	2009-		0.7	CR9E	6263	Q227	CR9EIX	3521
XJ 6 SA	36D	600	4	2009-		0.7	CR9E	6263	Q227	CR9EIX	3521
XJ 6 SY	36C	600	4	2009-		0.7	CR9E	6263	Q227	CR9EIX	3521
XV 600 V Star Classic		600		2008-		0.9	DPR7EA-9	5129	Q220	DPR7EIX-9	7803
YZF 600 R	4TV	600	4	1996-		0.8	CR9E	6263	Q227	CR9EIX	3521
YZF 600 R	4WD	600	4	1996-		0.8	CR9E	6263	Q227	CR9EIX	3521
YZF 600 R6		600	4	1999-		0.7	CR10EK	2360			
YZF 600 R6S		600	4	2007-		0.7	CR10EK	2360			
YZF 600 R6SW		600	4	2007-		0.7	CR10EK	2360			
YZF 600 R Thundercat		600	4	1996-		0.8	CR9E	6263	Q227	CR9EIX	3521
YZF 600 RW		600	4	2007-		0.8	CR9E	6263	Q227	CR9EIX	3521
YZF-R6 600		600	4	1999-2002		0.6	CR10EK	2360			
YZF-R6 600		600	4	2003-2005		0.6	CR10EK	2360			
YZF-R6 600		600	4	2006-2007		0.6	CR10EK	2360			
YZF-R6 600	13S...	600	4	2008-2011		0.6	CR10EK	2360			
YZF-R6 600		600	4	2013-	118hp	0.6	CR10EK	2360			
YZF-R6 600 CEX	13S...	600	4	2008-2008		0.6	CR10EK	2360			
YZF-R6 600 X	13S...	600	4	2008-2008		0.6	CR10EK	2360			
YZF-R6 600 XC	13S...	600	4	2008-2008		0.6	CR10EK	2360			
TS 650		650	2	-		0.6	B8ES	2411	Q201	BR8EIX	5044
XS 650 H		650	2	-		0.7	BPR7ES	2023		BPR7EIX	4055
XS 650 II		650	2	-		0.7	BPR7ES	2023		BPR7EIX	4055
XS 650 S		650	2	-		0.7	BPR7ES	2023		BPR7EIX	4055
XS 650 SH		650	2	-		0.7	BPR7ES	2023		BPR7EIX	4055
XVS 650	4VR/4XR	650	2	1997-		0.9	DPR7EA-9	5129	Q220	DPR7EIX-9	7803
XVS 650 Drag Star	4VR/4XR	650	2	1997-		0.9	DPR7EA-9	5129	Q220	DPR7EIX-9	7803
XVS 650 Drag Star		650	2	2007-2009		0.9	DPR7EA-9	5129	Q220	DPR7EIX-9	7803
XVS 650 Drag Star Classic	VM0	650	2	1998-		0.9	DPR7EA-9	5129	Q220	DPR7EIX-9	7803
XVS 650 V-Star Mid-night		650	2	2006-		0.9	DPR7EA-9	5129	Q220	DPR7EIX-9	7803
MT 03 660		660	1	2006-2007		0.6	CR7E	4578	Q225	CR7EIX	7385
MT 03 660		660	1	2008-		0.6	CR7E	4578	Q225	CR7EIX	7385
SZR 660	4SU	660	1	1996-1996		0.9	DPR9EA-9	5329	Q222	DPR9EIX-9	5545
SZR 660	4SU	660	1	1997-		0.9	DPR8EA-9	4929	Q221	DPR8EIX-9	2202
XT 660 R		660	1	2004-2011		0.6	CR7E	4578	Q225	CR7EIX	7385

* Bitte Elektrodenabstand nach Angaben des Herstellers justieren

* Please adjust the ground electrode gap

* Veuillez vérifier l'écartement

* Por favor, ajustar la distancia entre los electrodos

* Regolare il gap

* Iridium IX Spark Plug is the standard recommendation





Stock No.

Quick No.

Upgrade ↑

Stock No. ↑

YAMAHA

XT 660 X		660	1	2004-2011		0.6	CR7E	4578	Q225	CR7EIX	7385
XT 660 Z Ténéré		660	1	2008-2011		0.6	CR7E	4578	Q225	CR7EIX	7385
XTR 660		660	1	2004-		0.7	CR7E	4578	Q225	CR7EIX	7385
XTZ 660	4MD	660	1	1994-		0.9	DR8EA	7162		DR8EIX	6681
XTZ 660	3YF	660	1	1997-		0.9	DPR8EA-9	4929	Q221	DPR8EIX-9	2202
XTZ 660 Tenere		660	1	-		0.9	DPR8EA-9	4929	Q221	DPR8EIX-9	2202
Tenere 700 XTZ690	XTZ690	689	2	2020-	48hp	0.9	LMAR8A-9	4313			
Tenere 700 XTZ690-U	XTZ690-U	689	2	2020-	73hp	0.9	LMAR8A-9	4313			
MT-07	RM041/RM047/ RM048	700	2	2014-	75hp	0.9	LMAR8A-9	4313			
MT-07 Tracer 700	RM141	700	2	2016-	Italy 75hp	0.9	LMAR8A-9	4313			
XSR 700	RM121	700	2	2016-	48hp	0.8	LMAR8A-9	4313			
XSR 700	RM111	700	2	2016-	75hp	0.8	LMAR8A-9	4313			
XTZ 750 Super Tenere		750	2	-		0.9	DPR8EA-9	4929	Q221	DPR8EIX-9	2202
XV 750	4PW	750	2	1995-		0.8	BPR7ES	2023		BPR7EIX	4055
YZF 750 R		750	4	1993-		0.7	CR9E	6263	Q227	CR9EIX	3521
YZF 750 RF		750	4	1993-		0.7	CR9E	6263	Q227	CR9EIX	3521
YZF 750 RFC		750	4	1993-		0.7	CR9E	6263	Q227	CR9EIX	3521
YZF 750 SP	4HT	750	4	1993-		0.8	CR9E	6263	Q227	CR9EIX	3521
YZF 750 SPF	4HT	750	4	1993-		0.8	CR9E	6263	Q227	CR9EIX	3521
YZF-R7	RM011	750	4	1999-2000		0.7	R0373A-10	4940			
FZ8		800	4	2010-		0.7	CR9E	6263	Q227	CR9EIX	3521
FZ8 N		800	4	2010-		0.7	CR9E	6263	Q227	CR9EIX	3521
FZ8 N		800	4	2011-2015	106hp	0.8	CR9E	6263	Q227	CR9EIX	3521
FZ8 NA		800	4	2011-2016	106hp	0.8	CR9E	6263	Q227	CR9EIX	3521
FZ8 Redline		800	4	2012-		0.7	CR9E	6263	Q227	CR9EIX	3521
FZ8 S		800	4	2010-		0.7	CR9E	6263	Q227	CR9EIX	3521
FZ8 SA		800	4	2010-		0.7	CR9E	6263	Q227	CR9EIX	3521
FZ8 SA Facer		800	4	2011-2015	106hp	0.8	CR9E	6263	Q227	CR9EIX	3521
FZ8 S Facer		800	4	2011-2015	106hp	0.8	CR9E	6263	Q227	CR9EIX	3521
MT-09 850	RN 291/RN296	850	3	2013-2015	115hp	0.9	CPR9EAIX9**	97673			
MT-09 850	RN 291/RN296	850	3	2013-2015		0.9	CPR9EA-9	2308		CPR9EAIX-9	97673
MT-09 Tracer 900	RN29F	850	3	2016-	115hp	0.9	CPR9EA-9	2308		CPR9EAIX-9	97673
MT-09 Tracer 900 GT		850	3	2016-	115hp	0.9	CPR9EA-9	2308		CPR9EAIX-9	97673
NIKEN		850	3	2018-	115hp	0.9	MR9K-9	97162			
NIKEN GT		850	3	2019-	115hp	0.9	MR9K-9	97162			
TDM 850	4TX	850	2	1996-2001		0.9	DPR9EA-9	5329	Q222	DPR9EIX-9	5545
TDM 850	3VD	850	2	1997-		0.9	DPR8EA-9	4929	Q221	DPR8EIX-9	2202
TDM 850	4TX	850	2	1997-		0.9	DPR8EA-9	4929	Q221	DPR8EIX-9	2202
TRX 850		850	2	1995-1995		0.9	DPR8EA-9	4929	Q221	DPR8EIX-9	2202
TRX 850	4UN	850	2	1996-1996		0.9	DPR9EA-9	5329	Q222	DPR9EIX-9	5545
TRX 850	4UN	850	2	1997-		0.9	DPR8EA-9	4929	Q221	DPR8EIX-9	2202
TDM 900	RN08	900	2	2002-2003		0.9	DPR8EA-9	4929	Q221	DPR8EIX-9	2202
TDM 900	RN111	900	2	2004-2004		0.9	DPR8EA-9	4929	Q221	DPR8EIX-9	2202
TDM 900 A	TDM900A	900	2	2007-2009		0.9	DPR8EA-9	4929	Q221	DPR8EIX-9	2202
XJ 900 GT		900	4	1995-		0.9	DPR8EA-9	4929	Q221	DPR8EIX-9	2202
XJ 900 P	5JD	900	4	2007-2009		0.9	DPR8EA-9	4929	Q221	DPR8EIX-9	2202
XJ 900 S	4KM	900	4	1995-		0.9	DPR8EA-9	4929	Q221	DPR8EIX-9	2202
XSR 900	RN431	900	3	2016-	115hp	0.9	CPR9EA-9	2308		CPR9EAIX-9	97673
XSR 900 Abarth	RN431	900	3	2017-	115hp	0.9	CPR9EA-9	2308		CPR9EAIX-9	97673
SCR 950		950	2	2017-	48hp	0.9	CPR7EA-9	3901		CPR7EAIX-9	9198
SCR 950		950	2	2017-	54hp	0.9	CPR7EA-9	3901		CPR7EAIX-9	9198

*Bitte Elektrodenabstand nach Angaben des Herstellers justieren

*Please adjust the ground electrode gap

*Veuillez vérifier l'écartement

* Por favor, ajustar la distancia entre los electrodos

*Regolare il gap

** Iridium IX Spark Plug is the standard recommendation





Stock No.

Quick No.

Upgrade ↑

Stock No. ↑

YAMAHA

XVS 950 A Midnight Star	VN02	950	2	2009-2015	Italy	0.9	CPR7EA-9	3901		CPR7EAIX-9	9198
FZ1		1000	4	2006-2007		0.7	CR9EK	5600	Q230		
FZ1	2D1A00	1000	4	2008-2008		0.7	CR9EK	5600	Q230		
FZ1 Fazer		1000	4	2006-2007		0.7	CR9EK	5600	Q230		
FZ1 Fazer	3C3G00	1000	4	2008-2008		0.7	CR9EK	5600	Q230		
FZ1 N	2D1	1000	4	2006-2010	150hp	0.7	CR9EK	5600	Q230		
FZ1 N		1000	4	2011-2015	150hp	0.8	CR9E	6263	Q227	CR9EIX	3521
FZ1 NA	22C	1000	4	2008-2010	150hp	0.7	CR9EK	5600	Q230		
FZ1 NA		1000	4	2011-2015	150hp	0.8	CR9E	6263	Q227	CR9EIX	3521
FZ1 NX	2D1...	1000	4	2008-2008		0.7	CR9EK	5600	Q230		
FZ1 NY	2D1...	1000	4	2009-2009		0.7	CR9EK	5600	Q230		
FZ1 S	3C3...	1000	4	2006-2010	150hp	0.7	CR9EK	5600	Q230		
FZ1 SA	5D0...	1000	4	2007-2010	150hp	0.7	CR9EK	5600	Q230		
FZ1 SA		1000	4	2010-		0.7	CR9EK	5600	Q230		
FZ1 SA Fazer		1000	4	2011-2015	150hp	0.8	CR9E	6263	Q227	CR9EIX	3521
FZ1 S Fazer		1000	4	2011-2015	150hp	0.8	CR9E	6263	Q227	CR9EIX	3521
FZ1 SX	3C3K00	1000	4	2008-2008		0.7	CR9EK	5600	Q230		
FZ1 SY	3C3S00	1000	4	2009-2009		0.7	CR9EK	5600	Q230		
FZR 1000 EXUP	3LE	1000	4	1994-1995		0.7	DR8EA	7162		DR8EIX	6681
FZR 1000 F		1000	4	1994-		0.9	DP8EA-9	5829		DPR8EIX-9	2202
FZR 1000 FC		1000	4	1994-		0.7	DR8EA	7162		DR8EIX	6681
FZR 1000 U		1000	4	1994-		0.9	DP8EA-9	5829		DPR8EIX-9	2202
FZS 1000 Fazer		1000	4	2000-		0.8	CR9E	6263	Q227	CR9EIX	3521
FZS 1000 Fazer	RN064	1000	4	2001-		0.7	CR9E	6263	Q227	CR9EIX	3521
FZS 1000 Fazer EXUP		1000	4	2000-2005	143hp	0.8	CR9E	6263	Q227	CR9EIX	3521
FZS 1000 Fazer EXUP		1000	4	2000-2005	98hp	0.8	CR9E	6263	Q227	CR9EIX	3521
FZS 1000 S Fazer EXUP		1000	4	2003-2005	143hp	0.8	CR9E	6263	Q227	CR9EIX	3521
FZS 1000 S Fazer EXUP		1000	4	2003-2005	98hp	0.8	CR9E	6263	Q227	CR9EIX	3521
GTS 1000	4BH	1000	4	1992-		0.9	DPR8EA-9	4929	Q221	DPR8EIX-9	2202
GTS 1000 A	4FE	1000	4	1992-		0.9	DPR8EA-9	4929	Q221	DPR8EIX-9	2202
MT-01 1000		1000	2	2007-		0.9	DPR7EA-9	5129	Q220	DPR7EIX-9	7803
MT-10		1000	4	2016-	160hp	0.7	LMAR9E-J	6884			
MT-10 SP		1000	4	2017-	160hp	0.7	LMAR9E-J	6884			
MT-10 Tourer Edition		1000	4	2018-	160hp	0.7	LMAR9E-J	6884			
YZF 1000 R	4VD	1000	4	1996-2002		0.7	DR8EA	7162		DR8EIX	6681
YZF 1000 R Thunderace		1000	4	1995-		0.9	DR8EA	7162		DR8EIX	6681
YZF-R1	RN0	1000	4	1998-2001		0.7	CR9E	6263	Q227	CR9EIX	3521
YZF-R1	5PW	1000	4	2002-2003		0.9	CR9EIA-9	6289			
YZF-R1	4C8	1000	4	2004-2008		0.7	CR9EK	5600	Q230		
YZF-R1	14B	1000	4	2009-2012		0.7	LMAR9E-J	6884			
YZF-R1		1000	4	2013-	200hp	0.7	LMAR9E-J	6884			
YZF-R1 M	RN326	1000	4	2015-	200hp	0.6	LMAR9E-J	6884			
BT 1100 Bulldog	5JN	1100	2	2002-2006	65hp	0.6	BPR7ES	2023		BPR7EIX	4055
XV 1100	3LP	1100	4	1995-		0.8	BPR7ES	2023		BPR7EIX	4055
XV 1100 SC		1100	4	-		0.8	BPR7ES	2023		BPR7EIX	4055
XV 1100 Virago		1100	4	-1998		0.7	BPR7ES	2023		BPR7EIX	4055
XVS 1100 A Classic		1100	2	1999-		0.7	BR7ES	5122		BR7EIX	6664
XVS 1100 A Drag Star		1100	2	2002-		0.7	BPR7ES	2023		BPR7EIX	4055
XVS 1100 A Drag Star	11P...	1100	2	2007-2008		0.7	BPR7ES	2023		BPR7EIX	4055
XVS 1100 Drag Star		1100	2	1999-2001		0.7	BPR7ES	2023		BPR7EIX	4055
XVS 1100 Drag Star		1100	2	2002-		0.7	BPR7ES	2023		BPR7EIX	4055

* Bitte Elektrodenabstand nach Angaben des Herstellers justieren

* Please adjust the ground electrode gap

* Veuillez vérifier l'écartement

* Por favor, ajustar la distancia entre los electrodos

* Regolare il gap

* Iridium IX Spark Plug is the standard recommendation





Stock No.

Quick No.

Upgrade ↑

Stock No. ↑

YAMAHA

XVS 1100 V Custom		1100	2	2008-		0.7	BPR7ES	2023		BPR7EIX	4055
XVS 1100 V Star Classic		1100	2	2008-		0.7	BPR7ES	2023		BPR7EIX	4055
XVS 1100 V Star Midnight		1100	2	2006-		0.7	BPR7ES	2023		BPR7EIX	4055
FJ 1200 AE		1200	4	1993-		0.9	DP8EA-9	5829		DPR8EIX-9	2202
FJ 1200 AEC		1200	4	1993-		0.9	DP8EA-9	5829		DPR8EIX-9	2202
FJ 1200 E		1200	4	1993-		0.9	DP8EA-9	5829		DPR8EIX-9	2202
FJ 1200 F		1200	4	1993-		0.9	DP8EA-9	5829		DPR8EIX-9	2202
XJR 1200	4PU	1200	4	1995-1998		0.9	DPR8EA-9	4929	Q221	DPR8EIX-9	2202
XJR 1200 SP		1200	4	1997-1998		0.9	DPR8EA-9	4929	Q221	DPR8EIX-9	2202
XT 1200 Z Super Tenere		1200	2	2010-2013	Twin Spark 110hp	0.9	CPR8EB-9	6607			
XT 1200 Z World Crosser		1200	2	2013-	Twin Spark	0.9	CPR8EB-9	6607			
FJR 1300	5JW	1300	4	2001-2005	144hp	0.7	CR8E	4854	Q226	CR8EIX	4218
FJR 1300		1300	4	2013-		0.9	CPR8EA-9	2306		CPR8EAIX-9	96067
FJR 1300 A		1300	4	2003-2006		0.7	CR8E	4854	Q226	CR8EIX	4218
FJR 1300 A		1300	4	2006-2012		0.7	CR8E	4854	Q226	CR8EIX	4218
FJR 1300 A		1300	4	2013-	146hp	0.7	CPR8EA-9	2306		CPR8EAIX-9	96067
FJR 1300 AE		1300	4	2014-	146hp	0.9	CPR8EA-9	2306		CPR8EAIX-9	96067
FJR 1300 AEX	2D2...	1300	4	2008-2008		0.7	CR8E	4854	Q226	CR8EIX	4218
FJR 1300 AEXC	2D2H00	1300	4	2008-2008		0.7	CR8E	4854	Q226	CR8EIX	4218
FJR 1300 AP	5P5...	1300	4	2007-2009		0.7	CR8E	4854	Q226	CR8EIX	4218
FJR 1300 AS		1300	4	2006-2012		0.7	CR8E	4854	Q226	CR8EIX	4218
FJR 1300 AS		1300	4	2013-	146hp	0.7	CPR8EA-9	2306		CPR8EAIX-9	96067
FJR 1300 ASX	2D2F00	1300	4	2008-2008		0.7	CR8E	4854	Q226	CR8EIX	4218
FJR 1300 ASY	2D2M00	1300	4	2009-2009		0.7	CR8E	4854	Q226	CR8EIX	4218
FJR 1300 AW	3P6900	1300	4	2007-2007		0.7	CR8E	4854	Q226	CR8EIX	4218
FJR 1300 AX	3P6F00	1300	4	2007-2007		0.7	CR8E	4854	Q226	CR8EIX	4218
FJR 1300 AY	3P6M00	1300	4	2009-2009		0.7	CR8E	4854	Q226	CR8EIX	4218
XJR 1300		1300	4	1998-		0.9	DPR8EA-9	4929	Q221	DPR8EIX-9	2202
XJR 1300		1300	4	2007-		0.9	DPR8EA-9	4929	Q221	DPR8EIX-9	2202
XJR 1300 SP	RP022	1300	4	1999-		0.9	DPR8EA-9	4929	Q221	DPR8EIX-9	2202
XV 1300 TD		1300	4	-		0.9	DPR8EA-9	4929	Q221	DPR8EIX-9	2202
XVS 1300 A Midnight Star	11C...	1300	2	2007-2009		0.9	LMAR7A-9	4908			
XVS 1300 A Midnight Star	12C...	1300	2	2007-2008		0.9	LMAR7A-9	4908			
XVS 1300 A Midnight Star		1300	2	2010-		0.9	LMAR7A-9	4908			
XVS 1300 AY Midnight Star	12C300	1300	2	2009-2009		0.9	LMAR7A-9	4908			
XVZ 1300 A Midnigh Star		1300	4	1998-2001		0.9	DPR7EA-9	5129	Q220	DPR7EIX-9	7803
XVZ 1300 A Royal Star	4YP	1300	4	1997-		0.9	DPR7EA-9	5129	Q220	DPR7EIX-9	7803
XVZ 1300 A Royal Star	4NK	1300	4	1997-		0.9	DPR7EA-9	5129	Q220	DPR7EIX-9	7803
XVZ 1300 A Royal Star		1300	4	2000-		0.9	DPR7EA-9	5129	Q220	DPR7EIX-9	7803
XVZ 1300 DE		1300	4	1993-		0.9	DPR8EA-9	4929	Q221	DPR8EIX-9	2202
XVZ 1300 TF Venture		1300	4	2001-		0.9	DPR8EA-9	4929	Q221	DPR8EIX-9	2202
Stryker		1304	2	2012-	Water fluid	0.9	LMAR7A-9	4908			
XV 1600 Wild Star	VP981	1600	2	1999-2004		0.9	DPR7EA-9	5129	Q220	DPR7EIX-9	7803
MT-01 1700	5YU...	1670	2	2005-		0.9	DPR7EA-9	5129	Q220	DPR7EIX-9	7803
MT-01 1700	5YU...	1670	2	2009-		0.9	DPR7EA-9	5129	Q220	DPR7EIX-9	7803
MT-01 1700 S	5YU...	1670	2	2009-		0.9	DPR7EA-9	5129	Q220	DPR7EIX-9	7803
MT-01 1700 W	5YU...	1670	2	2007-2007		0.9	DPR7EA-9	5129	Q220	DPR7EIX-9	7803
MT-01 1700 X	5YU...	1670	2	2008-2008		0.9	DPR7EA-9	5129	Q220	DPR7EIX-9	7803

*Bitte Elektrodenabstand nach Angaben des Herstellers justieren

*Please adjust the ground electrode gap

*Veuillez vérifier l'écartement

* Por favor, ajustar la distancia entre los electrodos

*Regolare il gap

** Iridium IX Spark Plug is the standard recommendation





Stock No.

Quick No.

Upgrade ↑

Stock No. ↑

YAMAHA

XU 1700 Road Star Warrior		1670	2	2003-		0.9	DPR7EA-9	5129	Q220	DPR7EIX-9	7803
XV 1700 PC Road Star		1670	2	2007-2009		0.9	DPR7EA-9	5129	Q220	DPR7EIX-9	7803
XV 1700 Road Star S		1670	4	2012-		0.9	DPR7EA-9	5129	Q220	DPR7EIX-9	7803
XV 1700 Road Star Silverado S		1670	4	2012-		0.9	DPR7EA-9	5129	Q220	DPR7EIX-9	7803
VMX-17 1700 VMax		1679	4	2009-		0.9	CR9EIA-9	6289			
XV 1700 Road Star Warrior		1700	2	2008-		0.9	DPR7EA-9	5129	Q220	DPR7EIX-9	7803
Roadliner S		1854	4	2012-		0.9	DPR8EA-9	4929	Q221	DPR8EIX-9	2202
Royal Star Venture S		1854	4	2012-		0.9	DPR8EA-9	4929	Q221	DPR8EIX-9	2202
Stratoliner Deluxe		1854	4	2012-		0.9	DPR8EA-9	4929	Q221	DPR8EIX-9	2202
Stratoliner S		1854	4	2012-		0.9	DPR8EA-9	4929	Q221	DPR8EIX-9	2202
XV 1900		1854	4	2012-		0.9	DPR8EA-9	4929	Q221	DPR8EIX-9	2202
XV 1900 S		1854	4	2012-		0.9	DPR8EA-9	4929	Q221	DPR8EIX-9	2202
Star Stratoliner Deluxe		1900	4	2010-		0.9	DPR8EA-9	4929	Q221	DPR8EIX-9	2202
XV 1900		1900	2	2006-		0.9	DPR8EA-9	4929	Q221	DPR8EIX-9	2202
XV 1900 A Midnight Star		1900	2	2011-2016		0.9	DPR8EA-9	4929	Q221	DPR8EIX-9	2202
XV 1900 Midnight Star		1900	2	2006-2010		0.9	DPR8EA-9	4929	Q221	DPR8EIX-9	2202

YAMASAKI

YM125-3		125	1	2011-		0.6	D8EA	2120	Q216	DR8EIX	6681
----------------	--	-----	---	-------	--	-----	------	------	------	--------	------

YIYING

YY 50	YY	50	1	-		0.7	CR7HSA	4549		CR7HIX	7544
YY 125	YY	125	1	-		0.7	CR7HSA	4549		CR7HIX	7544
YY 250		250	1	-		0.7	CR7HSA	4549		CR7HIX	7544

ZHONGNENG

Sixies 50		50	1	2006-		0.7	CR7HSA	4549		CR7HIX	7544
------------------	--	----	---	-------	--	-----	--------	------	--	--------	------

ZID

Sova 175		175	1	1993-		0.6	BP7HS	5111		BPR7HIX	5944
Woshod		175	1	-	14hp	0.7	BP7HS	5111		BPR7HIX	5944
Woshod		175	1	-	13hp	0.7	BP7HS	5111		BPR7HIX	5944
Woshod		175	1	-	10hp	0.7	BP7HS	5111		BPR7HIX	5944
Fermer		197	1	-	13hp	0.7	BP7HS	5111		BPR7HIX	5944
Zid-200		197	1	-	15hp	0.7	BP7HS	5111		BPR7HIX	5944
Sova		200	1	-	15hp	0.7	BP7HS	5111		BPR7HIX	5944

ZNEN

ZN 125 F Firenze 125		125	1	-		0.6	C7HSA	4629		CR7HIX	7544
-----------------------------	--	-----	---	---	--	-----	-------	------	--	--------	------

ZONGSHEN

Explorer Flash 50		50	1	-		0.6	CR7HSA	4549		CR7HIX	7544
Qingqi B2	QM50QT-B2	50	1	-		0.5	BP7HS	5111		BPR7HIX	5944
Ride Flash 50		50	1	-		0.6	CR7HSA	4549		CR7HIX	7544
Vento Phantom		50	1	-		0.5	BP7HS	5111		BPR7HIX	5944
Vento Triton		50	1	-		0.5	BP7HS	5111		BPR7HIX	5944
Vento Zip		50	1	-		0.5	BP7HS	5111		BPR7HIX	5944
Arktix	ZS125GY10	125	1	-		0.7	DR8EA	7162		DR8EIX	6681
Explorer		125	1	-		0.6	CR7HSA	4549		CR7HIX	7544
Explorer MRS 125		125	1	-		0.9	DP8EA-9	5829		DPR8EIX-9	2202
Explorer MRX 125		125	1	-		0.9	DP8EA-9	5829		DPR8EIX-9	2202
Explorer Phantom 125		125	1	-		0.6	CR7HSA	4549		CR7HIX	7544
Predator	ZS125GY10	125	1	-		0.7	DR8EA	7162		DR8EIX	6681

* Bitte Elektrodenabstand nach Angaben des Herstellers justieren

* Please adjust the ground electrode gap

* Veuillez vérifier l'écartement

* Por favor, ajustar la distancia entre los electrodos

* Regolare il gap

* Iridium IX Spark Plug is the standard recommendation





Stock No.

Quick No.

Upgrade ↑

Stock No. ↑

ZONGSHEN

Qingqi 10D GY6		125	1	-		0.6	CR7HSA	4549		CR7HIX	7544
Ride MRS 125		125	1	-		0.9	DP8EA-9	5829		DPR8EIX-9	2202
Ride MRX 125		125	1	-		0.9	DP8EA-9	5829		DPR8EIX-9	2202
Ride Phantom 125		125	1	-		0.6	CR7HSA	4549		CR7HIX	7544
Qingqi 10D GY6		150	1	-		0.6	CR7HSA	4549		CR7HIX	7544
Storm	ZS250GS	250	1	-		0.6	D8EA	2120	Q216	DR8EIX	6681

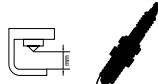
* Bitte Elektrodenabstand nach Angaben des Herstellers justieren
 * Please adjust the ground electrode gap
 * Veuillez vérifier l'écartement

* Por favor, ajustar la distancia entre los electrodos
 * Regolare il gap
 ** Iridium IX Spark Plug is the standard recommendation





IGNITION
PARTS



Stock No.

Quick No.

Upgrade ↑

Stock No. ↑

ACCESS

Long 50		50	1	-		0.8	BR8HSA	5539			
Streak 50		50	1	-		0.8	BR8HSA	5539			
Long 100		100	1	-		0.8	BR8HSA	5539			

ADLY

ATV 50		50	1	-		0.6	BP7HS	5111		BPR7HIX	5944
ATV 50 RS XXL Super-sonic		50	1	2007-		0.7	BPR7HS	6422		BPR7HIX	5944
Buggy 125		125	1	-		0.8	CR7HSA	4549		CR7HIX	7544
ATV 150		150	1	-		0.7	CR8E	4854	Q226	CR8EIX	4218
ATV 220 Cross Sentinel		220	1	-		0.7	CR8E	4854	Q226	CR8EIX	4218
ATV 220 Sentinel		220	1	-		0.7	CR8E	4854	Q226	CR8EIX	4218
ATV 300		300	1	-		0.7	DR8ES-L	2923	Q218	DR9EIX	4772
Interceptor	RS	300	1	2007-		0.7	DR8ES-L	2923	Q218	DR9EIX	4772

AEON

Cobra 50 4x2		50	1	2003-		0.8	BPR7HS	6422		BPR7HIX	5944
Minikolt 50 4x2		50	1	2003-		0.8	BPR7HS	6422		BPR7HIX	5944
Revo 50 4x2		50	1	2004-		0.8	BPR7HS	6422		BPR7HIX	5944
Cobra 100		100	1	2002-		0.8	BPR7HS	6422		BPR7HIX	5944
Revo 100		100	1	2004-		0.8	BPR7HS	6422		BPR7HIX	5944
Cobra Overland		125	1	2004-		0.8	CR7HS	7223		CR7HIX	7544
Cobra RS 1		125	1	-		0.8	CR7HS	7223		CR7HIX	7544
Cobra RS 2		125	1	-		0.8	CR7HS	7223		CR7HIX	7544
Cobra Sport 125		125	1	2002-		0.8	CR8HSA	2086		CR8HIX	7669
Cobra Utility 125		125	1	2002-		0.8	CR7HS	7223		CR7HIX	7544
Cobra RS 1		180	1	2002-2003		0.8	CR7HS	7223		CR7HIX	7544
Cobra RS 2		180	1	-		0.8	CR7HS	7223		CR7HIX	7544
Cobra RS 2		180	1	2004-		0.8	CR7HSA	4549		CR7HIX	7544
Cobra Sport 125		180	1	2002-		0.8	CR8HSA	2086		CR8HIX	7669
LG 180		180	1	2005-		0.8	CR7HSA	4549		CR7HIX	7544
Overland		180	1	2004-		0.8	CR7HS	7223		CR7HIX	7544
Overland II		180	1	2005-		0.8	CR7HSA	4549		CR7HIX	7544
Utility 4x2		180	1	2002-		0.8	CR7HS	7223		CR7HIX	7544
Cobra 220		220	1	2005-		0.6	CR7HSA	4549		CR7HIX	7544

APACHE

Tomahawk Mini 50		50	1	-2007		0.7	CR7HSA	4549		CR7HIX	7544
Tomahawk Mini 50		50	1	2008-		0.7	BR8HSA	5539			
Army 100		100	1	-		0.8	BR8HSA	5539			
RLX 100		100	1	-		0.8	BR8HSA	5539			
SX 100		100	1	-		0.8	BR8HSA	5539			
RLX 150		150	1	-		0.7	CR7HSA	4549		CR7HIX	7544
RLX 150 H		150	1	-		0.7	CR7HSA	4549		CR7HIX	7544
RLX 170 S		170	1	-		0.7	DR8EA	7162		DR8EIX	6681
RLX 250 AX		250	1	-		0.7	DR8EA	7162		DR8EIX	6681
RLX 250 S		250	1	-		0.7	CR8HS	7423		CR8HIX	7669
RLX 250 SX		250	1	-		0.7	CR8HS	7423		CR8HIX	7669
RLX F500		500	1	2010-		0.9	DPR7EA-9	5129	Q220	DPR7EIX-9	7803

APRILIA

Quasar		50	1	2002-2003		0.7	BPR7HS	6422		BPR7HIX	5944
Quasar		100	1	2002-2003		0.7	BPR7HS	6422		BPR7HIX	5944
Quasar		125	1	2002-2003		0.7	CR8HSA	2086		CR8HIX	7669

*Bitte Elektrodenabstand nach Angaben des Herstellers justieren

*Please adjust the ground electrode gap

*Veuillez vérifier l'écartement

* Por favor, ajustar la distancia entre los electrodos

*Regolare il gap

** Iridium IX Spark Plug is the standard recommendation





Stock No.

Quick No.

Upgrade ↑

Stock No. ↑

ARCTIC CAT

50 2x4	97A2A	50	1	1997-1997		0.7	CR8E	4854	Q226	CR8EIX	4218
50 4x4	97A4A	50	1	1997-1997		0.7	CR8E	4854	Q226	CR8EIX	4218
50 DVX		50	1	2006-2006		0.7	CR7HSA	4549		CR7HIX	7544
50 DVX	A2008KSA2BUS	50	1	2008-2008		0.7	CR7HSA	4549		CR7HIX	7544
50 Utility	A2006KUA2BUS	50	1	2006-2006		0.7	CR7HSA	4549		CR7HIX	7544
50 Utility	A2008KUA2BUS	50	1	2008-2008		0.7	CR7HSA	4549		CR7HIX	7544
50 Y-6 Youth	A2004ATA2BUS	50	1	2004-2004		0.7	BPR7HS	6422		BPR7HIX	5944
50 Y-6 Youth	A2005H2A2BUS	50	1	2005-2005		0.7	BPR7HS	6422		BPR7HIX	5944
50 Youth	A2002ATB2BUS	50	1	2002-2002		0.7	BPR7HS	6422		BPR7HIX	5944
50 Youth		50	1	2006-		0.7	CR7HSA	4549		CR7HIX	7544
90 DVX	A2006KSB2BUS	90	1	2006-2006		0.7	CR7HSA	4549		CR7HIX	7544
90 DVX	A2007KSB2BUS	90	1	2007-2007		0.7	CR7HSA	4549		CR7HIX	7544
90 DVX	A2008KSB2BUS	90	1	2008-2008		0.7	CR7HSA	4549		CR7HIX	7544
90 DVX	A2009KSB2BUS	90	1	2009-2009		0.7	CR7HSA	4549		CR7HIX	7544
90 DVX	A2010KSB2BUS	90	1	2010-2010		0.7	CR7HSA	4549		CR7HIX	7544
90 DVX	A2011KSB2BUS	90	1	2011-2011		0.7	CR7HSA	4549		CR7HIX	7544
90 DVX	A2012KSB2BUS	90	1	2012-2012		0.7	CR7HSA	4549		CR7HIX	7544
90 DVX	A2013KSB2BUS	90	1	2013-2013		0.7	CR7HSA	4549		CR7HIX	7544
90 DVX 2x4	A2014KSB2BUS	90	1	2014-2014		0.7	CR7HSA	4549		CR7HIX	7544
90 Utility	A2006KUB2BUS	90	1	2006-2006		0.7	CR7HSA	4549		CR7HIX	7544
90 Utility	A2007KUB2BUS	90	1	2007-2007		0.7	CR7HSA	4549		CR7HIX	7544
90 Utility	A2008KUB2BUS	90	1	2008-2008		0.7	CR7HSA	4549		CR7HIX	7544
90Utility 2x4	A2012KUB2BUS	90	1	2012-2012		0.7	CR7HSA	4549		CR7HIX	7544
90 Utility 2x4	A2009KUB2BUS	90	1	2009-2009		0.7	CR7HSA	4549		CR7HIX	7544
90 Utility 2x4	A2010KUB2BUS	90	1	2010-2010		0.7	CR7HSA	4549		CR7HIX	7544
90 Utility 2x4	A2011KUB2BUS	90	1	2011-2011		0.7	CR7HSA	4549		CR7HIX	7544
90 Utility 2x4	A2013KUB2BUS	90	1	2013-2013		0.7	CR7HSA	4549		CR7HIX	7544
90 Utility 2x4	A2014KUB2BUS	90	1	2014-2014		0.7	CR7HSA	4549		CR7HIX	7544
90 Y-12 Youth	A2003ATB2BUS	90	1	2003-2003		0.7	BPR7HS	6422		BPR7HIX	5944
90 Y-12 Youth	A2005H4B2BUS	90	1	2005-2005		0.7	CR6HSA	2983		CR6HIX	7274
90 Y-12 Youth 2T	A2004ATB2BUS	90	1	2004-2004		0.7	BPR7HS	6422		BPR7HIX	5944
90 Y-12 Youth 4T	A2004H4B2BUS	90	1	2004-2004		0.7	CR6HSA	2983		CR6HIX	7274
90 Youth		90	1	2006-		0.7	CR7HSA	4549		CR7HIX	7544
150 Utility 2x4 Auto	A2009KYC2BUS	150	1	2009-2009		0.6	DR8EA	7162		DR8EIX	6681
150 Utility 2x4 Auto	A2010KYC2BUS	150	1	2010-2010		0.6	D8EA	2120	Q216	DR8EIX	6681
150 Utility 2x4 Auto	A2011KYC2BUS	150	1	2011-2011		0.6	D8EA	2120	Q216	DR8EIX	6681
150 Utility 2x4 Auto	A2012KYC2BUS	150	1	2012-2012		0.6	D8EA	2120	Q216	DR8EIX	6681
150 Utility 2x4 Auto	A2013KYC2BUS	150	1	2013-2013		0.6	D8EA	2120	Q216	DR8EIX	6681
150 Utility 2x4 Auto	A2014KYC2BUS	150	1	2014-2014		0.6	D8EA	2120	Q216	DR8EIX	6681
250 2x4	99A2J-AP	250	1	1999-1999		0.7	DR7EA	7839		DR7EIX	5686
250 2x4	A2000ATE2AUS	250	1	2000-2000		0.7	DR7EA	7839		DR7EIX	5686
250 2x4	A2001ATE2AUS	250	1	2001-2001		0.7	DR7EA	7839		DR7EIX	5686
250 2x4	A2002ATE2AUS	250	1	2002-2002		0.7	DR7EA	7839		DR7EIX	5686
250 2x4	A2003ATE2AUS	250	1	2003-2003		0.7	DR7EA	7839		DR7EIX	5686
250 2x4	A2004ATE2AUS	250	1	2004-2004		0.7	DR7EA	7839		DR7EIX	5686
250 2X4	A2005ATE2AUS	250	1	2005-2005		0.7	DR7EA	7839		DR7EIX	5686
250 4x2		250	1	1999-		0.7	DR7EA	7839		DR7EIX	5686
250 4x4		250	1	2001-		0.7	DR7EA	7839		DR7EIX	5686
250 4x4	A2001ATE4AUS	250	1	2001-2001		0.7	DR7EA	7839		DR7EIX	5686
250 4x4	A2002ATE4AUS	250	1	2002-2002		0.7	DR7EA	7839		DR7EIX	5686
250 4x4	A2003ATE4AUS	250	1	2003-2003		0.7	DR7EA	7839		DR7EIX	5686
250 4x4	A2004ATE4AUS	250	1	2004-2004		0.7	DR7EA	7839		DR7EIX	5686

*Bitte Elektrodenabstand nach Angaben des Herstellers justieren

*Please adjust the ground electrode gap

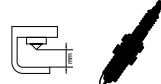
*Veuillez vérifier l'écartement

* Por favor, ajustar la distancia entre los electrodos

*Regolare il gap

* Iridium IX Spark Plug is the standard recommendation





Stock No.

Quick No.

Upgrade ↑

Stock No. ↑

ARCTIC CAT

250 4X4	A2005ATE4AUS	250	1	2005-2005		0.7	DR7EA	7839		DR7EIX	5686
250 DVX	A2006KSE2BUS	250	1	2006-2006		0.9	DPR7EA-9	5129	Q220	DPR7EIX-9	7803
250 DVX	A2007KSE2BUS	250	1	2007-2007		0.9	DPR7EA-9	5129	Q220	DPR7EIX-9	7803
250 DVX	A2008KSE2BUS	250	1	2008-2008		0.9	DPR7EA-9	5129	Q220	DPR7EIX-9	7803
250 Utility	A2006KUE2BUS	250	1	2006-2006		0.9	DPR7EA-9	5129	Q220	DPR7EIX-9	7803
250 Utility	A2007KUE2BUS	250	1	2007-2007		0.9	DPR7EA-9	5129	Q220	DPR7EIX-9	7803
250 Utility	A2008KUE2BUS	250	1	2008-2008		0.9	DPR7EA-9	5129	Q220	DPR7EIX-9	7803
250 Utility 2x4 Auto	A2009KUE2BUS	250	1	2009-2009		0.9	DPR7EA-9	5129	Q220	DPR7EIX-9	7803
300 2x4	98A2C	300	1	1998-1998		0.7	DR7EA	7839		DR7EIX	5686
300 2x4	99A2C-AP	300	1	1999-1999		0.7	DR7EA	7839		DR7EIX	5686
300 2x4	A2000ATF2AUS	300	1	2000-2000		0.7	DR7EA	7839		DR7EIX	5686
300 2x4	A2001ATF2AUS	300	1	2001-2001		0.7	DR7EA	7839		DR7EIX	5686
300 2x4	A2002ATF2AUS	300	1	2002-2002		0.7	DR7EA	7839		DR7EIX	5686
300 2x4	A2003ATF2AUS	300	1	2003-2003		0.7	DR7EA	7839		DR7EIX	5686
300 4x2	98A4C	300	1	1999-		0.7	DR7EA	7839		DR7EIX	5686
300 4x4	99A4C-AP	300	1	1998-1998		0.7	DR7EA	7839		DR7EIX	5686
300 4x4	98A4C	300	1	1999-		0.7	DR7EA	7839		DR7EIX	5686
300 4x4	99A4C-AP	300	1	1999-1999		0.7	DR7EA	7839		DR7EIX	5686
300 4x4	A2000ATF4AUS	300	1	2000-2000		0.7	DR7EA	7839		DR7EIX	5686
300 4x4	A2001ATF4AUS	300	1	2001-2001		0.7	DR7EA	7839		DR7EIX	5686
300 4x4	A2002ATF4AUS	300	1	2002-2002		0.7	DR7EA	7839		DR7EIX	5686
300 4x4	A2003ATF4AUS	300	1	2003-2003		0.7	DR7EA	7839		DR7EIX	5686
300 4x4		300	1	2004-		0.7	DR7EA	7839		DR7EIX	5686
300 4x4	A2004ATF4AUS	300	1	2004-2004		0.7	DR7EA	7839		DR7EIX	5686
300 4x4	A2005ATF4AUS	300	1	2005-2005		0.7	DR7EA	7839		DR7EIX	5686
300 DVX 2x4	A2010KSF2BUS	300	1	2010-2010		0.9	DPR7EA-9	5129	Q220	DPR7EIX-9	7803
300 DVX 2x4	A2011KSF2BUS	300	1	2011-2011		0.9	DPR7EA-9	5129	Q220	DPR7EIX-9	7803
300 DVX 2x4	A2012KSF2BUS	300	1	2012-2012		0.9	DPR7EA-9	5129	Q220	DPR7EIX-9	7803
300 DVX 2x4	A2013KSF2BUS	300	1	2013-2013		0.9	DPR7EA-9	5129	Q220	DPR7EIX-9	7803
300 DVX 2x4	A2014KSF2BUS	300	1	2014-2014		0.9	DPR7EA-9	5129	Q220	DPR7EIX-9	7803
300 DVX Sport Auto	A2009KSF2BUSP	300	1	2009-2009		0.9	DPR7EA-9	5129	Q220	DPR7EIX-9	7803
300 Utility 2x4	A2010KUF2BUS	300	1	2010-2010		0.9	DPR7EA-9	5129	Q220	DPR7EIX-9	7803
300 Utility 2x4	A2011KUF2BUS	300	1	2011-2011		0.9	DPR7EA-9	5129	Q220	DPR7EIX-9	7803
300 Utility 2x4	A2012KUF2BUS	300	1	2012-2012		0.9	DPR7EA-9	5129	Q220	DPR7EIX-9	7803
300 Utility 2x4	A2013KUF2BUS	300	1	2013-2013		0.9	DPR7EA-9	5129	Q220	DPR7EIX-9	7803
300 Utility 2x4	A2014KUF2BUS	300	1	2014-2014		0.9	DPR7EA-9	5129	Q220	DPR7EIX-9	7803
350 CR	A2011IRG4BUS	350	1	2011-2011		0.7	CR8E	4854	Q226	CR8EIX	4218
350 CR	A2011IRG4BUS	350	1	2012-2012		0.7	CR8E	4854	Q226	CR8EIX	4218
350 4x4 Auto SE	A2010IDG4BUS	366	1	2011-2011		0.7	CR8E	4854	Q226	CR8EIX	4218
366 4x4 Auto	A2008IDG4BUS	366	1	2008-2008		0.7	CR8E	4854	Q226	CR8EIX	4218
366 4x4 Auto	A2009IDG4BUS	366	1	2009-2009		0.7	CR8E	4854	Q226	CR8EIX	4218
366 4x4 Auto	A2010IDG4BUS	366	1	2010-2010		0.7	CR8E	4854	Q226	CR8EIX	4218
375 4x2		375	1	2003-		0.7	CR7E	4578	Q225	CR7EIX	7385
375 4x2 Auto	A2002ATG2BUS	375	1	2002-2002		0.7	CR7E	4578	Q225	CR7EIX	7385
375 4x4		375	1	2003-		0.7	CR7E	4578	Q225	CR7EIX	7385
375 4x4 Auto	A2002ATG4BUS	375	1	2002-2002		0.7	CR7E	4578	Q225	CR7EIX	7385
400 2x4	98A2E	400	1	1998-1998		0.7	CR8E	4854	Q226	CR8EIX	4218
400 2x4	99A2E-AP	400	1	1999-1999		0.7	CR6E	6965			
400 2x4	A2000ATI2AUS	400	1	2000-2000		0.7	CR6E	6965			
400 2x4	A2001ATI2AUS	400	1	2001-2001		0.7	CR6E	6965			
400 4x2		400	1	1998-		0.7	CR6E	6965			
400 4x4		400	1	1998-		0.7	CR6E	6965			

*Bitte Elektrodenabstand nach Angaben des Herstellers justieren

*Please adjust the ground electrode gap

*Veuillez vérifier l'écartement

* Por favor, ajustar la distancia entre los electrodos

*Regolare il gap

** Iridium IX Spark Plug is the standard recommendation





Stock No.

Quick No.

Upgrade ↑

Stock No. ↑

ARCTIC CAT

400 4x4	98A4E	400	1	1998-1998		0.7	CR8E	4854	Q226	CR8EIX	4218
400 4x4	99A4E-AP	400	1	1999-1999		0.7	CR6E	6965			
400 4x4	A2000AT14AUS	400	1	2000-2000		0.7	CR6E	6965			
400 4x4	A2001AT14AUS	400	1	2001-2001		0.7	CR6E	6965			
400 4x4 Auto	A2003ATH4BUS	400	1	2003-2003		0.7	CR7E	4578	Q225	CR7EIX	7385
400 4x4 Auto	A2004ATH4BUS	400	1	2004-2004		0.7	CR7E	4578	Q225	CR7EIX	7385
400 4x4 Auto CR	A2013IRG4BUS	400	1	2013-2013		0.7	CR8E	4854	Q226	CR8EIX	4218
400 4x4 Auto CR	A2014IRG4BUS	400	1	2014-2014		0.7	CR8E	4854	Q226	CR8EIX	4218
400 4x4 Manual	A2003ATH4AUS	400	1	2003-2003		0.7	CR7E	4578	Q225	CR7EIX	7385
400 4x4 Manual	A2004ATH4AUS	400	1	2004-2004		0.7	CR7E	4578	Q225	CR7EIX	7385
400 DVX	A2004DVI2AUS	400	1	2004-2004		0.7	CR7E	4578	Q225	CR7EIX	7385
400 DVX	A2006DVI2AUS	400	1	2006-2006		0.7	CR7E	4578	Q225	CR7EIX	7385
400 DVX	A2007DVI2AUS	400	1	2007-2007		0.7	CR7E	4578	Q225	CR7EIX	7385
400 DVX	A2008DVI2AUS	400	1	2008-2008		0.7	CR7E	4578	Q225	CR7EIX	7385
400 EFT 2x4		400	1	2014-2014		0.7	CR8E	4854	Q226	CR8EIX	4218
400 FIS 2x4 Auto	A2003ISH2BUS	400	1	2003-2003		0.7	CR7E	4578	Q225	CR7EIX	7385
400 FIS 2x4 Auto	A2004ISH2BUS	400	1	2004-2004		0.7	CR7E	4578	Q225	CR7EIX	7385
400 FIS 2x4 Manual	A2002ISI2AUS	400	1	2002-2002		0.7	CR6E	6965			
400 FIS 2x4 Manual	A2003ISH2AUS	400	1	2003-2003		0.7	CR7E	4578	Q225	CR7EIX	7385
400 FIS 2x4 Manual	A2004ISH2AUS	400	1	2004-2004		0.7	CR7E	4578	Q225	CR7EIX	7385
400 FIS 4x4 Auto	A2003ISH4BUS	400	1	2003-2003		0.7	CR7E	4578	Q225	CR7EIX	7385
400 FIS 4x4 Auto	A2004ISH4BUS	400	1	2004-2004		0.7	CR7E	4578	Q225	CR7EIX	7385
400 FIS 4x4 Auto	A2005ISH4BUS	400	1	2005-2005		0.7	CR7E	4578	Q225	CR7EIX	7385
400 FIS 4x4 Auto	A2005ISH4BGMC	400	1	2005-2005		0.7	CR7E	4578	Q225	CR7EIX	7385
400 FIS 4x4 Auto	A2006ICH4BUS	400	1	2006-2006		0.7	CR7E	4578	Q225	CR7EIX	7385
400 FIS 4x4 Auto	A2007ICH4BUS	400	1	2007-2007		0.7	CR7E	4578	Q225	CR7EIX	7385
400 FIS 4x4 Auto	A2008ICH4BUS	400	1	2008-2008		0.7	CR7E	4578	Q225	CR7EIX	7385
400 FIS 4x4 Manual	A2002ISI4AUS	400	1	2002-2002		0.7	CR6E	6965			
400 FIS 4x4 Manual	A2003ISH4AUS	400	1	2003-2003		0.7	CR7E	4578	Q225	CR7EIX	7385
400 FIS 4x4 Manual	A2004ISH4AUS	400	1	2004-2004		0.7	CR7E	4578	Q225	CR7EIX	7385
400 FIS 4x4 Manual	A2005ISH4AUS	400	1	2005-2005		0.7	CR7E	4578	Q225	CR7EIX	7385
400 FIS 4x4 Manual	A2006ICH4AUS	400	1	2006-2006		0.7	CR7E	4578	Q225	CR7EIX	7385
400 FIS 4x4 Manual	A2007ICH4AUS	400	1	2007-2007		0.7	CR7E	4578	Q225	CR7EIX	7385
400 FIS 4x4 Manual	A2008ICH4AUS	400	1	2008-2008		0.7	CR7E	4578	Q225	CR7EIX	7385
400 i 4x2		400	1	1998-		0.7	CR8E	4854	Q226	CR8EIX	4218
400 i 4x2		400	1	2004-		0.7	CR7E	4578	Q225	CR7EIX	7385
400 i 4x4		400	1	1998-		0.7	CR8E	4854	Q226	CR8EIX	4218
400 i 4x4		400	1	2004-		0.7	CR7E	4578	Q225	CR7EIX	7385
400 Manual	A2002AT14AUS	400	1	2002-2002		0.7	CR6E	6965			
400 TBX		400	1	2004-		0.7	CR7E	4578	Q225	CR7EIX	7385
400 TBX 4x4 Auto	A2004BXH4BUS	400	1	2004-2004		0.7	CR7E	4578	Q225	CR7EIX	7385
400 TBX 4x4 Auto	A2005BBH4BUS	400	1	2005-2005		0.7	CR7E	4578	Q225	CR7EIX	7385
400 TBX 4x4 Auto	A2006BBH4BUS	400	1	2006-2006		0.7	CR7E	4578	Q225	CR7EIX	7385
400 TRV 400		400	1	2014-2014		0.7	CR8E	4854	Q226	CR8EIX	4218
400 VP 4x4 Auto	A2005ATH4BUS	400	1	2005-2005		0.7	CR7E	4578	Q225	CR7EIX	7385
400 VP 4x4 Auto	A2006ABH4BUS	400	1	2006-2006		0.7	CR7E	4578	Q225	CR7EIX	7385
400 VP 4x4 Manual	A2005ATH4AUS	400	1	2005-2005		0.7	CR7E	4578	Q225	CR7EIX	7385
425 VP 4x4 Manual	A2006ABH4AUS	400	1	2006-2006		0.7	CR7E	4578	Q225	CR7EIX	7385
425 4x4 CR	A2012IRK4CUS	425	1	2012-2012		0.7	CR7E	4578	Q225	CR7EIX	7385
425 4x4 EFI CR	A2011IRK4CUS	425	1	2011-2011		0.7	CR7E	4578	Q225	CR7EIX	7385
450 4x4		450	1	-2001		0.7	CR8E	4854	Q226	CR8EIX	4218
450 4x4	A2012ICK4C	450	1	2012-2012		0.7	CR7E	4578	Q225	CR7EIX	7385

*Bitte Elektrodenabstand nach Angaben des Herstellers justieren

*Please adjust the ground electrode gap

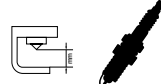
*Veuillez vérifier l'écartement

* Por favor, ajustar la distancia entre los electrodos

*Regolare il gap

* Iridium IX Spark Plug is the standard recommendation





Stock No.

Quick No.

Upgrade ↑

Stock No. ↑

ARCTIC CAT

450 4x4	A2014IRK4C	450	1	2014-2014		0.7	CR7E	4578	Q225	CR7EIX	7385
450 4x4 EFI	A2010ICK4C	450	1	2010-2010		0.7	CR7E	4578	Q225	CR7EIX	7385
450 4x4 EFI	A2011ICK4C	450	1	2011-2011		0.7	CR8E	4854	Q226	CR8EIX	4218
450 CR	A2013IRK4CUS	450	1	2013-2013		0.7	CR7E	4578	Q225	CR7EIX	7385
450 EFT		450	1	2014-2014		0.7	CR7E	4578	Q225	CR7EIX	7385
450 GT	A2012BGK2P	450	1	2012-2012		0.7	CR7E	4578	Q225	CR7EIX	7385
450 TRV	A2012TBK4C	450	1	2012-2012		0.7	CR7E	4578	Q225	CR7EIX	7385
450 TRV EFI	A2011TBK4C	450	1	2010-2010		0.7	CR7E	4578	Q225	CR7EIX	7385
450 TRV GT	A2012TGK2P	450	1	2012-2012		0.7	CR7E	4578	Q225	CR7EIX	7385
450 XC EFI	A2011KCK4C	450	1	2011-2011		0.7	CR7E	4578	Q225	CR7EIX	7385
450 XC EFI	A2012KCK4C	450	1	2012-2012		0.7	CR7E	4578	Q225	CR7EIX	7385
450 XC EFI	A2013KCK4C	450	1	2013-2013		0.7	CR7E	4578	Q225	CR7EIX	7385
450 XC EFI	A2014KCK4C	450	1	2014-2014		0.7	CR7E	4578	Q225	CR7EIX	7385
454 2x4	98A2A	454	1	1998-1998		0.7	CR8E	4854	Q226	CR8EIX	4218
454 4x4	98A4A	454	1	1998-1998		0.7	CR8E	4854	Q226	CR8EIX	4218
454 Bearcat 4x4	96A4A-AP	454	1	1996-1996		0.7	CR8E	4854	Q226	CR8EIX	4218
500 4x4	98A4G	500	1	1998-1998		0.7	CR7E	4578	Q225	CR7EIX	7385
500 4x4		500	1	1999-1999		0.7	CR6E	6965			
500 4x4	A2000ATM4AUS	500	1	2000-2000		0.7	CR6E	6965			
500 4x4	A2013ICK4C	500	1	2013-2013		0.7	CR7E	4578	Q225	CR7EIX	7385
500 4x4	A2014ICK4C	500	1	2014-2014		0.7	CR7E	4578	Q225	CR7EIX	7385
500 4x4 Auto	A2009IBM4BUS	500	1	2009-2009		0.7	CR6E	6965			
500 4x4 Manual	A2009IBM4AUS	500	1	2009-2009		0.7	CR6E	6965			
500 4x4 Méca		500	1	1999-		0.7	CR6E	6965			
500 4x4 XT	A2013BSK4C	500	1	2013-2013		0.7	CR7E	4578	Q225	CR7EIX	7385
500 4x4 XT	A2014BSK4C	500	1	2014-2014		0.7	CR7E	4578	Q225	CR7EIX	7385
500 Auto	A2000ATM4BUS	500	1	2000-2000		0.7	CR6E	6965			
500 Auto	A2001ATM4BUS	500	1	2001-2001		0.7	CR6E	6965			
500 Auto	A2002ATM4BUS	500	1	2002-2002		0.7	CR6E	6965			
500 FIS Auto	A2002ISM4BUS	500	1	2002-2002		0.7	CR6E	6965			
500 FIS Auto	A2003ISM4BUS	500	1	2003-2003		0.7	CR6E	6965			
500 FIS Auto 4x4	A2004ISM4BUS	500	1	2004-2004		0.7	CR6E	6965			
500 FIS Auto 4x4	A2005IBM4BUS	500	1	2005-2005		0.7	CR6E	6965			
500 FIS Auto 4x4	A2006IBM4BUS	500	1	2006-2006		0.7	CR6E	6965			
500 FIS Auto 4x4	A2007IBM4BUS	500	1	2007-2007		0.7	CR6E	6965			
500 FIS Auto 4x4	A2008IBM4BUS	500	1	2008-2008		0.7	CR6E	6965			
500 FIS Manual	A2002ISM4AUS	500	1	2002-2002		0.7	CR6E	6965			
500 FIS Manual	A2003ISM4AUS	500	1	2003-2003		0.7	CR6E	6965			
500 FIS Manual 4x4	A2004ISM4AUS	500	1	2004-2004		0.7	CR6E	6965			
500 FIS Manual 4x4	A2005IBM4AUS	500	1	2005-2005		0.7	CR6E	6965			
500 FIS Manual 4x4	A2006IBM4AUS	500	1	2006-2006		0.7	CR6E	6965			
500 FIS Manual 4x4	A2007IBM4AUS	500	1	2007-2007		0.7	CR6E	6965			
500 FIS Manual 4x4	A2008IBM4AUS	500	1	2008-2008		0.7	CR6E	6965			
500 i 4x4 Auto		500	1	2000-2002		0.7	CR6E	6965			
500 Manual	A2001ATM4AUS	500	1	2001-2001		0.7	CR6E	6965			
500 Manual	A2002ATM4AUS	500	1	2002-2002		0.7	CR6E	6965			
500 TBX 4x4		500	1	2001-		0.7	CR6E	6965			
500 TBX Auto 4x4	A2002BXM4BUS	500	1	2002-2002		0.7	CR6E	6965			
500 TBX Auto 4x4	A2003BXM4BUS	500	1	2003-2003		0.7	CR6E	6965			
500 TBX Auto 4x4	A2004BXM4BUS	500	1	2004-2004		0.7	CR6E	6965			
500 TBX Auto 4x4	A2005BBM4BUS	500	1	2005-2005		0.7	CR6E	6965			
500 TBX Auto 4x4	A2006BBM4BUS	500	1	2006-2006		0.7	CR6E	6965			

*Bitte Elektrodenabstand nach Angaben des Herstellers justieren

*Please adjust the ground electrode gap

*Veuillez vérifier l'écartement

* Por favor, ajustar la distancia entre los electrodos

*Regolare il gap

**Iridium IX Spark Plug is the standard recommendation





Stock No.

Quick No.

Upgrade ↑

Stock No. ↑

ARCTIC CAT

500 TRV 4X4	A2013TBK4C	500	1	2013-2013		0.7	CR7E	4578	Q225	CR7EIX	7385
500 TRV 4X4	A2014TBK4C	500	1	2014-2014		0.7	CR7E	4578	Q225	CR7EIX	7385
500 TRV Auto	A2003TDM4BUS	500	1	2003-2003		0.7	CR6E	6965			
500 TRV Auto 4X4	A2004TDM4BUS	500	1	2004-2004		0.7	CR6E	6965			
500 TRV Auto 4X4	A2005TDM4BUS	500	1	2005-2005		0.7	CR6E	6965			
500 TRV Auto 4X4	A2006TDM4BUS	500	1	2006-2006		0.7	CR6E	6965			
500 TRV Auto 4X4	A2008TDM4BUS	500	1	2008-2008		0.7	CR6E	6965			
550 4x4	A2012ICO4E	550	1	2012-2012		0.7	CPR8E	7411			
550 4x4	A2013ICO4E	550	1	2013-2013		0.7	CPR8E	7411			
550 4x4	A2014ICO4E	550	1	2014-2014		0.7	CPR8E	7411			
550 EFT		550	1	2014-2014		0.7	CPR8E	7411			
550 GT	A2012BGO1P	550	1	2012-2012		0.7	CPR8E	7411			
550 H1 4x4 Auto EFI	A2009IBO4E	550	1	2009-2009		0.7	CPR8E	7411			
550 H1 4x4 Auto EFI	A2010ICO4E	550	1	2010-2010		0.7	CPR8E	7411			
550 H1 4x4 Auto EFI	A2011ICO4E	550	1	2011-2011		0.7	CPR8E	7411			
550H1 550 TRV EFI	A2011TBO4E	550	1	2011-2011		0.7	CPR8E	7411			
550 H1 EFI	A2010ICO1P	550	1	2010-2010		0.7	CPR8E	7411			
550 H1 EFI	A2011ICO1P	550	1	2011-2011		0.7	CPR8E	7411			
550H1 TRV EFI	A2011TCO1P	550	1	2011-2011		0.7	CPR8E	7411			
LTD 550	A2012BLO1P	550	1	2012-2012		0.7	CPR8E	7411			
LTD 550	A2013BLO1P	550	1	2013-2013		0.7	CPR8E	7411			
LTD 550	A2014BLO1P	550	1	2014-2014		0.7	CPR8E	7411			
TRV 550	A2009TBO4E	550	1	2009-2009		0.7	CPR8E	7411			
TRV 550	A2010TBO4E	550	1	2010-2010		0.7	CPR8E	7411			
TRV 550 Cruiser	A2012TCO1P	550	1	2012-2012		0.7	CPR8E	7411			
TRV 550s EFI	A2010TBO1PUS	550	1	2010-2010		0.7	CPR8E	7411			
TRV 550s EFI GT	A2011TBO1P	550	1	2011-2011		0.7	CPR8E	7411			
TRV GT 550	A2012TGO1P	550	1	2012-2012		0.7	CPR8E	7411			
TRV LTD		550	1	2015-2015		0.7	CPR8E	7411			
TRV LTD 550	A2013TCO1P	550	1	2013-2013		0.7	CPR8E	7411			
TRV LTD 550	A2014TCO1P	550	1	2014-2014		0.7	CPR8E	7411			
TRV XT		550	1	2014-2014		0.7	CPR8E	7411			
TRV XT		550	1	2015-2015		0.7	CPR8E	7411			
TRV XT 550	A2013TGO1P	550	1	2013-2013		0.7	CPR8E	7411			
TRV XT EFT		550	1	2014-2014		0.7	CPR8E	7411			
TRV XT EFT		550	1	2015-2015		0.7	CPR8E	7411			
XT 550	A2013BGO1P	550	1	2013-2013		0.7	CPR8E	7411			
XT 550	A2014BGO1P	550	1	2014-2014		0.7	CPR8E	7411			
XT EFT		550	1	2014-2014		0.7	CPR8E	7411			
650 4x4	A2012ICS4B	650	1	2012-2012		0.7	CPR8E	7411			
650 4x4 Auto	A2010ICS4B	650	1	2010-2010		0.7	CPR8E	7411			
650 4x4 Auto Mud Pro	A2010IFS4BUS	650	1	2010-2010		0.7	CPR8E	7411			
650 4x4 V2 Auto		650	2	2004-2005		0.7	CR7E	4578	Q225	CR7EIX	7385
650 FIS 4x4 V-2	A2004ISR4B	650	2	2004-2004		0.7	CR7E	4578	Q225	CR7EIX	7385
650 FIS 4x4 V-2	A2005IBR4B	650	2	2005-2005		0.7	CR7E	4578	Q225	CR7EIX	7385
650 FIS 4x4 V-Twin Auto	A2006IBR4B	650	2	2006-2006		0.7	CR7E	4578	Q225	CR7EIX	7385
H1 4x4	A2005IBS4BUS	650	1	2005-2005		0.7	CPR8E	7411			
H1 4x4		650	1	2010-		0.6	CPR8E	7411			
H1 650 4x4 Auto	A2006IBS4B	650	1	2006-2006		0.7	CPR8E	7411			
H1 650 4x4 Auto	A2011ICS4B	650	1	2011-2011		0.7	CPR8E	7411			
H1 650 Mud Pro 4x4	A2011IFS4B	650	1	2011-2011		0.6	CPR8E	7411			
H1 FIS 4x4 Auto	A2007IBS4BUS	650	1	2007-2007		0.7	CPR8E	7411			

*Bitte Elektrodenabstand nach Angaben des Herstellers justieren

*Please adjust the ground electrode gap

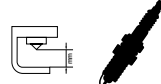
*Veuillez vérifier l'écartement

* Por favor, ajustar la distancia entre los electrodos

*Regolare il gap

* Iridium IX Spark Plug is the standard recommendation





Stock No.

Quick No.

Upgrade ↑

Stock No. ↑

ARCTIC CAT

H1 FIS 4x4 Auto	A2008IBS4BUS	650	1	2008-2008		0.7	CPR8E	7411			
H1 TBX 4x4 Auto	A2007BBS4BUS	650	1	2007-2007		0.7	CPR8E	7411			
H1 TRV 4x4 Auto	A2007TBS4BUS	650	1	2007-2007		0.7	CPR8E	7411			
H1 TRV 4x4 Auto	A2008TBS4BUS	650	1	2008-2008		0.7	CPR8E	7411			
TBX	A2009BBS4BUS	650	1	2009-2009		0.7	CPR8E	7411			
TRV	A2009TBS4BUS	650	1	2009-2009		0.7	CPR8E	7411			
700 4x4	A2012IBT4E	700	1	2012-2012		0.7	CPR8E	7411			
700 4x4	A2013IBT4E	700	1	2013-2013		0.7	CPR8E	7411			
700 4x4	A2014IBT4E	700	1	2014-2014		0.7	CPR8E	7411			
700 EFT		700	1	2014-2014		0.7	CPR8E	7411			
700 FIS 4x4 Auto	A2006IBT4CUS	700	1	2006-2006		0.7	CR6E	6965			
700 FIS 4x4 Auto	A2007IBT4CUS	700	1	2007-2007		0.7	CR6E	6965			
700 FIS 4x4 Auto EFI	A2008IBT4CUS	700	1	2008-2008		0.7	CR6E	6965			
700 GT	A2012AGT1P	700	1	2012-2012		0.7	CPR8E	7411			
700 GT	A2013AGT1P	700	1	2013-2013		0.7	CPR8E	7411			
700 TRV	A2010TBT4EUS	700	1	2010-2010		0.6	CPR8E	7411			
700 TRV	A2011TBT4EUS	700	1	2011-2011		0.6	CPR8E	7411			
700 TRV 4x4 Auto EFI	A2008TCT4CUS	700	1	2008-2008		0.7	CR6E	6965			
700 TRV 4x4 Auto LE	A2008TBT4CUS	700	1	2008-2008		0.7	CR6E	6965			
700 XT	A2013AGT1P	700	1	2013-2013		0.6	CPR8E	7411			
700 XT	A2014AGT1P	700	1	2014-2014		0.6	CPR8E	7411			
H1 700 EFI 4x4 Auto	A2009IBT4E	700	1	2009-2009		0.7	CPR8E	7411			
H1 700 EFI 4x4 Auto	A2010IBT4E	700	1	2010-2010		0.7	CPR8E	7411			
H1 700 EFI 4x4 Auto	A2011IBT4E	700	1	2011-2011		0.7	CPR8E	7411			
H1 700 EFI 4x4 Auto Mud Pro	A2009IFT4E	700	1	2009-2009		0.6	CPR8E	7411			
H1 700 EFI 4x4 Auto Mud Pro	A2010IFT4E	700	1	2010-2010		0.7	CPR8E	7411			
H1 700 EFI 4x4 Auto Mud Pro	A2011IFT4E	700	1	2011-2011		0.7	CPR8E	7411			
H1 700 EFI 4x4 TBX	A2010BBT4E	700	1	2010-2010		0.6	CPR8E	7411			
H1 700 FIS 4x4 Auto FIE	A2008IBT4EUS	700	1	2008-2008		0.7	CPR8E	7411			
H1 700s EFI	A2010IBT1P	700	1	2010-2010		0.7	CPR8E	7411			
H1 700s EFI	A2011IBT1P	700	1	2011-2011		0.7	CPR8E	7411			
H1 700s EFI TBX	A2011BBT1P	700	1	2011-2011		0.7	CPR8E	7411			
H1 700s EFI TRV	A2010TBT1P	700	1	2010-2010		0.7	CPR8E	7411			
H1 700s EFI TRV	A2011TBT1P	700	1	2011-2011		0.7	CPR8E	7411			
LTD 700	A2012ALT1P	700	1	2012-2012		0.6	CPR8E	7411			
LTD 700	A2013ALT1P	700	1	2013-2013		0.6	CPR8E	7411			
LTD 700	A2014ALT1P	700	1	2014-2014		0.6	CPR8E	7411			
Mud Pro 700	A2012IFT4E	700	1	2012-2012		0.6	CPR8E	7411			
Mud Pro 700	A2013MLT1P	700	1	2013-2013		0.6	CPR8E	7411			
Mud Pro LTD 700	A2012MLT1P	700	1	2012-2012		0.6	CPR8E	7411			
Mud Pro LTD 700	A2014MLT1P	700	1	2014-2014		0.6	CPR8E	7411			
TBX 700	A2013BCT1P	700	1	2013-2013		0.6	CPR8E	7411			
TBX 700	A2014BBT4E	700	1	2014-2014		0.6	CPR8E	7411			
TBX 700 GT	A2012BCT1P	700	1	2012-2012		0.6	CPR8E	7411			
TBX 700 T3S		700	1	2014-2014		0.6	CPR8E	7411			
TRV 700 Cruiser	A2009TCT4E	700	1	2009-2009		0.6	CPR8E	7411			
TRV 700 Cruiser	A2010TCT4E	700	1	2010-2010		0.6	CPR8E	7411			
TRV 700 Cruiser	A2012TCT1P	700	1	2012-2012		0.6	CPR8E	7411			
TRV 700 GT	A2012TGT1P	700	1	2012-2012		0.6	CPR8E	7411			
TRV 700 LTD	A2013TGT1P	700	1	2013-2013		0.6	CPR8E	7411			
TRV 700 LTD	A2014TCT1P	700	1	2014-2014		0.6	CPR8E	7411			

*Bitte Elektrodenabstand nach Angaben des Herstellers justieren

*Please adjust the ground electrode gap

*Veuillez vérifier l'écartement

* Por favor, ajustar la distancia entre los electrodos

*Regolare il gap

**Iridium IX Spark Plug is the standard recommendation





Stock No.

Quick No.

Upgrade ↑

Stock No. ↑

ARCTIC CAT

TRV 700s Cruiser	A2011TCT1PUS	700	1	2011-2011		0.6	CPR8E	7411			
TRV 700 XT	A2013TGT1P	700	1	2013-2013		0.6	CPR8E	7411			
TRV 700 XT	A2014TGT1P	700	1	2014-2014		0.6	CPR8E	7411			
TRV LTD		700	1	2015-2015		0.6	CPR8E	7411			
TRV XT		700	1	2015-2015		0.6	CPR8E	7411			
TRV XT EFT		700	1	2014-2014		0.6	CPR8E	7411			
TRV XT EFT		700	1	2015-2015		0.6	CPR8E	7411			
XT EFT		700	1	2014-2014		0.6	CPR8E	7411			
1000 GT	A2012AGW1P	1000	2	2012-2012		0.6	CPR8E	7411			
1000s TRV Cruiser	A2011TCW1P	1000	2	2011-2011		0.6	CPR8E	7411			
1000 TRV	A2009TBW4EUS	1000	2	2009-2009		0.6	CPR8E	7411			
1000 TRV	A2010TBW4EUS	1000	2	2010-2010		0.6	CPR8E	7411			
1000 TRV Cruiser	A2009TCW4E	1000	2	2009-2009		0.6	CPR8E	7411			
1000 TRV Cruiser	A2010TCW4E	1000	2	2010-2010		0.6	CPR8E	7411			
1000 TRV Cruiser	A2012TCW1P	1000	2	2012-2012		0.6	CPR8E	7411			
1000 TRV GT	A2012TGW1P	1000	2	2012-2012		0.6	CPR8E	7411			
1000 TRV LTD	A2013TCW1P	1000	2	2013-2013		0.6	CPR8E	7411			
1000 TRV LTD	A2014TCW1P	1000	2	2014-2014		0.6	CPR8E	7411			
1000 TRV XT EFT		1000	2	2014-2014		0.6	CPR8E	7411			
1000 XT	A2013AGW1P	1000	2	2013-2013		0.6	CPR8E	7411			
1000 XT	A2013AGW1P	1000	2	2014-2014		0.6	CPR8E	7411			
1000 XT EFT		1000	2	2014-2014		0.6	CPR8E	7411			
4X4 Auto Mud Pro	A2010IFW4EUS	1000	2	2010-2010		0.7	CPR8E	7411			
H2 1000 EFI Mud Pro	A2011IFW4E	1000	2	2011-2011		0.6	CPR8E	7411			
H2 1000s EFI	A2011IEW1P	1000	2	2011-2011		0.6	CPR8E	7411			
Mud Pro 1000	A2013MLW1P	1000	2	2013-2013		0.6	CPR8E	7411			
Mud Pro 1000 LTD	A2012MLW1P	1000	2	2012-2012		0.6	CPR8E	7411			
Mud Pro 1000 LTD	A2014MLW1P	1000	2	2014-2014		0.6	CPR8E	7411			
Thundercat 4x4 Auto	A2008IEW4EUS	1000	2	2008-2008		0.6	CPR8E	7411			
Thundercat 4x4 Auto FIS EFI	A2009IEW4EUS	1000	2	2009-2009		0.6	CPR8E	7411			
Thundercat 4x4 EFI	A2010IEW4EUS	1000	2	2010-2010		0.6	CPR8E	7411			

ARGO

Vanguard 2 6X6		480	2	-	BRIGGS & STRATTON 16hp OHV	0.6	BKR5E	7938		BKR5EIX	6341
Vanguard 6X6		480	2	-	BRIGGS & STRATTON 16hp OHV	0.6	BKR5E	7938		BKR5EIX	6341
Bigfoot 6X6		570	2	-	BRIGGS & STRATTON 18hp OHV	0.6	BKR5E	7938		BKR5EIX	6341
Response 8X8		570	2	-	BRIGGS & STRATTON 18hp OHV	0.6	BKR5E	7938		BKR5EIX	6341
Conquest 6X6		614	2	-	KAWASAKI Engine FD620D 20hp	0.6	BKR5E	7938		BKR5EIX	6341
Conquest 8X8		617	2	-	KAWASAKI Engine FD620D 20hp	0.6	BMR4A	5728			
Avenger 8X8		674	2	-		0.6	BMR4A	5728			

ATK

Mini Quad		50	1	2001-		0.5	B7HS	5110		BR7HIX	7067
Mini Quad		90	1	2001-		0.5	B7HS	5110		BR7HIX	7067

AXR

250 UT		250	1	2006-		0.7	DR8EA	7162		DR8EIX	6681
---------------	--	-----	---	-------	--	-----	-------	------	--	--------	------

* Bitte Elektrodenabstand nach Angaben des Herstellers justieren

* Please adjust the ground electrode gap

* Veuillez vérifier l'écartement

* Por favor, ajustar la distancia entre los electrodos

* Regolare il gap

* Iridium IX Spark Plug is the standard recommendation





Stock No.

Quick No.

Upgrade ↑

Stock No. ↑

BAROSSA MOTOR

Mini		50	1	-		0.6	BPR7HS	6422		BPR7HIX	5944
Python		50	1	-		0.8	BPR7HS	6422		BPR7HIX	5944
Python		100	1	-		0.8	BPR7HS	6422		BPR7HIX	5944
T-13	XS	125	1	2007-		0.8	CR7HSA	4549		CR7HIX	7544
Magna		150	1	-		0.7	DR8EA	7162		DR8EIX	6681
Magna		170	1	-		0.7	DR8EA	7162		DR8EIX	6681
Magna		250	1	-		0.7	DR8EA	7162		DR8EIX	6681

BLANEY

FX 70		79	1	1999-		0.7	BP7HS	5111		BPR7HIX	5944
FX 90		90	1	2000-		0.7	BP7HS	5111		BPR7HIX	5944
FX 100		100	1	2000-		0.7	BP7HS	5111		BPR7HIX	5944

BLAST

50		50	1	-		0.5	B7HS	5110		BR7HIX	7067
100		100	1	-		0.5	B7HS	5110		BR7HIX	7067

BOROSSI

BB 650		650	2	-		0.6	BP6ES	7811		BPR6EIX	6637
BB 1600		1600	4	-		0.7	BCPR7E	1272			

BOSS

X2S1-90R		90	1	-		0.6	BP6HS	4511		BPR6HIX	4085
X4SZ-150R		155	1	-		0.6	BP6HS	4511		BPR6HIX	4085

CAN-AM

DS 50	DS	50	1	2002-2003		0.7	BPR7HS	6422		BPR7HIX	5944
DS 50	DS	50	1	2004-	ROTAX	0.7	BR9ECS	3570		BR9ECSIX	5438
Quest 50		50	1	2003-		0.8	BPR7HS	6422		BPR7HIX	5944
Quest 50		50	1	2004-		0.5	BR9ECS	3570		BR9ECSIX	5438
DS 70	DS	70	1	2009-		0.7	C6HSA	3228		CR6HIX	7274
DS 175	DS	90	1	2009-		0.7	C6HSA	3228		CR6HIX	7274
DS 90	DS	90	1	2002-		0.7	CR7HSA	4549		CR7HIX	7544
DS 90	DS	90	1	2002-2003		0.7	BPR7HS	6422		BPR7HIX	5944
DS 90	DS	90	1	2004-		0.7	BR9ECS	3570		BR9ECSIX	5438
Quest 90		90	1	2003-		0.7	CR7HSA	4549		CR7HIX	7544
Quest 90		90	1	2004-		0.5	BR9ECS	3570		BR9ECSIX	5438
Rally 200		175	1	2004-		0.7	CR8E	4854	Q226	CR8EIX	4218
Rally 200 4x2		200	1	2002-		0.6	CR8E	4854	Q226	CR8EIX	4218
DS 250	DS	250	1	-		0.6	CR8E	4854	Q226	CR8EIX	4218
Outlander 325 2x4	HO	330	1	2004-		0.6	DCPR8E	4339		DCPR8EIX	6546
Outlander 325 4x4	HO	330	1	2004-		0.6	DCPR8E	4339		DCPR8EIX	6546
Outlander 330		330	1	2004-	ROTAX	0.5	BR9ECS	3570		BR9ECSIX	5438
Outlander 400 2x4	HO	400	2	2004-		0.6	DCPR8E	4339		DCPR8EIX	6546
Outlander 400 4x4		400	2	2003-		0.6	DCPR8E	4339		DCPR8EIX	6546
Outlander 400 4x4	HO	400	2	2004-		0.6	DCPR8E	4339		DCPR8EIX	6546
Outlander 400 Max	HO	400	2	2004-		0.6	DCPR8E	4339		DCPR8EIX	6546
Outlander 400 XT	HO	400	2	2004-		0.6	DCPR8E	4339		DCPR8EIX	6546
Quest 498		498	1	2003-		0.5	BR9ECS	3570		BR9ECSIX	5438
Traxter 498		498	1	2003-		0.5	BR9ECS	3570		BR9ECSIX	5438
500		500	1	2002-		0.9	DCPR8E	4339		DCPR8EIX	6546
Max		500	2	-		0.6	DCPR8E	4339		DCPR8EIX	6546
Outlander		500	2	-		0.6	DCPR8E	4339		DCPR8EIX	6546
Quest 514 4x4		500	2	2004-		0.6	DCPR8E	4339		DCPR8EIX	6546

*Bitte Elektrodenabstand nach Angaben des Herstellers justieren

*Please adjust the ground electrode gap

*Veuillez vérifier l'écartement

* Por favor, ajustar la distancia entre los electrodos

*Regolare il gap

** Iridium IX Spark Plug is the standard recommendation





Stock No.

Quick No.

Upgrade ↑

Stock No. ↑

CAN-AM

Traxter 500 - 4x4		500	1	2000-2002		0.6	DR8EA	7162		DR8EIX	6681
Traxter 500 7401		500	1	1999-		0.7	DR8EA	7162		DR8EIX	6681
Traxter 500 7414		500	1	1998-		0.7	DR8EA	7162		DR8EIX	6681
Traxter 500 - Footshift		500	1	2000-2002		0.6	DR8EA	7162		DR8EIX	6681
Traxter 500 Rotax		500	1	2003-		0.7	BR9ECS	3570		BR9ECSIX	5438
Traxter 500 - SM		500	1	2000-2002		0.6	DR8EA	7162		DR8EIX	6681
Traxter 500 - XL		500	1	2000-2002		0.6	DR8EA	7162		DR8EIX	6681
Traxter 500 - XT		500	1	2000-2002		0.6	DR8EA	7162		DR8EIX	6681
Traxter 511 4x4 XL		500	1	2004-		0.6	DR8EA	7162		DR8EIX	6681
Traxter 511 4x4 XT		500	1	2004-		0.6	DR8EA	7162		DR8EIX	6681
XT		500	2	-		0.6	DCPR8E	4339		DCPR8EIX	6546
Quest 644		644	1	2003-		0.5	BR9ECS	3570		BR9ECSIX	5438
DS 650 4x2		650	1	2000-		0.6	DR8EA	7162		DR8EIX	6681
DS 654 Baja		650	1	2004-		0.6	DR8EA	7162		DR8EIX	6681
DS 654 Baja X		650	1	2004-		0.6	DR8EA	7162		DR8EIX	6681
Outlander 650 H.O.EFI 4x4		650	1	2004-		0.6	DCPR8E	4339		DCPR8EIX	6546
Outlander 650 Max		650	2	-		0.6	DCPR8E	4339		DCPR8EIX	6546
Outlander 650 XT		650	2	-		0.6	DCPR8E	4339		DCPR8EIX	6546
Quest 610		650	1	2003-		0.7	BR9ECS	3570		BR9ECSIX	5438
Quest 610 4x4		650	1	2002-2003		0.6	DR8EA	7162		DR8EIX	6681
Quest 610 Max		650	1	2002-2003		0.6	DR8EA	7162		DR8EIX	6681
Quest 610 XT		650	1	2002-2003		0.6	DR8EA	7162		DR8EIX	6681
Quest 650 4x4		650	1	2002-		0.6	DCPR8E	4339		DCPR8EIX	6546
Traxter 650 DR		650	1	2000-		0.7	DR8EA	7162		DR8EIX	6681
Traxter 650 DS		650	1	2000-		0.7	DR8EA	7162		DR8EIX	6681
Quest 653 DS		653	1	2003-		0.5	BR9ECS	3570		BR9ECSIX	5438
Outlander 800		800	2	2007-		0.6	DCPR8E	4339		DCPR8EIX	6546
Outlander 800 Max R		800	2	-		0.6	DCPR8E	4339		DCPR8EIX	6546
Outlander 800 Max R LTD		800	2	-		0.6	DCPR8E	4339		DCPR8EIX	6546
Outlander 800 Max R XT		800	2	-		0.6	DCPR8E	4339		DCPR8EIX	6546
Outlander 800 Max XT-P		800	2	-		0.6	DCPR8E	4339		DCPR8EIX	6546
Outlander 800 X mr		800	2	-		0.6	DCPR8E	4339		DCPR8EIX	6546
Outlander 800 X xc		800	2	-		0.6	DCPR8E	4339		DCPR8EIX	6546
Outlander 800 XY		800	2	-		0.6	DCPR8E	4339		DCPR8EIX	6546
Renegade 8000 R		800	2	-		0.6	DCPR8E	4339		DCPR8EIX	6546
Renegade 8000 X xc		800	2	-		0.6	DCPR8E	4339		DCPR8EIX	6546
Maverick 1000		1000	2	2013-		0.9	LMAR8C-9	93833			

CANNONDALE

Blaze, Speed 4x2		440	1	2002-		0.7	CR9EK	5600	Q230		
Cannibal 4x2		440	1	2002-		0.7	CR9EK	5600	Q230		
Glamis		440	1	2003-		0.7	CR9EK	5600	Q230		
Moto		440	1	2002-		0.7	CR9EK	5600	Q230		

CARTER

10.0 HP Tecumesh			1	-		0.6	BR4-LM	4133			
3.5 HP B&S			1	-		0.6	BR2-LM	5798			
5.0 HP B&S			1	-		0.6	BR2-LM	5798			
5.0 HP Tecumesh OHH50			1	-		0.8	BP6ES	7811		BPR6EIX	6637
5.5 HP Honda GX160			1	-		0.8	BPR6ES	7822		BPR6EIX	6637
6.0 HP Tecumesh OHH60			1	-		0.7	BR6ES	4922			

*Bitte Elektrodenabstand nach Angaben des Herstellers justieren

*Please adjust the ground electrode gap

*Veuillez vérifier l'écartement

* Por favor, ajustar la distancia entre los electrodos

*Regolare il gap

* Iridium IX Spark Plug is the standard recommendation





Stock No.

Quick No.

Upgrade ↑

Stock No. ↑

CARTER

6.5 HP OHV Tecumesh			1	-		0.6	BR6ES	4922			
6.5 HP Tecumesh OHH65			1	-		0.8	BP6ES	7811		BPR6EIX	6637
8.0 HP B&S			1	-		0.6	BR2-LM	5798			
8.0 HP Tecumesh			1	-		0.6	BR4-LM	4133			
8.0 HP Tecuseh			1	-		0.6	BR6S	3522			
Engine SMC			1	-		0.8	CR7HSA	4549		CR7HIX	7544

CECTEK

Gladiator EFI		497	1	2007-		0.7	CR7E	4578	Q225	CR7EIX	7385
Quadrift EFI		497	1	2007-		0.7	CR7E	4578	Q225	CR7EIX	7385

COBRA -Quad

ECX80 AC		80	1	2009-		0.8	BPR7ES	2023		BPR7EIX	4055
----------	--	----	---	-------	--	-----	--------	------	--	---------	------

CPI

200		50	1	2003-		0.8	BR7ES	5122		BR7EIX	6664
ATV 50		50	1	-		0.7	BR7HS	4737		BR7HIX	7067
Crab 4x2		50	1	2002-		0.7	BR8HSA	5539			
Dirt Demon 4x2		50	1	2002-		0.7	BR8HSA	5539			
XT 50 R Quad		50	1	-		0.7	BR7HS	4737		BR7HIX	7067
ATV 100		100	1	-		0.7	BR7HS	4737		BR7HIX	7067
Crab 4x2		100	1	2002-		0.7	BR8HSA	5539			
Dirt Demon 4x2		100	1	2002-		0.7	BR8HSA	5539			
ATV 200		200	1	-		0.7	BR7HS	4737		BR7HIX	7067
XS 250		250	1	2006-		0.8	CR7HSA	4549		CR7HIX	7544

CUB CADET

4x2			1	-	KAWASAKI 10hp	0.7	BPR5ES	7422		BPR5EIX	6597
4x2			1	-	HONDA 18hp OHV	0.7	ZGR5A	5839			
6x4			1	-	HONDA 20hp OHV	0.7	ZGR5A	5839			

DAREN

4x2		50	1	1999-		0.7	BPR7HS	6422		BPR7HIX	5944
4x2		100	1	1999-		0.7	BPR7HS	6422		BPR7HIX	5944
4x2		125	1	1999-		0.6	DR8EA	7162		DR8EIX	6681
4x2		150	1	1999-		0.6	DR8EA	7162		DR8EIX	6681

DAZON

Stinger 50		50	1	-		0.8	CR7HSA	4549		CR7HIX	7544
Raider Classic 150R		150	1	-		0.7	CR7HSA	4549		CR7HIX	7544
Raider Max 150R		150	1	-		0.7	CR8E	4854	Q226	CR8EIX	4218
170		170	1	-		0.7	DR8EA	7162		DR8EIX	6681
Buggy 175		175	1	-		0.9	DPR8EA-9	4929	Q221	DPR8EIX-9	2202
Raider Max 175R		175	1	-		0.7	CR8E	4854	Q226	CR8EIX	4218
250		250	1	-		0.7	CR8HS	7423		CR8HIX	7669
Raider Max 250R		250	1	-		0.7	CR8E	4854	Q226	CR8EIX	4218

DINLI

Cobia	DL-503	50	1	-		0.6	BPR7HS	6422		BPR7HIX	5944
Diamond Back	DL601-50	50	1	-		0.8	BPR7HS	6422		BPR7HIX	5944
Dino	DL501-50	50	1	-		0.8	BPR7HS	6422		BPR7HIX	5944
Dino 4x2		50	1	2002-		0.8	BPR7HS	6422		BPR7HIX	5944
Helix		50	1	2004-		0.8	BPR7HS	6422		BPR7HIX	5944
JP	DL502-51	50	1	-		0.6	BPR7HS	6422		BPR7HIX	5944
T-Rex 4x2		50	1	2003-		0.8	BPR7HS	6422		BPR7HIX	5944

*Bitte Elektrodenabstand nach Angaben des Herstellers justieren

*Please adjust the ground electrode gap

*Veuillez vérifier l'écartement

* Por favor, ajustar la distancia entre los electrodos

*Regolare il gap

** Iridium IX Spark Plug is the standard recommendation





Stock No.

Quick No.

Upgrade ↑

Stock No. ↑

DINLI

Beast	DL602-90	90	1	-		0.8	BPR7HS	6422		BPR7HIX	5944
Diamond Back	DL601-90	90	1	-		0.8	BPR7HS	6422		BPR7HIX	5944
Helix	DL603-90	90	1	-		0.7	BPR7HS	6422		BPR7HIX	5944
Helix		100	1	2004-		0.8	BPR7HS	6422		BPR7HIX	5944
T-Rex 100		100	1	-		0.6	BP6HS	4511		BPR6HIX	4085
T-Rex 4x2		100	1	2003-		0.8	BPR7HS	6422		BPR7HIX	5944
Diablo	DL604-150	150	1	-		0.6	C7HSA	4629		CR7HIX	7544
Diablo		150	1	2004-		0.7	CR7HSA	4549		CR7HIX	7544
Enforcer	DL605-150	150	1	-		0.7	C7HSA	4629		CR7HIX	7544
Enforcer		150	1	2004-		0.7	CR7HSA	4549		CR7HIX	7544
Helix	DL603-150	150	1	-		0.7	C7HSA	4629		CR7HIX	7544
Helix		150	1	2004-		0.7	CR7HSA	4549		CR7HIX	7544
DL901	DMX	450	1	2005-		0.6	DCPR8E	4339		DCPR8EIX	6546

DRR

DRR 50		50	1	-		0.7	BP7HS	5111		BPR7HIX	5944
DRR 90		90	1	-		0.7	BP7HS	5111		BPR7HIX	5944
DRR 90 GT		90	1	-		0.7	C7HSA	4629		CR7HIX	7544

E.ATV

Evolution 510		510	1	-		0.6	DCPR8E	4179		DCPR8EIX	6546
Explorer 625		625	1	-		0.9	DPR8EA-9	4929	Q221	DPR8EIX-9	2202
Extreme 950		950	2	-		0.7	CR8EK	3478			
Energie 992		1000	2	-		0.6	DCPR8E	4179		DCPR8EIX	6546

EPPELLA

x Rider		150	1	2007-		0.7	CR7HSA	4549		CR7HIX	7544
Buggy 250 II		244	1	2007-		0.9	DPR7EA-9	5129	Q220	DPR7EIX-9	7803

ERING

Tornado 50		50	1	-		0.7	BP7HS	5111		BPR7HIX	5944
Bug Rider BR250 Dual Seat		250	1	-		0.9	DPR7EA-9	5129	Q220	DPR7EIX-9	7803

ETON

JLX 50 Viper Junior 4x2		40	1	2003-		0.6	BPM7A	7321			
BXL 50 Draco		50	1	2006-		0.7	BPR7HS	6422		BPR7HIX	5944
RXL 50 Viper 4x2		50	1	2002-		0.7	BPR7HS	6422		BPR7HIX	5944
DXL 90 Sierra Ranger 4x2		90	1	2003-		0.7	BPR7HS	6422		BPR7HIX	5944
Viper 4x2		90	1	2002-		0.7	BPR7HS	6422		BPR7HIX	5944
Challenger 150		150	1	1999-		0.6	C7HSA	4629		CR7HIX	7544
YXL 150 Yukon 4x2		150	1	1998-		0.6	C7HSA	4629		CR7HIX	7544
Vector		250	1	-		0.7	CR8E	4854	Q226	CR8EIX	4218
Vector		300	1	-		0.7	CR8E	4854	Q226	CR8EIX	4218

EXPLORER

Atlas 500		500	1	-		0.9	DPR7EA-9	5129	Q220	DPR7EIX-9	7803
Everest 500		500	1	-		0.9	DPR7EA-9	5129	Q220	DPR7EIX-9	7803
Grumbler 525		525	1	-		0.9	DPR7EA-9	5129	Q220	DPR7EIX-9	7803
Bazooka 625		625	1	-		0.9	DPR7EA-9	5129	Q220	DPR7EIX-9	7803
Grison 625		625	1	-		0.9	DPR7EA-9	5129	Q220	DPR7EIX-9	7803

FOX

50 4x2		50	1	2000-		0.8	BPR7HS	6422		BPR7HIX	5944
50 VR Sport		50	1	2001-		0.8	BPR7HS	6422		BPR7HIX	5944

* Bitte Elektrodenabstand nach Angaben des Herstellers justieren

* Please adjust the ground electrode gap

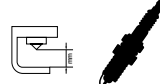
* Veuillez vérifier l'écartement

* Por favor, ajustar la distancia entre los electrodos

* Regolare il gap

* Iridium IX Spark Plug is the standard recommendation





Stock No.

Quick No.

Upgrade ↑

Stock No. ↑

FOX

90 MT		90	1	1999-		0.8	CR7HSA	4549		CR7HIX	7544
100		100	1	2000-		0.8	BPR7HS	6422		BPR7HIX	5944

G+G

Quad 1130		1130	2	2003-		*	BKR7EKC	7354			
-----------	--	------	---	-------	--	---	---------	------	--	--	--

GAS GAS

Quad 50		50	1	-		0.7	B9ES	2611	Q202	BR9EIX	3981
Quad 250		250	1	2007-		0.7	DPR7EA-9	5129	Q220	DPR7EIX-9	7803
Wild 300 4x2		300	1	2003-		0.6	BR8EG	3130			
Wild 450 4x2		450	1	2003-		0.6	CR8E	4854	Q226	CR8EIX	4218

GILERA

Oregon		250	1	-		0.6	CR8EB	7784			
--------	--	-----	---	---	--	-----	-------	------	--	--	--

HERKULES

ATV 50 RS XXL		50	1	2005-		0.8	BPR7HS	6422		BPR7HIX	5944
ATV 50 VG		50	1	2004-		0.7	BP7HS	5111		BPR7HIX	5944
ATV 50 VS		50	1	2004-		0.7	BP7HS	5111		BPR7HIX	5944
ATV 100 V		100	1	2004-		0.8	BPR7HS	6422		BPR7HIX	5944
ATK 125 R Go Kart		125	1	2004-		0.7	C7HSA	4629		CR7HIX	7544
ATV 150 S		150	1	2004-		0.7	CR8E	4854	Q226	CR8EIX	4218
ATV 150 U		150	1	2004-		0.7	CR8E	4854	Q226	CR8EIX	4218
ATV 300 S		300	1	2004-		0.7	DR8EA	7162		DR8EIX	6681
ATV 300 U		300	1	2004-		0.7	DR8EA	7162		DR8EIX	6681

HONDA

ATC 70	ATC	70	1	1983-1985	Constr.Code D / E / F	0.7	CR7HSA	4549		CR7HIX	7544
TRX 70 H 4x2	TRX	70	1	1987-		0.7	CR7HSA	4549		CR7HIX	7544
ATC 90	ATC	90	1	1970-		0.6	D8HA	7112			
Foutrax		90	1	2008-		0.7	CR7HSA	4549		CR7HIX	7544
TRX 90 4x2	TRX	90	1	2002-		0.7	CR7HSA	4549		CR7HIX	7544
TRX 90 X	TRX	90	1	2009-		0.7	CR7HSA	4549		CR7HIX	7544
ATC 110 C	ATC	110	1	1982-1983		0.7	DR8HS	5123			
ATC 110 D	ATC	110	1	1982-1983		0.7	DR8HS	5123			
ATC 125 M	ATC	125	1	1984-1987	Constr.Code E/F/G/H	0.7	DR8ES-L	2923	Q218	DR9EIX	4772
Trax 125		125	1	-		0.7	DR8ES-L	2923	Q218	DR9EIX	4772
TRX 125 4x2	TRX	125	1	1985-1988	Construction F / G / H / J	0.7	DR8ES-L	2923	Q218	DR9EIX	4772
ATC 185	ATC	185	1	-		0.7	D8EA	2120	Q216	DR8EIX	6681
ATC 185 S	ATC	185	1	1980-1984	Constr.Code A/B/C/D	0.7	DR8ES-L	2923	Q218	DR9EIX	4772
ATC 200	ATC	200	1	1981-		0.7	DR8ES-L	2923	Q218	DR9EIX	4772
TRX 200 D	TRX	200	1	1995-1997	Constr.Code S/T/V	0.7	DR8ES-L	2923	Q218	DR9EIX	4772
TRX 200 SX	TRX	200	1	1986-1988	Constr.Code G/H/J	0.7	DR8ES-L	2923	Q218	DR9EIX	4772
TRX 250 M	TRX	200	1	1991-		0.7	DR8ES-L	2923	Q218	DR9EIX	4772
ATC 250 ES	ATC	250	1	1986-1988	Constr.Code G/H/J	0.7	DR8ES-L	2923	Q218	DR9EIX	4772
ATC 250 R	ATC	250	1	1981-1985	Constr.Code B/C/D/E	0.7	BR8ES	5422	Q207	BR8EIX	5044
ATC 250 R	ATC	250	1	1985-1986	Constr.Code F/G	0.7	BR9ES	5722		BR9EIX	3981
FL 250	FL	250	1	-		0.8	BR9ES	5722		BR9EIX	3981
TRX 1-U 4x2	TRX	250	1	-2001		0.9	DPR8EA-9	4929	Q221	DPR8EIX-9	2202
TRX 250	TRX	250	1	-		0.6	DR8ES-L	2923	Q218	DR9EIX	4772
TRX 250 4x2	TRX	250	1	1997-	Constr.Code V/W/X/Y/1	0.9	DPR8EA-9	4929	Q221	DPR8EIX-9	2202
TRX 250 EX 4x2	TRX	250	1	2002-		0.9	DPR8EA-9	4929	Q221	DPR8EIX-9	2202

*Bitte Elektrodenabstand nach Angaben des Herstellers justieren

*Please adjust the ground electrode gap

*Veuillez vérifier l'écartement

* Por favor, ajustar la distancia entre los electrodos

*Regolare il gap

**Iridium IX Spark Plug is the standard recommendation





Stock No.

Quick No.

Upgrade ↑

Stock No. ↑

HONDA

TRX 250 Fourtrax		250	1	2008-		0.9	DPR8EA-9	4929	Q221	DPR8EIX-9	2202
TRX 250 Fourtrax 4x2	TRX	250	1	2002-		0.9	DPR8EA-9	4929	Q221	DPR8EIX-9	2202
TRX 250 H	TRX	250	1	1987-		0.7	DR8ES-L	2923	Q218	DR9EIX	4772
TRX 250 R	TRX	250	1	1986-1988	Constr.Code G/H/J	0.6	BR9ES	5722		BR9EIX	3981
TRX 250 TE	TRX	250	1	2003-		0.9	DPR8EA-9	4929	Q221	DPR8EIX-9	2202
TRX 250 TM 4x2	TRX	250	1	-2000		0.9	DPR8EA-9	4929	Q221	DPR8EIX-9	2202
TRX 250 X	TRX	250	1	1987-1991	Constr.Code H>M	0.7	DR8ES-L	2923	Q218	DR9EIX	4772
TRX 300	TRX	300	1	2009-		0.7	DR8ES-L	2923	Q218	DR9EIX	4772
TRX 300 4x2	TRX	300	1	-2001	Constr.Code >Y	0.9	DPR8EA-9	4929	Q221	DPR8EIX-9	2202
TRX 300 EX	TRX	300	1	1993-		0.6	DR8ES-L	2923	Q218	DR9EIX	4772
TRX 300 EX Sportrax	TRX	300	1	2006-		0.7	DR8ES-L	2923	Q218	DR9EIX	4772
TRX 300 FW 4x4	TRX	300	1	-2001	Constr.Code J>Y	0.9	DPR8EA-9	4929	Q221	DPR8EIX-9	2202
TRX 300 N	TRX	300	1	1992-		0.9	DPR8EA-9	4929	Q221	DPR8EIX-9	2202
ATC 350 X	ATC	350	1	-		0.7	DR8ES-L	2923	Q218	DR9EIX	4772
FL 350 R	FL	350	1	-		0.8	BR9ES	5722		BR9EIX	3981
TRX 350	TRX	350	1	1993-		0.6	DR8ES-L	2923	Q218	DR9EIX	4772
TRX 350 D	TRX	350	1	1987-1989	Constr.Code H/J/K	0.7	DR8ES-L	2923	Q218	DR9EIX	4772
TRX 350 FE 4x4	TRX	350	1	2001-		0.9	DPR7EA-9	5129	Q220	DPR7EIX-9	7803
TRX 350 FM 4x4	TRX	350	1	2001-		0.9	DPR7EA-9	5129	Q220	DPR7EIX-9	7803
TRX 350 TE	TRX	350	1	2005-		0.9	DPR7EA-9	5129	Q220	DPR7EIX-9	7803
TRX 350 TM 4x2	TRX	350	1	2001-		0.9	DPR7EA-9	5129	Q220	DPR7EIX-9	7803
TRX 400	TRX	400	1	2009-		0.7	DPR8Z	4730			
TRX 400 EX Fourtrax 4x2	TRX	400	1	1999-		0.7	DPR8Z	4730			
TRX 400 FA	TRX	400	1	2004-		0.9	DPR8EA-9	4929	Q221	DPR8EIX-9	2202
TRX 400 FGA	TRX	400	1	2004-		0.9	DPR8EA-9	4929	Q221	DPR8EIX-9	2202
TRX 400 FW Foreman 4x2	TRX	400	1	1996-		0.8	DPR7EA-9	5129	Q220	DPR7EIX-9	7803
TRX 420 FA	TRX	420	1	2010-		1.1	BKR5E-11	6953		BKR5EIX-11	5464
TRX 420 FE	TRX	420	1	2008-		1.1	BKR5E-11	6953		BKR5EIX-11	5464
TRX 420 FE	TRX	420	1	2010-		1.1	BKR5E-11	6953		BKR5EIX-11	5464
TRX 420 FM	TRX	420	1	2010-		1.1	BKR5E-11	6953		BKR5EIX-11	5464
TRX 420 FPA	TRX	420	1	2010-		1.1	BKR5E-11	6953		BKR5EIX-11	5464
TRX 420 FPM	TRX	420	1	2010-		1.1	BKR5E-11	6953		BKR5EIX-11	5464
TRX 420 TA	TRX	420	1	2010-		1.1	BKR5E-11	6953		BKR5EIX-11	5464
TRX 420 TE	TRX	420	1	2010-		1.1	BKR5E-11	6953		BKR5EIX-11	5464
TRX 450 ER	TE32U	450	1	2006-2009		1.1	IFR8H11	5068			
TRX 450 ES	TRX	450	1	2004-		0.9	DPR7EA-9	5129	Q220	DPR7EIX-9	7803
TRX 450 ESW Foreman 4x4	TRX	450	1	1998-		0.8	DPR7EA-9	5129	Q220	DPR7EIX-9	7803
TRX 450 FE	TRX	450	1	2002-		0.9	DPR7EA-9	5129	Q220	DPR7EIX-9	7803
TRX 450 R	TE32U	450	1	2006-2009		1.1	IFR8H11	5068			
TRX 500 FA Rubicon 4x4	TRX	500	1	2001-		0.9	JR7A9	7901			
TRX 650 FA	TRX	650	1	2005-		1.1	IFR5L11	6502			
TRX 650 FGA	TRX	650	1	2005-		1.1	IFR5L11	6502			
TRX 650 Rincon	TRX	650	1	2005-		1.1	IFR5L11	6502			
FGA Fourtrax Rincon	TRX	680	1	2006-		1.1	IFR5L11	6502			
TRX 680 FA	TRX	680	1	2010-		1.1	IFR5L11	6502			
TRX 700	TRX	700	1	-		1.1	ZFR7F-11	2975			

HUSQVARNA

QM 450	QM	450		2005-		0.7	CR8EB	7784			
---------------	----	-----	--	-------	--	-----	-------	------	--	--	--

* Bitte Elektrodenabstand nach Angaben des Herstellers justieren

* Please adjust the ground electrode gap

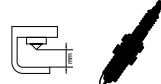
* Veuillez vérifier l'écartement

* Por favor, ajustar la distancia entre los electrodos

* Regolare il gap

* Iridium IX Spark Plug is the standard recommendation





Stock No.

Quick No.

Upgrade ↑

Stock No. ↑

HYMOTO

HQ 70		70	1	-		0.7	C7HSA	4629		CR7HIX	7544
HQ 110		110	1	-		0.7	C7HSA	4629		CR7HIX	7544
HQ 200 SRL		200	1	-		0.7	DR8EA	7162		DR8EIX	6681
HQ 300 4x4		300	1	-		0.7	DR8EA	7162		DR8EIX	6681
HQ 300 SRL		300	1	-		0.7	DR8EA	7162		DR8EIX	6681

HYOSUNG

50 4x2		50	1	2003-		0.8	BP6HS	4511		BPR6HIX	4085
HY 50	HY	50	1	2005-		0.7	CR7HSA	4549		CR7HIX	7544
Wow 50		50	1	2004-		0.7	BP7HS	5111		BPR7HIX	5944
90 4x2		90	1	2003-		0.8	BPR7HS	6422		BPR7HIX	5944
Wow 90		90	1	2004-		0.7	BP7HS	5111		BPR7HIX	5944
450 R		450	1	2007-		0.6	CR8E	4854	Q226	CR8EIX	4218
450 Rapier		450	1	2010-		0.6	CR8E	4854	Q226	CR8EIX	4218
TE 450	TE	450	1	2007-		0.6	CR8E	4854	Q226	CR8EIX	4218

HYTRACK

HY 420 4x4	HY	420	1	-		0.6	DR8EA	7162		DR8EIX	6681
HY 550	HY	550	2	2008-	LINHAI	0.6	DR8EA	7162		DR8EIX	6681

JOHN DEERE

Gator Kawasaki	FE250D	250	1	-		0.7	BPR5ES	7422		BPR5EIX	6597
Gator Kawasaki	FE290D	290	1	-		0.7	BPR5ES	7422		BPR5EIX	6597
Buck		500	1	2004-		0.7	DR8EA	7162		DR8EIX	6681
Trail Buck		500	1	2004-		0.9	DCPR8E	4339		DCPR8EIX	6546
Trail Buck		650	1	2004-		0.9	DCPR8E	4339		DCPR8EIX	6546
Gator 6x4		854	3	-		0.9	BMR2A-10	4452			

KARCHER

KM 170-8		170	1	-		0.7	DR8EA	7162		DR8EIX	6681
KM 250-10		250	1	-		0.7	CR8HS	7423		CR8HIX	7669
KM 250-11		250	1	-		0.7	CR8HS	7423		CR8HIX	7669
KM 250-9		250	1	-		0.7	CR8HS	7423		CR8HIX	7669

KAWASAKI

KFX 50 A KSF	LM4AA/RK7AA/WA04A	50	1	2003-2006	Constr.Code 1-3, 6F	0.7	BPR4HS	7823			
KFX 50 B KSF	LM4AA/RK7AA/WA04A	50	1	2007-2009	Constr.Code 7F-9F, 9S	0.8	CR7HSA	4549		CR7HIX	7544
KFX 50 KSF	LM4AA/RK7AA/WA04A	50	1	2013-2015	Constr.Code B/D/F-FF	0.8	CR7HSA	4549		CR7HIX	7544
KFX 80 A	LM4AC/RK7AC11C	80	1	2003-2006	Constr.Code 1-3, 6F	0.6	BPR7HS	6422		BPR7HIX	5944
KFX 90 A	WE07A	90	1	2007-2015	Constr.Code 7F-9F, AF-FF	0.8	CR7HSA	4549		CR7HIX	7544
KLF 110 A Mojave	KLF	110	1	1987-1988	Constr.Code 1-2	0.7	C6HSA	3228		CR6HIX	7274
KLF 110 B Mojave	KLF	110	1	1987-1988	Constr.Code 1-2	*	C6HA	4712			
KLF 185 A Bayou	KLF	185	1	1985-1988	Constr.Code 1-4	0.6	D8EA	2120	Q216	DR8EIX	6681
KLF 220 A Bayou	LF220A	220	1	1988-1991	Constr.Code 1-4	0.7	DR8ES	5423	Q217	DR8EIX	6681
KLF 220 A Bayou	LF220A	220	1	2000-2002	Constr.Code 5-15	0.7	DR8ES	5423	Q217	DR8EIX	6681
KDX 250		250	1	-		0.8	BR8ES	5422	Q207	BR8EIX	5044
KDX 250		250	1	1991-		0.8	BR9ES	5722		BR9EIX	3981
KDX 250 SR		250	1	1992-		0.8	BR8ES	5422	Q207	BR8EIX	5044
KFX 250 A Mojave	KSF	250	1	1987-1999	Constr.Code 1-13	0.9	DP8EA-9	5829		DPR8EIX-9	2202
KFX 250 A Mojave	KSF	250	1	2000-2003	Constr.Code 14-17	0.9	DPR8EA-9	4929	Q221	DPR8EIX-9	2202
KLF 250 A Bayou	LF250A	250	1	2003-2009	Constr.Code 1-3, 6F-9F	0.7	DR8ES	5423	Q217	DR8EIX	6681
KLF 250 A Bayou	LF250A	250	1	2010-2011	Constr.Code F-BF	0.7	DR8ES	5423	Q217	DR8EIX	6681

*Bitte Elektrodenabstand nach Angaben des Herstellers justieren

*Please adjust the ground electrode gap

*Veuillez vérifier l'écartement

* Por favor, ajustar la distancia entre los electrodos

*Regolare il gap

** Iridium IX Spark Plug is the standard recommendation





Stock No.

Quick No.

Upgrade ↑

Stock No. ↑

KAWASAKI

KSF 250		250	1	1987-2004		0.9	DPR8EA-9	4929	Q221	DPR8EIX-9	2202
KEF 300 A Lakota	KEF	300	1	1995-1999	Constr.Code 1-5	0.7	D8EA	2120	Q216	DR8EIX	6681
KEF 300 A Lakota	KEF	300	1	2000-2000	Constr.Code from 6	0.7	DR7EA	7839		DR7EIX	5686
KEF 300 B Lakota Sport	KEF	300	1	2001-2003	Constr.Code 1-3	0.6	DR8EA	7162		DR8EIX	6681
KFX 300	KFX	300	1	1995-		0.6	DR7EA	7839		DR7EIX	5686
KLF 300 2x4	KLF	300	1	2005-		0.7	DR7EA	7839		DR7EIX	5686
KLF 300 4x4	KLF	300	1	2005-		0.7	DR7EA	7839		DR7EIX	5686
KLF 300 A	KLF	300	1	1986-1987		0.8	B8ES	2411	Q201	BR8EIX	5044
KLF 300 B Bayou	KLF	300	1	1988-1988	Constr.Code 1	0.8	BR8ES	5422	Q207	BR8EIX	5044
KLF 300 B Bayou	KLF	300	1	1989-1991	Constr.Code 2-4	0.7	D8EA	2120	Q216	DR8EIX	6681
KLF 300 B Bayou	KLF	300	1	1992-1999	Constr.Code 6-12	0.7	D8EA	2120	Q216	DR8EIX	6681
KLF 300 B Bayou	LF300B	300	1	2000-2004	Constr.Code 13-17	0.6	DR8EA	7162		DR8EIX	6681
KLF 300 C Bayou 4x4	LF300C	300	1	1989-1996	Constr.Code 1-8	0.7	D8EA	2120	Q216	DR8EIX	6681
KLF 300 C Bayou 4x4	LF300C	300	1	1997-1999	Constr.Code 9-11	0.7	D8EA	2120	Q216	DR8EIX	6681
KLF 300 C Bayou 4x4	LF300C	300	1	2000-2004	Constr.Code 12-16	0.6	DR8EA	7162		DR8EIX	6681
KVF 300 A Prairie 4x4	KVF	300	1	1999-2002	Constr.Code 1-4	0.6	DR8EA	7162		DR8EIX	6681
KVF 300 B Prairie	KVF	300	1	1999-2002	Constr.Code 1-4	0.6	DR8EA	7162		DR8EIX	6681
KVF 300 C Brute Force	VF300C	300	1	2012-2015	Constr.Code F-FF	0.9	DPR7EA-9	5129	Q220	DPR7EIX-9	7803
Mule 550		300	1	1997-2004		0.7	BPR5ES	7422		BPR5EIX	6597
KVF 360 A Prairie 4x4	KVF	360	1	2003-2013	Constr.Code 1-3, 6F-9F, AF-DF	0.9	DPR8EA-9	4929	Q221	DPR8EIX-9	2202
KVF 360 B Prairie 4x2	F360B	360	1	2003-2009	Constr.Code 1-3, 6F-9F	0.9	DPR8EA-9	4929	Q221	DPR8EIX-9	2202
KVF 360 C Prairie 4X4 Advantage Classic	KVF	360	1	2003-	Constr.Code 1-3, 6F-9F, AF-DF	0.9	DPR8EA-9	4929	Q221	DPR8EIX-9	2202
KVF 360 C Prairie 4X4 Hardwoods Green HD	KVF	360	1	2004-2009	Constr.Code 2-3, 6F-9F	0.9	DPR8EA-9	4929	Q221	DPR8EIX-9	2202
KVF 360 C Prairie 4X4 Realtree APG HD	KVF	360	1	2010-2011	Constr.Code AF-BF	0.9	DPR8EA-9	4929	Q221	DPR8EIX-9	2202
KAF 400 Mule 600		400	1	2005-		0.7	BPR5ES	7422		BPR5EIX	6597
KAF 400 Mule 610		400	1	2007-		0.7	BPR5ES	7422		BPR5EIX	6597
KFX 400 A KSF	KSF	400	1	2003-2006	Constr.Code 1-3, 6F	0.7	CR7E	4578	Q225	CR7EIX	7385
KLF 400 B Bayou 4x4	KLF	400	1	1993-1999	Constr.Code 1-7	0.9	DPR8EA-9	4929	Q221	DPR8EIX-9	2202
KVF 400 A Prairie 4x4	KVF	400	1	1997-1999	Constr.Code 1	0.9	DPR8EA-9	4929	Q221	DPR8EIX-9	2202
KVF 400 B Prairie	KVF	400	1	1998-1998	Constr.Code 1	0.9	DPR8EA-9	4929	Q221	DPR8EIX-9	2202
KVF 400 C Prairie 4x4	KVF	400	1	1999-2002	Constr.Code 1-3	0.9	DPR8EA-9	4929	Q221	DPR8EIX-9	2202
KVF 400 D Prairie	KVF	400	1	1999-2002	Constr.Code 1-3	0.9	DPR8EA-9	4929	Q221	DPR8EIX-9	2202
KAF 450 B Mule 1000		450	1	1990-1995		0.7	D6EA	7512			
KFX 450 B R	SF450B	450	1	2010-2014	Constr.Code AF-EF	0.9	CPR8EB-9	6607			
KFX 450 R KSF	SF450B	450	1	2008-2009	Constr.Code B8F-B9F, 8FA-9FB	0.9	CPR8EB-9	6607			
KAF 540 C Mule 2010		540	1	1990-1993		0.6	BPR5ES	7422		BPR5EIX	6597
KAF 620 Mule 2510		620	2	1993-2002		0.6	BMR2A	7677			
KAF 620 Mule 3010		620	2	2001-		0.6	BPR2ES	2264			
KAF 620 Mule 3010 E&G (UV)		620	2	2001-		0.6	BPR2ES	2264			
KAF 620 Mule A&C (UV)		620	2	1993-2002		0.6	BMR2A	7677			
Mule 2500		620	2	1994-2000		0.6	BMR2A	7677			
Mule 3000		620	2	2001-2006		0.6	BPR2ES	2264			
KVF 650 A Prairie 4x4	VF650D	650	2	2002-2003	Constr.Code 1-2	0.7	CR7E	4578	Q225	CR7EIX	7385
KVF 650 B Prairie 4x4 Advantage Classic	VF650D	650	2	2002-2003	Constr.Code 1-2	0.7	CR7E	4578	Q225	CR7EIX	7385
KVF 650 D Brute Force 4x4	VF650D	650	2	2005-2013	Constr.Code 1, 6F-9F, AF-DF	0.8	CR7E	4578	Q225	CR7EIX	7385
KVF 650 D Brute Force 4x4	VF650D	650	2	2012-2012	Constr.Code CS	0.8	CR7E	4578	Q225	CR7EIX	7385

* Bitte Elektrodenabstand nach Angaben des Herstellers justieren

* Please adjust the ground electrode gap

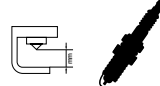
* Veuillez vérifier l'écartement

* Por favor, ajustar la distancia entre los electrodos

* Regolare il gap

* Iridium IX Spark Plug is the standard recommendation





Stock No.

Quick No.

Upgrade ↑

Stock No. ↑

KAWASAKI

KVF 650 E Brute Force 4x4 Hardwoods Green HD	VF650E	650	2	2005-2008	Constr.Code 1, 6F-9F	0.8	CR7E	4578	Q225	CR7EIX	7385
KVF 650 F Brute Force 4x4i	VF650F	650	2	2006-2011	Constr.Code 6F-9F, AF-DF	0.8	CR7E	4578	Q225	CR7EIX	7385
KVF 650 F Brute Force 4x4i	VF650F	650	2	2012-2012	Constr.Code CS	0.8	CR7E	4578	Q225	CR7EIX	7385
KVF 650 G Brute Force 4x4i Hardwoods Green HD	VF650	650	2	2006-2009	Constr.Code 6F-8F	0.8	CR7E	4578	Q225	CR7EIX	7385
KVF 650 H Brute Force 4x4i	VF650	650	2	2007-2008	Constr.Code 7F-8F	0.8	CR7E	4578	Q225	CR7EIX	7385
KFV 700 B Prairie 4x4 Hardwoods Green HD	VF700	700	2	2004-2005	Constr.Code 1	0.7	CR7E	4578	Q225	CR7EIX	7385
KFX 700 A	SV700A	700	2	2006-2006	Constr.Code 6F	*	CR7E	4578	Q225	CR7EIX	7385
KFX 700 B	SV700A	700	2	2006-2006	Constr.Code 6F	*	CR7E	4578	Q225	CR7EIX	7385
KFX 700 C KSV	SV700A	700	2	2006-2006	Constr.Code 6F	*	CR7E	4578	Q225	CR7EIX	7385
KFX 700 V Force KSV	SV700A	700	2	2004-2005	Constr.Code 1-2	0.8	CR7E	4578	Q225	CR7EIX	7385
KFX 700 V Force KSV	SV700A	700	2	2007-2009	Constr.Code 7F, 7F-9F	0.8	CR7E	4578	Q225	CR7EIX	7385
KVF 700 A Prairie 4x4	VF700	700	2	2004-2006	Constr.Code 1-2, 6F	0.7	CR7E	4578	Q225	CR7EIX	7385
KVF 700 D Prairie 4x4 Team Green Special Edition	VF700	700	2	2005-2006	Constr.Code 1, 6F	0.7	CR7E	4578	Q225	CR7EIX	7385
KVF 750 A Brute Force 4x4i	VF750	750	2	2005-2006	Constr.Code 1, 6F-7F	0.8	CR7E	4578	Q225	CR7EIX	7385
KVF 750 B Brute Force 4x4i	VF750	750	2	2007-2007		0.8	CR7E	4578	Q225	CR7EIX	7385
KVF 750 B Brute Force 4x4i Hardwoods Green HD	VF750	750	2	2005-2006	Constr.Code 1, 6F-7F	0.8	CR7E	4578	Q225	CR7EIX	7385
KVF 750 Brute Force 4x4i Hardwoods Green HD	VF750E	750	2	2008-2009	Constr.Code 8F-9F	0.8	CR7E	4578	Q225	CR7EIX	7385
KVF 750 C Brute Force 4x4i	VF750	750	2	2006-2006	Constr.Code 6F	0.8	CR7E	4578	Q225	CR7EIX	7385
KVF 750 D Brute Force 4x4i	VF750D	750	2	2009-2009	Constr.Code 9F	0.8	CR7E	4578	Q225	CR7EIX	7385
KVF 750 E Brute Force 4x4i Hardwoods Green HD	VF750E	750	2	2008-2009	Constr.Code 8F-9F	0.8	CR7E	4578	Q225	CR7EIX	7385
KVF 750 E Brute Force 4x4i NRA Outdoors	VF750E	750	2	2008-2009	Constr.Code 8F-9F	0.8	CR7E	4578	Q225	CR7EIX	7385
KVF 750 E Brute Force 4x4i Realtree APG HD	VF750E	750	2	2010-2010	Constr.Code AF	0.8	CR7E	4578	Q225	CR7EIX	7385
KVF 750 F Brute Force 4x4i	VF750F	750	2	2008-2008	Constr.Code 8F	0.8	CR7E	4578	Q225	CR7EIX	7385
KVF 750 F Brute Force 4x4i	VF750F	750	2	2010-2011	Constr.Code AF-BF	0.8	CR7E	4578	Q225	CR7EIX	7385
KVF 750 G Brute Force 4x4i EPS	VF750G	750	2	2015-2015	Constr.Code FF	0.9	CPR7EA-9	3901		CPR7EAIX-9	9198
KVF 750 H Brute Force 4x4i EPS CAMO	VF750H	750	2	2015-2015	Constr.Code FF	0.9	CPR7EA-9	3901		CPR7EAIX-9	9198
KVF 750 J Brute Force 4x4i EPS	VF750J	750	2	2012-2014	Constr.Code CF-EF	0.8	CR7E	4578	Q225	CR7EIX	7385
KVF 750 J Brute Force 4x4i EPS	VF750J	750	2	2012-2012	Constr.Code CS	0.8	CR7E	4578	Q225	CR7EIX	7385
KVF 750 L Brute Force 4x4i	VF750L	750	2	2012-2014	Constr.Code CF-EF	0.8	CR7E	4578	Q225	CR7EIX	7385
KVF 750 L Brute Force 4x4i	VF750L	750	2	2012-2012	Constr.Code CS	0.8	CR7E	4578	Q225	CR7EIX	7385
Mule 2510 Diesel		950	2	2000-2002	11V		Y-706R	3041			
Mule 3010 Diesel		950	2	2004-	11V		Y-706R	3041			
Mule 3010 Trans Diesel		950	2	2007-	11V		Y-706R	3041			

KAZUMA

Meerkat		50	1	-		0.6	C7HSA	4629		CR7HIX	7544
Dingo		90	1	-		0.6	C7HSA	4629		CR7HIX	7544
Falcon		90	1	-		0.6	C7HSA	4629		CR7HIX	7544

* Bitte Elektrodenabstand nach Angaben des Herstellers justieren

* Please adjust the ground electrode gap

* Veuillez vérifier l'écartement

* Por favor, ajustar la distancia entre los electrodos

* Regolare il gap

** Iridium IX Spark Plug is the standard recommendation





Stock No.

Quick No.

Upgrade ↑

Stock No. ↑

KAZUMA

Baby Falcon		110	1	-		0.6	C7HSA	4629		CR7HIX	7544
Falcon		110	1	-		0.6	C7HSA	4629		CR7HIX	7544
Panda Lacoste		110	1	-		0.6	C7HSA	4629		CR7HIX	7544
Dingo		150	1	-		0.6	C7HSA	4629		CR7HIX	7544
Falcon		150	1	-		0.6	C7HSA	4629		CR7HIX	7544
Jaguar		500	2	-		0.7	BKR6E	6962		BKR6EIX	6418
Mammoth		800	2	-		0.6	BPR6ES	7822		BPR6EIX	6637

KEEWAY

Dragon 250		250	1	-		0.8	DR7ES	3123		DR7EIX	5686
------------	--	-----	---	---	--	-----	-------	------	--	--------	------

KOLPIN

50		50	1	-		0.8	BR8HSA	5539			
90		90	1	-		0.8	BR8HSA	5539			

KREIDLER

Mini Mustang 50		50	1	2005-		0.8	BPR7HS	6422		BPR7HIX	5944
Mustang 50		50	1	2005-		0.8	BPR7HS	6422		BPR7HIX	5944
F-Kart 100		100	1	2005-		0.8	BPR7HS	6422		BPR7HIX	5944
Mustang 170		170	1	2005-		0.7	DR8EA	7162		DR8EIX	6681
Mustang 200		170	1	2005-		0.7	DR8EA	7162		DR8EIX	6681
Mustang 250		250	1	2005-		0.7	CR8HS	7423		CR8HIX	7669

KTM

SX 450	SX	450	1	2009-		0.7	CR9EKB	2305			
XC 450	XC	450	1	2008-		0.9	DCPR8E	4339		DCPR8EIX	6546
SX 505	SX	477	1	2009-		0.7	CR9EKB	2305			
XC 525	XC	510	1	2008-		0.6	DCPR8E	4339		DCPR8EIX	6546
XC 525	XC	525	1	2008-		0.9	DCPR8E	4339		DCPR8EIX	6546

KYMCO

Maxxer 50		50	1	-		*	BR8HSA	5539			
Mxer 50 4x2		50	1	2002-		0.7	BR8HSA	5539			
MXU 50		50	1	-		0.5	BR8HSA	5539			
Maxxer 90		90	1	-		*	C7HSA	4629		CR7HIX	7544
Mxer 150 4x2		150	1	2002-		0.7	DR8EA	7162		DR8EIX	6681
MXU 150		150	1	-		0.7	DR8EA	7162		DR8EIX	6681
KXR 250		250	1	2001-		0.9	DPR7EA-9	5129	Q220	DPR7EIX-9	7803
Maxxer 250		250	1	2005-		0.9	DPR7EA-9	5129	Q220	DPR7EIX-9	7803
Mxer 250 R		250	1	2005-		0.9	DPR7EA-9	5129	Q220	DPR7EIX-9	7803
MXU 250		250	1	2005-		0.9	DPR7EA-9	5129	Q220	DPR7EIX-9	7803
Maxxer 300		300	1	2005-		0.9	DPR7EA-9	5129	Q220	DPR7EIX-9	7803
MXU 300		300	1	2005-		0.9	DPR7EA-9	5129	Q220	DPR7EIX-9	7803
MXU 400		400	1	2008-		0.9	CR8E	4854	Q226	CR8EIX	4218
MXU 500		500	1	2005-		0.8	CR7E	4578	Q225	CR7EIX	7385
MXU 500 4x4		500	1	2006-		0.6	CR8E	4854	Q226	CR8EIX	4218

LEM

Cayman 4x2		50	1	1997-		0.7	BR8HS	4915	Q212	BR8HIX	7001
Condor 4x2		50	1	1997-		0.7	BR8HS	4915	Q212	BR8HIX	7001

LINHAI

260 Yeti Sport		257	1	-		0.6	DR8EA	7162		DR8EIX	6681
260 Yeti Standard		257	1	-		0.6	DR8EA	7162		DR8EIX	6681
260		260	1	2005-		0.7	DR8EA	7162		DR8EIX	6681

* Bitte Elektrodenabstand nach Angaben des Herstellers justieren

* Please adjust the ground electrode gap

* Veuillez vérifier l'écartement

* Por favor, ajustar la distancia entre los electrodos

* Regolare il gap

* Iridium IX Spark Plug is the standard recommendation





Stock No.

Quick No.

Upgrade ↑

Stock No. ↑

MANCO

Miny Indy		50	1	-	SUBARU 5hp	0.7	BR6HS	4200		BR6HIX	3419
Stock Car		50	1	-	SUBARU 4hp	0.7	BR6HS	4200		BR6HIX	3419
ZSR-50		50	1	-		0.8	BPR7HS	6422		BPR7HIX	5944
ZSR-90		90	1	-		0.8	BPR7HS	6422		BPR7HIX	5944
Bandit Kart		126	1	-	SUBARU 5hp	0.6	BR6HS	4200		BR6HIX	3419
Critter Kart		126	1	-	SUBARU 5hp	0.7	BR6HS	4200		BR6HIX	3419
Eliminator Kart		126	1	-	SUBARU 5hp	0.6	BR6HS	4200		BR6HIX	3419
Force Five Kart		126	1	-	SUBARU 5hp	0.6	BR6HS	4200		BR6HIX	3419
Quicksilver Kart		126	1	-	SUBARU 5hp	0.7	BR6HS	4200		BR6HIX	3419
Eliminator Kart		169	1	-	SUBARU 7hp	0.7	BR6HS	4200		BR6HIX	3419
EZ Rider Kart		169	1	-	SUBARU 4hp	0.7	BR6HS	4200		BR6HIX	3419
Aerforce Kart		211	1	-	SUBARU 7hp	0.7	BR6HS	4200		BR6HIX	3419
Intruder Kart		211	1	-	SUBARU 7hp	0.7	BR6HS	4200		BR6HIX	3419
8260E		260	1	-		0.7	DR8EA	7162		DR8EIX	6681
Aerforce Kart		265	1	-	SUBARU 10hp	0.7	BR6HS	4200		BR6HIX	3419
XTK-713E		404	1	-	SUBARU 14hp	0.6	BR6HS	4200		BR6HIX	3419
618 Super Deuce		450	2	-	HONDA 18hp OHV	0.7	BPR5ES	7422		BPR5EIX	6597

MASAI

A 300		265	1	-		1.0	DCPR7E	3932		DCPR7EIX	6046
A 450		450	1	-		0.8	DCPR8E	4339		DCPR8EIX	6546

MASSEY-FERGUSON

MF 250 2x4	MF	250	3	-		0.7	DR7EA	7839		DR7EIX	5686
MF 350 MRP 4X4	MF	350		-		0.7	DR7EA	7839		DR7EIX	5686
MF 400 MRP 4X4	MF	400		-		0.7	CR6E	6965			
MF 450 MRP 4X4	MF	450		-		0.7	CR6E	6965			
MF 500 MRP 4X4	MF	500		-		0.7	CR6E	6965			
MF 500 TBX 4X4	MF	500		-		0.7	CR6E	6965			

MOTO ROMA

Blazer 50		50	1	-		0.5	B8HS	5510		BR8HIX	7001
Blazer 50DL		50	1	-		0.6	BP7HS	5111		BPR7HIX	5944
Sport 90		90	1	-		0.7	BP7HS	5111		BPR7HIX	5944
Roadrunner 4		100	1	2004-		0.6	BP7HS	5111		BPR7HIX	5944
Sport 100		100	1	2004-		0.6	BP7HS	5111		BPR7HIX	5944
Sportsmann 125		125	1	2003-		0.7	C7HSA	4629		CR7HIX	7544
Sport 150		150	1	-		0.7	C7HSA	4629		CR7HIX	7544
X Maschine		150	1	-		0.7	C7HSA	4629		CR7HIX	7544
Sport 250		250	1	-		0.7	C7HSA	4629		CR7HIX	7544
Sportsman 250		250	1	-		0.7	C7HSA	4629		CR7HIX	7544
Geko 300		282	1	2005-		0.7	DR8EA	7162		DR8EIX	6681

MOTOR TEK

MT 125 4x2	MT	125	1	2000-		0.7	C7HSA	4629		CR7HIX	7544
MT 175 R 4x2	MT	175	1	2000-		0.7	DR8EA	7162		DR8EIX	6681

MSA

Fox 50		50	1	2000-		0.7	BR8HSA	5539			
Mini Fox 50		50	1	2000-		0.7	BM6A	5921			
Sport 50	VR	50	1	2000-		0.7	BR8HSA	5539			
Fox 90		90	1	2000-		0.7	CR7HSA	4549		CR7HIX	7544
Fox 100		100	1	2000-		0.7	BR8HSA	5539			
Sport 100	VR	100	1	2000-		0.7	BR8HSA	5539			

*Bitte Elektrodenabstand nach Angaben des Herstellers justieren

*Please adjust the ground electrode gap

*Veuillez vérifier l'écartement

* Por favor, ajustar la distancia entre los electrodos

*Regolare il gap

** Iridium IX Spark Plug is the standard recommendation





Stock No.

Quick No.

Upgrade ↑

Stock No. ↑

MZ

ATV 50		50	1	2003-		0.6	BP6HS	4511		BPR6HIX	4085
ATV 100		100	1	2003-		0.6	BP6HS	4511		BPR6HIX	4085
MT 125 Cobra		125	1	2005-		0.6	C7HSA	4629		CR7HIX	7544
KX 150		150	1	2005-		0.6	CR7E	4578	Q225	CR7EIX	7385
VRS 150		150	1	2005-		0.6	CR7E	4578	Q225	CR7EIX	7385

PANDA

KD 50 A		50	1	-		0.7	CR6HSA	2983		CR6HIX	7274
KD 80 A		80	1	-		0.7	CR6HSA	2983		CR6HIX	7274
KD 125 A		125	1	-		0.7	CR6HSA	2983		CR6HIX	7274

PGO

110		110	1	2003-		0.7	BPR7HS	6422		BPR7HIX	5944
151		151	1	2003-		0.7	CR7HSA	4549		CR7HIX	7544

POLARIS

UTV 2X4				-	24hp	0.6	BKR5E	7938		BKR5EIX	6341
UTV 4X4				-	30hp	0.6	BKR5E	7938		BKR5EIX	6341
UTV 6X6				-	30hp	0.6	BKR5E	7938		BKR5EIX	6341
Predator 50		50	1	2001-		0.7	BPR7HS	6422		BPR7HIX	5944
Predator 50		50	1	2003-		0.8	BPR7HS	6422		BPR7HIX	5944
Scrambler 50 4x2		50	1	2001-		0.7	BPR7HS	6422		BPR7HIX	5944
Youth Scrambler 50		50	1	2001-		0.8	BPR7HS	6422		BPR7HIX	5944
Predator 90 4x2		90	1	2003-		0.7	BPR7HS	6422		BPR7HIX	5944
Scrambler 90 4x2		90	1	2001-		0.7	BPR7HS	6422		BPR7HIX	5944
Sportsman 90 4x2		90	1	2001-		0.7	BPR7HS	6422		BPR7HIX	5944
Youth Predator 90		90	1	2003-		0.8	BPR7HS	6422		BPR7HIX	5944
Youth Scrambler 90		90	1	2001-		0.8	BPR7HS	6422		BPR7HIX	5944
Youth Sportsman 90		90	1	2001-		0.8	BPR7HS	6422		BPR7HIX	5944
Pro X 120 2T		121	1	2005-		0.7	B6ES	7310			
Phönix 200		200	1	2005-2012		0.7	CR6HSA	2983		CR6HIX	7274
Sawtooth 200		200	1	2006-		0.7	CR7HSA	4549		CR7HIX	7544
250 2x4		250	1	1993-1993		0.6	BR8ES	5422	Q207	BR8EIX	5044
250 Big Boss		250	1	1989-1989		0.6	BPR8ES	5170	Q213	BPR8EIX	6684
250 Big Boss		250	1	1990-1992		0.6	BR8ES	5422	Q207	BR8EIX	5044
250 Euro Big Boss		250	1	1992-1992		0.6	BR8ES	5422	Q207	BR8EIX	5044
Cyclone 250		250	1	1987-1987		0.6	BPR8ES	5170	Q213	BPR8EIX	6684
Scrambler 250		250	1	1985-1986		0.8	BPR8ES	5170	Q213	BPR8EIX	6684
Scrambler 250		250	1	1989-		0.6	BR8ES	5422	Q207	BR8EIX	5044
Trail Blazer 250		250	1	1990-1997		0.6	BR8ES	5422	Q207	BR8EIX	5044
Trail Boss 250		250	1	1985-1987		0.8	BPR8ES	5170	Q213	BPR8EIX	6684
Trail Boss 250		250	1	1990-1997		0.6	BR8ES	5422	Q207	BR8EIX	5044
Trail Boss 250 2x4		250	1	1985-1989		0.6	BPR8ES	5170	Q213	BPR8EIX	6684
Trail Boss 250 4x4		250	1	1988-1989		0.6	BPR8ES	5170	Q213	BPR8EIX	6684
Trail Boss 250 ES		250	1	1987-1987		0.6	BPR8ES	5170	Q213	BPR8EIX	6684
Trail Boss 250 R		250	1	1987-1987		0.6	BPR8ES	5170	Q213	BPR8EIX	6684
Xplorer 250 4x2		250	1	2000-2002		0.7	BR8ES	5422	Q207	BR8EIX	5044
300 2x4		300	1	1994-1995		0.6	BR8ES	5422	Q207	BR8EIX	5044
300 4x4		300	1	1995-1995		0.6	BR8ES	5422	Q207	BR8EIX	5044
300 Big Boss		300	1	1993-		0.6	BR8ES	5422	Q207	BR8EIX	5044
Hawkeye 300		300	1	2006-		0.9	CR8E	4854	Q226	CR8EIX	4218
Trail Boss 300		300	1	1990-1993		0.6	BR8ES	5422	Q207	BR8EIX	5044
Xplorer 300		300	1	1996-2000		0.6	BR8ES	5422	Q207	BR8EIX	5044
Xpress 300		300	1	1996-2000		0.6	BR8ES	5422	Q207	BR8EIX	5044

* Bitte Elektrodenabstand nach Angaben des Herstellers justieren

* Please adjust the ground electrode gap

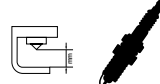
* Veuillez vérifier l'écartement

* Por favor, ajustar la distancia entre los electrodos

* Regolare il gap

* Iridium IX Spark Plug is the standard recommendation





Stock No.

Quick No.

Upgrade ↑

Stock No. ↑

POLARIS

ACE 300 EFI		325	1	2016-		0.8	MR7F	95897			
Hawkeye 325 2x4		325	1	2015-		0.8	MR7F	95897			
Magnum 325 4x2	HDS	325	1	-2002		0.9	BKR6E	6962		BKR6EIX	6418
Magnum 325 4x4	HDS	325	1	-2002		0.9	BKR6E	6962		BKR6EIX	6418
Sportsman 325 ACE		325	1	2014-		0.8	MR7F	95897			
Sportsman 325 ACE EFI		325	1	2015-		0.8	MR7F	95897			
Sportsman 325 ACE Euro		325	1	2014-		0.8	MR7F	95897			
Sportsman 325 ACE HD		325	1	2015-		0.8	MR7F	95897			
Sportsman 325 ETX EFI		325	1	2015-		0.8	MR7F	95897			
Sportsman 325 ETX EFI MD		325	1	2015-		0.8	MR7F	95897			
Trail Boss 325 4x2		325	1	-2002		0.9	BKR6E	6962		BKR6EIX	6418
Xpedition 325 4x4		325	1	-2002		0.8	BKR6E	6962		BKR6EIX	6418
Magnum 325 4x2	HDS	330	1	2003-		0.8	BKR6E	6962		BKR6EIX	6418
Magnum 330 4x4	HDS	330	1	2003-2006		0.8	BKR6E	6962		BKR6EIX	6418
Trail Boss 330		330	1	2005-		0.6	BKR6ES	3783		BKR6EIX	6418
Trail Boss 330 4x2		330	1	2003-		0.8	BKR6E	6962		BKR6EIX	6418
Sportsman 4x4		335	1	-2000		0.7	BKR7E	6097		BKR7EIX	2667
350L		350	1	1993-1993		0.6	BR8ES	5422	Q207	BR8EIX	5044
350 L Big Boss		350	1	1993-		0.6	BR8ES	5422	Q207	BR8EIX	5044
350L Trail Boss		350	1	1990-1992		0.6	BR8ES	5422	Q207	BR8EIX	5044
350 Trail Boss EC35		350	1	1990-		0.5	BR8ES	5422	Q207	BR8EIX	5044
Euro 350L		350	1	1993-1993		0.6	BR8ES	5422	Q207	BR8EIX	5044
Euro Trail Boss 350		350	1	1992-1992		0.6	BR8ES	5422	Q207	BR8EIX	5044
Sportsman 350		350	1	1993-1994		0.6	BR8ES	5422	Q207	BR8EIX	5044
400L		400	1	1994-1996		0.6	BR8ES	5422	Q207	BR8EIX	5044
Big Boss 400L		400	1	1995-1998		0.7	BR8ES	5422	Q207	BR8EIX	5044
Norwegian 400L		400	1	1994-1994		0.6	BR8ES	5422	Q207	BR8EIX	5044
Norwegian 400L		400	1	1996-1996		0.6	BR8ES	5422	Q207	BR8EIX	5044
Scrambler 400		400	1	1995-2000		0.7	BR8ES	5422	Q207	BR8EIX	5044
Sport 400 4x2		400	1	-2000		0.7	BR8ES	5422	Q207	BR8EIX	5044
Sport 400L		400	1	1994-1997		0.6	BR8ES	5422	Q207	BR8EIX	5044
Sportman 400 4x4		400	1	2003-		0.6	BKR5E	7938		BKR5EIX	6341
Sportsman 400		400	1	1995-1997		0.7	BR8ES	5422	Q207	BR8EIX	5044
Swedish 400L		400	1	1994-1994		0.6	BR8ES	5422	Q207	BR8EIX	5044
Trail Blazer 400 4x2		400	1	2003-		0.7	BR8ES	5422	Q207	BR8EIX	5044
Xplorer 400		400	1	1995-2000		0.7	BR8ES	5422	Q207	BR8EIX	5044
Xpress 400		400	1	1996-1998		0.7	BR8ES	5422	Q207	BR8EIX	5044
Expedition 425 EH42		425	1	2001-		0.6	BKR5E	7938		BKR5EIX	6341
Magnum 425		425	1	1995-1995		0.6	BKR6E	6962		BKR6EIX	6418
Magnum 425		425	1	1996-1998		0.6	BKR5E	7938		BKR5EIX	6341
Norwegian Magnum 425		425	1	1995-1995		0.6	BKR6E	6962		BKR6EIX	6418
Norwegian Magnum 425		425	1	1996-1996		0.6	BKR5E	7938		BKR5EIX	6341
Ranger 425 EH42		425	1	2002-		0.6	BKR5E	7938		BKR5EIX	6341
Sportsman 425		425	1	2001-2004		0.6	BKR5E	7938		BKR5EIX	6341
Swedish Magnum 425		425	1	1995-1995		0.6	BKR6E	6962		BKR6EIX	6418
Swedish Magnum 425		425	1	1996-1997		0.6	BKR5E	7938		BKR5EIX	6341
Xpedition 425 4x4		425	1	-2000		0.6	BKR5E	7938		BKR5EIX	6341
450 HO 2x4 MD		450	1	2016-		0.8	MR7F	95897			
Sportsman 450 EH 460		450	1	2006-		0.8	CR8E	4854	Q226	CR8EIX	4218

* Bitte Elektrodenabstand nach Angaben des Herstellers justieren

* Please adjust the ground electrode gap

* Veuillez vérifier l'écartement

* Por favor, ajustar la distancia entre los electrodos

* Regolare il gap

** Iridium IX Spark Plug is the standard recommendation





Stock No.

Quick No.

Upgrade ↑

Stock No. ↑

POLARIS

Sportsman 450 EPS Quad		450	1	2016-		0.8	MR7F	95897			
Sportsman 450 HO		450	1	2016-		0.8	MR7F	95897			
Sportsman 450 Tractor		450	1	2016-		0.8	MR7F	95897			
500 Big Boss		500	1	1998-2000		0.7	BKR5E	7938		BKR5EIX	6341
500 Pro ATV 4x4 PPS	C02CD50AC	500	1	2002-2002		0.6	BKR5E	7938		BKR5EIX	6341
ATP 500		500	1	2005-		0.6	BKR6ES	3783		BKR6EIX	6418
LUH 6x6 PSS	C02CL50AB	500	1	2002-2002		0.6	BKR5E	7938		BKR5EIX	6341
Magnum 500 4x4	HDS	500	1	2000-		0.7	BKR5E	7938		BKR5EIX	6341
Predator 500 4x2		500	1	2003-		0.8	DCPR8E	4339		DCPR8EIX	6546
Ranger 500 4x4		500	1	2002-		0.7	BKR5E	7938		BKR5EIX	6341
Ranger 500 6x6		500	1	1999-		0.7	BKR5E	7938		BKR5EIX	6341
Scrambler 500		500	1	1997-		0.7	BKR5E	7938		BKR5EIX	6341
Scrambler 500 4x4		500	1	2010-		0.9	BKR6E	6962		BKR6EIX	6418
Sportsman 500		500	1	1996-2005		0.6	BKR5E	7938		BKR5EIX	6341
Sportsman 500 4x4	RSE	500	1	2000-		0.7	BKR5E	7938		BKR5EIX	6341
Sportsman 500 6x6		500	2	2000-		0.7	BKR5E	7938		BKR5EIX	6341
Sportsman 500 6x6		500	2	2005-		0.6	BKR6ES	3783		BKR6EIX	6418
Task Force Utility EH50		500	1	2002-		0.6	BKR5E	7938		BKR5EIX	6341
Xplorer 50		500	1	1997-1998		0.6	BKR5E	7938		BKR5EIX	6341
550 XP		550	1	2009-		0.9	LZKAR7A	6799			
ACE 570 EFI Euro		570	1	2016-		0.8	MR7F	95897			
ACE 570 EFI HD		570	1	2016-		0.8	MR7F	95897			
ACE 570 EFI MD		570	1	2016-		0.8	MR7F	95897			
Sportsman 570 ACE EFI		570	1	2015-		0.8	MR7F	95897			
Sportsman 570 ACE Euro		570	1	2015-		0.8	MR7F	95897			
Sportsman 570 ACE HD		570	1	2015-		0.8	MR7F	95897			
Sportsman 570 EFI		570	1	2014-2016		0.8	MR7F	95897			
Sportsman 570 EFI EPS		570	1	2014-		0.8	MR7F	95897			
Sportsman 570 EFI EPS Forest		570	1	2014-		0.8	MR7F	95897			
Sportsman 570 EFI EPS Forest Quad		570	1	2015-		0.8	MR7F	95897			
Sportsman 570 EFI EPS MD		570	1	2015-		0.8	MR7F	95897			
Sportsman 570 EFI HD		570	1	2014-2016		0.8	MR7F	95897			
Sportsman 570 EFI MD		570	1	2015-2016		0.8	MR7F	95897			
Sportsman 570 EFI Touring EU		570	1	2015-		0.8	MR7F	95897			
Sportsman 570 EFI UTE HD		570	1	2015-2016		0.8	MR7F	95897			
Sportsman 570 EFI UTE HD EPS		570	1	2014-		0.8	MR7F	95897			
Sportsman 570 EFI UTE MD		570	1	2016-		0.8	MR7F	95897			
Sportsman 570 EFI UTE Tractor		570	1	2016-		0.8	MR7F	95897			
Sportsman 570 EFI X2 EPS		570	1	2015-2016		0.8	MR7F	95897			
Sportsman 570 EFI X2 EPS Europe		570	1	2015-		0.8	MR7F	95897			
Sportsman 570 EPS Quad		570	1	2016-		0.8	MR7F	95897			
Sportsman 570 EPS UTE Quad		570	1	2016-		0.8	MR7F	95897			
Sportsman 570 Forest		570	1	2014-		0.8	MR7F	95897			
Sportsman 570 HD		570	1	2015-		0.8	MR7F	95897			
Sportsman 570 SP		570	1	2015-2016		0.8	MR7F	95897			

* Bitte Elektrodenabstand nach Angaben des Herstellers justieren

* Please adjust the ground electrode gap

* Veuillez vérifier l'écartement

* Por favor, ajustar la distancia entre los electrodos

* Regolare il gap

* Iridium IX Spark Plug is the standard recommendation





Stock No.

Quick No.

Upgrade ↑

Stock No. ↑

POLARIS

Sportsman 570 SP EPS	570	1	2015-2016	0.8	MR7F	95897			
Sportsman 570 SP EPS Quad	570	1	2015-2016	0.8	MR7F	95897			
Sportsman 570 SP EPS Tractor	570	1	2015-2016	0.8	MR7F	95897			
Sportsman 570 SP MD	570	1	2015-2016	0.8	MR7F	95897			
Sportsman 570 SP Touring	570	1	2015-	0.8	MR7F	95897			
Sportsman 570 Touring EFI	570	1	2014-	0.8	MR7F	95897			
Sportsman 570 Touring EFI	570	1	2015-2016	0.8	MR7F	95897			
Sportsman 570 Touring EFI EPS MD - R01	570	1	2016-	0.8	MR7F	95897			
Sportsman 570 Touring EFI INTL	570	1	2014-	0.8	MR7F	95897			
Sportsman 570 Touring EFI MD	570	1	2015-	0.8	MR7F	95897			
Sportsman 570 Touring EPS	570	1	2015-2016	0.8	MR7F	95897			
Sportsman 570 Touring Quad EPS	570	1	2016-	0.8	MR7F	95897			
Sportsman 570 Touring Tractor EFI EPS	570	1	2016-	0.8	MR7F	95897			
Sportsman 570 Tractor	570	1	2016-	0.8	MR7F	95897			
Sportsman 600 4x4	600	2	2003-2005	0.7	BKR7E	6097		BKR7EIX	2667
Ranger 700 4x4	700	2	2006-	0.7	BKR7E	6097		BKR7EIX	2667
Ranger 700 6x6	700	2	2006-	0.7	BKR7E	6097		BKR7EIX	2667
Sportsman 700 4x4	700	2	2002-2005	0.7	BKR7E	6097		BKR7EIX	2667
Sportsman 800 4x4	800	2	2005-	0.7	BKR7E	6097		BKR7EIX	2667
900 XP	850	2	2009-	0.9	LZKAR7A	6799			
Sportsman 800 Touring	850	2	2010-	0.9	LZKAR7A	6799			
900 ACE EFI EPS	900	2	2016-	0.8	MR7F	95897			

PUZEY

Madix 125	125		2013-	0.7	DR8EA	7162		DR8EIX	6681
-----------	-----	--	-------	-----	-------	------	--	--------	------

QUADZILLA

Buzz	50	1	-	0.7	BPR7HS	6422		BPR7HIX	5944
M 100	100	1	-	0.6	BP7HS	5111		BPR7HIX	5944
ProShark	100	1	-	0.7	BP8ES	2912		BPR8EIX	6684
ProShark E	100	1	-	0.8	BR8HSA	5539			
ProShark Type R	100	1	-	0.7	BP8ES	2912		BPR8EIX	6684
R 100	100	1	-	0.7	BPR7HS	6422		BPR7HIX	5944
X 100	100	1	-	0.7	BP8ES	2912		BPR8EIX	6684
X 100	100	1	-	0.8	BR8HSA	5539			
R 170 E	165		-	0.7	DR8EA	7162		DR8EIX	6681
200 E 4cross	200	2	-	0.7	DR8EA	7162		DR8EIX	6681
ST 200 E	200	2	-	0.7	CR7HSA	4549		CR7HIX	7544
PGO 250 E Bugrider	250	2	-	0.9	DPR7EA-9	5129	Q220	DPR7EIX-9	7803
R 250 E Stinger	250	2	-	0.7	CR8HS	7423		CR8HIX	7669
R 250 E Triple Disc	250	2	-	0.7	CR8HS	7423		CR8HIX	7669
XRV 250	250	2	-	0.9	DPR7EA-9	5129	Q220	DPR7EIX-9	7803
300 E SUV	300	2	-	0.7	DR8EA	7162		DR8EIX	6681
XLC 500	500	2	-2008	0.9	DCPR8E	4339		DCPR8EIX	6546
XLC 500	500	2	-2008	0.9	DCR8EIX**	3606			
RS 7	700	2	-2010	0.8	CR6E	6965			
RS 8	750	2	-2011	0.8	CR6E	6965			

*Bitte Elektrodenabstand nach Angaben des Herstellers justieren

*Please adjust the ground electrode gap

*Veuillez vérifier l'écartement

* Por favor, ajustar la distancia entre los electrodos

*Regolare il gap

** Iridium IX Spark Plug is the standard recommendation





Stock No.

Quick No.

Upgrade ↑

Stock No. ↑

QUANTUM

Dingo		150	1	-		0.6	C7HSA	4629		CR7HIX	7544
Falcon		150	1	-		0.6	C7HSA	4629		CR7HIX	7544
NF 500 L		500	2	-		0.7	BKR6E	6962		BKR6EIX	6418

SACHS

4Rock 50		50	1	2006-		0.7	BPR7HS	6422		BPR7HIX	5944
Little Devil 50		50	1	-		0.6	BP6HS	4511		BPR6HIX	4085
T-Rex 50		50	1	2006-		0.6	BPR7HS	6422		BPR7HIX	5944
Helix 100		100	1	2006-		0.6	BPR7HS	6422		BPR7HIX	5944
T-Rex 100		100	1	2006-		0.6	BPR7HS	6422		BPR7HIX	5944
4Rock 110		110	1	2006-		0.7	BPR7HS	6422		BPR7HIX	5944
4Rock 150		150	1	2006-		0.7	C7HSA	4629		CR7HIX	7544
Helix 150		150	1	2006-		0.6	C7HSA	4629		CR7HIX	7544
4Rock 250		250	1	2006-		0.7	CR8HS	7423		CR8HIX	7669

SKYTEAM

LX 50ST-C		50	1	-		0.6	CR7HSA	4549		CR7HIX	7544
ST 200 Quad		200	1	-		0.7	DR8EA	7162		DR8EIX	6681

SMC

UR 50		50	1	-		0.6	BPR7HS	6422		BPR7HIX	5944
Blast 170		170	1	-		0.7	DR8EA	7162		DR8EIX	6681
CFS 170		170	1	-		0.6	CR7HSA	4549		CR7HIX	7544
CRS 170		170	1	-		0.6	CR7HSA	4549		CR7HIX	7544
Discovery 200		200	1	-		0.6	CR7HSA	4549		CR7HIX	7544
Explorer Discovery 200		200	1	-		0.6	CR7HSA	4549		CR7HIX	7544
CBW 250E		250	1	-		0.7	CR8HS	7423		CR8HIX	7669
Explorer Stinger 250		250	1	-		0.6	CR7HSA	4549		CR7HIX	7544
Explorer Tomahawk 250		250	1	-		0.6	CR7HSA	4549		CR7HIX	7544
Stinger 250		250	1	-		0.6	CR7HSA	4549		CR7HIX	7544
Tomahawk 250		250	1	-		0.6	CR7HSA	4549		CR7HIX	7544
CEE 300		300	1	-		0.6	CR7HSA	4549		CR7HIX	7544
JOE 300		300	1	-		0.9	DPR7EA-9	5129	Q220	DPR7EIX-9	7803
Argon 700		700	1	-		0.6	CR7E	4578	Q225	CR7EIX	7385
Explorer Argon 700		700	1	-		0.6	CR7E	4578	Q225	CR7EIX	7385

STORM

Panther		110		-		0.6	CR7HSA	4549		CR7HIX	7544
---------	--	-----	--	---	--	-----	--------	------	--	--------	------

SUZUKI

LT 50 4x2	AA11A	50	1	-	Constr.Code X / Y	0.7	BPR4HS	7823			
LT 50 4x2	AA11A	50	1	1986-1988	Constr.Code G / H / J	0.7	BP4HS	3611			
LT-A 50 4x2	AA123	50	1	2001-	Constr.Code K1	0.7	BPR4HS	7823			
LT-Z 50	AZ413	50	1	2005-2007	Constr.Code K5 / K6 / K7	0.7	CR6HSA	2983		CR6HIX	7274
LT-Z 50	AZ414	50	1	2008-	Constr.Code K8	0.7	CR6HSA	2983		CR6HIX	7274
LT 80	AC11A	80	1	2008-		0.7	BPR7HS	6422		BPR7HIX	5944
LT 80 4x2		80	1	1990-	Constr.Code L/M/N/P/R/S/T/W/X/Y	0.7	BPR7HS	6422		BPR7HIX	5944
LT 160 E		160	1	-1992	Constr.Code N	0.7	D7EA	7912		DR7EIX	5686
LT 160 E		160	1	1993-	Constr.Code P	0.9	DPR7EA-9	5129	Q220	DPR7EIX-9	7803
LT 160 F		160	1	1993-	Constr.Code P	0.9	DP7EA-9	5629		DPR7EIX-9	7803
LT-F 160	AG43A	160	1	1995-	Constr.Code S	0.9	DP7EA-9	5629		DPR7EIX-9	7803
LT 230 E		230	1	-		0.7	DR7ES	3123		DR7EIX	5686

* Bitte Elektrodenabstand nach Angaben des Herstellers justieren

* Please adjust the ground electrode gap

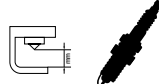
* Veuillez vérifier l'écartement

* Por favor, ajustar la distancia entre los electrodos

* Regolare il gap

* Iridium IX Spark Plug is the standard recommendation





Stock No.

Quick No.

Upgrade ↑

Stock No. ↑

SUZUKI

LT 230 E		230	1	1993-	Constr.Code P	0.7	D7EA	7912		DR7EIX	5686
LT 230 F		230	1	-		0.7	DR7ES	3123		DR7EIX	5686
LT 230 GE		230	1	-		0.7	D7EA	7912		DR7EIX	5686
LT 250 4x4	AJ4AA	250	1	-1994	Constr.Code R	0.7	DR7ES	3123		DR7EIX	5686
LT 250 E	AJ4AA	250	1	1993-	Constr.Code P	0.7	D8EA	2120	Q216	DR8EIX	6681
LT 250 EF	AJ4AA	250	1	-		0.7	DR8ES-L	2923	Q218	DR9EIX	4772
LT 250 EF	AJ4AA	250	1	1993-	Constr.Code P	0.7	D8EA	2120	Q216	DR8EIX	6681
LT 250 R	AJ4AA	250	1	-		*	BR8EIX**	5044			
LT 250 R	AJ4AA	250	1	1993-	Constr.Code P	0.6	BR9EIX**	3981			
LT 250 S	AJ4AA	250	1	-		0.9	DPR7EA-9	5129	Q220	DPR7EIX-9	7803
LT-F 250		250	1	-1994	Constr.Code R	0.7	DR7ES	3123		DR7EIX	5686
LT-F 250		250	1	1993-	Constr.Code P	0.7	DR7ES	3123		DR7EIX	5686
LT-F 250		250	1	1995-	Constr.Code S	0.6	D7EA	7912		DR7EIX	5686
LT-F 250 4WD 4x4		250	1	-		0.7	DR7ES	3123		DR7EIX	5686
LT-F 250 Ozark 4x2		250	1	2002-	Constr.Code K2	0.8	DR7EA	7839		DR7EIX	5686
LT-280 4WD		280	1	1995-	Constr.Code S	0.6	DR7EA	7839		DR7EIX	5686
LT- 280 4WDX		280	1	1995-	Constr.Code S	0.6	D7EA	7912		DR7EIX	5686
LT 280 4x4		280	1	1995-	Constr.Code S	0.6	DR7EA	7839		DR7EIX	5686
LT-280 F4WD		280	1	1995-	Constr.Code S	0.6	DR7EA	7839		DR7EIX	5686
LT-280 F4WDX		280	1	1993-1994	Constr.Code P / R	0.7	DR7ES	3123		DR7EIX	5686
LT-F 280 4x4		280	1	1995-	Constr.Code S	0.6	DR7EA	7839		DR7EIX	5686
LT-F 280 X 4x4		280	1	1993-	Constr.Code P	0.7	DR7ES	3123		DR7EIX	5686
LT-F 280 X 4x4		280	1	1995-	Constr.Code S	0.6	D7EA	7912		DR7EIX	5686
LT-300		300	1	1987-1989	Constr.Code H / J / K	0.6	D8EA	2120	Q216	DR8EIX	6681
LT-F 300		300	1	1999-	Constr.Code X	0.6	D7EA	7912		DR7EIX	5686
LT 400 KingQuad		400	1	2008-	Constr.Code K8	0.8	CR7E	4578	Q225	CR7EIX	7385
LT-A 400		400	1	2002-	Constr.Code K2	0.6	CR7E	4578	Q225	CR7EIX	7385
LT-A 400F		400	1	2002-	Constr.Code K2	0.6	CR7E	4578	Q225	CR7EIX	7385
LT-A 400 F Auto 4x4		400	1	2002-	Constr.Code K2	0.7	CR7E	4578	Q225	CR7EIX	7385
LT-F 400		400	1	2002-	Constr.Code K2	0.6	CR7E	4578	Q225	CR7EIX	7385
LT-F 400F		400	1	2002-	Constr.Code K2	0.6	CR7E	4578	Q225	CR7EIX	7385
LT-F 400 F Méca 4x4		400	1	2002-	Constr.Code K2	0.7	CR7E	4578	Q225	CR7EIX	7385
LT-Z 400	AK47A	400	1	2002-	Constr.Code K2	0.8	CR8E	4854	Q226	CR8EIX	4218
LT-Z 400		400	1	2002-	Constr.Code K2	0.6	CR7E	4578	Q225	CR7EIX	7385
LT-Z 400 QuadSport	AK47A	400	1	2008-	Constr.Code K8	0.8	CR7E	4578	Q225	CR7EIX	7385
LT-A 450 X	AL42A	450	1	2007-2010		0.9	CR6EIA-9	7967			
LT-R 450 KingQuad	AL43A	450	1	2008-	Constr.Code K8	0.8	CR8EB	7784			
LT-A 500F		500	1	2000-	Constr.Code Y	0.6	CR6E	6965			
LT-A 500 F Auto 4x4		500	1	2001-	Constr.Code K1	0.7	CR6E	6965			
LT-A 500 X		500	1	2011-		0.9	CR6EIA-9	7967			
LT-A 500 XP		500	1	2009-		0.9	CR6EIA-9	7967			
LT-F 500		500	1	1998-1999	Constr.Code W / X	0.6	CR7E	4578	Q225	CR7EIX	7385
LT-F 500 Méca 4x4		500	1	2001-	Constr.Code K1	0.7	CR6E	6965			
LT-A 700 X		700	1	2006-2008	49hp	0.9	CR6EIA-9	7967			
LT-A 700 X KinsQuad		700	1	2005-2005	49hp	0.9	CR6EIA-9	7967			
LT-V 700 F Twin Peaks 4x4		700	1	2005-2005		0.9	CR6EIA-9	7967			
LT-A 750 X	AR41A	750	1	2009-2012	46hp	0.9	CR6EIA-9	7967			
LT-A 750 X	AR41A	750	1	2014-	46hp	0.9	CR6EIA-9	7967			
LT-A 750 X KingQuad		750	1	2008-2008	Constr.Code K8	0.7	CR6E	6965			
LT-A 750 XP	AR41P	750	1	2009-2015		0.9	CR6EIA-9	7967			

*Bitte Elektrodenabstand nach Angaben des Herstellers justieren

*Please adjust the ground electrode gap

*Veuillez vérifier l'écartement

* Por favor, ajustar la distancia entre los electrodos

*Regolare il gap

** Iridium IX Spark Plug is the standard recommendation





Stock No.

Quick No.

Upgrade ↑

Stock No. ↑

SYM

Track Runner 200		200	1	2006-		0.8	CR8HSA	2086		CR8HIX	7669
Quad Lander 250		250	1	2006-		0.8	CR8HSA	2086		CR8HIX	7669
Quad Lander 300		300	1	-		0.7	CR8E	4854	Q226	CR8EIX	4218
Quad Lander 300s	UA30A	300	1	-	20hp	0.8	CR8E	4854	Q226	CR8EIX	4218
600 XP		500	1	2004-		0.6	CR7EKB	4455			
Quad Lander 600		600	1	-		0.7	CR8E	4854	Q226	CR8EIX	4218
Quad Raider 600 LE		600	1	-		0.7	CR8E	4854	Q226	CR8EIX	4218
Quad Raider 600s	UA60A	600	1	-		0.8	CR8E	4854	Q226	CR8EIX	4218

TGB

Hornet 90		90	1	-		0.7	BPR7HS	6422		BPR7HIX	5944
Blade 250 E		250	1	2008-		0.7	CR8E	4854	Q226	CR8EIX	4218

TRAILBLAZER

50		50	1	-		0.7	BP7HS	5111		BPR7HIX	5944
Mini		50	1	-		0.7	BPR7HS	6422		BPR7HIX	5944
90		90	1	-		0.7	BP7HS	5111		BPR7HIX	5944
90		90	1	-		0.7	CR7HSA	4549		CR7HIX	7544
170		170	1	2004-		0.7	DR8EA	7162		DR8EIX	6681
250		250	2	-		0.8	CR8HSA	2086		CR8HIX	7669

TRAILSPORT

TS-500		500	1	2004-	5hp	0.6	BR2-LM	5798			
TSB-600		600	1	2004-	6hp	0.6	BR2-LM	5798			

TRITON

Baja 300 Limited		280	1	-		0.9	DPR7EA-9	5129	Q220	DPR7EIX-9	7803
Baja 300 R		280	1	-		0.9	DPR7EA-9	5129	Q220	DPR7EIX-9	7803
Outback 300		280	1	-		0.9	DPR7EA-9	5129	Q220	DPR7EIX-9	7803
Outback 300 White Desert		280	1	-		0.9	DPR7EA-9	5129	Q220	DPR7EIX-9	7803

UNILLI

KX 150		150	1	2005-		0.6	CR7E	4578	Q225	CR7EIX	7385
---------------	--	-----	---	-------	--	-----	------	------	------	--------	------

UNISOM

Desert-Cat 50		50	1	2004-		0.6	BR8HS	4915	Q212	BR8HIX	7001
Desert-Cat 90		90	1	2004-		0.6	BR8HS	4915	Q212	BR8HIX	7001

UNITED MOTORS

Dirt Squirt 50		50	1	-		0.6	BR8HS	4915	Q212	BR8HIX	7001
Monntrax 50		50	1	-		0.8	BPR7HS	6422		BPR7HIX	5944
Dirt Squirt 90		90	1	-		0.6	BR8HS	4915	Q212	BR8HIX	7001
Earthlander 90		90	1	-		0.8	BPR7HS	6422		BPR7HIX	5944
Moontrax 90		90	1	-		0.6	BPR7HS	6422		BPR7HIX	5944
Reptile 90		90	1	-		0.7	C7HSA	4629		CR7HIX	7544

VENTO

Avalanche EX 100		100	1	-		0.7	BPR6HS	7022		BPR6HIX	4085
Rhino 250		250		-		0.7	DR8EA	7162		DR8EIX	6681

VINSON

ETV 4T		150	1	-		0.6	C7HSA	4629		CR7HIX	7544
ETV 4T		250	2	-		0.6	C7HSA	4629		CR7HIX	7544

XING FU

XF Trail 150		150	1	-		0.6	C7HSA	4629		CR7HIX	7544
---------------------	--	-----	---	---	--	-----	-------	------	--	--------	------

* Bitte Elektrodenabstand nach Angaben des Herstellers justieren

* Please adjust the ground electrode gap

* Veuillez vérifier l'écartement

* Por favor, ajustar la distancia entre los electrodos

* Regolare il gap

* Iridium IX Spark Plug is the standard recommendation





Stock No.

Quick No.

Upgrade ↑

Stock No. ↑

XING FU

XF Trail 250		250	2	-		0.6	C7HSA	4629		CR7HIX	7544
--------------	--	-----	---	---	--	-----	-------	------	--	--------	------

YAMAHA

YFM 50 RV		50	1	2006-		0.7	CR7HSA	4549		CR7HIX	7544
YFM 50 RX		50	1	2006-		0.7	CR7HSA	4549		CR7HIX	7544
YFM 50 S		50	1	2004-		0.7	CR7HS	7223		CR7HIX	7544
YFZ 50		50	1	2016-	OHC	1.0	CR6HSA	2983		CR6HIX	7274
YF 60	1HN	60	1	1987-		0.7	BPR6HS	7022		BPR6HIX	4085
YF 60 S		60	1	1986-		0.7	BP6HS	4511		BPR6HIX	4085
YT 60 L		60	1	1984-		0.6	BP6HS	4511		BPR6HIX	4085
YT 60 N Tri-Zinger		60	1	1984-		0.6	BP6HS	4511		BPR6HIX	4085
YFM 80		80	1	-		0.7	CR7HS	7223		CR7HIX	7544
YFM 80 E		80	1	1993-		0.7	C7HSA	4629		CR7HIX	7544
YFM 80 F		80	1	1993-		0.7	C7HSA	4629		CR7HIX	7544
YFM 80 Grizzly		80	1	2008-		0.7	CR7HSA	4549		CR7HIX	7544
YFM 80 RV	5THG	80	1	2006-		0.7	CR7HSA	4549		CR7HIX	7544
YFM 80 S		80	1	1985-		0.6	CR7HSA	4549		CR7HIX	7544
YFM 80 T		80	1	1985-		0.6	CR7HSA	4549		CR7HIX	7544
YFM 80 W 4x2		80	1	2002-		0.7	CR7HSA	4549		CR7HIX	7544
YFM 90 Raptor		90	1	2009-		0.8	CR7HSA	4549		CR7HIX	7544
YFM 100 T Champ, U Champ		100	1	1987-		0.7	CR7HSA	4549		CR7HIX	7544
YFA1 125 Breeze	3FA	125	1	1989-		0.7	CR7HS	7223		CR7HIX	7544
YFA1 125 F	3FA	125	1	1994-		0.7	C7HSA	4629		CR7HIX	7544
YFA 125 Breeze 4x2		125	1	1996-		0.7	CR7HSA	4549		CR7HIX	7544
YFM 125 A	AE02W	125	1	2007-		0.8	CR7HSA	4549		CR7HIX	7544
YFM 125 G	AE02W	125	1	2009-		0.8	CR7HSA	4549		CR7HIX	7544
YFM 125 GHX	AE02W	125	1	2008-		0.7	CR7HSA	4549		CR7HIX	7544
YFM 125 Grizzly	AE02W	125	1	2004-2014	9hp	0.8	CR7HSA	4549		CR7HIX	7544
YFM 125 GX	AE02W	125	1	2008-		0.7	CR7HSA	4549		CR7HIX	7544
YT 125		125	1	-		0.8	BP6ES	7811		BPR6EIX	6637
YT 125 CH		125	1	-		0.8	BP6ES	7811		BPR6EIX	6637
YT 125 G		125	1	1980-1984		0.8	BP6ES	7811		BPR6EIX	6637
YT 125 H		125	1	1980-1984		0.8	BP6ES	7811		BPR6EIX	6637
YT 125 J		125	1	1980-1984		0.8	BP6ES	7811		BPR6EIX	6637
YT 125 K		125	1	1980-1984		0.8	BP6ES	7811		BPR6EIX	6637
YT 125 L		125	1	1980-1984		0.8	BP6ES	7811		BPR6EIX	6637
YT 125 N		125	1	1985-		0.6	BP5ES	6511		BPR5EIX	6597
YZ 125 Grizzly	1C5K	125	1	2008-		0.7	CR7HSA	4549		CR7HIX	7544
YT 175		175	1	-		0.8	BPR7ES	2023		BPR7EIX	4055
YT 175 J		175	1	1982-		0.8	BPR7ES	2023		BPR7EIX	4055
YT 175 K		175	1	1982-		0.6	BPR7ES	2023		BPR7EIX	4055
YFM 200	59V	200	1	-		0.7	DR7ES	3123		DR7EIX	5686
YFM 200	2HT	200	1	-		0.7	DR7ES	3123		DR7EIX	5686
YFM 200	52H	200	1	1985-		0.7	DR7ES	3123		DR7EIX	5686
YFM 200		200	1	1992-		0.6	D7EA	7912		DR7EIX	5686
YFM 200 DX		200	1	-		0.7	DR7ES	3123		DR7EIX	5686
YFM 200 DXS		200	1	1986-		0.6	D7EA	7912		DR7EIX	5686
YFM 200 DXT		200	1	1986-		0.6	D7EA	7912		DR7EIX	5686
YFM 200 N		200	1	-		0.7	D7EA	7912		DR7EIX	5686
YFM 200 S		200	1	1986-		0.6	D7EA	7912		DR7EIX	5686
YFS 200 Blaster		200	1	1990-2007		0.7	BR8ES	5422	Q207	BR8EIX	5044
YFS 200 E		200	1	1993-		0.8	B8ES	2411	Q201	BR8EIX	5044

*Bitte Elektrodenabstand nach Angaben des Herstellers justieren

*Please adjust the ground electrode gap

*Veuillez vérifier l'écartement

* Por favor, ajustar la distancia entre los electrodos

*Regolare il gap

** Iridium IX Spark Plug is the standard recommendation





Stock No.

Quick No.

Upgrade ↑

Stock No. ↑

YAMAHA

YFS 200 F		200	1	1993-		0.8	B8ES	2411	Q201	BR8EIX	5044
YTM 200 EK		200	1	1983-		0.6	D7EA	7912		DR7EIX	5686
YTM 200 EL		200	1	1983-		0.6	D7EA	7912		DR7EIX	5686
YTM 200 ERN		200	1	1983-		0.6	D7EA	7912		DR7EIX	5686
YTM 200 K		200	1	1983-		0.6	D7EA	7912		DR7EIX	5686
YTM 200 L		200	1	1983-		0.6	D7EA	7912		DR7EIX	5686
YTM 200 N		200	1	1983-		0.6	D7EA	7912		DR7EIX	5686
TT 225		225		-		0.7	DR8ES-L	2923	Q218	DR9EIX	4772
YFM 225	59V/2HT	225	1	1992-		0.7	DR7ES	3123		DR7EIX	5686
YFM 225 S		225	1	-		0.7	D7EA	7912		DR7EIX	5686
YTM 225 DRN		225	1	1983-		0.6	D7EA	7912		DR7EIX	5686
YTM 225 DRS		225	1	1983-		0.6	D7EA	7912		DR7EIX	5686
YTM 225 DXK		225	1	1983-		0.6	D7EA	7912		DR7EIX	5686
YTM 225 DXL		225	1	1983-		0.6	D7EA	7912		DR7EIX	5686
YTM 225 DXN		225	1	1983-		0.6	D7EA	7912		DR7EIX	5686
YTM 225 DXS		225	1	1983-		0.6	D7EA	7912		DR7EIX	5686
YTM 225 S		225	1	1983-		0.6	D7EA	7912		DR7EIX	5686
YTM 225 T		225	1	1983-		0.6	D7EA	7912		DR7EIX	5686
YFU 230 1		230	1	-1990		0.7	DR7ES	3123		DR7EIX	5686
YFU 230 1 TW		230	1	-1990		0.7	DR7ES	3123		DR7EIX	5686
YFB 250 E		250	1	1993-		0.7	D7EA	7912		DR7EIX	5686
YFB 250 F		250	1	1993-		0.7	D7EA	7912		DR7EIX	5686
YFB 250 FW		250	1	1994-		0.7	DR7EA	7839		DR7EIX	5686
YFB 250 FWF		250	1	1993-		0.7	D7EA	7912		DR7EIX	5686
YFB 250 Timberwolf 4x2		250	1	-1999		0.7	DR7EA	7839		DR7EIX	5686
YFM 250	3GH	250	1	1990-		0.7	DR7ES	3123		DR7EIX	5686
YFM 250 4x2		250	1	1990-		0.7	DR7ES	3123		DR7EIX	5686
YFM 250 Big Bear	AG01W	250	1	2007-2011	18hp	0.7	DR7EA	7839		DR7EIX	5686
YFM 250 Big Bear Raptor		250	1	2008-		0.7	DR7EA	7839		DR7EIX	5686
YFM 250 Bruin	1P02/1P03	250	1	2005-		0.6	DR7EA	7839		DR7EIX	5686
YFM 250 R		250	1	2008-		0.7	DR7EA	7839		DR7EIX	5686
YFM 250 Raptor		250	1	2012-		0.7	DR7EA	7839		DR7EIX	5686
YFM 250 Timberwolf		250	1	-		0.7	DR7EA	7839		DR7EIX	5686
YFM 250 X Bear Tracker		250	1	2000-2004	18hp	0.7	DR7EA	7839		DR7EIX	5686
YFM 250 X Bear Tracker 4x2		250	1	1999-		0.7	DR7EA	7839		DR7EIX	5686
YTZ 250 N		250	1	1985-		0.7	B8ES	2411	Q201	BR8EIX	5044
YTZ 250 S		250	1	1985-		0.7	B8ES	2411	Q201	BR8EIX	5044
YFM 350	2HR/2HN	350	1	1992-		0.6	DR8ES-L	2923	Q218	DR9EIX	4772
YFM 350 4x2		350	1	1989-		0.7	DR8ES-L	2923	Q218	DR9EIX	4772
YFM 350 4x4	2HR	350	1	-		0.7	DR8ES-L	2923	Q218	DR9EIX	4772
YFM 350 4x4	3HN	350	1	-		0.7	DR8ES-L	2923	Q218	DR9EIX	4772
YFM 350 Bruin		350	1	2005-2006	22hp	0.7	DR8EA	7162		DR8EIX	6681
YFM 350 ERF		350	1	1994-		0.7	D8EA	2120	Q216	DR8EIX	6681
YFM 350 ERT		350	1	1987-		0.6	D8EA	2120	Q216	DR8EIX	6681
YFM 350 FW		350	1	1994-		0.7	DR8EA	7162		DR8EIX	6681
YFM 350 FWB Big Bear 4x4		350	1	-2001		0.7	DR8EA	7162		DR8EIX	6681
YFM 350 FWF		350	1	1994-		0.7	D8EA	2120	Q216	DR8EIX	6681
YFM 350 FWT		350	1	1987-		0.6	D8EA	2120	Q216	DR8EIX	6681
YFM 350 FWX Wolverine 4x4		350	1	-1998		0.7	DR8EA	7162		DR8EIX	6681
YFM 350 Grizzly		350	1	2007-	22hp	0.7	DR8EA	7162		DR8EIX	6681

* Bitte Elektrodenabstand nach Angaben des Herstellers justieren

* Please adjust the ground electrode gap

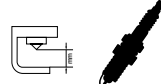
* Veuillez vérifier l'écartement

* Por favor, ajustar la distancia entre los electrodos

* Regolare il gap

* Iridium IX Spark Plug is the standard recommendation





Stock No.

Quick No.

Upgrade ↑

Stock No. ↑

YAMAHA

YFM 350 Grizzly 4x2		350	1	2009-		0.6	DR8EA	7162		DR8EIX	6681
YFM 350 Grizzly 4x4		350	1	2009-		0.6	DR8EA	7162		DR8EIX	6681
YFM 350 R		350	1	-		*	DR8EA	7162		DR8EIX	6681
YFM 350 Raptor		350	1	2008-		0.7	DR8EA	7162		DR8EIX	6681
YFM 350 Raptor		350	1	2012-		0.7	DR8EA	7162		DR8EIX	6681
YFM 350 R Raptor		350	1	2004-2012	27hp	0.7	DR8EA	7162		DR8EIX	6681
YFM 350 U Big Bear 4x2		350	1	-2000		0.7	DR8EA	7162		DR8EIX	6681
YFM 350 Wolverine		350	1	2008-		0.7	DR8EA	7162		DR8EIX	6681
YFM 350 XF		350	1	1994-		0.7	D8EA	2120	Q216	DR8EIX	6681
YFM 350 XT		350	1	1987-		0.6	D8EA	2120	Q216	DR8EIX	6681
YFM 350 X Warrior 4x2		350	1	1995-2003		0.7	DR8EA	7162		DR8EIX	6681
YFZ 350		350	2	1994-		0.8	BR8ES	5422	Q207	BR8EIX	5044
YFZ 350 Banshee		350	2	1986-		0.8	BR8ES	5422	Q207	BR8EIX	5044
YFZ 350 Banshee		350	2	2000-2012	46hp	0.8	BR8HS	4915	Q212	BR8HIX	7001
YFZ 350 E		350	2	1993-		0.8	B8ES	2411	Q201	BR8EIX	5044
YFZ 350 F		350	2	1993-		0.8	B8ES	2411	Q201	BR8EIX	5044
YFZ 350 T		350	2	1987-		0.7	B8ES	2411	Q201	BR8EIX	5044
YFM 400		400	1	1993-		0.7	DR8ES-L	2923	Q218	DR9EIX	4772
YFM 400 AN Kodiak 4x2		400	1	2003-2004		0.7	DR8EA	7162		DR8EIX	6681
YFM 400 Big Bear 4x4		400	1	2008-		0.6	DR8EA	7162		DR8EIX	6681
YFM 400 Big Bear 4x4		400	1	2012-		0.7	DR8EA	7162		DR8EIX	6681
YFM 400 Big Bear 4x4 Hunter		400	1	2012-		0.7	DR8EA	7162		DR8EIX	6681
YFM 400 FP		400	1	2002-2005	24hp	0.7	DR8EA	7162		DR8EIX	6681
YFM 400 FW		400	1	1994-		0.7	DR8EA	7162		DR8EIX	6681
YFM 400 FWA Kodiak		400	1	2000-		0.7	DR8EA	7162		DR8EIX	6681
YFM 400 FWA Kodiak 4x4		400	1	-2000		0.6	DR8EA	7162		DR8EIX	6681
YFM 400 FWAN Kodiak 4x2		400	1	2003-2004		0.7	DR8EA	7162		DR8EIX	6681
YFM 400 FWAN Kodiak 4X4		400	1	2003-2004		0.7	DR8EA	7162		DR8EIX	6681
YFM 400 FW Big Bear Pro 4x4		400	1	2000-		0.6	DR8EA	7162		DR8EIX	6681
YFM 400 FWF		400	1	1994-		0.7	D8EA	2120	Q216	DR8EIX	6681
YFM 400 FW Kodiak		400	1	1992-1999		0.6	DR8EA	7162		DR8EIX	6681
YFM 450		450		2008-		0.7	DR8EA	7162		DR8EIX	6681
YFM 450 Grizzly		450	1	2008-2016	26hp	0.7	DR8EA	7162		DR8EIX	6681
YFM 450 Kodiak		450	1	2018-	OHC	0.7	DR7EA	7839		DR7EIX	5686
YFM 450 Kodiak EPS		450	1	2018-	OHC	0.7	DR7EA	7839		DR7EIX	5686
YFM 450 Wolverine 4x4		450	1	2008-		0.6	DR8EA	7162		DR8EIX	6681
YFZ 450 R		450	1	2008-		0.7	CR8E	4854	Q226	CR8EIX	4218
YFZ 450 S		450	1	2006-		0.8	CR8E	4854	Q226	CR8EIX	4218
YFZ 450 V		450	1	2006-		0.8	CR8E	4854	Q226	CR8EIX	4218
YFZ 450 X		450	1	2008-		0.7	CR8E	4854	Q226	CR8EIX	4218
YFM 500		500	1	2008-		0.7	CR7HSA	4549		CR7HIX	7544
YFM 500 G		550	1	2009-		0.9	LMAR6A-9	5946			
YFM 500 Grizzly		550	1	2009-		0.9	LMAR7A-9	4908			
YFM 550 Grizzly 4x4		550	1	2011-		*	LMAR6A-9	5946			
YFM 600 FWA Grizzly 4x4		600	1	-2001		0.9	DP8EA-9	5829		DPR8EIX-9	2202
YFM 500 Grizzly		660	1	2008-		0.9	DPR8EA-9	4929	Q221	DPR8EIX-9	2202
YFM 660 FWA Grizzly 4x2		660	1	2001-		0.9	DPR8EA-9	4929	Q221	DPR8EIX-9	2202

*Bitte Elektrodenabstand nach Angaben des Herstellers justieren

*Please adjust the ground electrode gap

*Veuillez vérifier l'écartement

* Por favor, ajustar la distancia entre los electrodos

*Regolare il gap

** Iridium IX Spark Plug is the standard recommendation





Stock No.

Quick No.

Upgrade ↑

Stock No. ↑

YERF-DOG

23000		90	1	2004-		0.7	BP7HS	5111		BPR7HIX	5944
23100		150	1	2004-		0.6	BR6ES	4922			

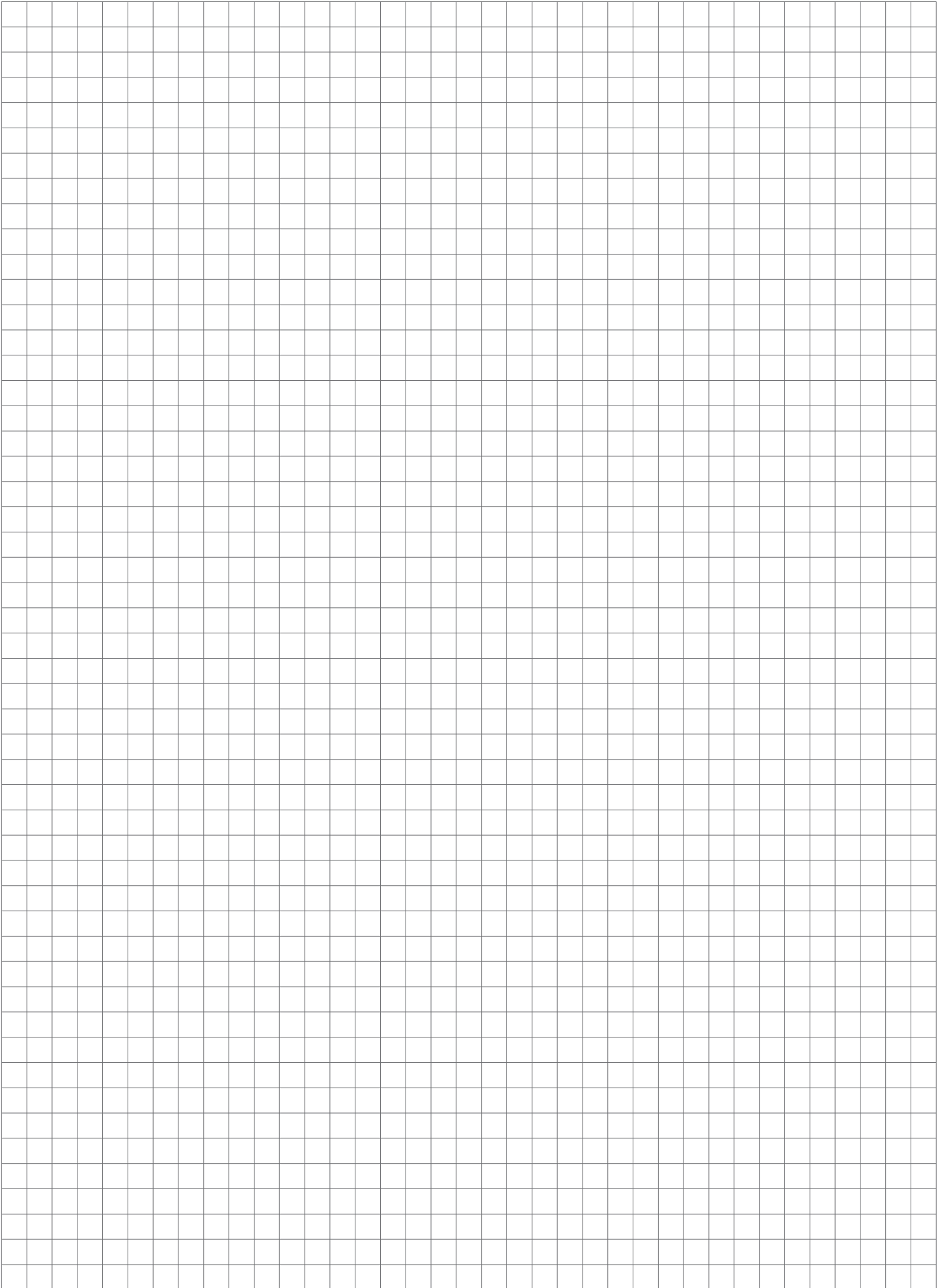
ZONGSHEN

ZS 125 ST		125	1	2004-		0.6	BKR5E	7938		BKR5EIX	6341
Shineray		200	1	-		0.7	D8EA	2120	Q216	DR8EIX	6681

* Bitte Elektrodenabstand nach Angaben des Herstellers justieren
 * Please adjust the ground electrode gap
 * Veuillez vérifier l'écartement

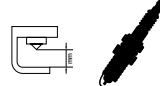
* Por favor, ajustar la distancia entre los electrodos
 * Regolare il gap
 * * Iridium IX Spark Plug is the standard recommendation







IGNITION
PARTS



Stock No.

Quick No.

Upgrade ↑

Stock No. ↑

AEON

Cube 300 4x2		300	1	-		*	DPR7EA-9	5129	Q220	DPR7EIX-9	7803
Cube 350 4x4		350	1	-		*	DPR7EA-9	5129	Q220	DPR7EIX-9	7803

APACHE

Superbug 150		150	1	-		0.7	CR7HSA	4549		CR7HIX	7544
---------------------	--	-----	---	---	--	-----	--------	------	--	--------	------

ARCTIC CAT

Prowler 500 HDX	U2014P5K4C	500	1	2014-2014		0.7	CR7E	4578	Q225	CR7EIX	7385
Prowler 500 HDX EFI 4x4 UTV		500	1	2014-2014		0.7	CR7E	4578	Q225	CR7EIX	7385
Prowler 500 HDX LTD PS EFI 4x4 UTV		500	1	2014-2014		0.7	CR7E	4578	Q225	CR7EIX	7385
Prowler 500 HDX XT	U2014P6K4C	500	1	2014-2014		0.7	CR7E	4578	Q225	CR7EIX	7385
Prowler 550 4x4 Flatbed	U2009P1O4B	550	1	2009-2009		0.7	CPR8E	7411			
Prowler 550 XT	U2013P2O4E	550	1	2014-2014		0.7	CPR8E	7411			
Prowler 550 XT EFI 4x4 UTV		550	1	2012-2012		0.7	CPR8E	7411			
Prowler 550 XT EFI 4x4 UTV		550	1	2013-2013		0.7	CPR8E	7411			
Prowler 550 XT EFI 4x4 UTV		550	1	2014-2014		0.7	CPR8E	7411			
Prowler 550 XT H1 EFI 4x4 UTV		550	1	2010-2010		0.7	CPR8E	7411			
Prowler 550 XT H1 EFI 4x4 UTV		550	1	2011-2011		0.7	CPR8E	7411			
Prowler 650 H1 4x4 Auto	U2007P1S4BUS	650	1	2007-2007		0.7	CPR8E	7411			
Prowler 650 H1 4x4 Auto	U2008P1S4BUS	650	1	2008-2008		0.7	CPR8E	7411			
Prowler 650 HDX LTD PS EFI 4x4 UTV		650	1	2014-2014		0.7	CPR8E	7411			
Prowler 650 XT 4x4 Auto	U2009P2S4BUS	650	1	2009-2009		0.7	CPR8E	7411			
Prowler 650 XT H1 4x4 Auto	U2006P2S4BUS	650	1	2006-2006		0.7	CPR8E	7411			
Prowler 650 XT H1 4x4 Auto	U2007P2S4BUS	650	1	2007-2007		0.7	CPR8E	7411			
Prowler XT H1 4x4 Auto	U2008P2S4BUS	650	1	2008-2008		0.7	CPR8E	7411			
Prowler 700 XDX	U2014P5T1P	700	1	2014-2014		0.7	CPR8E	7411			
Prowler 700 XDX EFI 4x4 UTV		700	1	2012-2012		0.7	CPR8E	7411			
Prowler 700 XDX EFI PS 4x4 UTV		700	1	2013-2013		0.7	CPR8E	7411			
Prowler 700 XDX H1 EFI 4x4 UTV		700	1	2011-2011		0.7	CPR8E	7411			
Prowler 700 XT 4x4	U2009P2T4EUS	700	1	2009-2009		0.7	CPR8E	7411			
Prowler 700 XTX	U2014P3T1P	700	1	2014-2014		0.7	CPR8E	7411			
Prowler 700 XTX 4x4	U2009P3T4E	700	1	2009-2009		0.7	CPR8E	7411			
Prowler 700 XTX EFI 4x4 UTV		700	1	2012-2012		0.7	CPR8E	7411			
Prowler 700 XTX EFI PS 4x4 UTV		700	1	2013-2013		0.7	CPR8E	7411			
Prowler 700 XTX H1 4x4 Auto	U2008P2T4EUS	700	1	2008-2008		0.7	CPR8E	7411			
Prowler 700 XTX H1 EFI 4x4 UTV		700	1	2010-2010		0.7	CPR8E	7411			
Prowler 700 XTX H1 EFI 4x4 UTV		700	1	2011-2011		0.7	CPR8E	7411			
Prowler 700 XTX LE 4x4		700	1	2009-2009		0.7	CPR8E	7411			
Prowler 700 XTX PS EFI 4x4 UTV		700	1	2014-2014		0.7	CPR8E	7411			
Wildcat Sport	U2015W6T4CU	700	1	2015-2015		0.7	CR8EB	7784			
Wildcat Trail	U2014W5T2PU	700	1	2014-2014		0.7	CR8EB	7784			
Wildcat Trail	U2015W5T4CU	700	1	2015-2015		0.7	CR8EB	7784			

*Bitte Elektrodenabstand nach Angaben des Herstellers justieren

*Please adjust the ground electrode gap

*Veuillez vérifier l'écartement

* Por favor, ajustar la distancia entre los electrodos

*Regolare il gap

** Iridium IX Spark Plug is the standard recommendation





Stock No.

Quick No.

Upgrade ↑

Stock No. ↑

ARCTIC CAT

Wildcat Trail Cat		700	1	2015-2015		0.7	CR8EB	7784			
Wildcat Trail XT	U2014WCT4CU	700	1	2014-2014		0.7	CR8EB	7784			
Wildcat Trail XT	U2015WCT4CU	700	1	2015-2015		0.7	CR8EB	7784			
Prowler 1000 XTZ 4x4	U2009P4W4EUS	1000	2	2009-2009		0.7	CPR8E	7411			
Prowler 1000 XTZ EFI 4x4 UTV		1000	2	2013-2013		0.7	CPR8E	7411			
Prowler 1000 XTZ EFI PS 4x4 UTV	U2014P4W1P	1000	2	2014-2014		0.7	CPR8E	7411			
Prowler 1000 XTZ H2 4x4	U2009P4W4E	1000	2	2009-2009		0.7	CPR8E	7411			
Prowler 1000 XTZ H2 4x4 Baja		1000	2	2010-2010		0.7	CPR8E	7411			
Prowler 1000 XTZ H2 EFI 4x4 UTV		1000	2	2011-2011		0.7	CPR8E	7411			
Prowler 1000 XTZ H2 EFI 4x4 UTV		1000	2	2012-2012		0.7	CPR8E	7411			
Prowler 1000 XTZ PS EFI 4x4 UTV		1000	2	2014-2014		0.7	CPR8E	7411			
Wildcat	U2013W2W1P	1000	2	2013-2013		0.7	CPR8E	7411			
Wildcat	U2014W3W1P	1000	2	2014-2014		0.7	CPR8E	7411			
Wildcat	U2015W3W1P	1000	2	2015-2015		0.7	CPR8E	7411			
Wildcat 4	U2013W4W1P	1000	2	2013-2013		0.7	CPR8E	7411			
Wildcat 4	U2014W4W1P	1000	2	2014-2014		0.7	CPR8E	7411			
Wildcat 4 LTD	U2014WBW1P	1000	2	2014-2014		0.7	CPR8E	7411			
Wildcat 4 X	U2014WFW1P	1000	2	2014-2014		0.7	CPR8E	7411			
Wildcat 4 X LTD	U2014WGW1PUSJ	1000	2	2014-2014		0.7	CPR8E	7411			
Wildcat GT	U2012W2W1P	1000	2	2012-2012		0.7	CPR8E	7411			
Wildcat GT	U2013W2W1P	1000	2	2013-2013		0.7	CPR8E	7411			
Wildcat Late Build	U2013W3W1P	1000	2	2013-2013		0.7	CPR8E	7411			
Wildcat LTD	U2013W2W1P	1000	2	2013-2013		0.7	CPR8E	7411			
Wildcat LTD	U2014WAW1P	1000	2	2014-2014		0.7	CPR8E	7411			
Wildcat LTD Late Build	U2013W3W1P	1000	2	2013-2013		0.7	CPR8E	7411			
Wildcat X	U2013W3W1P	1000	2	2013-2013		0.7	CPR8E	7411			
Wildcat X	U2014WSW1P	1000	2	2014-2014		0.7	CPR8E	7411			
Wildcat X	U2015WTW1P	1000	2	2015-2015		0.7	CPR8E	7411			
Wildcat X LTD	U2014WTW1P	1000	2	2014-2014		0.7	CPR8E	7411			

BOROSI

BB		650	2	-		0.6	BP6ES	7811		BPR6EIX	6637
BB		1600	4	-		0.7	BCPR7E	1272			

BRISTER

Brister's Chuck Wagon			1	-	HONDA Engine GX340 11hp OHV	1.1	BPR6ES-11	4824		BPR6EIX-11	3903
F1-25			1	-	TECUMSEH 5hp OHV	0.6	BR6ES	4922			
F1-265			1	-	TECUMSEH 7hp OHV	0.6	BR6ES	4922			
F1-265E			1	-	TECUMSEH 7hp OHV	0.6	BR6ES	4922			
F2-265			1	-	TECUMSEH 7hp OHV	0.6	BR6ES	4922			
F2-265E			1	-	TECUMSEH 7hp OHV	0.6	BR6ES	4922			
The Bug			1	-	TECUMSEH 3hp	0.6	BR6S	3522			
The Scorpion			1	-	TECUMSEH 7hp OHV	0.6	BR6ES	4922			
The Scorpion S			1	-	TECUMSEH 11hp OHV	0.6	BR6ES	4922			
The Scorpion S			1	-	TECUMSEH 7hp OHV	0.6	BR6ES	4922			
The Spider			1	-	TECUMSEH 5hp OHV	0.6	BR6ES	4922			

* Bitte Elektrodenabstand nach Angaben des Herstellers justieren

* Please adjust the ground electrode gap

* Veuillez vérifier l'écartement

* Por favor, ajustar la distancia entre los electrodos

* Regolare il gap

* Iridium IX Spark Plug is the standard recommendation





Stock No.

Quick No.

Upgrade ↑

Stock No. ↑

BRISTER

The Spider X			1	-	TECUMSEH 7hp OHV	0.6	BR6ES	4922			
The Stinger			1	-	TECUMSEH 5hp OHV	0.6	BR6ES	4922			

BUSH HOG

Trail Hunter			1	-	HONDA 24hp	0.6	ZGR5A	5839			
Trail Hunter			1	-	HONDA 20hp	0.8	BPR6ES	7822		BPR6EIX	6637
Trail Hunter			1	-	BRIGGS & STRATTON 16hp	0.6	BKR5E	7938		BKR5EIX	6341

CAN-AM

Commander 800		800	2	2011-		0.7	DCPR8E	4179		DCPR8EIX	6546
Commander 1000		1000	2	2011-		0.7	DCPR8E	4179		DCPR8EIX	6546

CUB CADET

Volunteer 4x4		624	2	2009-	KOHLER Engine CH640	0.7	BCPR5ES	6130		BCPR5EIX	5688
Volunteer 4x4 EFI		747	2	2012-	KOHLER Engine Aegis	0.7	BPR5E	7075		BPR5EIX	6597
Volunteer 4x4 Diesel		854		-	11V YANMAR		Y1021J	97627			

CUSHMAN

Hauler 1200		400	4	2016-	KAWASAKI 13hp	0.7	BPR2ES	2264			
Hauler 1200X		400	4	2016-	KAWASAKI 13hp	0.7	BPR2ES	2264			
Hauler 800		400	4	2016-	KAWASAKI 13hp	0.7	BPR2ES	2264			
Oasis		400	4	2016-	KAWASAKI 13hp	0.7	BPR2ES	2264			
Refresher FS2		400	4	2016-	KAWASAKI 13hp	0.7	BPR2ES	2264			
Refresher FS4		400	4	2016-	KAWASAKI 13hp	0.7	BPR2ES	2264			
Shuttle 2		400	4	2016-	KAWASAKI 13hp	0.7	BPR2ES	2264			
Shuttle 4		400	4	2016-	KAWASAKI 13hp	0.7	BPR2ES	2264			
Shuttle 6		400	4	2016-	KAWASAKI 13hp	0.7	BPR2ES	2264			
Shuttle 8		400	4	2016-	KAWASAKI 13hp	0.7	BPR2ES	2264			

EPELLA

X 150 Rider		150	1	2007-		0.7	CR7HSA	4549		CR7HIX	7544
Buggy II Euro2		250	1	2007-	Water fluid	0.9	DPR7EA-9	5129	Q220	DPR7EIX-9	7803

EZGO

Hauler 1200		400	4	2016-	KAWASAKI 13hp	0.7	BPR2ES	2264			
Hauler 1200X		400	4	2016-	KAWASAKI 13hp	0.7	BPR2ES	2264			
Hauler 800		400	4	2016-	KAWASAKI 13hp	0.7	BPR2ES	2264			
Oasis		400	4	2016-	KAWASAKI 13hp	0.7	BPR2ES	2264			
Refresher FS2		400	4	2016-	KAWASAKI 13hp	0.7	BPR2ES	2264			
Refresher FS4		400	4	2016-	KAWASAKI 13hp	0.7	BPR2ES	2264			
RXV Golf Kart		400	4	2016-	13hp	0.7	BPR2ES	2264			
Shuttle 2		400	4	2016-	KAWASAKI 13hp	0.7	BPR2ES	2264			
Shuttle 4		400	4	2016-	KAWASAKI 13hp	0.7	BPR2ES	2264			
Shuttle 6		400	4	2016-	KAWASAKI 13hp	0.7	BPR2ES	2264			
Shuttle 8		400	4	2016-	KAWASAKI 13hp	0.7	BPR2ES	2264			
TXT Golf Kart		400	4	2014-	13hp	0.7	BPR2ES	2264			

HONDA

Pioneer 500	SXS 500		1	2015-		1.1	BKR5E-11	6953		BKR5EIX-11	5464
M Big Red	M	675	1	-		0.7	DR8ES-L	2923	Q218	DR9EIX	4772
Pioneer 700	SXS 700	675	1	2014-2014		1.1	BKR5E-11	6953		BKR5EIX-11	5464
Pioneer 700	SXS 700	675	1	2015-		0.9	CPR6EB-9	5958			

* Bitte Elektrodenabstand nach Angaben des Herstellers justieren

* Please adjust the ground electrode gap

* Veuillez vérifier l'écartement

* Por favor, ajustar la distancia entre los electrodos

* Regolare il gap

** Iridium IX Spark Plug is the standard recommendation





Stock No.

Quick No.

Upgrade ↑

Stock No. ↑

HONDA

Pioneer 1000	SXS 1000	1000	2	2016-		0.9	SILMAR7A9S	93675			
---------------------	----------	------	---	-------	--	-----	------------	-------	--	--	--

JOHN DEERE

Gator				-	KAWASAKI 18hp OHV	0.6	BMR6A	7421			
Gator				-	KAWASAKI 10hp	0.6	B5HS	4210			
Gator			2	-	KAWASAKI Engine FD620D 20hp	0.9	BMR2A-10	4452			
Gator 4x2				-		0.8	BPR6ES	7822		BPR6EIX	6637
Gator 250		250	1	-	KAWASAKI Engine FE250D 8hp	0.7	BPR5ES	7422		BPR5EIX	6597
Gator 290		290	1	-	KAWASAKI Engine FE290D 10hp	0.7	BPR5ES	7422		BPR5EIX	6597
Gator 854 6x4		854	3	-		0.9	BMR2A-10	4452			

KAWASAKI

KAF 300 4x2	KAF	300	1	1991-1999		0.7	BPR5ES	7422		BPR5EIX	6597
KAF 300 A Mule 500	KAF	300	1	1991-	Constr.Code 1	0.7	BPR5ES	7422		BPR5EIX	6597
KAF 300 B Mule 500	KAF	300	1	1995-1996	Constr.Code 1-2	0.7	BPR5ES	7422		BPR5EIX	6597
KAF 300 C Mule 550	KAF	300	1	1994-2004	Constr.Code 1-7	0.7	BPR5ES	7422		BPR5EIX	6597
KAF 300 D Mule 520	KAF	300	1	2000-		0.7	BPR5ES	7422		BPR5EIX	6597
KAF 400 B Mule 600	KAF	400	1	2007-		0.7	BPR5ES	7422		BPR5EIX	6597
KAF 400 Mule 4x2		401	1	-		0.8	BPR2ES	2264			
KAF 400 Mule 4x4		401	1	-		0.8	BPR2ES	2264			
KAF 400 Mule 600		401	1	2010-		0.6	BPR5ES	7422		BPR5EIX	6597
KAF 400 Mule 610 4x4		401	1	2010-		0.6	BPR5ES	7422		BPR5EIX	6597
KAF 450	KAF	450		1991-		0.7	D7EA	7912		DR7EIX	5686
KAF 450	KAF	450		1992-1996	Water fluid	0.7	D6EA	7512			
KAF 450 B Mule 1000 UV		450		-		0.7	D6EA	7512			
KAF 540		540		1991-1993		0.7	BP5ES	6511		BPR5EIX	6597
KAF 540 C Mule 2010 UV		540		-		0.6	BPR5ES	7422		BPR5EIX	6597
KAF 550	KAF	550		1994-		0.7	BPR5ES	7422		BPR5EIX	6597
KAF 620 A Mule 2510 4x4	KAF	620	2	1995-2000	Constr.Code 1-6	0.6	BMR2A	7677			
KAF 620 B Mule 2520	KAF	620		1993-		0.7	BMR2A	7677			
KAF 620 C Mule 2500	KAF	620		1993-		0.7	BMR2A	7677			
KAF 620 C Mule 2500	KAF	620	2	1995-2000	Constr.Code 1-6	0.6	BMR2A	7677			
KAF 620 E Mule 3010 4x4	KAF	620	2	2001-2004	Constr.Code 1-4	0.6	BPR2ES	2264			
KAF 620 G Mule 3000	KAF	620	2	2001-2004	Constr.Code 1-4	0.6	BPR2ES	2264			
KAF 950 A Mule 2510 Diesel	KAF	950	3	2000-2002	11V		Y-706R	3041			
KAF 950 B Mule 3010 4x4 Diesel	KAF	950	3	2003-2004	11V Constr.Code 1-2		Y-706R	3041			
KAF 950 Mule 3010 Trans Diesel	KAF	950	3	2007-	11V		Y-706R	3041			
KAF 953 Mule 4010 Diesel 4x4	KAF	953	3	2010-	11V		Y-706R	3041			

KYMCO

UXV 500		500	1	-		0.6	CR7E	4578	Q225	CR7EIX	7385
UXV 500		500	1	2008-		0.9	DPR7EA-9	5129	Q220	DPR7EIX-9	7803

MASSEY-FERGUSON

MF 250 2WD			1	2006-2008		*	DR7EA	7839		DR7EIX	5686
MF 350 MRP 4WD			1	2006-2008		*	DR7EA	7839		DR7EIX	5686
MF 400 MRP 4WD			1	2006-2008		*	CR6E	6965			
MF 450 MRP 4WD			1	2006-2008		*	CR6E	6965			

* Bitte Elektrodenabstand nach Angaben des Herstellers justieren

* Please adjust the ground electrode gap

* Veuillez vérifier l'écartement

* Por favor, ajustar la distancia entre los electrodos

* Regolare il gap

* Iridium IX Spark Plug is the standard recommendation





Stock No.

Quick No.

Upgrade ↑

Stock No. ↑

MASSEY-FERGUSON

MF 500 MRP 4WD			1	2006-2008		*	CR6E	6965			
MF 500 TBX 4WD			1	2006-2008		*	CR6E	6965			

MOTO ROMA

Buggy SS	AB125E/AB125R	125	1	-		0.7	C7HSA	4629		CR7HIX	7544
DS Buggy	AB150IIR	150	1	-		0.7	C7HSA	4629		CR7HIX	7544

POLARIS

UTV 2x4	C11RB42AA/ C11RD50AA/ C11RD50AB/ C11RF50AA			-	24hp	0.6	BKR5E	7938		BKR5EIX	6341
UTV 4x4	C11RB42AA/ C11RD50AA/ C11RD50AB/ C11RF50AA			-	30hp	0.6	BKR5E	7938		BKR5EIX	6341
UTV 6x6	C11RB42AA/ C11RD50AA/ C11RD50AB/ C11RF50AA			-	30hp	0.6	BKR5E	7938		BKR5EIX	6341
RZR 170	A09VA17AA/ A09VA17AD / A10VA17AA/ A10VA17AD	170	1	2009-2010		*	CR6HSA	2983		CR6HIX	7274
RZR 170	R11VA17AA / R12VA17AA/ R12VA17AC / R13VA17AA/ R13VA17AAAB / R14VA17AA/ R14VA17AF	170	1	2011-2014		*	CR6HSA	2983		CR6HIX	7274
M 1400 Gas		325	1	2015-		0.8	MR7F	95897			
Ranger 325 ETX		325	1	2015-2016		0.8	MR7F	95897			
Ranger 325 ETX EU		325	1	2015-		0.8	MR7F	95897			
Ranger 400 4x4	R14RH45AA	400	1	2014-2014		0.9	BKR6E	6962		BKR6EIX	6418
Ranger 400 4x4 HO	R10RH45AG/ R10RH45AH/ R10RH45AR	400	1	2010-2011		0.9	BKR6E	6962		BKR6EIX	6418
Ranger 400 Mid-Size	R13RH45AG	400	1	2013-2013		0.9	BKR6E	6962		BKR6EIX	6418
Hauler 500 Light Utility EH50		500		2002-		0.6	BKR5E	7938		BKR5EIX	6341
Ranger 500		500	1	1999-1999		0.8	BKR5E	7938		BKR5EIX	6341
Ranger 500 2x4	A04RB42AA	500	1	2004-2008		0.7	BKR5E	7938		BKR5EIX	6341
Ranger 500 2x4 Carb	R09RB50AF	500	1	2009-2009		0.7	BKR5E	7938		BKR5EIX	6341
Ranger 500 4x4	A04RB42AA	500	1	2004-2007		0.7	BKR5E	7938		BKR5EIX	6341
Ranger 500 4x4 Crew	R11RH50AG/ R11RH50AH/ R11RH50AR	500	1	2011-2012		0.7	BKR5E	7938		BKR5EIX	6341
Ranger 500 4x4 Crew le - urbo silver	R12WH50AG/ R12WH50AH/ R12WH50AK/ R12WH50AR	500	1	2012-		0.8	BKR5E	7938		BKR5EIX	6341
Ranger 500 4x4 Crew - Pursuit camo	R12WH50AG/ R12WH50AH/ R12WH50AK/ R12WH50AR	500	1	2012-		0.8	BKR5E	7938		BKR5EIX	6341
Ranger 500 4x4 Crew - Sagebrush green	R12WH50AG/ R12WH50AH/ R12WH50AK/ R12WH50AR	500	1	2012-		0.8	BKR5E	7938		BKR5EIX	6341
Ranger 500 4x4 Crew - Solar red	R12WH50AG/ R12WH50AH/ R12WH50AK/ R12WH50AR	500	1	2012-		0.8	BKR5E	7938		BKR5EIX	6341
Ranger 500 4x4 EFI	R06RD50AC / R07RB50AA/ RH50AA / R08RH50AF/ R08RH50AR/ R08RH50AT / R09HH50AG/ R09HH50AR	500	1	2006-2009		0.7	BKR6E	6962		BKR6EIX	6418

* Bitte Elektrodenabstand nach Angaben des Herstellers justieren

* Please adjust the ground electrode gap

* Veuillez vérifier l'écartement

* Por favor, ajustar la distancia entre los electrodos

* Regolare il gap

** Iridium IX Spark Plug is the standard recommendation





Stock No.

Quick No.

Upgrade ↑

Stock No. ↑

POLARIS

Ranger 500 4x4 EFI	R10TH50AG/ R10TH50AR	500	1	2010-2011		0.7	BKR5E	7938		BKR5EIX	6341
Ranger 500 6x6	A04RB42AA	500	1	2004-2005		0.7	BKR5E	7938		BKR5EIX	6341
Ranger 500 Crew Mid-Size	R13RH50AG/ R13RH50AH/ R13RH50AM/ R13RH50AR	500	1	2013-2013		0.7	BKR5E	7938		BKR5EIX	6341
Ranger 500 Mid-Size		500	1	2013-2013		0.7	BKR5E	7938		BKR5EIX	6341
570 TR PRM PS MD		570	1	2015-		0.8	MR7F	95897			
Forest Tractor 570 EFI		570	1	2015-		0.8	MR7F	95897			
Forest Tractor 570 EPS		570	1	2015-		0.8	MR7F	95897			
Ranger 570	R15RMA57AA/ R15RMA57AR/ R15RMA57AZ/ R15RMA57AC/ R15RMA57FA/ R15RMA57LA/ R15RMH57AR	570	1	2015-		0.8	MR7F	95897			
Ranger 570	R16RMA57A1/ R16RMA57A4/ R16RMA57A9/ R16RMA57L1/ R16RME57AS/ R16RME57A9/ R16RMH57AR	570	1	2016-		0.8	MR7F	95897			
Ranger 570 Crew EFI		570	1	2014-2015		0.8	MR7F	95897			
Ranger 570 Crew Full-Size	R16RVA57A1/ R16RVA57B1/ R16RVE57A9/ R16RVE57B9	570	1	2016-		0.8	MR7F	95897			
Ranger 570 EFI	R14RH57AA/ R14RH57AC/ R14RH57AR/ R14RH6EAZ	570	1	2014-2014		0.8	MR7F	95897			
Ranger 570 EFI Crew	R15RNA57AA/ R15RNA57AC/ R15RNA57AR/ R15RNE57AS	570	1	2014-2014		0.6	CPR8E	7411			
Ranger 570 EFI Crew	R16RNA57A1/ R16RNA57A9/ R16RNA57A4/ R16RNA5EAH	570	1	2016-		0.8	MR7F	95897			
Ranger 570 EFI Crew Full-Size	R15RUA57AA/ R15RUE57AC	570	1	2015-		0.8	MR7F	95897			
Ranger 570 EU	R16RMA57F1/ R16RMA57N1/ R16RMA5EFH/ R16RMA5SF1/ R16RMA52N1	570	1	2016-		0.8	MR7F	95897			
Ranger 570 Full-Size	R15RTA57AA/ R15RTA57AR/ R15RTA57AC/ R15RTA5EAU	570	1	2015-2016		0.8	MR7F	95897			
Ranger 570 Full-Size	R16RTA57A1/ R16RTA57A4/ R16RTA57A9/ R16RTA57B1/ R16RTA57B4/ R16RTA57B9/ R16RTA5EAP/ R16RTA5EBP	570	1	2016-		0.8	MR7F	95897			
Ranger 570 INTL	R14RH57FX	570	1	2014-		0.8	MR7F	95897			
RZR 570	Z14VH57AD/ Z14VH5EAI/ Z14VH5EAW / Z15VHA57AJ/ Z15VE57AS/ Z15VE57AK / Z16VHA57A2/ Z16VHA5EAK/ Z16VHA57AS	570	1	2014-2016		0.8	MR7F	95897			
RZR 570 EFI	R12VH57AD	570	1	2012-2014		0.8	MR7F	95897			
RZR 570 EFI INTL	R12VH57FX	570	1	2012-2013		0.6	CPR8E	7411			
RZR 570 EFI INTL	R12VH57FX	570	1	2012-2013		0.8	MR7F	95897			
RZR 570 EU	Z15VHA57FJ	570	1	2015-		0.8	MR7F	95897			

* Bitte Elektrodenabstand nach Angaben des Herstellers justieren

* Please adjust the ground electrode gap

* Veuillez vérifier l'écartement

* Por favor, ajustar la distancia entre los electrodos

* Regolare il gap

* Iridium IX Spark Plug is the standard recommendation





Stock No.

Quick No.

Upgrade ↑

Stock No. ↑

POLARIS

Ranger TM	A04RB63AA	653	2	2004-2004		0.7	BPR4EY	2128			
Ranger 700 4x4 EFI	R07RH68AD/ R07RH68AG/ R07RH68AH/ R07RH68AK/ R07RH68AL/ R07RH68AO/ R07RH68AP/ R07RH68AW	700	2	2007-2007		0.7	BKR7E	6097		BKR7EIX	2667
Ranger 700 4x4 EFI	R08RH68	700	2	2008-2008		0.7	BKR7E	6097		BKR7EIX	2667
Ranger 700 4x4 EFI	R09HH68	700	2	2009-2009		0.7	BKR7E	6097		BKR7EIX	2667
Ranger 700 4x4 EFI Crew	R08WH68AG/ R08WH68AH/ R08WH68AK/ R08WH68AR	700	2	2008-2008		0.7	BKR7E	6097		BKR7EIX	2667
Ranger 700 4x4 EFI Crew	R09WH68AC/ R09WH68AG/ R09WH68AH/ R09WH68AL/ R09WH68AR/ R09WH68AZ	700	2	2009-2009		0.7	BKR7E	6097		BKR7EIX	2667
Ranger 700 4x4 LE	R07RH68AD/ R07RH68AG/ R07RH68AH/ R07RH68AK/ R07RH68AL/ R07RH68AO/ R07RH68AP/ R07RH68AW	700	2	2007-2007		0.7	BKR7E	6097		BKR7EIX	2667
Ranger 700 4x4 XP	R08RH68	700	2	2008-2008		0.7	BKR7E	6097		BKR7EIX	2667
Ranger 700 6x6 EFI	R06RF68AA / R08RF68AD/ R08RF68AF/ R08RF68AZ	700	2	2006-2008		0.7	BKR7E	6097		BKR7EIX	2667
Ranger 700 6x6 EFI	R09RF68AF/ R09RF68AR/ R09RF68AZ	700	2	2009-2009		0.7	BKR7E	6097		BKR7EIX	2667
Ranger 700 XP	R05RD68AA	700	2	2005-2005		0.7	BKR7E	6097		BKR7EIX	2667
Ranger 700 XP 4x4	R06RD68AA	700	2	2006-2006		0.7	BKR7E	6097		BKR7EIX	2667
800 SDi All Options		800	2	2012-		0.7	GR9A-EG	94841			
Ranger 800	R14TH76AA/ R14TH76AC/ R14TH7EAS/ R14TH7AAC/ R14TH7ACC/ R14TH7EASC	800	2	2014-2014		0.7	BKR7E	6097		BKR7EIX	2667
Ranger 800 4x4 EFI	R10WH76AG/ R10WH76AH/ R10WH76AR/ R10WH76AV/ R10WY76AW/ R10WY76AZ	800	2	2010-2010		0.7	BKR7E	6097		BKR7EIX	2667
Ranger 800 4x4 EFI	R11TH76/ R11TY76	800	2	2011-2011		0.7	BKR7E	6097		BKR7EIX	2667
Ranger 800 4x4 EFI Crew		800	2	2010-2010		0.7	BKR7E	6097		BKR7EIX	2667
Ranger 800 4x4 EFI Crew	R11WH76AG/ R11WH76AR/ R11WY76AE/ R11WY76AH/ R11WY76AJ	800	2	2011-2014		0.7	BKR7E	6097		BKR7EIX	2667
Ranger 800 6x6 EFI	R11HR76AG/ R11HR76AR	800	2	2011-2014		0.7	BKR7E	6097		BKR7EIX	2667
Ranger 800 EFI - Black		800	2	2012-		0.7	BKR7E	6097		BKR7EIX	2667
Ranger 800 EFI - Indy red	R12VH76AB/ R12VH76AD/ R12VH76AF/ R12VH76AH/ R12VH76AJ/ R12VH76AM/ R12VH7EAB/ R12VH7EAS	800	2	2012-		0.7	BKR7E	6097		BKR7EIX	2667

*Bitte Elektrodenabstand nach Angaben des Herstellers justieren

*Please adjust the ground electrode gap

*Veuillez vérifier l'écartement

* Por favor, ajustar la distancia entre los electrodos

*Regolare il gap

** Iridium IX Spark Plug is the standard recommendation





Stock No.

Quick No.

Upgrade ↑

Stock No. ↑

POLARIS

Ranger 800 EFI Mid-Size	R13RH76AG/ R13RH76AH/ R13RH76AN/ R14RH76AA/ R14RH76AC/ R14RH76AZ	800	2	2013-2014		0.7	BKR7E	6097	BKR7EIX	2667
Ranger 800 EFI - Vogue silver	R12VH76AB/ R12VH76AD/ R12VH76AF/ R12VH76AH/ R12VH76AI/ R12VH76AJ/ R12VH76AM/ R12VH76EAB/ R12VH76EAS	800	2	2012-		0.7	BKR7E	6097	BKR7EIX	2667
Ranger 800 EFI - White Lightning		800	2	2012-		0.7	BKR7E	6097	BKR7EIX	2667
Ranger 800 XP	R12TH76/ R12TH7E/ R12TX7E	800	2	2012-2012		0.7	BKR7E	6097	BKR7EIX	2667
RZR 4 800 EFI	R10XH76AA	800	2	2010-2010		0.7	BKR7E	6097	BKR7EIX	2667
RZR 4 800 EFI	R12XE76AD/ R12XE76AB/ R12XE76AO	800	2	2012-2014		0.7	BKR7E	6097	BKR7EIX	2667
RZR 4 800 EFI EPS INTL	R12XE76FX	800	2	2012-		0.7	BKR7E	6097	BKR7EIX	2667
RZR 4 800 EFI EPS INTL	R12XE76FX	800	2	2012-2012		0.7	BKR7E	6097	BKR7EIX	2667
RZR 4 800 EPS RGE	R11XH76AW/ R11XH76AZ/ R11XY76AA	800	2	2011-2011		0.7	BKR7E	6097	BKR7EIX	2667
RZR 4 800 INTL	RZR 4	800	2	2011-2011		0.7	BKR7E	6097	BKR7EIX	2667
RZR 800 EFI	R08VH76AD/ R08VH76AG	800	2	2008-2008		0.7	BKR7E	6097	BKR7EIX	2667
RZR 800 EFI	R09VH76	800	2	2009-2010		0.7	BKR7E	6097	BKR7EIX	2667
RZR 800 EFI		800	2	2011-2011		0.7	BKR7E	6097	BKR7EIX	2667
RZR 800 EFI	R12VH76AB/ R12VH76AD/ R12VH76AF/ R12VH76AH/ R12VH76AI/ R12VH76AJ/ R12VH76AM/ R12VH76EAB/ R12VH76EAS	800	2	2012-2014		0.7	BKR7E	6097	BKR7EIX	2667
RZR 800 EPS	R12VH76AB/ R12VH76AD/ R12VH76AF/ R12VH76AH/ R12VH76AI/ R12VH76AJ/ R12VH76AM/ R12VH76EAB/ R12VH76EAS	800	2	2012-2014		0.7	BKR7E	6097	BKR7EIX	2667
RZR S 800 EFI	R09VH76AX	800	2	2009-2010		0.7	BKR7E	6097	BKR7EIX	2667
RZR S 800 EFI	R11VE76AC/ R11VE76AD/ R11VE76AT/ R11VE76AW/ R11VE76AZ	800	2	2011-2011		0.7	BKR7E	6097	BKR7EIX	2667
RZR S 800 EFI	R12VE76AB/ R12VE76AD/ R12VE76AE/ R12VE76AJ/ R12VE76AO	800	2	2012-2013		0.7	BKR7E	6097	BKR7EIX	2667
RZR S 800 EFI INTL	RZR S	800	2	2009-2010		0.7	BKR7E	6097	BKR7EIX	2667
RZR S 800 EPS INTL	RZR S	800	2	2011-2011		0.7	BKR7E	6097	BKR7EIX	2667
Ranger 900 Crew All Options	R14WH88A/ R14WH9EA	900	2	2014-2014		0.8	MR7F	95897		
Ranger 900 XP All Options	R13UH88/ R13UH9E	900	2	2013-2016		0.8	MR7F	95897		
Ranger 900 XP EU	R15RTE87FA	900	2	2015-2016		0.8	MR7F	95897		
RZR 4 900	Z14XT9EAO	900	2	2014-2016		0.8	MR7F	95897		
RZR 4 900 XP	R12XT87AA/ R12XT9EAS	900	2	2012-2012		0.8	MR7F	95897		

*Bitte Elektrodenabstand nach Angaben des Herstellers justieren

*Please adjust the ground electrode gap

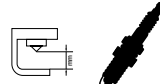
*Veuillez vérifier l'écartement

* Por favor, ajustar la distancia entre los electrodos

*Regolare il gap

* Iridium IX Spark Plug is the standard recommendation





Stock No.

Quick No.

Upgrade ↑

Stock No. ↑

POLARIS

RZR 4 900 XP Jagged X	R13XT9EAL	900	2	2013-2013		0.8	MR7F	95897			
RZR 4 900 XP PS INTL	R13XT9EFX	900	2	2013-		0.8	MR7F	95897			
RZR 900 50/55 INCH All Options	Z15VAA87/ Z15VAE87/ Z15VAX87	900	2	2015-2016		0.8	MR7F	95897			
RZR 900 60 Inch All Options	Z15VBA87AJ/ Z15VBA87LJ// Z15VBE87AK/ Z15VBE87AM/ Z15VBE87AT/ Z15VBE87LT/ Z15VBE87AL/ Z15VBE87AV	900	2	2015-2016		0.8	MR7F	95897			
RZR 900 60 Inch PS EU	Z15VBE87FK	900	2	2015-2016		0.8	MR7F	95897			
RZR 900 60 Inch PS INTL	Z15VBE87FK/ Z15VBE87KJ	900	2	2015-		0.8	MR7F	95897			
RZR 900 XP 4 EFI	R13XT87AA/ R13XT9EAK	900	2	2013-		0.8	MR7F	95897			
RZR 900 XP EFI	RZR	900	2	2012-2013		0.8	MR7F	95897			
RZR 900 XP EPS INTL	R13JT9EFX	900	2	2013-		0.8	MR7F	95897			
RZR XP 4 Turbo		925	2	2016-2016		0.8	MR8F	90299			
RZR XP 4 Turbo		925	2	2017-2017	168hp	0.8	MR9F	95424			
RZR XP 4 Turbo S		925	2	2019-2019	168hp	0.8	MR9F	95424			
RZR XP 4 Turbo S Velocity		925	2	2019-2019	168hp	0.8	MR9F	95424			
RZR XP 4 Turbo Tractor		925	2	2017-2017		0.8	MR8F	90299			
RZR XP Turbo		925	2	2016-2016		0.8	MR8F	90299			
RZR XP TURBO		925	2	2017-2017	168hp	0.8	MR9F	95424			
RZR XP TURBO S		925	2	2018-2018	168hp	0.8	MR9F	95424			
RZR XP TURBO S Velocity		925	2	2019-2019	168hp	0.8	MR9F	95424			
RZR XP Turbo Tractor		925	2	2017-2017		0.8	MR8F	90299			
RZR 1000 60 INCH All Options	RZR	1000	2	2015-		0.8	MR7F	95897			
RZR XP 1000	Z15VDE99AT/ Z15VDE99AL/ Z15VDE99AV/ Z15VDE99AW/ Z15VDE99LP/ Z15VDE99EW/ Z15VDE99AO/ Z15VDE99AP/ Z15VDE99AZ/ Z15VDK99AA/ Z15VDK99AU	1000	2	2014-		0.8	MR7F	95897			
RZR XP 1000 INTL	Z15VDE99FV	1000	2	2015-		0.8	MR7F	95897			
RZR XP4 1000	Z15VFE99AT/ Z15VFE99AV/ Z15VFE99AP	1000	2	2015-2016		0.8	MR7F	95897			

YAMAHA

G1A Golf Kart			1	1979-		0.7	BP5HS	4111			
G1A Utility			1	1979-		0.7	BP5HS	4111			
G23A Golf Kart			1	2003-2005		0.7	BPR2ES	2264			
G23A Utility			1	2003-2005		0.7	BPR2ES	2264			
G27A U-Max Golf Kart			1	2004-2006		0.7	BPR2ES	2264			
G27A U-Max Utility			1	2004-2006		0.7	BPR2ES	2264			
G29A				2010-		0.7	BPR2ES	2264			
G2A Golf Kart			1	1985-		0.8	BR4ES	1097			
G2A Utility			1	1985-		0.8	BR4ES	1097			
G3A Golf Kart			1	1986-		0.7	BP5HS	4111			
G3A Utility			1	1986-		0.7	BP5HS	4111			
G5A Golf Kart			1	1985-		0.8	BR4ES	1097			

*Bitte Elektrodenabstand nach Angaben des Herstellers justieren

*Please adjust the ground electrode gap

*Veuillez vérifier l'écartement

* Por favor, ajustar la distancia entre los electrodos

*Regolare il gap

** Iridium IX Spark Plug is the standard recommendation





Stock No.

Quick No.

Upgrade ↑

Stock No. ↑

YAMAHA

G5A Utility			1	1985-		0.8	BR4ES	1097			
G8A Golf Kart			1	1985-		0.8	BR4ES	1097			
G8A Utility			1	1985-		0.8	BR4ES	1097			
G9A Golf Kart			1	1985-		0.8	BR4ES	1097			
G9A Utility			1	1985-		0.8	BR4ES	1097			
YDR-A (The DRIVE)			1	2007-		0.7	BPR2ES	2264			
YFM 600 FWA Grizzly			1	1998-2001		0.9	DPR8EA-9	4929	Q221	DPR8EIX-9	2202
YFM 660 FWA Grizzly			1	2002-		0.9	DPR8EA-9	4929	Q221	DPR8EIX-9	2202
YFM 700 FWAD Grizzly Fi			1	2009-	10mm Thread Size / 26,5mm Thread Reach	0.9	LMAR6A-9	5946			
YFM 700 Grizzly Fi			1	2007-2008	10mm Thread Size / 19mm Thread Reach	0.9	CPR7EA-9	3901		CPR7EAIX-9	9198
YFM 700 R Raptor			1	2006-2007		0.6	CR8E	4854	Q226	CR8EIX	4218
YXM 700 PE Viking			1	2014-		0.9	CPR7EA-9	3901		CPR7EAIX-9	9198
YXR 700 FX Rhino Fi			1	2008-		0.9	CPR7EA-9	3901		CPR7EAIX-9	9198
YFM 450 4x4 Grizzly EPS Blue Max	YFM45	450	1	2011-		*	DR8EA	7162		DR8EIX	6681
YXR Rhino 450	YXR45FAVGR	450	1	2006-		0.7	DR8EA	7162		DR8EIX	6681
YFM 550 4x4 Grizzly EPS Racing Blue	YFM55	550	1	2011-		*	LMAR6A-9	5946			
YFM 660 R Raptor		660	1	2001-2005		0.9	DPR8EA-9	4929	Q221	DPR8EIX-9	2202
YXR Rhino 660	YXR660FAS	660	1	2004-		0.9	DPR8EA-9	4929	Q221	DPR8EIX-9	2202
YXP Pro Hauler 700 2WD	YXP700AS	700	1	2004-2007		0.8	BPR4ES	7222			
YXP Pro Hauler 700 2WD	YXP700AS	700	1	2004-2007		0.8	BPR2ES	2264			
YXR Rhino 700 FI	YXR70FXGR	700	1	2008-		0.9	CPR7EA-9	3901		CPR7EAIX-9	9198
YXR Rhino 700 FI Hunter	YXR70FHX	700	1	2008-		0.9	CPR7EA-9	3901		CPR7EAIX-9	9198
RTV 900	DIESEL	900	1	2004-	11V		YE01	2649			
YXP Pro Hauler 1000	YXP1000AS	1000	1	2004-2006		0.8	BPR4ES	7222			
YXP Pro Hauler 1000	YXP1000AS	1000	1	2004-2006		0.8	BPR2ES	2264			

* Bitte Elektrodenabstand nach Angaben des Herstellers justieren

* Please adjust the ground electrode gap

* Veuillez vérifier l'écartement

* Por favor, ajustar la distancia entre los electrodos

* Regolare il gap

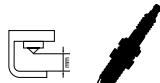
* Iridium IX Spark Plug is the standard recommendation







IGNITION
PARTS



Stock No.

Quick No.

Upgrade ↑

Stock No. ↑

AKTIV

A 600				-		0.5	B9ES	2611	Q202	BR9EIX	3981
Grizzly				-		0.5	B9ES	2611	Q202	BR9EIX	3981
SC3 Gul		160		-		0.5	BPM7A	7321			
Karibo		277		-	ROTAX Engine 277	0.8	B8ES	2411	Q201	BR8EIX	5044
A600		290		-		0.5	AB-7	3010			
Grizzly		432		-		0.5	B9ES	2611	Q202	BR9EIX	3981
Panther		432		-		0.5	B9ES	2611	Q202	BR9EIX	3981
A600		440		-	ROTAX Engine 440	0.5	AB-8	7909			
Grizzly		440		-		0.5	B9ES	2611	Q202	BR9EIX	3981
Alaska		503		-		0.8	B8ES	2411	Q201	BR8EIX	5044
Alaska XT		503		-		0.8	B8ES	2411	Q201	BR8EIX	5044
Grizzly		503		-	ROTAX Engine 503 US	0.5	B7ES	1111		BR7EIX	6664
Grizzly SE		503		-	ROTAX Engine 503 SCA	0.8	B8ES	2411	Q201	BR8EIX	5044
Grizzly XP		503		-	ROTAX Engine 503 US	0.8	B8ES	2411	Q201	BR8EIX	5044
Panther		503		-	ROTAX Engine 503 SCA	0.5	B7ES	1111		BR7EIX	6664
Panther		503		-		0.8	B8ES	2411	Q201	BR8EIX	5044

ARCTCO

AA06A1		60		-	SUZUKI	0.6	BR6HS	4200		BR6HIX	3419
AA06A2		60		-	SUZUKI	0.5	BR6HS	4200		BR6HIX	3419
AA06A3		60		-	SUZUKI	0.5	BR6HS	4200		BR6HIX	3419
AA06A4		60		-	SUZUKI	0.5	BR6HS	4200		BR6HIX	3419
AA06A5		60		-	SUZUKI	0.5	BR6HS	4200		BR6HIX	3419
AA06A7		60		-	SUZUKI	0.5	BR6HS	4200		BR6HIX	3419
AA06A9		60		-	SUZUKI	0.6	BR6HS	4200		BR6HIX	3419
AO06A1		60		-	SUZUKI	0.7	BR6HS	4200		BR6HIX	3419
AO06A2		60		-	SUZUKI	0.8	BR6HS	4200		BR6HIX	3419
AO06A3		60		-	SUZUKI	0.8	BR6HS	4200		BR6HIX	3419
AO06A4		60		-	SUZUKI	0.8	BR6HS	4200		BR6HIX	3419
AO06A5		60		-	SUZUKI	0.8	BR6HS	4200		BR6HIX	3419
AO06A8		60		-	SUZUKI	0.8	BR6HS	4200		BR6HIX	3419
T5B060S		60		-	KAWASAKI	0.7	BR6HS	4200		BR6HIX	3419
T1D250F1		245		-	KAWASAKI	0.7	BR8ES	5422	Q207	BR8EIX	5044
AA25L2		250		-	SUZUKI	*	BR10EIX**	6801			
AB25F1		250		-	SUZUKI	0.6	BR8ES	5422	Q207	BR8EIX	5044
AB25F3		250		-	SUZUKI	0.5	BR9ES	5722		BR9EIX	3981
AB25F4		250		-	SUZUKI	0.5	BR8ES	5422	Q207	BR8EIX	5044
AA28F1		275		-	SUZUKI	0.6	BR8ES	5422	Q207	BR8EIX	5044
AA28F2		275		-	SUZUKI	0.6	BR8ES	5422	Q207	BR8EIX	5044
AA28F3		275		-	SUZUKI	0.5	BR8ES	5422	Q207	BR8EIX	5044
AA28F4		275		-	SUZUKI	0.5	BR8ES	5422	Q207	BR8EIX	5044
AA28F5		275		-	SUZUKI	0.5	BR8ES	5422	Q207	BR8EIX	5044
KT150A		292	1	1971-	KAWASAKI	0.7	AB-8	7909			
KT150B		292	1	1971-	KAWASAKI		AB-8	7909			
T4B292S		292		-	KAWASAKI	0.7	B9HS	5810		BR9HIX	5687
T4C292S1A		292		-	KAWASAKI	0.7	BR9HS	4522		BR9HIX	5687
AF34A7		339		-	SUZUKI	0.7	BR8ES	5422	Q207	BR8EIX	5044
AF34A8		339		-	SUZUKI	0.8	BR8ES	5422	Q207	BR8EIX	5044
AF34A9		339		-	SUZUKI	0.8	BR8ES	5422	Q207	BR8EIX	5044
AG34A1		339		-	SUZUKI	0.5	BR8ES	5422	Q207	BR8EIX	5044
AG34A3		339		-	SUZUKI	0.6	BR8HS	4915	Q212	BR8HIX	7001

*Bitte Elektrodenabstand nach Angaben des Herstellers justieren

*Please adjust the ground electrode gap

*Veuillez vérifier l'écartement

* Por favor, ajustar la distancia entre los electrodos

*Regolare il gap

** Iridium IX Spark Plug is the standard recommendation





Stock No.

Quick No.

Upgrade ↑

Stock No. ↑

ARCTCO

AG34A3		339		-	SUZUKI	0.8	BR9ES	5722		BR9EIX	3981
AG34A3A		339		-	SUZUKI	0.8	BR9ES	5722		BR9EIX	3981
AG34A5		339		-	SUZUKI	0.8	BR9ES	5722		BR9EIX	3981
AG34A6		339		-	SUZUKI	0.8	BR9ES	5722		BR9EIX	3981
T1A340S1		339	2	-	KAWASAKI	0.7	B8ES	2411	Q201	BR8EIX	5044
T1B340S		339	2	-	KAWASAKI	0.7	B8ES	2411	Q201	BR8EIX	5044
T1C340S1A		339		-	KAWASAKI	0.7	B8ES	2411	Q201	BR8EIX	5044
T1C340S2A		339		-	KAWASAKI	0.7	B8ES	2411	Q201	BR8EIX	5044
T1D340A2A		339		-	KAWASAKI	0.7	B8ES	2411	Q201	BR8EIX	5044
T1D340F1		339		-	KAWASAKI	0.7	BR8ES	5422	Q207	BR8EIX	5044
340 Mod.Kit		340		-	SUZUKI	0.5	B10EG	3630			
AA34F1		340		-	SUZUKI	0.6	BR8ES	5422	Q207	BR8EIX	5044
AA34F2		340		-	SUZUKI	0.6	BR8ES	5422	Q207	BR8EIX	5044
AA34F3		340		-	SUZUKI	0.5	BR8ES	5422	Q207	BR8EIX	5044
AA34F4		340		-	SUZUKI	0.5	BR8ES	5422	Q207	BR8EIX	5044
AA34F5		340		-	SUZUKI	0.5	BR8ES	5422	Q207	BR8EIX	5044
AB34F1		340		-	SUZUKI	0.6	BR9ES	5722		BR9EIX	3981
AC34L2		340		-	SUZUKI	0.5	B10EG	3630			
AD34L1		340		-	SUZUKI	0.5	B10EG	3630			
AE34L2		340		-	SUZUKI	0.5	BR9ES	5722		BR9EIX	3981
AF34A1		340		-	SUZUKI	0.5	BR8ES	5422	Q207	BR8EIX	5044
Sno Pro 340		340		-	SUZUKI	0.5	B10EG	3630			
T1A400S1		398	2	-	KAWASAKI	0.7	B8ES	2411	Q201	BR8EIX	5044
T1B400S		398	2	-	KAWASAKI	0.7	B8ES	2411	Q201	BR8EIX	5044
AG44A9		431		-	SUZUKI	0.7	BR9ES	5722		BR9EIX	3981
AJ44L1		431		-	SUZUKI	0.8	BR9ES	5722		BR9EIX	3981
AJ44L2		431		-	SUZUKI	0.8	BR9ES	5722		BR9EIX	3981
AJ44L3		431		-	SUZUKI	0.8	BR9ES	5722		BR9EIX	3981
AK44A1		431		-	SUZUKI	0.8	BR9ES	5722		BR9EIX	3981
AK44A7		431		-	SUZUKI	0.8	BR9ES	5722		BR9EIX	3981
AK44A8		431		-	SUZUKI	0.8	BR9ES	5722		BR9EIX	3981
AH44A9		436		-	SUZUKI	0.7	BR9ES	5722		BR9EIX	3981
AH44L6		436		-	SUZUKI	0.8	BR9ES	5722		BR9EIX	3981
AJ44L4		436		-	SUZUKI	0.8	BR9ES	5722		BR9EIX	3981
AJ44L5		436		-	SUZUKI	0.8	BR9ES	5722		BR9EIX	3981
AK44A1A		436		-	SUZUKI	0.8	BR9ES	5722		BR9EIX	3981
AK44A2		436		-	SUZUKI	0.8	BR9ES	5722		BR9EIX	3981
AK44A2A		436		-	SUZUKI	0.8	BR9ES	5722		BR9EIX	3981
AK44A3		436		-	SUZUKI	0.8	BR9ES	5722		BR9EIX	3981
AK44A3A		436		-	SUZUKI	0.8	BR9ES	5722		BR9EIX	3981
AK44A4		436		-	SUZUKI	0.8	BR9ES	5722		BR9EIX	3981
AK44A4A		436		-	SUZUKI	0.8	BR9ES	5722		BR9EIX	3981
AK44A4B		436		-	SUZUKI	0.8	BR9ES	5722		BR9EIX	3981
AK44A5		436		-	SUZUKI	0.8	BR9ES	5722		BR9EIX	3981
AK44A5A		436		-	SUZUKI	0.8	BR9ES	5722		BR9EIX	3981
AK44A5B		436		-	SUZUKI	0.8	BR9ES	5722		BR9EIX	3981
AL44L1		436		-	SUZUKI	0.8	BR9ES	5722		BR9EIX	3981
AL44L2		436		-	SUZUKI	0.8	BR9ES	5722		BR9EIX	3981
AL44L3		436		-	SUZUKI	0.8	BR9ES	5722		BR9EIX	3981
AL44L5		436		-	SUZUKI	0.8	BR9ES	5722		BR9EIX	3981
AM44L1		436		-	SUZUKI	0.8	BR9ES	5722		BR9EIX	3981
AM44L2		436		-	SUZUKI	0.8	BR9ES	5722		BR9EIX	3981

* Bitte Elektrodenabstand nach Angaben des Herstellers justieren

* Please adjust the ground electrode gap

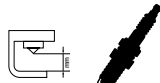
* Veuillez vérifier l'écartement

* Por favor, ajustar la distancia entre los electrodos

* Regolare il gap

* Iridium IX Spark Plug is the standard recommendation





Stock No.

Quick No.

Upgrade ↑

Stock No. ↑

ARCTCO

AN44L1		436		-	SUZUKI	0.8	BR9ES	5722		BR9EIX	3981
AR44L1		436		-	SUZUKI	0.8	BR9ES	5722		BR9EIX	3981
T1A440S1		436	2	-	KAWASAKI	0.7	B8ES	2411	Q201	BR8EIX	5044
T1B440D1A		436	2	-	KAWASAKI	*	BUE	2322			
T1B440S		436	2	-	KAWASAKI	0.7	B8ES	2411	Q201	BR8EIX	5044
T1C440S1A		436		-	KAWASAKI	0.7	B8ES	2411	Q201	BR8EIX	5044
T1C440S2A		436		-	KAWASAKI	0.7	B8ES	2411	Q201	BR8EIX	5044
T1D440A2A		436		-	KAWASAKI	0.7	B8ES	2411	Q201	BR8EIX	5044
AR44L1		438		-	SUZUKI	0.8	BR9ES	5722		BR9EIX	3981
AB44F1		440		-	SUZUKI	0.5	BR8ES	5422	Q207	BR8EIX	5044
AB44F2		440		-	SUZUKI	0.6	BR9ES	5722		BR9EIX	3981
AC44A1		440		-	SUZUKI	0.6	BR8ES	5422	Q207	BR8EIX	5044
AC44A2		440		-	SUZUKI	0.5	BR8ES	5422	Q207	BR8EIX	5044
AC44A3		440		-	SUZUKI	0.5	BR9ES	5722		BR9EIX	3981
AD44L1		440		-	SUZUKI	0.6	BR9ES	5722		BR9EIX	3981
AE44L2		440		-	SUZUKI	0.5	B10EG	3630			
AF44L1		440		-	SUZUKI	0.5	BR9ES	5722		BR9EIX	3981
AF44L2		440		-	SUZUKI	0.5	BR9ES	5722		BR9EIX	3981
AF44L3		440		-	SUZUKI	0.5	BR9ES	5722		BR9EIX	3981
AG44A1		440		-	SUZUKI	0.5	BR9ES	5722		BR9EIX	3981
AG44A2		440		-	SUZUKI	0.5	BR9ES	5722		BR9EIX	3981
Sno Pro 440		440		-	70hp	0.5	B10EG	3630			
AB50A1		500		-	SUZUKI	0.6	BR8ES	5422	Q207	BR8EIX	5044
AB50A2		500		-	SUZUKI	0.6	BR8ES	5422	Q207	BR8EIX	5044
AB50A3		500		-	SUZUKI	0.5	BR9ES	5722		BR9EIX	3981
AB50A4		500		-	SUZUKI	0.5	BR9ES	5722		BR9EIX	3981
AC50F1		500		-	SUZUKI	0.6	BR9ES	5722		BR9EIX	3981
AC50F2		500		-	SUZUKI	0.6	BR9ES	5722		BR9EIX	3981
AD50F1		500		-	SUZUKI	0.6	BR9ES	5722		BR9EIX	3981
AD50F2		500		-	SUZUKI	0.6	BR9ES	5722		BR9EIX	3981
AD50F3		500		-	SUZUKI	0.5	BR9ES	5722		BR9EIX	3981
AD50F4		500		-	SUZUKI	0.5	BR9ES	5722		BR9EIX	3981
AD50F5		500		-	SUZUKI	0.5	BR9ES	5722		BR9EIX	3981
AD50F6		500		-	SUZUKI	*	BR10EIX**	6801			
AE50A1		500		-	SUZUKI	0.6	BR9ES	5722		BR9EIX	3981
AE50A2		500		-	SUZUKI	0.5	BR9ES	5722		BR9EIX	3981
AH50L1		500		-	SUZUKI	0.5	BR9ES	5722		BR9EIX	3981
AH50L2		500		-	SUZUKI	0.5	BR9ES	5722		BR9EIX	3981
AL50A1		500		-	SUZUKI	0.5	BR9ES	5722		BR9EIX	3981
AL50A2		500		-	SUZUKI	0.5	BR9ES	5722		BR9EIX	3981
AL50A7		500		-	SUZUKI	0.7	BR9ES	5722		BR9EIX	3981
AM50A4		500		-	SUZUKI	0.7	BR9ES	5722		BR9EIX	3981
AM50A5		500		-	SUZUKI	0.8	BR9ES	5722		BR9EIX	3981
AA53L3		529		-	SUZUKI	*	BR10EIX**	6801			
AA53L4		529		-	SUZUKI	0.8	BR9ES	5722		BR9EIX	3981
AB53L5		529		-	SUZUKI	0.8	BR9ES	5722		BR9EIX	3981
AB53L6		529		-	SUZUKI	0.8	BR9ES	5722		BR9EIX	3981
AA55L1		550		-	SUZUKI	0.8	BR9ES	5722		BR9EIX	3981
AA55L2		550		-	SUZUKI	0.8	BR9ES	5722		BR9EIX	3981
AA55L3		550		-	SUZUKI	0.8	BR9ES	5722		BR9EIX	3981
AA55L5		550		-	SUZUKI	0.8	BR9ES	5722		BR9EIX	3981
AA55L6		550		-	SUZUKI	0.8	BR9ES	5722		BR9EIX	3981

*Bitte Elektrodenabstand nach Angaben des Herstellers justieren

*Please adjust the ground electrode gap

*Veuillez vérifier l'écartement

* Por favor, ajustar la distancia entre los electrodos

*Regolare il gap

** Iridium IX Spark Plug is the standard recommendation





Stock No.

Quick No.

Upgrade ↑

Stock No. ↑

ARCTCO

AB55L1		550	-	SUZUKI	0.8	BR9ES	5722		BR9EIX	3981
AB55L2		550	-	SUZUKI	0.8	BR9ES	5722		BR9EIX	3981
AA58L2		580	-	SUZUKI	0.8	BR9ES	5722		BR9EIX	3981
AB58L3		580	-	SUZUKI	0.8	BR9ES	5722		BR9EIX	3981
AB58L4		580	-	SUZUKI	0.8	BR9ES	5722		BR9EIX	3981
AC58L5		580	-	SUZUKI	0.8	BR9ES	5722		BR9EIX	3981
AA60L2		594	-	SUZUKI	0.8	BR9ES	5722		BR9EIX	3981
AA65L1		650	-	SUZUKI	*	BR10EIX**	6801			
AA65L2		650	-	SUZUKI	*	BR9EIX**	3981			
AA65L3		650	-	SUZUKI	0.8	BR9ES	5722		BR9EIX	3981
AA70L5		700	-	SUZUKI	0.8	BR9ES	5722		BR9EIX	3981
AA70L6		700	-	SUZUKI	0.8	BR9ES	5722		BR9EIX	3981
AB70L1		700	-	SUZUKI	0.8	BR9ES	5722		BR9EIX	3981
AB70L2		700	-	SUZUKI	0.8	BR9ES	5722		BR9EIX	3981
AB70L3		700	-	SUZUKI	0.8	BR9ES	5722		BR9EIX	3981
AC70L1		700	-	SUZUKI	0.8	BR9ES	5722		BR9EIX	3981
AC70L2		700	-	SUZUKI	0.8	BR9ES	5722		BR9EIX	3981
AC70L3		700	-	SUZUKI	0.8	BR9ES	5722		BR9EIX	3981
AA80L1		794	-	SUZUKI	0.8	BR9ES	5722		BR9EIX	3981
AA80L2		794	-	SUZUKI	0.8	BR9ES	5722		BR9EIX	3981
AA90L1		896	-	SUZUKI	0.8	BR9ES	5722		BR9EIX	3981
AA90L4		896	-	SUZUKI	0.8	BR9ES	5722		BR9EIX	3981

ARCTIC CAT

Kitty Cat 60		60	1	1977-		0.7	BR6HS	4200		BR6HIX	3419
Kitty Cat 60		60	1	1985-1991		0.7	BR6HS	4200		BR6HIX	3419
Kitty Cat 60		60	1	1992-1999		0.7	BR6HS	4200		BR6HIX	3419
AC 120 SnoPro	AC	120	1	2007-2009		0.9	BPR6ES	7822		BPR6EIX	6637
AC 120 SnoPro	AC	120	1	2010-2013		0.8	BPR4ES	7222			
F 120	F	120	1	2006-		0.9	BPR6ES	7822		BPR6EIX	6637
Z 120	Z	120	1	2000-2001		0.9	BPR6ES	7822		BPR6EIX	6637
Z 120 Sno-Pro	Z	120	1	2001-		0.9	BPR6ES	7822		BPR6EIX	6637
ZR 120	ZR	120	1	2002-2005		0.9	BPR6ES	7822		BPR6EIX	6637
ZR 120	ZR	120	1	2014-2015		0.8	BPR4ES	7222			
Lynx Single 250		250	2	1979-		0.7	BR9ES	5722		BR9EIX	3981
Lynx Single 250		250	2	1980-		0.7	BR9ES	5722		BR9EIX	3981
Z 250	Z	250	2	1977-		0.8	BR9EIX**	3981			
Z 250 El Tigre	Z	250	2	1975-		0.8	BR9EIX**	3981			
JAG 275	JAG	275	2	1976-		0.8	BR8ES	5422	Q207	BR8EIX	5044
JAG 2000	JAG	280	2	1978-1979		0.8	BR8ES	5422	Q207	BR8EIX	5044
JAG 2000	JAG	280	2	1980-		0.8	BR8ES	5422	Q207	BR8EIX	5044
Lynx Twin 280		280	2	1979-		0.8	BR8ES	5422	Q207	BR8EIX	5044
Lynx Twin 280		280	2	1980-		0.8	BR8ES	5422	Q207	BR8EIX	5044
Bearcat 340		340	2	1995-1997		0.7	BR9ES	5722		BR9EIX	3981
Bearcat 340		340	2	1998-2000		0.7	BR9EYA	7548		BR9EIX	3981
Cheetah 340		340	2	1975-		0.8	B8ES	2411	Q201	BR8EIX	5044
Cheetah 340		340	2	1994-		0.7	BR9ES	5722		BR9EIX	3981
Cross Country Cat 340		340	2	1976-		0.7	BR9ES	5722		BR9EIX	3981
Cross Country Cat 340		340	2	1977-		0.8	BR9EIX**	3981			
El Tigre 340		340	2	1975-		0.8	BR9EIX**	3981			
JAG 3000	JAG	340	2	1978-		0.8	BR8ES	5422	Q207	BR8EIX	5044
JAG 3000 F/A	JAG	340	2	1979-1980		0.8	BR8ES	5422	Q207	BR8EIX	5044
JAG 3000 F/C	JAG	340	2	1979-1980		0.8	BR8ES	5422	Q207	BR8EIX	5044

*Bitte Elektrodenabstand nach Angaben des Herstellers justieren

*Please adjust the ground electrode gap

*Veuillez vérifier l'écartement

* Por favor, ajustar la distancia entre los electrodos

*Regolare il gap

* Iridium IX Spark Plug is the standard recommendation





Stock No.

Quick No.

Upgrade ↑

Stock No. ↑

ARCTIC CAT

JAG 340	JAG	340	2	1975-		0.8	BR8ES	5422	Q207	BR8EIX	5044
JAG 340	JAG	340	2	1976-1977		0.8	BR8ES	5422	Q207	BR8EIX	5044
JAG 340	JAG	340	2	1987-		0.8	BR8ES	5422	Q207	BR8EIX	5044
JAG 340	JAG	340	2	1988-1989		0.8	BR8ES	5422	Q207	BR8EIX	5044
JAG 340	JAG	340	2	1997-		0.7	BR9ES	5722		BR9EIX	3981
JAG 340 Deluxe	JAG	340	2	1988-1989		0.8	BR8ES	5422	Q207	BR8EIX	5044
JAG 340 Deluxe	JAG	340	2	1997-		0.7	BR9ES	5722		BR9EIX	3981
Lynx 340		340	2	1991-1992		0.7	BR9ES	5722		BR9EIX	3981
Lynx 340		340	2	1993-		0.7	BR9ES	5722		BR9EIX	3981
Lynx 340 Deluxe		340	2	1991-1992		0.7	BR9ES	5722		BR9EIX	3981
Lynx 340 Deluxe		340	2	1993-		0.7	BR9ES	5722		BR9EIX	3981
Lynx 340 Mountain Cat		340	2	1992-		0.7	BR9ES	5722		BR9EIX	3981
Lynx 340 Mountain Cat		340	2	1993-		0.7	BR9ES	5722		BR9EIX	3981
Pantera 340		340	2	1975-		0.8	B8ES	2411	Q201	BR8EIX	5044
Panther 340		340	2	1998-2000		0.7	BR9EYA	7548		BR9EIX	3981
Puma 340		340	2	1994-1997		0.7	BR9ES	5722		BR9EIX	3981
Puma 340 2-up		340	2	1994-1997		0.7	BR9ES	5722		BR9EIX	3981
Puma 340 Deluxe		340	2	1994-1997		0.7	BR9ES	5722		BR9EIX	3981
Trail Cat 3000		340	2	1980-		0.8	BR8ES	5422	Q207	BR8EIX	5044
Trail Cat 340		340	2	1979-		0.8	BR8ES	5422	Q207	BR8EIX	5044
Z 340	Z	340	2	1977-		0.8	BR9EIX**	3981			
Z 340 El Tigre	Z	340	2	1975-		0.8	BR9EIX**	3981			
Panther 370		370	2	2001-		0.7	BR9EYA	7548		BR9EIX	3981
Panther 370		370	2	2007-2008		0.7	BR9EYA	7548		BR9EIX	3981
Panther 370 R		370	2	2003-2006		0.7	BR9EYA	7548		BR9EIX	3981
Z 370	Z	370	2	1999-2007		0.7	BR9EYA	7548		BR9EIX	3981
Z 370 ES	Z	370	2	2000-2002		0.7	BR9EYA	7548		BR9EIX	3981
Z 370 ESR	Z	370	2	2003-		0.7	BR9EYA	7548		BR9EIX	3981
Z 370 LX	Z	370	2	2004-2007		0.7	BR9EYA	7548		BR9EIX	3981
ZR 400	ZR	400		1996-		0.7	BR9ES	5722		BR9EIX	3981
AC 440 Sno-Pro	AC	440	2	2003-2006		0.7	BR9EYA	7548		BR9EIX	3981
AC 440 Sno-Pro Modified Race Sled	AC	440	2	2005-2006		0.7	BR9EYA	7548		BR9EIX	3981
Bearcat 440		440	2	1995-1997		0.7	BR9ES	5722		BR9EIX	3981
Bearcat 440		440	2	1998-		0.7	BR9EYA	7548		BR9EIX	3981
Bearcat 440 I		440	2	1999-2000		0.7	BR9EYA	7548		BR9EIX	3981
Bearcat 440 II		440	2	1999-2000		0.7	BR9EYA	7548		BR9EIX	3981
Cheetah 440		440	2	1975-		0.8	B8ES	2411	Q201	BR8EIX	5044
Cheetah 440		440	2	1976-		0.7	BR9ES	5722		BR9EIX	3981
Cheetah 440		440	2	1993-		0.7	BR9ES	5722		BR9EIX	3981
Cheetah 440 1-Speed		440	2	1994-		0.7	BR9ES	5722		BR9EIX	3981
Cheetah 440 2-Speed		440	2	1994-		0.7	BR9ES	5722		BR9EIX	3981
Cheetah 440 Touring		440	2	1988-1990		0.7	BR9ES	5722		BR9EIX	3981
Cheetah 440 Touring		440	2	1991-		0.7	BR9ES	5722		BR9EIX	3981
Cheetah 440 Touring		440	2	1992-		0.7	BR9ES	5722		BR9EIX	3981
Cougar 440		440	2	1991-		0.7	BR9ES	5722		BR9EIX	3981
Cougar 440		440	2	1992-1994		0.7	BR9ES	5722		BR9EIX	3981
Cougar 440 2-Up		440	2	1991-		0.7	BR9ES	5722		BR9EIX	3981
Cougar 440 2-Up		440	2	1992-		0.7	BR9ES	5722		BR9EIX	3981
Cougar 440 Mountain Cat		440	2	1993-1994		0.7	BR9ES	5722		BR9EIX	3981
El Tigre 4000		440	2	1977-		0.8	BR8ES	5422	Q207	BR8EIX	5044
El Tigre 440		440	2	1975-		0.8	BR9EIX**	3981			

*Bitte Elektrodenabstand nach Angaben des Herstellers justieren

*Please adjust the ground electrode gap

*Veuillez vérifier l'écartement

* Por favor, ajustar la distancia entre los electrodos

*Regolare il gap

** Iridium IX Spark Plug is the standard recommendation





Stock No.

Quick No.

Upgrade ↑

Stock No. ↑

ARCTIC CAT

El Tigre 440		440	2	1976-		0.8	BR8ES	5422	Q207	BR8EIX	5044
El Tigre 440 L/C		440	2	1979-		0.7	BR9ES	5722		BR9EIX	3981
El Tigre 5000		440	2	1987-1988		0.7	BR9ES	5722		BR9EIX	3981
El Tigre 6000 L/C		440	2	1978-		0.7	BR9ES	5722		BR9EIX	3981
JAG 440	JAG	440	2	1981-		0.7	BR9ES	5722		BR9EIX	3981
JAG 440	JAG	440	2	1985-1987		0.7	BR9ES	5722		BR9EIX	3981
JAG 440	JAG	440	2	1988-		0.8	BR8ES	5422	Q207	BR8EIX	5044
JAG 440	JAG	440	2	1990-		0.8	BR8ES	5422	Q207	BR8EIX	5044
JAG 440	JAG	440	2	1991-1996		0.7	BR9ES	5722		BR9EIX	3981
JAG 440	JAG	440	2	1998-1999		0.7	BR9EYA	7548		BR9EIX	3981
JAG 440 AFS	JAG	440	2	1989-1990		0.7	BR9ES	5722		BR9EIX	3981
JAG 440 AFS	JAG	440	2	1991-		0.7	BR9ES	5722		BR9EIX	3981
JAG 440 AFS Deluxe	JAG	440	2	1990-		0.7	BR9ES	5722		BR9EIX	3981
JAG 440 AFS Deluxe	JAG	440	2	1991-		0.7	BR9ES	5722		BR9EIX	3981
JAG 440 AFS Long Track	JAG	440	2	1990-		0.7	BR9ES	5722		BR9EIX	3981
JAG 440 AFS Long Track	JAG	440	2	1991-		0.7	BR9ES	5722		BR9EIX	3981
JAG 440 AFS LT	JAG	440	2	1991-1993		0.7	BR9ES	5722		BR9EIX	3981
JAG 440 AFS Special	JAG	440	2	1991-		0.7	BR9ES	5722		BR9EIX	3981
JAG 440 DELUXE	JAG	440	2	1990-		0.8	BR8ES	5422	Q207	BR8EIX	5044
JAG 440 DELUXE	JAG	440	2	1991-1996		0.7	BR9ES	5722		BR9EIX	3981
JAG 440 DELUXE	JAG	440	2	1998-1999		0.7	BR9EYA	7548		BR9EIX	3981
JAG 440 Liquid	JAG	440	2	1996-		0.7	BR9ES	5722		BR9EIX	3981
JAG 440 Long Track	JAG	440	2	1981-		0.7	BR9ES	5722		BR9EIX	3981
JAG 440 Mountain Cat	JAG	440	2	1990-1991		0.8	BR8ES	5422	Q207	BR8EIX	5044
JAG 440 Special	JAG	440	2	1991-1992		0.7	BR9ES	5722		BR9EIX	3981
JAG 440 Z	JAG	440	2	1993-1994		0.7	BR9ES	5722		BR9EIX	3981
Pantera 440		440	2	1975-		0.8	B8ES	2411	Q201	BR8EIX	5044
Pantera 440		440	2	1985-1986		0.7	BR9ES	5722		BR9EIX	3981
Pantera 440		440	2	1987-1989		0.7	BR9ES	5722		BR9EIX	3981
Pantera 440		440	2	1990-		0.7	BR9ES	5722		BR9EIX	3981
Pantera 440		440	2	1991-1992		0.7	BR9ES	5722		BR9EIX	3981
Panther 4000		440	2	1977-1978		0.7	BR9ES	5722		BR9EIX	3981
Panther 440		440	2	1975-		0.8	B8ES	2411	Q201	BR8EIX	5044
Panther 440		440	2	1976-		0.8	BR8ES	5422	Q207	BR8EIX	5044
Panther 440		440	2	1980-1981		0.7	BR9ES	5722		BR9EIX	3981
Panther 440		440	2	1984-		0.7	BR9ES	5722		BR9EIX	3981
Panther 440		440	2	1985-		0.7	BR9ES	5722		BR9EIX	3981
Panther 440		440	2	1989-1990		0.7	BR9ES	5722		BR9EIX	3981
Panther 440		440	2	1991-1993		0.7	BR9ES	5722		BR9EIX	3981
Panther 440		440	2	1997-		0.7	BR9ES	5722		BR9EIX	3981
Panther 440		440	2	1998-2002		0.7	BR9EYA	7548		BR9EIX	3981
Panther 440 Deluxe		440	2	1991-1996		0.7	BR9ES	5722		BR9EIX	3981
Panther 440 ESR		440	2	2001-		0.7	BR9EYA	7548		BR9EIX	3981
Panther 440 LC		440	2	1996-		0.7	BR9ES	5722		BR9EIX	3981
Panther 440 Mountain Cat		440	2	1990-		0.7	BR9ES	5722		BR9EIX	3981
Panther 440 Mountain Cat		440	2	1991-		0.7	BR9ES	5722		BR9EIX	3981
Panther 440 Rental		440	2	1995-		0.7	BR9ES	5722		BR9EIX	3981
Panther 440 West		440	2	1981-		0.7	BR9ES	5722		BR9EIX	3981
Prowler 2-Up 440		440	2	1991-1992		0.7	BR9ES	5722		BR9EIX	3981
Prowler 440		440	2	1990-1992		0.7	BR9ES	5722		BR9EIX	3981

* Bitte Elektrodenabstand nach Angaben des Herstellers justieren

* Please adjust the ground electrode gap

* Veuillez vérifier l'écartement

* Por favor, ajustar la distancia entre los electrodos

* Regolare il gap

* Iridium IX Spark Plug is the standard recommendation





Stock No.

Quick No.

Upgrade ↑

Stock No. ↑

ARCTIC CAT

Prowler Mountain Cat 440		440	2	1991-1992		0.7	BR9ES	5722		BR9EIX	3981
Prowler Special 440		440	2	1991-		0.7	BR9ES	5722		BR9EIX	3981
Prowler Special 440		440	2	1992-		0.7	BR9ES	5722		BR9EIX	3981
Super JAG 440	JAG	440	2	1987-		0.7	BR9ES	5722		BR9EIX	3981
Super JAG 440	JAG	440	2	1988-1990		0.7	BR9ES	5722		BR9EIX	3981
Super JAG 440	JAG	440	2	1991-		0.7	BR9ES	5722		BR9EIX	3981
Super JAG 440	JAG	440	2	1992-		0.7	BR9ES	5722		BR9EIX	3981
Trail Cat 4000		440	2	1980-		0.7	BR9ES	5722		BR9EIX	3981
Trail Cat 440		440	2	1981-		0.7	BR9ES	5722		BR9EIX	3981
Z 440	Z	440	2	1976-		0.7	BR9ES	5722		BR9EIX	3981
Z 440	Z	440	2	1977-		0.8	BR9EIX**	3981			
Z 440	Z	440	2	1995-1997		0.7	BR9ES	5722		BR9EIX	3981
Z 440	Z	440	2	1998-2002		0.7	BR9EYA	7548		BR9EIX	3981
Z 440 El Tigre	Z	440	2	1975-		0.8	BR9EIX**	3981			
Z 440 ES	Z	440	2	2000-2002		0.7	BR9EYA	7548		BR9EIX	3981
Z 440 ESR	Z	440	2	2003-		0.7	BR9EYA	7548		BR9EIX	3981
Z 440 LX	Z	440	2	2004-2006		0.7	BR9EYA	7548		BR9EIX	3981
Z 440 Sno-Pro	Z	440	2	2000-2003		0.7	BR9EYA	7548		BR9EIX	3981
ZL 440	ZL	440	2	1996-1997		0.7	BR9ES	5722		BR9EIX	3981
ZL 440	ZL	440	2	1998-2000		0.7	BR9EYA	7548		BR9EIX	3981
ZR 440	ZR	440	2	1993-1997		0.7	BR9ES	5722		BR9EIX	3981
ZR 440	ZR	440	2	1998-		0.7	BR9EYA	7548		BR9EIX	3981
ZR 440 Sno-Pro	ZR	440	2	1998-		0.7	BR9EYA	7548		BR9EIX	3981
ZR 440 Sno-Pro	ZR	440	2	1999-		0.7	BR9EYA	7548		BR9EIX	3981
ZR 440 Sno-Pro	ZR	440	2	2002-2002		0.7	BR9EYA	7548		BR9EIX	3981
ZR 440 Sno-Pro Cross Country	ZR	440	2	2000-2001		0.7	BR9EYA	7548		BR9EIX	3981
ZR 440 Sno-Pro Sno-Cross	ZR	440	2	2000-2001		0.7	BR9EYA	7548		BR9EIX	3981
500 Sno-Pro		500	2	2010-2014		0.7	BR9EYA	7548		BR9EIX	3981
Cheetah 500		500	2	1976-		0.8	BR8ES	5422	Q207	BR8EIX	5044
Cheetah 500		500	2	1977-1978		0.7	BR9ES	5722		BR9EIX	3981
Cheetah 500		500	2	1986-1987		0.7	BR9ES	5722		BR9EIX	3981
Cheetah 500		500	2	1988-		0.7	BR9ES	5722		BR9EIX	3981
Cheetah 530		500	2	1987-1988		0.8	BR10EIX**	6801			
Cougar 500		500	2	1985-1987		0.7	BR9ES	5722		BR9EIX	3981
Cougar 500		500	2	1988-1990		0.7	BR9ES	5722		BR9EIX	3981
Cougar 500 Mountain Cat		500	2	1989-1990		0.7	BR9ES	5722		BR9EIX	3981
Cougar 500 Special Edition		500	2	1985-		0.7	BR9ES	5722		BR9EIX	3981
CrossFire 500 EFI	CF	500	2	2007-2009		0.7	BR9EYA	7548		BR9EIX	3981
El Tigre 500		500	2	1976-		0.8	BR8ES	5422	Q207	BR8EIX	5044
El Tigre 5000		500	2	1977-		0.7	BR9ES	5722		BR9EIX	3981
El Tigre 5000 F/A		500	2	1978-		0.7	BR9ES	5722		BR9EIX	3981
El Tigre 500 F/A		500	2	1979-1980		0.7	BR9ES	5722		BR9EIX	3981
El Tigre 500 F/C		500	2	1981-		0.7	BR9ES	5722		BR9EIX	3981
El Tigre 500 L/C		500	2	1980-		0.7	BR9ES	5722		BR9EIX	3981
El Tigre 500 L/C		500	2	1981-		0.8	BR10EIX**	6801			
El Tigre 6000		500	2	1984-1985		0.8	BR10EIX**	6801			
F 5	F	500	2	2013-2014		0.7	BR9EYA	7548		BR9EIX	3981
F 5 EFI	F	500	2	2007-2009		0.7	BR9EYA	7548		BR9EIX	3981
F 5 LXR	F	500	2	2007-2012		0.7	BR9EYA	7548		BR9EIX	3981
Firecat 500		500	2	2003-2006		0.7	BR9EYA	7548		BR9EIX	3981

*Bitte Elektrodenabstand nach Angaben des Herstellers justieren

*Please adjust the ground electrode gap

*Veuillez vérifier l'écartement

* Por favor, ajustar la distancia entre los electrodos

*Regolare il gap

** Iridium IX Spark Plug is the standard recommendation





Stock No.

Quick No.

Upgrade ↑

Stock No. ↑

ARCTIC CAT

Firecat 500 Sno-Pro		500	2	2003-2006		0.7	BR9EYA	7548		BR9EIX	3981
M 5	M	500	2	2005-2006		0.7	BR9EYA	7548		BR9EIX	3981
Mountain Cat 500		500	2	2001-2002		0.7	BR9EYA	7548		BR9EIX	3981
Pantera 500		500	2	1976-		0.7	BR9ES	5722		BR9EIX	3981
Pantera 500		500	2	1979-		0.7	BR9ES	5722		BR9EIX	3981
Pantera 500		500	2	1980-1981		0.7	BR9ES	5722		BR9EIX	3981
Pantera 500 F/A		500	2	1977-1978		0.7	BR9ES	5722		BR9EIX	3981
Pantera 500 F/C		500	2	1977-1978		0.8	BR8ES	5422	Q207	BR8EIX	5044
Panther 500		500	2	1976-		0.8	BR8ES	5422	Q207	BR8EIX	5044
Panther 500		500	2	1979-		0.7	BR9ES	5722		BR9EIX	3981
Panther 500		500	2	1986-1987		0.7	BR9ES	5722		BR9EIX	3981
Panther 500		500	2	1988-		0.7	BR9ES	5722		BR9EIX	3981
Panther 5000		500	2	1977-1978		0.7	BR9ES	5722		BR9EIX	3981
Powder Special 500 EFI		500	2	1999-2000		0.7	BR9EYA	7548		BR9EIX	3981
Powder Special 500 EFI LE		500	2	2000-2000		0.7	BR9EYA	7548		BR9EIX	3981
Sabercat 500		500	2	2004-2006		0.7	BR9EYA	7548		BR9EIX	3981
Sabercat 500 LX		500	2	2004-2006		0.7	BR9EYA	7548		BR9EIX	3981
T 500	T	500	2	2007-2009		0.7	BR9EYA	7548		BR9EIX	3981
ZL 500	ZL	500	2	1998-		0.7	BR9EYA	7548		BR9EIX	3981
ZL 500	ZL	500	2	1999-2000		0.7	BR9EYA	7548		BR9EIX	3981
ZL 500	ZL	500	2	2002-2002		0.7	BR9EYA	7548		BR9EIX	3981
ZL 500 EFI	ZL	500	2	1999-2000		0.7	BR9EYA	7548		BR9EIX	3981
ZL 500 EFI ESR	ZL	500	2	2001-		0.7	BR9EYA	7548		BR9EIX	3981
ZR 500	ZR	500	2	1998-		0.7	BR9EYA	7548		BR9EIX	3981
ZR 500	ZR	500	2	1999-2002		0.7	BR9EYA	7548		BR9EIX	3981
ZR 500 CC	ZR	500	2	2002-2002		0.7	BR9EYA	7548		BR9EIX	3981
ZR 500 EFI	ZR	500	2	1999-2001		0.7	BR9EYA	7548		BR9EIX	3981
ZR 500 EFI LE	ZR	500	2	1999-		0.7	BR9EYA	7548		BR9EIX	3981
ZR 500 LE	ZR	500	2	1999-		0.7	BR9EYA	7548		BR9EIX	3981
ZR 500 LE	ZR	500	2	2002-2002		0.7	BR9EYA	7548		BR9EIX	3981
Cheetah 530		530	2	1986-1986		0.8	BR10ES	4832		BR10EIX	6801
El Tigre 530		530	2	1986-1986		0.8	BR10ES	4832		BR10EIX	6801
El Tigre 530		530	2	1987-		0.8	BR10EIX**	6801			
El Tigre 6000		530	2	1988-1989		0.8	BR10EIX**	6801			
El Tigre EXT 530		530	2	1989-1990		0.7	BR9ES	5722		BR9EIX	3981
El Tigre EXT 530		530	2	1991-		0.7	BR9ES	5722		BR9EIX	3981
El Tigre EXT 530 Mountain Cat		530	2	1989-1990		0.7	BR9ES	5722		BR9EIX	3981
El Tigre EXT 530 Mountain Cat		530	2	1991-		0.7	BR9ES	5722		BR9EIX	3981
El Tigre EXT 530 Special		530	2	1990-		0.7	BR9ES	5722		BR9EIX	3981
Bearcat 550		550	2	1995-1996		0.7	BR9ES	5722		BR9EIX	3981
Bearcat Wide Track 550		550	2	1996-1997		0.7	BR9ES	5722		BR9EIX	3981
Bearcat Wide Track 550		550	2	1998-		0.7	BR9EYA	7548		BR9EIX	3981
Bearcat Wide Track 550		550	2	1999-2002		0.7	BR9EYA	7548		BR9EIX	3981
Cheetah 550		550	2	1994-		0.7	BR9ES	5722		BR9EIX	3981
Cougar 2-Up 550		550	2	1996-		0.7	BR9ES	5722		BR9EIX	3981
Cougar 550		550	2	1995-1997		0.7	BR9ES	5722		BR9EIX	3981
Cougar 550		550	2	1998-		0.7	BR9EYA	7548		BR9EIX	3981
Cougar Deluxe 550		550	2	1998-		0.7	BR9EYA	7548		BR9EIX	3981

* Bitte Elektrodenabstand nach Angaben des Herstellers justieren

* Please adjust the ground electrode gap

* Veuillez vérifier l'écartement

* Por favor, ajustar la distancia entre los electrodos

* Regolare il gap

* Iridium IX Spark Plug is the standard recommendation





Stock No.

Quick No.

Upgrade ↑

Stock No. ↑

ARCTIC CAT

Cougar Mountain Cat 550		550	2	1995-1997		0.7	BR9ES	5722		BR9EIX	3981
Cougar Mountain Cat 550		550	2	1998-		0.7	BR9EYA	7548		BR9EIX	3981
EXT 550	EXT	550	2	1991-1993		0.7	BR9ES	5722		BR9EIX	3981
EXT 550 EFI	EXT	550	2	1993-		0.7	BR9ES	5722		BR9EIX	3981
EXT 550 EFI Mountain Cat	EXT	550	2	1993-		0.7	BR9ES	5722		BR9EIX	3981
EXT 550 Mountain Cat	EXT	550	2	1992-		0.7	BR9ES	5722		BR9EIX	3981
EXT 550 Special	EXT	550	2	1991-1992		0.7	BR9ES	5722		BR9EIX	3981
Pantera 550		550	2	1993-		0.7	BR9ES	5722		BR9EIX	3981
Pantera 550		550	2	2002-2005		0.7	BR9EYA	7548		BR9EIX	3981
Panther 550		550	2	1997-		0.7	BR9ES	5722		BR9EIX	3981
Panther 550		550	2	1998-		0.7	BR9EYA	7548		BR9EIX	3981
Panther 550		550	2	1999-2001		0.7	BR9EYA	7548		BR9EIX	3981
Prowler 2-Up 550		550	2	1993-1994		0.7	BR9ES	5722		BR9EIX	3981
Prowler 2-Up 550		550	2	1995-		0.7	BR9ES	5722		BR9EIX	3981
Prowler 550		550	2	1993-1994		0.7	BR9ES	5722		BR9EIX	3981
ZL550	ZL	550	2	2001-2003		0.7	BR9EYA	7548		BR9EIX	3981
ZL550 ESR	ZL	550	2	2000-2000		0.7	BR9EYA	7548		BR9EIX	3981
ZL550 ESR	ZL	550	2	2001-2003		0.7	BR9EYA	7548		BR9EIX	3981
Bearcat 570		570	2	2004-2014		0.7	BR9EYA	7548		BR9EIX	3981
Bearcat 570 XT		570	2	2009-2014		0.7	BR9EYA	7548		BR9EIX	3981
Bearcat 570 XTE		570	2	2014-		0.7	BR9EYA	7548		BR9EIX	3981
F 570	F	570	2	2008-2014		0.7	BR9EYA	7548		BR9EIX	3981
Mountain Cat 570		570	2	2002-2004		0.7	BR9EYA	7548		BR9EIX	3981
Panther 570		570	2	2002-2002		0.7	BR9EYA	7548		BR9EIX	3981
Panther 570		570	2	2004-2007		0.7	BR9EYA	7548		BR9EIX	3981
Panther 570 ESR		570	2	2002-2002		0.7	BR9EYA	7548		BR9EIX	3981
Panther 570 ESR		570	2	2003-		0.7	BR9EYA	7548		BR9EIX	3981
Panther 570 R		570	2	2002-2002		0.7	BR9EYA	7548		BR9EIX	3981
T 570 Touring	T	570	2	2008-2014		0.7	BR9EYA	7548		BR9EIX	3981
Z 570	Z	570	2	2002-2007		0.7	BR9EYA	7548		BR9EIX	3981
Z 570	Z	570	2	2002-2002		0.7	BR9EYA	7548		BR9EIX	3981
Z 570 ESR	Z	570	2	2002-2002		0.7	BR9EYA	7548		BR9EIX	3981
Z 570 ESR	Z	570	2	2003-		0.7	BR9EYA	7548		BR9EIX	3981
Z 570 LX	Z	570	2	2004-2007		0.7	BR9EYA	7548		BR9EIX	3981
Z 570 SS	Z	570	2	2002-2002		0.7	BR9EYA	7548		BR9EIX	3981
EXT 580	EXT	580	2	1994-1996		0.7	BR9ES	5722		BR9EIX	3981
EXT 580 EFI	EXT	580	2	1995-1997		0.7	BR9ES	5722		BR9EIX	3981
EXT 580 EFI	EXT	580	2	1998-		0.7	BR9EYA	7548		BR9EIX	3981
EXT 580 EFI DELUXE	EXT	580	2	1996-1997		0.7	BR9ES	5722		BR9EIX	3981
EXT 580 EFI DELUXE	EXT	580	2	1998-		0.7	BR9EYA	7548		BR9EIX	3981
EXT 580 EFI MC Deep Lug	EXT	580	2	1995-		0.7	BR9ES	5722		BR9EIX	3981
EXT 580 EFI Mountain cat	EXT	580	2	1994-1996		0.7	BR9ES	5722		BR9EIX	3981
EXT 580 EFI Mountain cat Wave	EXT	580	2	1994-		0.7	BR9ES	5722		BR9EIX	3981
EXT 580 Mountain Cat	EXT	580	2	1993-1994		0.7	BR9ES	5722		BR9EIX	3981
EXT 580 Mountain Cat Wave	EXT	580	2	1994-		0.7	BR9ES	5722		BR9EIX	3981
EXT 580 Powder Special	EXT	580	2	1995-1996		0.7	BR9ES	5722		BR9EIX	3981
EXT 580 Z	EXT	580	2	1993-1994		0.7	BR9ES	5722		BR9EIX	3981
Pantera 580		580	2	1994-1997		0.7	BR9ES	5722		BR9EIX	3981
Pantera 580		580	2	1998-		0.7	BR9EYA	7548		BR9EIX	3981

* Bitte Elektrodenabstand nach Angaben des Herstellers justieren

* Please adjust the ground electrode gap

* Veuillez vérifier l'écartement

* Por favor, ajustar la distancia entre los electrodos

* Regolare il gap

** Iridium IX Spark Plug is the standard recommendation





Stock No.

Quick No.

Upgrade ↑

Stock No. ↑

ARCTIC CAT

Pantera 580 EFI		580	2	1999-2001		0.7	BR9EYA	7548		BR9EIX	3981
Powder Special 580		580	2	1997-		0.7	BR9EYA	7548		BR9EIX	3981
Powder Special 580 EFI		580	2	1997-		0.7	BR9EYA	7548		BR9EIX	3981
ZL 580 EFI ESR	ZL	580	2	2000-2000		0.7	BR9EYA	7548		BR9EIX	3981
ZR 580	ZR	580	2	1993-1996		0.7	BR9ES	5722		BR9EIX	3981
ZR 580	ZR	580	2	1997-		0.7	BR9EYA	7548		BR9EIX	3981
ZR 580 EFI	ZR	580	2	1995-1996		0.7	BR9ES	5722		BR9EIX	3981
ZR 580 EFI ETT	ZR	580	2	1996-		0.7	BR9ES	5722		BR9EIX	3981
600 Sno-Pro Cross Country Racer		600	2	2011-2014		0.7	BR9EYA	7548		BR9EIX	3981
600 Sno-Pro Factory Racer		600	2	2010-2014		0.7	BR9EYA	7548		BR9EIX	3981
600 Sno-Pro Racer		600	2	2008-2009		0.7	BR9EYA	7548		BR9EIX	3981
AC 600 Modified Sno-Pro	AC	600	2	2007-		0.7	BR9EYA	7548		BR9EIX	3981
CrossFire 600 EFI	CF	600	2	2006-2011		0.7	BR9EYA	7548		BR9EIX	3981
CrossFire 600 Sno-Pro	CF	600	2	2006-		0.7	BR9EYA	7548		BR9EIX	3981
EXT 600	EXT	600	3	1997-		0.7	BR9ES	5722		BR9EIX	3981
EXT 600 Tour	EXT	600	3	1998-		0.7	BR9EYA	7548		BR9EIX	3981
EXT 600 Triple	EXT	600	3	1998-		0.7	BR9EYA	7548		BR9EIX	3981
F6	F	600	2	2007-2008		0.7	BR9EYA	7548		BR9EIX	3981
F6 LXR	F	600	2	2007-2008		0.7	BR9EYA	7548		BR9EIX	3981
F6 Sno-Pro	F	600	2	2007-2011		0.7	BR9EYA	7548		BR9EIX	3981
Firecat 600		600	2	2005-2006		0.7	BR9EYA	7548		BR9EIX	3981
Firecat 600 Black Widow		600	2	2005-		0.7	BR9EYA	7548		BR9EIX	3981
Firecat 600 Early Build		600	2	2004-		0.7	BR9EYA	7548		BR9EIX	3981
Firecat 600 EXT		600	2	2004-2005		0.7	BR9EYA	7548		BR9EIX	3981
Firecat 600 Fighter		600	2	2004-		0.7	BR9EYA	7548		BR9EIX	3981
Firecat 600 Jocker		600	2	2005-		0.7	BR9EYA	7548		BR9EIX	3981
Firecat 600 Nightfire		600	2	2004-		0.7	BR9EYA	7548		BR9EIX	3981
Firecat 600 R		600	2	2005-2006		0.7	BR9EYA	7548		BR9EIX	3981
Firecat 600 Retro		600	2	2005-		0.7	BR9EYA	7548		BR9EIX	3981
Firecat 600 Sno-Pro		600	2	2004-2006		0.7	BR9EYA	7548		BR9EIX	3981
Firecat 600 Sno-Pro Black Widow		600	2	2005-		0.7	BR9EYA	7548		BR9EIX	3981
Firecat 600 Sno-Pro Fighter		600	2	2004-		0.7	BR9EYA	7548		BR9EIX	3981
Firecat 600 Sno-Pro Jocker		600	2	2005-		0.7	BR9EYA	7548		BR9EIX	3981
Firecat 600 Sno-Pro Nightfire		600	2	2004-		0.7	BR9EYA	7548		BR9EIX	3981
Firecat 600 Sno-Pro Retro		600	2	2005-		0.7	BR9EYA	7548		BR9EIX	3981
Firecat 600 Sno-Pro Team Arctic		600	2	2004-2005		0.7	BR9EYA	7548		BR9EIX	3981
Firecat 600 Sno-Pro Tiger		600	2	2004-		0.7	BR9EYA	7548		BR9EIX	3981
Firecat 600 Team Arctic		600	2	2004-2005		0.7	BR9EYA	7548		BR9EIX	3981
Firecat 600 Tiger		600	2	2004-		0.7	BR9EYA	7548		BR9EIX	3981
M6000 Sno-Pro	M	600	2	2014-		0.7	BPR9ES	7788		BPR9EIX	6853
M 6 EFI	M	600	2	2005-2011		0.7	BR9EYA	7548		BR9EIX	3981
Mountain Cat 600 EFI		600	2	2001-2004		0.7	BR9EYA	7548		BR9EIX	3981
Mountain Cat 600 EFI LE		600	2	2001-2002		0.7	BR9EYA	7548		BR9EIX	3981
Mountain Cat 600 VEV		600	2	2001-		0.7	BR9EYA	7548		BR9EIX	3981
Pantera 600		600	2	2003-2005		0.7	BR9EYA	7548		BR9EIX	3981
Pantera 600 ESR		600	2	2002-2002		0.7	BR9EYA	7548		BR9EIX	3981

*Bitte Elektrodenabstand nach Angaben des Herstellers justieren

*Please adjust the ground electrode gap

*Veuillez vérifier l'écartement

* Por favor, ajustar la distancia entre los electrodos

*Regolare il gap

* Iridium IX Spark Plug is the standard recommendation





Stock No.

Quick No.

Upgrade ↑

Stock No. ↑

ARCTIC CAT

Powder Extreme 600		600	3	1997-		0.7	BR9ES	5722		BR9EIX	3981
Powder Extreme 600		600	3	1998-		0.7	BR9EYA	7548		BR9EIX	3981
Powder Special 2K 600		600	2	2000-2000		0.7	BR9EYA	7548		BR9EIX	3981
Powder Special 600		600	2	1998-		0.7	BR9EYA	7548		BR9EIX	3981
Powder Special 600		600	2	1999-		0.7	BR9EYA	7548		BR9EIX	3981
Powder Special 600		600	2	2000-2000		0.7	BR9EYA	7548		BR9EIX	3981
Powder Special 600 EFI		600	2	1998-		0.7	BR9EYA	7548		BR9EIX	3981
Powder Special 600 EFI		600	2	2000-2000		0.7	BR9EYA	7548		BR9EIX	3981
Powder Special 600 EFI I		600	2	1999-		0.7	BR9EYA	7548		BR9EIX	3981
Powder Special 600 EFI II LE		600	2	1999-		0.7	BR9EYA	7548		BR9EIX	3981
Powder Special 600 EFI LE		600	2	1998-		0.7	BR9EYA	7548		BR9EIX	3981
Powder Special 600 EFI LE		600	2	2000-2000		0.7	BR9EYA	7548		BR9EIX	3981
Powder Special 600 LE		600	2	2000-2000		0.7	BR9EYA	7548		BR9EIX	3981
Sabercat 600		600	2	2004-2005		0.7	BR9EYA	7548		BR9EIX	3981
Sabercat 600 EXT		600	2	2004-2005		0.7	BR9EYA	7548		BR9EIX	3981
Sabercat 600 LX		600	2	2004-2006		0.7	BR9EYA	7548		BR9EIX	3981
Triple Touring 600		600	3	1999-		0.7	BR9EYA	7548		BR9EIX	3981
Triple Touring 600		600	3	2000-2001		0.7	BR9EYA	7548		BR9EIX	3981
ZL 600	ZL	600	2	1999-2000		0.7	BR9EYA	7548		BR9EIX	3981
ZL 600 EFI	ZL	600	2	1999-2003		0.7	BR9EYA	7548		BR9EIX	3981
ZL 600 EFI		600	2	1999-2003		0.7	BR9EYA	7548		BR9EIX	3981
ZL 600 EFI ESR	ZL	600	2	2001-2003		0.7	BR9EYA	7548		BR9EIX	3981
ZL 600 EFI SS	ZL	600	2	2002-2003		0.7	BR9EYA	7548		BR9EIX	3981
ZL 600 EFI SS ESR	ZL	600	2	2002-2003		0.7	BR9EYA	7548		BR9EIX	3981
ZR 600	ZR	600	2	1999-		0.7	BR9EYA	7548		BR9EIX	3981
ZR 600	ZR	600	2	2000-2000		0.7	BR9EYA	7548		BR9EIX	3981
ZR 600	ZR	600	2	2001-2002		0.7	BR9EYA	7548		BR9EIX	3981
ZR 6000 EL Tigre Sno-Pro ES LTD	ZR	600	2	2014-		0.7	BPR9ES	7788		BPR9EIX	6853
ZR 6000 EL Tigre Sno-Pro LTD	ZR	600	2	2014-		0.7	BPR9ES	7788		BPR9EIX	6853
ZR 6000 Sno-Pro LTD ES	ZR	600	2	2015-		0.7	BPR9ES	7788		BPR9EIX	6853
ZR 6000 Sno-Pro RR	ZR	600	2	2014-		0.7	BPR9ES	7788		BPR9EIX	6853
ZR 6000 Sno-Pro RR	ZR	600	2	2015-		0.7	BPR9ES	7788		BPR9EIX	6853
ZR 6000 Tucker Hibbert RR	ZR	600	2	2015-		0.7	BPR9ES	7788		BPR9EIX	6853
ZR 600 2ND RUN	ZR	600	2	1998-		0.7	BR9EYA	7548		BR9EIX	3981
ZR 600 Blair Morgan Signature Edition	ZR	600	2	2000-2000		0.7	BR9EYA	7548		BR9EIX	3981
ZR 600 CC	ZR	600	2	2002-2002		0.7	BR9EYA	7548		BR9EIX	3981
ZR 600 EFI	ZR	600	2	1998-		0.7	BR9EYA	7548		BR9EIX	3981
ZR 600 EFI	ZR	600	2	1999-2001		0.7	BR9EYA	7548		BR9EIX	3981
ZR 600 EFI LE	ZR	600	2	1998-		0.7	BR9EYA	7548		BR9EIX	3981
ZR 600 EFI LE	ZR	600	2	1999-2001		0.7	BR9EYA	7548		BR9EIX	3981
ZR 600 EFI LE Reverse	ZR	600	2	2000-2000		0.7	BR9EYA	7548		BR9EIX	3981
ZR 600 EFI LE XC	ZR	600	2	1998-		0.7	BR9EYA	7548		BR9EIX	3981
ZR 600 January	ZR	600	2	1998-		0.7	BR9EYA	7548		BR9EIX	3981
ZR 600 VEV	ZR	600	2	2001-		0.7	BR9EYA	7548		BR9EIX	3981
ZRT 600	ZRT	600	3	1995-1997		0.7	BR9ES	5722		BR9EIX	3981
ZRT 600	ZRT	600	3	1998-1999		0.7	BR9EYA	7548		BR9EIX	3981
ZRT 600	ZRT	600	3	2000-2001		0.7	BR9EYA	7548		BR9EIX	3981

* Bitte Elektrodenabstand nach Angaben des Herstellers justieren

* Please adjust the ground electrode gap

* Veuillez vérifier l'écartement

* Por favor, ajustar la distancia entre los electrodos

* Regolare il gap

** Iridium IX Spark Plug is the standard recommendation





Stock No.

Quick No.

Upgrade ↑

Stock No. ↑

ARCTIC CAT

ZRT 600	ZRT	600	3	2002-2002		0.7	BR9EYA	7548		BR9EIX	3981
ZRT 600 LE	ZRT	600	3	2001-		0.7	BR9EYA	7548		BR9EIX	3981
El Tigre 6000		650	2	1987-		0.7	BR9ES	5722		BR9EIX	3981
Wildcat 650		650	2	1988-1989		0.8	BR10EIX**	6801			
Wildcat 650		650	2	1990-		0.7	BR9ES	5722		BR9EIX	3981
Wildcat 650 Mountain Cat		650	2	1989-1989		0.8	BR10EIX**	6801			
Wildcat 650 Mountain Cat		650	2	1990-		0.7	BR9ES	5722		BR9EIX	3981
Bearcat Wide Track 660		660	3	2003-2008		0.8	KR8AI	5477			
Bearcat Wide Track WT660 Turbo		660	3	2006-2008		0.8	KR8AI	5477			
Panther 660 Touring		660	3	2006-2008		0.8	KR8AI	5477			
Panther 660 Trail		660	3	2006-2007		0.8	KR8AI	5477			
T 660 Touring	T	660	3	2002-2002		0.8	DCPR7E	3932		DCPR7EIX	6046
T 660 Touring	T	660	3	2003-2008		0.8	KR8AI	5477			
T 660 Trail	T	660	3	2002-2002		0.8	DCPR7E	3932		DCPR7EIX	6046
T 660 Turbo ST	T	660	3	2005-2006		0.8	KR8AI	5477			
T 660 Turbo ST Early Build	T	660	3	2005-		0.8	KR8AI	5477			
T 660 Turbo Touring	T	660	3	2003-2007		0.8	KR8AI	5477			
T 660 Turbo Touring LE	T	660	3	2006-2007		0.8	KR8AI	5477			
T 660 Turbo Trail	T	660	3	2003-2007		0.8	KR8AI	5477			
T 660 Turbo Trail LE	T	660	3	2006-2007		0.8	KR8AI	5477			
CrossFire 700	CF	700	2	2006-		0.7	BR9EYA	7548		BR9EIX	3981
CrossFire 700 Early Build	CF	700	2	2006-		0.7	BR9EYA	7548		BR9EIX	3981
CrossFire 700 Sno-Pro	CF	700	2	2006-		0.7	BR9EYA	7548		BR9EIX	3981
CrossFire 700 West Yellowstone	CF	700	2	2006-		0.7	BR9EYA	7548		BR9EIX	3981
Firecat 700		700	2	2003-2006		0.7	BR9EYA	7548		BR9EIX	3981
Firecat 700 Black Widow		700	2	2005-		0.7	BR9EYA	7548		BR9EIX	3981
Firecat 700 EXT		700	2	2004-2005		0.7	BR9EYA	7548		BR9EIX	3981
Firecat 700 Fighter		700	2	2004-		0.7	BR9EYA	7548		BR9EIX	3981
Firecat 700 Jocker		700	2	2005-		0.7	BR9EYA	7548		BR9EIX	3981
Firecat 700 Nightfire		700	2	2004-		0.7	BR9EYA	7548		BR9EIX	3981
Firecat 700 R		700	2	2005-2006		0.7	BR9EYA	7548		BR9EIX	3981
Firecat 700 Retro		700	2	2005-		0.7	BR9EYA	7548		BR9EIX	3981
Firecat 700 Sno-Pro		700	2	2003-2006		0.7	BR9EYA	7548		BR9EIX	3981
Firecat 700 Sno-Pro Black Widow		700	2	2005-		0.7	BR9EYA	7548		BR9EIX	3981
Firecat 700 Sno-Pro Fighter		700	2	2004-		0.7	BR9EYA	7548		BR9EIX	3981
Firecat 700 Sno-Pro Jocker		700	2	2005-		0.7	BR9EYA	7548		BR9EIX	3981
Firecat 700 Sno-Pro Nightfire		700	2	2004-		0.7	BR9EYA	7548		BR9EIX	3981
Firecat 700 Sno-Pro Retro		700	2	2005-		0.7	BR9EYA	7548		BR9EIX	3981
Firecat 700 Sno Pro Team Arctic		700	2	2004-2005		0.7	BR9EYA	7548		BR9EIX	3981
Firecat 700 Sno-Pro Tiger		700	2	2004-		0.7	BR9EYA	7548		BR9EIX	3981
Firecat 700 Team Arctic		700	2	2004-2005		0.7	BR9EYA	7548		BR9EIX	3981
Firecat 700 Tiger		700	2	2004-		0.7	BR9EYA	7548		BR9EIX	3981
Firecat 700 Towy Stewart Edition		700	2	2006-		0.7	BR9EYA	7548		BR9EIX	3981
M7	M	700	2	2005-2006		0.7	BR9EYA	7548		BR9EIX	3981
M7 CT	M	700	2	2006-		0.7	BR9EYA	7548		BR9EIX	3981

* Bitte Elektrodenabstand nach Angaben des Herstellers justieren

* Please adjust the ground electrode gap

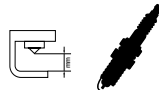
* Veuillez vérifier l'écartement

* Por favor, ajustar la distancia entre los electrodos

* Regolare il gap

* Iridium IX Spark Plug is the standard recommendation





Stock No.

Quick No.

Upgrade ↑

Stock No. ↑

ARCTIC CAT

M7 LE CT	M	700	2	2006-		0.7	BR9EYA	7548		BR9EIX	3981
M7 West Yellowstone	M	700	2	2006-		0.7	BR9EYA	7548		BR9EIX	3981
Powder Special 700		700	2	1999-2000		0.7	BR9EYA	7548		BR9EIX	3981
Powder Special 700 LE		700	2	1999-2000		0.7	BR9EYA	7548		BR9EIX	3981
Sabercat 700		700	2	2004-2005		0.7	BR9EYA	7548		BR9EIX	3981
Sabercat 700 EXT		700	2	2004-2006		0.7	BR9EYA	7548		BR9EIX	3981
Sabercat 700 LX		700	2	2004-2006		0.7	BR9EYA	7548		BR9EIX	3981
Wildcat 700		700	2	1991-1996		0.7	BR9ES	5722		BR9EIX	3981
Wildcat 700 EFI		700	2	1991-1994		0.7	BR9ES	5722		BR9EIX	3981
Wildcat 700 EFI Mountain Cat		700	2	1991-1994		0.7	BR9ES	5722		BR9EIX	3981
Wildcat 700 MC Deep Lug		700	2	1995-		0.7	BR9ES	5722		BR9EIX	3981
Wildcat 700 Mountain Cat		700	2	1991-1996		0.7	BR9ES	5722		BR9EIX	3981
Wildcat 700 Touring		700	2	1995-1996		0.7	BR9ES	5722		BR9EIX	3981
ZL 700	ZL	700	2	2000-2000		0.7	BR9EYA	7548		BR9EIX	3981
ZR 700	ZR	700	2	1994-1995		0.7	BR9ES	5722		BR9EIX	3981
ZR 700	ZR	700	2	1999-2000		0.7	BR9EYA	7548		BR9EIX	3981
ZR 700 LE	ZR	700	2	2000-2000		0.7	BR9EYA	7548		BR9EIX	3981
ZR 700 LE Reverse	ZR	700	2	2000-2000		0.7	BR9EYA	7548		BR9EIX	3981
CrossFire 8 EFI Sno-Pro	CF	800	2	2007-2011	Twin Spark	0.7	BR9EYA	7548		BR9EIX	3981
CrossFire 8 EFI Sno-Pro LE	CF	800	2	2009-2009	Twin Spark	0.7	BR9EYA	7548		BR9EIX	3981
CrossFire 8 EFI Sno-Pro LTD	CF	800	2	-	Twin Spark	0.7	BR9EYA	7548		BR9EIX	3981
CrossFire EFI 8	CF	800	2	2007-2011	Twin Spark	0.7	BR9EYA	7548		BR9EIX	3981
CrossFireR 8	CFR	800	2	2009-2011	Twin Spark	0.7	BR9EYA	7548		BR9EIX	3981
CrossFireR 8 LE	CFR	800	2	2009-2009	Twin Spark	0.7	BR9EYA	7548		BR9EIX	3981
F 800 LXR	F	800	2	2012-2013	Twin Spark	0.7	BR9EYA	7548		BR9EIX	3981
F 800 SnoPro	F	800	2	2012-2013	Twin Spark	0.7	BR9EYA	7548		BR9EIX	3981
F 800 SnoPro 50th Anniversary	F	800	2	2012-	Twin Spark	0.7	BR9EYA	7548		BR9EIX	3981
F 800 SnoPro LTD	F	800	2	2012-2013	Twin Spark	0.7	BR9EYA	7548		BR9EIX	3981
F 800 SnoPro RR	F	800	2	2013-	Twin Spark	0.7	BR9EYA	7548		BR9EIX	3981
F 800 Tucker Hibbert Race Replica	F	800	2	2013-	Twin Spark	0.7	BR9EYA	7548		BR9EIX	3981
F 8 EFI	F	800	2	2008-2010	Twin Spark	0.7	BR9EYA	7548		BR9EIX	3981
F 8 EFI Sno-Pro	F	800	2	2007-2010	Twin Spark	0.7	BR9EYA	7548		BR9EIX	3981
F 8 EXT	F	800	2	2011-	Twin Spark	0.7	BR9EYA	7548		BR9EIX	3981
F 8 LE	F	800	2	2009-2009	Twin Spark	0.7	BR9EYA	7548		BR9EIX	3981
F 8 LXR	F	800	2	2008-2011	Twin Spark	0.7	BR9EYA	7548		BR9EIX	3981
F 8 Sno-Pro LXR LTD	F	800	2	2011-	Twin Spark	0.7	BR9EYA	7548		BR9EIX	3981
F 8 Sno-Pro Tony Stewart Edition	F	800	2	2007-	Twin Spark	0.7	BR9EYA	7548		BR9EIX	3981
M 8	M	800	2	2007-2011	Twin Spark	0.7	BR9EYA	7548		BR9EIX	3981
M 800	M	800	2	2012-2013	Twin Spark	0.7	BR9EYA	7548		BR9EIX	3981
M 8000	M	800	2	2014-	Twin Spark	0.7	BR9EYA	7548		BR9EIX	3981
M 8000 HCR	M	800	2	2014-	Twin Spark	0.7	BR9EYA	7548		BR9EIX	3981
M 8000 Sno-Pro	M	800	2	2014-	Twin Spark	0.7	BR9EYA	7548		BR9EIX	3981
M 8000 Sno-Pro LTD	M	800	2	2014-	Twin Spark	0.7	BR9EYA	7548		BR9EIX	3981
M 8000 Sno-Pro LTD ES	M	800	2	2014-	Twin Spark	0.7	BR9EYA	7548		BR9EIX	3981
M 800 HCR	M	800	2	2012-2013	Twin Spark	0.7	BR9EYA	7548		BR9EIX	3981
M 800 Sno-Pro	M	800	2	2012-2013	Twin Spark	0.7	BR9EYA	7548		BR9EIX	3981
M 800 Sno-Pro Anniversary	M	800	2	2012-	Twin Spark	0.7	BR9EYA	7548		BR9EIX	3981

* Bitte Elektrodenabstand nach Angaben des Herstellers justieren

* Please adjust the ground electrode gap

* Veuillez vérifier l'écartement

* Por favor, ajustar la distancia entre los electrodos

* Regolare il gap

** Iridium IX Spark Plug is the standard recommendation





Stock No.

Quick No.

Upgrade ↑

Stock No. ↑

ARCTIC CAT

M 800 Sno-Pro Anniversary	M	800	2	2012-	Twin Spark	0.7	BR9EYA	7548		BR9EIX	3981
M 800 Sno-Pro LTD	M	800	2	2012-2013	Twin Spark	0.7	BR9EYA	7548		BR9EIX	3981
M 8 HCR	M	800	2	2009-2011	Twin Spark	0.7	BR9EYA	7548		BR9EIX	3981
M 8 Sno-Pro	M	800	2	2007-2011	Twin Spark	0.7	BR9EYA	7548		BR9EIX	3981
M 8 Sno-Pro LE	M	800	2	2009-2009	Twin Spark	0.7	BR9EYA	7548		BR9EIX	3981
M 8 Sno-Pro LTD	M	800	2	2011-	Twin Spark	0.7	BR9EYA	7548		BR9EIX	3981
Mountain Cat 800		800	2	2001-2004		0.7	BR9EYA	7548		BR9EIX	3981
Mountain Cat 800 LE		800	2	2001-2002		0.7	BR9EYA	7548		BR9EIX	3981
Pantera 800		800	3	1998-1999		0.7	BR9EYA	7548		BR9EIX	3981
Pantera 800		800	2	2003-2005		0.7	BR9EYA	7548		BR9EIX	3981
Pantera 800 ESR		800	2	2002-2002		0.7	BR9EYA	7548		BR9EIX	3981
XF 8000 Cross Country LTD	XF	800	2	2015-	Twin Spark	0.7	BR9EYA	7548		BR9EIX	3981
XF 8000 Cross Country Sno-Pro	XF	800	2	2014-	Twin Spark	0.7	BR9EYA	7548		BR9EIX	3981
XF 8000 Cross Country Sno-Pro	XF	800	2	2015-	Twin Spark	0.7	BR9EYA	7548		BR9EIX	3981
XF 8000 CrossTour	XF	800	2	2014-	Twin Spark	0.7	BR9EYA	7548		BR9EIX	3981
XF 8000 CrossTour	XF	800	2	2015-	Twin Spark	0.7	BR9EYA	7548		BR9EIX	3981
XF 8000 High Country LTD	XF	800	2	2015-	Twin Spark	0.7	BR9EYA	7548		BR9EIX	3981
XF 8000 High Country Sno-Pro	XF	800	2	2014-	Twin Spark	0.7	BR9EYA	7548		BR9EIX	3981
XF 8000 High Country Sno-Pro	XF	800	2	2015-	Twin Spark	0.7	BR9EYA	7548		BR9EIX	3981
XF 8000 High Country Sno-Pro LTD ES	XF	800	2	2014-	Twin Spark	0.7	BR9EYA	7548		BR9EIX	3981
XF 8000 LXR	XF	800	2	2014-	Twin Spark	0.7	BR9EYA	7548		BR9EIX	3981
XF 8000 LXR	XF	800	2	2015-	Twin Spark	0.7	BR9EYA	7548		BR9EIX	3981
XF 8000 Sno-Pro	XF	800	2	2014-	Twin Spark	0.7	BR9EYA	7548		BR9EIX	3981
XF 8000 Sno-Pro	XF	800	2	2015-	Twin Spark	0.7	BR9EYA	7548		BR9EIX	3981
XF 8000 Sno-Pro LTD	XF	800	2	2014-	Twin Spark	0.7	BR9EYA	7548		BR9EIX	3981
XF 8000 Sno-Pro LTD	XF	800	2	2015-	Twin Spark	0.7	BR9EYA	7548		BR9EIX	3981
XF 800 CrossTour	XF	800	2	2013-	Twin Spark	0.7	BR9EYA	7548		BR9EIX	3981
XF 800 LXR	XF	800	2	2012-2013	Twin Spark	0.7	BR9EYA	7548		BR9EIX	3981
XF 800 Sno-Pro	XF	800	2	2012-2013	Twin Spark	0.7	BR9EYA	7548		BR9EIX	3981
XF 800 Sno-Pro 50th Anniversary	XF	800	2	2012-	Twin Spark	0.7	BR9EYA	7548		BR9EIX	3981
XF 800 Sno-Pro High Country	XF	800	2	2012-2013	Twin Spark	0.7	BR9EYA	7548		BR9EIX	3981
XF 800 Sno-Pro High Country LTD	XF	800	2	2013-	Twin Spark	0.7	BR9EYA	7548		BR9EIX	3981
XF 800 Sno-Pro LTD	XF	800	2	2012-2013	Twin Spark	0.7	BR9EYA	7548		BR9EIX	3981
ZL 800 ESR	ZL	800	2	2001-2003		0.7	BR9EYA	7548		BR9EIX	3981
ZL 800 ESR Illusion	ZL	800	2	2001-		0.7	BR9EYA	7548		BR9EIX	3981
ZL 800 SS	ZL	800	2	2002-2003		0.7	BR9EYA	7548		BR9EIX	3981
ZR 800	ZR	800	2	2001-2003		0.7	BR9EYA	7548		BR9EIX	3981
ZR 8000 LXR	ZR	800	2	2014-	Twin Spark	0.7	BR9EYA	7548		BR9EIX	3981
ZR 8000 LXR	ZR	800	2	2015-	Twin Spark	0.7	BR9EYA	7548		BR9EIX	3981
ZR 8000 Sno-Pro	ZR	800	2	2014-	Twin Spark	0.7	BR9EYA	7548		BR9EIX	3981
ZR 8000 Sno-Pro	ZR	800	2	2015-	Twin Spark	0.7	BR9EYA	7548		BR9EIX	3981
ZR 8000 Sno-Pro LTD	ZR	800	2	2015-	Twin Spark	0.7	BR9EYA	7548		BR9EIX	3981
ZR 8000 Sno-Pro LTD ES	ZR	800	2	2014-	Twin Spark	0.7	BR9EYA	7548		BR9EIX	3981
ZR 8000 Sno-Pro LTD ES	ZR	800	2	2015-	Twin Spark	0.7	BR9EYA	7548		BR9EIX	3981
ZR 8000 Sno-Pro LTD RR NE OS	ZR	800	2	2014-	Twin Spark	0.7	BR9EYA	7548		BR9EIX	3981
ZR 8000 Sno-Pro RR	ZR	800	2	2014-	Twin Spark	0.7	BR9EYA	7548		BR9EIX	3981

* Bitte Elektrodenabstand nach Angaben des Herstellers justieren

* Please adjust the ground electrode gap

* Veuillez vérifier l'écartement

* Por favor, ajustar la distancia entre los electrodos

* Regolare il gap

* Iridium IX Spark Plug is the standard recommendation





Stock No.

Quick No.

Upgrade ↑

Stock No. ↑

ARCTIC CAT

ZR 8000 Sno-Pro RR	ZR	800	2	2015-	Twin Spark	0.7	BR9EYA	7548		BR9EIX	3981
ZR 800 CC	ZR	800	2	2002-2002		0.7	BR9EYA	7548		BR9EIX	3981
ZR 800 LE	ZR	800	2	2001-		0.7	BR9EYA	7548		BR9EIX	3981
ZR 800 Sno-Pro	ZR	800	2	2003-		0.7	BR9EYA	7548		BR9EIX	3981
ZRT 800 LE	ZRT	800	3	2001-		0.7	BR9EYA	7548		BR9EIX	3981
King Cat 900		900	2	2004-2006		0.7	BR9EYA	7548		BR9EIX	3981
King Cat 900 Early Build		900	2	2005-		0.7	BR9EYA	7548		BR9EIX	3981
Mountain Cat 900		900	2	2003-2004		0.7	BR9EYA	7548		BR9EIX	3981
Mountain Cat 900 1M		900	2	2003-		0.7	BR9EYA	7548		BR9EIX	3981
Mountain Cat 900 Early Build		900	2	2003-		0.7	BR9EYA	7548		BR9EIX	3981
Thundercat 900		900	3	1993-		0.7	BR9ES	5722		BR9EIX	3981
Thundercat 900		900	3	1994-1997		0.7	BR9ES	5722		BR9EIX	3981
Thundercat 900 MC		900	3	1997-		0.7	BR9ES	5722		BR9EIX	3981
Thundercat 900 MC Deep Lug		900	3	1995-		0.7	BR9ES	5722		BR9EIX	3981
Thundercat 900 Mountain Cat		900	3	1994-1996		0.7	BR9ES	5722		BR9EIX	3981
Thundercat 900 Mountain Cat W		900	3	1994-		0.7	BR9ES	5722		BR9EIX	3981
ZR 900	ZR	900	2	2003-2006		0.7	BR9EYA	7548		BR9EIX	3981
ZR 900 Early Build	ZR	900	2	2003-		0.7	BR9EYA	7548		BR9EIX	3981
ZR 900 Sno-Pro	ZR	900	2	2003-2006		0.7	BR9EYA	7548		BR9EIX	3981
Bearcat Z1 XT		1000	2	2009-2014		0.9	MR8AI9	7692			
Bearcat Z1 XT GS		1000	2	2012-2014		0.9	MR8AI9	7692			
Bearcat Z1 XT LTD		1000	2	2011-2014		0.9	MR8AI9	7692			
CrossFire 1000 EFI	CF	1000	2	2007-2009	Twin Spark	0.7	BR9EYA	7548		BR9EIX	3981
CrossFire 1000 EFI Sno-Pro	CF	1000	2	2007-2009	Twin Spark	0.7	BR9EYA	7548		BR9EIX	3981
CrossFire 1000 EFI Sno-Pro Nitefire	CF	1000	2	2009-2009	Twin Spark	0.7	BR9EYA	7548		BR9EIX	3981
CrossFireR 1000	CFR	1000	2	2009-2011	Twin Spark	0.7	BR9EYA	7548		BR9EIX	3981
CrossFireR 1000 LE	CFR	1000	2	2009-2009	Twin Spark	0.7	BR9EYA	7548		BR9EIX	3981
F 1000 EFI	F	1000	2	2007-2008	Twin Spark	0.7	BR9EYA	7548		BR9EIX	3981
F 1000 EFI LXR	F	1000	2	2007-2008	Twin Spark	0.7	BR9EYA	7548		BR9EIX	3981
F 1000 EFI Sno-Pro	F	1000	2	2007-2009	Twin Spark	0.7	BR9EYA	7548		BR9EIX	3981
M 1000	M	1000	2	2007-2009	Twin Spark	0.7	BR9EYA	7548		BR9EIX	3981
M 1000 Sno-Pro	M	1000	2	2007-2011	Twin Spark	0.7	BR9EYA	7548		BR9EIX	3981
M 1000 Sno-Pro LE	M	1000	2	2009-2009	Twin Spark	0.7	BR9EYA	7548		BR9EIX	3981
Mountain Cat 1000		1000	3	2001-2001		0.7	BR9EYA	7548		BR9EIX	3981
Mountain Cat 1000		1000	3	2002-2002		0.7	BR9EYA	7548		BR9EIX	3981
Pantera 1000		1000	3	2000-2001		0.7	BR9EYA	7548		BR9EIX	3981
Thundercat 1000		1000	3	1998-1999		0.7	BR9EYA	7548		BR9EIX	3981
Thundercat 1000		1000	3	2000-2001		0.7	BR9EYA	7548		BR9EIX	3981
Thundercat 1000		1000	3	2002-2002		0.7	BR9EYA	7548		BR9EIX	3981
Thundercat 1000 MC		1000	3	1998-1999		0.7	BR9EYA	7548		BR9EIX	3981
Thundercat 1000 MC		1000	3	2000-2000		0.7	BR9EYA	7548		BR9EIX	3981
Thundercat 1000 THC		1000	3	2000-2000		0.7	BR9EYA	7548		BR9EIX	3981
XF 7000 CrossTour	XF	1050	3	2014-		0.8	CR9E	6263	Q227	CR9EIX	3521
XF 7000 CrossTour Sno-Pro	XF	1050	3	2014-		0.8	CR9E	6263	Q227	CR9EIX	3521
XF 7000 LXR	XF	1050	3	2014-		0.8	CR9E	6263	Q227	CR9EIX	3521
XF 7000 Sno-Pro	XF	1050	3	2014-		0.8	CR9E	6263	Q227	CR9EIX	3521
XF 7000 Sno-Pro Cross Country	XF	1050	3	2014-		0.8	CR9E	6263	Q227	CR9EIX	3521
XF 7000 Sno-Pro LTD	XF	1050	3	2014-		0.8	CR9E	6263	Q227	CR9EIX	3521

* Bitte Elektrodenabstand nach Angaben des Herstellers justieren

* Please adjust the ground electrode gap

* Veuillez vérifier l'écartement

* Por favor, ajustar la distancia entre los electrodos

* Regolare il gap

** Iridium IX Spark Plug is the standard recommendation





Stock No.

Quick No.

Upgrade ↑

Stock No. ↑

ARCTIC CAT

ZR 7000 LXR	ZR	1050	3	2014-		0.8	CR9E	6263	Q227	CR9EIX	3521
ZR 7000 LXR	ZR	1050	3	2015-		0.8	CR9E	6263	Q227	CR9EIX	3521
ZR 7000 Sno-Pro	ZR	1050	3	2014-		0.8	CR9E	6263	Q227	CR9EIX	3521
ZR 7000 Sno-Pro	ZR	1050	3	2015-		0.8	CR9E	6263	Q227	CR9EIX	3521
ZR 7000 Sno-Pro LTD	ZR	1050	3	2015-		0.8	CR9E	6263	Q227	CR9EIX	3521
ZR 7000 Sno-Pro LTD El Tigre	ZR	1050	3	2015-		0.8	CR9E	6263	Q227	CR9EIX	3521
ZR 7000 Sno-Pro RR	ZR	1050	3	2015-		0.8	CR9E	6263	Q227	CR9EIX	3521
ZR 7000 Sno-Pro RR Early Build	ZR	1050	3	2015-		0.8	CR9E	6263	Q227	CR9EIX	3521
F 1100 LXR	F	1100	2	2012-2013		0.9	MR8A19	7692			
F 1100 SnoPro	F	1100	2	2012-2013		0.9	MR8A19	7692			
F 1100 SnoPro 50 Anniversary	F	1100	2	2012-		0.9	MR8A19	7692			
F 1100 SnoPro LTD	F	1100	2	2012-2013		0.9	MR8A19	7692			
F 1100 Turbo LXR	F	1100	2	2012-2013		0.9	MR8A19	7692			
F 1100 Turbo SnoPro	F	1100	2	2012-2013		0.9	MR8A19	7692			
F 1100 Turbo SnoPro 50 Anniversary	F	1100	2	2012-		0.9	MR8A19	7692			
F 1100 Turbo SnoPro LTD	F	1100	2	2012-2013		0.9	MR8A19	7692			
F 1100 Turbo SnoPro RR	F	1100	2	2013-		0.9	MR8A19	7692			
Jaguar Z1	Z	1100	2	2007-2008	SUZUKI	0.9	MR8A19	7692			
Jaguar Z1 Early Build	Z	1100	2	2007-		0.9	MR8A19	7692			
Jaguar Z1 Sno-Pro & Nitefire Sno-Pro	Z	1100	2	2008-	SUZUKI	0.9	MR8A19	7692			
M 1100	M	1100	2	2012-2013		0.9	MR8A19	7692			
M 1100 Sno-Pro	M	1100	2	2012-2013		0.9	MR8A19	7692			
M 1100 Sno-Pro 50th Anniversary	M	1100	2	2012-		0.9	MR8A19	7692			
M 1100 Sno-Pro LTD	M	1100	2	2012-2013		0.9	MR8A19	7692			
M 1100 Turbo	M	1100	2	2012-2013		0.9	MR8A19	7692			
M 1100 Turbo High Country	M	1100	2	2012-2013		0.9	MR8A19	7692			
M 1100 Turbo Sno-Pro	M	1100	2	2012-2013		0.9	MR8A19	7692			
M 1100 Turbo Sno-Pro 50th Anniversary	M	1100	2	2012-		0.9	MR8A19	7692			
M 1100 Turbo Sno-Pro LTD	M	1100	2	2012-2013		0.9	MR8A19	7692			
M 9000 HCR Turbo	M	1100	2	2014-		0.9	MR8A19	7692			
M 9000 Sno-Pro LTD Turbo	M	1100	2	2014-		0.9	MR8A19	7692			
M 9000 Sno-Pro Turbo	M	1100	2	2014-		0.9	MR8A19	7692			
M 9000 Turbo	M	1100	2	2014-		0.9	MR8A19	7692			
TZ1 Park Version	T	1100	2	2009-2009		0.9	MR8A19	7692			
TZ1 Touring	T	1100	2	2008-2014		0.9	MR8A19	7692			
TZ1 Touring LXR	T	1100	2	2008-2014		0.9	MR8A19	7692			
TZ1 Turbo LXR	T	1100	2	2009-2014		0.9	MR8A19	7692			
TZ1 Turbo LXR LE	T	1100	2	2009-2010		0.9	MR8A19	7692			
XF 1100 CrossTour	XF	1100	2	2013-		0.9	MR8A19	7692			
XF 1100 LXR	XF	1100	2	2012-2013		0.9	MR8A19	7692			
XF 1100 SnoPro	XF	1100	2	2012-2013		0.9	MR8A19	7692			
XF 1100 SnoPro 50th Anniversary	XF	1100	2	2012-		0.9	MR8A19	7692			
XF 1100 SnoPro LTD	XF	1100	2	2012-2013		0.9	MR8A19	7692			
XF 1100 Turbo Cross-Tour	XF	1100	2	2013-		0.9	MR8A19	7692			
XF 1100 Turbo LXR	XF	1100	2	2012-2013		0.9	MR8A19	7692			
XF 1100 Turbo SnoPro	XF	1100	2	2012-2013		0.9	MR8A19	7692			

* Bitte Elektrodenabstand nach Angaben des Herstellers justieren

* Please adjust the ground electrode gap

* Veuillez vérifier l'écartement

* Por favor, ajustar la distancia entre los electrodos

* Regolare il gap

* Iridium IX Spark Plug is the standard recommendation





Stock No.

Quick No.

Upgrade ↑

Stock No. ↑

ARCTIC CAT

XF 1100 Turbo Sno-Pro 50th Anniversary	XF	1100	2	2012-		0.9	MR8A19	7692			
XF 1100 Turbo SnoPro HiCountry	XF	1100	2	2012-2013		0.9	MR8A19	7692			
XF 1100 Turbo SnoPro HiCountry LTD	XF	1100	2	2013-		0.9	MR8A19	7692			
XF 1100 Turbo SnoPro LTD	XF	1100	2	2012-2013		0.9	MR8A19	7692			
XF 9000 CrossTour	XF	1100	2	2014-		0.9	MR8A19	7692			
XF 9000 High Country Sno-Pro	XF	1100	2	2014-		0.9	MR8A19	7692			
XF 9000 High Country Sno-Pro LTD	XF	1100	2	2014-		0.9	MR8A19	7692			
XF 9000 LXR	XF	1100	2	2014-		0.9	MR8A19	7692			
XF 9000 Sno-Pro	XF	1100	2	2014-		0.9	MR8A19	7692			
XF 9000 Sno-Pro Cross Country	XF	1100	2	2014-		0.9	MR8A19	7692			
XF 9000 Sno-Pro LTD	XF	1100	2	2014-		0.9	MR8A19	7692			
XF 9000 Sno-Pro LTD 137 Early Build	XF	1100	2	2015-		0.9	MR8A19	7692			
Z1 EFI	Z	1100	2	2009-2010		0.9	MR8A19	7692			
Z1 EFI LXR	Z	1100	2	2010-2011		0.9	MR8A19	7692			
Z1 Sno-Pro	Z	1100	2	2011-		0.9	MR8A19	7692			
Z1 Turbo	Z	1100	2	2009-2010		0.9	MR8A19	7692			
Z1 Turbo EXT	Z	1100	2	2010-2011		0.9	MR8A19	7692			
Z1 Turbo EXT LE	Z	1100	2	2010-		0.9	MR8A19	7692			
Z1 Turbo EXT Sno-Pro	Z	1100	2	2010-		0.9	MR8A19	7692			
Z1 Turbo LE	Z	1100	2	2009-2009		0.9	MR8A19	7692			
Z1 Turbo LXR	Z	1100	2	2009-2011		0.9	MR8A19	7692			
Z1 Turbo Sno-Pro	Z	1100	2	2009-2011		0.9	MR8A19	7692			
Z1 Turbo Sno-Pro LE	Z	1100	2	2010-		0.9	MR8A19	7692			
Z1 Turbo Sno-Pro LTD	Z	1100	2	2011-		0.9	MR8A19	7692			
ZR 5000 LXR	ZR	1100	2	2014-		0.9	MR8A19	7692			
ZR 5000 LXR Early build	ZR	1100	2	2015-		0.9	MR8A19	7692			
ZR 9000 EL Tigre early Build	ZR	1100	2	2015-		0.9	MR8A19	7692			
ZR 9000 Sno-Pro LTD Turbo	ZR	1100	2	2014-		0.9	MR8A19	7692			
ZR 9000 Sno-Pro RR Turbo	ZR	1100	2	2014-		0.9	MR8A19	7692			
ZR 9000 Sno-Pro Turbo	ZR	1100	2	2014-		0.9	MR8A19	7692			
ZR 9000 Turbo LXR	ZR	1100	2	2014-		0.9	MR8A19	7692			

BLADE

1W-X		600		2002-	3089(US) GAP 0,028"	*	BR9EIX**	3981			
6X2		600		2001-	3089(US) GAP 0,028"	*	BR9EIX**	3981			
STRIKER X		600		2002-	3089(US) GAP 0,028"	*	BR9EIX**	3981			
1W-X		700		2002-	3089(US) GAP 0,028"	*	BR9EIX**	3981			
7X2		700		2000-2001	3089(US) GAP 0,028"	*	BR9EIX**	3981			
HYLANDER X		700		2002-	3089(US) GAP 0,028"	*	BR9EIX**	3981			
STRIKER X		700		2002-	3089(US) GAP 0,028"	*	BR9EIX**	3981			
1W-X		800		2002-	3089(US) GAP 0,028"	*	BR9EIX**	3981			
8X2		800		2001-	3089(US) GAP 0,028"	*	BR9EIX**	3981			

*Bitte Elektrodenabstand nach Angaben des Herstellers justieren

*Please adjust the ground electrode gap

*Veuillez vérifier l'écartement

* Por favor, ajustar la distancia entre los electrodos

*Regolare il gap

** Iridium IX Spark Plug is the standard recommendation





Stock No.

Quick No.

Upgrade ↑

Stock No. ↑

BLADE

HYLANDER X		800	2002-	3089(US) GAP 0,028"	*	BR9EIX**	3981			
STRIKER X		800	2002-	3089(US) GAP 0,028"	*	BR9EIX**	3981			

BOLENS

292		292	-		0.6	B8HS	5510		BR8HIX	7001
295		292	-		0.6	B8HS	5510		BR8HIX	7001
R295		292	-		0.6	B8HS	5510		BR8HIX	7001
315		310	-		0.6	B8HS	5510		BR8HIX	7001
340		336	-		0.6	B8HS	5510		BR8HIX	7001
R340		336	-		0.6	B8HS	5510		BR8HIX	7001
399		396	-		0.6	B8HS	5510		BR8HIX	7001
R399		396	-		0.6	B8HS	5510		BR8HIX	7001
440		438	-		0.6	B8HS	5510		BR8HIX	7001
R440		438	-		0.6	B8HS	5510		BR8HIX	7001

BOMBARDIER

Mini Z			-	ROTAX	0.7	BPR6ES	7822		BPR6EIX	6637	
250		247	-	ROTAX 14hp	0.5	AB-7	3010				
250		247	-	ROTAX 12hp	0.5	AB-6	2910				
250 Deluxe		247	-	ROTAX	0.5	B7HS	5110		BR7HIX	7067	
250 E		247	-	ROTAX	0.5	AB-7	3010				
250 M		247	-	BSE	0.6	B7HS	5110		BR7HIX	7067	
250 SS		247	-	ROTAX	0.5	B8HS	5510		BR8HIX	7001	
250T		247	-	ROTAX	0.5	B7HS	5110		BR7HIX	7067	
RV250		247	2	-	ROTAX	0.5	B8ES	2411	Q201	BR8EIX	5044
TNT		247	-	ROTAX	0.5	B8ES	2411	Q201	BR8EIX	5044	
253 Safari Citation/E		248	1	-	ROTAX	0.5	BR9ES	5722		BR9EIX	3981
247 Elan		250	-	ROTAX	0.5	AB-7	3010				
247 Spirit		250	-	ROTAX	0.5	AB-7	3010				
253 Citation L/S		253	-	ROTAX	0.5	BR9ES	5722		BR9EIX	3981	
253 Citation L/S Elec.		253	-	ROTAX	0.5	BR9ES	5722		BR9EIX	3981	
253 Tundra		253	1	-	ROTAX	0.5	BR9ES	5722		BR9EIX	3981
253 Tundra-LT		253	1	-	ROTAX	0.5	BR9ES	5722		BR9EIX	3981
277 Citation 3500		269	1	-1981	ROTAX	0.5	B8ES	2411	Q201	BR8EIX	5044
277 Citation 3500		269	1	1982-1983	ROTAX	0.5	BR8ES	5422	Q207	BR8EIX	5044
277 Mirage I		269	1	-1981	ROTAX	0.5	B8ES	2411	Q201	BR8EIX	5044
277 Mirage I		269	1	1981-1983	ROTAX	0.5	BR8ES	5422	Q207	BR8EIX	5044
277 Scandic		269	-	1982-1983	ROTAX	0.5	BR8ES	5422	Q207	BR8EIX	5044
Tundra 280F		280	-	ROTAX	0.5	BR9ES	5722		BR9EIX	3981	
TNT 292		292	2	-	ROTAX	0.5	AB-8	7909			
TNT 294		292	2	-	ROTAX	0.5	B8HS	5510		BR8HIX	7001
TNT300SM		292	2	-	ROTAX	0.5	B8HS	5510		BR8HIX	7001
296		294	-	BSE	0.6	B8HS	5510		BR8HIX	7001	
300 Citation		294	-	ROTAX	0.5	B8HS	5510		BR8HIX	7001	
300 E		294	-	ROTAX	0.5	B8HS	5510		BR8HIX	7001	
300 Olym.		294	-	ROTAX	0.5	B8HS	5510		BR8HIX	7001	
300 SS		294	-	ROTAX	0.5	B8HS	5510		BR8HIX	7001	
300		299	-	ROTAX 12hp	0.5	AB-6	2910				
300		299	-	ROTAX 16hp	0.5	AB-7	3010				
300 S		299	-	ROTAX	0.5	AB-7	3010				
320 E		318	-	ROTAX	0.5	AB-7	3010				
320 SS		318	-	ROTAX	0.5	AB-8	7909				

*Bitte Elektrodenabstand nach Angaben des Herstellers justieren

*Please adjust the ground electrode gap

*Veuillez vérifier l'écartement

* Por favor, ajustar la distancia entre los electrodos

*Regolare il gap

* Iridium IX Spark Plug is the standard recommendation





Stock No.

Quick No.

Upgrade ↑

Stock No. ↑

BOMBARDIER

420		318		-	ROTAX	0.5	AB-7	3010			
335, 335 E		335		-	ROTAX	0.5	AB-7	3010			
340 SS		336		-	14mm Thread Size / 12,7mm Thread Reach BSE	0.6	B7HS	5110		BR7HIX	7067
340 SS		336		-	14mm Thread Size / 19mm Thread Reach BSE	0.6	B8ES	2411	Q201	BR8EIX	5044
340 T		336		-	14mm Thread Size / 12,7mm Thread Reach BSE	0.6	B7HS	5110		BR7HIX	7067
340 T		336		-	14mm Thread Size / 19mm Thread Reach BSE	0.6	B8ES	2411	Q201	BR8EIX	5044
RV 340		337	2	-	ROTAX	*	BR10EIX**	6801			
Sonic 340		337		-	ROTAX	*	BR10EIX**	6801			
TNT		337		-	ROTAX	*	BR10EIX**	6801			
TNT 340		337	2	-	ROTAX	0.5	B8HS	5510		BR8HIX	7001
TNT 340 SE		337	2	-	ROTAX	0.5	B8HS	5510		BR8HIX	7001
340		339		-	ROTAX	0.5	B8HS	5510		BR8HIX	7001
340		339		-	ROTAX	0.5	B9HS	5810		BR9HIX	5687
340 E		339		-	ROTAX	0.5	B8HS	5510		BR8HIX	7001
340 E Olym.Ever		339	2	-	ROTAX	0.5	B9HS	5810		BR9HIX	5687
340 SS		339		-	ROTAX	0.5	AB-8	7909			
354 Blizzard 6500		339	3	-	ROTAX	*	BR10EIX**	6801			
354 Blizzard 7500		339	2	-	ROTAX	*	BR10EIX**	6801			
354 Blizzard 7500-Plus		339	2	-	ROTAX	*	BR10EIX**	6801			
354 Super Sonic/LC		339		-	ROTAX	*	BR10EIX**	6801			
Nuvik 1979		339		-	ROTAX	0.5	B9HS	5810		BR9HIX	5687
TN T340 Free Air		339		-	ROTAX	0.5	B9ES	2611	Q202	BR9EIX	3981
TNT 340 SM		339	2	-	ROTAX	0.5	B8HS	5510		BR8HIX	7001
370		368		-	ROTAX	0.5	B7HS	5110		BR7HIX	7067
377 Citation 300		368	2	1982-	ROTAX	0.5	BR8ES	5422	Q207	BR8EIX	5044
377 Citation 4500		368	2	1981-	ROTAX	0.5	B8ES	2411	Q201	BR8EIX	5044
377 Citation 4500		368	2	1982-1983	ROTAX	0.5	BR8ES	5422	Q207	BR8EIX	5044
377 Citation 4500E		368	2	1981-	ROTAX	0.5	B8ES	2411	Q201	BR8EIX	5044
377 Citation 4500E		368	2	1982-1983	ROTAX	0.5	BR8ES	5422	Q207	BR8EIX	5044
377 Citation 4500SS		368	2	1982-1983	ROTAX	0.5	BR8ES	5422	Q207	BR8EIX	5044
377 Futura 300		368		1983-	ROTAX	0.5	BR8ES	5422	Q207	BR8EIX	5044
377 Mirage II		368	2	1982-1983	ROTAX	0.5	BR8ES	5422	Q207	BR8EIX	5044
377 Mirage II E		368	2	1982-1983	ROTAX	0.5	BR8ES	5422	Q207	BR8EIX	5044
377 Mirage II Special		368	2	1982-	ROTAX	0.5	BR8ES	5422	Q207	BR8EIX	5044
377 Nordic		368	2	1982-1983	ROTAX	0.5	BR8ES	5422	Q207	BR8EIX	5044
377 Safari Saga		368	2	-	ROTAX	0.5	BR9ES	5722		BR9EIX	3981
377 Safari Scout		368	2	-	ROTAX	0.5	BR9ES	5722		BR9EIX	3981
377 Safari Scout E		368	2	-	ROTAX	0.5	BR9ES	5722		BR9EIX	3981
377 Skandic		368	2	1983-1984	ROTAX	0.5	BR8ES	5422	Q207	BR8EIX	5044
371		369		-	ROTAX	0.5	B7HS	5110		BR7HIX	7067
377 Formula S		377		-	ROTAX	0.5	BR9ES	5722		BR9EIX	3981
377 Mirage III		377	2	-	ROTAX	0.5	BR9ES	5722		BR9EIX	3981
377 Safari		377	2	-	ROTAX	0.5	BR9ES	5722		BR9EIX	3981
377 Safari-E		377	2	-	ROTAX	0.5	BR9ES	5722		BR9EIX	3981
377 Skandic		377	2	1985-	ROTAX	0.5	BR8ES	5422	Q207	BR8EIX	5044
377 Skandic R		377	2	1985-	ROTAX	0.5	BR8ES	5422	Q207	BR8EIX	5044
377 Touring E		377		-	ROTAX	0.4	BR9ES	5722		BR9EIX	3981
377 Touring ELT		377		-	ROTAX	0.4	BR9ES	5722		BR9EIX	3981

*Bitte Elektrodenabstand nach Angaben des Herstellers justieren

*Please adjust the ground electrode gap

*Veuillez vérifier l'écartement

* Por favor, ajustar la distancia entre los electrodos

*Regolare il gap

** Iridium IX Spark Plug is the standard recommendation





Stock No.

Quick No.

Upgrade ↑

Stock No. ↑

BOMBARDIER

380 Scandic 380		380	-	ROTAX	0.4	BR9ES	5722		BR9EIX	3981	
Legend Fan 380F		380	-	ROTAX	0.5	BR9ES	5722		BR9EIX	3981	
Legend GT 380F		380	-	ROTAX	0.5	BR9ES	5722		BR9EIX	3981	
MX Z Fan		380	-	ROTAX	0.5	BR9ES	5722		BR9EIX	3981	
339		399	-	BSE	0.6	B8ES	2411	Q201	BR8EIX	5044	
399		399	-	ROTAX	0.5	B8HS	5510		BR8HIX	7001	
400		399	-	ROTAX	0.5	B8HS	5510		BR8HIX	7001	
400		399	1979-	ROTAX	0.5	B8HS	5510		BR8HIX	7001	
400E		399	-	ROTAX	0.5	B8HS	5510		BR8HIX	7001	
400E Futura		399	1979-	ROTAX	0.5	B8HS	5510		BR8HIX	7001	
TNT 399		399	-	ROTAX	0.5	B8HS	5510		BR8HIX	7001	
TNT 400 Free Air		399	2	-	ROTAX	0.5	B10ES	7928	BR10EIX	6801	
440 SS		435	-	14mm Thread Size / 12,7mm Thread Reach BSE	0.6	B7HS	5110		BR7HIX	7067	
440 SS		435	-	14mm Thread Size / 19mm Thread Reach BSE	0.6	B8ES	2411	Q201	BR8EIX	5044	
440 T		435	-	14mm Thread Size / 12,7mm Thread Reach BSE	0.6	B7HS	5110		BR7HIX	7067	
440 T		435	-	14mm Thread Size / 19mm Thread Reach BSE	0.6	B8ES	2411	Q201	BR8EIX	5044	
440 MX-Z 440		436	-	ROTAX	0.4	BR9ES	5722		BR9EIX	3981	
440 MX-Z 440F		436	-	ROTAX	0.4	BR9ES	5722		BR9EIX	3981	
444 Elite		436	2	-	ROTAX	0.5	B8ES	2411	Q201	BR8EIX	5044
444 LC Everest		436	2	1977-	ROTAX	0.5	B8ES	2411	Q201	BR8EIX	5044
444 LC Futura		436	-	ROTAX	0.5	B8ES	2411	Q201	BR8EIX	5044	
439		437	-	BSE	0.6	B8ES	2411	Q201	BR8EIX	5044	
440		437	-	ROTAX	0.5	AB-8	7909				
440E		437	-	ROTAX	0.5	AB-8	7909				
440 ER		437	-	ROTAX	0.5	AB-7	3010				
440R		437	-	ROTAX	0.5	AB-7	3010				
447 Grand Luxe		437	-	ROTAX	0.5	BR8ES	5422	Q207	BR8EIX	5044	
447 Nordic 50		437	2	-	ROTAX	0.5	BR9ES	5722		BR9EIX	3981
447 Safari 447		437	2	-	ROTAX	0.5	BR8ES	5422	Q207	BR8EIX	5044
454 Blizzard 9500		437	2	-	ROTAX	*	BR10EIX**	6801			
454 Blizzard 9500 Plus		437	2	-	ROTAX	*	BR10EIX**	6801			
Olympique Plus		437	2	-	ROTAX	0.5	AB-7	3010			
TNT 440		437	2	-	ROTAX	0.5	AB-8	7909			
TNT 440 Free Air		437	2	-	18mm Thread Size / 12mm Thread Reach ROTAX	0.5	AB-7	3010			
TNT 440 Free Air		437	2	-	14mm Thread Size / 19mm Thread Reach ROTAX	0.5	B9ES	2611	Q202	BR9EIX	3981
TNT 440SE		437	2	-	ROTAX	0.5	AB-8	7909			
TNT 440SM		437	2	-	ROTAX	0.5	AB-8	7909			
440 Touring LE		440	-	ROTAX	0.4	BR9ES	5722		BR9EIX	3981	
MX Zx Racing 440		440	-	ROTAX	0.5	BR9ECS	4677		BR9ECSIX	5438	
Skandic LT(E) 440F		440	2	-	ROTAX	0.5	BR9ES	5722		BR9EIX	3981
Skandic LT 440F		440	2	-	ROTAX	0.5	BR9ES	5722		BR9EIX	3981
443 Touring LE		443	-	ROTAX	0.5	BR9ES	5722		BR9EIX	3981	
447		447	1986-	ROTAX	0.5	BR9ES	5722		BR9EIX	3981	
447 Safari		447	2	1986-	ROTAX	0.5	BR9ES	5722		BR9EIX	3981
454 MXZ 440		454	-	ROTAX	0.5	BR9ES	5722		BR9EIX	3981	
454 Ultra Sonic		463	-	ROTAX	*	BR10EIX**	6801				

*Bitte Elektrodenabstand nach Angaben des Herstellers justieren

*Please adjust the ground electrode gap

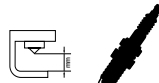
*Veuillez vérifier l'écartement

* Por favor, ajustar la distancia entre los electrodos

*Regolare il gap

* Iridium IX Spark Plug is the standard recommendation





Stock No.

Quick No.

Upgrade ↑

Stock No. ↑

BOMBARDIER

462 SP		463		-	ROTAX	0.5	BR8ES	5422	Q207	BR8EIX	5044
462 SS		463		-	ROTAX	0.5	BR8ES	5422	Q207	BR8EIX	5044
462 SS25		463		-	ROTAX	0.5	BR8ES	5422	Q207	BR8EIX	5044
464 Elite		463	2	-1981	ROTAX	0.5	B8ES	2411	Q201	BR8EIX	5044
464 Elite		463	2	1982-1983	ROTAX	0.5	BR8ES	5422	Q207	BR8EIX	5044
464 Everest LC		463	2	-1981	ROTAX	0.5	B8ES	2411	Q201	BR8EIX	5044
464 Everest LC		463	2	1982-1983	ROTAX	0.5	BR8ES	5422	Q207	BR8EIX	5044
464 Futura LC		463		-1981	ROTAX	0.5	B8ES	2411	Q201	BR8EIX	5044
464 Futura LC		463		1982-1983	ROTAX	0.5	BR8ES	5422	Q207	BR8EIX	5044
494 Formula SLS		494	2	-	ROTAX	0.5	BR9ES	5722		BR9EIX	3981
494 Skandic WT LC		494	2	-	ROTAX	0.5	BR8ES	5422	Q207	BR8EIX	5044
494 Summit 500		494		-	ROTAX	0.5	BR9ES	5722		BR9EIX	3981
467 Formula LT		496	2	-	ROTAX	0.5	BR9ES	5722		BR9EIX	3981
467 Formula MX		496	2	-	ROTAX	0.5	BR9ES	5722		BR9EIX	3981
503 Alpine II		496	2	-	ROTAX	0.5	BR8ES	5422	Q207	BR8EIX	5044
503 Escapade		496	2	-	ROTAX	0.5	BR9ES	5722		BR9EIX	3981
503 Nordic 60		496	2	-	ROTAX	0.5	BR9ES	5722		BR9EIX	3981
503 Safari 503R		496	2	-	ROTAX	0.5	BR9ES	5722		BR9EIX	3981
503 Alpine		497	2	1983-1986	ROTAX	0.5	BR7ES	5122		BR7EIX	6664
503 Blizzard 5500		497	2	1981-	ROTAX	0.5	BR8ES	5422	Q207	BR8EIX	5044
503 Blizzard 5500MX		497	2	1982-1983	ROTAX	0.5	BR7ES	5122		BR7EIX	6664
503 Blizzard MX		497	2	1984-	ROTAX	0.5	BR8ES	5422	Q207	BR8EIX	5044
503 Everest 500		497	2	1981-	ROTAX	0.5	BR8ES	5422	Q207	BR8EIX	5044
503 Everest 500		497	2	1984-1985	ROTAX	0.5	BR7ES	5122		BR7EIX	6664
503 Everest 500-E		497	2	1981-	ROTAX	0.5	BR8ES	5422	Q207	BR8EIX	5044
503 Futura 500		497		1982-1983	ROTAX	0.5	BR7ES	5122		BR7EIX	6664
503 Futura 500-E		497		1982-1983	ROTAX	0.5	BR7ES	5122		BR7EIX	6664
503 Grand Prix Spec.		497		1982-	ROTAX	0.5	BR7ES	5122		BR7EIX	6664
503 Safari Cheyenne		497	2	-	ROTAX	0.5	BR9ES	5722		BR9EIX	3981
503 Safari Escapade		497	2	-	ROTAX	0.5	BR9ES	5722		BR9EIX	3981
503 Safari Voyageur		497	2	-	ROTAX	0.5	BR9ES	5722		BR9EIX	3981
503 Sonic MX		497		1983-	ROTAX	0.5	BR7ES	5122		BR7EIX	6664
500 GT 500		500		-	ROTAX	0.4	BR9ES	5722		BR9EIX	3981
500 Scandic 500		500		-	ROTAX	0.4	BR9ES	5722		BR9EIX	3981
GSX Sport 1+1 500 SS		500		-	ROTAX	0.5	BR9ECS	3570		BR9ECSIX	5438
GSX Sport 500 SS		500		-	ROTAX	0.5	BR9ECS	3570		BR9ECSIX	5438
Legend Sport 500 SS		500		-	ROTAX	0.5	BR9ECS	3570		BR9ECSIX	5438
Legend Sport GT 500 SS		500		-	ROTAX	0.5	BR9ECS	3570		BR9ECSIX	5438
MX Z Adrenaline 500 SS		500		-	ROTAX	0.5	BR9ECS	3570		BR9ECSIX	5438
MX Z Adrenaline 500 SS (E)		500		-	ROTAX	0.5	BR9ECS	3570		BR9ECSIX	5438
MX Z Trail 500 SS		500		-	ROTAX	0.5	BR9ECS	4677		BR9ECSIX	5438
MX Z Trail 500 SS (E)		500		-	ROTAX	0.5	BR9ECS	4677		BR9ECSIX	5438
503 Formula SL		503	2	-	ROTAX	0.5	BR9ES	5722		BR9EIX	3981
503 Skandic SWT		503	2	-	ROTAX	0.5	BR8ES	5422	Q207	BR8EIX	5044
503 Skandic WT503R		503	2	-	ROTAX	0.5	BR9ES	5722		BR9EIX	3981
503 Summit 500		503		-	ROTAX	0.5	BR9ES	5722		BR9EIX	3981
503 Touring SLE		503		-	ROTAX	0.5	BR9ES	5722		BR9EIX	3981
534 Blizzasd 9700		521	2	-1983	ROTAX	0.5	BR8ES	5422	Q207	BR8EIX	5044
536 Formula LT		521	2	-	ROTAX	0.5	BR9ES	5722		BR9EIX	3981
536 Formula Plus		521	2	-	ROTAX	0.5	BR9ES	5722		BR9EIX	3981
537 Formula Plus		537	2	-	ROTAX	0.5	BR9ES	5722		BR9EIX	3981

*Bitte Elektrodenabstand nach Angaben des Herstellers justieren

*Please adjust the ground electrode gap

*Veuillez vérifier l'écartement

* Por favor, ajustar la distancia entre los electrodos

*Regolare il gap

** Iridium IX Spark Plug is the standard recommendation





Stock No.

Quick No.

Upgrade ↑

Stock No. ↑

BOMBARDIER

Legend Fan 550F		550	-	ROTAX	0.5	BR9ES	5722		BR9EIX	3981
Legend GT 550F		550	-	ROTAX	0.5	BR9ES	5722		BR9EIX	3981
MX Z Fan 550F		550	-	ROTAX	0.5	BR9ES	5722		BR9EIX	3981
Skandic Sport 550F		550	-	ROTAX	0.5	BR9ES	5722		BR9EIX	3981
Skandic SUV 550F		550	-	ROTAX	0.5	BR9ES	5722		BR9EIX	3981
Skandic SWT 550F		550	-	ROTAX	0.5	BR9ES	5722		BR9EIX	3981
Skandic WT 550F		550	-	ROTAX	0.5	BR9ES	5722		BR9EIX	3981
Summit Fan 550F		550	-	ROTAX	0.5	BR9ES	5722		BR9EIX	3981
583 Formula Mach I		581	2	-	ROTAX	0.5	BR9ES	5722	BR9EIX	3981
582 GT 582		582		-	ROTAX	0.4	BR9ES	5722	BR9EIX	3981
583 Formula STX 583		583	2	-	ROTAX	0.5	BR9ES	5722	BR9EIX	3981
583 Formula STXL 583		583	2	-	ROTAX	0.5	BR9ES	5722	BR9EIX	3981
583 Formula STXLT 583		583	2	-	ROTAX	0.5	BR9ES	5722	BR9EIX	3981
583 Formula Z 583		583	2	-	ROTAX	0.5	BR9ES	5722	BR9EIX	3981
583 GT 583		583		-	ROTAX	0.5	BR9ES	5722	BR9EIX	3981
583 MX-Z 583		583		-	ROTAX	0.5	BR9ES	5722	BR9EIX	3981
583 MX-Z LI 583		583		-	ROTAX	0.5	BR9ES	5722	BR9EIX	3981
583 Summit 583		583		-	ROTAX	0.5	BR9ES	5722	BR9EIX	3981
599 Formula III LT		599	2	-	ROTAX	0.5	BR10ES	4832	BR10EIX	6801
600 Formula III		600	2	-	ROTAX	0.5	BR10ES	4832	BR10EIX	6801
GSX Limited 600 HO SDI		600		-	ROTAX	0.8	BR9ECS	3570	BR9ECSIX	5438
GSX LTD 1+1 600 HO SDI		600		-	ROTAX	0.8	BR9ECS	3570	BR9ECSIX	5438
GSX Sport 1+1 600 HO		600		-	ROTAX	0.5	BR9ECS	3570	BR9ECSIX	5438
GSX Sport 1+1 600HO SDI		600		-	ROTAX	0.8	BR9ECS	3570	BR9ECSIX	5438
GSX Sport 600 HO		600		-	ROTAX	0.5	BR9ECS	3570	BR9ECSIX	5438
GSX Sport 600 HO SDI		600		-	ROTAX	0.8	BR9ECS	3570	BR9ECSIX	5438
Legend SE 600 HO SDI		600		-	ROTAX	0.5	BR9ECS	3570	BR9ECSIX	5438
Legend SE GT 600 HO SDI		600		-	ROTAX	0.5	BR9ECS	3570	BR9ECSIX	5438
Legend Sport 600 HO SDI		600		-	ROTAX	0.5	BR9ECS	3570	BR9ECSIX	5438
Legend Sport GT 600 HO SDI		600		-	ROTAX	0.5	BR9ECS	3570	BR9ECSIX	5438
MX Z Adrenaline 600 HO		600		-	ROTAX	0.5	BR9ECS	3570	BR9ECSIX	5438
MX Z Adrenaline 600 HO (E)		600		-	ROTAX	0.5	BR9ECS	3570	BR9ECSIX	5438
MX Z Adrenaline 600 HO SDI		600		-	ROTAX	0.8	BR9ECS	3570	BR9ECSIX	5438
MX Z Adrenaline 600 HO SDI (E)		600		-	ROTAX	0.8	BR9ECS	3570	BR9ECSIX	5438
MX Z Rene. X 600 HO SDI (E)		600		-	ROTAX	0.8	BR9ECS	3570	BR9ECSIX	5438
MX Z Renegade 600 HO		600		-	ROTAX	0.5	BR9ECS	3570	BR9ECSIX	5438
MX Z Renegade 600 HO (E)		600		-	ROTAX	0.5	BR9ECS	3570	BR9ECSIX	5438
MX Z Renegade X 600 HO		600		-	ROTAX	0.5	BR9ECS	3570	BR9ECSIX	5438
MX Z Renegade X 600 HO (E)		600		-	ROTAX	0.5	BR9ECS	3570	BR9ECSIX	5438
MX Z Renegade X 600 HO SDI		600		-	ROTAX	0.8	BR9ECS	3570	BR9ECSIX	5438
MX Z Trail 600 HO		600		-	ROTAX	0.5	BR9ECS	3570	BR9ECSIX	5438
MX Z Trail 600 HO (E)		600		-	ROTAX	0.5	BR9ECS	3570	BR9ECSIX	5438
MX Z X 600 HO		600		-	ROTAX	0.5	BR9ECS	3570	BR9ECSIX	5438
MX Z X 600 HO (E)		600		-	ROTAX	0.5	BR9ECS	3570	BR9ECSIX	5438
MX Z X 600 HO SDI		600		-	ROTAX	0.8	BR9ECS	3570	BR9ECSIX	5438

* Bitte Elektrodenabstand nach Angaben des Herstellers justieren

* Please adjust the ground electrode gap

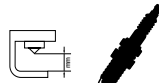
* Veuillez vérifier l'écartement

* Por favor, ajustar la distancia entre los electrodos

* Regolare il gap

* Iridium IX Spark Plug is the standard recommendation





Stock No.

Quick No.

Upgrade ↑

Stock No. ↑

BOMBARDIER

MX Z X 600 HO SDI (E)	600	-	ROTAX	0.8	BR9ECS	3570	BR9ECSIX	5438
Skandic SUV 600	600	-	ROTAX	0.5	BR9ECS	3570	BR9ECSIX	5438
Skandic WT LC 600	600	-	ROTAX	0.5	BR9ECS	3570	BR9ECSIX	5438
Summit Adrenaline 600 HO	600	-	ROTAX	0.5	BR9ECS	3570	BR9ECSIX	5438
Summit X 600 HO	600	-	ROTAX	0.5	BR9ECS	3570	BR9ECSIX	5438
640, 640ER	635	-	ROTAX	0.5	AB-7	3010		
640 ER Alpine	635	2	ROTAX	0.5	B7HS	5110	BR7HIX	7067
TNT 640	635	-	ROTAX	0.5	AB-7	3010		
TNT 669	669	-	ROTAX	0.5	AB-7	3010		
670 Formula SS	670	-	ROTAX	0.5	BR9ES	5722	BR9EIX	3981
670 GT SE670	670	-	ROTAX	0.5	BR9ES	5722	BR9EIX	3981
670 Mach 1	670	-	ROTAX	0.5	BR10ES	4832	BR10EIX	6801
670 Summit 670	670	-	ROTAX	0.5	BR9ES	5722	BR9EIX	3981
699 GT SE	699	-	ROTAX	0.4	BR10ES	4832	BR10EIX	6801
699 Mach 1	699	-	ROTAX	0.4	BR10ES	4832	BR10EIX	6801
Legend SE 700	700	-	ROTAX	0.5	BR9ECS	3570	BR9ECSIX	5438
Legend SE GT 700	700	-	ROTAX	0.5	BR9ECS	3570	BR9ECSIX	5438
Legend Sport 700	700	-	ROTAX	0.5	BR9ECS	3570	BR9ECSIX	5438
Legend Sport GT 700	700	-	ROTAX	0.5	BR9ECS	3570	BR9ECSIX	5438
TNT775	771	-	ROTAX	0.5	AB-8	7909		
779 Mach Z/ZLT	779	-	ROTAX	0.5	BR10ES	4832	BR10EIX	6801
GSX Limited 1+1 800 HO	800	-	ROTAX	0.5	BR9ECS	3570	BR9ECSIX	5438
GSX Limited 800 HO	800	-	ROTAX	0.5	BR9ECS	3570	BR9ECSIX	5438
Legend SE 800 SDI	800	-	ROTAX	0.8	BR9ECS	3570	BR9ECSIX	5438
Legend SE GT 800 SDI	800	-	ROTAX	0.8	BR9ECS	3570	BR9ECSIX	5438
MX Z Adrenaline 800 (E)	800	-	ROTAX	0.5	BR9ECS	3570	BR9ECSIX	5438
MX Z Adrenaline 800 HO	800	-	ROTAX	0.5	BR9ECS	3570	BR9ECSIX	5438
MX Z Renegade 800 (E)	800	-	ROTAX	0.5	BR9ECS	3570	BR9ECSIX	5438
MX Z Renegade 800 HO	800	-	ROTAX	0.5	BR9ECS	3570	BR9ECSIX	5438
MX Z Renegade X 800 HO	800	-	ROTAX	0.5	BR9ECS	3570	BR9ECSIX	5438
MX Z X 800 HO	800	-	ROTAX	0.5	BR9ECS	3570	BR9ECSIX	5438
MX Z X 800 HO (E)	800	-	ROTAX	0.5	BR9ECS	3570	BR9ECSIX	5438
MX Z X Reneg. 800 HO (E)	800	-	ROTAX	0.5	BR9ECS	3570	BR9ECSIX	5438
Summit Adrenalin 800 HO	800	-	ROTAX	0.5	BR9ECS	3570	BR9ECSIX	5438
Summit HM 800 HO	800	-	ROTAX	0.5	BR9ECS	3570	BR9ECSIX	5438
Summit HM X 800 HO	800	-	ROTAX	0.5	BR9ECS	3570	BR9ECSIX	5438
Summit HM Xtreme 800 HO	800	-	ROTAX	0.5	BR9ECS	3570	BR9ECSIX	5438
Summit Sport 800 HO	800	-	ROTAX	0.5	BR9ECS	3570	BR9ECSIX	5438
Summit X 800 HO	800	-	ROTAX	0.5	BR9ECS	3570	BR9ECSIX	5438
809 Mach Z	809	-	ROTAX	0.4	BR10ES	4832	BR10EIX	6801
Legend SE GT V-1000	1000	-	ROTAX	0.8	DCPR8E	4339	DCPR8EIX	6546
Legend SE V-1000	1000	-	ROTAX	0.8	DCPR8E	4339	DCPR8EIX	6546

BURAN

PM3-640	640	-	28hp	0.7	BP6ES	7811	BPR6EIX	6637
---------	-----	---	------	-----	-------	------	---------	------

CANADIAN CURTIS WRIGHT

KEC 248	248	-		0.6	AB-7	3010		
---------	-----	---	--	-----	------	------	--	--

*Bitte Elektrodenabstand nach Angaben des Herstellers justieren

*Please adjust the ground electrode gap

*Veuillez vérifier l'écartement

* Por favor, ajustar la distancia entre los electrodos

*Regolare il gap

** Iridium IX Spark Plug is the standard recommendation





Stock No.

Quick No.

Upgrade ↑

Stock No. ↑

CANADIAN CURTIS WRIGHT

KEC 290/2		290		-		0.6	B8HS	5510		BR8HIX	7001
KEC290/3		290		-		0.6	B8HS	5510		BR8HIX	7001
KEC 295RS/2		290	2	-		*	BUE	2322			
KEC 340/2		339	2	-		0.6	B8HS	5510		BR8HIX	7001
KEC 340/22A		339	2	-		0.6	B8ES	2411	Q201	BR8EIX	5044
KEC340/3		339	2	-		0.6	B8HS	5510		BR8HIX	7001
KEC 340/4		339	2	-		0.6	B8HS	5510		BR8HIX	7001
KEC 340/5		339	2	-		0.6	B8ES	2411	Q201	BR8EIX	5044
KEC 340/5A		339	2	-		0.6	B8ES	2411	Q201	BR8EIX	5044
KEC 400/2		398	2	-		0.6	B8HS	5510		BR8HIX	7001
KEC 400/21		398	2	-		0.6	B8HS	5510		BR8HIX	7001
KEC 400/22		398	2	-		0.6	B8ES	2411	Q201	BR8EIX	5044
KEC 400/22A		398	2	-		0.6	B8ES	2411	Q201	BR8EIX	5044
KEC400/3		398	2	-		0.6	B8HS	5510		BR8HIX	7001
KEC 400/4		398	2	-		0.6	B8HS	5510		BR8HIX	7001
KEC 440/21		436	2	-		0.6	B8HS	5510		BR8HIX	7001
KEC 440/22		436	2	-		0.6	B8HS	5510		BR8HIX	7001
KEC 440/22A		436	2	-		0.6	B8HS	5510		BR8HIX	7001
KEC 440/3		436	2	-		0.6	B8HS	5510		BR8HIX	7001
KEC440/4		436	2	-		0.6	B8HS	5510		BR8HIX	7001
KEC 440/5		436	2	-		0.6	B8ES	2411	Q201	BR8EIX	5044

CCW ENGINES

KEC 248		248		-		0.6	AB-7	3010			
KEC 290		290	2	-		0.6	B8HS	5510		BR8HIX	7001
KEC 290RC/2		290	2	-		*	BUE	2322			
KEC 340		340	2	-		0.6	B8HS	5510		BR8HIX	7001
KEC 340/22A		340	2	-		0.6	B8ES	2411	Q201	BR8EIX	5044
KEC 340/5		340	2	-		0.6	B8ES	2411	Q201	BR8EIX	5044
KEC 400		400	2	-		0.6	B8HS	5510		BR8HIX	7001
KEC 400/22		400	2	-		0.6	B8ES	2411	Q201	BR8EIX	5044
KEC 440		440	2	-		0.6	B8HS	5510		BR8HIX	7001
KEC 440/5		440	2	-		0.6	B8ES	2411	Q201	BR8EIX	5044

CHAPARRAL

250		242		-	XENOAH	0.5	B8ES	2411	Q201	BR8EIX	5044
295		292		-	XENOAH	0.5	BR7ES	5122		BR7EIX	6664
340		338		-	XENOAH	0.5	BR7ES	5122		BR7EIX	6664
340 SS		338		-	XENOAH	0.5	B9ES	2611	Q202	BR9EIX	3981
340 SSX		338		-	XENOAH	0.5	BR8ES	5422	Q207	BR8EIX	5044
400		394		-	14mm Thread Size / 19mm Thread Reach XENOAH	0.5	B8ES	2411	Q201	BR8EIX	5044
400		398		-	14mm Thread Size / 12,7mm Thread Reach XENOAH	0.5	B7HS	5110		BR7HIX	7067
400 SS		400		-	14mm Thread Size / 12,7mm Thread Reach XENOAH	0.5	B8HS	5510		BR8HIX	7001
400 SS		400		-	14mm Thread Size / 19mm Thread Reach XENOAH	0.5	B9ES	2611	Q202	BR9EIX	3981
440		438		-	14mm Thread Size / 12,7mm Thread Reach XENOAH	0.5	B7HS	5110		BR7HIX	7067
440		438		-	14mm Thread Size / 19mm Thread Reach XENOAH	0.5	BR7ES	5122		BR7EIX	6664
440 SSX		438		-	XENOAH	0.5	BR8ES	5422	Q207	BR8EIX	5044

*Bitte Elektrodenabstand nach Angaben des Herstellers justieren

*Please adjust the ground electrode gap

*Veuillez vérifier l'écartement

* Por favor, ajustar la distancia entre los electrodos

*Regolare il gap

* Iridium IX Spark Plug is the standard recommendation





Stock No.

Quick No.

Upgrade ↑

Stock No. ↑

CHAPARRAL

440 Racing		440		-	XENOAH	*	BR8HIX**	7001			
440 SS		440		-	14mm Thread Size / 12,7mm Thread Reach XENOAH	0.5	B8HS	5510		BR8HIX	7001
440 SS		440		-	14mm Thread Size / 19mm Thread Reach XENOAH	0.5	B9ES	2611	Q202	BR9EIX	3981
650 Racing		440		-	XENOAH	*	BR8HIX**	7001			

HIRTH

110 R		180		-		0.5	AB-7	3010			
60 R		199		-		0.5	AB-7	3010			
81 R		246	1	-		0.5	AB-7	3010			
82 R		246	1	-		0.5	AB-7	3010			
193 R		292	1	-		0.5	AB-7	3010			
261 R		292		-		0.5	B8ES	2411	Q201	BR8EIX	5044
261 R3		292		-		0.5	B8ES	2411	Q201	BR8EIX	5044
261 R4		292		-		0.5	B8ES	2411	Q201	BR8EIX	5044
56 R		292	1	-		0.5	AB-7	3010			
190		300	1	-		0.5	AB-7	3010			
191 R		300	1	-		0.5	AB-7	3010			
52 R		300		-		0.5	AB-7	3010			
53 R		300	1	-		0.5	AB-7	3010			
54 R		300	1	-		0.5	AB-7	3010			
55 R		300	1	-		0.5	AB-7	3010			
192 R		317	1	-		0.5	AB-7	3010			
194 R		338	1	-		0.5	AB-7	3010			
260 R		338		-		0.5	B8ES	2411	Q201	BR8EIX	5044
260 R3		338		-		0.5	B8ES	2411	Q201	BR8EIX	5044
260 R4		338		-		0.5	B8ES	2411	Q201	BR8EIX	5044
160 R		372	1	-		0.5	AB-7	3010			
200 R		372	1	-		0.5	AB-7	3010			
210 R		399	2	-		0.5	AB-7	3010			
271 RO		399		-		0.5	AB-7	3010			
211 R		438	2	-		0.5	AB-7	3010			
270 R		438		-		0.5	AB-7	3010			
273 R		438		-		0.5	AB-7	3010			
180 R		493	1	-		0.5	AB-7	3010			
220 R		493	2	-		0.5	AB-7	3010			
275 R		493		-		0.5	AB-7	3010			
170 R		600	2	-		0.5	AB-7	3010			
171 R		634	2	-		0.5	AB-7	3010			
231 R		647		-		0.5	B8HS	5510		BR8HIX	7001
280 R		649		-		0.5	B8ES	2411	Q201	BR8EIX	5044
172 R		650	2	-		0.5	AB-7	3010			
281 RO		650		-		0.5	B8ES	2411	Q201	BR8EIX	5044
230 R		793	3	-		0.5	B8HS	5510		BR8HIX	7001

IKAR

PM3-320		320		-	16hp	0.7	BP6ES	7811		BPR6EIX	6637
----------------	--	-----	--	---	------	-----	-------	------	--	---------	------

ILO

L 99		100	1	-		0.5	B6HS	4510		BR6HIX	3419
L152		148		-		0.5	AB-6	2910			
L197		192		-		0.5	AB-6	2910			
L 227		223	1	-		0.5	AB-7	3010			

*Bitte Elektrodenabstand nach Angaben des Herstellers justieren

*Please adjust the ground electrode gap

*Veuillez vérifier l'écartement

* Por favor, ajustar la distancia entre los electrodos

*Regolare il gap

** Iridium IX Spark Plug is the standard recommendation





Stock No.

Quick No.

Upgrade ↑

Stock No. ↑

ILO

L 230		223	1	-		0.5	AB-7	3010			
L 252		257		-		0.5	AB-6	2910			
2F 295		285		-		0.5	B8ES	2411	Q201	BR8EIX	5044
L 292		292		-		0.5	AB-7	3010			
L 295		292	1	-		0.5	AB-7	3010			
L 295/70		292	1	-		0.5	B8ES	2411	Q201	BR8EIX	5044
R 295		292	1	-		0.5	B8ES	2411	Q201	BR8EIX	5044
L 297		296	1	-		0.5	AB-7	3010			
L 300		296	1	-		0.5	AB-7	3010			
2F 340		337	2	-		0.5	B8ES	2411	Q201	BR8EIX	5044
L 340		337	1	-		0.5	AB-7	3010			
L 340/70		337	1	-		0.5	B8ES	2411	Q201	BR8EIX	5044
LR 340/2		337	2	-		0.5	B8ES	2411	Q201	BR8EIX	5044
R 340		337	1	-		0.5	B8ES	2411	Q201	BR8EIX	5044
L 372		372		-		0.5	AB-7	3010			
L 380		372		-		0.5	AB-7	3010			
L 395		396		-		0.5	AB-7	3010			
L 399/2		398		-		0.5	B8ES	2411	Q201	BR8EIX	5044
LR 399/2		398	2	-		0.5	B8ES	2411	Q201	BR8EIX	5044
LR 400/2		398	2	-		0.5	B8ES	2411	Q201	BR8EIX	5044

JOHN DEERE

KEC 295RS/2		290		-	KIORITZ	0.6	B10ES	7928		BR10EIX	6801
KEC 340/22A		339	2	-	KIORITZ	0.6	B10ES	7928		BR10EIX	6801
KEC 340/22A		339	2	-	KIORITZ	0.6	B8ES	2411	Q201	BR8EIX	5044
KEC 340/22B		339	2	-	KIORITZ	0.6	B10ES	7928		BR10EIX	6801
KEC 340/22C		339	2	-	KIORITZ	0.6	B10ES	7928		BR10EIX	6801
KEC 340/23ALC		339	2	-	KIORITZ	0.6	B10ES	7928		BR10EIX	6801
KEC 340/23BLC		339	2	-	KIORITZ	0.6	B10ES	7928		BR10EIX	6801
KEC 340/23LCL		339	2	-	KIORITZ	0.6	B10ES	7928		BR10EIX	6801
KEC 340/5A		339	2	-	KIORITZ	0.6	B8ES	2411	Q201	BR8EIX	5044
KEC 340RS/2		339	2	-	KIORITZ	0.6	B10ES	7928		BR10EIX	6801
KEC 340RS/24LC		339	2	-	KIORITZ	0.6	B10ES	7928		BR10EIX	6801
TA 340 A		339		-	KAWASAKI	0.8	BR8ES	5422	Q207	BR8EIX	5044
TA 340A-D202		339		-	KAWASAKI	0.8	BR8ES	5422	Q207	BR8EIX	5044
TA 340A-F202		339		-	KAWASAKI	0.8	BR8ES	5422	Q207	BR8EIX	5044
TB 340A-A202		339		-	KAWASAKI	0.8	BR8ES	5422	Q207	BR8EIX	5044
TB 340A-C202		339		-	KAWASAKI	0.8	BR8ES	5422	Q207	BR8EIX	5044
All 1981 Models		436		-	KAWASAKI	0.8	BR9ES	5722		BR9EIX	3981
KEC 440/22A		436	2	-	KIORITZ	0.6	B10ES	7928		BR10EIX	6801
KEC 440/22A		436	2	-	KIORITZ	0.6	B8ES	2411	Q201	BR8EIX	5044
KEC 440/22B		436	2	-	KIORITZ	0.6	B10ES	7928		BR10EIX	6801
KEC 440/22C		436	2	-	KIORITZ	0.6	B10ES	7928		BR10EIX	6801
KEC 440/23AL		436	2	-	KIORITZ	0.6	B10ES	7928		BR10EIX	6801
KEC 440/23BLC		436	2	-	KIORITZ	0.6	B10ES	7928		BR10EIX	6801
KEC 440/23LCL		436	2	-	KIORITZ	0.6	B10ES	7928		BR10EIX	6801
TA 440A		436		-	KAWASAKI	0.8	BR8ES	5422	Q207	BR8EIX	5044
TA 440A-D202		436		-	KAWASAKI	0.8	BR8ES	5422	Q207	BR8EIX	5044
TA 440A-F202		436		-	KAWASAKI	0.8	BR8ES	5422	Q207	BR8EIX	5044
TA 440B-C202		436		-	KAWASAKI	0.8	BR9ES	5722		BR9EIX	3981
TA 440B-E202		436		-	KAWASAKI	0.8	BR9ES	5722		BR9EIX	3981
TC 440A-C202		436		-	KAWASAKI	0.8	BR9ES	5722		BR9EIX	3981
TC 440A-E202		436		-	KAWASAKI	0.8	BR9ES	5722		BR9EIX	3981

*Bitte Elektrodenabstand nach Angaben des Herstellers justieren

*Please adjust the ground electrode gap

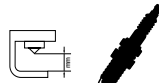
*Veuillez vérifier l'écartement

* Por favor, ajustar la distancia entre los electrodos

*Regolare il gap

* Iridium IX Spark Plug is the standard recommendation





Stock No.

Quick No.

Upgrade ↑

Stock No. ↑

KAWASAKI

TA 340A		340		-		0.8	BR8ES	5422	Q207	BR8EIX	5044
TA 340A-A201		340		-		0.8	BR8ES	3961		BR8EIX	5044
TA 340A-D201		340		-		0.8	BR8ES	3961		BR8EIX	5044
TA 340C-D203		340		-		0.7	BR9ES	3194		BR9EIX	3981
TC 340A		340		-		*	BR9EIX**	3981			
TC 340A-C201		340		-		*	BR9EIX**	3981			
TA 440A		440		-		0.8	BR8ES	5422	Q207	BR8EIX	5044
TA 440B		440		-		*	BR9EIX**	3981			
TA 440B-C201		440		-		*	BR9EIX**	3981			
TA 440C		440		-		*	BR9EIX**	3981			
TA 440C-C201		440		-		*	BR9EIX**	3981			
TA 440C-D203		440		-		*	BR9EIX**	3981			
TA 440C-D210		440		-		*	BR9EIX**	3981			
TC 440A		440		-		*	BR9EIX**	3981			
TC 440A-C201		440		-		*	BR9EIX**	3981			
TC 440C-A201		440		-		*	BR9EIX**	3981			
TC 440D-A201		440		-		*	BR9EIX**	3981			
TC 440D-A204		440		-		*	BR9EIX**	3981			
TC 530D-B201		530		-		*	BR9EIX**	3981			

KIORITZ

KEC 295RS		290	2	-		*	BUE	2322			
KEC 340/22A		339	2	-		0.6	B8ES	2411	Q201	BR8EIX	5044
KEC 340/22A		339	2	-		*	BUE	2322			
KEC 340/22B		339	2	-		*	BR10EIX**	6801			
KEC 340/23ALC		339	2	-		*	BR10EIX**	6801			
KEC 340/23BLC		339	2	-		*	BR10EIX**	6801			
KEC 340/23LC		339	2	-		*	BR10EIX**	6801			
KEC 340/5A		339	2	-		0.6	B8ES	2411	Q201	BR8EIX	5044
KEC 340RS/2		339	2	-		*	BUE	2322			
KEC 340RS/24LC		339	2	-		*	BUE	2322			
KEC 440/22A		436	2	-		*	BUE	2322			
KEC 440/22A		436	2	-		0.6	B8ES	2411	Q201	BR8EIX	5044
KEC 440/22B		436	2	-		*	BR10EIX**	6801			
KEC 440/23ALC		436	2	-		*	BR10EIX**	6801			
KEC 440/23BLC		436	2	-		*	BR10EIX**	6801			
KEC 440/23LC		436	2	-		*	BR10EIX**	6801			

KOHLER

K 141			1	-		0.5	B6S	3510			
K161			1	-		0.5	B6S	3510			
K181			1	-		0.5	B6S	3510			
K 250-1AM		220	1	-		0.5	B8ES	2411	Q201	BR8EIX	5044
K 250-RLC		250		-		*	BUE	2322			
K 295-2		290	2	-		0.5	B8ES	2411	Q201	BR8EIX	5044
K295-2AX		290	2	-		0.5	B8ES	2411	Q201	BR8EIX	5044
K 295-2SS		290	2	-		0.5	B10ES	7928		BR10EIX	6801
K 295-2T		292	2	-		0.5	B8ES	2411	Q201	BR8EIX	5044
K 295-1		294	1	-		0.5	AB-7	3010			
K295-1T		294	1	-		0.5	AB-7	3010			
K 309-1		309	1	-		0.5	AB-7	3010			
K309-1T		309	1	-		0.5	AB-7	3010			
K 335-1		335	1	-		0.5	AB-7	3010			

*Bitte Elektrodenabstand nach Angaben des Herstellers justieren

*Please adjust the ground electrode gap

*Veuillez vérifier l'écartement

* Por favor, ajustar la distancia entre los electrodos

*Regolare il gap

** Iridium IX Spark Plug is the standard recommendation





Stock No.

Quick No.

Upgrade ↑

Stock No. ↑

KOHLER

K335-1T		335	1	-		0.5	AB-7	3010			
K 340-2		338	2	-		0.5	B8HS	5510		BR8HIX	7001
K 340-2AX		338	2	-		0.5	B8ES	2411	Q201	BR8EIX	5044
K 340-2FA		338	2	-		0.5	BR8ES	5422	Q207	BR8EIX	5044
K 340-2SS		338	2	-		0.5	B10ES	7928		BR10EIX	6801
K340-2T		338	2	-		0.5	B8HS	5510		BR8HIX	7001
K 340-2AS		339	2	-		*	BUE	2322			
K 340-2RS		339	2	-		*	BUE	2322			
K 340-RLC		339		-		*	BUE	2322			
SK 340-2AX		339	2	-		*	BUE	2322			
K 399-2		398	2	-		0.5	AB-7	3010			
K 399-2AX		398	2	-		0.5	B9ES	2611	Q202	BR9EIX	3981
K 399-2T		398	2	-		0.5	AB-7	3010			
K 400-2RS		398	2	-		*	BUE	2322			
RK399-2AX		398	2	-		0.5	B9ES	2611	Q202	BR9EIX	3981
K 440-2SS		429	2	-	14mm Thread Size / 19mm Thread Reach	0.5	B10ES	7928		BR10EIX	6801
K 440-2SS		429	2	-	14mm Thread Size / 12,7mm Thread Reach	0.5	B9HS	5810		BR9HIX	5687
K 440-3RS		429	3	-	14mm Thread Size / 19mm Thread Reach	0.5	B10ES	7928		BR10EIX	6801
K 440-3RS		429	3	-	14mm Thread Size / 12,7mm Thread Reach	0.5	B9HS	5810		BR9HIX	5687
K 440-2		436	2	-		0.5	AB-7	3010			
K 440-2AM		436	2	-		*	BUE	2322			
K 440-2AM		436	2	-		0.5	B9ES	2611	Q202	BR9EIX	3981
K 440-2AS		436	2	-		*	BUE	2322			
K 440-2AX		436	2	-		0.5	B8ES	2411	Q201	BR8EIX	5044
K 440-2RS		436	2	-		*	BUE	2322			
K 440-2T		436	2	-		0.5	AB-7	3010			
K 440-RLC		436		-		*	BUE	2322			
RK 440-2T		436	2	-		0.5	AB-8	7909			
SK 440-2LC		436	2	-		*	BUE	2322			
K 539-2		539	2	-		0.5	AB-7	3010			
K 618-2		618	2	-		0.5	AB-7	3010			
K 645-3RS		645	3	-	14mm Thread Size / 19mm Thread Reach	0.5	B10ES	7928		BR10EIX	6801
K 645-3RS		645	3	-	14mm Thread Size / 12,7mm Thread Reach	0.5	B9HS	5810		BR9HIX	5687
K 645-3SS		645	3	-	14mm Thread Size / 19mm Thread Reach	0.5	B10ES	7928		BR10EIX	6801
K 645-3SS		645	3	-	14mm Thread Size / 12,7mm Thread Reach	0.5	B9HS	5810		BR9HIX	5687

MONARK CRESCENT

380				-		0.5	AB-8	7909			
------------	--	--	--	---	--	-----	------	------	--	--	--

NPO SATURN

Taiga		500		-		0.5	BR9ES	5722		BR9EIX	3981
--------------	--	-----	--	---	--	-----	-------	------	--	--------	------

OCKELBO

MAG 2034				-		0.5	B7ES	1111		BR7EIX	6664
Sachs Wankel KM914				-		0.5	B6HS	4510		BR6HIX	3419
Sachs SA280		280		-		0.5	AB-6	2910			
Sachs SA290		290		-		0.5	AB-7	3010			
Sachs SA290SS		290		-		0.5	B8HS	5510		BR8HIX	7001

* Bitte Elektrodenabstand nach Angaben des Herstellers justieren

* Please adjust the ground electrode gap

* Veuillez vérifier l'écartement

* Por favor, ajustar la distancia entre los electrodos

* Regolare il gap

* Iridium IX Spark Plug is the standard recommendation





Stock No.

Quick No.

Upgrade ↑

Stock No. ↑

OCKELBO

JLO LR340/2		340	-		0.5	B8ES	2411	Q201	BR8EIX	5044
Sachs SA340		340	-		0.5	AB-8	7909			
Sachs SA340RX		340	-		0.5	B9ES	2611	Q202	BR9EIX	3981
JLO 2F-400		400	-		0.5	B7ES	1111		BR7EIX	6664
Rotax Ockelbo 400		400	-		0.5	B7ES	1111		BR7EIX	6664
Rotax Ockelbo 600		600	-		0.5	B8ES	2411	Q201	BR8EIX	5044
Rotax Ockelbo 800		600	-		0.5	B8ES	2411	Q201	BR8EIX	5044
Rotax Ockelbo 8000		600	-		0.5	B8ES	2411	Q201	BR8EIX	5044

OMC

With CDI System			-	JOHNSON-EVINRUDE	*	BUHX	2522			
M 215		362	-	JOHNSON-EVINRUDE	0.8	B-4	3210			
M 228		399	-	JOHNSON-EVINRUDE	0.8	B6S	3510			
M 232		399	-	JOHNSON-EVINRUDE	0.8	B8S	3810			
M 232E		399	-	JOHNSON-EVINRUDE	0.8	B8S	3810			
M 235		399	-	JOHNSON-EVINRUDE	0.8	B8S	3810			
M 237		399	-	JOHNSON-EVINRUDE	0.8	B8S	3810			
M 225		437	-	JOHNSON-EVINRUDE	0.8	B6S	3510			
M 225C		437	-	JOHNSON-EVINRUDE	0.8	B6S	3510			
M 226E		437	-	JOHNSON-EVINRUDE	0.8	B6S	3510			
M 226W		437	-	JOHNSON-EVINRUDE	0.8	B6S	3510			
M 227		437	-	JOHNSON-EVINRUDE	0.8	B7S	3710			
M 229E		437	-	JOHNSON-EVINRUDE	0.8	B8S	3810			
M 229W		437	-	JOHNSON-EVINRUDE	0.8	B8S	3810			
M 230		437	-	JOHNSON-EVINRUDE	0.8	B8S	3810			
M2 30E		437	-	JOHNSON-EVINRUDE	0.8	B8S	3810			
M 231E		437	-	JOHNSON-EVINRUDE	0.8	B6S	3510			
M 231W		437	-	JOHNSON-EVINRUDE	0.8	B6S	3510			
M 233		437	-	JOHNSON-EVINRUDE	0.8	B8S	3810			
M 233E		437	-	JOHNSON-EVINRUDE	0.8	B8S	3810			
M 234E		437	-	JOHNSON-EVINRUDE	0.8	B8S	3810			
M 236		437	-	JOHNSON-EVINRUDE	0.8	B8S	3810			
M 238		437	-	JOHNSON-EVINRUDE	0.8	B8S	3810			
M 239E		437	-	JOHNSON-EVINRUDE	0.8	B8S	3810			
M 241E		437	-	JOHNSON-EVINRUDE	0.8	B8S	3810			
M 245		437	-	JOHNSON-EVINRUDE	0.8	B8S	3810			

POLARIS

DRAGON RMK			2	2007-		0.6	BR10EG	3830		
DRAGON RMK INTL			2	2007-		0.6	BR10EG	3830		
FRONTIER CLASSIC	S03ND7DS		2	2003-		0.7	BKR7E	6097	BKR7EIX	2667

*Bitte Elektrodenabstand nach Angaben des Herstellers justieren

*Please adjust the ground electrode gap

*Veuillez vérifier l'écartement

* Por favor, ajustar la distancia entre los electrodos

*Regolare il gap

** Iridium IX Spark Plug is the standard recommendation





Stock No.

Quick No.

Upgrade ↑

Stock No. ↑

POLARIS

FRONTIER CLASSIC	S04ND7DS		2	2004-		0.7	BKR7E	6097		BKR7EIX	2667
FRONTIER TOURING	S03NT7DS		2	2003-		0.7	BKR7E	6097		BKR7EIX	2667
FRONTIER TOURING	S04NT7DS		2	2004-		0.7	BKR7E	6097		BKR7EIX	2667
FRONTIER TOURING	S05NT7DS/ S05NT7DE		2	2005-		0.7	BKR7E	6097		BKR7EIX	2667
FS CLASSIC			2	2006-		0.7	BKR7E	6097		BKR7EIX	2667
FST CLASSIC			2	2006-		0.9	PFR7G-9	4371			
FST IQ CRUISER			2	2007-		0.9	PFR7G-9	4371			
FST IQ LX			2	2007-		0.9	PFR7G-9	4371			
FST IQ SWITCHBACK			2	2007-		0.9	PFR7G-9	4371			
FS TOURING			2	2006-		0.7	BKR7E	6097		BKR7EIX	2667
FST SWITCHBACK			2	2006-		0.9	PFR7G-9	4371			
FST TOURING			2	2006-		0.9	PFR7G-9	4371			
INDY FRONTIER	S02NT7DS		2	2002-		0.7	BKR7E	6097		BKR7EIX	2667
IQ TURBO DRAGON			2	2008-		*	PFR7ZTG	5768			
IQ TURBO DRAGON EURO			2	2008-		*	PFR7ZTG	5768			
IQ TURBO LX			2	2008-		*	PFR7ZTG	5768			
WIDETRAK LX			2	2008-2009		0.8	BR8ES	5422	Q207	BR8EIX	5044
WIDETRAK LX			2	2010-		0.8	BR8ES	5422	Q207	BR8EIX	5044
WIDETRAK LX			2	2011-2014		0.8	BR8ES	5422	Q207	BR8EIX	5044
WIDETRAK LX EURO			2	2008-2009		0.8	BR8ES	5422	Q207	BR8EIX	5044
WIDETRAK LX INTL			2	2011-2014		0.8	BR8ES	5422	Q207	BR8EIX	5044
120		120	1	2007-		0.9	BR6ES	4922			
120		120	1	2009-		0.9	BR6ES	4922			
120 ASSAULT		120	1	2011-		0.9	BR6ES	4922			
120 ASSAULT INTL		120	1	2011-		0.9	BR6ES	4922			
120 DRAGON		120	1	2008-		0.9	BR6ES	4922			
120 DRAGON		120	1	2010-		0.9	BR6ES	4922			
120 DRAGON EURO		120	1	2008-		0.9	BR6ES	4922			
120 DRAGON INTL		120	1	2010-		0.9	BR6ES	4922			
120 EURO		120	1	2009-		0.9	BR6ES	4922			
120 INDY	INDY	120	1	2014-		0.9	BR6ES	4922			
120 INDY INTL	INDY	120	1	2014-		0.9	BR6ES	4922			
120 PRO	RUSH	120	1	2012-		0.9	BR6ES	4922			
120 PRO INTL	RUSH	120	1	2012-		0.9	BR6ES	4922			
120 PRO-R	RUSH	120	1	2013-		0.9	BR6ES	4922			
120 PRO-R INTL	RUSH	120	1	2013-		0.9	BR6ES	4922			
120 PRO X	S04WB1AS	120	1	2004-		0.9	BR6ES	4922			
120 PRO X	S05WB1AS	120	1	2005-		0.9	BR6ES	4922			
120 PRO X		120	1	2006-		0.9	BR6ES	4922			
120 XCR	S00WB1AS	120	1	2000-2000		0.9	BR6ES	4922			
120 XC SP	S01WB1AS	120	1	2001-		0.9	BR6ES	4922			
120 XC SP	S02WB1AS	120	1	2002-		0.9	BR6ES	4922			
120 XC SP	S03WB1AS	120	1	2003-		0.9	BR6ES	4922			
EC16P		164		-		0.4	B7ES	1111		BR7EIX	6664
EC17P		175	1	-		0.4	B7ES	1111		BR7EIX	6664
EC17PM		175	1	-		0.4	B7ES	1111		BR7EIX	6664
EC25PC		244	2	-		0.5	B9ES	2611	Q202	BR9EIX	3981
EC25PM-01		244	2	1976-		0.5	BR8ES	3961		BR8EIX	5044
EC25PS		244	1	1973-		0.5	BR8ES	5422	Q207	BR8EIX	5044
EC25PT		244	2	-		0.5	B9ES	2611	Q202	BR9EIX	3981
EC25PT-04		244	2	-		0.7	BR8ES	3961		BR8EIX	5044

* Bitte Elektrodenabstand nach Angaben des Herstellers justieren

* Please adjust the ground electrode gap

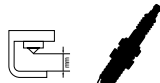
* Veuillez vérifier l'écartement

* Por favor, ajustar la distancia entre los electrodos

* Regolare il gap

* Iridium IX Spark Plug is the standard recommendation





Stock No.

Quick No.

Upgrade ↑

Stock No. ↑

POLARIS

EC25PT-05		244	2	-		0.5	B10ES	7928		BR10EIX	6801
EC25PT-06		244	2	-		0.5	B9ES	2611	Q202	BR9EIX	3981
EC25PT-07		244	2	-		0.7	BR9ES	3194		BR9EIX	3981
250 STAR	0850927	250	1	1985-		0.8	BR8ES	5422	Q207	BR8EIX	5044
250 STAR	0860927	250	1	1986-1986		0.8	BR8ES	5422	Q207	BR8EIX	5044
250 STAR	0870927	250	1	1987-		0.8	BR8ES	5422	Q207	BR8EIX	5044
250 STAR	0880927	250	1	1988-		0.8	BR8ES	5422	Q207	BR8EIX	5044
250 STAR	0890927	250	1	1989-1989		0.8	BR8ES	5422	Q207	BR8EIX	5044
250 STAR	0900927	250	1	1990-		0.8	BR8ES	5422	Q207	BR8EIX	5044
250 STAR FIN	F850927	250	1	1985-		0.8	BR8ES	5422	Q207	BR8EIX	5044
250 STAR FIN	F880927	250	1	1988-		0.8	BR8ES	5422	Q207	BR8EIX	5044
250 STAR FIN	F900927	250	1	1990-		0.8	BR8ES	5422	Q207	BR8EIX	5044
250 STAR NOR	N860927	250	1	1986-1986		0.8	BR8ES	5422	Q207	BR8EIX	5044
250 STAR NOR	N870927	250	1	1987-		0.8	BR8ES	5422	Q207	BR8EIX	5044
250 STAR NOR	N890927	250	1	1989-1989		0.8	BR8ES	5422	Q207	BR8EIX	5044
250 STAR NOR	N900927	250	1	1990-		0.8	BR8ES	5422	Q207	BR8EIX	5044
250 STARTRAK	0871027	250	1	1987-		0.8	BR8ES	5422	Q207	BR8EIX	5044
250 STARTRAK	0881027	250	1	1988-		0.8	BR8ES	5422	Q207	BR8EIX	5044
250 STARTRAK	0891027	250	1	1989-1989		0.8	BR8ES	5422	Q207	BR8EIX	5044
250 STARTRAK	0901027	250	1	1990-		0.8	BR8ES	5422	Q207	BR8EIX	5044
250 STARTRAK FIN	F881027	250	1	1988-		0.8	BR8ES	5422	Q207	BR8EIX	5044
250 STARTRAK FIN	F901027	250	1	1990-		0.8	BR8ES	5422	Q207	BR8EIX	5044
250 STARTRAK NOR	N871027	250	1	1987-		0.8	BR8ES	5422	Q207	BR8EIX	5044
250 STARTRAK NOR	N881027	250	1	1988-		0.8	BR8ES	5422	Q207	BR8EIX	5044
250 STARTRAK NOR	N891027	250	1	1989-1989		0.8	BR8ES	5422	Q207	BR8EIX	5044
250 STARTRAK NOR	N901027	250	1	1990-		0.8	BR8ES	5422	Q207	BR8EIX	5044
250 STARTRAK SWE	S881027	250	1	1988-		0.8	BR8ES	5422	Q207	BR8EIX	5044
250 STARTRAK SWE	S891027	250	1	1989-1989		0.8	BR8ES	5422	Q207	BR8EIX	5044
EC25		250		-		0.6	BR8ES	5422	Q207	BR8EIX	5044
EC25PC		250	2	1974-		0.5	B9ES	2611	Q202	BR9EIX	3981
EC25PT		250	2	1974-		0.5	B9ES	2611	Q202	BR9EIX	3981
EC25PT-04		250	2	-		0.5	B8ES	2411	Q201	BR8EIX	5044
EC25PT-05		250	2	1976-		0.5	B10ES	7928		BR10EIX	6801
EC25PT-06		250	2	1976-		0.5	B9ES	2611	Q202	BR9EIX	3981
EC25PT-07		250	2	1976-		0.5	BR9ES	3194		BR9EIX	3981
EC29P		294	2	1972-		0.5	B7ES	1111		BR7EIX	6664
EC29PF		294	2	1972-		0.5	B7ES	1111		BR7EIX	6664
EC29PM		294	2	1973-		0.5	B7ES	1111		BR7EIX	6664
EC29PS		294	2	1973-		0.5	B8ES	2411	Q201	BR8EIX	5044
EC29PS		294	2	1973-		0.7	BR8ES	3961		BR8EIX	5044
EC34-2P-03		333		-		0.6	BR9ES	5722		BR9EIX	3981
EC34PL-01		333	2	1977-		0.5	B9ES	2611	Q202	BR9EIX	3981
EC34PL-02		333	2	-		0.5	BR9ES	3194		BR9EIX	3981
EC34PL-03		333	2	1978-		0.5	B10ES	7928		BR10EIX	6801
EC34PL-04		333	2	-		0.5	B10ES	7928		BR10EIX	6801
EC34PL-05		333	2	-		0.5	BR9ES	3194		BR9EIX	3981
EC34PM-03		333	2	-		0.5	BR8ES	3961		BR8EIX	5044
EC34PM-04		333	2	-		0.5	BR9ES	3194		BR9EIX	3981
EC34PM-04-N		333	2	-		0.5	B8ES	2411	Q201	BR8EIX	5044
EC34-2P-02		335		-		0.6	BR9ES	5722		BR9EIX	3981
EC34-2PM-01		335	2	-		0.6	BR9ES	5722		BR9EIX	3981
EC34P		335	2	-		0.5	B7ES	1111		BR7EIX	6664

*Bitte Elektrodenabstand nach Angaben des Herstellers justieren

*Please adjust the ground electrode gap

*Veuillez vérifier l'écartement

* Por favor, ajustar la distancia entre los electrodos

*Regolare il gap

** Iridium IX Spark Plug is the standard recommendation





Stock No.

Quick No.

Upgrade ↑

Stock No. ↑

POLARIS

EC34PC		335	2	-		0.7	BR8ES	3961		BR8EIX	5044
EC34PF		335	2	1973-		0.5	B8ES	2411	Q201	BR8EIX	5044
EC34PF		335	2	1973-		0.7	BR8ES	3961		BR8EIX	5044
EC34PQ		335	2	-		0.7	BR8ES	3961		BR8EIX	5044
EC34PR-06		335	2	-		0.5	B10ES	7928		BR10EIX	6801
EC34PS		335	2	1972-		0.5	B8ES	2411	Q201	BR8EIX	5044
EC34PS		335	2	1972-		0.7	BR8ES	3961		BR8EIX	5044
EC34PT-04		335	2	-		0.5	B8ES	2411	Q201	BR8EIX	5044
EC34PT-04		335	2	-		0.7	BR8ES	3961		BR8EIX	5044
EC34PT-05		335	2	1976-		0.5	BR9ES	3194		BR9EIX	3981
EC34PT-06		335	2	1976-		0.5	B10ES	7928		BR10EIX	6801
EC34PT-07		335	2	-		0.5	BR9ES	3194		BR9EIX	3981
EC34PC		336	2	-		0.5	B8ES	2411	Q201	BR8EIX	5044
EC34PQ		336	2	1974-		0.5	B8ES	2411	Q201	BR8EIX	5044
EC34-2PM-02		339	2	-		0.7	BR8ES	5422	Q207	BR8EIX	5044
EC34-2PME-02		339		-		0.7	BR8ES	5422	Q207	BR8EIX	5044
340		340	1	2008-		0.8	BR8ES	5422	Q207	BR8EIX	5044
340 CLASSIC	S04NB3AS	340	1	2004-		0.8	BR8ES	5422	Q207	BR8EIX	5044
340 CLASSIC	S05ND3AS	340	1	2005-		0.8	BR8ES	5422	Q207	BR8EIX	5044
340 CLASSIC		340	1	2006-		0.8	BR8ES	5422	Q207	BR8EIX	5044
340 EDGE	S03NB3AS/ S03ND3AS	340	1	2003-		0.8	BR8ES	5422	Q207	BR8EIX	5044
340 EDGE CLASSIC	S03NB3AS/ S03ND3AS	340	1	2003-		0.8	BR8ES	5422	Q207	BR8EIX	5044
340 EDGE LX		340	1	2007-		0.8	BR8ES	5422	Q207	BR8EIX	5044
340 EDGE TOURING		340	1	2007-		0.8	BR8ES	5422	Q207	BR8EIX	5044
340 INDY	099LB3AS	340	1	1999-		0.8	BR8ES	5422	Q207	BR8EIX	5044
340 INDY	S04NB3AS	340	1	2004-		0.8	BR8ES	5422	Q207	BR8EIX	5044
340 INDY DELUXE	099LD3AS	340	1	1999-		0.8	BR8ES	5422	Q207	BR8EIX	5044
340 INDY DELUXE	S00LD3AS	340	1	2000-2000		0.8	BR8ES	5422	Q207	BR8EIX	5044
340 INDY DELUXE	S01LD3AS	340	1	2001-		0.8	BR8ES	5422	Q207	BR8EIX	5044
340 INDY DELUXE	S02LD3AS	340	1	2002-		0.8	BR8ES	5422	Q207	BR8EIX	5044
340 INDY TOURING	099LT3AS	340	1	1999-		0.8	BR8ES	5422	Q207	BR8EIX	5044
340 INDY TOURING	S00LT3AS	340	1	2000-2000		0.8	BR8ES	5422	Q207	BR8EIX	5044
340 INDY TOURING	S01LT3AS	340	1	2001-		0.8	BR8ES	5422	Q207	BR8EIX	5044
340 INDY TOURING	S02LT3AS	340	1	2002-		0.8	BR8ES	5422	Q207	BR8EIX	5044
340 INDY TOURING	S03LT3AS	340	1	2003-		0.8	BR8ES	5422	Q207	BR8EIX	5044
340 INT'L	S04NB3AS	340	1	2004-		0.8	BR8ES	5422	Q207	BR8EIX	5044
340 INT'L	T3AS/T3AE	340	1	2004-		0.8	BR8ES	5422	Q207	BR8EIX	5044
340 LITE	0913033	340	2	1991-		0.8	BR8ES	5422	Q207	BR8EIX	5044
340 LITE	0923033	340	2	1992-		0.8	BR8ES	5422	Q207	BR8EIX	5044
340 LITE	0933433	340	2	1993-		0.8	BR8ES	5422	Q207	BR8EIX	5044
340 LITE	0943433	340	2	1994-		0.8	BR8ES	5422	Q207	BR8EIX	5044
340 LITE	0953433	340	2	1995-		0.8	BR8ES	5422	Q207	BR8EIX	5044
340 LITE	0963433	340	2	1996-		0.8	BR8ES	5422	Q207	BR8EIX	5044
340 LITE	0973433	340	2	1997-		0.8	BR8ES	5422	Q207	BR8EIX	5044
340 LITE	0983433	340	2	1998-		0.8	BR8ES	5422	Q207	BR8EIX	5044
340 LITE DELUXE	0923231	340	2	1992-		0.8	BR8ES	5422	Q207	BR8EIX	5044
340 LITE DELUXE	0933431	340	2	1993-		0.8	BR8ES	5422	Q207	BR8EIX	5044
340 LITE DELUXE	0943431	340	2	1994-		0.8	BR8ES	5422	Q207	BR8EIX	5044
340 LITE DELUXE	0953431	340	2	1995-		0.8	BR8ES	5422	Q207	BR8EIX	5044
340 LITE DELUXE	0963431	340	2	1996-		0.8	BR8ES	5422	Q207	BR8EIX	5044
340 LITE DELUXE	0973431	340	2	1997-		0.8	BR8ES	5422	Q207	BR8EIX	5044

*Bitte Elektrodenabstand nach Angaben des Herstellers justieren

*Please adjust the ground electrode gap

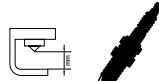
*Veuillez vérifier l'écartement

* Por favor, ajustar la distancia entre los electrodos

*Regolare il gap

* Iridium IX Spark Plug is the standard recommendation





Stock No.

Quick No.

Upgrade ↑

Stock No. ↑

POLARIS

340 LITE EUROPEAN	E943433	340	2	1994-		0.8	BR8ES	5422	Q207	BR8EIX	5044
340 LITE EUROPEAN	E963433	340	2	1996-		0.8	BR8ES	5422	Q207	BR8EIX	5044
340 LITE GT	0913133	340	2	1991-		0.8	BR8ES	5422	Q207	BR8EIX	5044
340 LITE GT	0923133	340	2	1992-		0.8	BR8ES	5422	Q207	BR8EIX	5044
340 LITE GT	0933133	340	2	1993-		0.8	BR8ES	5422	Q207	BR8EIX	5044
340 LITE GT	0943133	340	2	1994-		0.8	BR8ES	5422	Q207	BR8EIX	5044
340 LITE GT	0953133	340	2	1995-		0.8	BR8ES	5422	Q207	BR8EIX	5044
340 LITE GT	0963133	340	2	1996-		0.8	BR8ES	5422	Q207	BR8EIX	5044
340 LITE GT	0973133	340	2	1997-		0.8	BR8ES	5422	Q207	BR8EIX	5044
340 LITE GT EUROPEAN	E943133	340	2	1994-		0.8	BR8ES	5422	Q207	BR8EIX	5044
340 LITE GT EUROPEAN	E953133	340	2	1995-		0.8	BR8ES	5422	Q207	BR8EIX	5044
340 LITE GT EUROPEAN	E963133	340	2	1996-		0.8	BR8ES	5422	Q207	BR8EIX	5044
340 LITE GT EUROPEAN	E973133	340	2	1997-		0.8	BR8ES	5422	Q207	BR8EIX	5044
340 LITE GT FINLAND	F923133	340	2	1992-		0.8	BR8ES	5422	Q207	BR8EIX	5044
340 LITE GT SWE	S923133	340	2	1992-		0.8	BR8ES	5422	Q207	BR8EIX	5044
340 LITE SWE	S913033	340	2	1991-		0.8	BR8ES	5422	Q207	BR8EIX	5044
340 LITE SWE	S923033	340	2	1992-		0.8	BR8ES	5422	Q207	BR8EIX	5044
340 LITE TOURING	0983133	340	2	1998-		0.8	BR8ES	5422	Q207	BR8EIX	5044
340 LITE TOURING EUROPEAN	E983133	340	2	1998-		0.8	BR8ES	5422	Q207	BR8EIX	5044
340 SPORT	0870433	340	2	1987-		0.7	BR9ES	5722		BR9EIX	3981
340 SPORT	0880433	340	2	1988-		0.7	BR9ES	5722		BR9EIX	3981
340 SPORT	0890433	340	2	1989-1989		0.7	BR9ES	5722		BR9EIX	3981
340 SPORT FIN	F880433	340	2	1988-		0.7	BR9ES	5722		BR9EIX	3981
340 SPORT GT NOR	N892433	340	2	1989-1989		0.7	BR9ES	5722		BR9EIX	3981
340 SPORT GT SWE	S892433	340	2	1989-1989		0.7	BR9ES	5722		BR9EIX	3981
340 SPORT NOR	N870433	340	2	1987-		0.7	BR9ES	5722		BR9EIX	3981
340 SPORT NOR	N880433	340	2	1988-		0.7	BR9ES	5722		BR9EIX	3981
340 SPORT NOR	N890433	340	2	1989-1989		0.7	BR9ES	5722		BR9EIX	3981
340 SPORT SWE	S880433	340	2	1988-		0.7	BR9ES	5722		BR9EIX	3981
340 SPORT SWE	S890433	340	2	1989-1989		0.7	BR9ES	5722		BR9EIX	3981
340 SPRINT	0860933	340	2	1986-1986		0.7	BR9ES	5722		BR9EIX	3981
340 SPRINT	0870933	340	2	1987-		0.7	BR9ES	5722		BR9EIX	3981
340 SPRINT ES	0860931	340	2	1986-1986		0.7	BR9ES	5722		BR9EIX	3981
340 SPRINT ES	0870931	340	2	1987-		0.7	BR9ES	5722		BR9EIX	3981
340 SPRINT ES	0880931	340	2	1988-		0.7	BR9ES	5722		BR9EIX	3981
340 SPRINT ES	0890931	340	2	1989-1989		0.7	BR9ES	5722		BR9EIX	3981
340 SPRINT ES	0900931	340	2	1990-		0.7	BR9ES	5722		BR9EIX	3981
340 SPRINT ES NOR	N860931	340	2	1986-1986		0.7	BR9ES	5722		BR9EIX	3981
340 SPRINT ES NOR	N870931	340	2	1987-		0.7	BR9ES	5722		BR9EIX	3981
340 SPRINT NOR	N860933	340	2	1986-1986		0.7	BR9ES	5722		BR9EIX	3981
340 SPRINT NOR	N870933	340	2	1987-		0.7	BR9ES	5722		BR9EIX	3981
340 STAR LITE	0913027	340	2	1991-		0.8	BR8ES	5422	Q207	BR8EIX	5044
340 STAR LITE	0923027	340	2	1992-		0.8	BR8ES	5422	Q207	BR8EIX	5044
340 STAR LITE	0933427	340	2	1993-		0.8	BR8ES	5422	Q207	BR8EIX	5044
340 STAR LITE	0943427	340	2	1994-		0.8	BR8ES	5422	Q207	BR8EIX	5044
340 STAR LITE	0953427	340	2	1995-		0.8	BR8ES	5422	Q207	BR8EIX	5044
340 STAR LITE GT	0933127	340	2	1993-		0.8	BR8ES	5422	Q207	BR8EIX	5044
340 STAR LITE GT	0943127	340	2	1994-		0.8	BR8ES	5422	Q207	BR8EIX	5044
340 STAR LITE SWE	S913027	340	2	1991-		0.8	BR8ES	5422	Q207	BR8EIX	5044
340 STAR LITE SWE	S923027	340	2	1992-		0.8	BR8ES	5422	Q207	BR8EIX	5044

*Bitte Elektrodenabstand nach Angaben des Herstellers justieren

*Please adjust the ground electrode gap

*Veuillez vérifier l'écartement

* Por favor, ajustar la distancia entre los electrodos

*Regolare il gap

** Iridium IX Spark Plug is the standard recommendation





Stock No.

Quick No.

Upgrade ↑

Stock No. ↑

POLARIS

340 STAR SWE	S850927	340	2	1985-		0.7	BR9ES	5722		BR9EIX	3981
340 STAR TWIN	0850933	340	2	1985-		0.7	BR9ES	5722		BR9EIX	3981
340 STAR TWIN ES	0850931	340	2	1985-		0.7	BR9ES	5722		BR9EIX	3981
340 TOURING	T3AS/T3AE	340	1	2004-		0.8	BR8ES	5422	Q207	BR8EIX	5044
340 TOURING	TOURING	340	1	2006-		0.8	BR8ES	5422	Q207	BR8EIX	5044
340 TRANSPORT	RT	340	1	2008-		0.8	BR8ES	5422	Q207	BR8EIX	5044
340 TRANSPORT EURO	EURO	340	1	2008-		0.8	BR8ES	5422	Q207	BR8EIX	5044
EC37P		372		-		0.5	B8ES	2411	Q201	BR8EIX	5044
EC37P		372		-		0.7	BR8ES	3961		BR8EIX	5044
EC40P		398	2	1972-		0.5	B7ES	1111		BR7EIX	6664
EC40P-03		398	2	-		0.6	BR9ES	5722		BR9EIX	3981
EC40PL-01		398	2	-		0.6	BR9ES	3194		BR9EIX	3981
EC40PL-02		398	2	-		0.6	BR8ES	5422	Q207	BR8EIX	5044
EC40PL-04		398	2	-		0.6	BR8ES	5422	Q207	BR8EIX	5044
EC40PM		398	2	1973-		0.5	B7ES	1111		BR7EIX	6664
EC40PS		398	2	1973-		0.5	B10ES	7928		BR10EIX	6801
400	0850759	400	2	1985-		0.7	BR9ES	5722		BR9EIX	3981
400	0860759	400	2	1986-1986		0.7	BR9ES	5722		BR9EIX	3981
400	0870759	400	2	1987-		0.7	BR9ES	5722		BR9EIX	3981
400	0880759	400	2	1988-		0.7	BR9ES	5722		BR9EIX	3981
400	0890759	400	2	1989-1989		0.7	BR9ES	5722		BR9EIX	3981
400	0900759	400	2	1990-		0.7	BR9ES	5722		BR9EIX	3981
400	0910759	400	2	1991-		0.8	BR8ES	5422	Q207	BR8EIX	5044
400 CLASSIC	0880859	400	2	1988-		0.7	BR9ES	5722		BR9EIX	3981
400 CLASSIC NOR	N880859	400	2	1988-		0.7	BR9ES	5722		BR9EIX	3981
400 FIN	F880759	400	2	1988-		0.7	BR9ES	5722		BR9EIX	3981
400 NOR	N870759	400	2	1987-		0.7	BR9ES	5722		BR9EIX	3981
400 NOR	N880759	400	2	1988-		0.7	BR9ES	5722		BR9EIX	3981
400 NOR	N890759	400	2	1989-1989		0.7	BR9ES	5722		BR9EIX	3981
400 SKS	0870559	400	2	1987-		0.7	BR9ES	5722		BR9EIX	3981
400 SKS	0880559	400	2	1988-		0.7	BR9ES	5722		BR9EIX	3981
400 SKS FIN	F880559	400	2	1988-		0.7	BR9ES	5722		BR9EIX	3981
400 SKS NOR	N870559	400	2	1987-		0.7	BR9ES	5722		BR9EIX	3981
400 SKS NOR	N880559	400	2	1988-		0.7	BR9ES	5722		BR9EIX	3981
400 SKS NOR	N890559	400	2	1989-1989		0.7	BR9ES	5722		BR9EIX	3981
400 SKS SWE	S880559	400	2	1988-		0.7	BR9ES	5722		BR9EIX	3981
400 SWE	S880759	400	2	1988-		0.7	BR9ES	5722		BR9EIX	3981
400 SWE	S890759	400	2	1989-1989		0.7	BR9ES	5722		BR9EIX	3981
400 XC	0911759	400	2	1991-		0.7	BR9ES	5722		BR9EIX	3981
EC34-2PM-02		432	2	-		0.7	BR8ES	5422	Q207	BR8EIX	5044
EC44-2PM-1100		432	2	-		0.5	BR9ES	3194		BR9EIX	3981
EC44-2PM-2100		432	2	-		0.5	BR9ES	3194		BR9EIX	3981
EC44-2PM-3100		432	2	-		0.5	BR9ES	3194		BR9EIX	3981
EC44-2PM-3300		432		-		0.5	BR9ES	3194		BR9EIX	3981
EC44-2PM-4100		432		-		0.6	BR9ES	5722		BR9EIX	3981
EC44-2PM-5000		432	2	-		0.5	BR9ES	3194		BR9EIX	3981
EC44-2PM-5100		432	2	-		0.5	BR9ES	3194		BR9EIX	3981
EC44-3PM-01		432	2	-		0.6	BR8ES	5422	Q207	BR8EIX	5044
EC44P		432	2	-		0.5	B7ES	1111		BR7EIX	6664
EC44PM-01		432	2	-		0.5	BR8ES	3961		BR8EIX	5044
EC44PM-02		432	2	-		0.5	BR8ES	3961		BR8EIX	5044
EC44PM-03		432	2	-		0.5	BR8ES	3961		BR8EIX	5044

*Bitte Elektrodenabstand nach Angaben des Herstellers justieren

*Please adjust the ground electrode gap

*Veuillez vérifier l'écartement

* Por favor, ajustar la distancia entre los electrodos

*Regolare il gap

* Iridium IX Spark Plug is the standard recommendation





Stock No.

Quick No.

Upgrade ↑

Stock No. ↑

POLARIS

EC44PQ		432	2	1974-		0.5	B8ES	2411	Q201	BR8EIX	5044
EC44PQ		432	2	1974-		0.7	BR8ES	3961		BR8EIX	5044
EC44PT		432	2	1974-		0.5	B10ES	7928		BR10EIX	6801
EC44PT-04		432	2	-		0.5	B10ES	7928		BR10EIX	6801
EC44PT-05		432	2	1976-		0.5	BR9ES	3194		BR9EIX	3981
EC44PT-06		432	2	1977-		0.5	B9ES	2611	Q202	BR9EIX	3981
EC44P		436	2	-		0.5	B7ES	1111		BR7EIX	6664
EC44PS		436	2	1973-		0.5	B10ES	7928		BR10EIX	6801
EC45PL-01		436	2	1999-		0.5	B10ES	7928		BR10EIX	6801
EC45PL-07		439	2	-		0.7	BR8ES	5422	Q207	BR8EIX	5044
EC45PL-08		439	2	-		0.7	BR8ES	5422	Q207	BR8EIX	5044
EC45PL-08		439	2	-		0.6	BR9ES	5722		BR9EIX	3981
EC45PL-09		439	2	-		0.6	BR8ES	5422	Q207	BR8EIX	5044
440	0920760	440	2	1992-		0.8	BR8ES	5422	Q207	BR8EIX	5044
440 EUROPEAN	E930760	440	2	1993-		0.8	BR8ES	5422	Q207	BR8EIX	5044
440 EUROPEAN	E942760	440	2	1994-		0.8	BR8ES	5422	Q207	BR8EIX	5044
440 INDY	0982760	440	2	1998-		0.8	BR8ES	5422	Q207	BR8EIX	5044
440 IQ	05MX4CS	440	2	2005-		0.6	BR10EG	3830			
440 IQ		440	2	2006-		0.6	BR10EG	3830			
440 IQ		440	2	2007-		0.6	BR10EG	3830			
440 IQ EURO		440	2	2007-		0.6	BR10EG	3830			
440 L/C	0930760	440	2	1993-		0.8	BR8ES	5422	Q207	BR8EIX	5044
440 L/C	0942760	440	2	1994-		0.8	BR8ES	5422	Q207	BR8EIX	5044
440 L/C	0952760	440	2	1995-		0.8	BR8ES	5422	Q207	BR8EIX	5044
440 L/C	0962760	440	2	1996-		0.8	BR8ES	5422	Q207	BR8EIX	5044
440 L/C	0972760	440	2	1997-		0.8	BR8ES	5422	Q207	BR8EIX	5044
440 LONGTRAK	0851449	440	2	1985-		0.7	BR9ES	5722		BR9EIX	3981
440 LONGTRAK	0861549	440	2	1986-1986		0.7	BR9ES	5722		BR9EIX	3981
440 LONGTRAK	0871549	440	2	1987-		0.7	BR9ES	5722		BR9EIX	3981
440 LONGTRAK	0881549	440	2	1988-		0.7	BR9ES	5722		BR9EIX	3981
440 LONGTRAK/ REVERSE	0891549	440	2	1989-1989		0.7	BR9ES	5722		BR9EIX	3981
440 LONGTRAK FIN	F881549	440	2	1988-		0.7	BR9ES	5722		BR9EIX	3981
440 LONGTRAK SWE	S851449	440	2	1985-		0.7	BR9ES	5722		BR9EIX	3981
440 LONGTRAK SWE	S881549	440	2	1988-		0.7	BR9ES	5722		BR9EIX	3981
440 LONGTRAK W/ REVERSE	0861549	440	2	1986-1986		0.7	BR9ES	5722		BR9EIX	3981
440 LONGTRAK W/ REVERSE	0871549	440	2	1987-		0.7	BR9ES	5722		BR9EIX	3981
440 LONGTRAK W/ REVERSE NOR	N871549	440	2	1987-		0.7	BR9ES	5722		BR9EIX	3981
440 LONGTRAK W/ REVERSE NOR	N861549	440	2	1987-		0.7	BR9ES	5722		BR9EIX	3981
440 LONGTRAK W/ REVERSE NOR	N881549	440	2	1988-		0.7	BR9ES	5722		BR9EIX	3981
440 PRO X	S01NX4CS	440	2	2001-		0.6	BR10EG	3830			
440 PRO X	S02NX4CS	440	2	2002-		0.6	BR10EG	3830			
440 PRO X	S03NX4CS	440	2	2003-		0.6	BR10EG	3830			
440 PRO X FAN COOLED	S02NX4FS	440	2	2002-		0.7	BR9ES	5722		BR9EIX	3981
440 PRO X FAN COOLED	S03NX4FS	440	2	2003-		0.7	BR9ES	5722		BR9EIX	3981
440 PRO XR	S04NX4CS	440	2	2004-		0.6	BR10EG	3830			
440 SKS	0930560	440	2	1993-		0.8	BR8ES	5422	Q207	BR8EIX	5044
440 SKS	0942560	440	2	1994-		0.8	BR8ES	5422	Q207	BR8EIX	5044
440 SKS	0952560	440	2	1995-		0.8	BR8ES	5422	Q207	BR8EIX	5044
440 SKS EUROPEAN	E930560	440	2	1993-		0.8	BR8ES	5422	Q207	BR8EIX	5044

*Bitte Elektrodenabstand nach Angaben des Herstellers justieren

*Please adjust the ground electrode gap

*Veuillez vérifier l'écartement

* Por favor, ajustar la distancia entre los electrodos

*Regolare il gap

** Iridium IX Spark Plug is the standard recommendation





Stock No.

Quick No.

Upgrade ↑

Stock No. ↑

POLARIS

440 SKS EUROPEAN	E942560	440	2	1994-		0.8	BR8ES	5422	Q207	BR8EIX	5044
440 SKS EUROPEAN	E952560	440	2	1995-		0.8	BR8ES	5422	Q207	BR8EIX	5044
440 SPORT	0900433	440	2	1990-		0.7	BR9ES	5722		BR9EIX	3981
440 SPORT	0910443	440	2	1991-		0.8	BR8ES	5422	Q207	BR8EIX	5044
440 SPORT	0920443	440	2	1992-		0.8	BR8ES	5422	Q207	BR8EIX	5044
440 SPORT	0930443	440	2	1993-		0.8	BR8ES	5422	Q207	BR8EIX	5044
440 SPORT	0940443	440	2	1994-		0.8	BR8ES	5422	Q207	BR8EIX	5044
440 SPORT	0950443	440	2	1995-		0.8	BR8ES	5422	Q207	BR8EIX	5044
440 SPORT	0960443	440	2	1996-		0.8	BR8ES	5422	Q207	BR8EIX	5044
440 SPORT	0970443	440	2	1997-		0.8	BR8ES	5422	Q207	BR8EIX	5044
440 SPORT	0980443	440	2	1998-		0.8	BR8ES	5422	Q207	BR8EIX	5044
440 SPORT	099SB4DS	440	2	1999-		0.8	BR8ES	5422	Q207	BR8EIX	5044
440 SPORT EUROPEAN	E930443	440	2	1993-		0.8	BR8ES	5422	Q207	BR8EIX	5044
440 SPORT EUROPEAN	E970443	440	2	1997-		0.8	BR8ES	5422	Q207	BR8EIX	5044
440 SPORT GT	0902433	440	2	1990-		0.7	BR9ES	5722		BR9EIX	3981
440 SPORT GT	0912443	440	2	1991-		0.8	BR8ES	5422	Q207	BR8EIX	5044
440 SPORT GT	0922443	440	2	1992-		0.8	BR8ES	5422	Q207	BR8EIX	5044
440 SPORT GT NOR	N902433	440	2	1990-		0.7	BR9ES	5722		BR9EIX	3981
440 SPORT GT SWE	S902433	440	2	1990-		0.7	BR9ES	5722		BR9EIX	3981
440 SPORT GT SWE	S912443	440	2	1991-		0.8	BR8ES	5422	Q207	BR8EIX	5044
440 SPORT GT SWE	S922443	440	2	1992-		0.8	BR8ES	5422	Q207	BR8EIX	5044
440 SPORT LITE	S00LB4AS	440	2	2000-2000		0.7	BR9ES	5722		BR9EIX	3981
440 SPORT NOR	N900433	440	2	1990-		0.7	BR9ES	5722		BR9EIX	3981
440 SPORT SKS	0940243	440	2	1994-		0.8	BR8ES	5422	Q207	BR8EIX	5044
440 SPORT SKS EUROPEAN	E940243	440	2	1994-		0.8	BR8ES	5422	Q207	BR8EIX	5044
440 SPORT SWE	S900433	440	2	1990-		0.7	BR9ES	5722		BR9EIX	3981
440 SPORT SWE	S920443	440	2	1992-		0.8	BR8ES	5422	Q207	BR8EIX	5044
440 SPORT TOURING	0950243	440	2	1995-		0.8	BR8ES	5422	Q207	BR8EIX	5044
440 SPORT TOURING	0960243	440	2	1996-		0.8	BR8ES	5422	Q207	BR8EIX	5044
440 SPORT TOURING	0970243	440	2	1997-		0.8	BR8ES	5422	Q207	BR8EIX	5044
440 SPORT TOURING	0980243	440	2	1998-		0.8	BR8ES	5422	Q207	BR8EIX	5044
440 SPORT TOURING	099ST4DS	440	2	1999-		0.8	BR8ES	5422	Q207	BR8EIX	5044
440 SPORT TOURING EUROPEAN	E950243	440	2	1995-		0.8	BR8ES	5422	Q207	BR8EIX	5044
440 SPORT TOURING EUROPEAN	E960243	440	2	1996-		0.8	BR8ES	5422	Q207	BR8EIX	5044
440 SPORT TOURING EUROPEAN	E970243	440	2	1997-		0.8	BR8ES	5422	Q207	BR8EIX	5044
440 SS	0851349	440	2	1985-		0.7	BR9ES	5722		BR9EIX	3981
440 SS	0861349	440	2	1986-1986		0.7	BR9ES	5722		BR9EIX	3981
440 SS NOR	N861349	440	2	1986-1986		0.7	BR9ES	5722		BR9EIX	3981
440 SS SWE	S851349	440	2	1985-		0.7	BR9ES	5722		BR9EIX	3981
440 SUPER SPORT	0940743	440	2	1994-		0.8	BR8ES	5422	Q207	BR8EIX	5044
440 SUPER SPORT	0950743	440	2	1995-		0.8	BR8ES	5422	Q207	BR8EIX	5044
440 SUPER SPORT	0960743	440	2	1996-		0.8	BR8ES	5422	Q207	BR8EIX	5044
440 SUPER SPORT EUROPEAN	E940743	440	2	1994-		0.8	BR8ES	5422	Q207	BR8EIX	5044
440 SWE	S920760	440	2	1992-		0.8	BR8ES	5422	Q207	BR8EIX	5044
440 TRAIL	0850743	440	2	1985-		0.7	BR9ES	5722		BR9EIX	3981
440 TRAIL SWE	S850743	440	2	1985-		0.7	BR9ES	5722		BR9EIX	3981
440 TRANSPORT	0960143	440	2	1996-		0.8	BR8ES	5422	Q207	BR8EIX	5044
440 TRANSPORT	0970143	440	2	1997-		0.8	BR8ES	5422	Q207	BR8EIX	5044
440 TRANSPORT	0980143	440	2	1998-		0.8	BR8ES	5422	Q207	BR8EIX	5044

* Bitte Elektrodenabstand nach Angaben des Herstellers justieren

* Please adjust the ground electrode gap

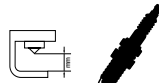
* Veuillez vérifier l'écartement

* Por favor, ajustar la distancia entre los electrodos

* Regolare il gap

* Iridium IX Spark Plug is the standard recommendation





Stock No.

Quick No.

Upgrade ↑

Stock No. ↑

POLARIS

440 TRANSPORT	099SU4DS	440	2	1999-		0.8	BR8ES	5422	Q207	BR8EIX	5044
440 TRANSPORT EUROPEAN	E960143	440	2	1996-		0.8	BR8ES	5422	Q207	BR8EIX	5044
440 TRANSPORT EUROPEAN	E970143	440	2	1997-		0.8	BR8ES	5422	Q207	BR8EIX	5044
440 TRANSPORT EUROPEAN	E980143	440	2	1998-		0.8	BR8ES	5422	Q207	BR8EIX	5044
440 XC	0971760	440	2	1997-		0.7	BR9ES	5722		BR9EIX	3981
440 XCF	0971643	440	2	1997-		0.8	BR8ES	5422	Q207	BR8EIX	5044
440 XCF	0981643	440	2	1998-		0.8	BR8ES	5422	Q207	BR8EIX	5044
440 XCF	099SP4AS	440	2	1999-		0.7	BR9ES	5722		BR9EIX	3981
440 XCR	0921760	440	2	1992-		0.7	BR9ES	5722		BR9EIX	3981
440 XCR	0931760	440	2	1993-		0.7	BR9ES	5722		BR9EIX	3981
440 XCR	0941760	440	2	1994-		0.7	BR9ES	5722		BR9EIX	3981
440 XCR	0951660	440	2	1995-		0.7	BR9ES	5722		BR9EIX	3981
440 XCR	0961660	440	2	1996-		0.7	BR9ES	5722		BR9EIX	3981
440 XCR	0971660	440	2	1997-		0.7	BR9ES	5722		BR9EIX	3981
440 XCR	0981660	440	2	1998-		0.7	BR9ES	5722		BR9EIX	3981
440 XCR	099SX4CS	440	2	1999-		0.7	BR9ES	5722		BR9EIX	3981
440 XCR EUROPEAN	E931760	440	2	1993-		0.7	BR9ES	5722		BR9EIX	3981
440 XCR SP	0951660	440	2	1995-		0.7	BR9ES	5722		BR9EIX	3981
440 XCR SP	0941660	440	2	1995-		0.7	BR9ES	5722		BR9EIX	3981
440 XCR SP	0961760	440	2	1996-		0.7	BR9ES	5722		BR9EIX	3981
440 XCR SP	099NX4CS	440	2	1999-		0.6	BR10EG	3830			
440 XCR SWE	S921760	440	2	1992-		0.7	BR9ES	5722		BR9EIX	3981
440 XC SP	00NX4CS]	440	2	2000-2000		0.6	BR10EG	3830			
450 XCF EDGE	00NX4FS	450	2	2000-2000		0.7	BR9ES	5722		BR9EIX	3981
450 XCF SP	099SX4FS	450	2	1999-		0.7	BR9ES	5722		BR9EIX	3981
450 XCF SP EDGE	S01NX4FS	450	2	2001-		0.7	BR9ES	5722		BR9EIX	3981
EC50P		488	2	-		0.5	B7ES	1111		BR7EIX	6664
EC50PL-01		488	2	-		0.6	BR8ES	5422	Q207	BR8EIX	5044
EC50PL-01		488	2	-		0.7	BR9ES	3194		BR9EIX	3981
EC50PL-02		488	2	-		0.6	BR8ES	5422	Q207	BR8EIX	5044
EC50PL-02		488	2	-		0.7	BR9ES	3194		BR9EIX	3981
EC50PL-03		488	2	-		0.7	BR9ES	3194		BR9EIX	3981
EC50PL-04		488	2	-		0.6	BR8ES	5422	Q207	BR8EIX	5044
EC50PL-05		488	2	-		0.6	BR8ES	5422	Q207	BR8EIX	5044
EC50PL-06		488	2	-		0.6	BR8ES	5422	Q207	BR8EIX	5044
EC50PL-16		488	2	-		0.6	BR8ES	5422	Q207	BR8EIX	5044
EC50PL-17		488	2	-		0.6	BR8ES	5422	Q207	BR8EIX	5044
EC50PL-18		488	2	-		0.6	BR8ES	5422	Q207	BR8EIX	5044
EC50PL-19		488	2	-		0.6	BR8ES	5422	Q207	BR8EIX	5044
EC50PL-20		488	2	-		0.6	BR8ES	5422	Q207	BR8EIX	5044
EC50PM-01		488	2	-		0.6	BR8ES	5422	Q207	BR8EIX	5044
EC50PM-02		488	2	-		0.6	BR8ES	5422	Q207	BR8EIX	5044
EC50PM-03		488	2	-		0.6	BR8ES	5422	Q207	BR8EIX	5044
EC50PM-04		488	2	-		0.6	BR8ES	5422	Q207	BR8EIX	5044
EC50PM-05		488	2	-		0.6	BR8ES	5422	Q207	BR8EIX	5044
EC50PM-06		488	2	-		0.6	BR8ES	5422	Q207	BR8EIX	5044
EC5-PM-01		488		-		0.7	BR9ES	3194		BR9EIX	3981
EC5-PM-02		488		-		0.7	BR9ES	3194		BR9EIX	3981
EC5-PM-03		488		-		0.7	BR9ES	3194		BR9EIX	3981
500	0890764	500	2	1989-1989		0.7	BR9ES	5722		BR9EIX	3981
500	0900764	500	2	1990-		0.7	BR9ES	5722		BR9EIX	3981

*Bitte Elektrodenabstand nach Angaben des Herstellers justieren

*Please adjust the ground electrode gap

*Veuillez vérifier l'écartement

* Por favor, ajustar la distancia entre los electrodos

*Regolare il gap

** Iridium IX Spark Plug is the standard recommendation





Stock No.

Quick No.

Upgrade ↑

Stock No. ↑

POLARIS

500	0910764	500	2	1991-		0.8	BR8ES	5422	Q207	BR8EIX	5044
500	0920764	500	2	1992-		0.8	BR8ES	5422	Q207	BR8EIX	5044
500 CARB	0952764	500	2	1995-		0.8	BR8ES	5422	Q207	BR8EIX	5044
500 CARB	0962764	500	2	1996-		0.8	BR8ES	5422	Q207	BR8EIX	5044
500 CARB RMK	0962964	500	2	1996-		0.8	BR8ES	5422	Q207	BR8EIX	5044
500 CARB SKS	0962564	500	2	1996-		0.8	BR8ES	5422	Q207	BR8EIX	5044
500 CARB SKS EUROPEAN	E962564	500	2	1996-		0.8	BR8ES	5422	Q207	BR8EIX	5044
500 CLASSIC	0890865	500	2	1989-1989		0.7	BR9ES	5722		BR9EIX	3981
500 CLASSIC	0900865	500	2	1990-		0.7	BR9ES	5722		BR9EIX	3981
500 CLASSIC	0910865	500	2	1991-		0.8	BR8ES	5422	Q207	BR8EIX	5044
500 CLASSIC	0920865	500	2	1992-		0.8	BR8ES	5422	Q207	BR8EIX	5044
500 CLASSIC	0930864	500	2	1993-		0.8	BR8ES	5422	Q207	BR8EIX	5044
500 CLASSIC	0942865	500	2	1994-		0.8	BR8ES	5422	Q207	BR8EIX	5044
500 CLASSIC	0952865	500	2	1995-		0.8	BR8ES	5422	Q207	BR8EIX	5044
500 CLASSIC	0963865	500	2	1996-		0.8	BR8ES	5422	Q207	BR8EIX	5044
500 CLASSIC	0973865	500	2	1997-		0.8	BR8ES	5422	Q207	BR8EIX	5044
500 CLASSIC	0983865	500	2	1998-		0.8	BR8ES	5422	Q207	BR8EIX	5044
500 CLASSIC	099ED4BS	500	2	1999-		0.8	BR8ES	5422	Q207	BR8EIX	5044
500 CLASSIC	S00SD4BS	500	2	2000-2000		0.8	BR8ES	5422	Q207	BR8EIX	5044
500 CLASSIC	S01SD4BS	500	2	2001-		0.8	BR8ES	5422	Q207	BR8EIX	5044
500 CLASSIC	S02ND4BS	500	2	2002-		0.8	BR8ES	5422	Q207	BR8EIX	5044
500 CLASSIC	S03ND5CS	500	2	2003-		0.6	BR10EG	3830			
500 CLASSIC	S04ND4BS	500	2	2004-		0.8	BR8ES	5422	Q207	BR8EIX	5044
500 CLASSIC	S05ND4BS	500	2	2005-		0.8	BR8ES	5422	Q207	BR8EIX	5044
500 CLASSIC		500	2	2006-		0.8	BR8ES	5422	Q207	BR8EIX	5044
500 CLASSIC EUROPEAN	E930864	500	2	1993-		0.8	BR8ES	5422	Q207	BR8EIX	5044
500 CLASSIC EUROPEAN	E942865	500	2	1994-		0.8	BR8ES	5422	Q207	BR8EIX	5044
500 CLASSIC FIN	F900865	500	2	1990-		0.7	BR9ES	5722		BR9EIX	3981
500 CLASSIC NOR	N890865	500	2	1989-1989		0.7	BR9ES	5722		BR9EIX	3981
500 CLASSIC NOR	N900865	500	2	1990-		0.7	BR9ES	5722		BR9EIX	3981
500 CLASSIC SWE	S890865	500	2	1989-1989		0.7	BR9ES	5722		BR9EIX	3981
500 CLASSIC SWE	S900865	500	2	1990-		0.7	BR9ES	5722		BR9EIX	3981
500 CLASSIC TOURING	0930865	500	2	1993-		0.8	BR8ES	5422	Q207	BR8EIX	5044
500 CLASSIC TOURING	0942875	500	2	1994-		0.8	BR8ES	5422	Q207	BR8EIX	5044
500 CLASSIC TOURING	0963365	500	2	1996-		0.8	BR8ES	5422	Q207	BR8EIX	5044
500 CLASSIC TOURING	0973365	500	2	1997-		0.8	BR8ES	5422	Q207	BR8EIX	5044
500 CLASSIC TOURING	0983365	500	2	1998-		0.8	BR8ES	5422	Q207	BR8EIX	5044
500 CLASSIC TOURING	099ET4BS	500	2	1999-		0.8	BR8ES	5422	Q207	BR8EIX	5044
500 CLASSIC TOURING	S00ST4BS	500	2	2000-2000		0.8	BR8ES	5422	Q207	BR8EIX	5044
500 CLASSIC TOURING	S01ST4BS	500	2	2001-		0.8	BR8ES	5422	Q207	BR8EIX	5044
500 CLASSIC TOURING	S02ST4BS	500	2	2002-		0.8	BR8ES	5422	Q207	BR8EIX	5044
500 CLASSIC TOURING	S03ST4BS	500	2	2003-		0.8	BR8ES	5422	Q207	BR8EIX	5044
500 CLASSIC TOURING EUROPEAN	E930865	500	2	1993-		0.8	BR8ES	5422	Q207	BR8EIX	5044
500 CLASSIC TOURING EUROPEAN	E942875	500	2	1994-		0.8	BR8ES	5422	Q207	BR8EIX	5044
500 CLASSIC TOURING EUROPEAN	E963365	500	2	1996-		0.8	BR8ES	5422	Q207	BR8EIX	5044

*Bitte Elektrodenabstand nach Angaben des Herstellers justieren

*Please adjust the ground electrode gap

*Veuillez vérifier l'écartement

* Por favor, ajustar la distancia entre los electrodos

*Regolare il gap

* Iridium IX Spark Plug is the standard recommendation





Stock No.

Quick No.

Upgrade ↑

Stock No. ↑

POLARIS

500 CLASSIC TOURING EUROPEAN	E973365	500	2	1997-		0.8	BR8ES	5422	Q207	BR8EIX	5044
500 CLASSIC TOURING EUROPEAN	E983365	500	2	1998-		0.8	BR8ES	5422	Q207	BR8EIX	5044
500 EDGE	S04NB4BS	500	2	2003-		0.8	BR8ES	5422	Q207	BR8EIX	5044
500 EDGE	S04NB4BS	500	2	2004-		0.8	BR8ES	5422	Q207	BR8EIX	5044
500 EFI	0930674	500	2	1993-		0.8	BR8ES	5422	Q207	BR8EIX	5044
500 EFI	0942774	500	2	1994-		0.8	BR8ES	5422	Q207	BR8EIX	5044
500 EFI	0952774	500	2	1995-		0.8	BR8ES	5422	Q207	BR8EIX	5044
500 EFI	0963774	500	2	1996-		0.8	BR8ES	5422	Q207	BR8EIX	5044
500 EFI	0973774	500	2	1997-		0.8	BR8ES	5422	Q207	BR8EIX	5044
500 EFI EUROPEAN	E930674	500	2	1993-		0.8	BR8ES	5422	Q207	BR8EIX	5044
500 EFI EUROPEAN	E942774	500	2	1994-		0.8	BR8ES	5422	Q207	BR8EIX	5044
500 EFI EUROPEAN	E963774	500	2	1996-		0.8	BR8ES	5422	Q207	BR8EIX	5044
500 EFI SKS	0930574	500	2	1993-		0.8	BR8ES	5422	Q207	BR8EIX	5044
500 EFI SKS	0942574	500	2	1994-		0.8	BR8ES	5422	Q207	BR8EIX	5044
500 EFI SKS	0952574	500	2	1995-		0.8	BR8ES	5422	Q207	BR8EIX	5044
500 EFI SKS	0962574	500	2	1996-		0.8	BR8ES	5422	Q207	BR8EIX	5044
500 EFI SKS EUROPEAN	E942574	500	2	1994-		0.8	BR8ES	5422	Q207	BR8EIX	5044
500 EFI SKS EUROPEAN	E952574	500	2	1995-		0.8	BR8ES	5422	Q207	BR8EIX	5044
500 EFI SKS EUROPEAN	E962574	500	2	1996-		0.8	BR8ES	5422	Q207	BR8EIX	5044
500 EFI SKS PDL TRK	0952974	500	2	1995-		0.8	BR8ES	5422	Q207	BR8EIX	5044
500 FIN	F900764	500	2	1990-		0.7	BR9ES	5722		BR9EIX	3981
500 INDY	0972764	500	2	1997-		0.8	BR8ES	5422	Q207	BR8EIX	5044
500 INDY	0982764	500	2	1998-		0.8	BR8ES	5422	Q207	BR8EIX	5044
500 INDY	0982764B	500	2	1998-		0.8	BR8ES	5422	Q207	BR8EIX	5044
500 INDY	0982764A	500	2	1998-		0.8	BR8ES	5422	Q207	BR8EIX	5044
500 INDY	099EB4BS	500	2	1999-		0.8	BR8ES	5422	Q207	BR8EIX	5044
500 INDY	99EB4BSA	500	2	1999-		0.8	BR8ES	5422	Q207	BR8EIX	5044
500 INDY	S00SB4BS	500	2	2000-2000		0.8	BR8ES	5422	Q207	BR8EIX	5044
500 INDY	S01NB4BS	500	2	2001-		0.8	BR8ES	5422	Q207	BR8EIX	5044
500 INDY	S02NB4BS	500	2	2002-		0.8	BR8ES	5422	Q207	BR8EIX	5044
500 INDY	S05NB4BS	500	2	2005-		0.8	BR8ES	5422	Q207	BR8EIX	5044
500 INDY		500	2	2006-		0.8	BR8ES	5422	Q207	BR8EIX	5044
500 INDY EUROPEAN	E972764	500	2	1997-		0.8	BR8ES	5422	Q207	BR8EIX	5044
500 INDY EUROPEAN	E982764A	500	2	1998-		0.8	BR8ES	5422	Q207	BR8EIX	5044
500 NOR	N890764	500	2	1989-1989		0.7	BR9ES	5722		BR9EIX	3981
500 RMK	0972564	500	2	1996-		0.8	BR8ES	5422	Q207	BR8EIX	5044
500 RMK	0972964	500	2	1997-		0.8	BR8ES	5422	Q207	BR8EIX	5044
500 RMK	0982964	500	2	1998-		0.8	BR8ES	5422	Q207	BR8EIX	5044
500 RMK	099ER4BS	500	2	1999-		0.8	BR8ES	5422	Q207	BR8EIX	5044
500 RMK	S00SR5AS	500	2	2000-2000		0.7	BR9ES	5722		BR9EIX	3981
500 RMK 136	S01SR5AS	500	2	2001-		0.7	BR9ES	5722		BR9EIX	3981
500 RMK 136	S02SR5AS	500	2	2002-		0.7	BR9ES	5722		BR9EIX	3981
500 RMK EUROPEAN	E972564	500	2	1996-		0.8	BR8ES	5422	Q207	BR8EIX	5044
500 RMK EUROPEAN	E972964	500	2	1997-		0.8	BR8ES	5422	Q207	BR8EIX	5044
500 RMK EUROPEAN	E982964	500	2	1998-		0.8	BR8ES	5422	Q207	BR8EIX	5044
500 SKS	0890564	500	2	1989-1989		0.7	BR9ES	5722		BR9EIX	3981
500 SKS	0900564	500	2	1990-		0.7	BR9ES	5722		BR9EIX	3981
500 SKS	0910564	500	2	1991-		0.8	BR8ES	5422	Q207	BR8EIX	5044
500 SKS	0920574	500	2	1992-		0.8	BR8ES	5422	Q207	BR8EIX	5044
500 SKS	0952574	500	2	1995-		0.8	BR8ES	5422	Q207	BR8EIX	5044

*Bitte Elektrodenabstand nach Angaben des Herstellers justieren

*Please adjust the ground electrode gap

*Veuillez vérifier l'écartement

* Por favor, ajustar la distancia entre los electrodos

*Regolare il gap

** Iridium IX Spark Plug is the standard recommendation





Stock No.

Quick No.

Upgrade ↑

Stock No. ↑

POLARIS

500 SKS	0972564	500	2	1997-		0.8	BR8ES	5422	Q207	BR8EIX	5044
500 SKS EURO	E00SS5AU	500	2	2000-2000		0.7	BR9ES	5722		BR9EIX	3981
500 SKS EURO	S01SS5AU	500	2	2001-		0.7	BR9ES	5722		BR9EIX	3981
500 SKS EURO	S02SS5AE	500	2	2002-		0.7	BR9ES	5722		BR9EIX	3981
500 SKS EUROPEAN	E930574	500	2	1993-		0.8	BR8ES	5422	Q207	BR8EIX	5044
500 SKS EUROPEAN	E972564	500	2	1997-		0.8	BR8ES	5422	Q207	BR8EIX	5044
500 SKS FIN	F890564	500	2	1989-1989		0.7	BR9ES	5722		BR9EIX	3981
500 SKS FIN	F900564	500	2	1990-		0.7	BR9ES	5722		BR9EIX	3981
500 SKS FINLAND	F920574	500	2	1992-		0.8	BR8ES	5422	Q207	BR8EIX	5044
500 SKS NOR	N890564	500	2	1989-1989		0.7	BR9ES	5722		BR9EIX	3981
500 SKS NOR	N900564	500	2	1990-		0.7	BR9ES	5722		BR9EIX	3981
500 SKS SWE	S890564	500	2	1989-1989		0.7	BR9ES	5722		BR9EIX	3981
500 SKS SWE	S900564	500	2	1990-		0.7	BR9ES	5722		BR9EIX	3981
500 SKS SWE	S910564	500	2	1991-		0.8	BR8ES	5422	Q207	BR8EIX	5044
500 SKS SWE	S920574	500	2	1992-		0.8	BR8ES	5422	Q207	BR8EIX	5044
500 SP	0890664	500	2	1989-1989		0.7	BR9ES	5722		BR9EIX	3981
500 SP	0900664	500	2	1990-		0.7	BR9ES	5722		BR9EIX	3981
500 SP	0910664	500	2	1991-		0.8	BR8ES	5422	Q207	BR8EIX	5044
500 SP	X920674	500	2	1992-		0.8	BR8ES	5422	Q207	BR8EIX	5044
500 SP EFI	0920674	500	2	1992-		0.8	BR8ES	5422	Q207	BR8EIX	5044
500 SP FIN	F900664	500	2	1990-		0.7	BR9ES	5722		BR9EIX	3981
500 SP SWE	S900664	500	2	1990-		0.7	BR9ES	5722		BR9EIX	3981
500 SP SWE	S920674	500	2	1992-		0.8	BR8ES	5422	Q207	BR8EIX	5044
500 SPX	0920674N	500	2	1992-		0.8	BR8ES	5422	Q207	BR8EIX	5044
500 SUPERSPORT	0970761	500	2	1997-		0.8	BR8ES	5422	Q207	BR8EIX	5044
500 SUPERSPORT	0980761	500	2	1998-		0.8	BR8ES	5422	Q207	BR8EIX	5044
500 SUPERTRAK	0920161	500	2	1992-		0.8	BR8ES	5422	Q207	BR8EIX	5044
500 SUPERTRAK SWE	S920161	500	2	1992-		0.8	BR8ES	5422	Q207	BR8EIX	5044
500 SWE	S910764	500	2	1991-		0.8	BR8ES	5422	Q207	BR8EIX	5044
500 TRAIL	0850761	500	2	1985-		0.7	BR9ES	5722		BR9EIX	3981
500 TRAIL	0860761	500	2	1986-1986		0.7	BR9ES	5722		BR9EIX	3981
500 TRAIL	0870761	500	2	1987-		0.7	BR9ES	5722		BR9EIX	3981
500 TRAIL	0880761	500	2	1988-		0.7	BR9ES	5722		BR9EIX	3981
500 TRAIL	0890761	500	2	1989-1989		0.7	BR9ES	5722		BR9EIX	3981
500 TRAIL	0900761	500	2	1990-		0.7	BR9ES	5722		BR9EIX	3981
500 TRAIL	0910761	500	2	1991-		0.8	BR8ES	5422	Q207	BR8EIX	5044
500 TRAIL	0920761	500	2	1992-		0.8	BR8ES	5422	Q207	BR8EIX	5044
500 TRAIL	0930761	500	2	1993-		0.8	BR8ES	5422	Q207	BR8EIX	5044
500 TRAIL	0940761	500	2	1994-		0.8	BR8ES	5422	Q207	BR8EIX	5044
500 TRAIL	0952761	500	2	1995-		0.8	BR8ES	5422	Q207	BR8EIX	5044
500 TRAIL	0962761	500	2	1996-		0.8	BR8ES	5422	Q207	BR8EIX	5044
500 TRAIL	0972761	500	2	1997-		0.8	BR8ES	5422	Q207	BR8EIX	5044
500 TRAIL	0982761	500	2	1998-		0.8	BR8ES	5422	Q207	BR8EIX	5044
500 TRAIL	099EB4ES	500	2	1999-		0.8	BR8ES	5422	Q207	BR8EIX	5044
500 TRAIL	99EB4ESA	500	2	1999-		0.8	BR8ES	5422	Q207	BR8EIX	5044
500 TRAIL DELUXE	0880262	500	2	1988-		0.7	BR9ES	5722		BR9EIX	3981
500 TRAIL DELUXE	0890262	500	2	1989-1989		0.7	BR9ES	5722		BR9EIX	3981
500 TRAIL DELUXE	0900262	500	2	1990-		0.7	BR9ES	5722		BR9EIX	3981
500 TRAIL DELUXE	0910262	500	2	1991-		0.8	BR8ES	5422	Q207	BR8EIX	5044
500 TRAIL DELUXE	0920262	500	2	1992-		0.8	BR8ES	5422	Q207	BR8EIX	5044
500 TRAIL DELUXE	0930262	500	2	1993-		0.8	BR8ES	5422	Q207	BR8EIX	5044
500 TRAIL DELUXE	0940262	500	2	1994-		0.8	BR8ES	5422	Q207	BR8EIX	5044

*Bitte Elektrodenabstand nach Angaben des Herstellers justieren

*Please adjust the ground electrode gap

*Veuillez vérifier l'écartement

* Por favor, ajustar la distancia entre los electrodos

*Regolare il gap

* Iridium IX Spark Plug is the standard recommendation





Stock No.

Quick No.

Upgrade ↑

Stock No. ↑

POLARIS

500 TRAIL DELUXE	0950262	500	2	1995-		0.8	BR8ES	5422	Q207	BR8EIX	5044
500 TRAIL DELUXE EUROPEAN	E930262	500	2	1993-		0.8	BR8ES	5422	Q207	BR8EIX	5044
500 TRAIL DELUXE EUROPEAN	E940262	500	2	1994-		0.8	BR8ES	5422	Q207	BR8EIX	5044
500 TRAIL DELUXE EUROPEAN	E950262	500	2	1995-		0.8	BR8ES	5422	Q207	BR8EIX	5044
500 TRAIL DELUXE FIN	F900262	500	2	1990-		0.7	BR9ES	5722		BR9EIX	3981
500 TRAIL DELUXE NOR	N900262	500	2	1990-		0.7	BR9ES	5722		BR9EIX	3981
500 TRAIL DELUXE SWE	S900262	500	2	1990-		0.7	BR9ES	5722		BR9EIX	3981
500 TRAIL DELUXE SWE	S910262	500	2	1991-		0.8	BR8ES	5422	Q207	BR8EIX	5044
500 TRAIL ES	0870762	500	2	1987-		0.7	BR9ES	5722		BR9EIX	3981
500 TRAIL ES	0880762	500	2	1988-		0.7	BR9ES	5722		BR9EIX	3981
500 TRAIL ES	0890762	500	2	1989-1989		0.7	BR9ES	5722		BR9EIX	3981
500 TRAIL EUROPEAN	E930761	500	2	1993-		0.8	BR8ES	5422	Q207	BR8EIX	5044
500 TRAIL EUROPEAN	E952761	500	2	1995-		0.8	BR8ES	5422	Q207	BR8EIX	5044
500 TRAIL EUROPEAN	E972761	500	2	1997-		0.8	BR8ES	5422	Q207	BR8EIX	5044
500 TRAIL FIN	F880761	500	2	1988-		0.7	BR9ES	5722		BR9EIX	3981
500 TRAIL FIN	F900761	500	2	1990-		0.7	BR9ES	5722		BR9EIX	3981
500 TRAIL NOR	N860761	500	2	1986-1986		0.7	BR9ES	5722		BR9EIX	3981
500 TRAIL NOR	N870761	500	2	1987-		0.7	BR9ES	5722		BR9EIX	3981
500 TRAIL NOR	N880761	500	2	1988-		0.7	BR9ES	5722		BR9EIX	3981
500 TRAIL NOR	N890761	500	2	1989-1989		0.7	BR9ES	5722		BR9EIX	3981
500 TRAIL RMK	0980961	500	2	1998-		0.8	BR8ES	5422	Q207	BR8EIX	5044
500 TRAIL SKS	0870561	500	2	1987-		0.7	BR9ES	5722		BR9EIX	3981
500 TRAIL SKS	0880561	500	2	1988-		0.7	BR9ES	5722		BR9EIX	3981
500 TRAIL SKS	0890561	500	2	1989-1989		0.7	BR9ES	5722		BR9EIX	3981
500 TRAIL SKS FIN	F880561	500	2	1988-		0.7	BR9ES	5722		BR9EIX	3981
500 TRAIL SKS NOR	N870561	500	2	1987-		0.7	BR9ES	5722		BR9EIX	3981
500 TRAIL SKS NOR	N880561	500	2	1988-		0.7	BR9ES	5722		BR9EIX	3981
500 TRAIL SKS NOR	N890561	500	2	1989-1989		0.7	BR9ES	5722		BR9EIX	3981
500 TRAIL SKS SWE	S880561	500	2	1988-		0.7	BR9ES	5722		BR9EIX	3981
500 TRAIL SKS SWE	S890561	500	2	1989-1989		0.7	BR9ES	5722		BR9EIX	3981
500 TRAIL SP	0860661	500	2	1986-1986		0.7	BR9ES	5722		BR9EIX	3981
500 TRAIL SP	0880661	500	2	1988-		0.7	BR9ES	5722		BR9EIX	3981
500 TRAIL SP	0890661	500	2	1989-1989		0.7	BR9ES	5722		BR9EIX	3981
500 TRAIL SP NOR	N890661	500	2	1989-1989		0.7	BR9ES	5722		BR9EIX	3981
500 TRAIL SP SWE	S880661	500	2	1988-		0.7	BR9ES	5722		BR9EIX	3981
500 TRAIL SP SWE	S890661	500	2	1989-1989		0.7	BR9ES	5722		BR9EIX	3981
500 TRAIL SUPER-TRAK	0890161	500	2	1989-1989		0.7	BR9ES	5722		BR9EIX	3981
500 TRAIL SUPER-TRAK	0900161	500	2	1990-		0.7	BR9ES	5722		BR9EIX	3981
500 TRAIL SUPER-TRAK	0910161	500	2	1991-		0.8	BR8ES	5422	Q207	BR8EIX	5044
500 TRAIL SUPER-TRAK NOR	N900161	500	2	1990-		0.7	BR9ES	5722		BR9EIX	3981
500 TRAIL SUPER-TRAK SWE	S890161	500	2	1989-1989		0.7	BR9ES	5722		BR9EIX	3981
500 TRAIL SUPER-TRAK SWE	S900161	500	2	1990-		0.7	BR9ES	5722		BR9EIX	3981
500 TRAIL SUPER-TRAK SWE	S910161	500	2	1991-		0.8	BR8ES	5422	Q207	BR8EIX	5044
500 TRAIL SWE	S910761	500	2	1991-		0.8	BR8ES	5422	Q207	BR8EIX	5044
500 TRAIL TOURING	0960262	500	2	1996-		0.8	BR8ES	5422	Q207	BR8EIX	5044
500 TRAIL TOURING	0972262	500	2	1997-		0.8	BR8ES	5422	Q207	BR8EIX	5044

* Bitte Elektrodenabstand nach Angaben des Herstellers justieren

* Please adjust the ground electrode gap

* Veuillez vérifier l'écartement

* Por favor, ajustar la distancia entre los electrodos

* Regolare il gap

** Iridium IX Spark Plug is the standard recommendation





Stock No.

Quick No.

Upgrade ↑

Stock No. ↑

POLARIS

500 TRAIL TOURING	0982362	500	2	1998-		0.8	BR8ES	5422	Q207	BR8EIX	5044
500 TRAIL TOURING	9ET4ESA	500	2	1999-		0.8	BR8ES	5422	Q207	BR8EIX	5044
500 TRAIL TOURING	99ET4ES	500	2	1999-		0.8	BR8ES	5422	Q207	BR8EIX	5044
500 TRAIL TOURING EUROPEAN	E960262	500	2	1996-		0.8	BR8ES	5422	Q207	BR8EIX	5044
500 TRAIL TOURING EUROPEAN	E972262	500	2	1997-		0.8	BR8ES	5422	Q207	BR8EIX	5044
500 TRAIL TOURING EUROPEAN	E982362	500	2	1998-		0.8	BR8ES	5422	Q207	BR8EIX	5044
500 WIDETRAK	0902064	500	2	1990-		0.7	BR9ES	5722		BR9EIX	3981
500 WIDETRAK	0912064	500	2	1991-		0.8	BR8ES	5422	Q207	BR8EIX	5044
500 WIDETRAK	0922064	500	2	1992-		0.8	BR8ES	5422	Q207	BR8EIX	5044
500 WIDETRAK	0932064	500	2	1993-		0.8	BR8ES	5422	Q207	BR8EIX	5044
500 WIDETRAK EUROPEAN	E932064	500	2	1993-		0.8	BR8ES	5422	Q207	BR8EIX	5044
500 WIDETRAK GT	X932061	500	2	1993-		0.8	BR8ES	5422	Q207	BR8EIX	5044
500 WIDETRAK GT	0942061	500	2	1994-		0.8	BR8ES	5422	Q207	BR8EIX	5044
500 WIDETRAK GT	0952061	500	2	1995-		0.8	BR8ES	5422	Q207	BR8EIX	5044
500 WIDETRAK GT	0962061	500	2	1996-		0.8	BR8ES	5422	Q207	BR8EIX	5044
500 WIDETRAK GT	0972061	500	2	1997-		0.8	BR8ES	5422	Q207	BR8EIX	5044
500 WIDETRAK GT EUROPEAN	E942061	500	2	1994-		0.8	BR8ES	5422	Q207	BR8EIX	5044
500 WIDETRAK GT EUROPEAN	E952061	500	2	1995-		0.8	BR8ES	5422	Q207	BR8EIX	5044
500 WIDETRAK GT EUROPEAN	E972061	500	2	1997-		0.8	BR8ES	5422	Q207	BR8EIX	5044
500 WIDETRAK LX	0942064	500	2	1994-		0.8	BR8ES	5422	Q207	BR8EIX	5044
500 WIDETRAK LX	0952064	500	2	1995-		0.8	BR8ES	5422	Q207	BR8EIX	5044
500 WIDETRAK LX	0962065	500	2	1996-		0.8	BR8ES	5422	Q207	BR8EIX	5044
500 WIDETRAK LX	0972065	500	2	1997-		0.8	BR8ES	5422	Q207	BR8EIX	5044
500 WIDETRAK LX	0982065	500	2	1998-		0.8	BR8ES	5422	Q207	BR8EIX	5044
500 WIDETRAK LX	099SU4BS	500	2	1999-		0.8	BR8ES	5422	Q207	BR8EIX	5044
500 WIDETRAK LX	S00SU4BS	500	2	2000-2000		0.8	BR8ES	5422	Q207	BR8EIX	5044
500 WIDETRAK LX	01SU4BS	500	2	2001-		0.8	BR8ES	5422	Q207	BR8EIX	5044
500 WIDETRAK LX	02SU4BS	500	2	2002-		0.8	BR8ES	5422	Q207	BR8EIX	5044
500 WIDETRAK LX	03SU4BS	500	2	2003-		0.8	BR8ES	5422	Q207	BR8EIX	5044
500 WIDETRAK LX	S04SU4BS	500	2	2004-		0.8	BR8ES	5422	Q207	BR8EIX	5044
500 WIDETRAK LX	S05SU4BS	500	2	2005-		0.8	BR8ES	5422	Q207	BR8EIX	5044
500 WIDETRAK LX		500	2	2006-2007		0.8	BR8ES	5422	Q207	BR8EIX	5044
500 WIDETRAK LX EURO	E01SU4BU	500	2	2000-2000		0.8	BR8ES	5422	Q207	BR8EIX	5044
500 WIDETRAK LX EURO	02SU4BE	500	2	2002-		0.8	BR8ES	5422	Q207	BR8EIX	5044
500 WIDETRAK LX EUROPEAN	E952064	500	2	1995-		0.8	BR8ES	5422	Q207	BR8EIX	5044
500 WIDETRAK LX EUROPEAN	E962065	500	2	1996-		0.8	BR8ES	5422	Q207	BR8EIX	5044
500 WIDETRAK LX EUROPEAN	E972065	500	2	1997-		0.8	BR8ES	5422	Q207	BR8EIX	5044
500 WIDETRAK LX EUROPEAN	E982065	500	2	1998-		0.8	BR8ES	5422	Q207	BR8EIX	5044
500 WIDETRAK NOR	N902064	500	2	1990-		0.7	BR9ES	5722		BR9EIX	3981
500 WIDETRAK SWE	S902064	500	2	1990-		0.7	BR9ES	5722		BR9EIX	3981
500 XC	099SB5AS	500	2	1999-		0.7	BR9ES	5722		BR9EIX	3981
500 XC	S00SB5AS	500	2	2000-2000		0.7	BR9ES	5722		BR9EIX	3981
500 XC	S01NP5AS	500	2	2001-		0.6	BR10EG	3830			
500 XC	S02NP5AS	500	2	2002-		0.6	BR10EG	3830			
500 XC EDGE	S03NP5AS	500	2	2003-		0.6	BR10EG	3830			
500 XC EDGE F/O	S03NP5CS	500	2	2003-		0.6	BR10EG	3830			

* Bitte Elektrodenabstand nach Angaben des Herstellers justieren

* Please adjust the ground electrode gap

* Veuillez vérifier l'écartement

* Por favor, ajustar la distancia entre los electrodos

* Regolare il gap

* Iridium IX Spark Plug is the standard recommendation





Stock No.

Quick No.

Upgrade ↑

Stock No. ↑

POLARIS

500 XC SP	099SP5AS	500	2	1999-		0.7	BR9ES	5722		BR9EIX	3981
500 XC SP	S00SP5CS	500	2	2000-2000		0.6	BR10EG	3830			
500 XC SP	01NP5CSA	500	2	2001-		0.6	BR10EG	3830			
500 XC SP	01NP5CSB	500	2	2001-		0.6	BR10EG	3830			
500 XC SP	S01NP5CS	500	2	2001-		0.6	BR10EG	3830			
500 XC SP	02NP5CSB	500	2	2002-		0.6	BR10EG	3830			
500 XC SP	02NP5CSA	500	2	2002-		0.6	BR10EG	3830			
500 XC SP		500	2	2007-		0.6	BR10EG	3830			
500 XC SP EDGE	NP5CSA/ NP5CSB	500	2	2003-		0.6	BR10EG	3830			
500 XC SP EDGE	S04NP5CS	500	2	2004-		0.6	BR10EG	3830			
500 XC SP EDGE	S05NE5CS	500	2	2005-		0.6	BR10EG	3830			
500 XC SP EDGE	STOCK B	500	2	2006-		0.6	BR10EG	3830			
500 XC SP EDGE M-10	S04NP5CS	500	2	2004-		0.6	BR10EG	3830			
500 XC SP EDGE M-10	S05NE5CS	500	2	2005-		0.6	BR10EG	3830			
500 XC SP EDGE M-10 F/O	S03NF5CS	500	2	2003-		0.6	BR10EG	3830			
500 XC SP EDGE M-10 F/O	S03NE5CS	500	2	2003-		0.6	BR10EG	3830			
500 XC SP EDGE X F/O	S03NA5CS	500	2	2003-		0.6	BR10EG	3830			
500 XC SP F/O	S02NP5CS	500	2	2002-		0.6	BR10EG	3830			
500 XC SP M-10 F/O	S02NE5CS	500	2	2002-		0.6	BR10EG	3830			
EC51PL		500	3	-		0.7	BR9ES	3194		BR9EIX	3981
EC51PL-01		500	3	-		0.5	BR9ES	3194		BR9EIX	3981
EC51PL-02		500	3	-		0.5	BR9ES	5722		BR9EIX	3981
EC51PS		500	3	1972-		0.5	B10ES	7928		BR10EIX	6801
EC51PT		500	3	1974-		0.5	B9ES	2611	Q202	BR9EIX	3981
EC51PT-04		500	3	-		0.5	B8ES	2411	Q201	BR8EIX	5044
EC54P		530	2	1972-		0.5	B8ES	2411	Q201	BR8EIX	5044
EC54P		530	2	1972-		0.7	BR8ES	3961		BR8EIX	5044
EC54PM		530	2	1973-		0.5	B8ES	2411	Q201	BR8EIX	5044
EC54PM		530	2	1973-		0.7	BR8ES	3961		BR8EIX	5044
EC60PL-01		530		-		0.5	BR9ES	5722		BR9EIX	3981
EC60PL-02		530		-		0.6	BR9ES	5722		BR9EIX	3981
550 CLASSIC	S05ND5BS	550	2	2005-		0.7	BR9ES	5722		BR9EIX	3981
550 CLASSIC		550	2	2006-		0.7	BR9ES	5722		BR9EIX	3981
550 CLASSIC EDGE	S03ND5BS	550	2	2003-		0.7	BR9ES	5722		BR9EIX	3981
550 CLASSIC EDGE	S04ND5BS	550	2	2004-		0.7	BR9ES	5722		BR9EIX	3981
550 EDGE LX		550	2	2007-		0.7	BR9ES	5722		BR9EIX	3981
550 ES		550	2	2014-		0.7	BR9ES	5722		BR9EIX	3981
550 F/C CLASSIC	S02ND5BS	550	2	2002-		0.7	BR9ES	5722		BR9EIX	3981
550 INDY		550	2	2014-		0.7	BR9ES	5722		BR9EIX	3981
550 INDY 144		550	2	2014-		0.7	BR9ES	5722		BR9EIX	3981
550 INDY ADVENTURE		550	2	2014-		0.7	BR9ES	5722		BR9EIX	3981
550 INDY LXT		550	2	2014-		0.7	BR9ES	5722		BR9EIX	3981
550 INDY VOYAGER		550	2	2014-		0.7	BR9ES	5722		BR9EIX	3981
550 INTL		550	2	2014-		0.7	BR9ES	5722		BR9EIX	3981
550 IQ LXT		550	2	2011-2013		0.7	BR9ES	5722		BR9EIX	3981
550 IQ LXT INTL		550	2	2011-2013		0.7	BR9ES	5722		BR9EIX	3981
550 IQ SHIFT		550	2	2009-		0.7	BR9ES	5722		BR9EIX	3981
550 IQ SHIFT		550	2	2010-2013		0.7	BR9ES	5722		BR9EIX	3981
550 IQ SHIFT ES		550	2	2010-2013		0.7	BR9ES	5722		BR9EIX	3981
550 IQ SHIFT EURO		550	2	2009-		0.7	BR9ES	5722		BR9EIX	3981
550 IQ SHIFT INTL		550	2	2010-2013		0.7	BR9ES	5722		BR9EIX	3981

*Bitte Elektrodenabstand nach Angaben des Herstellers justieren

*Please adjust the ground electrode gap

*Veuillez vérifier l'écartement

* Por favor, ajustar la distancia entre los electrodos

*Regolare il gap

** Iridium IX Spark Plug is the standard recommendation





Stock No.

Quick No.

Upgrade ↑

Stock No. ↑

POLARIS

550 LX		550	2	2008-		0.7	BR9ES	5722		BR9EIX	3981
550 SHIFT 136		550	2	2011-2013		0.7	BR9ES	5722		BR9EIX	3981
550 SHIFT 136 CND ES		550	2	2011-2013		0.7	BR9ES	5722		BR9EIX	3981
550 SHIFT 136 CND ES INTL		550	2	2011-2013		0.7	BR9ES	5722		BR9EIX	3981
550 SHIFT 136 ES		550	2	2011-2013		0.7	BR9ES	5722		BR9EIX	3981
SPORT TOURING	S00SD5BS	550	2	2000-2000		0.7	BR9ES	5722		BR9EIX	3981
SPORT TOURING	S01SD5BS	550	2	2001-		0.7	BR9ES	5722		BR9EIX	3981
SPORT TOURING	S02SU5BS	550	2	2002-		0.7	BR9ES	5722		BR9EIX	3981
SPORT TOURING	03SU5BSA	550	2	2003-		0.7	BR9ES	5722		BR9EIX	3981
SPORT TOURING	S03SU5BS	550	2	2003-		0.7	BR9ES	5722		BR9EIX	3981
SPORT TOURING	NU5BS/NU5BE	550	2	2004-		0.7	BR9ES	5722		BR9EIX	3981
SPORT TOURING ES	S01ST5BS	550	2	2001-		0.7	BR9ES	5722		BR9EIX	3981
SPORT TOURING ES EURO	S02SD5BE	550	2	2002-		0.7	BR9ES	5722		BR9EIX	3981
SPORT TOURING EURO	E00SD5BU	550	2	2000-2000		0.7	BR9ES	5722		BR9EIX	3981
SPORT TOURING EURO	S01SD5BU	550	2	2001-		0.7	BR9ES	5722		BR9EIX	3981
SPORT TOURING INTL	NU5BS/NU5BE	550	2	2004-		0.7	BR9ES	5722		BR9EIX	3981
SUPERSPORT	099SB5BS	550	2	1999-		0.8	BR8ES	5422	Q207	BR8EIX	5044
SUPERSPORT	S00SB5BSA	550	2	2000-2000		0.7	BR9ES	5722		BR9EIX	3981
SUPERSPORT	S00SB5BS	550	2	2000-2000		0.7	BR9ES	5722		BR9EIX	3981
SUPERSPORT	S02NB5BS	550	2	2002-		0.7	BR9ES	5722		BR9EIX	3981
SUPERSPORT	S05NP5BS	550	2	2005-		0.7	BR9ES	5722		BR9EIX	3981
SUPERSPORT		550	2	2006-		0.7	BR9ES	5722		BR9EIX	3981
SUPERSPORT		550	2	2007-2008		0.7	BR9ES	5722		BR9EIX	3981
SUPERSPORT EDGE	S01NB5BS	550	2	2001-		0.7	BR9ES	5722		BR9EIX	3981
SUPERSPORT EDGE	S01NB5BSA	550	2	2001-		0.7	BR9ES	5722		BR9EIX	3981
SUPERSPORT EDGE	S03NB5BS/ S03NB5BSA	550	2	2003-		0.7	BR9ES	5722		BR9EIX	3981
SUPERSPORT EDGE		550	2	2004-		0.7	BR9ES	5722		BR9EIX	3981
SUPERSPORT EDGE X F/O		550	2	2003-		0.7	BR9ES	5722		BR9EIX	3981
SUPERSPORT EURO		550	2	2007-2008		0.7	BR9ES	5722		BR9EIX	3981
SUPERSPORT M-10 F/O	S03NE5BS	550	2	2003-		0.7	BR9ES	5722		BR9EIX	3981
SUPERSPORT M-10 X F/O	S03NF5BS	550	2	2003-		0.7	BR9ES	5722		BR9EIX	3981
TRAIL ES		550	2	2009-		0.7	BR9ES	5722		BR9EIX	3981
TRAIL ES		550	2	2010-		0.7	BR9ES	5722		BR9EIX	3981
TRAIL EURO		550	2	2008-		0.7	BR9ES	5722		BR9EIX	3981
TRAIL EURO		550	2	2009-		0.7	BR9ES	5722		BR9EIX	3981
TRAIL FLEET		550	2	2008-		0.7	BR9ES	5722		BR9EIX	3981
TRAIL FLEET		550	2	2009-		0.7	BR9ES	5722		BR9EIX	3981
TRAIL RMK	099SR5BS	550	2	1999-		0.8	BR8ES	5422	Q207	BR8EIX	5044
TRAIL RMK	S00SR5BS	550	2	2000-2000		0.7	BR9ES	5722		BR9EIX	3981
TRAIL RMK	S01SR5BS	550	2	2001-		0.7	BR9ES	5722		BR9EIX	3981
TRAIL RMK	S03SR5BS	550	2	2003-		0.7	BR9ES	5722		BR9EIX	3981
TRAIL RMK	S04NJ5BS/ S04NJ5BSA	550	2	2004-		0.7	BR9ES	5722		BR9EIX	3981
TRAIL RMK		550	2	2007-		0.7	BR9ES	5722		BR9EIX	3981
TRAIL RMK		550	2	2008-		0.7	BR9ES	5722		BR9EIX	3981
TRAIL RMK		550	2	2009-		0.7	BR9ES	5722		BR9EIX	3981
TRAIL RMK		550	2	2010-		0.7	BR9ES	5722		BR9EIX	3981
TRAIL RMK 136	S02SR5BS	550	2	2002-		0.7	BR9ES	5722		BR9EIX	3981
TRAIL RMK 136 F/O	S05NJ5BS/ S05NJ5BSA	550	2	2005-		0.7	BR9ES	5722		BR9EIX	3981

*Bitte Elektrodenabstand nach Angaben des Herstellers justieren

*Please adjust the ground electrode gap

*Veuillez vérifier l'écartement

* Por favor, ajustar la distancia entre los electrodos

*Regolare il gap

* Iridium IX Spark Plug is the standard recommendation





Stock No.

Quick No.

Upgrade ↑

Stock No. ↑

POLARIS

TRAIL RMK 136 STOCK		550	2	2006-		0.7	BR9ES	5722		BR9EIX	3981
TRAIL SKS EURO	099SS5BU	550	2	1999-		0.8	BR8ES	5422	Q207	BR8EIX	5044
TRAIL SKS EURO	E99SS5BU	550	2	1999-		0.8	BR8ES	5422	Q207	BR8EIX	5044
TRAIL TOURING	S00ST5BS	550	2	2000-2000		0.7	BR9ES	5722		BR9EIX	3981
TRAIL TOURING	S02ST5BS	550	2	2002-		0.7	BR9ES	5722		BR9EIX	3981
TRAIL TOURING	S03ST5BS	550	2	2003-		0.7	BR9ES	5722		BR9EIX	3981
TRAIL TOURING	S04NT5BS/ S04NT5BSE	550	2	2004-		0.7	BR9ES	5722		BR9EIX	3981
TRAIL TOURING	S05NU5BS	550	2	2005-		0.7	BR9ES	5722		BR9EIX	3981
TRAIL TOURING		550	2	2006-		0.7	BR9ES	5722		BR9EIX	3981
TRAIL TOURING		550	2	2008-		0.7	BR9ES	5722		BR9EIX	3981
TRAIL TOURING		550	2	2009-		0.7	BR9ES	5722		BR9EIX	3981
TRAIL TOURING		550	2	2010-		0.7	BR9ES	5722		BR9EIX	3981
TRAIL TOURING DELUXE		550	2	2007-		0.7	BR9ES	5722		BR9EIX	3981
TRAIL TOURING EURO	S05NU5BS	550	2	2005-		0.7	BR9ES	5722		BR9EIX	3981
TRAIL TOURING FLEET		550	2	2010-		0.7	BR9ES	5722		BR9EIX	3981
TRAIL TOURING INT'L	S04NT5BS/ S04NT5BSE	550	2	2004-		0.7	BR9ES	5722		BR9EIX	3981
TRAIL TOURING INTL		550	2	2010-		0.7	BR9ES	5722		BR9EIX	3981
TRAIL TRANSPORT		550	2	2009-		0.7	BR9ES	5722		BR9EIX	3981
EC58PL-02		597	3	-		0.7	BR8ES	5422	Q207	BR8EIX	5044
EC58PL-03		597	3	-		0.7	BR8ES	5422	Q207	BR8EIX	5044
EC58PL-07		597	3	-		0.7	BR8ES	5422	Q207	BR8EIX	5044
EC58PL-08		597	3	-		0.7	BR9ES	5722		BR9EIX	3981
EC58PL-09		597	3	-		0.7	BR9ES	5722		BR9EIX	3981
EC58PL-12		597	3	-		0.7	BR9ES	5722		BR9EIX	3981
EC59PL-01		597	3	-		0.7	BR9ES	5722		BR9EIX	3981
600		600	2	2008-		0.6	BR10EG	3830			
600 ALL OPTIONS		600	2	2008-		0.6	BR10EG	3830			
600 CLASSIC	S02ND6ES	600	2	2002-		0.6	BR10EG	3830			
600 CLASSIC	S03ND6ES	600	2	2003-		0.6	BR10EG	3830			
600 CLASSIC	S04ND6ES	600	2	2004-		0.6	BR10EG	3830			
600 CLASSIC	S05ND6ES	600	2	2005-		0.6	BR10EG	3830			
600 CLASSIC		600	2	2006-		0.6	BR10EG	3830			
600 CLASSIC EDGE	S01ND6DS	600	2	2001-		0.6	BR10EG	3830			
600 CLASSIC TOUR-ING	S01ST6ES	600	2	2001-		0.6	BR10EG	3830			
600 CLASSIC TOUR-ING	S02ST6ESA	600	2	2002-		0.6	BR10EG	3830			
600 CLASSIC TOUR-ING	S02ST6ES	600	2	2002-		0.6	BR10EG	3830			
600 CLASSIC TOUR-ING	S02T6ES/ S02T6ESA	600	2	2003-		0.6	BR10EG	3830			
600 CLASSIC TOUR-ING INTL	S04NT6ES/ S04NT6EE	600	2	2004-		0.6	BR10EG	3830			
600 CLEANFIRE SWITCHBACK		600	2	2007-		0.6	BR10EG	3830			
600 DRAGON		600	2	2009-		0.6	BR10EG	3830			
600 DRAGON ES EURO		600	2	2009-		0.6	BR10EG	3830			
600 DRAGON SP		600	2	2009-		0.6	BR10EG	3830			
600 DRAGON SWITCHBACK		600	2	2008-		0.6	BR10EG	3830			
600 DRAGON SWITCHBACK ALL OPTIONS		600	2	2010-		0.6	BR10EG	3830			
600 DRAGON SWITCHBACK ALL OPTIONS		600	2	2008-		0.6	BR10EG	3830			

*Bitte Elektrodenabstand nach Angaben des Herstellers justieren

*Please adjust the ground electrode gap

*Veuillez vérifier l'écartement

* Por favor, ajustar la distancia entre los electrodos

*Regolare il gap

** Iridium IX Spark Plug is the standard recommendation





Stock No.

Quick No.

Upgrade ↑

Stock No. ↑

POLARIS

600 EDGE TOURING		600	2	2005-		0.6	BR10EG	3830			
600 EDGE TOURING		600	2	2006-		0.6	BR10EG	3830			
600 EURO		600	2	2008-		0.6	BR10EG	3830			
600 EURO		600	2	2009-		0.6	BR10EG	3830			
600 HO FUSION F/O		600	2	2006-		0.6	BR10EG	3830			
600 HO IQ		600	2	2007-		0.6	BR10EG	3830			
600 HO IQ F/O		600	2	2007-		0.6	BR10EG	3830			
600 HO IQ LX CLEAN-FIRE		600	2	2007-		0.6	BR10EG	3830			
600 HO IQ TOURING CLEANFIRE		600	2	2007-		0.6	BR10EG	3830			
600 HO IQ TOURING CLEANFIRE EURO		600	2	2007-		0.6	BR10EG	3830			
600 HO RMK 144 F/O		600	2	2006-		0.6	BR10EG	3830			
600 HO SWITCHBACK F/O		600	2	2006-2007		0.6	BR10EG	3830			
600 INDY	INDY	600	2	2013-		0.7	BPR9ES	7788		BPR9EIX	6853
600 INDY	INDY	600	2	2014-		0.7	BPR9ES	7788		BPR9EIX	6853
600 INDY ALL OPTIONS	INDY	600	2	2013-		0.7	BPR9ES	7788		BPR9EIX	6853
600 INDY ALL OPTIONS	INDY	600	2	2014-		0.7	BPR9ES	7788		BPR9EIX	6853
600 INDY ES	INDY	600	2	2013-		0.7	BPR9ES	7788		BPR9EIX	6853
600 INDY ES	INDY	600	2	2014-		0.7	BPR9ES	7788		BPR9EIX	6853
600 INDY INTL	INDY	600	2	2013-		0.7	BPR9ES	7788		BPR9EIX	6853
600 INDY INTL	INDY	600	2	2014-		0.7	BPR9ES	7788		BPR9EIX	6853
600 INDY SP	INDY	600	2	2013-		0.7	BPR9ES	7788		BPR9EIX	6853
600 INDY SP	INDY	600	2	2014-		0.7	BPR9ES	7788		BPR9EIX	6853
600 INDY VOYAGER	INDY	600	2	2014-		0.7	BPR9ES	7788		BPR9EIX	6853
600 INDY VOYAGER INTL	INDY	600	2	2014-		0.7	BPR9ES	7788		BPR9EIX	6853
600 IQ		600	2	2009-		0.6	BR10EG	3830			
600 IQ ES		600	2	2009-		0.6	BR10EG	3830			
600 IQ ES EURO		600	2	2009-		0.6	BR10EG	3830			
600 IQ LX		600	2	2008-		0.6	BR10EG	3830			
600 IQ LXT		600	2	2011-2014		0.6	BR10EG	3830			
600 IQ LXT INTL		600	2	2011-2014		0.6	BR10EG	3830			
600 IQ RACER		600	2	2008-2009		0.6	BR10EG	3830			
600 IQ RACER		600	2	2010-		0.6	BR10EG	3830			
600 IQ RACER		600	2	2011-2014		0.6	BR10EG	3830			
600 IQ RACER EURO		600	2	2008-2009		0.6	BR10EG	3830			
600 IQ RACER INTL		600	2	2011-2014		0.6	BR10EG	3830			
600 IQ SHIFT		600	2	2008-2009		0.6	BR10EG	3830			
600 IQ SHIFT		600	2	2010-2012		0.6	BR10EG	3830			
600 IQ SHIFT 136		600	2	2009-		0.7	BPR9ES	7788		BPR9EIX	6853
600 IQ SHIFT 136 EURO		600	2	2009-		0.7	BPR9ES	7788		BPR9EIX	6853
600 IQ SHIFT ES		600	2	2010-2012		0.6	BR10EG	3830			
600 IQ SHIFT EURO		600	2	2008-2009		0.6	BR10EG	3830			
600 IQ SHIFT INTL		600	2	2010-2012		0.6	BR10EG	3830			
600 IQ TOURING		600	2	2008-		0.6	BR10EG	3830			
600 IQ TOURING		600	2	2009-		0.6	BR10EG	3830			
600 IQ TOURING		600	2	2010-		0.6	BR10EG	3830			
600 IQ TOURING EURO		600	2	2008-		0.6	BR10EG	3830			
600 IQ TOURING EURO		600	2	2009-		0.6	BR10EG	3830			
600 IQ TOURING INTL		600	2	2010-		0.6	BR10EG	3830			

* Bitte Elektrodenabstand nach Angaben des Herstellers justieren

* Please adjust the ground electrode gap

* Veuillez vérifier l'écartement

* Por favor, ajustar la distancia entre los electrodos

* Regolare il gap

* Iridium IX Spark Plug is the standard recommendation





Stock No.

Quick No.

Upgrade ↑

Stock No. ↑

POLARIS

600 Pro RMK 155		600	2	2012-		0.7	BPR9ES	7788		BPR9EIX	6853
600 Pro RMK 155		600	2	2013-2014		0.7	BPR9ES	7788		BPR9EIX	6853
600 PRO X	S01NX6ES	600	2	2001-		0.6	BR10EG	3830			
600 PRO X	S02NX6ES	600	2	2002-		0.6	BR10EG	3830			
600 PRO X	S03NX6ES	600	2	2003-		0.6	BR10EG	3830			
600 PRO X	S04NX6ES	600	2	2004-		0.6	BR10EG	3830			
600 PRO X2	S04NX6ES	600	2	2004-		0.6	BR10EG	3830			
600 RMK		600	2	1998-		0.7	BR9ES	5722		BR9EIX	3981
600 RMK		600	2	1999-		0.7	BR9ES	5722		BR9EIX	3981
600 RMK		600	2	2000-2000		0.6	BR10EG	3830			
600 RMK		600	2	2010-2011		0.6	BR10EG	3830			
600 RMK 136		600	2	2001-		0.6	BR10EG	3830			
600 RMK 136		600	2	2002-		0.6	BR10EG	3830			
600 RMK 144		600	2	2003-		0.6	BR10EG	3830			
600 RMK 144		600	2	2007-		0.6	BR10EG	3830			
600 RMK 144		600	2	2008-		0.6	BR10EG	3830			
600 RMK 144		600	2	2010-2011		0.6	BR10EG	3830			
600 RMK 144		600	2	2012-		0.7	BPR9ES	7788		BPR9EIX	6853
600 RMK 144		600	2	2013-		0.7	BPR9ES	7788		BPR9EIX	6853
600 RMK 144		600	2	2014-		0.7	BPR9ES	7788		BPR9EIX	6853
600 RMK 144 ES		600	2	2012-		0.7	BPR9ES	7788		BPR9EIX	6853
600 RMK 144 EURO		600	2	2008-		0.6	BR10EG	3830			
600 RMK 144 INTL		600	2	2012-		0.7	BPR9ES	7788		BPR9EIX	6853
600 RMK 155		600	2	2007-		0.6	BR10EG	3830			
600 RMK 155		600	2	2008-		0.6	BR10EG	3830			
600 RMK 155		600	2	2010-2011		0.6	BR10EG	3830			
600 RMK 155		600	2	2012-		0.7	BPR9ES	7788		BPR9EIX	6853
600 RMK 155		600	2	2013-		0.7	BPR9ES	7788		BPR9EIX	6853
600 RMK 155		600	2	2014-		0.7	BPR9ES	7788		BPR9EIX	6853
600 RMK 155 ALL OPTIONS		600	2	2012-		0.7	BPR9ES	7788		BPR9EIX	6853
600 RMK 155 ES		600	2	2012-		0.7	BPR9ES	7788		BPR9EIX	6853
600 RMK ALL OPTIONS		600	2	2013-		0.7	BPR9ES	7788		BPR9EIX	6853
600 RMK ES		600	2	2010-2011		0.6	BR10EG	3830			
600 RMK EUROPEAN	E980958	600	2	1998-		0.7	BR9ES	5722		BR9EIX	3981
600 RMK F/O	S04NK6ES	600	2	2004-		0.6	BR10EG	3830			
600 RMK F/O	S05NK6ES	600	2	2005-		0.6	BR10EG	3830			
600 RMK INTL		600	2	2010-2011		0.6	BR10EG	3830			
600 RMK SHIFT		600	2	2008-		0.6	BR10EG	3830			
600 RMK SHIFT 144	RMK	600	2	2009-		0.7	BPR9ES	7788		BPR9EIX	6853
600 RMK SHIFT 155	RMK	600	2	2009-		0.7	BPR9ES	7788		BPR9EIX	6853
600 RMK SHIFT EURO		600	2	2008-		0.6	BR10EG	3830			
600 RMK SHIFT EURO	RMK	600	2	2009-		0.7	BPR9ES	7788		BPR9EIX	6853
600 RR		600	2	2008-2009		0.6	BR10EG	3830			
600 RR EURO		600	2	2008-2009		0.6	BR10EG	3830			
600 RUSH		600	2	2011-		0.7	BPR9ES	7788		BPR9EIX	6853
600 Rush		600	2	2012-		0.7	BPR9ES	7788		BPR9EIX	6853
600 Rush		600	2	2013-		0.7	BPR9ES	7788		BPR9EIX	6853
600 RUSH ALL OPTIONS		600	2	2011-		0.7	BPR9ES	7788		BPR9EIX	6853
600 RUSH ES		600	2	2011-		0.7	BPR9ES	7788		BPR9EIX	6853
600 Rush ES		600	2	2012-		0.7	BPR9ES	7788		BPR9EIX	6853
600 Rush ES		600	2	2013-		0.7	BPR9ES	7788		BPR9EIX	6853

*Bitte Elektrodenabstand nach Angaben des Herstellers justieren

*Please adjust the ground electrode gap

*Veuillez vérifier l'écartement

* Por favor, ajustar la distancia entre los electrodos

*Regolare il gap

** Iridium IX Spark Plug is the standard recommendation





Stock No.

Quick No.

Upgrade ↑

Stock No. ↑

POLARIS

600 RUSH LX		600	2	2011-		0.7	BPR9ES	7788		BPR9EIX	6853
600 RUSH LX RETRO		600	2	2011-		0.7	BPR9ES	7788		BPR9EIX	6853
600 Rush Pro R		600	2	2013-		0.7	BPR9ES	7788		BPR9EIX	6853
600 Rush Pro R		600	2	2014-		0.7	BPR9ES	7788		BPR9EIX	6853
600 RUSH PRO-R		600	2	2011-		0.7	BPR9ES	7788		BPR9EIX	6853
600 RUSH PRO-R		600	2	2012-		0.7	BPR9ES	7788		BPR9EIX	6853
600 RUSH PRO-R ALL OPTIONS		600	2	2011-		0.7	BPR9ES	7788		BPR9EIX	6853
600 RUSH PRO-R ALL OPTIONS		600	2	2012-		0.7	BPR9ES	7788		BPR9EIX	6853
600 Rush Pro R ES		600	2	2013-		0.7	BPR9ES	7788		BPR9EIX	6853
600 Rush Pro R ES		600	2	2014-		0.7	BPR9ES	7788		BPR9EIX	6853
600 RUSH PRO-R ES		600	2	2011-		0.7	BPR9ES	7788		BPR9EIX	6853
600 RUSH PRO-R ES		600	2	2012-		0.7	BPR9ES	7788		BPR9EIX	6853
600 Rush Pro R INTL		600	2	2013-		0.7	BPR9ES	7788		BPR9EIX	6853
600 Rush Pro R INTL		600	2	2014-		0.7	BPR9ES	7788		BPR9EIX	6853
600 RUSH PRO-R INTL		600	2	2012-		0.7	BPR9ES	7788		BPR9EIX	6853
600 Rush Pro R Retro		600	2	2013-		0.7	BPR9ES	7788		BPR9EIX	6853
600 RUSH PRO-R RETRO		600	2	2011-		0.7	BPR9ES	7788		BPR9EIX	6853
600 RUSH PRO-R SC		600	2	2012-		0.7	BPR9ES	7788		BPR9EIX	6853
600 RUSH PRO-R SP		600	2	2012-		0.7	BPR9ES	7788		BPR9EIX	6853
600 RUSH RETRO ES		600	2	2011-		0.7	BPR9ES	7788		BPR9EIX	6853
600 SHIFT 136		600	2	2011-		0.6	BR10EG	3830			
600 SHIFT 136 ES		600	2	2011-		0.6	BR10EG	3830			
600 SHIFT 136 INTL		600	2	2011-		0.6	BR10EG	3830			
600 SKS EUROPEAN	E99SS6DU	600	2	1999-		0.7	BR9ES	5722		BR9EIX	3981
600 SWITCHBACK	S04NS6ES	600	2	2004-		0.6	BR10EG	3830			
600 SWITCHBACK		600	2	2008-		0.6	BR10EG	3830			
600 SWITCHBACK		600	2	2009-		0.6	BR10EG	3830			
600 SWITCHBACK		600	2	2010-		0.6	BR10EG	3830			
600 SWITCHBACK		600	2	2011-		0.6	BR10EG	3830			
600 SWITCHBACK		600	2	2012-		0.7	BPR9ES	7788		BPR9EIX	6853
600 SWITCHBACK		600	2	2013-		0.7	BPR9ES	7788		BPR9EIX	6853
600 SWITCHBACK		600	2	2014-		0.7	BPR9ES	7788		BPR9EIX	6853
600 SWITCHBACK ADVENTURE		600	2	2012-		0.7	BPR9ES	7788		BPR9EIX	6853
600 SWITCHBACK ASSAULT ALL OPTIONS		600	2	2014-		0.7	BPR9ES	7788		BPR9EIX	6853
600 SWITCHBACK ES		600	2	2010-		0.6	BR10EG	3830			
600 SWITCHBACK ES		600	2	2011-		0.6	BR10EG	3830			
600 SWITCHBACK ES		600	2	2012-		0.7	BPR9ES	7788		BPR9EIX	6853
600 SWITCHBACK ES		600	2	2013-		0.7	BPR9ES	7788		BPR9EIX	6853
600 SWITCHBACK ES		600	2	2014-		0.7	BPR9ES	7788		BPR9EIX	6853
600 SWITCHBACK F/O	S05NS6ES	600	2	2005-		0.6	BR10EG	3830			
600 SWITCHBACK INTL		600	2	2010-		0.6	BR10EG	3830			
600 SWITCHBACK INTL ALL OPTIONS		600	2	2010-		0.6	BR10EG	3830			
600 SWITCHBACK LX		600	2	2010-		0.6	BR10EG	3830			
600 SWITCHBACK PRO R		600	2	2013-		0.7	BPR9ES	7788		BPR9EIX	6853
600 SWITCHBACK PRO R		600	2	2014-		0.7	BPR9ES	7788		BPR9EIX	6853
600 SWITCHBACK PRO-R		600	2	2012-		0.7	BPR9ES	7788		BPR9EIX	6853
600 SWITCHBACK PRO R ES		600	2	2013-		0.7	BPR9ES	7788		BPR9EIX	6853

* Bitte Elektrodenabstand nach Angaben des Herstellers justieren

* Please adjust the ground electrode gap

* Veuillez vérifier l'écartement

* Por favor, ajustar la distancia entre los electrodos

* Regolare il gap

* Iridium IX Spark Plug is the standard recommendation





Stock No.

Quick No.

Upgrade ↑

Stock No. ↑

POLARIS

600 SWITCHBACK PRO R ES		600	2	2014-		0.7	BPR9ES	7788		BPR9EIX	6853
600 SWITCHBACK PRO R INTL		600	2	2013-		0.7	BPR9ES	7788		BPR9EIX	6853
600 SWITCHBACK PRO R INTL		600	2	2014-		0.7	BPR9ES	7788		BPR9EIX	6853
600 SWITCHBACK PRO R RETRO		600	2	2013-		0.7	BPR9ES	7788		BPR9EIX	6853
600 TOURING	S00ST6ES	600	2	2000-2000		0.6	BR10EG	3830			
600 TRIUMPH	S00SB6AS	600	2	2000-2000		0.7	BR9ES	5722		BR9EIX	3981
600 WIDETRACK IQ		600	2	2010-2014		0.7	BPR9ES	7788		BPR9EIX	6853
600 WIDETRACK IQ INTL		600	2	2010-2014		0.7	BPR9ES	7788		BPR9EIX	6853
600 XC	0971776	600	3	1997-		0.7	BR9ES	5722		BR9EIX	3981
600 XC	0981758	600	2	1998-		0.7	BR9ES	5722		BR9EIX	3981
600 XC	099SB6DS	600	2	1999-		0.7	BR9ES	5722		BR9EIX	3981
600 XC DELUXE	S00SD6DS	600	2	2000-2000		0.6	BR10EG	3830			
600 XC EDGE F/O	S03NP6ES	600	2	2003-		0.6	BR10EG	3830			
600 XC EUROPEAN	E971776	600	3	1997-		0.7	BR9ES	5722		BR9EIX	3981
600 XCR	0941667	600	3	1994-		0.7	BR9ES	5722		BR9EIX	3981
600 XCR	0951676	600	3	1995-		0.7	BR9ES	5722		BR9EIX	3981
600 XCR	0961676	600	3	1996-		0.7	BR9ES	5722		BR9EIX	3981
600 XCR	0965677	600	3	1996-		0.7	BR9ES	5722		BR9EIX	3981
600 XCR	0975677	600	3	1997-		0.7	BR9ES	5722		BR9EIX	3981
600 XCR	0985677	600	3	1998-		0.7	BR9ES	5722		BR9EIX	3981
600 XCR EUROPEAN	E961676	600	3	1996-		0.7	BR9ES	5722		BR9EIX	3981
600 XCR EUROPEAN	E965677	600	3	1996-		0.7	BR9ES	5722		BR9EIX	3981
600 XCR SE	H975677	600	3	1997-		0.7	BR9ES	5722		BR9EIX	3981
600 XCR SE EUROPEAN	E975677	600	3	1997-		0.7	BR9ES	5722		BR9EIX	3981
600 XC SP	099SP6DS	600	2	1999-		0.7	BR9ES	5722		BR9EIX	3981
600 XC SP	S01NP6ES	600	2	2001-		0.6	BR10EG	3830			
600 XC SP	01NP6ESA	600	2	2001-		0.6	BR10EG	3830			
600 XC SP	01NP6ESB	600	2	2001-		0.6	BR10EG	3830			
600 XC SP	01NP6ESX	600	2	2001-		0.6	BR10EG	3830			
600 XC SP	02NP6ESB	600	2	2002-		0.6	BR10EG	3830			
600 XC SP	02NP6ESA	600	2	2002-		0.6	BR10EG	3830			
600 XC SP EDGE	S00NP6ES	600	2	2000-2000		0.6	BR10EG	3830			
600 XC SP EDGE	S04NP5CS	600	2	2004-		0.6	BR10EG	3830			
600 XC SP EDGE	S05NE5CS	600	2	2005-		0.6	BR10EG	3830			
600 XC SP EDGE M-10	S04NP5CS	600	2	2004-		0.6	BR10EG	3830			
600 XC SP EDGE M-10	S05NE5CS	600	2	2005-		0.6	BR10EG	3830			
600 XC SP EDGE M-10 F/O	S03NE6ES	600	2	2003-		0.6	BR10EG	3830			
600 XC SP EDGE M-10 F/O	S03NF6ES	600	2	2003-		0.6	BR10EG	3830			
600 XC SP EDGE S03	NP6ESA/ NP6ESB	600	2	2003-		0.6	BR10EG	3830			
600 XC SP EDGE X F/O	S03NA6ES	600	2	2003-		0.6	BR10EG	3830			
600 XC SP EV	S00SP6ES	600	2	2000-2000		0.6	BR10EG	3830			
600 XC SP F/O	S02NP6ES	600	2	2002-		0.6	BR10EG	3830			
600 XC SP M-10 F/O	S02NE6ES	600	2	2002-		0.6	BR10EG	3830			
600 XC TWIN	0971758	600	2	1996-		0.7	BR9ES	5722		BR9EIX	3981
600 XLT	0930767	600	3	1993-		0.7	BR9ES	5722		BR9EIX	3981
600 XLT	0940756	600	3	1994-		0.8	BR8ES	5422	Q207	BR8EIX	5044
600 XLT	0950756	600	3	1995-		0.8	BR8ES	5422	Q207	BR8EIX	5044
600 XLT	0966756	600	3	1996-		0.8	BR8ES	5422	Q207	BR8EIX	5044

*Bitte Elektrodenabstand nach Angaben des Herstellers justieren

*Please adjust the ground electrode gap

*Veuillez vérifier l'écartement

* Por favor, ajustar la distancia entre los electrodos

*Regolare il gap

**Iridium IX Spark Plug is the standard recommendation





Stock No.

Quick No.

Upgrade ↑

Stock No. ↑

POLARIS

600 XLT	0970756	600	3	1997-		0.8	BR8ES	5422	Q207	BR8EIX	5044
600 XLT CLASSIC	0983857	600	3	1998-		0.7	BR9ES	5722		BR9EIX	3981
600 XLT CLASSIC	099ED6AS	600	3	1999-		0.8	BR8ES	5422	Q207	BR8EIX	5044
600 XLT EUROPEAN	E930767	600	3	1993-		0.7	BR9ES	5722		BR9EIX	3981
600 XLT EUROPEAN	E940756	600	3	1994-		0.8	BR8ES	5422	Q207	BR8EIX	5044
600 XLT LTD	0973756	600	3	1997-		0.8	BR8ES	5422	Q207	BR8EIX	5044
600 XLT LTD	0983756	600	3	1998-		0.8	BR8ES	5422	Q207	BR8EIX	5044
600 XLT LTD EUROPEAN	E973756	600	3	1997-		0.8	BR8ES	5422	Q207	BR8EIX	5044
600 XLT LTD SP	0973776	600	3	1997-		0.7	BR9ES	5722		BR9EIX	3981
600 XLT RMK	0950956	600	3	1995-		0.8	BR8ES	5422	Q207	BR8EIX	5044
600 XLT RMK	0960956	600	3	1996-		0.8	BR8ES	5422	Q207	BR8EIX	5044
600 XLT RMK	0970956	600	3	1997-		0.8	BR8ES	5422	Q207	BR8EIX	5044
600 XLT SKS	0930567	600	3	1993-		0.7	BR9ES	5722		BR9EIX	3981
600 XLT SKS	0940567	600	3	1994-		0.8	BR8ES	5422	Q207	BR8EIX	5044
600 XLT SKS	0950556	600	3	1995-		0.8	BR8ES	5422	Q207	BR8EIX	5044
600 XLT SKS	0960556	600	3	1996-		0.8	BR8ES	5422	Q207	BR8EIX	5044
600 XLT SKS	0970556	600	3	1997-		0.8	BR8ES	5422	Q207	BR8EIX	5044
600 XLT SKS EUROPEAN	E930567	600	3	1993-		0.7	BR9ES	5722		BR9EIX	3981
600 XLT SKS EUROPEAN	E940567	600	3	1994-		0.8	BR8ES	5422	Q207	BR8EIX	5044
600 XLT SKS EUROPEAN	E950556	600	3	1995-		0.8	BR8ES	5422	Q207	BR8EIX	5044
600 XLT SKS EUROPEAN	0960556	600	3	1996-		0.8	BR8ES	5422	Q207	BR8EIX	5044
600 XLT SP	0920767	600	3	1992-		0.7	BR9ES	5722		BR9EIX	3981
600 XLT SP	0930667	600	3	1993-		0.7	BR9ES	5722		BR9EIX	3981
600 XLT SP	0940667	600	3	1994-		0.8	BR8ES	5422	Q207	BR8EIX	5044
600 XLT SP	0956756	600	3	1995-		0.8	BR8ES	5422	Q207	BR8EIX	5044
600 XLT SP	0966676	600	3	1996-		0.7	BR9ES	5722		BR9EIX	3981
600 XLT SP	0976676	600	3	1997-		0.8	BR8ES	5422	Q207	BR8EIX	5044
600 XLT SP	0985776	600	3	1998-		0.7	BR9ES	5722		BR9EIX	3981
600 XLT SP	099AB6AS	600	3	1999-		0.7	BR9ES	5722		BR9EIX	3981
600 XLT SP 48" STANCE	0956456	600	3	1995-		0.8	BR8ES	5422	Q207	BR8EIX	5044
600 XLT SP EUROPEAN	E930667	600	3	1993-		0.7	BR9ES	5722		BR9EIX	3981
600 XLT SP EUROPEAN	E940667	600	3	1994-		0.8	BR8ES	5422	Q207	BR8EIX	5044
600 XLT SP EUROPEAN	E956756	600	3	1995-		0.8	BR8ES	5422	Q207	BR8EIX	5044
600 XLT SP EUROPEAN	0966676	600	3	1996-		0.7	BR9ES	5722		BR9EIX	3981
600 XLT SP LT	0956756	600	3	1995-		0.8	BR8ES	5422	Q207	BR8EIX	5044
600 XLT SP XTRA	0946767	600	3	1994-		0.8	BR8ES	5422	Q207	BR8EIX	5044
600 XLT TOURING	0952857	600	3	1995-		0.8	BR8ES	5422	Q207	BR8EIX	5044
600 XLT TOURING	0963357	600	3	1996-		0.8	BR8ES	5422	Q207	BR8EIX	5044
600 XLT TOURING	0973357	600	3	1997-		0.8	BR8ES	5422	Q207	BR8EIX	5044
600 XLT TOURING	0983357	600	3	1998-		0.8	BR8ES	5422	Q207	BR8EIX	5044
600 XLT TOURING	99ET6ASA	600	3	1999-		0.8	BR8ES	5422	Q207	BR8EIX	5044
600 XLT TOURING	099ET6AS	600	3	1999-		0.8	BR8ES	5422	Q207	BR8EIX	5044
600 XLT TOURING EUROPEAN	E952857	600	3	1995-		0.8	BR8ES	5422	Q207	BR8EIX	5044
600 XLT TOURING EUROPEAN	E963357	600	3	1996-		0.8	BR8ES	5422	Q207	BR8EIX	5044
600 XLT TOURING EUROPEAN	E973357	600	3	1997-		0.8	BR8ES	5422	Q207	BR8EIX	5044
601 SWITCHBACK ADVENTURE		600	2	2013-		0.7	BPR9ES	7788		BPR9EIX	6853

*Bitte Elektrodenabstand nach Angaben des Herstellers justieren

*Please adjust the ground electrode gap

*Veuillez vérifier l'écartement

* Por favor, ajustar la distancia entre los electrodos

*Regolare il gap

* Iridium IX Spark Plug is the standard recommendation





Stock No.

Quick No.

Upgrade ↑

Stock No. ↑

POLARIS

602 SWITCHBACK ADVENTURE		600	2	2014-		0.7	BPR9ES	7788		BPR9EIX	6853
EC65PL-01		648	3	-		0.6	BR9ES	5722		BR9EIX	3981
EC65PL-02		648	3	-		0.6	BR9ES	5722		BR9EIX	3981
EC65PL-03		648	3	-		0.6	BR9ES	5722		BR9EIX	3981
EC65PL-05		648	3	-		0.6	BR9ES	5722		BR9EIX	3981
650	0880758	650	3	1988-		0.7	BR9ES	5722		BR9EIX	3981
650	0890758	650	3	1989-1989		0.7	BR9ES	5722		BR9EIX	3981
650	0900758	650	3	1990-		0.7	BR9ES	5722		BR9EIX	3981
650	0910758	650	3	1991-		0.7	BR9ES	5722		BR9EIX	3981
650	0920758	650	3	1992-		0.7	BR9ES	5722		BR9EIX	3981
650 FIN	F880758	650	3	1988-		0.7	BR9ES	5722		BR9EIX	3981
650 FIN	F900758	650	3	1990-		0.7	BR9ES	5722		BR9EIX	3981
650 NOR	N890758	650	3	1989-1989		0.7	BR9ES	5722		BR9EIX	3981
650 NOR	N900758	650	3	1990-		0.7	BR9ES	5722		BR9EIX	3981
650 RXL	0900768	650	3	1990-		0.7	BR9ES	5722		BR9EIX	3981
650 RXL	0910768	650	3	1991-		0.7	BR9ES	5722		BR9EIX	3981
650 RXL	0920768	650	3	1992-		0.7	BR9ES	5722		BR9EIX	3981
650 RXL	0930768	650	3	1993-		0.7	BR9ES	5722		BR9EIX	3981
650 RXL	0940768	650	3	1994-		0.7	BR9ES	5722		BR9EIX	3981
650 RXL	0956168	650	3	1995-		0.7	BR9ES	5722		BR9EIX	3981
650 RXL	0966768	650	3	1996-		0.7	BR9ES	5722		BR9EIX	3981
650 RXL	0976768	650	3	1997-		0.7	BR9ES	5722		BR9EIX	3981
650 RXL EUROPEAN	E930768	650	3	1993-		0.7	BR9ES	5722		BR9EIX	3981
650 RXL LT	0956768	650	3	1995-		0.7	BR9ES	5722		BR9EIX	3981
650 RXL SKS	0910568	650	3	1991-		0.7	BR9ES	5722		BR9EIX	3981
650 RXL SKS	0920568	650	3	1992-		0.7	BR9ES	5722		BR9EIX	3981
650 RXL SKS	0930568	650	3	1993-		0.7	BR9ES	5722		BR9EIX	3981
650 RXL SKS EUROPEAN	E930568	650	3	1993-		0.7	BR9ES	5722		BR9EIX	3981
650 RXL SKS FINLAND	F920568	650	3	1992-		0.7	BR9ES	5722		BR9EIX	3981
650 RXL SKS SWE	S910568	650	3	1991-		0.7	BR9ES	5722		BR9EIX	3981
650 RXL SKS SWE	S920568	650	3	1992-		0.7	BR9ES	5722		BR9EIX	3981
650 RXL SWE	S910768	650	3	1991-		0.7	BR9ES	5722		BR9EIX	3981
650 RXL SWE	S920768	650	3	1992-		0.7	BR9ES	5722		BR9EIX	3981
650 RXL TOURING	0940869	650	3	1994-		0.7	BR9ES	5722		BR9EIX	3981
650 RXL TOURING	0950869	650	3	1995-		0.7	BR9ES	5722		BR9EIX	3981
650 RXL TOURING EUROPEAN	E940869	650	3	1994-		0.7	BR9ES	5722		BR9EIX	3981
650 SKS	0880558	650	3	1988-		0.7	BR9ES	5722		BR9EIX	3981
650 SKS	0890558	650	3	1989-1989		0.7	BR9ES	5722		BR9EIX	3981
650 SKS	0900558	650	3	1990-		0.7	BR9ES	5722		BR9EIX	3981
650 SKS FIN	0880558	650	3	1988-		0.7	BR9ES	5722		BR9EIX	3981
650 SKS FIN	F890558	650	3	1989-1989		0.7	BR9ES	5722		BR9EIX	3981
650 SKS FIN	F900558	650	3	1990-		0.7	BR9ES	5722		BR9EIX	3981
650 SKS NOR	N880558	650	3	1988-		0.7	BR9ES	5722		BR9EIX	3981
650 SKS NOR	N890558	650	3	1989-1989		0.7	BR9ES	5722		BR9EIX	3981
650 SKS NOR	N900558	650	3	1990-		0.7	BR9ES	5722		BR9EIX	3981
650 SKS SWE	S880558	650	3	1988-		0.7	BR9ES	5722		BR9EIX	3981
650 SKS SWE	S890558	650	3	1989-1989		0.7	BR9ES	5722		BR9EIX	3981
650 SKS SWE	S900558	650	3	1990-		0.7	BR9ES	5722		BR9EIX	3981
650 SWE	S910758	650	3	1991-		0.7	BR9ES	5722		BR9EIX	3981
650 SWE	S920758	650	3	1992-		0.7	BR9ES	5722		BR9EIX	3981
EC66PL-01		679		-		0.7	BR8ES	5422	Q207	BR8EIX	5044

*Bitte Elektrodenabstand nach Angaben des Herstellers justieren

*Please adjust the ground electrode gap

*Veuillez vérifier l'écartement

* Por favor, ajustar la distancia entre los electrodos

*Regolare il gap

** Iridium IX Spark Plug is the standard recommendation





Stock No.

Quick No.

Upgrade ↑

Stock No. ↑

POLARIS

EC66PL-04		679		-		0.7	BR8ES	5422	Q207	BR8EIX	5044
EC68PL-01		679	3	-		0.7	BR9ES	5722		BR9EIX	3981
EC68PL-03		679	3	-		0.7	BR9ES	5722		BR9EIX	3981
EC68PL-04		679	3	-		0.7	BR9ES	5722		BR9EIX	3981
700 CLASSIC	S01SD7AS	700	2	2001-		0.6	BR10EG	3830			
700 CLASSIC	S02ND7CS	700	2	2002-		0.6	BR10EG	3830			
700 CLASSIC	S03ND7CS	700	2	2003-		0.6	BR10EG	3830			
700 CLASSIC	S04ND7CS	700	2	2004-		0.6	BR10EG	3830			
700 CLASSIC		700	2	2006-		0.6	BR10EG	3830			
700 CLASSIC TOURIN	S04NT6ES/ S04NT6EE	700	2	2004-		0.6	BR10EG	3830			
700 CLASSIC TOUR- ING	S03NT7CS	700	2	2003-		0.6	BR10EG	3830			
700 CLEANFIRE DRA		700	2	2007-		0.6	BR10EG	3830			
700 DRAGON SWITCH- BACK	Swichback	700	2	2008-		0.6	BR10EG	3830			
700 EDGE RMK CC	S03NS7CS	700	2	2003-		0.6	BR10EG	3830			
700 FUSION F/O		700	2	2006-		0.6	BR10EG	3830			
700 HO TOURING		700	2	2006-		0.6	BR10EG	3830			
700 IQ		700	2	2008-		0.6	BR10EG	3830			
700 PRO X	S03NX7CS	700	2	2003-		0.6	BR10EG	3830			
700 PRO X	S04NX6ES	700	2	2004-		0.6	BR10EG	3830			
700 PRO X2	S04NX6ES	700	2	2004-		0.6	BR10EG	3830			
700 RM		700	2	2009-		0.6	BR10EG	3830			
700 RMK	0970966	700	2	1997-		0.7	BR9ES	5722		BR9EIX	3981
700 RMK	0980966	700	2	1998-		0.7	BR9ES	5722		BR9EIX	3981
700 RMK	99SR7ASA	700	2	1999-		0.7	BR9ES	5722		BR9EIX	3981
700 RMK	099SR7AS	700	2	1999-		0.7	BR9ES	5722		BR9EIX	3981
700 RMK	S00SR7ASA	700	2	2000-2000		0.6	BR10EG	3830			
700 RMK	S00SR7AS	700	2	2000-2000		0.6	BR10EG	3830			
700 RMK		700	2	2006-		0.6	BR10EG	3830			
700 RMK 136	S01SR7AS	700	2	2001-		0.6	BR10EG	3830			
700 RMK 136	S02NJ7CS	700	2	2002-		0.6	BR10EG	3830			
700 RMK 136 STOCK	S02NJ7CSA	700	2	2002-		0.6	BR10EG	3830			
700 RMK 144	S01SM7AS	700	2	2001-		0.6	BR10EG	3830			
700 RMK 144 F/O	S03NK7CS	700	2	2003-		0.6	BR10EG	3830			
700 RMK 144 F/O CSA	S02NK7CS,	700	2	2002-		0.6	BR10EG	3830			
700 RMK 144 STOCK	02NK7CSA	700	2	2002-		0.6	BR10EG	3830			
700 RMK 144 STOCK	03NK7CSA	700	2	2003-		0.6	BR10EG	3830			
700 RMK 151 F/O	S02NL7CS	700	2	2002-		0.6	BR10EG	3830			
700 RMK 151 F/O	S03NL7CS	700	2	2003-		0.6	BR10EG	3830			
700 RMK 151 STOCK	S03NL7CSA	700	2	2003-		0.6	BR10EG	3830			
700 RMK 155 ALL OPTIONS		700	2	2008-		0.6	BR10EG	3830			
700 RMK 163 ALL OPTIONS		700	2	2008-		0.6	BR10EG	3830			
700 RMK EARLY PROD		700	2	2008-		0.6	BR10EG	3830			
700 RMK EUROPEAN	E980966	700	2	1998-		0.7	BR9ES	5722		BR9EIX	3981
700 RMK F/O	S04NK6ES	700	2	2004-		0.6	BR10EG	3830			
700 RMK F/O	S05NK6ES	700	2	2005-		0.6	BR10EG	3830			
700 SKS	0970566	700	2	1997-		0.7	BR9ES	5722		BR9EIX	3981
700 SKS	099SS7AS	700	2	1999-		0.7	BR9ES	5722		BR9EIX	3981
700 SKS	E01SS7AU	700	2	2000-2000		0.6	BR10EG	3830			
700 SKS	S00SS7AS	700	2	2000-2000		0.6	BR10EG	3830			
700 SKS	E00SS7AU	700	2	2000-2000		0.6	BR10EG	3830			

*Bitte Elektrodenabstand nach Angaben des Herstellers justieren

*Please adjust the ground electrode gap

*Veuillez vérifier l'écartement

* Por favor, ajustar la distancia entre los electrodos

*Regolare il gap

* Iridium IX Spark Plug is the standard recommendation





Stock No.

Quick No.

Upgrade ↑

Stock No. ↑

POLARIS

700 SKS	S01SS7AS	700	2	2001-		0.6	BR10EG	3830			
700 SKS	S02SS7CE	700	2	2002-		0.6	BR10EG	3830			
700 SKS	S02NS7CS	700	2	2002-		0.6	BR10EG	3830			
700 SKS	S03NS7CS/ S03NS7CSA	700	2	2003-		0.6	BR10EG	3830			
700 SKS EUROPEAN	E970566	700	2	1997-		0.7	BR9ES	5722		BR9EIX	3981
700 SKS EUROPEAN	E99SS7AU	700	2	1999-		0.7	BR9ES	5722		BR9EIX	3981
700 SWITCHBACK	Switchback	700	2	2004-		0.6	BR10EG	3830			
700 SWITCHBACK	Swichback	700	2	2008-		0.6	BR10EG	3830			
700 SWITCHBACK ALL OPTIONS	Swichback	700	2	2008-		0.6	BR10EG	3830			
700 ULTRA	0976778	700	3	1997-		0.7	BR9ES	5722		BR9EIX	3981
700 ULTRA	0986778	700	3	1998-		0.7	BR9ES	5722		BR9EIX	3981
700 ULTRA RMK	0960978	700	3	1996-		0.7	BR9ES	5722		BR9EIX	3981
700 ULTRA SKS	0966778	700	3	1996-		0.7	BR9ES	5722		BR9EIX	3981
700 ULTRA SKS EURO- PEAN	E966778	700	3	1996-		0.7	BR9ES	5722		BR9EIX	3981
700 ULTRA SP	0960678	700	3	1996-		0.7	BR9ES	5722		BR9EIX	3981
700 ULTRA SP	0970678	700	3	1997-		0.7	BR9ES	5722		BR9EIX	3981
700 ULTRA SP EURO- PEAN	E960678	700	3	1996-		0.7	BR9ES	5722		BR9EIX	3981
700 ULTRA SPX	0975678	700	3	1997-		0.7	BR9ES	5722		BR9EIX	3981
700 ULTRA SPX SE	H975678	700	3	1997-		0.7	BR9ES	5722		BR9EIX	3981
700 ULTRA SPX SE EUROPEAN	E975678	700	3	1997-		0.7	BR9ES	5722		BR9EIX	3981
700 ULTRA TOURING	0975378	700	3	1997-		0.7	BR9ES	5722		BR9EIX	3981
700 ULTRA TOURING	0985378	700	3	1998-		0.7	BR9ES	5722		BR9EIX	3981
700 ULTRA TOURING EUROPEAN	E975378	700	3	1997-		0.7	BR9ES	5722		BR9EIX	3981
700 ULTRA TOURING EUROPEAN	E985378	700	3	1998-		0.7	BR9ES	5722		BR9EIX	3981
700 XC	0971766	700	2	1997-		0.7	BR9ES	5722		BR9EIX	3981
700 XC	0981766	700	2	1998-		0.7	BR9ES	5722		BR9EIX	3981
700 XC	099SB7AS	700	2	1999-		0.7	BR9ES	5722		BR9EIX	3981
700 XC DELUXE	S00SD7AS	700	2	2000-2000		0.6	BR10EG	3830			
700 XC EDGE F/O	S03NP7CS	700	2	2003-		0.6	BR10EG	3830			
700 XC EDGE F/O	S04NP7CS	700	2	2004-		0.6	BR10EG	3830			
700 XC EUROPEAN	E981766	700	2	1998-		0.7	BR9ES	5722		BR9EIX	3981
700 XCR	0985678A	700	3	1998-		0.7	BR9ES	5722		BR9EIX	3981
700 XCR	0985678	700	3	1998-		0.7	BR9ES	5722		BR9EIX	3981
700 XCR	099AB7BS	700	3	1999-		0.7	BR9ES	5722		BR9EIX	3981
700 XCR EUROPEAN	E985678	700	3	1998-		0.7	BR9ES	5722		BR9EIX	3981
700 XC SP	099SP7AS	700	2	1999-		0.7	BR9ES	5722		BR9EIX	3981
700 XC SP	S00SP7AS	700	2	2000-2000		0.6	BR10EG	3830			
700 XC SP	S01NP7ASB	700	2	2001-		0.6	BR10EG	3830			
700 XC SP	S01NP7ASA	700	2	2001-		0.6	BR10EG	3830			
700 XC SP	S01NP7AS	700	2	2001-		0.6	BR10EG	3830			
700 XC SP	S01NP7CS	700	2	2001-		0.6	BR10EG	3830			
700 XC SP	S02NP7CSB	700	2	2002-		0.6	BR10EG	3830			
700 XC SP	S02NP7CSA	700	2	2002-		0.6	BR10EG	3830			
700 XC SP		700	2	2005-		0.6	BR10EG	3830			
700 XC SP EDGE	S03NP7CSA/ S03NP7CSB	700	2	2003-		0.6	BR10EG	3830			
700 XC SP EDGE F/O	S03NF7CS	700	2	2003-		0.6	BR10EG	3830			
700 XC SP EDGE M-10	S03NE7CS	700	2	2003-		0.6	BR10EG	3830			
700 XC SP EDGE X F/O S	S03NA7CS	700	2	2003-		0.6	BR10EG	3830			

*Bitte Elektrodenabstand nach Angaben des Herstellers justieren

*Please adjust the ground electrode gap

*Veuillez vérifier l'écartement

* Por favor, ajustar la distancia entre los electrodos

*Regolare il gap

** Iridium IX Spark Plug is the standard recommendation





Stock No.

Quick No.

Upgrade ↑

Stock No. ↑

POLARIS

700 XC SP F/O	S02NP7CS	700	2	2002-		0.6	BR10EG	3830			
700 XC SP M-10 F/O	S02NE7CS	700	2	2002-		0.6	BR10EG	3830			
SN70LCDSP-01		701	2	-		0.7	BR9ES	5722		BR9EIX	3981
SN70LCDSP-02		701	2	-		0.7	BR9ES	5722		BR9EIX	3981
EC74P		744	3	-		0.5	B7ES	1111		BR7EIX	6664
FS IQ EURO		750	2	2007-2009		0.7	BKR7E	6097		BKR7EIX	2667
FS IQ TOURING		750	2	2007-2009		0.7	BKR7E	6097		BKR7EIX	2667
FST IQ TOURING		750	2	2007-		0.9	PFR7G-9	4371			
EC80P		792	3	-		0.5	B7ES	1111		BR7EIX	6664
EC80PL-04		794	3	-		0.7	BR7ES	5122		BR7EIX	6664
EC80PL-05		794	3	-		0.7	BR7ES	5122		BR7EIX	6664
800 CLASSIC	S04ND8CS	800	2	2004-		0.6	BR10EG	3830			
800 CLASSIC INT'L	S04NT6ES/ S04NT6EE	800	2	2004-		0.6	BR10EG	3830			
800 CLASSIC TOUR- ING	S03NT8CS	800	2	2003-		0.6	BR10EG	3830			
800 CLASSIC TOUR- ING	S04NT6ES/ S04NT6EE	800	2	2004-		0.6	BR10EG	3830			
800 DRAGON		800	2	2009-		0.6	BR10EG	3830			
800 DRAGON ES EURO		800	2	2009-		0.6	BR10EG	3830			
800 DRAGON EURO		800	2	2009-		0.6	BR10EG	3830			
800 DRAGON IQ		800	2	2010-		0.6	BR10EG	3830			
800 DRAGON IQ ES		800	2	2010-		0.6	BR10EG	3830			
800 DRAGON IQ INTL ALL OPTIONS		800	2	2010-		0.6	BR10EG	3830			
800 DRAGON RMK 155		800	2	2008-		0.6	BR10EG	3830			
800 DRAGON RMK 155		800	2	2009-		0.6	BR10EG	3830			
800 DRAGON RMK 155 ALL OPTIONS		800	2	2010-		0.6	BR10EG	3830			
800 DRAGON RMK 155 ES		800	2	2009-		0.6	BR10EG	3830			
800 DRAGON RMK 155 EURO ALL OPTIONS		800	2	2009-		0.6	BR10EG	3830			
800 DRAGON RMK 155 SPECIAL LATE PROD		800	2	2008-		0.6	BR10EG	3830			
800 DRAGON RMK 163		800	2	2008-		0.6	BR10EG	3830			
800 DRAGON RMK 163		800	2	2009-		0.6	BR10EG	3830			
800 DRAGON RMK 163 ALL OPTIONS		800	2	2010-		0.6	BR10EG	3830			
800 DRAGON RMK 163 ES		800	2	2009-		0.6	BR10EG	3830			
800 DRAGON RMK 163 EURO ALL OPTIONS		800	2	2009-		0.6	BR10EG	3830			
800 DRAGON RMK EURO		800	2	2008-		0.6	BR10EG	3830			
800 DRAGON SP		800	2	2009-		0.6	BR10EG	3830			
800 DRAGON SWITCH- BACK		800	2	2010-		0.6	BR10EG	3830			
800 DRAGON SWITCH- BACK ES		800	2	2010-		0.6	BR10EG	3830			
800 DRAGON SWITCH- BACK INTL ALL		800	2	2010-		0.6	BR10EG	3830			
800 EDGE TOURING		800	2	2005-		0.6	BR10EG	3830			
800 INDY ES		800	2	2014-		0.7	BPR9ES	7788		BPR9EIX	6853
800 INDY INTL		800	2	2014-		0.7	BPR9ES	7788		BPR9EIX	6853
800 INDY SP		800	2	2014-		0.7	BPR9ES	7788		BPR9EIX	6853

* Bitte Elektrodenabstand nach Angaben des Herstellers justieren

* Please adjust the ground electrode gap

* Veuillez vérifier l'écartement

* Por favor, ajustar la distancia entre los electrodos

* Regolare il gap

* Iridium IX Spark Plug is the standard recommendation





Stock No.

Quick No.

Upgrade ↑

Stock No. ↑

POLARIS

800 INDY SP ALL OPTIONS		800	2	2014-		0.7	BPR9ES	7788		BPR9EIX	6853
800 IQ		800	2	2009-2010		0.6	BR10EG	3830			
800 IQ ES		800	2	2009-2010		0.6	BR10EG	3830			
800 LE	S01ND8BS	800	2	2001-		0.6	BR10EG	3830			
800 Pro RMK		800	2	2012-		0.7	BPR9ES	7788		BPR9EIX	6853
800 Pro RMK		800	2	2013-		0.7	BPR9ES	7788		BPR9EIX	6853
800 Pro RMK		800	2	2014-		0.7	BPR9ES	7788		BPR9EIX	6853
800 PRO RMK 155		800	2	2011-		0.7	BPR9ES	7788		BPR9EIX	6853
800 Pro RMK 155		800	2	2012-		0.7	BPR9ES	7788		BPR9EIX	6853
800 Pro RMK 155		800	2	2013-		0.7	BPR9ES	7788		BPR9EIX	6853
800 PRO RMK 155 ES		800	2	2011-		0.7	BPR9ES	7788		BPR9EIX	6853
800 PRO RMK 155 INTL ALL OPTIONS		800	2	2011-		0.7	BPR9ES	7788		BPR9EIX	6853
800 PRO RMK 163		800	2	2011-		0.7	BPR9ES	7788		BPR9EIX	6853
800 Pro RMK 163 ALL OPTIONS		800	2	2012-		0.7	BPR9ES	7788		BPR9EIX	6853
800 Pro RMK 163 ALL OPTIONS		800	2	2013-		0.7	BPR9ES	7788		BPR9EIX	6853
800 Pro RMK 163 ALL OPTIONS		800	2	2014-		0.7	BPR9ES	7788		BPR9EIX	6853
800 PRO RMK 163 ES		800	2	2011-		0.7	BPR9ES	7788		BPR9EIX	6853
800 PRO RMK 163 INTL ALL OPTIONS		800	2	2011-		0.7	BPR9ES	7788		BPR9EIX	6853
800 Pro RMK LE 155		800	2	2014-		0.7	BPR9ES	7788		BPR9EIX	6853
800 PRO X	S03NX8CS	800	2	2003-		0.6	BR10EG	3830			
800 PRO X	S04NX6ES	800	2	2004-		0.6	BR10EG	3830			
800 PRO X2	S04NX6ES	800	2	2004-		0.6	BR10EG	3830			
800 PRO XR	S04NZ8CS	800	2	2004-		0.6	BR10EG	3830			
800 RMK	S00SR8BSA	800	2	2000-2000		0.6	BR10EG	3830			
800 RMK	S00SR8BS	800	2	2000-2000		0.6	BR10EG	3830			
800 RMK 144	S01SM8BS	800	2	2001-		0.6	BR10EG	3830			
800 RMK 144		800	2	2010-		0.6	BR10EG	3830			
800 RMK 144 ES		800	2	2010-		0.6	BR10EG	3830			
800 RMK 144 F/O	S02NK8CS	800	2	2002-		0.6	BR10EG	3830			
800 RMK 144 F/O	S03NK8CS	800	2	2003-		0.6	BR10EG	3830			
800 RMK 144 F/O STOCK	S02NK8CSA	800	2	2002-		0.6	BR10EG	3830			
800 RMK 144 INTL		800	2	2010-		0.6	BR10EG	3830			
800 RMK 144 STOCK	S03NK8CSA	800	2	2003-		0.6	BR10EG	3830			
800 RMK 151	S01SM8BSA	800	2	2001-		0.6	BR10EG	3830			
800 RMK 151 F/O	S03NL8CS	800	2	2003-		0.6	BR10EG	3830			
800 RMK 151 F/O S02N		800	2	2002-		0.6	BR10EG	3830			
800 RMK 151 STOCK	S02NL8CSA	800	2	2002-		0.6	BR10EG	3830			
800 RMK 151 STOCK	S03NL8CSA	800	2	2003-		0.6	BR10EG	3830			
800 RMK 155		800	2	2010-		0.6	BR10EG	3830			
800 RMK 155		800	2	2011-2013		0.7	BPR9ES	7788		BPR9EIX	6853
800 RMK 155		800	2	2014-		0.7	BPR9ES	7788		BPR9EIX	6853
800 RMK 155 ES		800	2	2010-		0.6	BR10EG	3830			
800 RMK 155 INTL		800	2	2010-		0.6	BR10EG	3830			
800 RMK 156 F/O	S02NM8CS	800	2	2002-		0.6	BR10EG	3830			
800 RMK 159 F/O	S03NM8CS	800	2	2003-		0.6	BR10EG	3830			
800 RMK 159 VERTICAL ESCAPE	S03NN8CS	800	2	2003-		0.6	BR10EG	3830			
800 RMK ASSAULT		800	2	2010-		0.6	BR10EG	3830			
800 RMK ASSAULT 146		800	2	2009-		0.6	BR10EG	3830			

*Bitte Elektrodenabstand nach Angaben des Herstellers justieren

*Please adjust the ground electrode gap

*Veuillez vérifier l'écartement

* Por favor, ajustar la distancia entre los electrodos

*Regolare il gap

** Iridium IX Spark Plug is the standard recommendation





Stock No.

Quick No.

Upgrade ↑

Stock No. ↑

POLARIS

800 RMK ASSAULT 155		800	2	2011-		0.7	BPR9ES	7788		BPR9EIX	6853
800 RMK ASSAULT 155 ALL OPTIONS		800	2	2012-		0.7	BPR9ES	7788		BPR9EIX	6853
800 RMK ASSAULT 155 INTL		800	2	2011-		0.7	BPR9ES	7788		BPR9EIX	6853
800 RMK ASSAULT ALL OPTIONS		800	2	2013-2014		0.7	BPR9ES	7788		BPR9EIX	6853
800 RMK F/O	S04NK6ES	800	2	2004-		0.6	BR10EG	3830			
800 RMK F/O	S05NK6ES	800	2	2005-		0.6	BR10EG	3830			
800 RMK INTL		800	2	2010-		0.6	BR10EG	3830			
800 RMK SHIFT 144		800	2	2009-		0.6	BR10EG	3830			
800 RMK SP 144	S01SM8BSC	800	2	2001-		0.6	BR10EG	3830			
800 RMK SP 151	S01SM8BSB	800	2	2001-		0.6	BR10EG	3830			
800 RUSH		800	2	2009-		0.6	BR10EG	3830			
800 RUSH		800	2	2011-		0.7	BPR9ES	7788		BPR9EIX	6853
800 RUSH		800	2	2012-2013		0.7	BPR9ES	7788		BPR9EIX	6853
800 RUSH ES		800	2	2009-		0.6	BR10EG	3830			
800 RUSH ES		800	2	2011-		0.7	BPR9ES	7788		BPR9EIX	6853
800 RUSH ES		800	2	2012-2013		0.7	BPR9ES	7788		BPR9EIX	6853
800 RUSH PRO-R		800	2	2011-		0.7	BPR9ES	7788		BPR9EIX	6853
800 RUSH PRO R ALL		800	2	2014-		0.7	BPR9ES	7788		BPR9EIX	6853
800 RUSH PRO R ALL OPTIONS		800	2	2012-2013		0.7	BPR9ES	7788		BPR9EIX	6853
800 RUSH RETRO		800	2	2011-		0.7	BPR9ES	7788		BPR9EIX	6853
800 RUSH RETRO ALL OPTIONS		800	2	2011-		0.7	BPR9ES	7788		BPR9EIX	6853
800 RUSH RETRO ES ALL OPTIONS		800	2	2011-		0.7	BPR9ES	7788		BPR9EIX	6853
800 RUSH RETRO LX		800	2	2011-		0.7	BPR9ES	7788		BPR9EIX	6853
800 SKS S0	S03NS8CS/ S03NS8CSA	800	2	2003-		0.6	BR10EG	3830			
800 STORM	0932770	800	3	1993-		0.7	BR9ES	5722		BR9EIX	3981
800 STORM	0940782	800	3	1994-		0.7	BR9ES	5722		BR9EIX	3981
800 STORM	0950782	800	3	1995-		0.8	BR8ES	5422	Q207	BR8EIX	5044
800 STORM	0965782	800	3	1996-		0.7	BR9ES	5722		BR9EIX	3981
800 STORM	0975782	800	3	1997-		0.7	BR9ES	5722		BR9EIX	3981
800 STORM	0985782	800	3	1998-		0.7	BR9ES	5722		BR9EIX	3981
800 STORM EURO-PEAN	E932770	800	3	1993-		0.7	BR9ES	5722		BR9EIX	3981
800 STORM EURO-PEAN	E940782	800	3	1994-		0.7	BR9ES	5722		BR9EIX	3981
800 STORM EURO-PEAN	E950782	800	3	1995-		0.8	BR8ES	5422	Q207	BR8EIX	5044
800 STORM EURO-PEAN	E965782	800	3	1996-		0.7	BR9ES	5722		BR9EIX	3981
800 STORM RMK	0965982	800	3	1996-		0.7	BR9ES	5722		BR9EIX	3981
800 STORM RMK	0975982	800	3	1997-		0.7	BR9ES	5722		BR9EIX	3981
800 STORM SE	H975782	800	3	1997-		0.7	BR9ES	5722		BR9EIX	3981
800 STORM SE EURO-PEAN	E975782	800	3	1997-		0.7	BR9ES	5722		BR9EIX	3981
800 STORM SKS	0932570	800	3	1993-		0.7	BR9ES	5722		BR9EIX	3981
800 STORM SKS	0940582	800	3	1994-		0.7	BR9ES	5722		BR9EIX	3981
800 STORM SKS	0950582	800	3	1995-		0.8	BR8ES	5422	Q207	BR8EIX	5044
800 STORM SKS	0965582	800	3	1996-		0.7	BR9ES	5722		BR9EIX	3981
800 STORM SKS EUROPEAN	E932570	800	3	1993-		0.7	BR9ES	5722		BR9EIX	3981
800 STORM SKS EUROPEAN	E940582	800	3	1994-		0.7	BR9ES	5722		BR9EIX	3981
800 STORM SKS EUROPEAN	E950582	800	3	1995-		0.8	BR8ES	5422	Q207	BR8EIX	5044

*Bitte Elektrodenabstand nach Angaben des Herstellers justieren

*Please adjust the ground electrode gap

*Veuillez vérifier l'écartement

* Por favor, ajustar la distancia entre los electrodos

*Regolare il gap

* Iridium IX Spark Plug is the standard recommendation





Stock No.

Quick No.

Upgrade ↑

Stock No. ↑

POLARIS

800 STORM SKS EUROPEAN	E965582	800	3	1996-		0.7	BR9ES	5722		BR9EIX	3981
800 STORM SKS PDL TRK	0950982	800	3	1995-		0.8	BR8ES	5422	Q207	BR8EIX	5044
800 SWITCHBACK	S04NS6ES	800	2	2004-		0.6	BR10EG	3830			
800 SWITCHBACK		800	2	2009-		0.6	BR10EG	3830			
800 SWITCHBACK		800	2	2010-		0.6	BR10EG	3830			
800 SWITCHBACK		800	2	2012-2013		0.7	BPR9ES	7788		BPR9EIX	6853
800 SWITCHBACK		800	2	2014-		0.7	BPR9ES	7788		BPR9EIX	6853
800 SWITCHBACK ADVENTURE		800	2	2014-		0.7	BPR9ES	7788		BPR9EIX	6853
800 SWITCHBACK ASSAULT		800	2	2011-		0.7	BPR9ES	7788		BPR9EIX	6853
800 SWITCHBACK ASSAULT ALL OPTIONS		800	2	2012-2013		0.7	BPR9ES	7788		BPR9EIX	6853
800 SWITCHBACK ASSAULT ALL OPTIONS		800	2	2014-		0.7	BPR9ES	7788		BPR9EIX	6853
800 SWITCHBACK ES		800	2	2010-		0.6	BR10EG	3830			
800 SWITCHBACK ES		800	2	2012-2013		0.7	BPR9ES	7788		BPR9EIX	6853
800 SWITCHBACK ES		800	2	2014-		0.7	BPR9ES	7788		BPR9EIX	6853
800 SWITCHBACK EURO		800	2	2009-		0.6	BR10EG	3830			
800 SWITCHBACK F/O	S05NS6ES	800	2	2005-		0.6	BR10EG	3830			
800 SWITCHBACK INTL		800	2	2011-		0.7	BPR9ES	7788		BPR9EIX	6853
800 SWITCHBACK PRO R		800	2	2014-		0.7	BPR9ES	7788		BPR9EIX	6853
800 SWITCHBACK PRO-R		800	2	2012-		0.7	BPR9ES	7788		BPR9EIX	6853
800 SWITCHBACK PRO-R		800	2	2013-		0.7	BPR9ES	7788		BPR9EIX	6853
800 SWITCHBACK PRO R ES		800	2	2014-		0.7	BPR9ES	7788		BPR9EIX	6853
800 SWITCHBACK PRO-R ES		800	2	2012-		0.7	BPR9ES	7788		BPR9EIX	6853
800 SWITCHBACK PRO-R ES		800	2	2013-		0.7	BPR9ES	7788		BPR9EIX	6853
800 SWITCHBACK PRO R INT		800	2	2014-		0.7	BPR9ES	7788		BPR9EIX	6853
800 SWITCHBACK PRO-R INTL		800	2	2013-		0.7	BPR9ES	7788		BPR9EIX	6853
800 SWITCHBACK PRO-R INTL ALL OPTIONS		800	2	2012-		0.7	BPR9ES	7788		BPR9EIX	6853
800 SWITCHBACK PRO R LE ALL OPTIONS		800	2	2014-		0.7	BPR9ES	7788		BPR9EIX	6853
800 SWITCHBACK PRO-R LE ALL OPTIONS		800	2	2013-		0.7	BPR9ES	7788		BPR9EIX	6853
800 SWITCHBACK PRO-R RETRO		800	2	2013-		0.7	BPR9ES	7788		BPR9EIX	6853
800 SWITCHBACK PRO-R SC		800	2	2012-		0.7	BPR9ES	7788		BPR9EIX	6853
800 SWITCHBACK PRO-R SP		800	2	2012-		0.7	BPR9ES	7788		BPR9EIX	6853
800 XC EDGE F/O	S03NP8CS	800	2	2003-		0.6	BR10EG	3830			
800 XC EDGE F/O	S04NP7CS	800	2	2004-		0.6	BR10EG	3830			
800 XCR	099AB8AS	800	3	1999-		0.7	BR9ES	5722		BR9EIX	3981
800 XCR	S00SB8AS	800	3	2000-2000		0.7	BR9ES	5722		BR9EIX	3981
800 XCR	S01SB8AS	800	3	2001-		0.7	BR9ES	5722		BR9EIX	3981
800 XCR	S02SB8AS	800	3	2002-		0.7	BR9ES	5722		BR9EIX	3981
800 XCR	S03SB8AS	800	3	2003-		0.7	BR9ES	5722		BR9EIX	3981
800 XC SP	S01NP8BSA	800	2	2001-		0.6	BR10EG	3830			

*Bitte Elektrodenabstand nach Angaben des Herstellers justieren

*Please adjust the ground electrode gap

*Veuillez vérifier l'écartement

* Por favor, ajustar la distancia entre los electrodos

*Regolare il gap

** Iridium IX Spark Plug is the standard recommendation





Stock No.

Quick No.

Upgrade ↑

Stock No. ↑

POLARIS

800 XC SP	S01NP8BSB	800	2	2001-		0.6	BR10EG	3830			
800 XC SP	S01NP8BSA	800	2	2001-		0.6	BR10EG	3830			
800 XC SP EDGE	S03NP8CSA/ S03NP8CSB	800	2	2003-		0.6	BR10EG	3830			
800 XC SP EDGE M-10 F/O	S03NE8CS	800	2	2003-		0.6	BR10EG	3830			
800 XC SP EDGE M-10 F/O	S03NF8CS	800	2	2003-		0.6	BR10EG	3830			
800 XC SP EDGE X F/O	S03NA8CS	800	2	2003-		0.6	BR10EG	3830			
800 XC SP F/O	S02NP8CS	800	2	2002-		0.6	BR10EG	3830			
800 XC SP M-10 F/O	S02NE8CS	800	2	2002-		0.6	BR10EG	3830			
800 XC SP M-10 F/O		800	2	2005-		0.6	BR10EG	3830			
800 XC SP STOCK	S02NP8CSB	800	2	2002-		0.6	BR10EG	3830			
800 XC SP STOCK	S02NP8CSA	800	2	2002-		0.6	BR10EG	3830			
900 FU		900	2	2006-		0.6	BR10EG	3830			
900 FUSION	S05MP8DS	900	2	2005-		0.6	BR10EG	3830			
900 RMK		900	2	2006-		0.6	BR10EG	3830			
900 RMK ALL OPTIONS	S05PL8/ S05PM8/S05PN8	900	2	2005-		0.6	BR10EG	3830			
900 SWITCHBACK	S05PS8DS	900	2	2005-		0.6	BR10EG	3830			
900 SWITCHBACK		900	2	2006-		0.6	BR10EG	3830			

REDLINE

REVOLT		800		2004-	6747 (US) 0,025"	0.6	BR8ES	5422	Q207	BR8EIX	5044
---------------	--	-----	--	-------	------------------	-----	-------	------	------	--------	------

ROLL-O-FLEX

292 S		292		-	YAMAHA	*	BR9EIX**	3981			
292 Y		292		-	YAMAHA	0.6	B8ES	2411	Q201	BR8EIX	5044
338 S		338		-	YAMAHA	*	BR9EIX**	3981			
338 Y		338		-	YAMAHA	0.6	B7HS	5110		BR7HIX	7067
396 Y		396		-	YAMAHA	0.6	B7HS	5110		BR7HIX	7067
433 S		433		-	YAMAHA	*	BR9EIX**	3981			
433 Y		433		-	YAMAHA	0.6	B7HS	5110		BR7HIX	7067

RUPP

With CDI Systems				-	14mm Thread Size / 19mm Thread Reach TOHATSU	*	BUE	2322			
With CDI Systems				-	14mm Thread Size / 12,7mm Thread Reach TOHATSU	*	BUHX	2522			
TR-295		294		-	TOHATSU	0.5	B8HS	5510		BR8HIX	7001
TR-295S		294		-	TOHATSU	0.5	B9HS	5810		BR9HIX	5687
TR-340		336		-	TOHATSU	0.5	B8HS	5510		BR8HIX	7001
TR-340S		336		-	TOHATSU	0.5	B9HS	5810		BR9HIX	5687
TR-400S		339		-	TOHATSU	0.5	B8HS	5510		BR8HIX	7001
TR-440		438		-	TOHATSU	0.5	B8HS	5510		BR8HIX	7001
TR-440S		438		-	TOHATSU	0.5	B9HS	5810		BR9HIX	5687
TR-650		644		-	TOHATSU	0.5	B9HS	5810		BR9HIX	5687
TR-650S		644		-	TOHATSU	0.5	B9HS	5810		BR9HIX	5687

SACHS

SA 280		277	1	-		0.5	AB-7	3010			
SA 280A		277	1	-		0.5	AB-7	3010			
SA2-290		291	1	-	14mm Thread Size / 19mm Thread Reach	0.5	B8ES	2411	Q201	BR8EIX	5044
SA2-290		291	1	-	14mm Thread Size / 12,7mm Thread Reach	0.5	B8HS	5510		BR8HIX	7001

*Bitte Elektrodenabstand nach Angaben des Herstellers justieren

*Please adjust the ground electrode gap

*Veuillez vérifier l'écartement

* Por favor, ajustar la distancia entre los electrodos

*Regolare il gap

* Iridium IX Spark Plug is the standard recommendation





Stock No.

Quick No.

Upgrade ↑

Stock No. ↑

SACHS

SA 290		293	1	-		0.5	AB-7	3010			
SA 290C		293	1	-		0.5	B8HS	5510		BR8HIX	7001
SA 290R		293	1	-		0.5	B8HS	5510		BR8HIX	7001
SA 290SS		293	1	-		0.5	B8HS	5510		BR8HIX	7001
KM 914		300		-		0.5	B7HS	5110		BR7HIX	7067
SA 320		318	1	-		0.5	AB-7	3010			
SA 340C		334	1	-		0.5	B8HS	5510		BR8HIX	7001
SA 340R		334	1	-		0.5	B8HS	5510		BR8HIX	7001
SA 340		336	1	-		0.5	AB-7	3010			
SA 340SS		336	1	-		0.5	AB-8	7909			
SA2-340		338	1	-	14mm Thread Size / 19mm Thread Reach	0.5	B8ES	2411	Q201	BR8EIX	5044
SA2-340		338	1	-	14mm Thread Size / 12,7mm Thread Reach	0.5	B8HS	5510		BR8HIX	7001
SA2-340C		338	1	-		0.5	B9ES	2611	Q202	BR9EIX	3981
SA2-340RX		338	1	-		0.5	B9ES	2611	Q202	BR9EIX	3981
SA 370		368	1	-		0.5	AB-7	3010			
SA 400		396		-		0.5	AB-8	7909			

SCORPION

295		290		-	CUYUNA	0.5	B8ES	2411	Q201	BR8EIX	5044
2F295-2		294	1978-		CUYUNA	0.5	B9ES	2611	Q202	BR9EIX	3981
2F295-2		294	1979-		CUYUNA	0.5	B7ES	1111		BR7EIX	6664
2F340-6		338	1979-		CUYUNA	0.5	BR7ES	5122		BR7EIX	6664
2F340-6		338	1980-		CUYUNA	0.5	B8ES	2411	Q201	BR8EIX	5044
2F340-6		338	1981-		CUYUNA	0.5	B7ES	1111		BR7EIX	6664
340		339	1980-		CUYUNA	0.5	B8ES	2411	Q201	BR8EIX	5044
400		339		-	CUYUNA	0.5	B8ES	2411	Q201	BR8EIX	5044
2F400-A		399		-	CUYUNA	0.5	B8ES	2411	Q201	BR8EIX	5044
2F440-A		428		-	CUYUNA	0.5	B8ES	2411	Q201	BR8EIX	5044
440		428		-	CUYUNA	0.5	B8ES	2411	Q201	BR8EIX	5044
AF44L3		436		-	SPIRIT SUZUKI	0.5	BR9ES	5722		BR9EIX	3981

SKI-DOO / BOMBARDIER

Mini Z		120	1	1998-2003		0.6	BPR6ES	7822		BPR6EIX	6637
250		247		-	14hp	0.5	AB-7	3010			
250		247		-	12hp	0.5	AB-6	2910			
250 Deluxe		247		-		0.5	B7HS	5110		BR7HIX	7067
250 SS		247		-		0.5	B8HS	5510		BR8HIX	7001
250T		247		-		0.5	B7HS	5110		BR7HIX	7067
247 Elan		250		-		0.5	AB-7	3010			
247 Spirit		250		-		0.5	AB-7	3010			
Citation L/S		253		-		0.5	BR9ES	5722		BR9EIX	3981
Tunda		253		-		0.5	BR9ES	5722		BR9EIX	3981
Tunda-LT		253		-		0.5	BR9ES	5722		BR9EIX	3981
Skandic Tundra LC		280		2003-2004		0.5	BR9ECS-5	6669		BR9ECSIX-5	6014
Tundra F		280	1	2004-		0.5	BR9ES	5722		BR9EIX	3981
300		299		-	12hp	0.5	AB-6	2910			
300S		299		-		0.5	AB-7	3010			
300 MX-Z300		300		-		0.5	BR9ES	5722		BR9EIX	3981
300 MX-Z300 Fan		300		-		0.5	BR9ES	5722		BR9EIX	3981
RV340		337	2	-		0.5	BR10EIX**	6801			
Sonic 340		337		-		0.5	BR10EIX**	6801			
TNT		337		-		0.5	BR10EIX**	6801			

*Bitte Elektrodenabstand nach Angaben des Herstellers justieren

*Please adjust the ground electrode gap

*Veuillez vérifier l'écartement

* Por favor, ajustar la distancia entre los electrodos

*Regolare il gap

**Iridium IX Spark Plug is the standard recommendation





Stock No.

Quick No.

Upgrade ↑

Stock No. ↑

SKI-DOO / BOMBARDIER

354 Blizzard 6500		339	3	-		0.5	BR10EIX**	6801			
354 Super Sonic		339		-		0.5	BR10EIX**	6801			
354 Super Sonic LC		339		-		0.5	BR10EIX**	6801			
TNT 340 Free Air		339	2	-		0.5	B9ES	2611	Q202	BR9EIX	3981
TNT 340SM		339	2	-		0.5	B8HS	5510		BR8HIX	7001
300 Touring 300		368		-		0.5	BR9ES	5722		BR9EIX	3981
300 Touring 300 Fan		368		-		0.5	BR9ES	5722		BR9EIX	3981
368 MX-Z380		368		-		0.5	BR9ES	5722		BR9EIX	3981
368 MX-Z380 Fan		368		-		0.5	BR9ES	5722		BR9EIX	3981
368 Touring 380		368		-		0.5	BR9ES	5722		BR9EIX	3981
368 Touring 380 Fan		368		-		0.5	BR9ES	5722		BR9EIX	3981
377 Safari Saga		368	2	-		0.5	BR9ES	5722		BR9EIX	3981
Formula S		368		-		0.5	BR9ES	5722		BR9EIX	3981
377 Touring E		377		-		0.4	BR9ES	5722		BR9EIX	3981
377 Touring ELT		377		-		0.4	BR9ES	5722		BR9EIX	3981
380 Formula Deluxe 380		377		-		0.4	BR9ES	5722		BR9EIX	3981
380 Scandic 380		380		-		0.4	BR9ES	5722		BR9EIX	3981
Legend Fan	F	380	2	2004-		0.5	BR9ES	5722		BR9EIX	3981
Legend Fan GT	F	380	2	2004-		0.5	BR9ES	5722		BR9EIX	3981
MXZ Fan	F	380	2	2004-		0.5	BR9ES	5722		BR9EIX	3981
400 MX-Z400		400		-		0.5	BR9ES	5722		BR9EIX	3981
400 MX-Z400 Fan		400		-		0.5	BR9ES	5722		BR9EIX	3981
440 MX-Z 440		436		-		0.4	BR9ES	5722		BR9EIX	3981
440 MX-Z 440 F		436		-		0.4	BR9ES	5722		BR9EIX	3981
444 Elite		436	2	-		0.5	B8ES	2411	Q201	BR8EIX	5044
444 LC Everest		436	2	-		0.5	B8ES	2411	Q201	BR8EIX	5044
444 LC Futura		436		-		0.5	B8ES	2411	Q201	BR8EIX	5044
440 Skandic LC		437	2	-		0.5	BR9ES	5722		BR9EIX	3981
440 Skandic LT440		437	2	-		0.5	BR9ES	5722		BR9EIX	3981
447 Grand Luxe		437		-		0.5	BR8ES	5422	Q207	BR8EIX	5044
454 Blizzard 9500		437	2	-		0.5	BR10EIX**	6801			
454 Blizzard 9500 Plus		437	2	-		0.5	BR10EIX**	6801			
TNT 440 Free Air		437	2	-	18mm Thread Size / 12mm Thread Reach	0.5	AB-7	3010			
TNT 440 Free Air		437	2	-	14mm Thread Size / 19mm Thread Reach	0.5	B9ES	2611	Q202	BR9EIX	3981
440		440		2004-		0.5	BR9ECS-5	6669		BR9ECSIX-5	6014
MXZ 440 X Racing		440	2	2005-2005		0.8	BR9ECS	4677		BR9ECSIX	5438
MXZ 440 X Racing		440	2	2007-2007		0.8	BR9ECS	4677		BR9ECSIX	5438
Skandic LT	F	440	2	2004-		0.5	BR9ES	5722		BR9EIX	3981
Touring LE		440		-		0.4	BR9ES	5722		BR9EIX	3981
447 Safari 1986		447	2	-		0.5	BR9ES	5722		BR9EIX	3981
454 Ultra Sonic		463		-		0.5	BR10EIX**	6801			
Formula SLS		494		-		0.5	BR9ES	5722		BR9EIX	3981
Skandic WT LC		494		-		0.5	BR8ES	5422	Q207	BR8EIX	5044
Summit 500		494		-		0.5	BR9ES	5722		BR9EIX	3981
467 Formula LT		496	2	-		0.5	BR9ES	5722		BR9EIX	3981
467 Formula MX		496	2	-		0.5	BR9ES	5722		BR9EIX	3981
503 Alpine II		496	2	-		0.5	BR8ES	5422	Q207	BR8EIX	5044
503 Safari Cheyenne		497	2	-		0.5	BR9ES	5722		BR9EIX	3981
503 Safari Escapade		497	2	-		0.5	BR9ES	5722		BR9EIX	3981
503 Sonic MX 1983		497		-		0.5	BR7ES	5122		BR7EIX	6664
Formula Deluxe		497	2	-		0.4	BR9ES	5722		BR9EIX	3981

*Bitte Elektrodenabstand nach Angaben des Herstellers justieren

*Please adjust the ground electrode gap

*Veuillez vérifier l'écartement

* Por favor, ajustar la distancia entre los electrodos

*Regolare il gap

* Iridium IX Spark Plug is the standard recommendation





Stock No.

Quick No.

Upgrade ↑

Stock No. ↑

SKI-DOO / BOMBARDIER

Formula Deluxe Fan		497	2	-		0.4	BR9ES	5722		BR9EIX	3981
Formula Deluxe LC		497	2	-		0.4	BR9ES	5722		BR9EIX	3981
Scandic LC		497		-		0.4	BR9ES	5722		BR9EIX	3981
Scandic SWT		497		-		0.4	BR9ES	5722		BR9EIX	3981
Scandic WT		497		-		0.4	BR9ES	5722		BR9EIX	3981
Summit Fun		497		-		0.5	BR9ES	5722		BR9EIX	3981
Touring Fan		497		-		0.5	BR9ES	5722		BR9EIX	3981
500 Formula Z		499	2	-		0.4	BR9ES	5722		BR9EIX	3981
500 Grand Touring		499		-		0.4	BR9ES	5722		BR9EIX	3981
MXZ 500 Trail		499		-		0.4	BR9ES	5722		BR9EIX	3981
MXZ 500 Trail Fan		499		-		0.4	BR9ES	5722		BR9EIX	3981
Grand Touring LC		500	2	2002-2002		0.5	BR9ECS-5	6669		BR9ECSIX-5	6014
GSX		500	2	2004-2007		0.5	BR9ECS-5	6669		BR9ECSIX-5	6014
GSX 500 SS		500	2	-2009		0.8	BR10ECS	5880			
GSX Sport	SS	500	2	2004-		0.5	BR9ECS-5	6669		BR9ECSIX-5	6014
GSX Sport 1+1	SS	500	2	2004-		0.5	BR9ECS-5	6669		BR9ECSIX-5	6014
GTX		500	2	2005-2007		0.8	BR9ECS	4677		BR9ECSIX	5438
Legend LC		500	2	2002-2004		0.5	BR9ECS-5	6669		BR9ECSIX-5	6014
Legend Sport	SS	500	2	2004-		0.5	BR9ECS-5	6669		BR9ECSIX-5	6014
MXZ		500	2	2005-2007		0.8	BR9ECS	4677		BR9ECSIX	5438
MXZ 500 Adrenaline	SS	500	2	2004-		0.5	BR9ECS-5	6669		BR9ECSIX-5	6014
MXZ 500 Trail	SS	500	2	2004-		0.5	BR9ECS-5	6669		BR9ECSIX-5	6014
MXZ LC		500	2	2002-2004		0.5	BR9ECS-5	6669		BR9ECSIX-5	6014
MXZ Trail 500 SS		500	2	2007-2008		0.8	BR9ECS	3570		BR9ECSIX	5438
Skandic		500		-		0.4	BR9ES	5722		BR9EIX	3981
Skandic LC		500	2	2002-2003		0.5	BR9ECS-5	6669		BR9ECSIX-5	6014
Skandic SWT		500		-		0.4	BR9ES	5722		BR9EIX	3981
Skandic WT		500		-		0.4	BR9ES	5722		BR9EIX	3981
Skandic WT LC		500		-		0.4	BR9ES	5722		BR9EIX	3981
Sport GT	SS	500	2	2004-		0.5	BR9ECS-5	6669		BR9ECSIX-5	6014
503 Formula SL		503	2	-		0.5	BR9ES	5722		BR9EIX	3981
536 Formula Plus		521	2	-		0.5	BR9ES	5722		BR9EIX	3981
536 Formula Plus LT		521	2	-		0.5	BR9ES	5722		BR9EIX	3981
Expedition		550	2	2005-2006		0.5	BR9ECS-5	6669		BR9ECSIX-5	6014
Expedition		550	2	2009-2012		0.5	BR9ECS-5	6669		BR9ECSIX-5	6014
Expedition Sport 550F		550	2	2011-		0.5	BR9ECS-5	6669		BR9ECSIX-5	6014
Expedition Sport 550 F XP		550	2	2013-2014		0.5	BR9ECS-5	6669		BR9ECSIX-5	6014
Grand Touring 550F		550	2	2010-2015		0.5	BR9ECS-5	6669		BR9ECSIX-5	6014
Grand Touring 550 F Sport		550	2	2010-2012		0.5	BR9ECS-5	6669		BR9ECSIX-5	6014
Grand Touring Sport 550 F XP		550	2	2013-2014		0.5	BR9ECS-5	6669		BR9ECSIX-5	6014
GSX		550	2	2005-2006		0.5	BR9ECS-5	6669		BR9ECSIX-5	6014
GSX 550F		550	2	-2010		0.5	BR9ECS-5	6669		BR9ECSIX-5	6014
GTX		550	2	2005-2005		0.5	BR9ECS-5	6669		BR9ECSIX-5	6014
Legend Fan	F	550	2	2004-		0.5	BR9ES	5722		BR9EIX	3981
Legend Fan GT	F	550	2	2004-		0.5	BR9ES	5722		BR9EIX	3981
MXZ 550F Sport		550	2	2010-2012		0.5	BR9ECS-5	6669		BR9ECSIX-5	6014
MXZ 550F Sport		550	2	2011-2014		0.5	BR9ECS-5	6669		BR9ECSIX-5	6014
MXZ 550F TNT		550	2	2010-2012		0.5	BR9ECS-5	6669		BR9ECSIX-5	6014
MXZ 550F TNT		550	2	2010-2011		0.5	BR9ECS-5	6669		BR9ECSIX-5	6014
MXZ Fan	F	550	2	2004-		0.5	BR9ES	5722		BR9EIX	3981
MXZ Sport 550 F XP		550	2	2013-2014		0.5	BR9ECS-5	6669		BR9ECSIX-5	6014

* Bitte Elektrodenabstand nach Angaben des Herstellers justieren

* Please adjust the ground electrode gap

* Veuillez vérifier l'écartement

* Por favor, ajustar la distancia entre los electrodos

* Regolare il gap

** Iridium IX Spark Plug is the standard recommendation





Stock No.

Quick No.

Upgrade ↑

Stock No. ↑

SKI-DOO / BOMBARDIER

Renegade 550 F		550	2	2010-2013		0.5	BR9ECS-5	6669		BR9ECSIX-5	6014
Renegade Sport 550F		550	2	2010-2014		0.5	BR9ECS-5	6669		BR9ECSIX-5	6014
Renegade Sport 550 F XP		550	2	2010-2013		0.5	BR9ECS-5	6669		BR9ECSIX-5	6014
Skandic 550F		550	2	2009-2011		0.5	BR9ES	5722		BR9EIX	3981
Skandic 550F		550	2	2012-		0.5	BR9ECS-5	6669		BR9ECSIX-5	6014
Skandic Sport	F	550	2	2004-		0.5	BR9ES	5722		BR9EIX	3981
Skandic Sport SUV	F	550	2	2004-		0.5	BR9ES	5722		BR9EIX	3981
Skandic Sport SWT	F	550	2	2004-		0.5	BR9ES	5722		BR9EIX	3981
Skandic Sport WT	F	550	2	2004-		0.5	BR9ES	5722		BR9EIX	3981
Skandic WT 550 F XU		550	2	2012-2014		0.5	BR9ECS-5	6669		BR9ECSIX-5	6014
Summit		550	2	2005-2005		0.5	BR9ECS-5	6669		BR9ECSIX-5	6014
Summit Fan	F	550	2	2004-		0.5	BR9ES	5722		BR9EIX	3981
Tundra 550F		550	2	2011-		0.5	BR9ECS-5	6669		BR9ECSIX-5	6014
Tundra LT 550 F XP		550	2	2012-2013		0.5	BR9ECS-5	6669		BR9ECSIX-5	6014
Tundra LTS		550	2	2012-2013		0.5	BR9ECS-5	6669		BR9ECSIX-5	6014
Tundra Sport		550	2	2012-2013		0.5	BR9ECS-5	6669		BR9ECSIX-5	6014
Tundra STD		550	2	2012-2013		0.5	BR9ECS-5	6669		BR9ECSIX-5	6014
583 Formula Deluxe		581	2	-		0.4	BR9ES	5722		BR9EIX	3981
Grand Touring		581		-		0.5	BR9ES	5722		BR9EIX	3981
Summit		583		-		0.5	BR9ES	5722		BR9EIX	3981
Formula III		599	2	-		0.5	BR10ES	4832		BR10EIX	6801
Formula III LT		599	2	-		0.5	BR10ES	4832		BR10EIX	6801
Ace		600	2	2012-		0.8	MR7BI-8	90982			
Expedition		600	2	2005-2005		0.8	BR9ECS	4677		BR9ECSIX	5438
Expedition		600	2	2006-		0.8	BR8ECS	3972		BR8EIX	5044
Expedition LE 600 HO E-TEC		600	2	2011-		0.7	PZFR6F	7550			
Expedition SE 600 HO E-TEC		600	2	2011-		0.7	PZFR6F	7550			
Expedition Sport 600 ACE		600	2	2011-2011		0.8	CR7EB	4663			
Expedition Sport 600 ACE		600	2	2012-		0.8	MR7BI-8	90982			
Formula Delux		600	2	-		0.5	BR9ES	5722		BR9EIX	3981
Formula III		600	2	-		0.5	BR10ES	4832		BR10EIX	6801
Formula Z		600		-		0.5	BR9ES	5722		BR9EIX	3981
Grand Touring		600		-		0.5	BR9ES	5722		BR9EIX	3981
Grand Touring		600	2	2002-2003		0.5	BR9ECS-5	6669		BR9ECSIX-5	6014
Grand Touring 600 ACE		600	2	2011-2011		0.8	CR7EB	4663			
Grand Touring 600 ACE		600	2	2012-		0.8	MR7BI-8	90982			
Grand Touring 600HO E-TEC		600	2	2010-2012		0.7	PZFR6F	7550			
Grand Touring 600HO E-TEC		600	2	2013-		0.7	PZFR6F	7550			
Grand Touring 600 Sport		600	2	2010-2011		0.8	BR10ECS	5880			
Grand Touring 600 Sport		600	2	2012-2014		0.8	BR9ECS	4677		BR9ECSIX	5438
Grand Touring SE		600		-		0.5	BR9ES	5722		BR9EIX	3981
Grand Touring Sport 600 XP		600	2	2012-2013		0.8	BR9ECS	3570		BR9ECSIX	5438
G SX		600	2	2004-2005		0.5	BR9ECS-5	6669		BR9ECSIX-5	6014
G SX 600HO E-TEC		600	2	-2009		0.7	PZFR6F	7550			
G SX 600HO E-TEC		600	2	2010-2012		0.7	PZFR6F	7550			
G SX 600HO E-TEC		600	2	2013-2015		0.7	PZFR6F	7550			
G SX 600 Sport		600	2	-2010		0.8	BR10ECS	5880			

* Bitte Elektrodenabstand nach Angaben des Herstellers justieren

* Please adjust the ground electrode gap

* Veuillez vérifier l'écartement

* Por favor, ajustar la distancia entre los electrodos

* Regolare il gap

* Iridium IX Spark Plug is the standard recommendation





Stock No.

Quick No.

Upgrade ↑

Stock No. ↑

SKI-DOO / BOMBARDIER

GSX Limited		600	2	2004-		0.5	BR9ECS-5	6669		BR9ECSIX-5	6014
GSX Limited 1+1		600	2	2004-		0.5	BR9ECS-5	6669		BR9ECSIX-5	6014
GSX LTD		600	2	2009-		0.8	PZFR6F	7550			
GSX SDI		600	2	2006-		0.8	BR8ECS	3972		BR8EIX	5044
GSX Sport		600	2	2004-		0.5	BR9ECS-5	6669		BR9ECSIX-5	6014
GSX Sport 1+1		600	2	2004-		0.5	BR9ECS-5	6669		BR9ECSIX-5	6014
GTX		600	2	2005-2005		0.5	BR9ECS-5	6669		BR9ECSIX-5	6014
Legend		600	2	2002-2004		0.5	BR9ECS-5	6669		BR9ECSIX-5	6014
Legend SE		600	2	2004-		0.5	BR9ECS-5	6669		BR9ECSIX-5	6014
Legend SE GT		600	2	2004-		0.5	BR9ECS-5	6669		BR9ECSIX-5	6014
Legend Sport		600	2	2004-		0.5	BR9ECS-5	6669		BR9ECSIX-5	6014
Legend Sport GT		600	2	2004-		0.5	BR9ECS-5	6669		BR9ECSIX-5	6014
MKZ 600 RS		600	2	2009-2009		0.8	BR9ECS	3570		BR9ECSIX	5438
MKZ 600 XP		600	2	2008-		0.8	PZFR6F	7550			
MKZ 600 XR		600	2	2008-		0.8	PZFR6F	7550			
MKZ 600 XU		600	2	2008-		0.8	PZFR6F	7550			
MXZ 600		600	2	2002-2005		0.5	BR9ECS-5	6669		BR9ECSIX-5	6014
MXZ 600 50TH		600	2	2009-		0.8	PZFR6F	7550			
MXZ 600 ACE		600	2	2011-2011		0.8	CR7EB	4663			
MXZ 600 ACE		600	2	2012-		0.8	MR7BI-8	90982			
MXZ 600 Adrenaline		600	2	2004-		0.5	BR9ECS-5	6669		BR9ECSIX-5	6014
MXZ 600 Adrenaline		600	2	2006-2006		0.5	BR9ECS-5	6669		BR9ECSIX-5	6014
MXZ 600 Adrenaline		600	2	2007-2008		0.8	BR9ECS	4677		BR9ECSIX	5438
MXZ 600 Adrenaline		600	2	2009-		0.8	PZFR6F	7550			
MXZ 600 Adrenaline		600	2	2004-		0.5	BR9ECS-5	6669		BR9ECSIX-5	6014
MXZ 600 HO E-TEC		600	2	2016-2017		0.7	PZFR6F	7550			
MXZ 600 HO E-TEC Adrenaline		600	2	-2010		0.7	PZFR6F	7550			
MXZ 600 HO E-TEC Adrenaline		600	2	-2009		0.7	PZFR6F	7550			
MXZ 600 HO E-TEC Blizzard		600	2	2018-		0.7	PZFR6F	7550			
MXZ 600 HO E-TEC TNT		600	2	-2009		0.7	PZFR6F	7550			
MXZ 600 HO E-TEC TNT		600	2	2011-2012		0.7	PZFR6F	7550			
MXZ 600 HO E-TEC TNT		600	2	2013-2015		0.7	PZFR6F	7550			
MXZ 600 HO E-TEC TNT		600	2	2018-		0.7	PZFR6F	7550			
MXZ 600 HO E-TEC X		600	2	-2009		0.7	PZFR6F	7550			
MXZ 600 HO E-TEC X		600	2	2010-2012		0.7	PZFR6F	7550			
MXZ 600 HO E-TEC X		600	2	2013-2015		0.7	PZFR6F	7550			
MXZ 600 HO E-TEC X		600	2	2018-		0.7	PZFR6F	7550			
MXZ 600 HO E-TEC XRS		600	2	2010-2012		0.7	PZFR6F	7550			
MXZ 600 HO E-TEC XRS		600	2	2013-2015		0.7	PZFR6F	7550			
MXZ 600 HO E-TEC XRS		600	2	2018-		0.7	PZFR6F	7550			
MXZ 600 Iron Dog		600	2	2015-2015		0.7	PZFR6F	7550			
MXZ 600 Renegade		600	2	2004-		0.5	BR9ECS-5	6669		BR9ECSIX-5	6014
MXZ 600 Renegade		600	2	2006-2006		0.5	BR9ECS-5	6669		BR9ECSIX-5	6014
MXZ 600 Renegade		600	2	2004-		0.5	BR9ECS-5	6669		BR9ECSIX-5	6014
MXZ 600 SDI		600	2	2006-		0.8	BR8ECS	3972		BR8EIX	5044
MXZ 600 Sport		600	2	2010-2011		0.8	BR10ECS	5880			
MXZ 600 Sport		600	2	2012-2015		0.8	BR9ECS	4677		BR9ECSIX	5438
MXZ 600 Sport XP		600	2	2013-2013		0.5	BR9ECS-5	6669		BR9ECSIX-5	6014

*Bitte Elektrodenabstand nach Angaben des Herstellers justieren

*Please adjust the ground electrode gap

*Veuillez vérifier l'écartement

* Por favor, ajustar la distancia entre los electrodos

*Regolare il gap

** Iridium IX Spark Plug is the standard recommendation





Stock No.

Quick No.

Upgrade ↑

Stock No. ↑

SKI-DOO / BOMBARDIER

MXZ 600 TNT	600	2	2009-	0.8	PZFR6F	7550			
MXZ 600 TNT	600	2	2010-2011	0.8	BR10ECS	5880			
MXZ 600 Trail	600		-	0.5	BR9ES	5722		BR9EIX	3981
MXZ 600 X	600	2	2004-	0.5	BR9ECS-5	6669		BR9ECSIX-5	6014
MXZ 600 X	600	2	2009-	0.8	PZFR6F	7550			
MXZ Sport 600 REV-XP	600	2	2014-2014	0.8	BR9ECS	3570		BR9ECSIX	5438
MXZ Sport 600 XP	600	2	2012-2012	0.8	BR9ECS	4677		BR9ECSIX	5438
MXZ TNT	600	2	2012-2012	0.8	BR9ECS	4677		BR9ECSIX	5438
MXZ X 600 R E-TEC	600	2	2018-	0.7	ILKR8Q7	93819			
MXZ X 600 RS	600	2	-2009	0.5	BR9ECS-5	6669		BR9ECSIX-5	6014
MXZ X 600 RS	600	2	2009-2012	0.5	BR9ECS-5	6669		BR9ECSIX-5	6014
MXZ X 600 RS	600	2	2011-2017	0.5	BR9ECS-5	6669		BR9ECSIX-5	6014
MXZ X 600 RS	600	2	2018-	0.6	ILKR9Q7G	97312			
MXZ X 600 RS XP	600	2	2013-2013	0.5	BR9ECS-5	6669		BR9ECSIX-5	6014
MXZ X 600 RS XS RS	600	2	2014-2014	0.5	BR9ECS-5	6669		BR9ECSIX-5	6014
Renegade 600 ACE	600	2	2012-	0.8	CR7EB	4663			
Renegade 600 ACE	600	2	2012-	0.8	MR7BI-8	90982			
Renegade 600 CARB	600	2	2016-	0.8	BR9ECS	3570		BR9ECSIX	5438
Renegade 600HO E-TEC	600	2	2016-	0.7	PZFR6F	7550			
Renegade Adrenaline 600 HO E-TEC	600	2	2010-2012	0.7	PZFR6F	7550			
Renegade Adrenaline 600 HO E-TEC	600	2	2013-2015	0.7	PZFR6F	7550			
Renegade Backcountry 600 HO E-TEC	600	2	2010-2012	0.7	PZFR6F	7550			
Renegade Backcountry 600 HO E-TEC	600	2	2013-2015	0.7	PZFR6F	7550			
Renegade Backcountry X 600 HO E-TEC	600	2	2011-2012	0.7	PZFR6F	7550			
Renegade Backcountry X 600 HO E-TEC	600	2	2013-2015	0.7	PZFR6F	7550			
Renegade Sport 600	600	2	2015-2015	0.8	BR9ECS	3570		BR9ECSIX	5438
Renegade X 600 HO E-TEC	600	2	2010-2012	0.7	PZFR6F	7550			
Renegade X 600 HO E-TEC	600	2	2013-2015	0.7	PZFR6F	7550			
Skandic	600	2	2002-2005	0.5	BR9ECS-5	6669		BR9ECSIX-5	6014
Skandic 600 ACE	600	2	2011-2011	0.8	CR7EB	4663			
Skandic 600 ACE	600	2	2012-	0.8	MR7BI-8	90982			
Skandic 600 HO E-TEC	600	2	2011-2017	0.7	PZFR6F	7550			
Skandic 600 HO E-TEC	600	2	2018-	0.7	PZFR6F	7550			
Skandic SUV	600	2	2004-	0.5	BR9ECS-5	6669		BR9ECSIX-5	6014
Skandic SUV	600	2	2006-2008	0.8	BR9ECS	4677		BR9ECSIX	5438
Skandic WT	600	2	2006-2009	0.8	BR9ECS	4677		BR9ECSIX	5438
Skandic WT LC	600	2	2004-	0.5	BR9ECS-5	6669		BR9ECSIX-5	6014
Summit	600	2	2002-2005	0.5	BR9ECS-5	6669		BR9ECSIX-5	6014
Summit	600	2	2006-	0.8	BR8ECS	3972		BR8EIX	5044
Summit 600 CARB	600	2	2016-	0.8	BR9ECS	3570		BR9ECSIX	5438
Summit 600 HO	600	2	2005-2005	0.8	BR9ECS	4677		BR9ECSIX	5438
Summit 600 HO E-TEC	600	2	2010-2012	0.7	PZFR6F	7550			
Summit 600 HO E-TEC	600	2	2013-	0.7	PZFR6F	7550			
Summit 600 HO E-TEC Everest	600	2	2010-2011	0.7	PZFR6F	7550			
Summit 600 Sport	600	2	2010-2011	*	BR10ECS	5880			
Summit 600 Sport	600	2	2012-2015	0.8	BR9ECS	3570		BR9ECSIX	5438
Summit Adren	600	2	2004-	0.5	BR9ECS-5	6669		BR9ECSIX-5	6014
Summit Adren X	600	2	2004-	0.5	BR9ECS-5	6669		BR9ECSIX-5	6014

*Bitte Elektrodenabstand nach Angaben des Herstellers justieren

*Please adjust the ground electrode gap

*Veuillez vérifier l'écartement

* Por favor, ajustar la distancia entre los electrodos

*Regolare il gap

* Iridium IX Spark Plug is the standard recommendation





Stock No.

Quick No.

Upgrade ↑

Stock No. ↑

SKI-DOO / BOMBARDIER

Summit Everest		600	2	2009-		0.8	PZFR6F	7550			
Summit Everest X		600	2	2009-		0.8	PZFR6F	7550			
Summit Sport 600		600	2	2012-2014		0.8	BR9ECS	4677		BR9ECSIX	5438
Tundra 600 ACE		600	2	2011-2011		0.8	CR7EB	4663			
Tundra 600 ACE		600	2	2012-		0.8	MR7BI-8	90982			
Tundra 600 HO-E-TEC		600	2	2011-2012		0.7	PZFR6F	7550			
Tundra 600 HO-E-TEC		600	2	2013-		0.7	PZFR6F	7550			
640 ER Alpine		635	2	-		0.5	B7HS	5110		BR7HIX	7067
670 MX-Z H.O.		669		-		0.4	BR9ES	5722		BR9EIX	3981
670 Formula SS		670		-		0.5	BR9ES	5722		BR9EIX	3981
670 Formula Z		670		-		0.5	BR9ES	5722		BR9EIX	3981
Mach 1		670		-		0.5	BR10ES	4832		BR10EIX	6801
Summit		670		-		0.5	BR9ES	5722		BR9EIX	3981
Summit X		670		-		0.5	BR9ES	5722		BR9EIX	3981
700 Grand Touring		699		-		0.5	BR9ES	5722		BR9EIX	3981
Formula Z 600		699		-		0.5	BR9ES	5722		BR9EIX	3981
Mach 1		699		-		0.4	BR10ES	4832		BR10EIX	6801
MXZ 700 / Trail 700		699		-		0.5	BR9ES	5722		BR9EIX	3981
Grand Touring		700	2	2002-2003		0.5	BR9ECS-5	6669		BR9ECSIX-5	6014
Legend		700	2	2002-2004		0.5	BR9ECS-5	6669		BR9ECSIX-5	6014
Legend SE		700	2	2004-		0.5	BR9ECS-5	6669		BR9ECSIX-5	6014
Legend SE GT		700	2	2004-		0.5	BR9ECS-5	6669		BR9ECSIX-5	6014
Legend Sport		700	2	2004-		0.5	BR9ECS-5	6669		BR9ECSIX-5	6014
Legend Sport GT		700	2	2004-		0.5	BR9ECS-5	6669		BR9ECSIX-5	6014
MXZ		700	2	2002-2003		0.5	BR9ECS-5	6669		BR9ECSIX-5	6014
Summit		700	2	2002-2003		0.5	BR9ECS-5	6669		BR9ECSIX-5	6014
Grand Touring SE		765		-		0.5	BR9ES	5722		BR9EIX	3981
Mach Z		765		-		0.5	BR9ES	5722		BR9EIX	3981
MX2600		765		-		0.5	BR9ES	5722		BR9EIX	3981
MX2700		765		-		0.5	BR9ES	5722		BR9EIX	3981
Skandic WT LC		765		-		0.5	BR9ES	5722		BR9EIX	3981
Summit 700		765		-		0.5	BR9ES	5722		BR9EIX	3981
Mach Z		779		-		0.5	BR10ES	4832		BR10EIX	6801
Mach ZLT		779		-		0.5	BR10ES	4832		BR10EIX	6801
Grand Touring SE		796		-		0.5	BR9ES	5722		BR9EIX	3981
Mach Z800		796		-		0.5	BR9ES	5722		BR9EIX	3981
Grand Touring SE		798		-		0.5	BR10ES	4832		BR10EIX	6801
Expedition XTREME 800R E-TEC		800	2	2016-	US-Version	0.7	IFR8AG8	97775			
Expedition XTREME 800R E-TEC		800	2	2016-	EU-Version	0.7	PFR7AB	93322			
Freeride 800R E-TEC		800	2	2012-2017	US-Version	0.7	IFR8AG8	97775			
Freeride 800R E-TEC		800	2	2012-2017	EU-Version	0.7	PFR7AB	93322			
Grand Touring SE		800	2	2002-2003		0.5	BR9ECS-5	6669		BR9ECSIX-5	6014
GSX		800	2	2004-2004		0.5	BR9ECS-5	6669		BR9ECSIX-5	6014
GSX		800	2	2005-2008		0.8	BR9ECS	4677		BR9ECSIX	5438
GSX 800R E-TEC		800	2	2012-2015	US-Version	0.7	IFR8AG8	97775			
GSX 800R E-TEC		800	2	2012-2015	EU-Version	0.7	PFR7AB	93322			
GSX Limited		800	2	2004-		0.5	BR9ECS-5	6669		BR9ECSIX-5	6014
GSX Limited 1+1		800	2	2004-		0.5	BR9ECS-5	6669		BR9ECSIX-5	6014
GTX		800	2	2005-2007		0.8	BR9ECS	4677		BR9ECSIX	5438
Legend 800		800	2	2002-2004		0.5	BR9ECS-5	6669		BR9ECSIX-5	6014
Mach Z		800	3	2003-2004		0.5	BR9ECS-5	6669		BR9ECSIX-5	6014

* Bitte Elektrodenabstand nach Angaben des Herstellers justieren

* Please adjust the ground electrode gap

* Veuillez vérifier l'écartement

* Por favor, ajustar la distancia entre los electrodos

* Regolare il gap

** Iridium IX Spark Plug is the standard recommendation





Stock No.

Quick No.

Upgrade ↑

Stock No. ↑

SKI-DOO / BOMBARDIER

MXZ		800	2	2002-2004		0.5	BR9ECS-5	6669		BR9ECSIX-5	6014
MXZ		800	2	2005-2009		0.8	BR9ECS	4677		BR9ECSIX	5438
MXZ 800 Adrenaline		800	2	2004-		0.5	BR9ECS-5	6669		BR9ECSIX-5	6014
MXZ 800 R Adrenaline		800	2	2009-2010		0.8	BR9ECS	4677		BR9ECSIX	5438
MXZ 800 R Adrenaline X		800	2	2009-2010		0.8	BR9ECS	4677		BR9ECSIX	5438
MXZ 800 R Adrenaline X-RS		800	2	2009-2010		0.8	BR9ECS	4677		BR9ECSIX	5438
MXZ 800 Renegade		800	2	2009-2009		0.8	BR9ECS	4677		BR9ECSIX	5438
MXZ 800 Renegade		800	2	2004-		0.5	BR9ECS-5	6669		BR9ECSIX-5	6014
MXZ 800R E-TEC		800	2	2016-2017	US-Version	0.7	IFR8AG8	97775			
MXZ 800R E-TEC		800	2	2016-2017	EU-Version	0.7	PFR7AB	93322			
MXZ 800R E-TEC TNT		800	2	2011-2015	US-Version	0.7	IFR8AG8	97775			
MXZ 800R E-TEC TNT		800	2	2011-2015	EU-Version	0.7	PFR7AB	93322			
MXZ 800R E-TEC X		800	2	2010-2015	US-Version	0.7	IFR8AG8	97775			
MXZ 800R E-TEC X		800	2	2010-2015	EU-Version	0.7	PFR7AB	93322			
MXZ 800R E-TEC XRS		800	2	2011-2015	US-Version	0.7	IFR8AG8	97775			
MXZ 800R E-TEC XRS		800	2	2011-2015	EU-Version	0.7	PFR7AB	93322			
MXZ 800R Iron Dog		800	2	-2015	US-Version	0.7	IFR8AG8	97775			
MXZ 800R Iron Dog		800	2	-2015	EU-Version	0.7	PFR7AB	93322			
MXZ 800R P-TEC Adrenaline		800	2	2009-2010		0.8	BR9ECS	3570		BR9ECSIX	5438
MXZ 800R P-TEC TNT		800	2	2010-2011		0.8	BR9ECS	3570		BR9ECSIX	5438
MXZ 800R P-TEC X		800	2	2009-2010		0.8	BR9ECS	3570		BR9ECSIX	5438
MXZ 800R P-TEC XRS		800	2	-2010		0.8	BR9ECS	3570		BR9ECSIX	5438
MXZ 800 X		800	2	2004-		0.5	BR9ECS-5	6669		BR9ECSIX-5	6014
Renegade 800		800	2	2010-2010		0.8	BR9ECS	4677		BR9ECSIX	5438
Renegade 800R E-TEC		800	2	2016-	EU-Version	0.7	PFR7AB	93322			
Renegade 800R E-TEC		800	2	2018-	US-Version	0.7	IFR8AG8	97775			
Renegade Adrenaline 800R E-TEC		800	2	2011-2015	US-Version	0.7	IFR8AG8	97775			
Renegade Adrenaline 800R E-TEC		800	2	2011-2015	EU-Version	0.7	PFR7AB	93322			
Renegade Adrenaline 800R P-TEC		800	2	2010-2011		0.8	BR9ECS	3570		BR9ECSIX	5438
Renegade Backcountry 800R E-TEC		800	2	2011-2015	US-Version	0.7	IFR8AG8	97775			
Renegade Backcountry 800R E-TEC		800	2	2011-2015	EU-Version	0.7	PFR7AB	93322			
Renegade Backcountry X 800R E-TEC		800	2	2011-2015	US-Version	0.7	IFR8AG8	97775			
Renegade Backcountry X 800R E-TEC		800	2	2011-2015	EU-Version	0.7	PFR7AB	93322			
Renegade Blackcountry 800R P-TEC		800	2	2010-2011		0.8	BR9ECS	3570		BR9ECSIX	5438
Renegade Blackcountry X 800R P-TEC		800	2	-2010		0.8	BR9ECS	3570		BR9ECSIX	5438
Renegade SP 800R P-TEC		800	2	2011-2011		0.8	BR9ECS	3570		BR9ECSIX	5438
Renegade X 800R E-TEC		800	2	2011-2015	US-Version	0.7	IFR8AG8	97775			
Renegade X 800R E-TEC		800	2	2011-2015	EU-Version	0.7	PFR7AB	93322			
Renegade X 800R P-TEC		800	2	-2010		0.8	BR9ECS	3570		BR9ECSIX	5438
Renegade XRS 800R E-TEC		800	2	2015-2015	US-Version	0.7	IFR8AG8	97775			
Renegade XRS 800R E-TEC		800	2	2015-2015	EU-Version	0.7	PFR7AB	93322			
Skandic V800		800	2	2010-2012		0.8	DCPR8E	4179		DCPR8EIX	6546
Summit		800		-		0.5	BR9ES	5722		BR9EIX	3981
Summit		800	2	2002-2004		0.5	BR9ECS-5	6669		BR9ECSIX-5	6014

* Bitte Elektrodenabstand nach Angaben des Herstellers justieren

* Please adjust the ground electrode gap

* Veuillez vérifier l'écartement

* Por favor, ajustar la distancia entre los electrodos

* Regolare il gap

* Iridium IX Spark Plug is the standard recommendation





Stock No.

Quick No.

Upgrade ↑

Stock No. ↑

SKI-DOO / BOMBARDIER

Summit 800	800	2	2005-2012		0.8	BR9ECS	4677		BR9ECSIX	5438
Summit 800R E-TEC	800	2	2011-2017	US-Version	0.7	IFR8AG8	97775			
Summit 800R E-TEC	800	2	2011-2017	EU-Version	0.7	PFR7AB	93322			
Summit 800R E-TEC Everest	800	2	2011-2011	US-Version	0.7	IFR8AG8	97775			
Summit 800R E-TEC Everest	800	2	2011-2011	EU-Version	0.7	PFR7AB	93322			
Summit 800R E-TEC Freeride	800	2	2011-2011	US-Version	0.7	IFR8AG8	97775			
Summit 800R E-TEC Freeride	800	2	2011-2011	EU-Version	0.7	PFR7AB	93322			
Summit 800R P-TEC	800	2	2010-2016		0.8	BR9ECS	4677		BR9ECSIX	5438
Summit 800R P-TEC Everest	800	2	2011-2011		0.8	BR9ECS	3570		BR9ECSIX	5438
Summit Adrénaline	800	2	2004-		0.5	BR9ECS-5	6669		BR9ECSIX-5	6014
Summit HM	800	2	2004-		0.5	BR9ECS-5	6669		BR9ECSIX-5	6014
Summit HM X	800	2	2004-		0.5	BR9ECS-5	6669		BR9ECSIX-5	6014
Summit HM Xtrême	800	2	2004-		0.5	BR9ECS-5	6669		BR9ECSIX-5	6014
Summit R E-Tec	800	2	2012-	US-Version	0.8	IFR8AG8	97775			
Summit R E-Tec	800	2	2012-	EU-Version	0.8	PFR7AB	93322			
Summit Sport	800	2	2004-		0.5	BR9ECS-5	6669		BR9ECSIX-5	6014
Summit Sport 800 R PTEK XP	800	2	2013-2013		0.8	BR9ECS	4677		BR9ECSIX	5438
Summit X	800	2	2004-		0.5	BR9ECS-5	6669		BR9ECSIX-5	6014
Summit X R	800	2	2012-	US-Version	0.8	IFR8AG8	97775			
Summit X R	800	2	2012-	EU-Version	0.8	PFR7AB	93322			
Mach Z	809		-		0.4	BR10ES	4832		BR10EIX	6801
Freeride 850 E-TEC	850	2	2018-		0.7	ILKR8Q7	93819			
MXZ 850 E-Tec	850	2	2017-2017		0.7	ILKR8Q7	93819			
MXZ X 850 R E-TEC	850	2	2019-		0.7	ILKR8Q7	93819			
Renegade 850 E-TEC	850	2	2017-2017		0.7	ILKR8Q7	93819			
Summit 850 E-TEC	850	2	2017-2017		0.7	ILKR8Q7	93819			
Expedition LE 900 ACE	900	3	2015-2015		0.8	MR7BI-8	90982			
Expedition LE 900 ACE	900	3	2016-		0.8	MR8BI-8	91360			
Expedition SE 900 ACE	900	3	2015-2015		0.8	MR7BI-8	90982			
Expedition SE 900 ACE	900	3	2016-		0.8	MR8BI-8	91360			
Expedition Sport 900 ACE	900	3	2014-2014		0.8	MR7BI-8	90982			
Expedition Sport 900 ACE	900	3	2015-		0.8	MR8BI-8	91360			
Grand Touring 900 ACE	900	3	2014-2014		0.8	MR7BI-8	90982			
Grand Touring 900 ACE	900	3	2015-		0.8	MR8BI-8	91360			
GSX 900 ACE	900	3	2014-2014		0.8	MR7BI-8	90982			
GSX 900 ACE	900	3	2015-2015		0.8	MR8BI-8	91360			
MXZ 900 ACE	900	3	-2014		0.8	MR7BI-8	90982			
M Z 900 ACE	900	3	2015-		0.8	MR8BI-8	91360			
Renegade 900 ACE	900	3	-2014		0.8	MR7BI-8	90982			
Renegade 900 ACE	900	3	2015-		0.8	MR8BI-8	91360			
Skandic 900 ACE	900	3	2015-2015		0.8	MR7BI-8	90982			
Skandic 900 ACE	900	3	2016-		0.8	MR8BI-8	91360			
Elite SE	1000	3	2004-		0.8	DCPR8E	4339		DCPR8EIX	6546
Expedition	1000	2	2006-		0.8	BR8ECS	3972		BR8EIX	5044
Legend 1000	1000	2	2003-2004		0.5	BR9ECS-5	6669		BR9ECSIX-5	6014
Legend SE	1000	2	2004-		0.8	DCPR8E	4339		DCPR8EIX	6546
Legend SE GT	1000	2	2004-		0.8	DCPR8E	4339		DCPR8EIX	6546
Legend Sport	1000	2	2004-		0.8	DCPR8E	4339		DCPR8EIX	6546

* Bitte Elektrodenabstand nach Angaben des Herstellers justieren

* Please adjust the ground electrode gap

* Veuillez vérifier l'écartement

* Por favor, ajustar la distancia entre los electrodos

* Regolare il gap

** Iridium IX Spark Plug is the standard recommendation





Stock No.

Quick No.

Upgrade ↑

Stock No. ↑

SKI-DOO / BOMBARDIER

Legend Sport GT		1000	2	2004-		0.8	DCPR8E	4339		DCPR8EIX	6546
Mach Z		1000	2	2005-2005		0.8	BR9ECS	4677		BR9ECSIX	5438
Mach Z Adrenaline 2Temps		1000	2	2005-		0.5	BR9ECS-5	6669		BR9ECSIX-5	6014
MXZ 1000		1000	2	2006-		0.8	BR8ECS	3972		BR8EIX	5044
Summit Highmark 2T		1000	2	2005-		0.5	BR8ECS	3972		BR8EIX	5044
Expedition 1200		1200	3	-2010		0.7	CR8EKB	4374			
Expedition LE 1200 4-TEC		1200	3	2011-		0.7	CR8EKB	4374			
Expedition SE 1200 4-TEC		1200	3	2010-		0.7	CR8EKB	4374			
Grand Touring 1200 4-TEC		1200	3	2010-		0.7	CR8EKB	4374			
GSX 1200 4-TEC		1200	3	2009-2015		0.7	CR8EKB	4374			
MXZ 1200 Adrenaline		1200	3	-2010		0.7	CR8EKB	4374			
MXZ 1200 iTC		1200	3	2016-		0.7	CR8EKB	4374			
MXZ 1200 TNT		1200	3	2010-2015		0.7	CR8EKB	4374			
MXZ 1200 X		1200	3	2010-2015		0.7	CR8EKB	4374			
Renegade 1200 4-Tec		1200	3	2016-		0.7	CR8EKB	4374			
Renegade Adrenaline 1200		1200	3	2010-2015		0.7	CR8EKB	4374			
Renegade X 1200		1200	3	2010-2015		0.7	CR8EKB	4374			

SKIROULE

KB 300		300		-		0.5	B8ES	2411	Q201	BR8EIX	5044
KS 300		300		-		0.5	B8ES	2411	Q201	BR8EIX	5044
Laser		340		-		*	BUE	2322			
Ultra 340		340		-		*	BUE	2322			
Laser		440		-		*	BUE	2322			
Laser 400X		440		-		*	BUE	2322			
Ultra 440		440		-		*	BUE	2322			

SNO JET

S 292		292		-	YAMAHA	*	BR9EIX**	3981			
Y 292		292		-	YAMAHA	0.5	B8ES	2411	Q201	BR8EIX	5044
S 338		338		-	YAMAHA	*	BR8EIX**	5044			
SST 340		338		-	YAMAHA	*	BR9EIX**	3981			
SX 338		338		-	YAMAHA	*	BR9EIX**	3981			
Y 338		338		-	YAMAHA	0.5	B7HS	5110		BR7HIX	7067
ASTRO 340		399		-	KAWASAKI	0.7	BR8ES	5422	Q207	BR8EIX	5044
S 433		433		-1976	YAMAHA	*	BR9EIX**	3981			
S 433		433		-1975	YAMAHA	*	BR8EIX**	5044			
SST 440		433		-	YAMAHA	*	BR9EIX**	3981			
SX 433		433		-	YAMAHA	*	BR9EIX**	3981			
Y 433		433		-	YAMAHA	0.5	B7HS	5110		BR7HIX	7067
ASTRO 440		436		-	KAWASAKI	0.7	BR8ES	5422	Q207	BR8EIX	5044

SUZUKI

Nomad		292		-		0.7	B7HS	5110		BR7HIX	7067
Nomad		336		-		0.7	B7HS	5110		BR7HIX	7067
F / C		340		-		0.8	BR9EYA	7548		BR9EIX	3981
SM10		360		-		0.7	B7HS	5110		BR7HIX	7067
SM10D		360		-		0.7	B7HS	5110		BR7HIX	7067
370F/C		370		-		0.8	BR9EYA	7548		BR9EIX	3981
400 Wide Track		395		-		0.7	B7HS	5110		BR7HIX	7067
SM20		395		-		0.7	B7HS	5110		BR7HIX	7067

* Bitte Elektrodenabstand nach Angaben des Herstellers justieren

* Please adjust the ground electrode gap

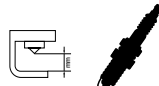
* Veuillez vérifier l'écartement

* Por favor, ajustar la distancia entre los electrodos

* Regolare il gap

* Iridium IX Spark Plug is the standard recommendation





Stock No.

Quick No.

Upgrade ↑

Stock No. ↑

SUZUKI

SM20 Hop Up Kit		395	-		0.7	B8ES	2411	Q201	BR8EIX	5044
XR400		395	-		0.7	B7HS	5110		BR7HIX	7067
440 L/C-ZRV		400	1998-		0.7	BR10ES	4832		BR10EIX	6801
440 L/C-ZRV		400	1999-		0.8	BR10EIX**	6801			
440 L/C-ZRV		400	2000-		0.8	BR9EYA	7548		BR9EIX	3981
440 XR		432	-		0.7	B7HS	5110		BR7HIX	7067
440 F/C		433	-		0.8	BR9EYA	7548		BR9EIX	3981
440 F/C-C		433	-		0.8	BR9ES	5722		BR9EIX	3981
440 L/C-LWS		433	-		0.8	BR9EYA	7548		BR9EIX	3981
SM440M		433	-		0.7	BR9EIX**	3981			
F / C		500	-		0.8	BR9ES	5722		BR9EIX	3981
L/C		500	1999-		0.8	BR9EYA	7548		BR9EIX	3981
L/C		500	2000-		0.8	BR10EIX**	6801			
L/C-EID		500	1999-		0.8	BR9EYA	7548		BR9EIX	3981
550 L/C		530	-		0.8	BR9EYA	7548		BR9EIX	3981
L/C		530	-		0.7	BR10ES	4832		BR10EIX	6801
L/C-EID		580	-		0.8	BR9EYA	7548		BR9EIX	3981
L/C		600	-		0.8	BR9EYA	7548		BR9EIX	3981
L/C-EID		600	-		0.8	BR9EYA	7548		BR9EIX	3981
L/C		650	-		0.7	BR10ES	4832		BR10EIX	6801
L/C		700	-1995		0.8	BR9ES	5722		BR9EIX	3981
L/C		700	1999-		0.7	BR10ES	4832		BR10EIX	6801
L/C		785	-		0.8	BR9EYA	7548		BR9EIX	3981
L/C		800	-		0.8	BR9EYA	7548		BR9EIX	3981
L/C		900	-		0.8	BR9EYA	7548		BR9EIX	3981
L/C		1000	-		0.8	BR9EYA	7548		BR9EIX	3981

THREE R INDUSTRIES

TRAIL ROAMER		725	-		0.6	BKR5ES	2460		BKR5EIX	6341
--------------	--	-----	---	--	-----	--------	------	--	---------	------

TRAIL MANTA

EC34PL		340	-		0.8	BR9ES	5722		BR9EIX	3981
440 L/C		440	-		0.8	BR9ES	5722		BR9EIX	3981
500 L/C		500	-		0.8	BR9ES	5722		BR9EIX	3981

XENOAH

XENOAH FC		340	-		0.6	B8ES	2411	Q201	BR8EIX	5044
XENOAH LC		340	-		*	BUE	2322			
XENOAH LC		440	-		*	BUE	2322			

YAMAHA

SE 80		80	1	-	0.7	BR8HS	4915	Q212	BR8HIX	7001
SV 80 Series		80	1	-	0.7	BR8HS	4915	Q212	BR8HIX	7001
SV 125 Series		125		-	0.7	BR8HS	4915	Q212	BR8HIX	7001
BR 250 Series		250		-	0.7	BR8HS	4915	Q212	BR8HIX	7001
ET 250A		250		-	0.6	BR8HIX**	7001			
ET 250B		250		-	0.6	BR8HIX**	7001			
ET 250 Series		250		-	0.7	B8HS	5510		BR8HIX	7001
CF 300		300		-	0.7	BR8HS	4915	Q212	BR8HIX	7001
EC 300		300		-	0.8	BR9ES	5722		BR9EIX	3981
ET 300C		300		-	0.6	BR9EIX**	3981			
ET 300 Series		300		-	0.8	BR9ES	5722		BR9EIX	3981
CS 340		340		-	0.8	BR9ES	5722		BR9EIX	3981
CS 340 E		340		-	0.8	BR9ES	5722		BR9EIX	3981

*Bitte Elektrodenabstand nach Angaben des Herstellers justieren

*Please adjust the ground electrode gap

*Veuillez vérifier l'écartement

* Por favor, ajustar la distancia entre los electrodos

*Regolare il gap

** Iridium IX Spark Plug is the standard recommendation





Stock No.

Quick No.

Upgrade ↑

Stock No. ↑

YAMAHA

CS 340 EC		340	-		0.8	BR9ES	5722		BR9EIX	3981
EC 340 Series		340	-		0.8	BR9ES	5722		BR9EIX	3981
ET 340 B		340	-		0.6	BR9EIX**	3981			
ET 340 C		340	-		0.6	BR9EIX**	3981			
ET 340 EC		340	-		0.6	BR9EIX**	3981			
ET 340 Series		340	-		0.8	BR9ES	5722		BR9EIX	3981
EX 340 Series		340	-		0.6	BR9EIX**	3981			
EX 570 Series		340	-		0.8	BR9ES	5722		BR9EIX	3981
S 340		340	-		0.8	BR8ES	5422	Q207	BR8EIX	5044
ET 400 Series		400	-		0.8	BR8ES	5422	Q207	BR8EIX	5044
SS 440 Series		440	-		0.8	BR9ES	5722		BR9EIX	3981
PZ 480 Series		480	-		0.8	BR9ES	5722		BR9EIX	3981
VT 480 Series		480	-		0.8	BR9ES	5722		BR9EIX	3981
Phazer SS		485	1997-1998		0.8	BR9ECS	4677		BR9ECSIX	5438
Multi Purpose		499	2 2010-		0.7	CR9EKB	2305			
Phazer	RTX	499	2 2010-		0.7	CR9EKB	2305			
Phazer	MTX	499	2 2010-		0.7	CR9EKB	2305			
Phazer	GT	499	2 2012-		0.8	CR9EKB	2305			
Venture Lite		499	2 2010-		0.7	CR9EKB	2305			
PZ 500		500	-		0.8	BR9ES	5722		BR9EIX	3981
PZ 500 C		500	-		0.8	BR9ES	5722		BR9EIX	3981
PZ 500 DX		500	-		0.8	BR9ES	5722		BR9EIX	3981
PZ 500 ML		500	-		0.8	BR9ES	5722		BR9EIX	3981
PZ 500 MLD		500	-		0.8	BR9ES	5722		BR9EIX	3981
PZ 500 ST		500	-		0.8	BR9ES	5722		BR9EIX	3981
SX 500		500	-		0.8	BR9ES	5722		BR9EIX	3981
SX 500 D		500	-		0.8	BR9ES	5722		BR9EIX	3981
V-Max 500		500	1996-1999		0.8	BR9ECS	4677		BR9ECSIX	5438
V-Max SX		500	1999-1999		0.8	BR9ECS	4677		BR9ECSIX	5438
VT 500 Series		500	-		0.8	BR9ES	5722		BR9EIX	3981
VX 500 Series		500	-		0.8	BR9ES	5722		BR9EIX	3981
III	VK	540	2005-		0.8	BR9ES	5722		BR9EIX	3981
SR 540 Series		540	-1989		0.8	BR9ES	5722		BR9EIX	3981
SR 540 Series		540	1990-1994		0.6	BR9EIX**	3981			
VK 540 Series		540	-		0.8	BR9ES	5722		BR9EIX	3981
VMX 540 Series		540	-1989		0.8	BR9ES	5722		BR9EIX	3981
VMX 540 Series		540	1990-1994		0.6	BR9EIX**	3981			
XL 540 Series		540	-		0.8	BR9ES	5722		BR9EIX	3981
MM 600		600	-		0.8	BR9ES	5722		BR9EIX	3981
MM 600 D		600	-		0.8	BR9ES	5722		BR9EIX	3981
Mountain Max		600	2 1999-1999		0.8	BR9ECS	4677		BR9ECSIX	5438
SRX 600		600	3 1999-		0.8	BR9ECS	4677		BR9ECSIX	5438
SRX 600		600	3 1999-1999		0.8	BR9ECS	3570		BR9ECSIX	5438
SRX 600 C		600	3 1999-		0.8	BR9ECS	3570		BR9ECSIX	5438
SRX 600 S		600	3 1999-		0.8	BR9ECS	3570		BR9ECSIX	5438
SRX 600 SC		600	3 1999-		0.8	BR9ECS	3570		BR9ECSIX	5438
SRX 600 Series		600	-1998		0.8	BR10ECS	5880			
SX 600		600	-		0.8	BR9ES	5722		BR9EIX	3981
SX 600 D		600	-		0.8	BR9ES	5722		BR9EIX	3981
Venture 600		600	2 1998-1999		0.8	BR9ECS	4677		BR9ECSIX	5438
V-Max SX		600	2 1998-1999		0.8	BR9ECS	4677		BR9ECSIX	5438
VT 600		600	-2000		0.8	BR9ECS	3570		BR9ECSIX	5438

*Bitte Elektrodenabstand nach Angaben des Herstellers justieren

*Please adjust the ground electrode gap

*Veuillez vérifier l'écartement

* Por favor, ajustar la distancia entre los electrodos

*Regolare il gap

* Iridium IX Spark Plug is the standard recommendation





Stock No.

Quick No.

Upgrade ↑

Stock No. ↑

YAMAHA

VT 600		600	3	1999-		0.8	BR9ES	5722		BR9EIX	3981
VT 600 C		600	3	1999-		0.8	BR9ES	5722		BR9EIX	3981
VT 600 D		600	3	1999-		0.8	BR9ES	5722		BR9EIX	3981
VX 600 Series		600		-		0.8	BR9ES	5722		BR9EIX	3981
MM 700/D		700		-		0.8	BR9ES	5722		BR9EIX	3981
SRX 700		700	3	1999-		0.8	BR9ECS	4677		BR9ECSIX	5438
SRX 700		700	3	1999-2002		0.8	BR9ECS	3570		BR9ECSIX	5438
SRX 700 C		700	3	1999-		0.8	BR9ECS	3570		BR9ECSIX	5438
SRX 700 S		700	3	1999-		0.8	BR9ECS	3570		BR9ECSIX	5438
SRX 700 SC		700	3	1999-		0.8	BR9ECS	3570		BR9ECSIX	5438
SRX 700 Series		700		-1998		0.8	BR10ECS	5880			
SX 700		700		-		0.8	BR9ES	5722		BR9EIX	3981
SX 700 D		700		-		0.8	BR9ES	5722		BR9EIX	3981
SX 700 SD		700		-		0.8	BR9ES	5722		BR9EIX	3981
V-Max 700		700	3	1998-1999		0.8	BR9ECS	4677		BR9ECSIX	5438
VT 700 Series		700		-		0.8	BR9ES	5722		BR9EIX	3981
VX 700 Series		700		-		0.8	BR9ES	5722		BR9EIX	3981
VX 750 Series		750		-		0.8	BR9ES	5722		BR9EIX	3981
VX 800 Series		800		-		0.8	BR9ES	5722		BR9EIX	3981
Nytro ER Nytro	RS	973	3	2006-		0.7	CR8E	4854	Q226	CR8EIX	4218
Nytro ER Vertor	RS	973	3	2006-		0.7	CR8E	4854	Q226	CR8EIX	4218
Rage	RS	973	3	2005-		0.7	CR9E	6263	Q227	CR9EIX	3521
RS Rage	RSG	973	3	2006-		0.7	CR8E	4854	Q226	CR8EIX	4218
Vector GT	RS	973	3	2005-		0.7	CR9E	6263	Q227	CR9EIX	3521
Venture TF	RS	973	3	2005-		0.7	CR9E	6263	Q227	CR9EIX	3521
Viking Professional	RS	973	3	2010-		0.7	CR9E	6263	Q227	CR9EIX	3521
Apex	RX	998	4	2006-		0.7	CR9EB	6955			
Apex		998	4	2012-		0.7	CR9EB	6955			
Apex SE		998	4	2012-		0.7	CR9EB	6955			
Apex XTX		998	4	2012-		0.7	CR9EB	6955			
Attak	RXW-10	998	4	2006-		0.7	CR9EB	6955			
ER	RX-1	998	4	2005-		0.7	CR9E	6263	Q227	CR9EIX	3521
Warrior	RX	998	4	2005-		0.7	CR9E	6263	Q227	CR9EIX	3521
Warrior GT	RX	998	4	2010-		0.7	CR9E	6263	Q227	CR9EIX	3521
FX Nytro M-TX SE 162	FX	1049	3	2010-		0.7	CR9E	6263	Q227	CR9EIX	3521
FX Nytro R-TX SE	FX	1049	3	2010-		0.7	CR9E	6263	Q227	CR9EIX	3521
FX Nytro X-TX	FX	1049	3	2010-		0.7	CR9E	6263	Q227	CR9EIX	3521
Venture Lite		1049	2	2012-		0.8	CR9EKB	2305			
Venture TF 120 FI	RS	1049	3	2009-		0.7	CR9E	6263	Q227	CR9EIX	3521
Venture TF 120 GT	RS	1049	3	2009-		0.7	CR9E	6263	Q227	CR9EIX	3521

*Bitte Elektrodenabstand nach Angaben des Herstellers justieren

*Please adjust the ground electrode gap

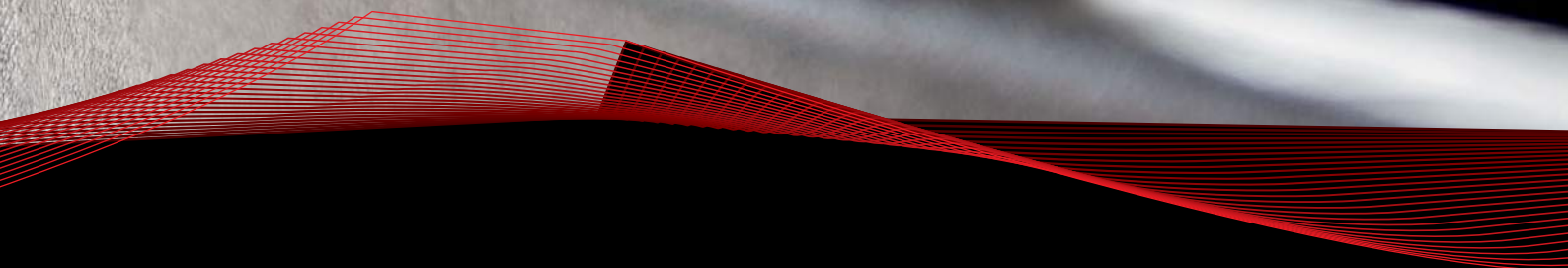
*Veuillez vérifier l'écartement

* Por favor, ajustar la distancia entre los electrodos

*Regolare il gap

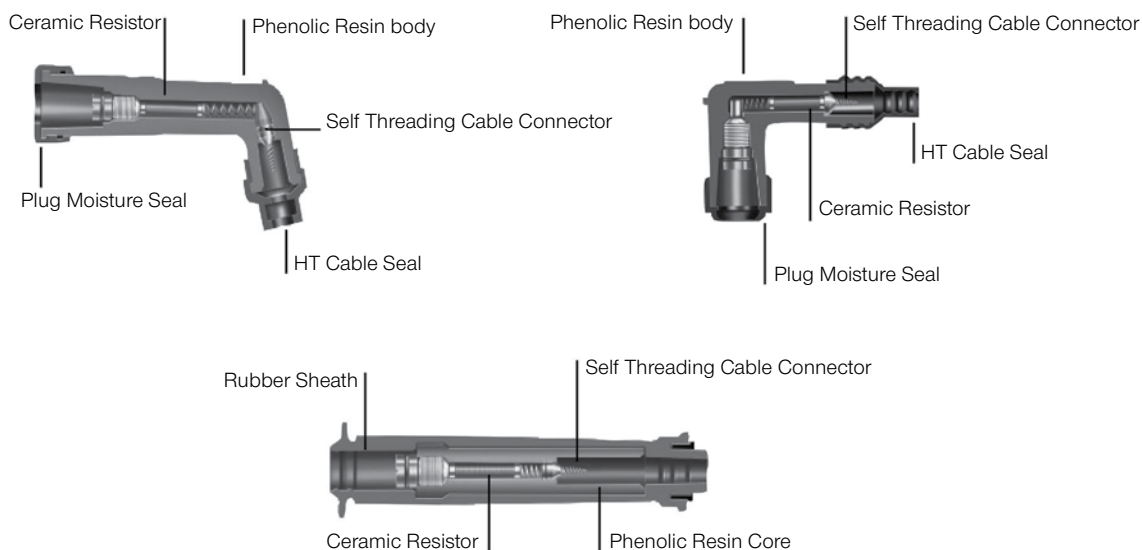
** Iridium IX Spark Plug is the standard recommendation



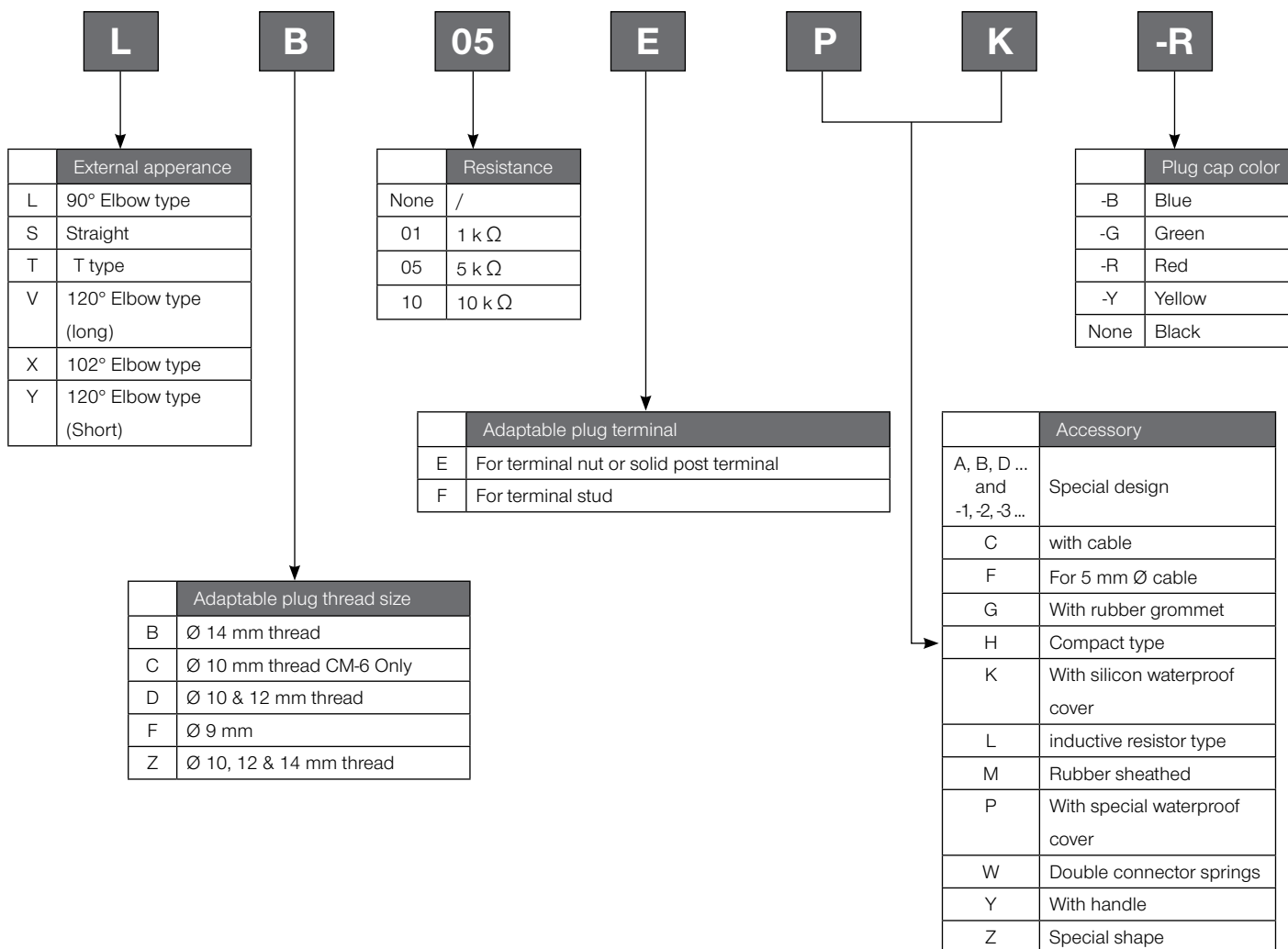


IGNITION
PARTS

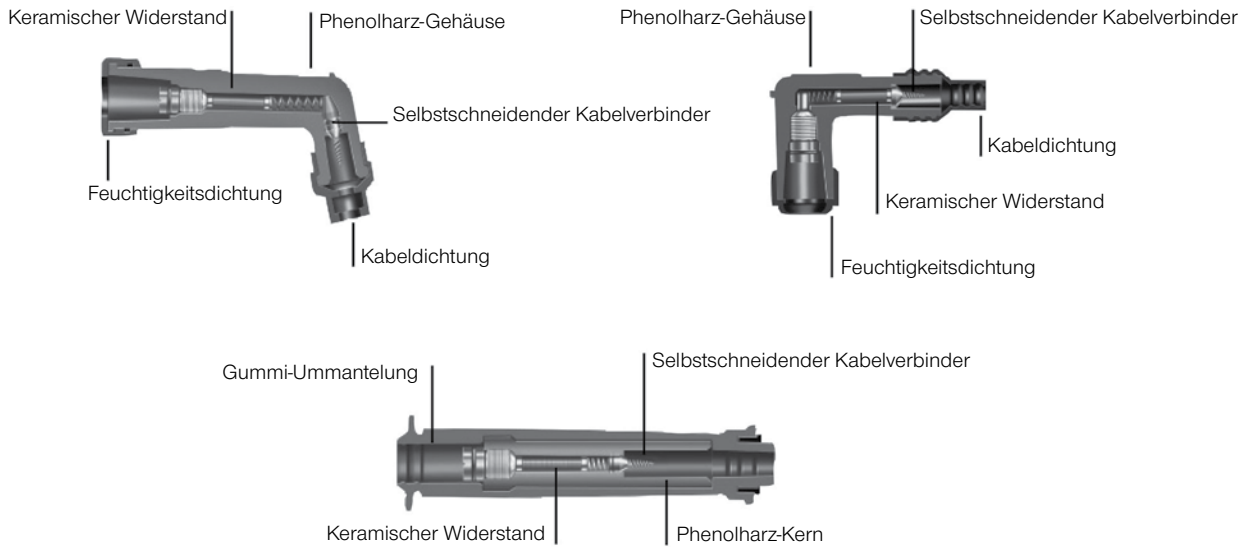
NGK RESISTOR PLUG COVERS



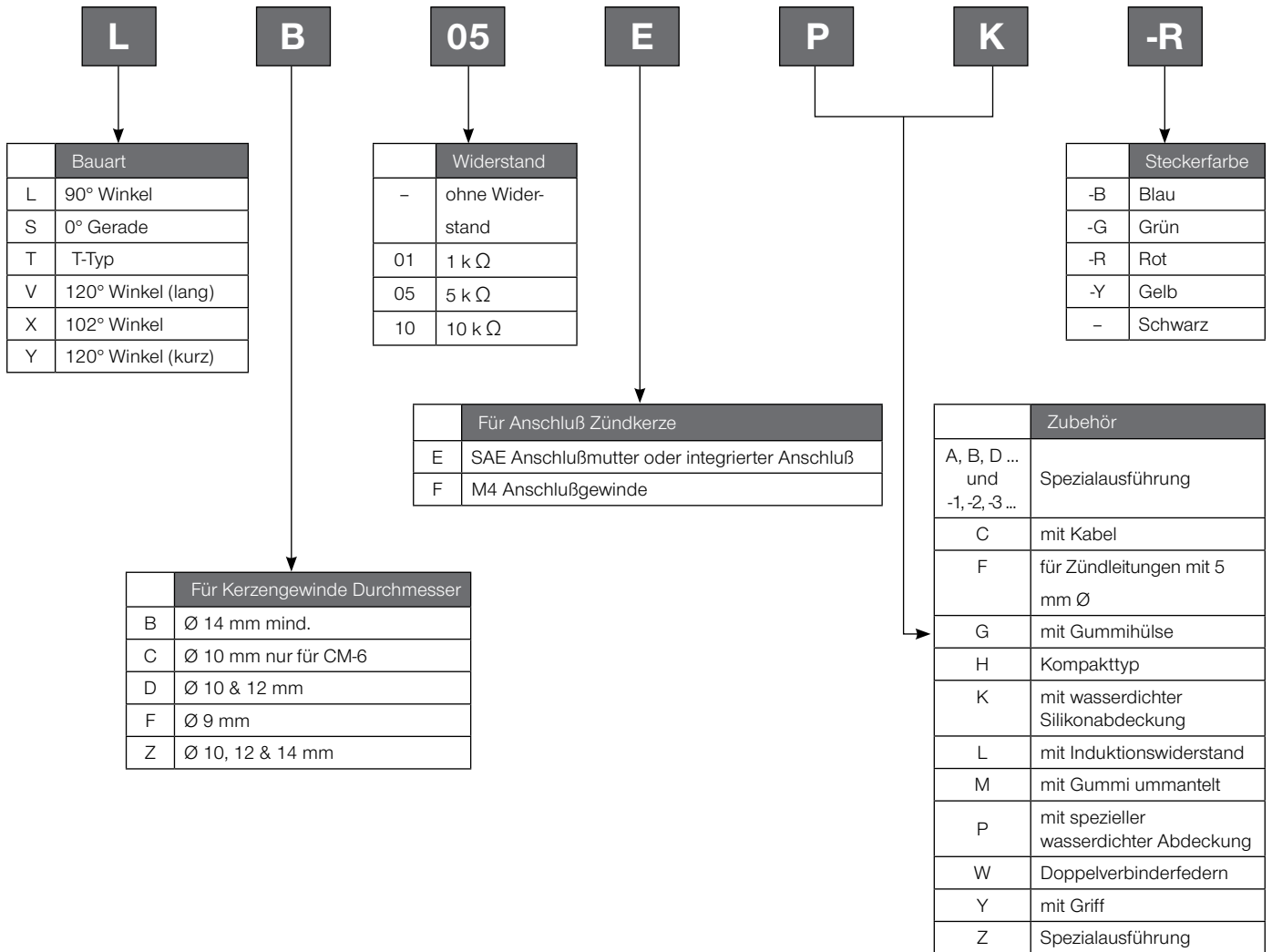
COVER SYMBOLS EXPLANATION CHART



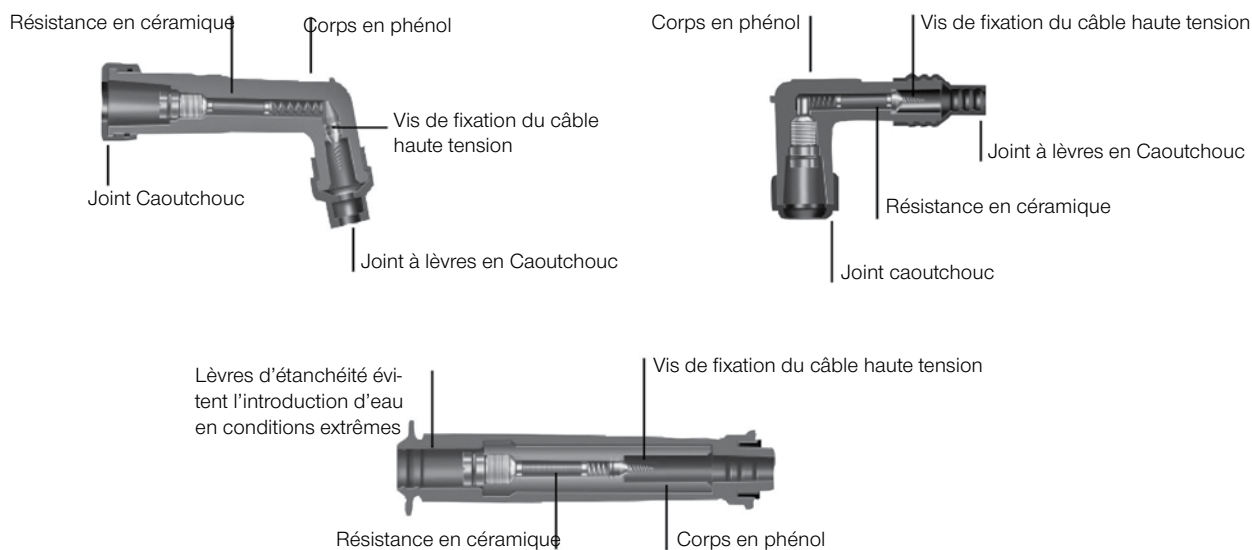
NGK ZÜNDKERZENSTECKER



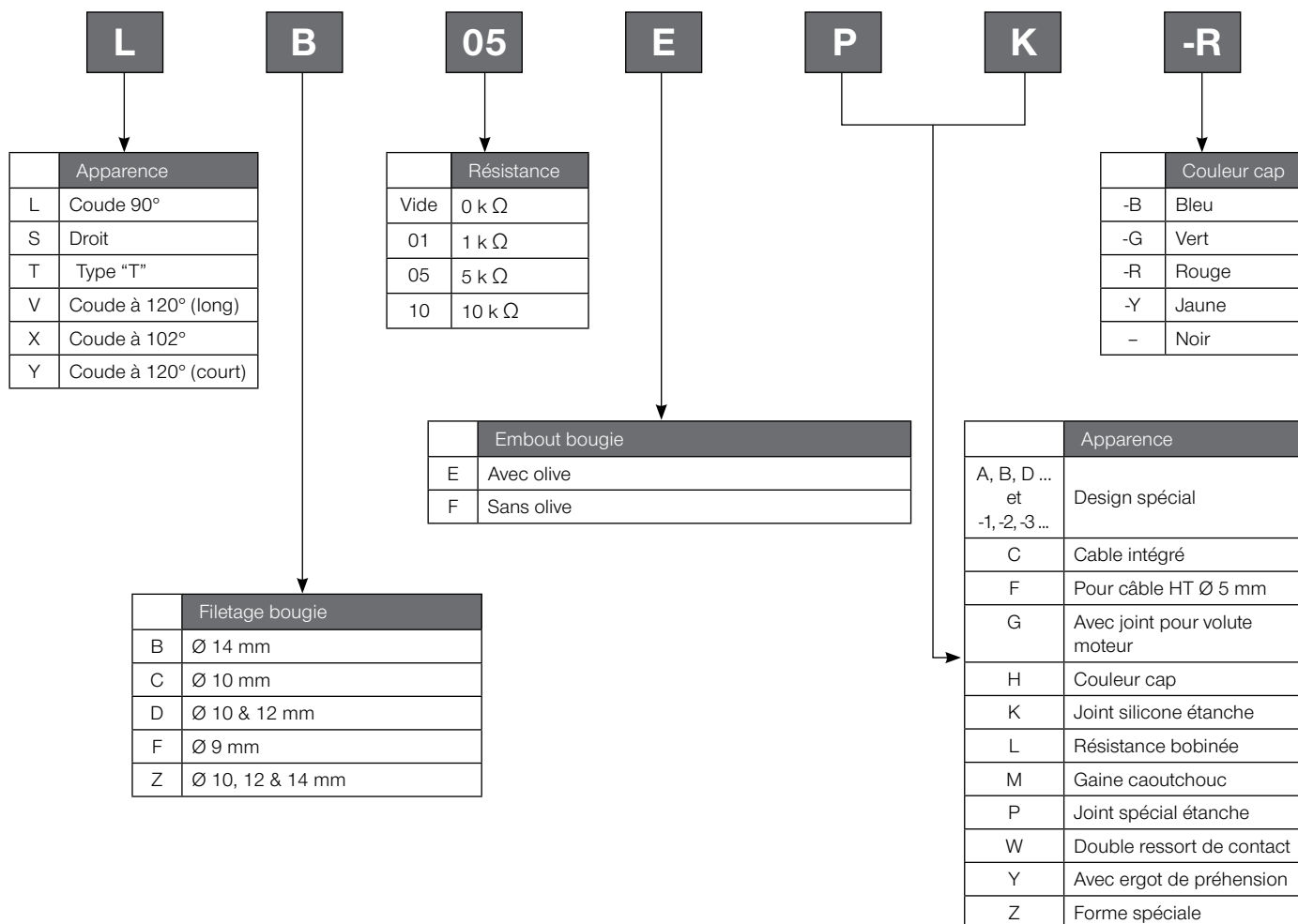
ERKLÄRUNG DER KURZZEICHEN



TECHNOLOGIES



SIGNIFICATION DES RÉFÉRENCES



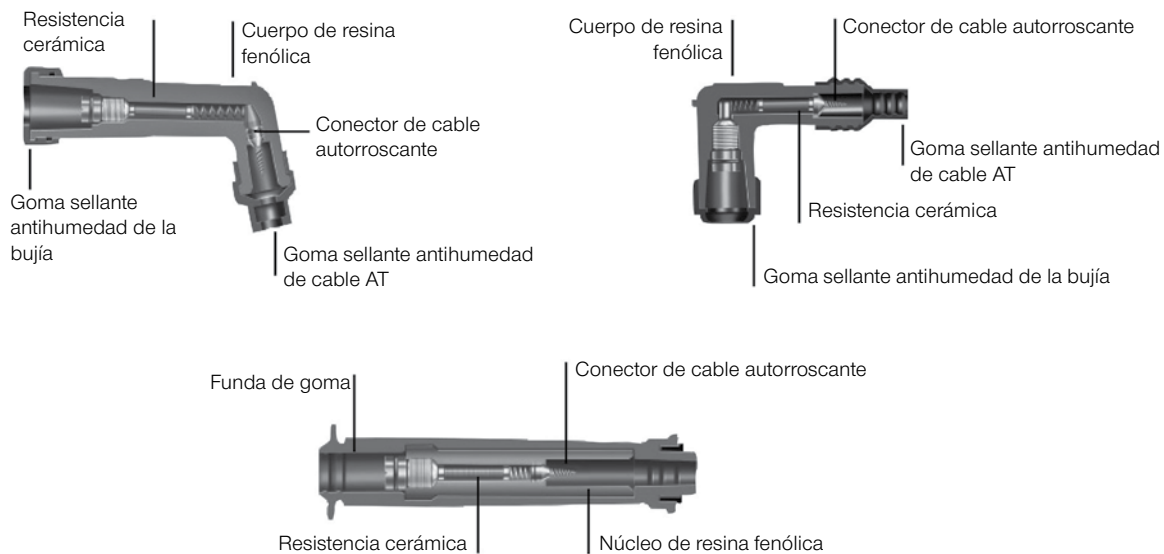
CAPPUCCI CANDELA CON RESISTORE NGK



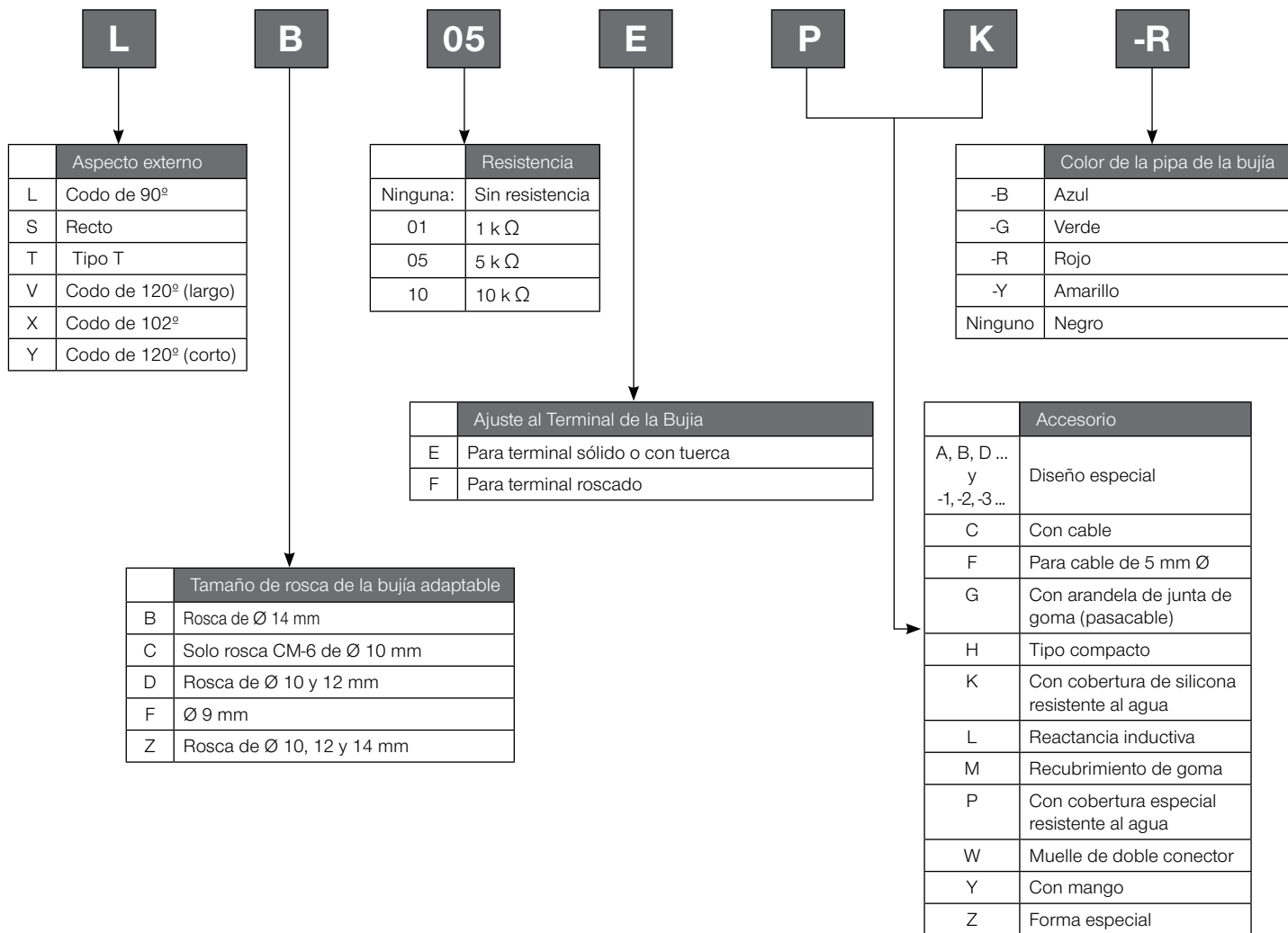
TABELLA SPIEGAZIONE CODICI CAPPUCCI

L	B	05	E	P	K	-R																																																																																						
<table border="1"> <thead> <tr> <th colspan="2">Aspetto esteriore</th> </tr> </thead> <tbody> <tr> <td>L</td> <td>Tipo gomito 90°</td> </tr> <tr> <td>S</td> <td>Dritto</td> </tr> <tr> <td>T</td> <td>Tipo T</td> </tr> <tr> <td>V</td> <td>Tipo gomito 120° (lungo)</td> </tr> <tr> <td>X</td> <td>Tipo gomito 102°</td> </tr> <tr> <td>Y</td> <td>Tipo gomito 120° (corto)</td> </tr> </tbody> </table>	Aspetto esteriore		L	Tipo gomito 90°	S	Dritto	T	Tipo T	V	Tipo gomito 120° (lungo)	X	Tipo gomito 102°	Y	Tipo gomito 120° (corto)	<table border="1"> <thead> <tr> <th colspan="2">Resistenza</th> </tr> </thead> <tbody> <tr> <td>Nessuna</td> <td>Nessun resistore</td> </tr> <tr> <td>01</td> <td>1 kΩ</td> </tr> <tr> <td>05</td> <td>5 kΩ</td> </tr> <tr> <td>10</td> <td>10 kΩ</td> </tr> </tbody> </table>	Resistenza		Nessuna	Nessun resistore	01	1 kΩ	05	5 kΩ	10	10 kΩ	<table border="1"> <thead> <tr> <th colspan="2">Terminale candela adattabile</th> </tr> </thead> <tbody> <tr> <td>E</td> <td>Per terminale con nottolino o terminale ad ogiva</td> </tr> <tr> <td>F</td> <td>Per terminale filettato</td> </tr> </tbody> </table>	Terminale candela adattabile		E	Per terminale con nottolino o terminale ad ogiva	F	Per terminale filettato	<table border="1"> <thead> <tr> <th colspan="2">Colore cappuccio candela</th> </tr> </thead> <tbody> <tr> <td>-B</td> <td>Blu</td> </tr> <tr> <td>-G</td> <td>Verde</td> </tr> <tr> <td>-R</td> <td>Rosso</td> </tr> <tr> <td>-Y</td> <td>Giallo</td> </tr> <tr> <td>Nessuno</td> <td>Nero</td> </tr> </tbody> </table>	Colore cappuccio candela		-B	Blu	-G	Verde	-R	Rosso	-Y	Giallo	Nessuno	Nero	<table border="1"> <thead> <tr> <th colspan="2">Dimensione filettatura della candela adattabile</th> </tr> </thead> <tbody> <tr> <td>B</td> <td>Filettatura Ø 14 mm</td> </tr> <tr> <td>C</td> <td>Filettatura Ø 10 mm Solo CM-6</td> </tr> <tr> <td>D</td> <td>Filettatura Ø 10 & 12 mm</td> </tr> <tr> <td>F</td> <td>Ø 9 mm</td> </tr> <tr> <td>Z</td> <td>Filettatura Ø 10, 12 & 14 mm</td> </tr> </tbody> </table>	Dimensione filettatura della candela adattabile		B	Filettatura Ø 14 mm	C	Filettatura Ø 10 mm Solo CM-6	D	Filettatura Ø 10 & 12 mm	F	Ø 9 mm	Z	Filettatura Ø 10, 12 & 14 mm	<table border="1"> <thead> <tr> <th colspan="2">Accessorio</th> </tr> </thead> <tbody> <tr> <td>A, B, D... e -1, -2, -3...</td> <td>Design speciale</td> </tr> <tr> <td>C</td> <td>Con cavo</td> </tr> <tr> <td>F</td> <td>Per cavo 5 mm Ø</td> </tr> <tr> <td>G</td> <td>Con anello di tenuta in gomma</td> </tr> <tr> <td>H</td> <td>Tipo compatto</td> </tr> <tr> <td>K</td> <td>Con copertura in silicone impermeabile</td> </tr> <tr> <td>L</td> <td>Tipo resistore induttivo</td> </tr> <tr> <td>M</td> <td>Anello di tenuta in gomma</td> </tr> <tr> <td>P</td> <td>Con copertura speciale impermeabile</td> </tr> <tr> <td>W</td> <td>Molle del connettore doppio</td> </tr> <tr> <td>Y</td> <td>Con manico</td> </tr> <tr> <td>Z</td> <td>Forma speciale</td> </tr> </tbody> </table>	Accessorio		A, B, D... e -1, -2, -3...	Design speciale	C	Con cavo	F	Per cavo 5 mm Ø	G	Con anello di tenuta in gomma	H	Tipo compatto	K	Con copertura in silicone impermeabile	L	Tipo resistore induttivo	M	Anello di tenuta in gomma	P	Con copertura speciale impermeabile	W	Molle del connettore doppio	Y	Con manico	Z	Forma speciale	<table border="1"> <thead> <tr> <th colspan="2">Terminale candela adattabile</th> </tr> </thead> <tbody> <tr> <td>E</td> <td>Per terminale con nottolino o terminale ad ogiva</td> </tr> <tr> <td>F</td> <td>Per terminale filettato</td> </tr> </tbody> </table>	Terminale candela adattabile		E	Per terminale con nottolino o terminale ad ogiva	F	Per terminale filettato
Aspetto esteriore																																																																																												
L	Tipo gomito 90°																																																																																											
S	Dritto																																																																																											
T	Tipo T																																																																																											
V	Tipo gomito 120° (lungo)																																																																																											
X	Tipo gomito 102°																																																																																											
Y	Tipo gomito 120° (corto)																																																																																											
Resistenza																																																																																												
Nessuna	Nessun resistore																																																																																											
01	1 kΩ																																																																																											
05	5 kΩ																																																																																											
10	10 kΩ																																																																																											
Terminale candela adattabile																																																																																												
E	Per terminale con nottolino o terminale ad ogiva																																																																																											
F	Per terminale filettato																																																																																											
Colore cappuccio candela																																																																																												
-B	Blu																																																																																											
-G	Verde																																																																																											
-R	Rosso																																																																																											
-Y	Giallo																																																																																											
Nessuno	Nero																																																																																											
Dimensione filettatura della candela adattabile																																																																																												
B	Filettatura Ø 14 mm																																																																																											
C	Filettatura Ø 10 mm Solo CM-6																																																																																											
D	Filettatura Ø 10 & 12 mm																																																																																											
F	Ø 9 mm																																																																																											
Z	Filettatura Ø 10, 12 & 14 mm																																																																																											
Accessorio																																																																																												
A, B, D... e -1, -2, -3...	Design speciale																																																																																											
C	Con cavo																																																																																											
F	Per cavo 5 mm Ø																																																																																											
G	Con anello di tenuta in gomma																																																																																											
H	Tipo compatto																																																																																											
K	Con copertura in silicone impermeabile																																																																																											
L	Tipo resistore induttivo																																																																																											
M	Anello di tenuta in gomma																																																																																											
P	Con copertura speciale impermeabile																																																																																											
W	Molle del connettore doppio																																																																																											
Y	Con manico																																																																																											
Z	Forma speciale																																																																																											
Terminale candela adattabile																																																																																												
E	Per terminale con nottolino o terminale ad ogiva																																																																																											
F	Per terminale filettato																																																																																											

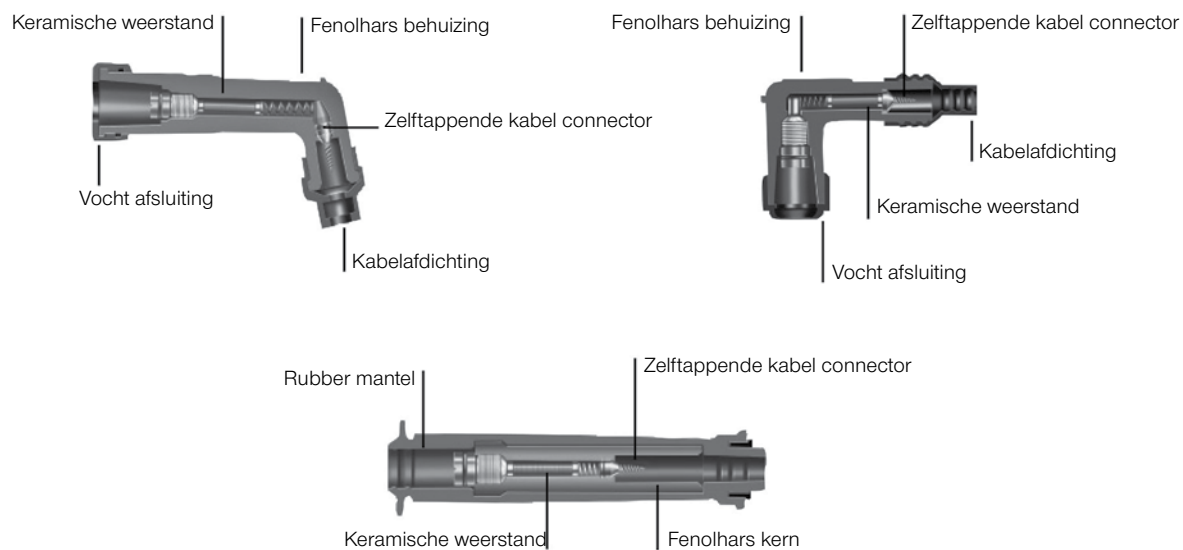
PIPAS DE BUJÍA NGK CON RESISTENCIA



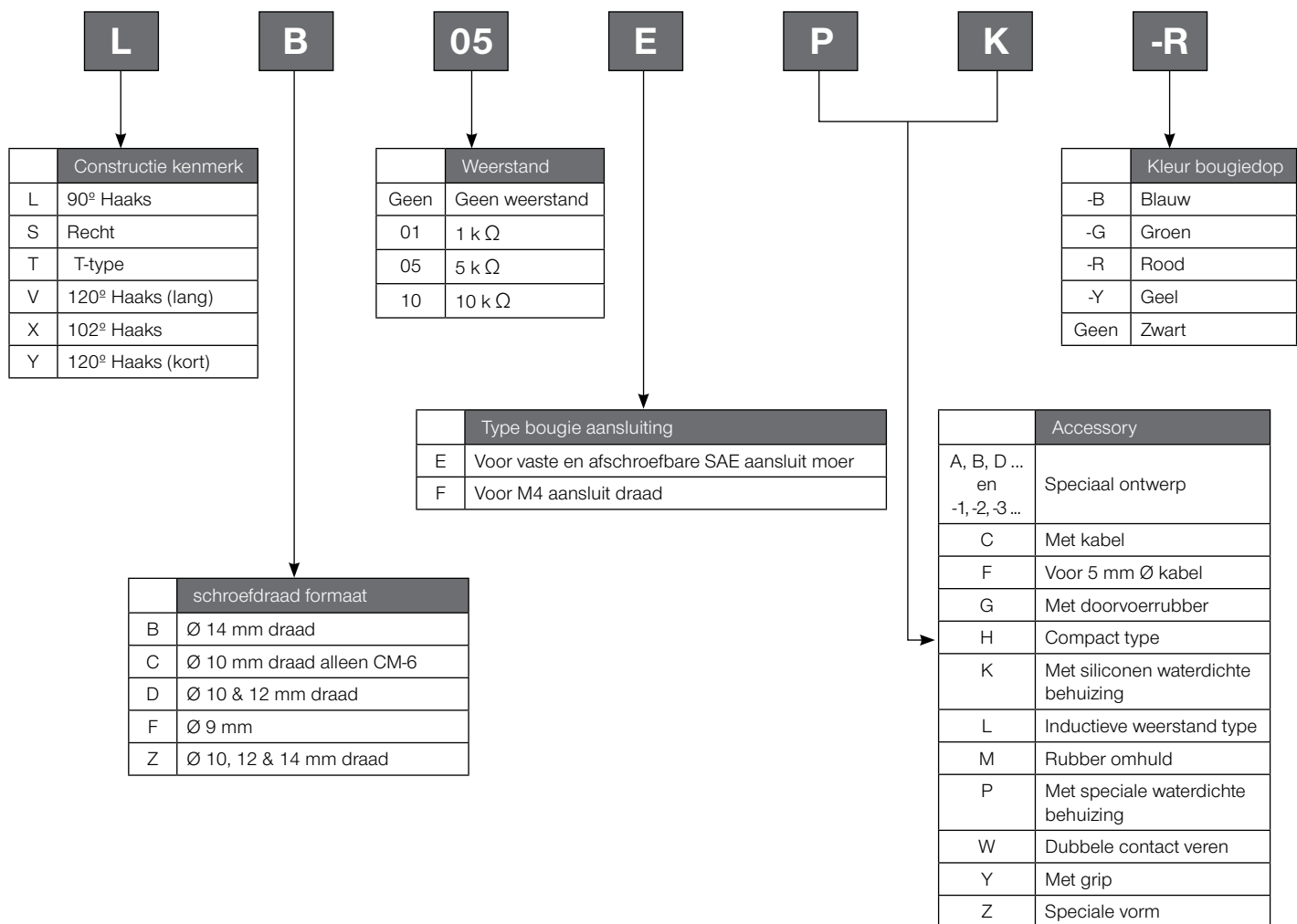
CODIFICACIÓN DE LAS PIPAS



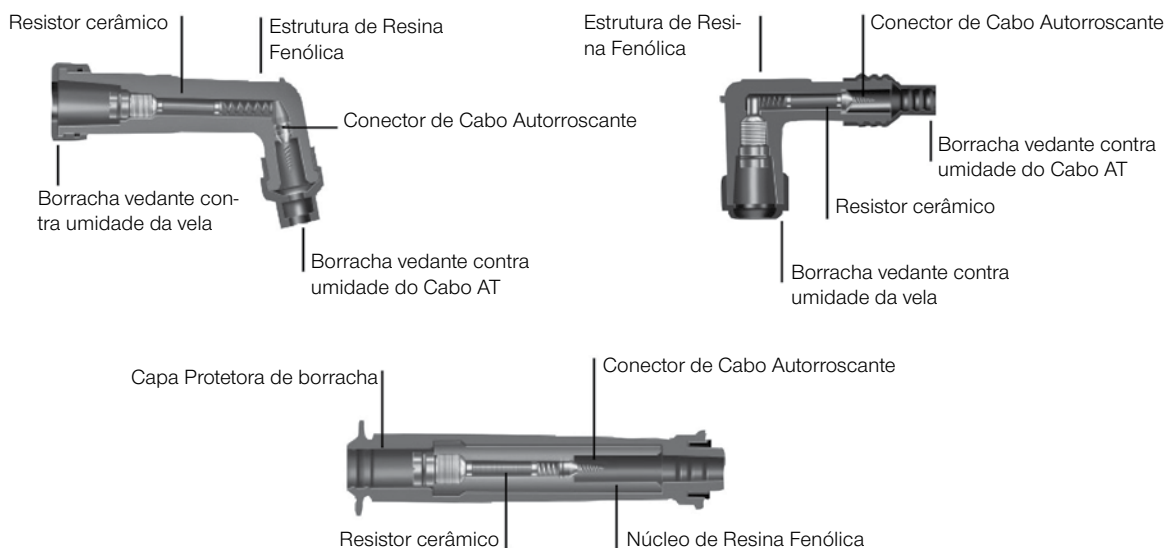
NGK ONTSTOORDE BOUGIE DOP



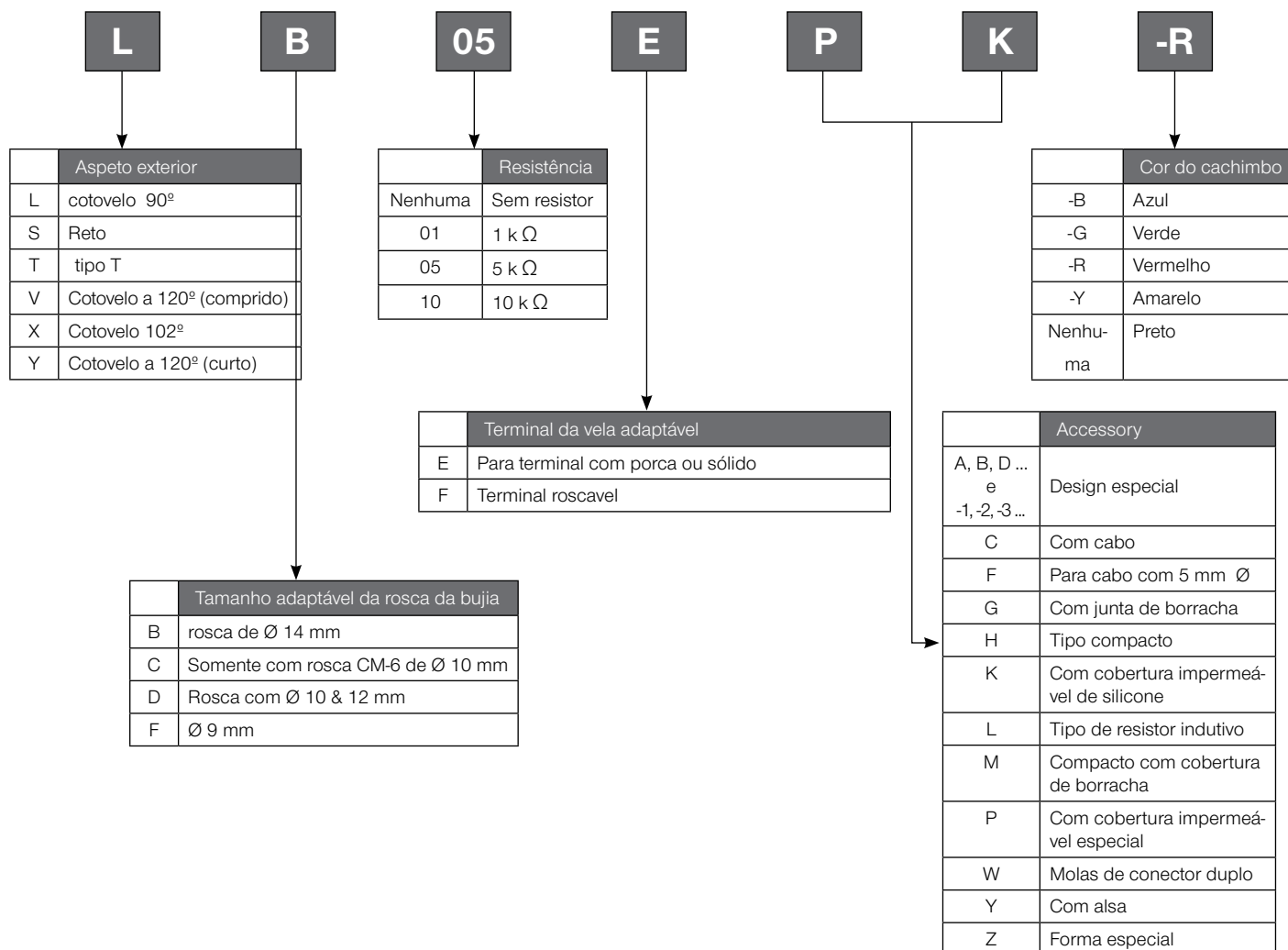
UITLEG MARKERINGSTEKENS



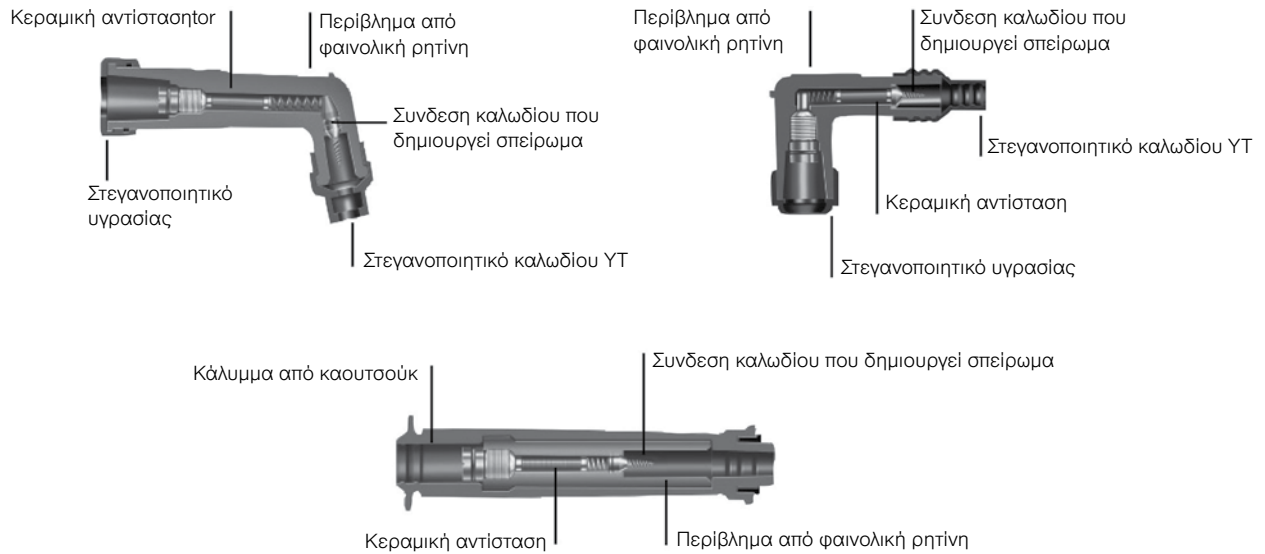
CACHIMBO DE RESISTOR NGK



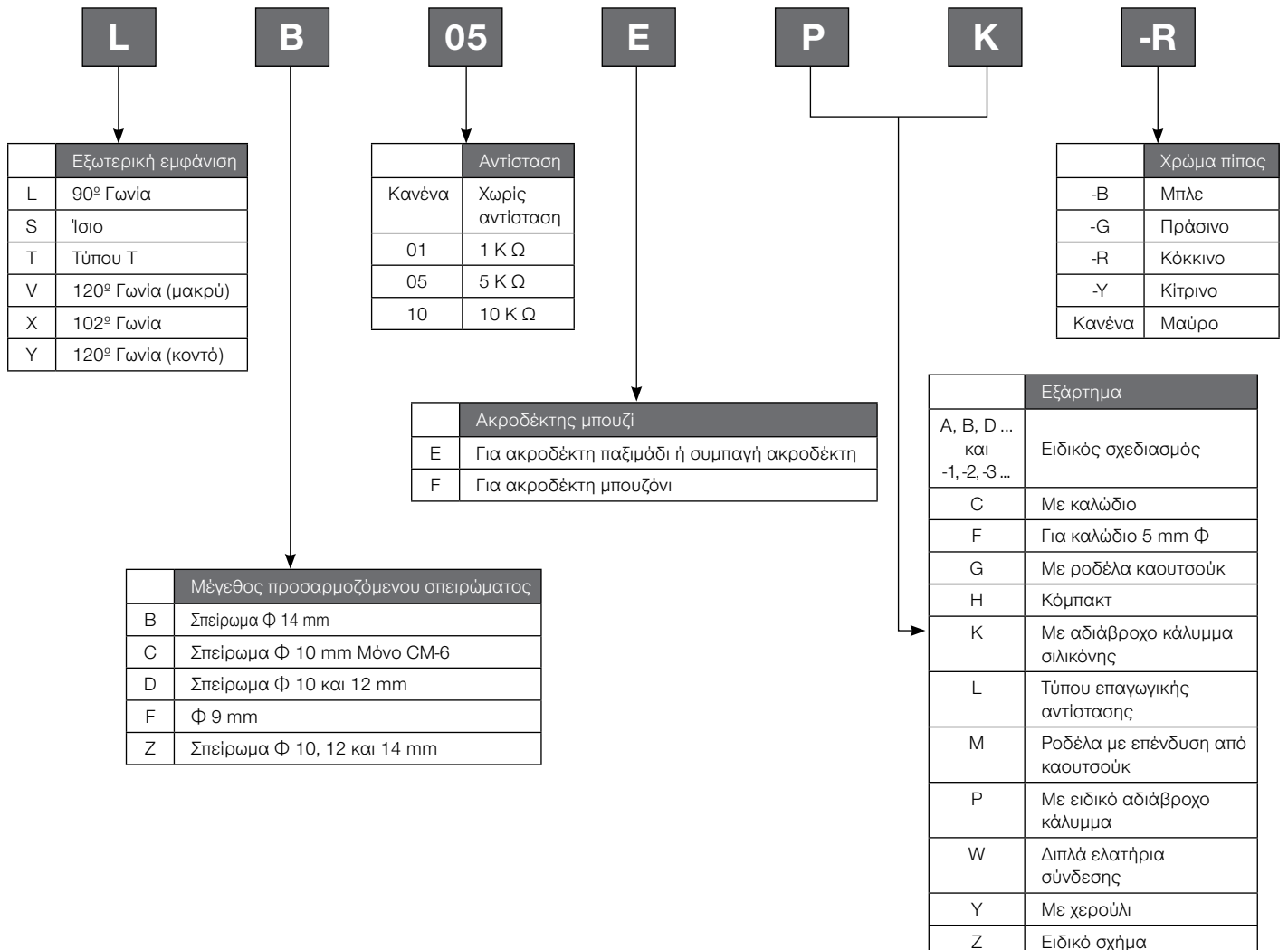
CODIFICAÇÃO DO CACHIMBO DE RESISTOR



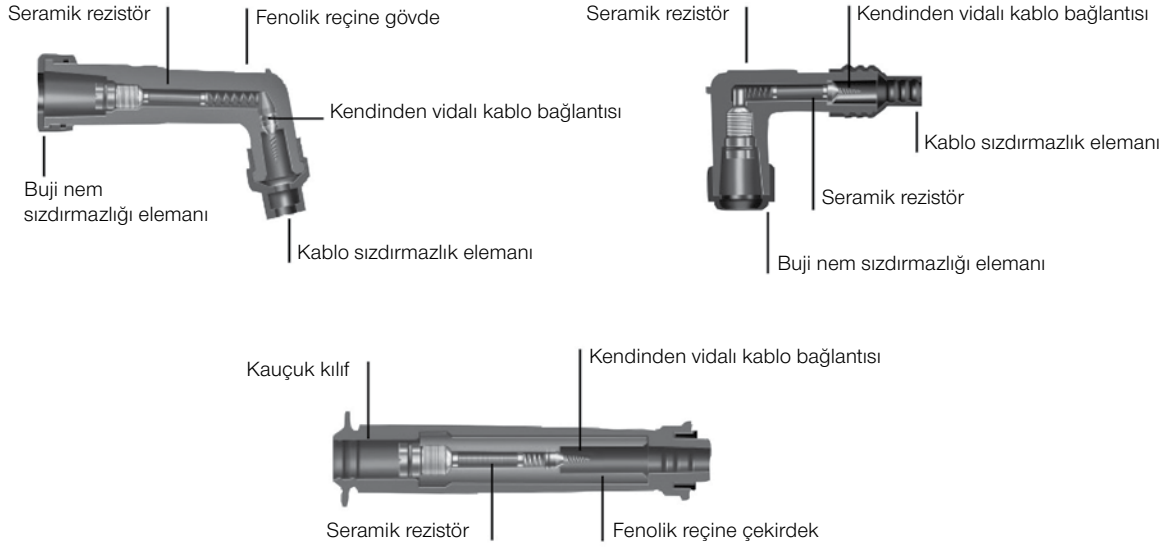
ΑΝΤΙΠΑΡΑΣΙΤΙΚΕΣ ΠΙΠΕΣ NGK



Σχεδιάγραμμα επεξήγησης συμβόλων



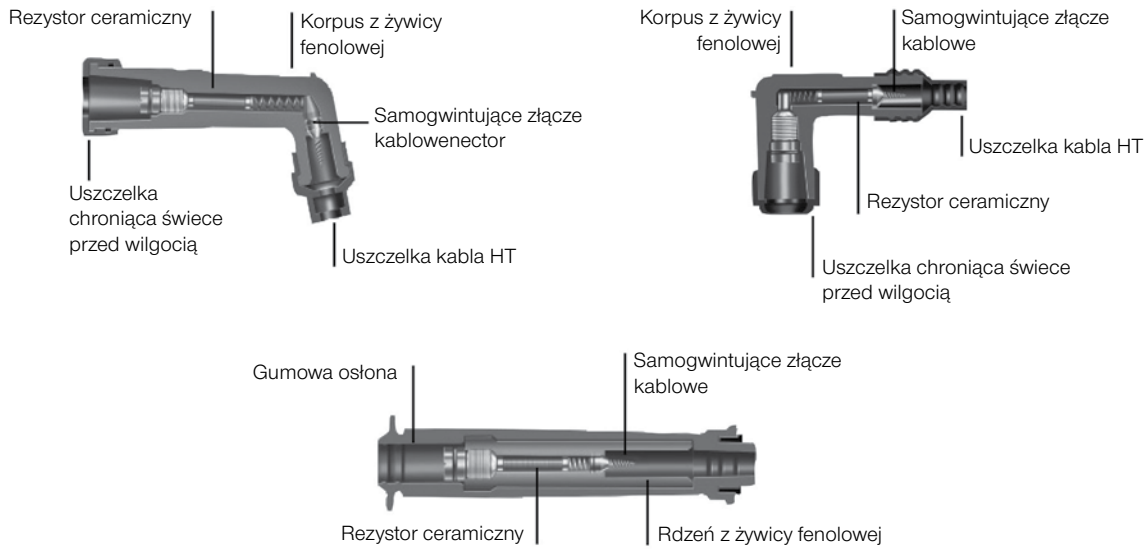
NGK DİRENÇLİ BUJİ BAŞLIKLARI



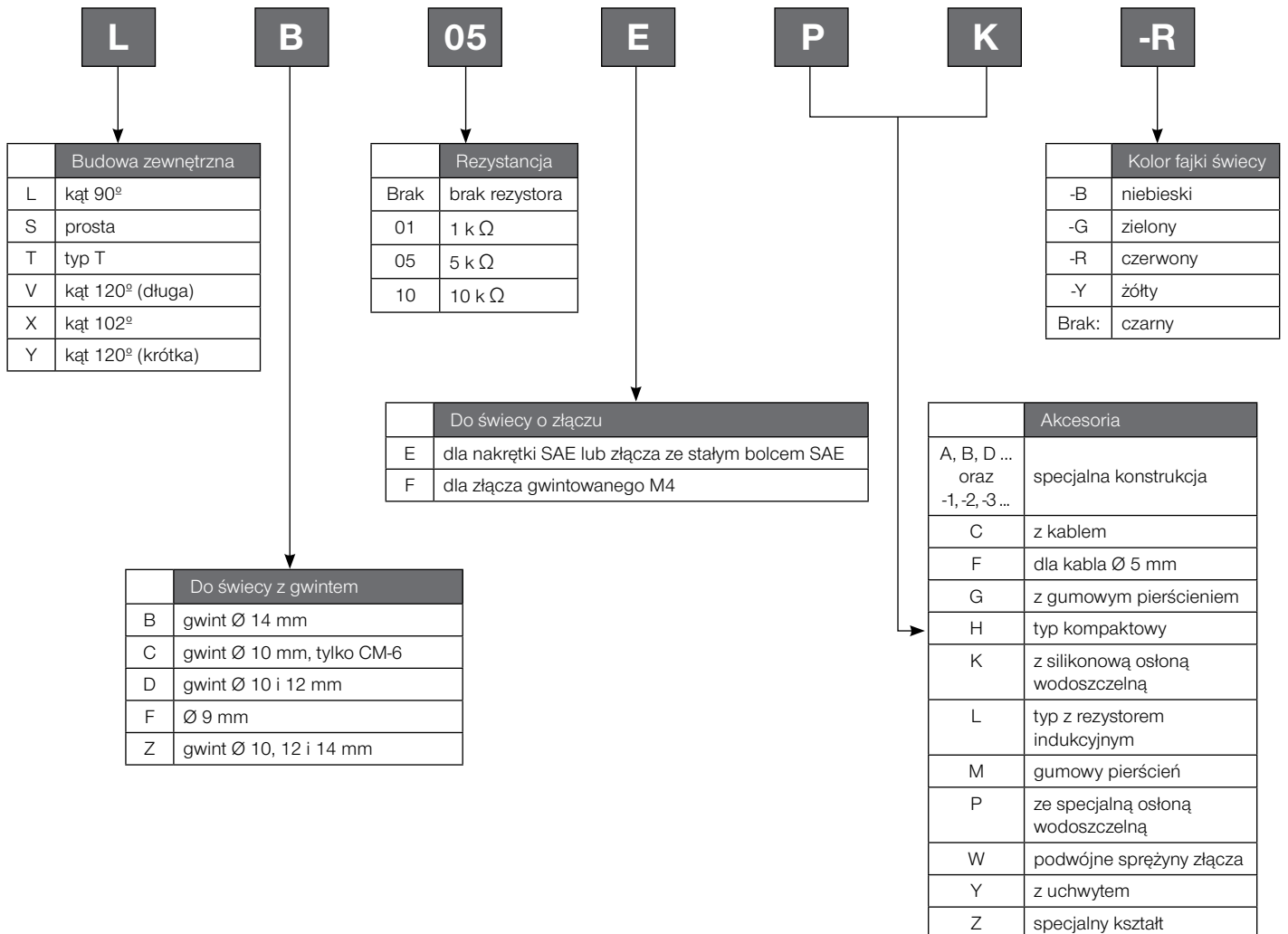
BUJİ BAŞLIKLARI KOD AÇIKLAMA TABLOSU

L	B	05	E	P	K	-R																																																																															
<table border="1"> <thead> <tr> <th></th> <th>Dış görünüm</th> </tr> </thead> <tbody> <tr> <td>L</td> <td>90° dirsek tip</td> </tr> <tr> <td>S</td> <td>Düz tip</td> </tr> <tr> <td>T</td> <td>T tip</td> </tr> <tr> <td>V</td> <td>120° dirsek tip (uzun)</td> </tr> <tr> <td>X</td> <td>102° dirsek tip</td> </tr> <tr> <td>Y</td> <td>dirsek tip (kısa)</td> </tr> </tbody> </table>		Dış görünüm	L	90° dirsek tip	S	Düz tip	T	T tip	V	120° dirsek tip (uzun)	X	102° dirsek tip	Y	dirsek tip (kısa)	<table border="1"> <thead> <tr> <th></th> <th>Direnç</th> </tr> </thead> <tbody> <tr> <td>Boş</td> <td>/</td> </tr> <tr> <td>01</td> <td>1 kΩ</td> </tr> <tr> <td>05</td> <td>5 kΩ</td> </tr> <tr> <td>10</td> <td>10 kΩ</td> </tr> </tbody> </table>		Direnç	Boş	/	01	1 k Ω	05	5 k Ω	10	10 k Ω	<table border="1"> <thead> <tr> <th></th> <th>Buji başlığı rengi</th> </tr> </thead> <tbody> <tr> <td>-B</td> <td>Mavi</td> </tr> <tr> <td>-G</td> <td>Yeşil</td> </tr> <tr> <td>-R</td> <td>Kırmızı</td> </tr> <tr> <td>-Y</td> <td>Sarı</td> </tr> <tr> <td>Boş</td> <td>Siyah</td> </tr> </tbody> </table>		Buji başlığı rengi	-B	Mavi	-G	Yeşil	-R	Kırmızı	-Y	Sarı	Boş	Siyah	<table border="1"> <thead> <tr> <th></th> <th>Buji soketi</th> </tr> </thead> <tbody> <tr> <td>E</td> <td>Somunlu soket yada sabit başlıklar için</td> </tr> <tr> <td>F</td> <td>Vida dişli soketliler için</td> </tr> </tbody> </table>		Buji soketi	E	Somunlu soket yada sabit başlıklar için	F	Vida dişli soketliler için	<table border="1"> <thead> <tr> <th></th> <th>Aksesuar</th> </tr> </thead> <tbody> <tr> <td>A, B, D ... ve -1, -2, -3 ...</td> <td>Özel tasarım</td> </tr> <tr> <td>C</td> <td>Kablo ile</td> </tr> <tr> <td>F</td> <td>5mm çaplı kablolar için</td> </tr> <tr> <td>G</td> <td>Kauçuk rondelalı</td> </tr> <tr> <td>H</td> <td>Kompact tip</td> </tr> <tr> <td>K</td> <td>Silikon su geçirmez kılıf ile</td> </tr> <tr> <td>L</td> <td>Endükleiyici dirençli tip</td> </tr> <tr> <td>M</td> <td>Kauçuk kılıflı</td> </tr> <tr> <td>P</td> <td>Özel su geçirmez kılıf ile</td> </tr> <tr> <td>W</td> <td>Çift bağlantı yaylı</td> </tr> <tr> <td>Y</td> <td>Kulplu</td> </tr> <tr> <td>Z</td> <td>Özel şekil</td> </tr> </tbody> </table>		Aksesuar	A, B, D ... ve -1, -2, -3 ...	Özel tasarım	C	Kablo ile	F	5mm çaplı kablolar için	G	Kauçuk rondelalı	H	Kompact tip	K	Silikon su geçirmez kılıf ile	L	Endükleiyici dirençli tip	M	Kauçuk kılıflı	P	Özel su geçirmez kılıf ile	W	Çift bağlantı yaylı	Y	Kulplu	Z	Özel şekil	<table border="1"> <thead> <tr> <th></th> <th>Buji vida dişi ölçüsü</th> </tr> </thead> <tbody> <tr> <td>B</td> <td>14mm vida dişi</td> </tr> <tr> <td>C</td> <td>Sadece CM-6 için 10mm vida dişi</td> </tr> <tr> <td>D</td> <td>Ø 10 & 12 mm vida dişi</td> </tr> <tr> <td>F</td> <td>Ø 9 mm</td> </tr> <tr> <td>Z</td> <td>Ø 10, 12 & 14 mm vida dişi</td> </tr> </tbody> </table>		Buji vida dişi ölçüsü	B	14mm vida dişi	C	Sadece CM-6 için 10mm vida dişi	D	Ø 10 & 12 mm vida dişi	F	Ø 9 mm	Z	Ø 10, 12 & 14 mm vida dişi
	Dış görünüm																																																																																				
L	90° dirsek tip																																																																																				
S	Düz tip																																																																																				
T	T tip																																																																																				
V	120° dirsek tip (uzun)																																																																																				
X	102° dirsek tip																																																																																				
Y	dirsek tip (kısa)																																																																																				
	Direnç																																																																																				
Boş	/																																																																																				
01	1 k Ω																																																																																				
05	5 k Ω																																																																																				
10	10 k Ω																																																																																				
	Buji başlığı rengi																																																																																				
-B	Mavi																																																																																				
-G	Yeşil																																																																																				
-R	Kırmızı																																																																																				
-Y	Sarı																																																																																				
Boş	Siyah																																																																																				
	Buji soketi																																																																																				
E	Somunlu soket yada sabit başlıklar için																																																																																				
F	Vida dişli soketliler için																																																																																				
	Aksesuar																																																																																				
A, B, D ... ve -1, -2, -3 ...	Özel tasarım																																																																																				
C	Kablo ile																																																																																				
F	5mm çaplı kablolar için																																																																																				
G	Kauçuk rondelalı																																																																																				
H	Kompact tip																																																																																				
K	Silikon su geçirmez kılıf ile																																																																																				
L	Endükleiyici dirençli tip																																																																																				
M	Kauçuk kılıflı																																																																																				
P	Özel su geçirmez kılıf ile																																																																																				
W	Çift bağlantı yaylı																																																																																				
Y	Kulplu																																																																																				
Z	Özel şekil																																																																																				
	Buji vida dişi ölçüsü																																																																																				
B	14mm vida dişi																																																																																				
C	Sadece CM-6 için 10mm vida dişi																																																																																				
D	Ø 10 & 12 mm vida dişi																																																																																				
F	Ø 9 mm																																																																																				
Z	Ø 10, 12 & 14 mm vida dişi																																																																																				

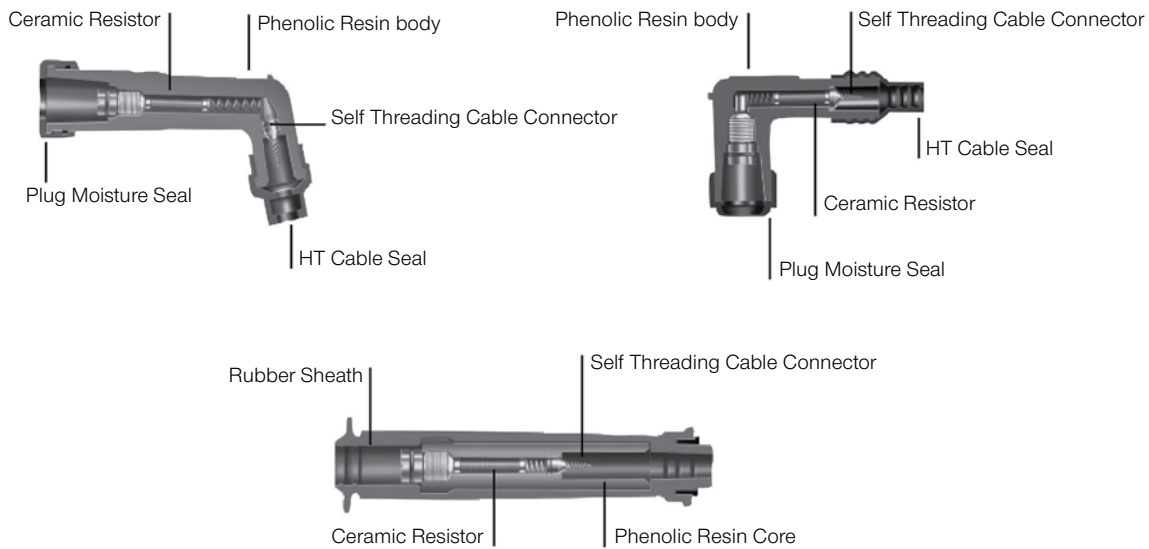
FAJKI DO ŚWIEC ZAPŁONOWYCH



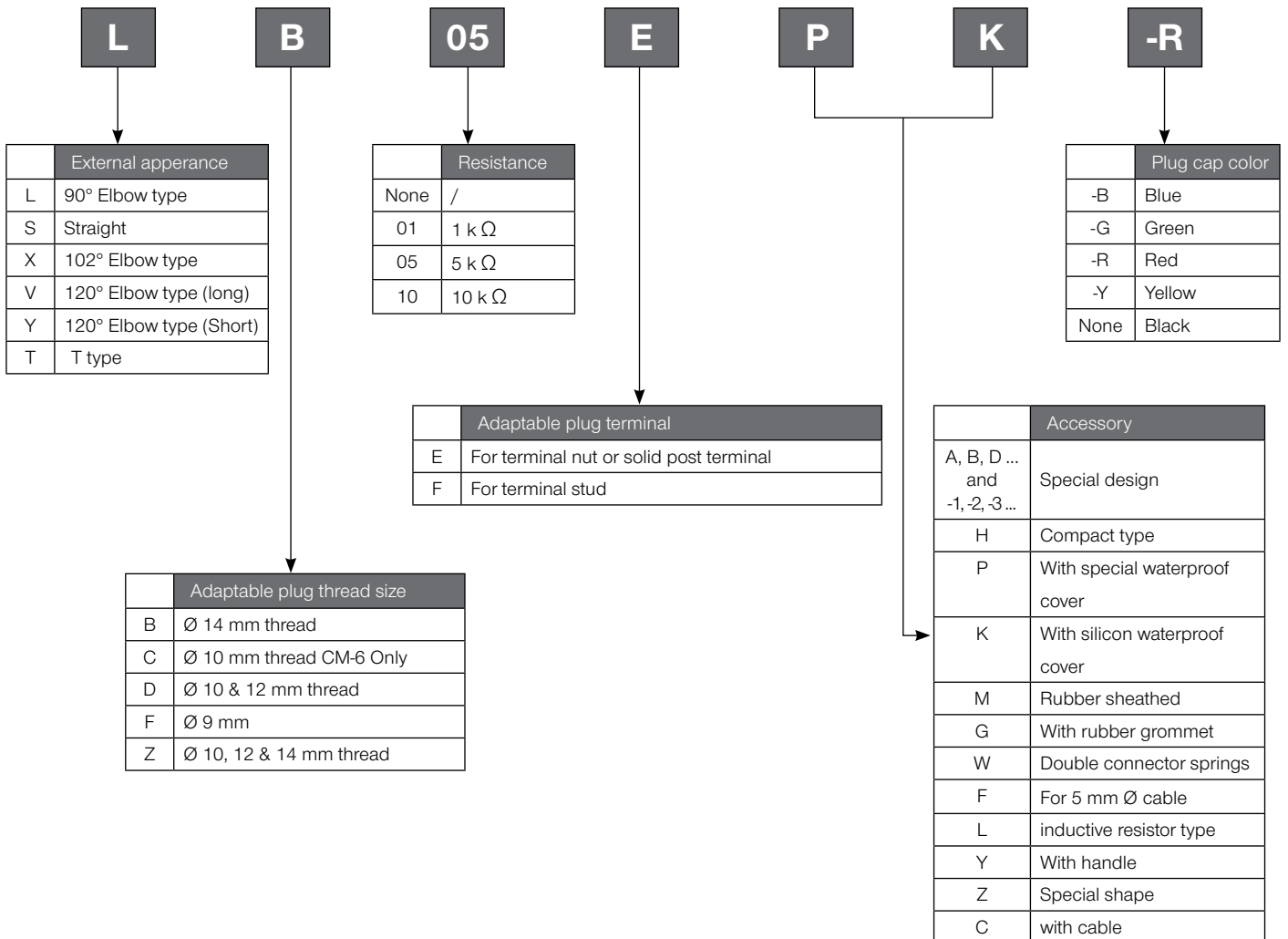
OZNAKOWANIE FAJEK DO ŚWIEC ZAPŁONOWYCH



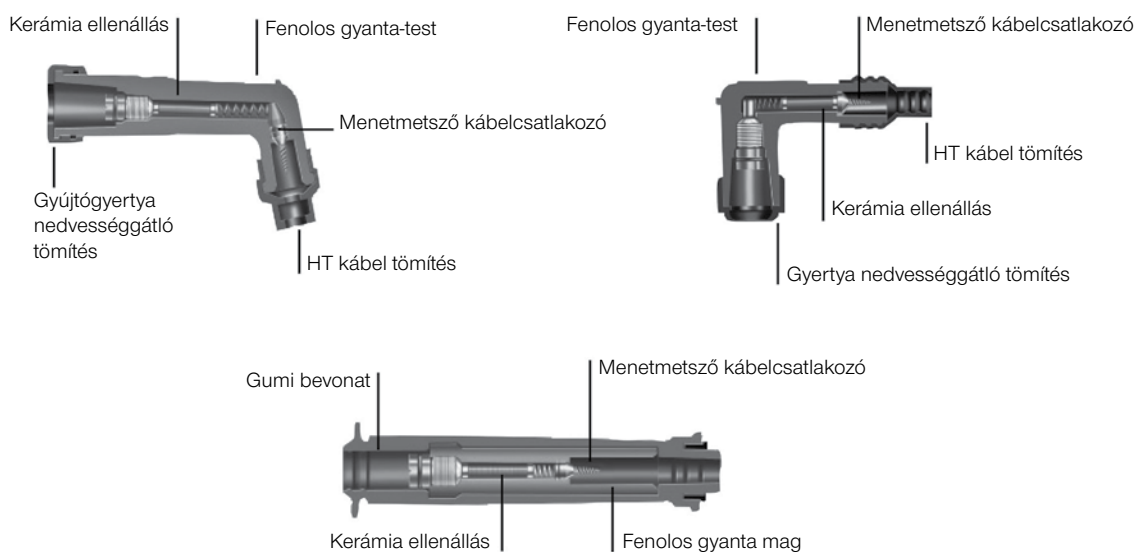
NGK RESISTOR PLUG COVERS



COVER SYMBOLS EXPLANATION CHART



NGK ELLENÁLLÁS GYERTYAPIPÁK



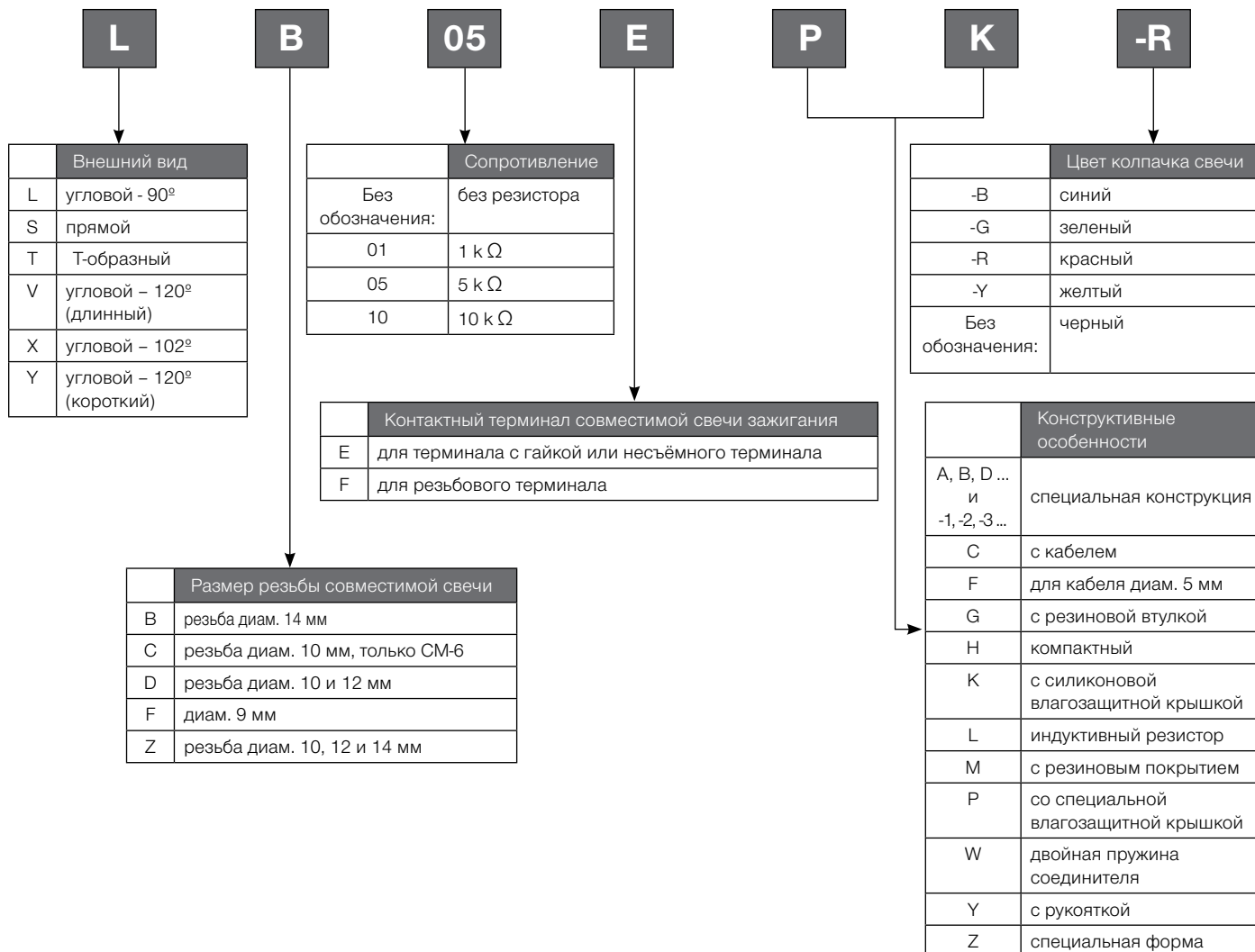
TÁBLÁZAT SZIGNIFIKANCIA KÓD

L	B	05	E	P	K	-R																																																																													
<table border="1"> <thead> <tr> <th></th> <th>Küls megjelenés</th> </tr> </thead> <tbody> <tr> <td>L</td> <td>90°-os könyök típus</td> </tr> <tr> <td>S</td> <td>Egyenes</td> </tr> <tr> <td>T</td> <td>T típus</td> </tr> <tr> <td>V</td> <td>120°-os könyök típus (hosszú)</td> </tr> <tr> <td>X</td> <td>102°-os könyök típus</td> </tr> <tr> <td>Y</td> <td>120°-os könyök típus (rövid)</td> </tr> </tbody> </table>		Küls megjelenés	L	90°-os könyök típus	S	Egyenes	T	T típus	V	120°-os könyök típus (hosszú)	X	102°-os könyök típus	Y	120°-os könyök típus (rövid)	<table border="1"> <thead> <tr> <th></th> <th>Ellenállás</th> </tr> </thead> <tbody> <tr> <td>Egyik sem</td> <td>Nincs ellenállás</td> </tr> <tr> <td>01</td> <td>1 k Ω</td> </tr> <tr> <td>05</td> <td>5 k Ω</td> </tr> <tr> <td>10</td> <td>10 k Ω</td> </tr> </tbody> </table>		Ellenállás	Egyik sem	Nincs ellenállás	01	1 k Ω	05	5 k Ω	10	10 k Ω	<table border="1"> <thead> <tr> <th></th> <th>Csatlakozás</th> </tr> </thead> <tbody> <tr> <td>E</td> <td>Anyacsavarhoz vagy a tömör csatlakozóvéghez</td> </tr> <tr> <td>F</td> <td>Biztosítókapocshoz</td> </tr> </tbody> </table>		Csatlakozás	E	Anyacsavarhoz vagy a tömör csatlakozóvéghez	F	Biztosítókapocshoz	<table border="1"> <thead> <tr> <th></th> <th>Gyertyapípa színe</th> </tr> </thead> <tbody> <tr> <td>-B</td> <td>Kék</td> </tr> <tr> <td>-G</td> <td>Zöld</td> </tr> <tr> <td>-R</td> <td>Piros</td> </tr> <tr> <td>-Y</td> <td>Sárga</td> </tr> <tr> <td>Egyik sem</td> <td>Fekete</td> </tr> </tbody> </table>		Gyertyapípa színe	-B	Kék	-G	Zöld	-R	Piros	-Y	Sárga	Egyik sem	Fekete	<table border="1"> <thead> <tr> <th></th> <th>Accessory</th> </tr> </thead> <tbody> <tr> <td>A, B, D ... és -1, -2, -3 ...</td> <td>Speciális kialakítás</td> </tr> <tr> <td>C</td> <td>Kábelrel</td> </tr> <tr> <td>F</td> <td>5 mm-es Ø kábelhez</td> </tr> <tr> <td>G</td> <td>Gumitömlővel</td> </tr> <tr> <td>H</td> <td>Kompakt</td> </tr> <tr> <td>K</td> <td>Szilikon vízálló kupakkal</td> </tr> <tr> <td>L</td> <td>Induktív ellenállás típus</td> </tr> <tr> <td>M</td> <td>Gumitömítés</td> </tr> <tr> <td>P</td> <td>Speciális vízálló kupakkal</td> </tr> <tr> <td>W</td> <td>Dupla csatlakozó rugó</td> </tr> <tr> <td>Y</td> <td>Fogantyúval</td> </tr> <tr> <td>Z</td> <td>Különleges alak</td> </tr> </tbody> </table>		Accessory	A, B, D ... és -1, -2, -3 ...	Speciális kialakítás	C	Kábelrel	F	5 mm-es Ø kábelhez	G	Gumitömlővel	H	Kompakt	K	Szilikon vízálló kupakkal	L	Induktív ellenállás típus	M	Gumitömítés	P	Speciális vízálló kupakkal	W	Dupla csatlakozó rugó	Y	Fogantyúval	Z	Különleges alak	<table border="1"> <thead> <tr> <th></th> <th>Csatlakoztatható gyertyamenet méret</th> </tr> </thead> <tbody> <tr> <td>B</td> <td>Ø 14 mm-es menet</td> </tr> <tr> <td>C</td> <td>Ø 10 mm-es menet Csak CM-6</td> </tr> <tr> <td>D</td> <td>Ø 10 és 12 mm-es menetek</td> </tr> <tr> <td>F</td> <td>Ø 9 mm</td> </tr> </tbody> </table>		Csatlakoztatható gyertyamenet méret	B	Ø 14 mm-es menet	C	Ø 10 mm-es menet Csak CM-6	D	Ø 10 és 12 mm-es menetek	F	Ø 9 mm
	Küls megjelenés																																																																																		
L	90°-os könyök típus																																																																																		
S	Egyenes																																																																																		
T	T típus																																																																																		
V	120°-os könyök típus (hosszú)																																																																																		
X	102°-os könyök típus																																																																																		
Y	120°-os könyök típus (rövid)																																																																																		
	Ellenállás																																																																																		
Egyik sem	Nincs ellenállás																																																																																		
01	1 k Ω																																																																																		
05	5 k Ω																																																																																		
10	10 k Ω																																																																																		
	Csatlakozás																																																																																		
E	Anyacsavarhoz vagy a tömör csatlakozóvéghez																																																																																		
F	Biztosítókapocshoz																																																																																		
	Gyertyapípa színe																																																																																		
-B	Kék																																																																																		
-G	Zöld																																																																																		
-R	Piros																																																																																		
-Y	Sárga																																																																																		
Egyik sem	Fekete																																																																																		
	Accessory																																																																																		
A, B, D ... és -1, -2, -3 ...	Speciális kialakítás																																																																																		
C	Kábelrel																																																																																		
F	5 mm-es Ø kábelhez																																																																																		
G	Gumitömlővel																																																																																		
H	Kompakt																																																																																		
K	Szilikon vízálló kupakkal																																																																																		
L	Induktív ellenállás típus																																																																																		
M	Gumitömítés																																																																																		
P	Speciális vízálló kupakkal																																																																																		
W	Dupla csatlakozó rugó																																																																																		
Y	Fogantyúval																																																																																		
Z	Különleges alak																																																																																		
	Csatlakoztatható gyertyamenet méret																																																																																		
B	Ø 14 mm-es menet																																																																																		
C	Ø 10 mm-es menet Csak CM-6																																																																																		
D	Ø 10 és 12 mm-es menetek																																																																																		
F	Ø 9 mm																																																																																		

КОЛПАЧКИ ДЛЯ СВЕЧЕЙ ЗАЖИГАНИЯ С РЕЗИСТОРОМ NGK

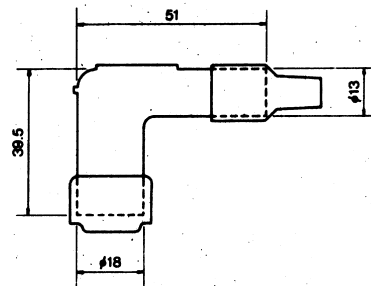


РАСШИФРОВКА МАРКИРОВКИ



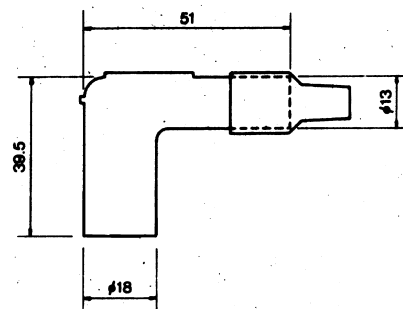
Basic	Type	Stock-No.	Colour	R [kΩ]	Ø [mm]	Terminal
L	L05EL	8323	black	5	14	
	LB - E	8302	black	/		
LB	LB01E	8011	black	1		
	LB05E - R	8898	red	5		
	LB05E	8031	black	5		
	LB10E	8349	black	10		
	LB - F	8309	black	/		
	LB01F	8330	black	1		
	LB01FF	8331	black	1		
	LB05F	8051	black	5		
	LB05F - R	8854	red	5		
	LB05FF	30326	black	5		
	LB10F	8358	black	10		
LB10FF	8359	black	10			
LD	LD05E	6902	black	5	10-12	
	LD05EH	92248	black	5		
	LD - F	8311	black	/		
	LD01F	8362	black	1		
	LD05F - R	8231	red	5		
	LD05F	8060	black	5		
	LD10F	8997	black	10		

Phenolic Resin




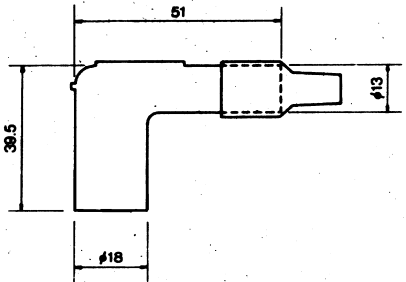





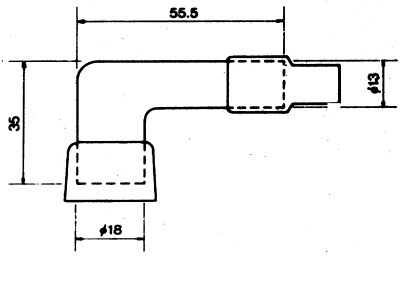
Basic	Type	Stock-No.	Colour	R [kΩ]	Ø [mm]	Terminal
LB	LB01EP	8328	black	1	14	
	LB05EP	8020	black	5		
	LB - EPK	8304	black	/		
	LB05EPK	8342	black	5		
	LB01FP	8088	black	1		
	LB05FP	8030	black	5		
LD	LD05FP	8070	black	5	10 - 12	




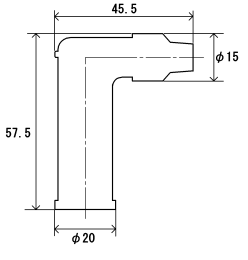
Phenolic Resin





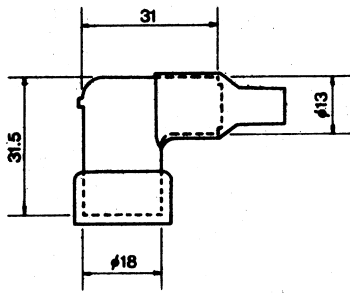
Basic	Type	Stock-No.	Colour	R [kΩ]	 Ø [mm]	Terminal
LZ	LZ05F	8368	black	5	10-12-14	
Phenolic Resin						
						



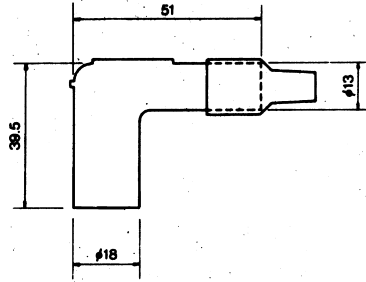
Basic	Type	Stock-No.	Colour	R [kΩ]	 Ø [mm]	Terminal
LB	LB05FG	8346	black	5	14	
Phenolic Resin						
						
						

Basic	Type	Stock-No.	Colour	R [kΩ]	 Ø [mm]	Terminal
LB	LB05EZ	8744	black	5	14	
Phenolic Resin						
						
						




Basic	Type	Stock-No.	Colour	R [kΩ]	 Ø [mm]	Terminal
L	L05EA	6667	black	5		
Phenolic Resin						
						
						

Basic	Type	Stock-No.	Colour	R [kΩ]	Ø [mm]	Terminal
L	L - EH	8301	black	/		
Phenolic Resin						
						

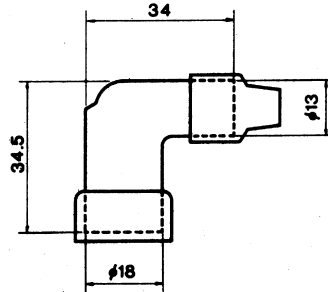
Basic	Type	Stock-No.	Colour	R [kΩ]	Ø [mm]	Terminal
LB	LB01EH	8326	black	1	14	
	LB01EHF	8327	black	1		
	LB05EH	8334	black	5		
	LB05EHF	8336	black	5		
	LB10EH	8351	black	10		
	LB10EHF	8055	black	10		
	LB - FH	8310	black	/		
LD	LD - FH	8313	black	/	10-12	
Phenolic Resin						
 						

Basic	Type	Stock-No.	Colour	R [kΩ]	Ø [mm]	Terminal
LB	LB10EHAK	8719	black	10	14	
Phenolic Resin						
 						



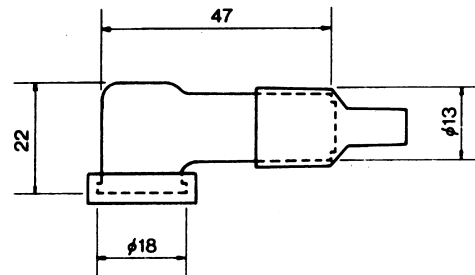
Basic	Type	Stock-No.	Colour	R [kΩ]	 Ø [mm]	Terminal
LZ	LZEH	8760	black	/	10-12-14	
	LZFH	8710	black	/		



Phenolic Resin



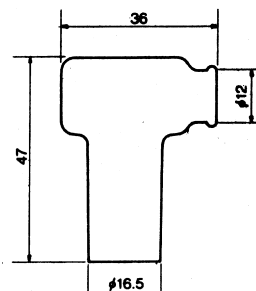
Basic	Type	Stock-No.	Colour	R [kΩ]	 Ø [mm]	Terminal
LC	LC05EFK	8050	black	5	CM6	



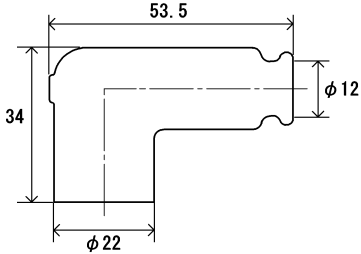
Phenolic Resin



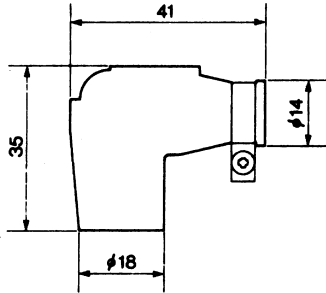






Basic	Type	Stock-No.	Colour	R [kΩ]	 Ø [mm]	Terminal
LB	LBO5EMH	8338	black	5	14	
	LBO5EMH-R	8160	red	5		


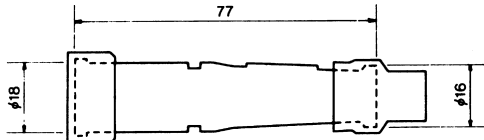
Rubber sheathed





Basic	Type	Stock-No.	Colour	R [kΩ]	Ø [mm]	Terminal
LB	LB05EMHA	8549	red	5	14	
<p>Rubber sheated</p>  						

Basic	Type	Stock-No.	Colour	R [kΩ]	Ø [mm]	Terminal
LB	LBER - B	8308	blue	/	14	
<p>Silikon Rubber</p>  						




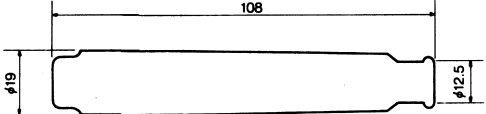
Basic	Type	Stock-No.	Colour	R [kΩ]	Ø [mm]	Terminal	
SB	SB01E	8370	black	1	14		
	SB05E	8374	black	5			
	SB10E	8803	black	10			
	SB01F	8372	black	1		10-12	
	SB05F	8080	black	5			
	SB05F - R	8567	red	5			
	SB10F	8387	black	10			
SD	SD05E	6894	black	5	10-12-14		
	SD01F	8388	black	1			
	SD05F	8022	black	5			
	SD05F - R	8238	red	5			
	SD10F	8394	black	10			
SZ	SZ05F	8396	black	5			

<p>Phenolic Resin</p>  						
--	--	--	--	--	--	--






Basic	Type	Stock-No.	Colour	R [kΩ]	 Ø [mm]	Terminal
SB	SB05FP	8386	black	5	14	
SD	SD05FP	8325	black	5	10 - 12	
Phenolic Resin						
						

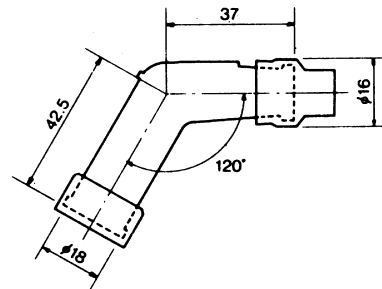
Basic	Type	Stock-No.	Colour	R [kΩ]	 Ø [mm]	Terminal
SD	SD05EG	5818	black	5	10-12	
SF	SF05EGK	95554	black	5	9	
Phenolic Resin						
						

Basic	Type	Stock-No.	Colour	R [kΩ]	 Ø [mm]	Terminal
SD	SD05FM	8392	black	5	10-12	
	SD05FM - R	8673	red	5		
	SD05EM	92549	black	5		
Rubber sheathed						
 						

Basic	Type	Stock-No.	Colour	R [kΩ]	 Ø [mm]	Terminal
SD	SD05FGA	8683	black	5	10-12	
Phenolic Resin						
						
Application: Honda VT 600, XL 600						

Basic	Type	Stock-No.	Colour	R [kΩ]	Ø [mm]	Terminal
VB	VB01E	8405	black	1	14	
	VB05E	8408	black	5		
	VB - F	8913	black	/		
	VB01F	8406	black	1		
	VB05F	8032	black	5		
	VB05F - R	8759	red	5		
	VB10F	8414	black	10		
VD	VD01F	8415	black	1	10-12	
	VD05F	8052	black	5		
	VD05F - R	8376	red	5		
	VD10F	8430	black	10		

Phenolic Resin



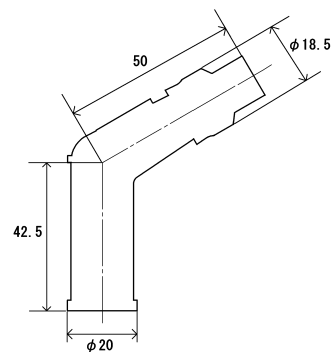
Basic	Type	Stock-No.	Colour	R [kΩ]	Ø [mm]	Terminal
VB	VB05FP	8413	black	5	14	

Phenolic Resin




Basic	Type	Stock-No.	Colour	R [kΩ]	Ø [mm]	Terminal
V	V05E	6665	black	5		


Phenolic Resin




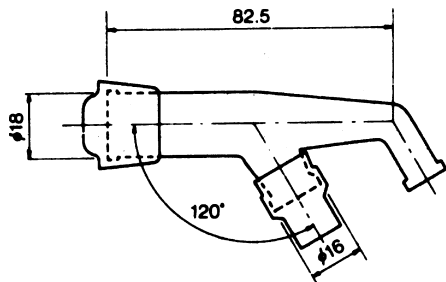
Basic	Type	Stock-No.	Colour	R [kΩ]	Ø [mm]	Terminal
VD	VD05EG	5817	black	5	10-12	
VF	VF05EGAK	92755	black	5	9	


Phenolic Resin




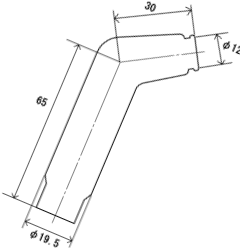
Basic	Type	Stock-No.	Colour	R [kΩ]	Ø [mm]	Terminal
VB	VB05EYK	8411	black	5	14	



Phenolic Resin


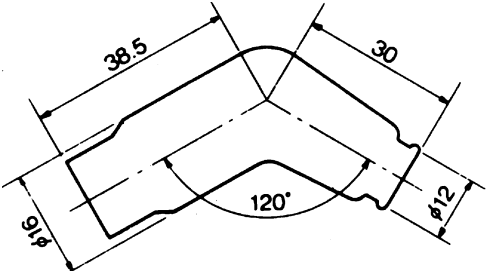
Basic	Type	Stock-No.	Colour	R [kΩ]	Ø [mm]	Terminal
VD	VD05EM	8422	black	5	10-12	
VF	VF05EMK	92648	black	5	9	



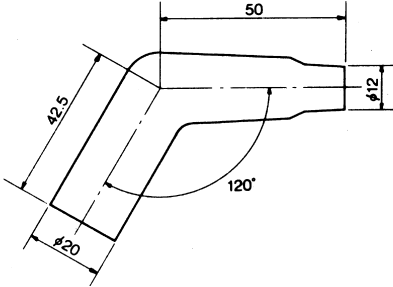
Rubber sheathed




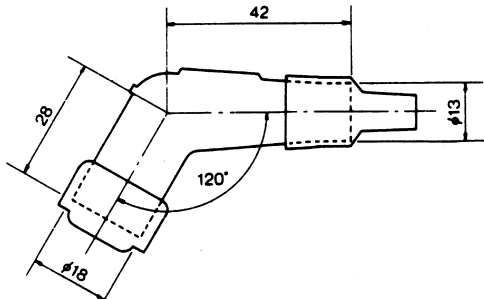







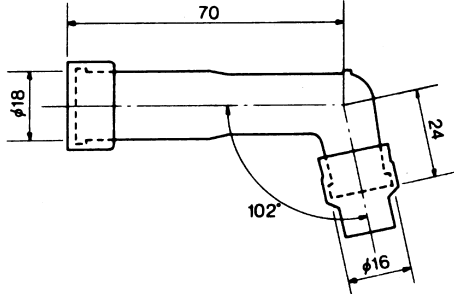
Basic	Type	Stock-No.	Colour	R [kΩ]	Ø [mm]	Terminal
VD	VD05EMH	7744	black	5	10-12	
	VD05FMH	8425	black	5		

Rubber sheathed






Basic	Type	Stock-No.	Colour	R [kΩ]	Ø [mm]	Terminal
VD	VD05FML	8427	black	5	10-12	
<p>Rubber sheathed</p>  						

Basic	Type	Stock-No.	Colour	R [kΩ]	Ø [mm]	Terminal
YB	YB01F	8446	black	1	14	
	YB05F	8082	black	5		
	YB05F	8162	red	5		
	YB10F	8449	black	10		
YD	YD01F	8450	black	1	10-12	
	YD05F	8454	black	5		
	YD05F	8453	red	5		
<p>Phenolic Resin</p>  						

Basic	Type	Stock-No.	Colour	R [kΩ]	Ø [mm]	Terminal
XB	XB01F	8431	black	1	14	
	XB05F	8062	black	5		
	XB05F - R	8592	red	5		
	XB10F	8436	black	10		
XD	XD01F	8439	black	1	10-12	
	XD05F	8072	black	5		
	XD05F - R	8768	red	5		
	XD10F	8442	black	10		
XZ	XZ01F	8443	black	1	10-12-14	
	XZ05F	8444	black	5		
<p>Phenolic Resin</p>  						



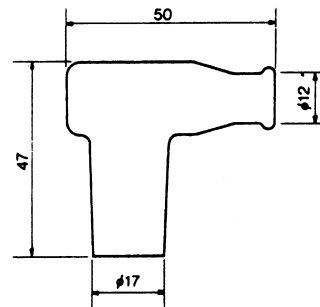
Basic	Type	Stock-No.	Colour	R [kΩ]	 Ø [mm]	Terminal
XB	XB05FP	8435	black	5	14	
XD	XD05FP	8641	black	5	10 - 12	



Phenolic Resin



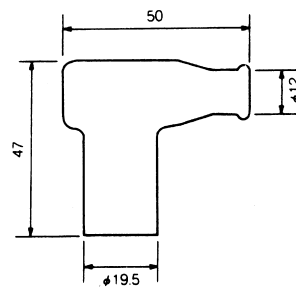
Basic	Type	Stock-No.	Colour	R [kΩ]	 Ø [mm]	Terminal
TB	TB05EM - R	8955	red	5	14	
	TB10EM - Y	8404	yellow	10		



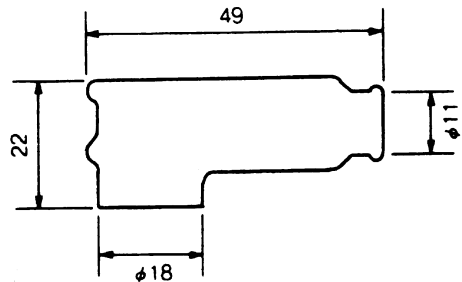
Rubber sheathed



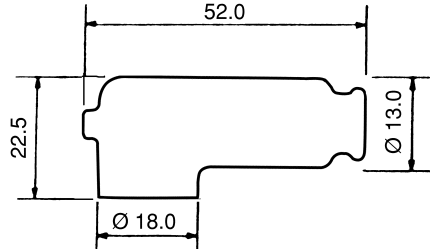




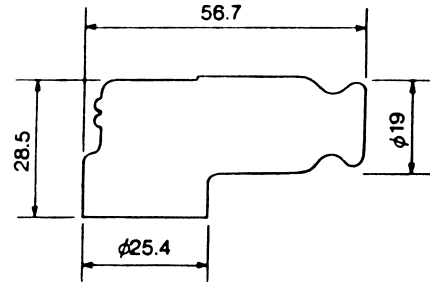
Basic	Type	Stock-No.	Colour	R [kΩ]	 Ø [mm]	Terminal
TB	TB05EMA	8636	black	5	14	



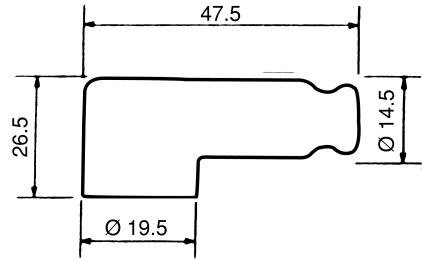
Rubber sheathed





Basic	Type	Stock-No.	Colour	R [kΩ]		Terminal
TB	TRS1225 - B	8787	blue	5	R6120 A/C/M R7282 A/C/M	
<p>Rubber sheathed</p>  						

Basic	Type	Stock-No.	Colour	R [kΩ]		Terminal
TB	TRS1233A - R	8929	red	5	R6120 A/C/M R7282 A/C/M	
	TRS1233B - Y	8897	yellow	5		
	TRS1233C - G	8546	green	5		
<p>Rubber sheathed</p>  						

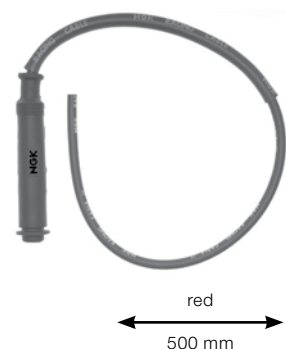
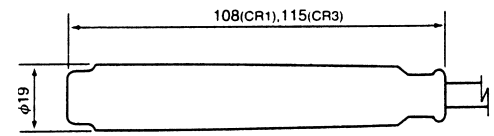
Basic	Type	Stock-No.	Colour	R [kΩ]		Terminal
TB	TRS1408F - B	8871	blue	5	R5300A R5300N	
<p>Rubber sheathed</p>  						

Basic	Type	Stock-No.	Colour	R [kΩ]		Terminal
TB	TRS1409 - R	8733	red	5	R5540F	
<p>Rubber sheathed</p>  						







Basic	Type	Stock-No.	Colour	R [kΩ]	Ø [mm]	Terminal
CR	CR1	8035	red	5	10-12-14	
	CR3	8089	red	5		

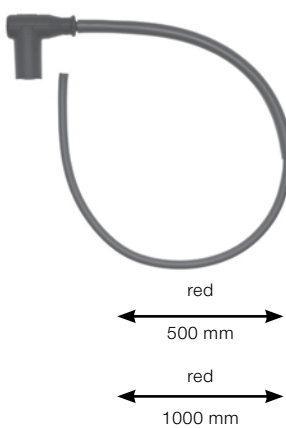
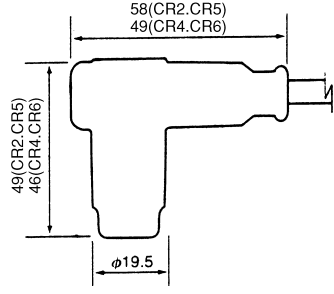
Rubber sheathed


CR1: SD05FM CR3: SD05EMK

Basic	Type	Stock-No.	Colour	R [kΩ]	Ø [mm]	Terminal
CR	CR2	8048	red	5	10-12-14	
	CR4	8054	red	5		
	CR5	8515	red	5		
	CR6	8736	red	5		

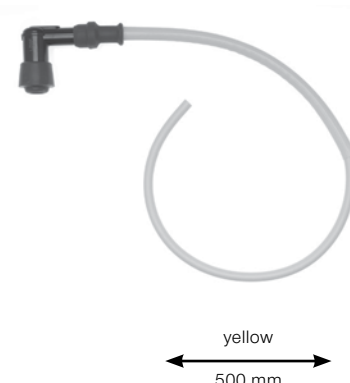
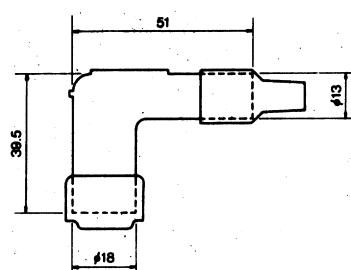
Rubber sheathed


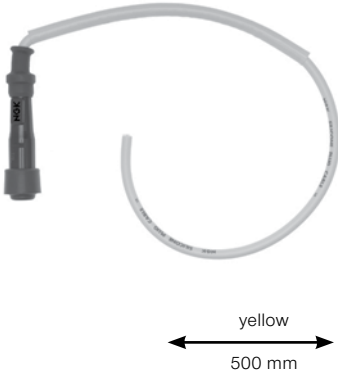
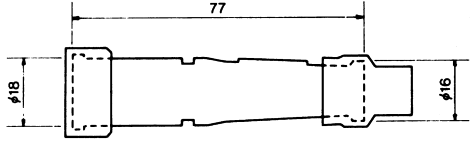
CR2: LZ05FM CR4: TB05EMA
CR5: LZ05FM CR6: TB05EMA


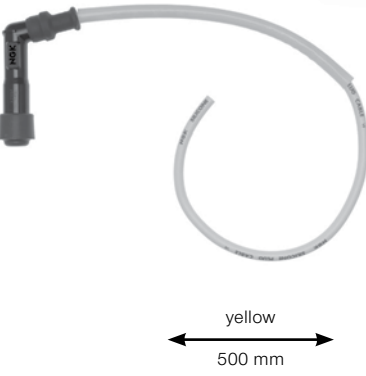
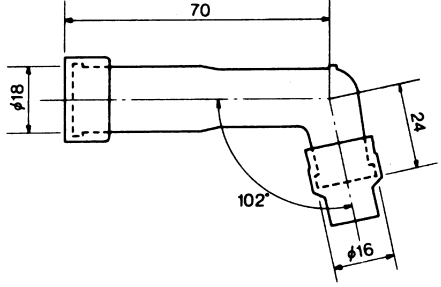
Basic	Type	Stock-No.	Colour	R [kΩ]	Ø [mm]	Terminal
	LY11	8718	red	5	10-12-14	



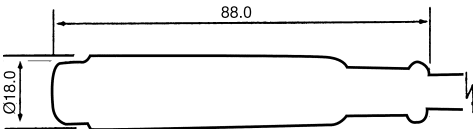
Phenolic Resin



LZ05F


Basic	Type	Stock-No.	Colour	R [kΩ]	Ø [mm]	Terminal
	SY11	8539	red	5	10-12-14	
Phenolic Resin   <p style="text-align: right;">SZ05F</p>						

Basic	Type	Stock-No.	Colour	R [kΩ]	Ø [mm]	Terminal
	XY11	8584	red	5	10-12-14	
Phenolic Resin   <p style="text-align: right;">XZ05F</p>						

Basic	Type	Stock-No.	Colour	R [kΩ]	Ø [mm]	Terminal
	SD05FMC	8393	black	5	10-12	
Rubber sheathed   <p style="text-align: right;">SD05FMC</p>						



Basic	Type	Stock-No.	Colour	R [kΩ]	Ø [mm]	Terminal
	RC-X140	5937	black	5	10-12	
<p>Phenolic Resin</p>  <p style="text-align: center;">black 350 mm</p> <p style="text-align: right;">LD05EAK</p>						

Basic	Type	Stock-No.	Colour	R [kΩ]	Ø [mm]	Terminal
	J-1	8739	black	/		
						



Stock No.

APRILIA

GL 50		50	1993-		LB05F	8051
LX 50		50	1993-		LB05F	8051
RS 50 Extrema		50	1993-		LB05F	8051
RS 50 Replica		50	1993-		LB05F	8051
Scarabeo 50 2T		50	1993-2003		LB05EPK	8342
Scarabeo 50 Street	TG	50	2005-		LB05EPK	8342
Scarabeo De Luxe	PF	50	1998-2003		LB05F	8051
Sportcity One 50 2T Street		50	2008-		LB05EPK	8342
Mojito Custom 125	PM010	125	2002-		LB05E-R	8898
Scarabeo 125	PCA00	125	1999-2009		V05E	6665
Scarabeo 125 GT	PCA00	125	2002-2007		V05E	6665
Scarabeo 125 i.e.	PCA00	125	2009-		V05E	6665
Sportcity 125	VBE00	125	-		LB05E-R	8898
Sportcity One 125	SG000	125	2008-		V05E	6665
Leonardo ST	MB000	150	2002-2006		LB05E-R	8898
Mojito 150		150	2003-2006		LB05E-R	8898
Scarabeo 200		200	2000-2009		V05E	6665
Scarabeo 200 i.e.	RBM	200	2009-		V05E	6665
Sportcity Cube 200		200	2008-		V05E	6665
Scarabeo 250	VRB00	250	2004-		V05E	6665
Scarabeo 300 Special		278	2009-		V05E	6665
Sportcity Cube 300	VBL00	278	2008-		V05E	6665
Scarabeo 500	RT00	500	2002-2005		V05E	6665

BETA

EVO 80		80	2008-		LB05EMHR	8160
EVO 80 JUNIOR		80	2008-		LB05EMHR	8160
EVO 250 4T		250	2008-		VD05EG	5817
EVO 300 4T		300	2008-		VD05EG	5817

CAGIVA

All		175	-		LB05F	8051
All		200	-		LB05F	8051
Ala Blu 350		350	-		LB05F	8051
Ala Verde 350		350	-		LB05F	8051
Lucky 350		350	-		LB05F	8051
W12		350	1994-		SD05FP	8325
W16		600	1994-		SB05F	8080

DAELIM

125 Daystar		125	2000-		XB01F	8431
VC 125	VC125F	125	1997-		XB01F	8431
VC 125 Advance		125	1995-		XB01F	8431
VS 125	VS125FK	125	1997-		XB01F	8431
VT 125 Evolution		125	1998-		XB01F	8431

GAS GAS

TT 125		125	-	LB05F/CR2	LB05F	8051
TT 200		200	-	LB05F/CR2	LB05F	8051
Cross 250		250	-	LB05F/CR2	LB05F	8051
TT 250		250	-	LB05F/CR2	LB05F	8051
TT 300		300	-	LB05F/CR2	LB05F	8051

GILERA

CB1 4V		50	-		LB05F	8051
---------------	--	----	---	--	-------	------





Stock No.

GILERA

Trial		50	-		LB05F	8051
125 5V Regolarità		125	-		LB05F	8051
125 SV Regolarità		125	-		LB05F	8051
Runner 200 VXR		200	-		V05E	6665
Runner ST 200	M46401	200	2008-		V05E	6665
Nexus 300	M35600	300	2009-		V05E	6665
Fuoco 500	M35200	500	2007-		V05E	6665
Nexus 500		500	2003-2004		V05E	6665
Nexus 500	M35100	500	2005-		V05E	6665
GP 800		840	2007-	VD05EMH + VD05EM	VD05EM	8422
GP 800		840	2007-	VD05EMH + VD05EM	VD05EMH	7744

HERCULES

Jogging		50	-		LB05F	8051
Lastboy		50	-		LB05F	8051
Optima 50		50	-		LB05F	8051
Prima 4		50	-		LB05F	8051
Prima 4LN,5LN		50	-		LB05F	8051
Prima 5		50	-		LB05F	8051
Prima 6		50	-		LB05F	8051
Prima G3		50	-		LB05F	8051
Prima GT,GX		50	-		LB05F	8051
Prima Presto		50	-		LB05F	8051
Prima Pronto		50	-		LB05F	8051
Prima S		50	-		LB05F	8051
Prima SL		50	-		LB05F	8051
Prima SX		50	-		LB05F	8051
K 100 X		100	-		LB05F	8051
175 GS		175	-		LB05F	8051
250 GS		250	-		LB05F	8051
350 GS		350	-		LB05F	8051

HONDA

Elite 50/S		50	-		LB05F	8051
Joker SRX50T	M55100	50	1997-		LB05F	8051
MB 50 F	AC01	50	-		LB05F	8051
NH 50 M		50	1993-		LB05F	8051
NT 50		50	-		LB05F	8051
PK 50 DX	AB25	50	1995-		LB05F	8051
SA 50	AF29	50	-		LB05F	8051
SFX 50		50	1995-		LB05F	8051
SFX 50		50	1996-		LB05F	8051
SGX 50 Sky		50	1997-		LB05F	8051
SH 50	AF40	50	1997-		LB05F	8051
SH 50 P		50	1993-1995		LB05F	8051
SH 50 T		50	1996-		LB05F	8051
SH 50 T	AF40	50	1997-		LB05F	8051
SJ 50 Bali		50	-		LB05F	8051
ST 50 C Dax	AB23	50	-		LD05F	8060
TLM 50		50	-	Constr. Code E	LB05EMHR	8160
XR 50		50	1993-2002		LD05F	8060
Z 50 R Monkey		50	1994-		LD05F	8060
CT 70		70	1992-		LD05F	8060





Stock No.

HONDA

ST 70		70	1994-		LD05F	8060
NS-1		75	1996-		LB05F	8051
XR 80 R	HE01	80	1992-1995		LB05F	8051
EZ 90		90	1993-		LB05F	8051
NH 90 M		90	1993-		LB05F	8051
SH 100 T		100	1996-		LB05F	8051
SJ 100 Bali		100	1996-		LB05F	8051
XR 100R		100	1992-		VD05F	8052
CG 110		110	-		LD05F	8060
CA 125 C Rebel	JC26	125	1997-		LD05F	8060
CA 125 Rebel	JC24	125	1995-1996	Constr. Code S>Y	LD05F	8060
CB 125		125	-		LD05F	8060
CB 125 Y		125	-		LD05F	8060
CG 125		125	-		LD05F	8060
CG 125	JC27	125	1998-1999		LD05FP	8070
CH 125		125	-		LD05F	8060
CH 125 P		125	-1993		LD05F	8060
CLR 125 Cityfly	JD18A/B	125	1998-		VD05FMH	8425
CM 125 C Custum		125	1994-		LD05F	8060
CR 125 R		125	-	LB05F/CR2	LB05F	8051
Italia 125		125	-		LD05F	8060
Lead 125	JF01	125	-	LB05F/CR2	LB05F	8051
MTX 125		125	-		LB05EMH-R	8160
MTX 125 R		125	-		LB05F	8051
MTX 125 R2		125	-		LB05F	8051
NSR 125 F		125	-		LB05F	8051
Spacy CH 125	JS03	125	1997-		LD05F	8060
XLR 125 R		125	1998-		VD05FMH	8425
XR 125		125	-		LD05F	8060
CB 250		250	1994-		XD05F-R	8768
CB 250	MC26	250	1996-1998		XD05F-R	8768
CBX 250		250	-		SD05FM-R	8673
CMX 250 C	MC32B	250	1997-		VD05F	8052
CMX 250 CT	MC13	250	1996-		VD05F	8052
CN 250 Fusion		250	-		VD05F	8052
XR 250 L	250 L	250	1992-		SD05F-R	8238
GB 500	PC16	500	1992-		SD05F-R	8238
XR 600 R	V	600	-		SD05FM-R	8673
FMX 650		650	2005-		SD05F-R	8238
NT 650		650	1998-2004		SD05FGA	8683
NTV 650		650	1998-2004		SD05FGA	8683
VT 600		650	1992-1999		SD05FGA	8683
VT 750		650	1997-2002		SD05FGA	8683
XL 600 Transalp		650	1993-2006		SD05FGA	8683
XL 650L		650	1994-		SD05F-R	8238
XL 650 Transalp		650	1994-		SD05F-R	8238
CB 750	RC42	750	1992-		SD05F-R	8238
NR 750	RC40	750	1993-		SD05F-R	8238
RVF	RC45	750	1994-		SD05F-R	8238
VF 750 C		750	1995-2000		SD05F-R	8238
VFR 750 F		750	1994-		XD05F-R	8768
VT 750 C/C2V	RC44	750	1997-		VD05F	8052





Stock No.

HONDA

VT 750 C/C2V	RC44	750	1997-	XD05F-R/VD05F	XD05F-R	8768
PC 800 Pacific Coast		800	1998-		SD05F-R	8238
CBR 900 RR	SC33	900	1996-		XD05F-R	8768
CB 1000 F	SC30	1000	1993-2000	SD05F-R(IN)XD05F-R(OUT)	SD05F-R	8238
CB 1000 F	SC30	1000	1993-2000	SD05F-R(IN)XD05F-R(OUT)	XD05F-R	8768
CBR 1000 F	SC24	1000	1995-2000		SD05F-R	8238
CBR 1000 F	SC24	1000	1995-2000	SD05F-R(IN)XD05F-R(OUT)	XD05F-R	8768

HUSABERG

FC 400		400	-		SD05F-R	8238
FE 400 E / S		400	-		SD05F-R	8238
FX 400 E		400	-1999		SD05F-R	8238
FC 501		500	1995-		SD05F-R	8238
FE 501 E / S		500	1993-		SD05F-R	8238
FX 501 E		500	-		SD05F-R	8238
FC 600		600	1992-1999		SD05F-R	8238
FE 600 E / S		600	1992-		SD05F-R	8238
FX 600 E		600	-		SD05F-R	8238

HUSQVARNA

SMR 125		125	2011-		SD05EM	92549
SM S4 125		125	2011-		SD05EM	92549
CR 250		250	1992-1992	LB05F/CR2	LB05F	8051
CR 250		250	2001-	LB05F/CR2	LB05F	8051
WR 250		250	1992-1995	LB05F/CR2	LB05F	8051
WR 250		250	2001-	LB05F/CR2	LB05F	8051
TE 410	2AA	400	1996-2000		SD05FP	8325
TE 410		400	2001-		SD05FP	8325
SM R 510		510	2008-		SD05EM	92549
SM R 510		510	2009-		SD05EM	92549
SM R 510		510	2010-		SD05EM	92549
SM 570 R		570	2001-		SD05FP	8325
TC 570		576	2001-		SD05FP	8325
TE 570		576	2001-		SD05FP	8325
SM 610		610	2007-		SD05EM	92549
SM 610		610	2008-		SD05EM	92549
SM 610		610	2009-		SD05EM	92549
SM 610 E		610	1998-		SD05FP	8325
TE/TC 610 E		610	1998-		SD05FP	8325
SM S 630		630	2010-		SD05EM	92549
SM S 630		630	2011-		SD05EM	92549

ITALJET

Dragster 50		50	1996-1997		LB10F	8358
Dragster 50		50	1997-		LB10F	8358
Fastboy		50	1998-		LB05F	8051
Formula 50		50	1995-		LB05F	8051
Formula 50		50	1998-	Air	LB05F	8051
Formula 50		50	1998-	Water fluid	LB05F	8051
Torpedo 25		50	1997-		LB10F	8358
Dragster 125		125	1997-1997		LB05F	8051
Formula 125		125	1997-1998		LB05F	8051





Stock No.

ITALJET

Formula 125		125	1997-1998		LB05F	8051
Formula 125		125	1998-		LB05F	8051

KAWASAKI

AR 50		50	1993-		LB05F	8051
KMX 50	KSR-I	50	1993-		LB05F	8051
KX 60		60	-1992		LB05F	8051
KX 60		60	1993-		LB05F	8051
KMX 80	KSR-2	80	1993-		LB05F	8051
KX 80	KX80S7	80	1997-		LBER-B	8308
KX 80	KX80V7	80	1997-		LBER-B	8308
KX 80 /80-2		80	1992-		LBER-B	8308
KE 100		100	1993-		LB05F	8051
KDX 125 SR		125	-	LB05F/CR2	LB05F	8051
KH 125		125	1993-		LB05F	8051
KX 125	KX125K4	125	1997-		LB05EMH-R	8160
KDX 200		200	1993-1994		LBER-B	8308
KDX 200 H		200	1995-2006	Constr. Code 1>11 / 6F	LB05EMH-R	8160
BJ 250 A Estrella		250	1993-1996		LD05F	8060
BJ 250 C Estrella		250	1997-		LD05F	8060
KLX 250	LX250E	250	1993-		XD05F-R	8768
KR-1R		250	-		LB05F	8051
KR-1S		250	-		LB05F	8051
LX 250		250	-		LB05F	8051
Z 250		250	-		LB05F	8051
Z 250 Belt Drive		250	-		LD05F	8060
Z 250 T		250	-		LD05F	8060
ZR 250 (Balius)		250	1993-		SD05F-R	8238
KAF 300 MULE 500 A&B	UV	300	1992-1996		LB05F	8051
KLE 400		400	1993-1993		XD05F-R	8768
LTD 400		400	-		LD05F	8060
ZL 400 Eliminator 400SE		400	1993-		LD05F	8060
ZR 400-C Zephyr		400	1993-		LD05F	8060
ZR 400-D Xanthus		400	1993-		LD05F	8060
ZX 400	Z 400-F2	400	1993-		LD05F	8060
EX 500		500	1993-		XB05F	8062
KX 500		500	1993-		LBER-B	8308
ZL 600 B	ZL600B	600	1995-	Constr. Code 1/2	XD05F-R	8768
KLR 650	KL650C	650	1995-	Constr. Code 1/2	XD05F-R	8768
KLX 650	LX650C	650	1993-		SD05FM-R	8673
KLX 650 R	LX650A	650	1993-1996	Constr. Code 1/2	SD05FM-R	8673
KLX 650 R		650	1998-		SD05FM-R	8673
ZR 750 D1/2 Zephyr		750	1996-2000		LD05FP	8070
ZX 750 J		750	-		LB05FP	8030
ZXR 750 R	ZX750K/ZX750M	750	1993-		XD05F-R	8768
GPZ 900 R		900	-	XD05F-R(IN) LD05F(OUT)	LD05F	8060
GPZ 900 R		900	-	XD05F-R(IN) LD05F(OUT)	XD05F-R	8768
GPZ 900 R		900	-	XD05F-R(IN) LD05F(OUT)	XD05F-R	8768
KZ 1000 Police		1000	1993-	XB05F(IN) LB05FP(OUT)	LB05FP	8030
KZ 1000 Police		1000	1993-	XB05F(IN) LB05FP(OUT)	XB05F	8062
Z 1000 ES		1000	-		LB05F	8051





Stock No.

KAWASAKI

GPZ 1100		1100	-		XB05F(IN)YB05F(OUT)	XB05F	8062
GPZ 1100		1100	-			YB05F	8082
GPZ 1100	ZXT10E	1100	1995-		XB05F(IN)YB05F(OUT)	XB05F	8062
GPZ 1100	ZXT10E	1100	1995-			YB05F	8082
GPZ 1100 ABS	ZXT10E	1100	1997-		XB05F(IN)YB05F(OUT)	XB05F	8062
GPZ 1100 ABS	ZXT10E	1100	1997-			YB05F	8082
Zephyr 1100	ZRT10	1100	1996-			SD05FM-R	8673
ZRX 1100	ZRT10C	1100	1997-2000			SD05FM-R	8673
VN-15 1500 A / B & SE / C/ D2		1500	-		XD05F(IN) LD05FP(OUT)	LD05FP	8070
VN-15 1500 A / B & SE / C/ D2		1500	-		SB05F(IN)YB05F(OUT)	SB05F	8080
VN-15 1500 A / B & SE / C/ D2		1500	-		XD05F(IN) LD05FP(OUT)	XD05F	8072

KTM

50 GXE		50	-			LB05F	8051
50 MLS		50	-			LB05F	8051
50 MMS		50	-			LB05F	8051
50 RSL		50	-			LB05F	8051
50 Senior		50	2001-			LB05EMH-R	8160
50 Senior		50	2003-			LB05EMH-R	8160
50 SX		50	2008-2009			LD05EH	92248
50 SX		50	2009-			LD05EH	92248
50 SX		50	2010-			LD05EH	92248
50 SX		50	2011-			LD05EH	92248
50 SX		50	2012-			LD05EH	92248
50 SX		50	2013-			LD05EH	92248
50 SX		50	2014-			LD05EH	92248
50 SX		50	2015-			LD05EH	92248
50 SX		50	2016-			LD05EH	92248
50 SX Junior		50	2009-			LD05EH	92248
50 SX Mini		50	2009-			LD05EH	92248
50 SX Mini		50	2010-			LD05EH	92248
50 SX Mini		50	2011-			LD05EH	92248
50 SX Mini		50	2012-			LD05EH	92248
50 SX Mini		50	2013-			LD05EH	92248
50 SX Mini		50	2014-			LD05EH	92248
50 SX Mini		50	2015-			LD05EH	92248
50 SX Mini		50	2016-			LD05EH	92248
50 SX Pro Junior LC		50	2003-	BETA Water fluid		LB05EMH-R	8160
50 SX Pro Senior LC		50	2003-	Water fluid		LB05EMH-R	8160
50 SXS		50	2011-			LD05EH	92248
50 SXS		50	2012-			LD05EH	92248
50 SXS		50	2013-			LD05EH	92248
Bora 50		50	-			LB05F	8051
Chrono 50		50	-			LB05F	8051
Crazy		50	-			LB05F	8051
Foxi		50	-			LB05F	8051
Foxi		50	-			LB05F	8051
Go 50		50	-			LB05F	8051
K 50		50	-			LB05F	8051
Postmofa		50	-			LB05F	8051
SM 25		50	-			LB05F	8051
Squadra		50	-			LB05F	8051





Stock No.

KTM

65 SX		65	1998-2000		LB05EMHR	8160
65 SX		65	1998-2000		LD05EH	92248
65 SX		65	2003-2009	BETA	LB05EMHR	8160
65 SX		65	2009-		LD05EH	92248
65 SX		65	2010-		LD05EH	92248
65 SX		65	2011-		LD05EH	92248
65 SX		65	2012-		LD05EH	92248
65 SX		65	2013-		LD05EH	92248
65 SX		65	2014-		LD05EH	92248
65 SX		65	2015-		LD05EH	92248
65 SX		65	2016-		LD05EH	92248
65 SXS		65	2012-		LD05EH	92248
65 SXS		65	2013-		LD05EH	92248
65 XC		65	2009-		LD05EH	92248
80 Chopper		80	-		LB05F	8051
80 Enduro		80	-		LB05F	8051
85 SX		85	2004-2007		TB05EMA	8636
105 SX		105	2004-		TB05EMA	8636
125 EGS		125	1993-		LB05EMHR	8160
125 EGS		125	1998-		LB05EMHR	8160
125 EGS		125	1999-		LB05EMHR	8160
125 Enduro		125	-		LB05F	8051
125 EXC		125	1993-1995		LB05EMHR	8160
125 EXC		125	1996-1997		LB05EMHR	8160
125 EXC		125	1997-1998		LB05EMHR	8160
125 EXC		125	1998-1999		LB05EMHR	8160
125 EXC		125	1999-2000		LB05EMHR	8160
125 EXC		125	2001-2001		LB05EMHR	8160
125 EXE		125	1999-		LB05EMHR	8160
125 LC 2		125	1996-2000	Long Thread	LB05EMHR	8160
125 Sting		125	1998-		LB05EMHR	8160
125 Supermoto		125	1999-		LB05EMHR	8160
125 SX		125	1993-1995		LB05EMHR	8160
125 SX		125	1996-1997		LB05EMHR	8160
125 SX		125	1997-1998		LB05EMHR	8160
125 SX		125	1999-2000		LB05EMHR	8160
125 SX		125	2002-2002		LB05EMHR	8160
GS 125		125	-	12,7 mm Thread	LB05F	8051
MC 125		125	-	12,7 mm Thread	LB05F	8051
MC 125 GP		125	-		LB05F	8051
GS 175		175	-		LB05F	8051
MC 175		175	-		LB05F	8051
200 EGS		200	1998-		LB05EMHR	8160
200 EGS		200	1999-		LB05EMHR	8160
200 EXC		200	1998-1999		LB05EMHR	8160
200 EXC		200	1999-2001		LB05EMHR	8160
200 EXC		200	2002-		LB05EMHR	8160
200 MXC		200	1999-		LB05EMHR	8160
200 SX		200	2003-2006		LB05EMHR	8160
250 DXC		250	-		LB05EMHR	8160
250 EGS		250	1993-1995		LB05EMHR	8160
250 EGS		250	1997-1997		LB05EMHR	8160





Stock No.

KTM						
250 EGS		250	1997-1997		LB05EMH-R	8160
250 EGS		250	1998-1998		LB05EMH-R	8160
250 EGS		250	1999-1999		LB05EMH-R	8160
250 Enduro		250	-		LB05EMH-R	8160
250 EXC		250	1993-1995		LB05EMH-R	8160
250 EXC		250	1996-1996		LB05EMH-R	8160
250 EXC		250	1997-1998		LB05EMH-R	8160
250 EXC / Six Days		250	1998-2001		LB05EMH-R	8160
250 EXC Enduro Competition		250	2003-		LB05EMH-R	8160
250 EXC Racing		250	1997-		VD05EG	5817
250 EXC Racing		250	2003-		VD05EG	5817
250 EXC Racing GS		250	2003-		VD05EG	5817
250 MX		250	-		LB05EMH-R	8160
250 SX		250	1993-1995		LB05EMH-R	8160
250 SX		250	1993-1995		VD05EG	5817
250 SX		250	1996-1997		LB05EMH-R	8160
250 SX		250	1997-1998		LB05EMH-R	8160
250 SX		250	1998-1999		LB05EMH-R	8160
250 SX		250	1999-2004		LB05EMH-R	8160
250 SX		250	2005-		VD05EG	5817
250 SXC		250	1999-		LB05EMH-R	8160
250 SXF		250	2005-		VD05EG	5817
GS 250		250	-	12,7 mm Thread	LB05F	8051
MC 250		250	-	12,7 mm Thread	LB05F	8051
MC 250		250	-	19,0 mm Thread	LB05F	8051
MC 250 GP		250	-	19,0 mm Thread	LB05F	8051
MC 250 GP		250	-	12,7 mm Thread	LB05F	8051
300 EGS		300	1993-1995		LB05EMH-R	8160
300 EGS		300	1999-		LB05EMH-R	8160
300 EXC		300	1993-1995		LB05EMH-R	8160
300 EXC		300	1997-1998		LB05EMH-R	8160
300 EXC / Six Days		300	1999-		LB05EMH-R	8160
300 EXC Enduro Competition		300	2003-		LB05EMH-R	8160
300 MXC		300	1997-2002		LB05EMH-R	8160
300 MXC		300	2003-		LB05EMH-R	8160
300 SX		300	1993-1995		LB05EMH-R	8160
300 SX		300	1999-		LB05EMH-R	8160
360 EXC		360	1997-		LB05EMH-R	8160
360 MXC		360	1997-		LB05EMH-R	8160
360 SX		360	1996-		LB05EMH-R	8160
360 SX		360	1997-		LB05EMH-R	8160
380 EGS		380	1998-		LB05EMH-R	8160
380 EGS		380	1999-		LB05EMH-R	8160
380 Enduro		380	1998-		LB05EMH-R	8160
380 EXC		380	1998-		LB05EMH-R	8160
380 SX		380	1999-		LB05EMH-R	8160
400 EGS	LC4	400	1993-1999		SD05F-R	8238
400 EGS		400	1997-		SD05F-R	8238
400 EGS-E		400	1997-		SD05F-R	8238
400 EGS-E	LC4	400	1997-1999		SD05F-R	8238
400 Enduro-E		400	1998-		SD05F-R	8238
400 EXC Racing		400	1999-2002		VD05EG	5817





Stock No.

KTM

400 EXC Racing		400	2003-		VD05EG	5817
400 LC4		400	1999-2002		SD05F-R	8238
400 LC4-E		400	1999-2002		SD05F-R	8238
400 LS-E		400	1997-2002		SD05F-R	8238
400 SC	LC4	400	1993-1999		SD05F-R	8238
400 SC		400	1996-		SD05F-R	8238
400 SC		400	1998-		SD05F-R	8238
400 SX		400	1998-2002		SD05F-R	8238
400 SXC	LC4	400	1993-1999		SD05F-R	8238
400 SXC		400	1998-2002		SD05F-R	8238
400 SXC		400	1999-2002		SD05F-R	8238
400 SXC		400	1999-2002		SD05F-R	8238
400 SX Racing / Six Days		400	1999-2002		VD05F	8052
GS 400		400	-		LB05F	8051
LC4 400		400	1998-		SD05F-R	8238
LC4 400 EGS		400	1993-		SD05F-R	8238
LC4 400 EXC		400	1993-		SD05F-R	8238
LC4 Competition		400	1998-		SD05F-R	8238
LC4- E 400 Enduro		400	2001-		SD05F-R	8238
MC 400		400	-		LB05F	8051
MC 400 GP		400	-		LB05F	8051
450 EXC Racing		450	2003-		VD05EG	5817
450 EXC Racing GS		450	2003-		VD05EG	5817
450 MXC Dessert		450	2003-		VD05EG	5817
450 MXC GS		450	2003-		VD05EG	5817
450 SMR		450	2004-2007		VD05EG	5817
450 SMR		450	2005-		VD05EG	5817
450 SX-F		450	2015-		VF05EGAK	92755
450 SX-F		450	2016-		VF05EGAK	92755
450 SX-F Factory Edition		450	2015-		VF05EGAK	92755
450 SX-F Factory Edition		450	2016-		VF05EGAK	92755
450 SX Racing		450	2003-		VD05EG	5817
450 XC-F		450	2015-		VF05EGAK	92755
450 XC-F		450	2016-		VF05EGAK	92755
450 XC-W		450	2015-		VF05EGAK	92755
450 XC-W		450	2016-		VF05EGAK	92755
500 EXC		500	2015-		VF05EGAK	92755
500 EXC		500	2016-		VF05EGAK	92755
500 EXC Six Days		500	2016-		VF05EGAK	92755
500 XC-W		500	2015-		VF05EGAK	92755
500 XC-W		500	2016-		VF05EGAK	92755
GS 500		500	-		LB05F	8051
GS 500		500	-		LD05F	8060
MC 500		500	-		LB05F	8051
MC 500		500	-		LD05F	8060
520 EXC Racing / Six Days		520	1999-2002		VD05F	8052
520 SX Racing		520	1999-2002		VD05F	8052
525 EXC Racing		525	2003-		VD05EG	5817
525 EXC Racing GS		525	2003-		VD05EG	5817
525 MXC		525	2003-		VD05EG	5817
525 MXC Desert Racing		525	2005-		VD05EG	5817
525 SMR		525	2005-		VD05EG	5817





Stock No.

KYMCO

Calypso 50		50	1997-		VD05F	8052
Calypso 125		125	1997-		VD05F	8052

K-ZWO

Cat 50		50	1997-		LB05FP	8030
--------	--	----	-------	--	--------	------

MAICO

SG 125		125	-		LB05F	8308
250		250	1994-		LB05F	8308
320		320	1994-		LB05F	8308
MC 400		400	-		LB05F	8308
440		440	1994-		LB05F	8308
500		500	1994-		LB05F	8308
GS 500		500	-		LB05F	8308
GS Star 500		500	-		LB05F	8308
GS Star E 500		500	-		LB05F	8308
MC 500		500	-		LB05F	8308
MC 500		500	1994-		LB05F	8308

MBK

50 EV		49	-		LB05F	8051
50 EW		49	-		LB05F	8051
50 L		49	-		LB05F	8051
50 S		49	-		LB05F	8051
50 VS		49	-		LB05F	8051
51 New West		49	-		LB05F	8051
51 S		49	-		LB05F	8051
51 SL		49	-		LB05F	8051
51 Super		49	-		LB05F	8051
51 Super Special		49	-		LB05F	8051
51 V		49	-		LB05F	8051
51 VL		49	-		LB05F	8051
89		49	-		LB05F	8051
Active		49	-		LB05F	8051
AV 89		49	-		LB05F	8051
AV 92		49	-		LB05F	8051
AV 98		49	-		LB05F	8051
Cady		49	-		LB05F	8051
CF		49	-		LB05F	8051
Champ		49	-		LB05F	8051
Daytona Beach		49	-		LB05F	8051
Daytona Cruiser		49	-		LB05F	8051
FXK		49	-		LB05F	8051
G 40		49	-		LB05F	8051
G 50		49	-		LB05F	8051
Hobby IV		49	-		LB05F	8051
KW Magnum		49	-		LB05F	8051
Mobylett		49	-		LB05F	8051
N 40		49	-		LB05F	8051
N 50		49	-		LB05F	8051
Rock		49	-		LB05F	8051
SP 50		49	-		LB05F	8051
SP 92		49	-		LB05F	8051



Stock No.

MBK

SP 93		49	-		LB05F	8051
SP 94		49	-		LB05F	8051
SP 98		49	-		LB05F	8051
SP 99		49	-		LB05F	8051
Weekly		49	-		LB05F	8051
X 1		49	-		LB05F	8051
X 1L		49	-		LB05F	8051
X 7L		49	-		LB05F	8051
X 7S		49	-		LB05F	8051
X 7VL		49	-		LB05F	8051
X 7VS		49	-		LB05F	8051
ZX		49	-		LB05F	8051
50 R		50	-		LB05F	8051
50 VL		50	-		LB05F	8051
89		50	-		LB05F	8051
93		50	-		LB05F	8051
99		50	-		LB05F	8051
D50		50	-		LB05F	8051
SP 94 TT		50	-		LB05F	8051
D75		75	-		LB05F	8051
125		125	-	12,7 mm Thread	LB05F	8051
250		250	-		LB05F	8051
350 E		350	-		LB05F	8051
350 Injection		350	-		LB05F	8051

MONTESA

315R		315	1997-		LB05F	8051
------	--	-----	-------	--	-------	------

PEUGEOT

103 CRX		50	-		LB05F	8051
103 LC		50	-		LB05F	8051
103 MP/MR		50	-		LB05F	8051
103 Racen		50	-		LB05F	8051
103 T16		50	-		LB05F	8051
103 TXLC, TXR		50	-		LB05F	8051
103 Vogue		50	-		LB05F	8051
104		50	-		LB05F	8051
105		50	-		LB05F	8051
Jet Force C-Tech 50		50	2005-		LB05E-R	8898
Speedfight LC		50	1996-		LB05E-R	8898
Speedfight M		50	1996-		LB05E-R	8898
SV 50		50	-1995		LB05E-R	8898
SV 50		50	1996-		LB05E-R	8898
Trekker Off Road		50	1998-		LB05E-R	8898
Trekker Road		50	-		LB05E-R	8898
Speedfight 100		100	1996-2003		LB05E-R	8898
SV 100		100	1996-		LB05E-R	8898
Trekker 100		100	1998-		LB05E-R	8898
Looxor 125		125	-		LB05E-R	8898
Looxor 150		150	-		LB05E-R	8898

PGO

Big Max 25/50		50	-		LB05F	8051
Big Max 50		50	-		LB05F	8051





Stock No.

PGO

Big Max Sport 50		50	1996-		LB05F	8051
Comet		50	-		LB05F	8051
Galaxy 25		50	-		LB05F	8051
Galaxy 50		50	-		LB05F	8051
Mega 50		50	1996-		LB05F	8051
PMS 50		50	1999-		LB05F	8051
PMX 50		50	1999-		LB05F	8051
Rodoshow		50	2000-		LB05F	8051
Star 2		50	-		LB05F	8051
Star 50		50	-		LB05F	8051
Tornado 50		50	1997-		LB05F	8051
T-Rex 50		50	1998-		LB05F	8051
T-REX 50		50	1999-		LB05F	8051
Star 80		80	-		LB05F	8051
Big Max 90		82	1996-		LB05F	8051
T-REX 125 2T		125	1999-		LB05F	8051
T-REX 125 4T		125	1999-		YB05F	8082

PIAGGIO

Free 25 Mofa		25	-		LB05F	8051
Zip 25 Mofa		25	-		LB05F	8051
Zip Base 25 / Mofa		25	-		LB05F	8051
50 R Special		50	-		LB05F	8051
50 S		50	-		LB05F	8051
Boss 50		50	-		LB05F	8051
Bravo 50 P		50	-		LB05F	8051
Bravo 50 PV		50	-		LB05F	8051
Bravo - Si / Moped		50	-		LB05F	8051
Ciao-Bravo SI / Mofa		50	-		LB05F	8051
Ciao Mix / Mix		50	-		LB05F	8051
Ciao M Kat		50	-		LB05F	8051
Ciao V Kat		50	-		LB05F	8051
Eaglet 50		50	-		LB05F	8051
Fly 50 4T		50	2006-		LB05E-R	8898
Free 50		50	1993-		LB05F	8051
Grillo / Mofa		50	-		LB05F	8051
Liberty 50 4T		50	2002-2005		LB05E-R	8898
NRG		50	-		LB05F	8051
NRG 50 H ² O Kat		50	-	Water fluid	LB05F	8051
NRG 50 mc2 DD		50	-		LB05F	8051
NRG 50 mc2 DT		50	-		LB05F	8051
NRG Extreme		50	-		LB05F	8051
NRG Extreme Kat		50	-		LB05F	8051
NRG mc2 50		50	1996-		LB05F	8051
NSP 4T Aria		50	2002-		LB05E-R	8898
PK 50 S		50	-		LB05F	8051
PK 50 SS		50	-		LB05F	8051
PK 50 XL2		50	-		LB05F	8051
PK 50 XL2		50	-		LB05F	8051
Plurimatic		50	-		LB05F	8051
PX 50		50	-		LB05F	8051
Quarz 50		50	1992-		LB05F	8051
Sfera 50, FL, RL, RST		50	-		LB05F	8051





Stock No.

PIAGGIO

Storm 50		50	1994-		LB05F	8051
Super Bravo / Mofa		50	-		LB05F	8051
Super Bravo / Mofa		50	-		LB05F	8051
TPH		50	1993-		LB05F	8051
Velofax / Mofa		50	-		LB05F	8051
Vespa Delta,Puch Condor		50	-		LB05F	8051
Vespa Elestart		50	-		LB05F	8051
Vespa ET4 50		50	2002-2005		LB05E-R	8898
Vespa HP 4M		50	-		LB05F	8051
Vespa PK 50 XL 2		50	-		LB05F	8051
Vespa Vale Especial/Standard		50	-		LB05F	8051
Vespino		50	-		LB05F	8051
Vespino NX/SC/T/TL/TN/TS		50	-		LB05F	8051
Vespino TX/XE		50	-		LB05F	8051
Zip & Zip 50 Aria		50	2002-		LB05E-R	8898
Zip & Zip Hybrid		50	1994-		LB05F	8051
Zip 50		50	1992-		LB05F	8051
Zip 50 Fast Rider		50	1993-		LB05F	8051
Zip 50 SP		50	-		LB05F	8051
Zip Base 50		50	-		LB05F	8051
Vespa PK 75S / Junior		75	-		LB05F	8051
Vespa PK 75S Primavera / T3 Prima.		75	-		LB05F	8051
Vespa PK 75XL		75	-		LB05F	8051
PX 80 E,P 80 X		80	-		LB05F	8051
PX 80 E Lusso		80	-		LB05F	8051
Sfera 80		80	-		LB05F	8051
TPH 80		80	1994-		LB05F	8051
Diesis 100		100	2001-		LB05E-R	8898
Free 100		100	2002-		LB05E-R	8898
Zip 100		100	2006-		LB05E-R	8898
Ape		125	-		LB05F	8051
Beverly 125 / Tourer 125		125	2002-		LB05E-R	8898
Carnaby 125		125	2007-		LB05E-R	8898
Cosa 200 FL EBC		125	-		LB05F	8051
ET 3 125		125	-		LB05F	8051
ET 4 125		125	-		LB05E-R	8898
Hexagon LX		125	-	Water fluid	LB05E-R	8898
Hexagon LX 125		125	1994-		LB05F	8051
MP3 125 i.e.		125	2006-		L05EA	6667
PK 125		125	-		LB05F	8051
PK 125, E, S		125	-		LB05F	8051
PK 125 XL		125	-		LB05F	8051
PK 125 XL 2		125	-		LB05F	8051
Sfera 125		125	1995-		LB05F	8051
Sfera RST		125	1995-		LB05F	8051
Skipper 125		125	2000-		LB05E-R	8898
Skipper 125 LX		125	1993-		LB05F	8051
SKR 125		125	1993-		LB05F	8051
Super Hexagon GTX 125		125	2001-		LB05E-R	8898
TPH		125	1995-		LB05F	8051
Vespa 125 CL/LS/NK Primavera		125	-		LB05F	8051
Vespa 125 T5 Sport		125	-		LB05F	8051





Stock No.

PIAGGIO

Vespa ET4		125	1999-		VD05EM	8422
Vespa ET4 125		125	1996-		VD05EM	8422
Vespa Gandturisticmo		125	-2004		LB05E-R	8898
Vespa GT		125	2003-		LB05E-R	8898
Vespa GTS 125		125	2007-		L05EA	6667
Vespa GTS Super 125 i.e.		125	2010-		L05EA	6667
Vespa GTV 125		125	-		L05EA	6667
Vespa LX 125		125	2005-		VD05EM	8422
Vespa LX 125 i.e.		125	2009-		L05EA	6667
Vespa LXV 125		125	-		L05EA	6667
Vespa PX 125 Kat		125	-		LB05F	8051
Vespa S 125 i.e.		125	2008-		L05EA	6667
Vespa Special ET3 Primavera		125	-		LB05F	8051
Vespa Special ET4 Carburatore		125	-		LB05E-R	8898
Vespa T3Li/T3		125	-		LB05F	8051
Vespa T5		125	-		LB05F	8051
Vespa XL 125 Plurimat		125	-		LB05F	8051
X7 EVO 125 i.e.		125	2007-		V05E	6665
X 8 125		125	2004-		LB05E-R	8898
X 9 125		125	2002-		LB05E-R	8898
X EVO		125	2006-		LB05E-R	8898
Zip 125		125	-		LB05E-R	8898
EX 150 Hexagon		150	1994-		LB05F	8051
Hexagon 150		150	1994-		LB05F	8051
Liberty 150		150	2002-		L05EA	6667
Skipper 150		150	1993-		LB05F	8051
Skipper ST 4T		150	2001-		LB05E-R	8898
SKR 150		150	1998-		LB05F	8051
Vespa 150 ET4		150	2001-2002		LB05E-R	8898
Vespa 150 ET4		150	2002-		LB05E-R	8898
Vespa 150 long		150	-	19,0 mm Thread	LB05F	8051
Vespa LX 150		150	2008-		L05EA	6667
Vespa LX 150 i.e.		150	2009-		L05EA	6667
Vespa PX 150 Kat		150	-		LB05F	8051
Vespa S 150 i.e.		150	2008-		L05EA	6667
Vespa 160/ GT		160	-		LB05F	8051
Vespa 175		175	-		LB05F	8051
Super Hexagon LXT 180		180	2001-		LB05E-R	8898
Vespa SS		180	-		LB05F	8051
X 9 180 Amalfi 4T		180	2001-		LB05E-R	8898
Ape		190	-		LB05F	8051
Beverly 200		200	2001-		LB05E-R	8898
Carnaby 200		200	2007-		LB05E-R	8898
Cosa 200 Aluzyl.		200	1993-1997		LB05F	8051
Liberty 200		200	2004-		LB05E-R	8898
Vespa 200 DN/ DS/ E		200	-		LB05F	8051
Vespa 200 TX Elestart		200	-		LB05F	8051
Vespa PX 200E/Iris/Iris Elestart		200	-		LB05F	8051
Ape 220		220	-		LB05F	8051
Beverly 250 / Cruiser 250 / Tourer 250		250	2003-		LB05E-R	8898
Hexagon GT 250 4T		250	1998-		VD05F	8052
MP3 250 / RST 250		250	2006-		LB05E-R	8898





Stock No.

PIAGGIO

Vespa GTS 250		250	2006-		LB05E-R	8898
Vespa GTS 250 IE		250	2006-		L05EA	6667
X 8 250 i.e.		250	2006-		LB05E-R	8898
X 9 250 EVO		250	2007-		LB05E-R	8898
X 9 250 Evolution		250	-		LB05E-R	8898
Carnaby 300 ie.		278	2009-		L05EA	6667
Vespa GTS 300 Super		278	2008-		L05EA	6667
Vespa GTV 300 via Montenapoleone		278	2010-		L05EA	6667

SACHS

Speedfight 50 AC		50	1997-	Air	LB05F	8051
Speedfight 50 LC		50	1997-	Water fluid	LB05F	8051
Speedfight 50 LC ADT		50	1997-	Water fluid	LB05F	8051
RS 125		125	1997-		LB05F	8051
ZX 125		125	1997-		LB05F	8051

SIAM

Falkon 50		50	1997-		LB05FP	8030
-----------	--	----	-------	--	--------	------

SUZUKI

A 50 K		50	-		LB05F	8051
A 50 P		50	-		LB05F	8051
AE 50		50	1993-		LB05F	8051
AH 50 Adress	CA1GA	50	1992-		LB05F	8051
AH 50 GP		50	1995-		LB05F	8051
AJ 50		50	1995-		LB05F	8051
AJ 50 ZZ		50	1995-		LB05F	8051
AP 50	CA1JA	50	1994-1994	Constr. Code R	LB05F	8051
AP 50	CA1JA	50	1995-1995		LB05F	8051
AP 50 S	CA1JA	50	1995-		LB05F	8051
AP 50 T		50	1996-		LB05F	8051
CL 50 DO		50	-		LB05F	8051
CP 50	CA14C/E	50	-		LB05F	8051
CP 50		50	-	Constr. Code H/I/J/L/M/N	LB05F	8051
CS 50		50	-		LB05F	8051
CX 50		50	-		LB05F	8051
CY 50		50	-		LB05F	8051
DM 50		50	-		LB05F	8051
DV 50		50	-		LB05F	8051
FA 50		50	-		LB05F	8051
FR 50		50	-		LB05F	8051
FS 50		50	-		LB05F	8051
FZ 50		50	-		LB05F	8051
GT 50		50	-		LB05F	8051
JR 50		50	1993-1994		LB10EH	8351
JR 50		50	1995-		LB10EH	8351
K 50		50	-		LB05F	8051
Katana AY50		50	1997-	Water fluid	LB05F	8051
Maxi 50		50	-		LB05F	8051
OR 50		50	-		LB05F	8051
RG 50 KE		50	-		LB05F	8051
RG 50 W		50	-		LB05F	8051
RV 50		50	-		LB05F	8051





Stock No.

SUZUKI

Suzy		50	1995-		LB05F	8051
TR 50		50	-		LB05F	8051
TR 50 S Magic		50	1998-		LB05F	8051
TS 50		50	-	12,7mm Thread	LB05F	8051
TS 50 ER		50	-		LB05F	8051
TS 50 XK	SA11C	50	-		LB05F	8051
ZR 50		50	-		LB05F	8051
CS 80		80	-		LB05F	8051
DS 80		80	1993-1994		LB05F	8051
DS 80		80	1995-		LB05F	8051
FR 80		80	-		LB05F	8051
GT 80 EX/LX		80	-		LB05F	8051
RG 80 G	NC11A	80	-		LB05F	8051
RG 80 Gamma		80	-		LB05F	8051
RG 80 WF		80	-		LB05F	8051
RM 80		80	1993-		LB05F	8051
RM 80 H		80	-		LB05F	8051
RM 80 X		80	-	Constr. Code M/ N/ P/ R/ S/ T/ V	LB05F	8051
TS 80 ERX		80	-		LB05F	8051
TS 80 X	SA11A	80	-		LB05F	8051
TS 80 XE-H		80	-		LB05F	8051
FM 90		90	-		LB05F	8051
RV 90		90	-		LB05F	8051
A 100		100	1995-		LB05F	8051
AH 100		100	-1993		LB05F	8051
AH 100	CE12A	100	1995-		LB05F	8051
FB 100 / D		100	1995-		LD05F	8060
GP 100		100	-		LB05F	8051
AN 125	CF42A	125	1995-1996		LB05F	8051
AN 125	CF42A	125	1995-1996		LD05F	8060
AN 125	CF42A	125	1996-1996	Constr. Code T/ V/ W/ X/ Y/	LD05F	8060
AN 125	CF42A	125	1997-1997	Constr. Code V	LB05F	8051
CS 125		125	-		LD05F	8060
DR 125 SE	SF44A	125	1995-2000		LD05F	8060
DR 125 SJ	SF43B	125	-		LD05F	8060
GN 125 V	NF41A	125	1997-		LD05F	8060
GP 125		125	-		LB05F	8051
GS 125 S		125	-1998		LD05F	8060
GS 125 S		125	1999-		LD05F	8060
GT 125,-E		125	-		LB05F	8051
RC 125		125	-		LB05F	8051
RM 125		125	1993-1995	LB05F/CR2	LB05F	8051
RM 125		125	1996-1997	LB05F/CR2	LB05F	8051
AN 150 T		150	1996-		LD05F	8060
GT 185		185	-		LB05F	8051
TS 185 ER		185	1993-		LB05F	8051
DR 200 SZ		200	1995-		LD05F	8060
GT 200		200	-		LB05F	8051
TS 200		200	-	LB05F/CR2	LB05F	8051
DR 250 SZ		250	1995-		XD05F-R	8768
DR 250 SZ-H		250	-		XD05F-R	8768





Stock No.

SUZUKI

GSX 250 L		250	-		SD05F-R	8238
GN 400 TD-X		400	-		LD05F	8060
GS 400 TX		400	-		VB05F	8032
GSF 400 BANDIT	GK75B	400	-1992		SD05F-R	8238
GSX 400 FW		400	-		SD05F-R	8238
GSX 400 FX		400	-		SD05F-R	8238
GSX 400 LX		400	-		SD05F-R	8238
GSX 400 S		400	-		SD05F-R	8238
GSX 400 SE/EF	GK53C	400	-		SD05F-R	8238
GSX-R400		400	-		SD05F-R	8238
GSX-R400		400	1993-		SD05F-R	8238
GS 450 E/ES	GS450	450	-		VB05F	8032
GS 450 L	GL51D	450	-		VB05F	8032
GS 450 SF		450	-		VB05F	8032
GS 450 TX		450	-		VB05F	8032
GS 500 E		500	-2000		VB05F	8032
GS 500 E		500	-2000	XB05F(IN)/VB05F(OUT)	XB05F	8062
GS 500 E	GM51B	500	1993-2000		VD05F	8052
GS 500 E	GM51B	500	1993-2000	XD05F(IN) LD05FP(OUT)	XD05F	8072
GSX 550 EF		550	-		SD05F-R	8238
DR 600		600	-		LD05F	8060
DR 600 R Djebel		600	-		LD05F	8060
DR 600 S	SN41A	600	-		LD05F	8060
GR 650 D/XD/XF	GP51A	650	-		LD05F	8060
GS 750 D/E/L		750	-		VB05F	8032
GS 750 D/E/L		750	-	XB05F(IN)/VB05F(OUT)	XB05F	8062
VS 750 GL		750	-	Constr. Code H/J/K	SD05F-R	8238
GS 850 G	GS72A	850	-		VB05F	8032
GS 850 G	GS72A	850	-	XB05F(IN)/VB05F(OUT)	XB05F	8062
GS 850 GL		850	-		VB05F	8032
GS 850 GL		850	-	XB05F(IN)/VB05F(OUT)	XB05F	8062
GS 1000 D/E/H/S-1980/GL/GX		1000	-		VB05F	8032
GS 1000 D/E/H/S-1980/GL/GX		1000	-	XB05F(IN)/VB05F(OUT)	XB05F	8062
GSX 1100 EFE		1100	-		SD05F-R	8238
GSX 1100 EFG/ESG/EG	GV71C	1100	-		SD05F-R	8238
GSX 1100 EZ/ESD	GU71B	1100	-		SD05F-R	8238
GSX 1100 S/SZ Katana	GS110XS	1100	-		SD05F-R	8238

YAMAHA

Golf Car G2A/G9A			1992-		LB05F	8051
Aerox		50	1997-		LB05F	8051
Axis	3UG	50	1997-		LB05F	8051
BW 50	CW50	50	1996-		LB05F	8051
BW 50 Bump		50	1996-		LB05F	8051
BW 50 NG	CW50RS	50	1996-		LB05F	8051
BW 50 R	4BX	50	1996-		LB05F	8051
BW 50 Spy	4VA	50	1996-		LB05F	8051
CR 50 Z		50	-		LB05F	8051
CR 50 Z/SS		50	1993-		LB05F	8051
CV 50		50	-		LB05F	8051
CW 50	4BX	50	1994-		LB05F	8051
CW 50 R	4BX	50	-		LB05F	8051





Stock No.

YAMAHA

CW 50 RSX		50	1996-		LB05F	8051
CY 50		50	1994-		LB05F	8051
CY 50 E		50	1993-		LB05F	8051
CY 50 F		50	1994-		LB05F	8051
DT 50		50	-		LB05F	8051
DT 50 E		50	1993-		LB05F	8051
DT 50 F		50	1994-		LB05F	8051
ES 50		50	-		LB05F	8051
Evolis	4FW	50	-		LB05F	8051
Fizz	4RC	50	1995-		LB05F	8051
Jog-Z 50		50	1995-		LB05F	8051
MA 50		50	-		LB05F	8051
MA 50 M		50	-		LB05F	8051
MR 50		50	-		LB05F	8051
MR 50 H		50	-		LB05F	8051
Neo´s		50	1997-2007		LB05F	8051
PW 50 E		50	1993-		LB05F	8051
PW 50 H / F		50	-		LB05F	8051
SH 50 / F		50	-		LB05F	8051
SH 50 E / ED / MF		50	1993-		LB05F	8051
Spy 50		50	-		LB05F	8051
T 50		50	-		LD05F	8060
V 50 D		50	1993-		LB05F	8051
V 50 E		50	-		LB05F	8051
YA 50	5AK	50	1997-		LB05F	8051
YA 50 R Axis Mofa	5AK	50	1997-		LB05F	8051
YA 50 R Forte	3UG	50	-		LB05F	8051
YB 50 S		50	-		LB05F	8051
YE 50		50	1993-		LB05F	8051
YE 50 Evolis	4FW	50	-		LB05F	8051
YE 50 Zest	4FW	50	-		LB05F	8051
YE 50 Zest		50	1992-		LB05F	8051
YM 50 Breeze	4RC	50	1995-		LB05F	8051
YZ 50		50	-		LB05F	8051
YZ 50 H		50	-		LB05F	8051
YB 60		60	-		LB05F	8051
YZ 60 H		60	-		LB05F	8051
CW 65		65	1994-		LB05F	8051
CV 80		80	-		LB05F	8051
Evolis	4MU	80	-		LB05F	8051
PW 80 E / F	4BC..	80	1993-		LB05F	8051
T 80		80	-		LD05F	8060
V 80 H / D		80	-		LB05F	8051
YB 80		80	-		LB05F	8051
YE 80		80	1994-		LB05F	8051
YE 80 Zest	4MU	80	-		LB05F	8051
YZ 80		80	1995-		LB05F	8051
YZ 80 E / F/LW/ LWF	4LB	80	1993-		LB05F	8051
YZ 80 H		80	1994-1996		LB05F	8051
YZ 80 H.R.		80	-		LB05F	8051
YZ 80 L.R.		80	-		LB05F	8051
YA 90 E / F		90	1993-		LB05F	8051



Stock No.

YAMAHA

AG 100		100	-		LB05F	8051
AG 100 H / E / F		100	-		LB05F	8051
RT 100 E / F		100	1993-		LB05F	8051
RX 100		100	-	12,7mm Thread	LB05F	8051
RXS 100		100	-		LB05F	8051
RX-ZD		100	1993-		LB05F	8051
V 100 E/S/SH		100	1993-		LB05F	8051
YB 100		100	1994-		LB05F	8051
V 110 E		110	1993-		LB05F	8051
RX 115		115	1993-		LB05F	8051
V 120 JR / ZR		120	1994-		LB05F	8051
DT 125		125	1994-		LB05F	8051
DT 125 F		125	-		LB05F	8051
DT 125 H		125	-		LB05F	8051
DT 125 MX		125	-		LB05F	8051
DT 125 Tenere		125	-		LB05F	8051
IT 125		125	-		LB05F	8051
IT 125 H		125	-		LB05F	8051
R 125 SE		125	-		LB05F	8051
RX 125		125	-	12,7mm Thread	LB05F	8051
RX 125 H		125	-		LB05F	8051
SR 125		125	-		LD05F	8060
SR 125	10F	125	1997-		LD05F	8060
SR 125 Z		125	1993-		LD05F	8060
TA 125 A		125	-		LB05F	8051
TDR 125	4GW	125	1992-1996		LB05F	8051
TDR 125	5AN	125	1997-		LB05F	8051
TZ 125	4JT	125	1995-		LB05F	8051
TZ 125 / F		125	1994-		LB05F	8051
TZ 125 H		125	-1995		LB05F	8051
TZR 125		125	-1992		LB05E-R	8898
TZR 125		125	-1992	LB05F/CR2	LB05F	8051
TZR 125		125	1993-		LB05E-R	8898
XC 125 Cygnus		125	-1994		LD05F	8060
XC 125 Cygnus		125	1995-		LD05F	8060
XC 125 T	4NB	125	1994-		LD05F	8060
XC 125 T	4KY	125	1995-		LD05F	8060
XC 125 T Cygnus T	4NB	125	1996-		LD05F	8060
XC 125 TR Cygnus	4NB	125	1996-1999		LD05F	8060
XT 125		125	-		LD05F	8060
XV 125	5AJ	125	1997-		LD05F	8060
YB 125		125	-	LB05F/CR2	LB05F	8051
YS 125		125	-		LB05F	8051
YZ 125		125	-	LB05F/CR2	LB05F	8051
YZ 125 B		125	-	Constr. Code / C / G / G1 / H / X	LB05F	8051
YZ 125 C		125	-		LB05F	8051
YZ 125 E		125	-		LB05F	8051
YZ 125 E / E1 / F		125	1993-		LB05F	8051
YZ 125 H		125	-		LB05F	8051
YZ 125 X		125	-		LB05F	8051
FZ 150		150	1994-		LD05F	8060
FZR 150		150	1994-		LD05F	8060





Stock No.

YAMAHA

RX 150		150	1993-		LB05F	8051
SR 150		150	1993-		LD05F	8060
XC 150 Fly one		150	1995-		LD05F	8060
AG 175		175	-		LB05F	8051
AG 175 H		175	-		LB05F	8051
YZ 175		175	-		LB05F	8051
RT 180 E		180	1993-		LB05F	8051
SH 185 H		185	-		LD05F	8060
AG 200 E / F		200	1993-		LD05F	8060
DT 200 LC / RE / RF		200	1993-		LB05F	8051
NR 200		200	-		LB05F	8051
TW 200 E / EC / F		200	1993-		LD05F	8060
TW 200 FC		200	1994-		LD05F	8060
WR 200 R / RE / RF		200	1993-		LB05F	8051
XT 225 E / EC / F / FC		225	1993-		LD05F	8060
TDR 240		240	-		LB05F	8051
XV 240		240	-		LD05F	8060
DT 250 H		250	-		LB05F	8051
R1-Z		250	1993-		LB05F	8051
SE 250		250	-		LB05F	8051
SR 250		250	-		LB05F	8051
SR 250 H / F		250	-		LB05F	8051
SR 250 TH		250	-		LB05F	8051
TT 250 R / RF		250	1994-	LB05F/CR2	LB05F	8051
TY 250 Z	4GG	250	1994-		LB05F	8051
TZ 250	4DP	250	1995-		LB05F	8051
TZ 250 / F		250	1994-		LB05F	8051
TZ 250 E/E1		250	1993-		LB05F	8051
WR 250 Z / ZE / ZF	4JW	250	1993-		LB05E-R	8898
XS 250 C		250	-		LB05F	8051
XS 250 H		250	-		LB05F	8051
XS 250 SE		250	-		SD05F-R	8238
XS 250 SH		250	-		SD05F-R	8238
XV 250		250	1994-		LD05F	8060
XV 250 F		250	1994-		LD05F	8060
XV 250 S	3LW	250	1995-		LD05F	8060
YP 250 Majesty	4UC	250	-		LD05F	8060
YZ 250	4DA,4EW	250	1992-		LB05F	8051
YZ 250	4MX	250	1995-		LB05F	8051
YZ 250 F		250	1994-		LB05F	8051
XT 350 E / F		350	1993-		LD05F	8060
YZ 360		360	-		LB05F	8051
DT 400 E		400	-		LB05F	8051
DT 400 H		400	-		LB05F	8051
SR 400		400	-	LB05F/CR2	LB05F	8051
TT 400 C		400	-		LB05F	8051
XV 400 SE		400	-		XB05F	8062
YZ 400		400	-		LB05F	8051
YZ 400 C		400	-		LB05F	8051
YZ 400 E		400	-		LB05F	8051
IT 500		500	-		LB05F	8051
SR 500	3EB	500	1995-	LB05F/CR2	LB05F	8051





Stock No.

YAMAHA

SR 500	48T	500	1997-	LB05F/CR2	LB05F	8051
SR 500 E		500	-	LB05F/CR2	LB05F	8051
SR 500 H		500	-	LB05F/CR2	LB05F	8051
XJ 500		500	-		XD05F-R	8768
XT 500 E		500	-1992		LB05F	8051
XV 500		500	-		XB05F	8062
XT 600 E	4PT / 4SK	600	1995-		LD05F	8060
XT 600 E / EF / EFC		600	1994-		LD05F	8060
XT 600 EH	3TB	600	1997-		LD05F	8060
XT 600 EH	3UW	600	1997-		LD05F	8060
XS 650 H		650	-		XB05F	8062
XS 650 II		650	-		XB05F	8062
XS 650 S		650	-		XB05F	8062
XS 650 SH		650	-		XB05F	8062
XV 750	4PW	750	1995-		XB05F	8062
XV 1100	3LP	1100	1995-		XB05F	8062
XV 1100 SC		1100	-		XB05F	8062
FJ 1200 AE/ AEC / E / F		1200	1993-		SD05F-R	8238





Stock No.

HONDA

TRX 70		70	-		LD05F	8060
TRX 90		90	1993-1994		LD05F	8060
TRX 90		90	1995-		LD05F	8060
ATC 125 M		125	-		LD05F	8060
Trax 125		125	-		LD05F	8060
TRX 125		125	-		VD05F	8052
ATC 185		185	-		LD05F	8060
ATC 185 S		185	-		LD05F	8060
ATC 200		200	-		VD05F	8052
TRX 200 D		200	1992-		VD05F	8052
ATC 250 ES /SX		250	1985-		VD05F	8052
TRX 250		250	-		VD05F	8052
TRX 250 R		250	-		VD05F	8052
TRX 250 X		250	-		VD05F	8052

KAWASAKI

KLF 110		110	1983-1986		LD05F	8060
KLF 110		110	1987-1988		LD05F	8060
KLT 160		160	1985-		LD05F	8060
KLF 185		185	1985-1988		LD05F	8060
KLT 200		200	1981-1994		LB05FP	8030
KLF 220 A		220	1988-2002		LD05F	8060
KDX 250		250	-		LB05F	8051
KDX 250		250	1991-		LB05F	8051
KDX 250 SR		250	1992-		LB05F	8051
KLT 250		250	1982-1985		LB05FP	8030
KSF 250		250	1987-2004		XD05F-R	8768
KXF 250		250	1988-		LBER-B	8308
KXT 250		250	1984-1988		LBER-B	8308
KAF 300		300	1991-1997		LB05EMHR	8160
KEF 300 A&B	(SQ)	300	1995-		LD05F	8060
KLF 300 B&C		300	1988-2006		LB05F	8051
KAF 450		450	1990-1996		XD05F-R	8768
KAF 620		620	1993-2001		LB05EMHR	8160

SUZUKI

LT 50		50	-		LB05F	8051
LT 80		80	-		LB05F	8051
LT 160 E		160	-1992	Constr.Code N	LD05F	8060
LT 160 E		160	1993-	Constr.Code P	LD05F	8060
LT 160 F		160	1993-	Constr.Code P	LD05F	8060
LT-F 160		160	1995-		LD05F	8060
LT 230 E		230	1993-	Constr.Code P	LD05F	8060
LT 230 E/F		230	-		LD05F	8060
LT 230 GE		230	-		LD05F	8060
LT 250		250	1985-1986		XD05F-R	8768
LT 250		250	1988-1993		VD05F-R	8376
LT 250 R		250	1985-1992		XD05F-R	8768
LT 250 S		250	1989-1990		VD05F-R	8376
LT-F 250		250	1988-2000		VD05F-R	8376
LT-F 250		250	1988-1999		VD05F-R	8376
LT-F 250 4WD		250	1987-1998		VD05F-R	8376
LT-F 250 4WDX		250	1991-1998		VD05F-R	8376





Stock No.

SUZUKI

LT-F 250 F		250	1999-2000		VD05F-R	8376
LT 300		300	1987-1989		XD05F-R	8768
LT-F 300 F		300	1999-2000		VD05F-R	8376
LT 500		500	1987-1990		LB10EH	8351
LT-A 500 F		500	1998-2000		VD05F-R	8376

YAMAHA

YF 60 1HN		60	1987-1988		LB05F	8051
YFM 80		80	-		LD05F	8060
YFM 80 E / F		80	1993-		LD05F	8060
YFM 80 W		80	2002-		LD05F	8060
YFM 80 W Badger		80	2002-		LD05F	8060
YFA 1 Breeze		125	1989-2004		LD05F	8060
YFA 1 F		125	1994-		LD05F	8060
YT 125		125	-		LB05F	8051
YT 125 CH		125	-		LB05F	8051
YT 125 H		125	-		LB05F	8051
YT 175		175	-		LB05F	8051
YFM 200	52H	200	1985-		LD05F	8060
YFM 200		200	1992-		LD05F	8060
YFM 225	2HT	200	-		LD05F	8060
YFM 225	59V	200	-		LD05F	8060
YFS 200 Blaster		200	1990-2007		LB05F	8051
YFS 200 E / F		200	1993-		LB05F	8051
TT 225		225	-		LD05F	8060
YFM 225		225	1992-		LD05F	8060
YFB 250 / E / F / FWF		250	1993-		LD05F	8060
YFB 250 / FW		250	1994-		LD05F	8060
YFM 250	3GH	250	1990-		LD05F	8060
YFM 250 Timberwolf		250	-		LD05F	8060
YFB 350		350	1996-1997		LD05F	8060
YFM-F 350		350	1987-1997		LD05F	8060
YFM-X 350		350	1987-1997		LD05F	8060
YFU-1		350	1989-		LD05F	8060
YFZ 350		350	1987-1997		LB05E-R	8898
YFM 400		400	1993-		LD05F	8060

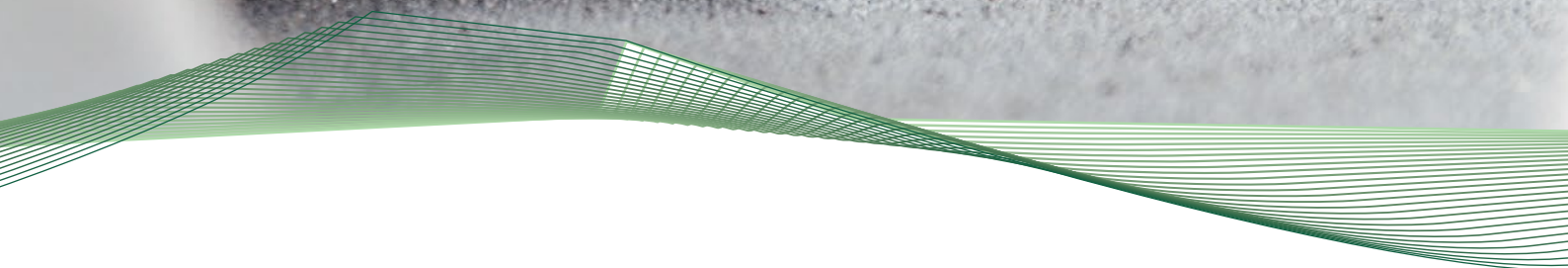




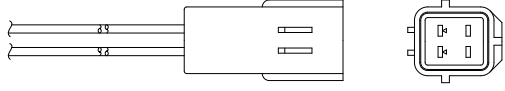
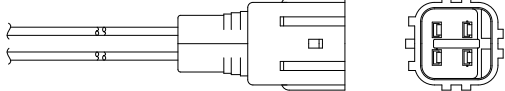
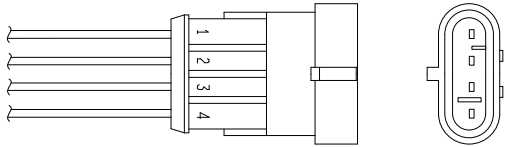
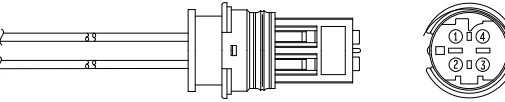
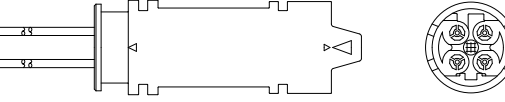
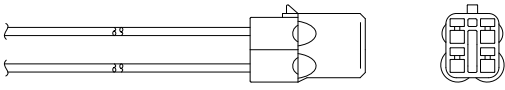
Stock No.

CAN-AM

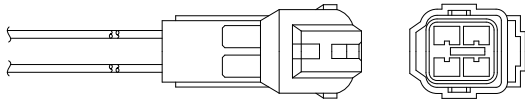
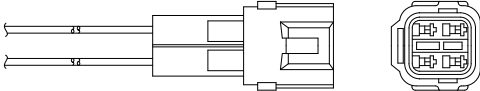
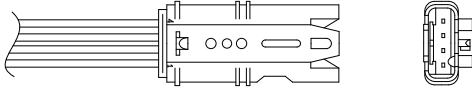
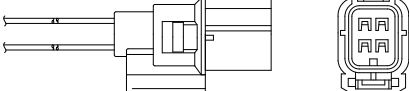
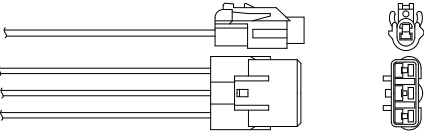
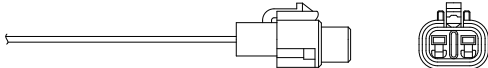
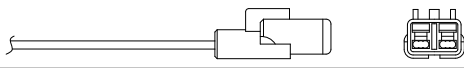
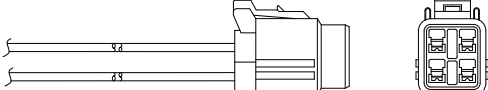
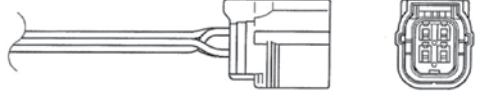
Maverick X DS 1000	X DS	1000	2013-		VF05EMK	92648
Maverick X MR 1000	X MR	1000	2013-		VF05EMK	92648
Maverick X RS 1000	X RS	1000	2013-		VF05EMK	92648
Maverick X XC 1000	X XC	1000	2013-		VF05EMK	92648



VEHICLE
ELECTRONICS

Connector N°	Type	REFERENCES	STOCK-N°
31		OZA591-BA1	6496
		OZA591-BA2	90520
		OZA591-SZ1	1767
		OZA591-YB1	001
34		AZD0101-KJ002	6552
		AZD0101-KJ004	6556
		AZD0101-KJ006	6559
		AZD0101-KJ008	6561
		AZD0102-KJ001	6567
		AZD0102-KJ003	6568
		AZD0102-KJ004	6574
40		OZA341-BB1	0036
		OZA591-BB2	1710
		OZA591-BB3	0066
68		OZA457-EE12	97070
		OZA630-BM3	0074
69		OZA522-BM1	0053
		OZA522-BM2	0054
80		AZD0101-BA001	7667
		AZD0101-KJ001	6551
		AZD0101-KJ005	6558
		AZD0101-VB001	7672
		AZD0101-VB002	7673
		AZD0101-VB003	7689
		AZD0101-VB004	7690
		AZD0102-HG003	7664
		AZD0102-HG004	7665
		OZA448-J1	6413
		OZA448-J3	6415
		OZA448-J4	0003
		OZA448-J5	0004
		OZA523-J1	1333
		OZA577-H12	6473
		OZA577-H17	0007
		OZA577-H21	6479
OZA577-H24	6484		
OZA591-J2	6454		
OZA656-H1	6491		
OZA656-H3	6493		



Connector N°	Type	REFERENCES	STOCK-N°
96		AZD0101-HG001	6539
		AZD0101-HG002	6540
		AZD0101-HG003	6541
		AZD0101-HG004	6543
		OZA333-H16	6456
		OZA333-H29	6459
		OZA333-H30	6460
		OZA333-H31	6462
		OZA577-H13	6475
		OZA577-H15	0064
		OZA577-H19	6476
		OZA577-H20	6477
		OZA577-H22	6483
		OZA577-H4	6463
		OZA577-H5	6469
		OZA577-H6	0065
		OZA577-H7	6471
97		OZA591-UB1	0067
		OZA591-UB2	0008
		OZA591-VB2	0009
		OZA591-WB1	0010
99		OZA630-BM1	0072
		OZA630-BM2	0073
105		AZD0102-HG009	6576
		OZA577-H28	1347
124		OZA448-J2	6414
126		OZA582-J3	6446
		OZA582-J4	6447
127		ZSJ0002-HG002	6538
128		AZD0101-SU001	6545
		AZD0101-SU002	6547
		AZD0101-SU004	7668
		AZD0101-SU005	7671
137		OZA577-H27	1346





Length of wires

No. of wires

Connector No.



Stock No.

APRILIA

RSV 1000 R		1000	102	04.2004-		590	4	31	OZA591-SZ1	1767
RSV 1000 R Factory		1000	102	10.2003-	ROTAX	590	4	31	OZA591-SZ1	1767
Tuono 1000 R		1000	102	03.2006-	ROTAX	590	4	31	OZA591-SZ1	1767
Tuono 1000 R Factory		1000	102	03.2006-	ROTAX	590	4	31	OZA591-SZ1	1767

BMW

F 650 CS	K14/02	650	25	01.2004-12.2005		341	4	68	OZA630-BM3	0074
F 650 CS	K14	650	25	11.2001-12.2003		345	4	68	OZA457-EE12	97070
F 650 CS	K14/02	650	37	04.2004-12.2005		341	4	68	OZA630-BM3	0074
F 650 GS	K72	650	25	10.2007-		521	4	99	OZA630-BM2	0073
F 650 GS	R13Mü	650	25	12.2003-12.2007		341	4	68	OZA630-BM3	0074
F 650 GS		650	37	09.1999-12.2003		345	4	68	OZA457-EE12	97070
F 650 GS	K72	650	52	10.2007-		521	4	99	OZA630-BM2	0073
F 650 GS Dakar		650	37	09.1999-12.2003		345	4	68	OZA457-EE12	97070
G 650 Xchallenge	K15	650	39	03.2007-08.2011		231	4	99	OZA630-BM1	0072
G 650 Xcountry	K15	650	39	03.2007-08.2011		231	4	99	OZA630-BM1	0072
G 650 Xmoto	K15	650	39	03.2007-08.2011		231	4	99	OZA630-BM1	0072
F 800 GS	K72	800	63	10.2007-		521	4	99	OZA630-BM2	0073
F 800 R	K73/02	800	25	03.2009-		521	4	99	OZA630-BM2	0073
F 800 R	K73	800	25	12.2007-02.2009		521	4	99	OZA630-BM2	0073
F 800 R	K73	800	62	12.2006-02.2009		521	4	99	OZA630-BM2	0073
F 800 R	K73/02	800	64	03.2009-		521	4	99	OZA630-BM2	0073
F 800 S	K71	800	25	12.2005-		521	4	99	OZA630-BM2	0073
F 800 S	K71	800	62	12.2005-		521	4	99	OZA630-BM2	0073
F 800 ST	K71	800	25	09.2006-		521	4	99	OZA630-BM2	0073
F 800 ST	K71	800	62	09.2006-		521	4	99	OZA630-BM2	0073
R 850 R	R28	850	25	07.2002-08.2005		922	4	69	OZA522-BM1	0053
R 850 R	R28	850	52	07.2002-08.2005		922	4	69	OZA522-BM1	0053
R 850 RT	R22	850	52	03.2001-12.2004		922	4	69	OZA522-BM1	0053
R 1100 S	259S	1100	72	01.2003-01.2003		922	4	69	OZA522-BM1	0053
R 1150 GS	R21	1150	63	11.2001-12.2003		922	4	69	OZA522-BM1	0053
R 1150 GS Adventure	R21	1150	63	11.2001-09.2006		922	4	69	OZA522-BM1	0053
R 1150 R	R28	1150	63	10.2002-08.2005		922	4	69	OZA522-BM1	0053
R 1150 RS	R22	1150	70	05.2001-09.2004		922	4	69	OZA522-BM1	0053
R 1150 RT	R22	1150	70	03.2001-12.2004		922	4	69	OZA522-BM1	0053
HP2	K25HP	1200	77	12.2005-12.2006		231	4	99	OZA630-BM1	0072
HP2 Megamoto	K25HPMeg	1200	83	10.2007-10.2008		231	4	99	OZA630-BM1	0072
HP2 Sport	K29HP	1200	96	11.2007-04.2010		231	4	99	OZA630-BM1	0072
K 1200 GT	K41GT	1200	72	10.2002-08.2005		922	4	69	OZA522-BM1	0053
K 1200 GT	K41GT	1200	96	10.2002-08.2005		922	4	69	OZA522-BM1	0053
K 1200 GT	K44	1200	112	10.2002-10.2008		521	4	99	OZA630-BM2	0073
K 1200 LT	K589	1200	85	01.2004-07.2008		554	4	69	OZA522-BM2	0054
K 1200 R	K43	1200	120	03.2005-09.2008		521	4	99	OZA630-BM2	0073
K 1200 RS	K41	1200	72	01.2001-12.2004		922	4	69	OZA522-BM1	0053
K 1200 RS	K41	1200	96	01.2001-		922	4	69	OZA522-BM1	0053
K 1200 S	K40	1200	123	06.2004-09.2008		521	4	99	OZA630-BM2	0073
R 1200 C	259C	1200	45	06.2003-12.2004		922	4	53	OZA522-BM1	0053
R 1200 C	259C	1200	77	06.2003-12.2004		922	4	69	OZA522-BM1	0053
R 1200 CL	K30	1200	45	02.2002-12.2004		922	4	69	OZA522-BM1	0053
R 1200 GS	K25	1200	72	11.2003-01.2008		231	4	99	OZA630-BM1	0072
R 1200 GS	K25Mü	1200	77	10.2007-		231	4	99	OZA630-BM1	0072
R 1200 GS Adventure	K25Mü	1200	77	01.2008-		231	4	99	OZA630-BM1	0072





Length of wires

No. of wires

Connector No.



Stock No.

BMW

R 1200 R	K27	1200	81	12.2006-09.2010		231	4	99	OZA630-BM1	0072
R 1200 RT	K26	1200	81	10.2004-07.2009		231	4	99	OZA630-BM1	0072
R 1200 S	K29	1200	81	10.2005-12.2007		231	4	99	OZA630-BM1	0072
R 1200 ST	K28	1200	81	12.2004-07.2008		231	4	99	OZA630-BM1	0072
K 1300 GT	K44TÜ	1300	118	10.2008-		521	4	99	OZA630-BM2	0073
K 1300 R	K43Mü	1300	127	10.2008-		521	4	99	OZA630-BM2	0073
K 1300 S	K40Mü	1300	129	09.2008-		521	4	99	OZA630-BM2	0073

DUCATI

Monster 695		695	54	06.2004-07.2008		880	4	40	OZA591-BB3	0066
Monster 696		695	59	08.2008-	2x	420	4	31	OZA591-BA2	90520
Hypermotard 796		796	60	01.2010-	2x	320	4	31	OZA591-BA1	6496
Monster 796		796	64	08.2009-	2x	420	4	31	OZA591-BA2	90520
Monster S2R		796	57	04.2006-07.2008		880	4	40	OZA591-BB3	0066
848		848	99	09.2007-		880	4	40	OZA591-BB3	0066
848 S		848	99	09.2007-		880	4	40	OZA591-BB3	0066
Desmosedici RR		989	147	07.2007-12.2008		880	4	40	OZA591-BB3	0066
GT1000		992	68	01.2006-		880	4	40	OZA591-BB3	0066
Monster S2R 1000		1000	70	01.2006-07.2008		880	4	40	OZA591-BB3	0066
Monster S4RS		1000	96	06.2004-08.2008		880	4	40	OZA591-BB3	0066
Paul Smart 1000		1000	68	01.2006-07.2008		880	4	40	OZA591-BB3	0066
Sport 1000		1000	68	01.2006-		880	4	40	OZA591-BB3	0066
ST3		1000	79	01.2004-12.2007		880	4	40	OZA591-BB3	0066
ST3 S		1000	79	01.2004-12.2007		880	4	40	OZA591-BB3	0066
1098		1098	119	11.2006-12.2008		880	4	40	OZA591-BB3	0066
1098 R		1098	132	01.2008-		880	4	40	OZA591-BB3	0066
1098 S		1098	119	11.2006-12.2008		880	4	40	OZA591-BB3	0066
Streetfighter		1099	116	01.2009-		880	4	40	OZA591-BB3	0066
Streetfighter S		1099	116	01.2009-		880	4	40	OZA591-BB3	0066
Hypermotard		1100	70	08.2007-12.2009		880	4	40	OZA591-BB3	0066
Hypermotard 1100 Evo		1100	70	01.2010-	2x	320	4	31	OZA591-BA1	6496
Hypermotard 1100 Evo SP		1100	70	01.2010-	2x	320	4	31	OZA591-BA1	6496
Hypermotard S		1100	70	08.2007-12.2009		880	4	40	OZA591-BB3	0066
Monster 1100		1100	70	01.2009-12.2010		880	4	40	OZA591-BB3	0066
Monster 1100 Evo		1100	73	01.2011-	2x	420	4	31	OZA591-BA2	90520
Monster 1100 S		1100	70	01.2009-12.2010		880	4	40	OZA591-BB3	0066
Multistrada 1100		1100	70	06.2006-12.2009		880	4	40	OZA591-BB3	0066
Multistrada 1100 S		1100	70	06.2006-12.2009		880	4	40	OZA591-BB3	0066
1198		1198	125	01.2008-		880	4	40	OZA591-BB3	0066
1198 S		1198	125	01.2008-		880	4	40	OZA591-BB3	0066

HONDA

Zoomer 50		50	3	01.2005-		225	4	96	OZA577-H13	6475
Pantheon 125i		125	10	01.2005-		280	4	96	OZA577-H6	0065
PS 125 i		125	10	01.2006-		210	4	96	OZA577-H15	0064
PS 150 i		125	11	01.2006-		210	4	96	OZA577-H15	0064
S-Wing 125		125	10	01.2006-		210	4	96	OZA577-H15	0064
SH 125 i		125	10	01.2005-		210	4	96	OZA577-H15	0064
Pantheon 150i		150	12	01.2005-		280	4	96	OZA577-H6	0065
S-Wing 150		150	11	01.2006-		210	4	96	OZA577-H15	0064
S-Wing 150 ABS		150	11	01.2006-		210	4	96	OZA577-H15	0064
SH 150i		150	11	01.2005-		210	4	96	OZA577-H15	0064
SH 300		300	28	04.2007-		285	1	127	ZSJ0002-HG002	6538





Length of wires

No. of wires

Connector No.



Stock No.

HONDA

SH 300 ABS		300	28	04.2007-		285	1	127	ZSJ0002-HG002	6538
CBR 600 RR		600	88	01.2007-		675	4	80	OZA577-H24	6484
Hornet 600		600	75	02.2007-		500	4	80	OZA656-H3	6493
Silver Wing 600		600	37	02.2007-		440	4	96	OZA577-H22	6483
XL 680 Transalp		680	44	07.2008-		305	4	80	OZA656-H1	6491
VT 750		750	34	01.2007-	Sensor I	225	4	96	OZA577-H19	6476
VT 750		750	34	01.2007-	Sensor II	405	4	96	OZA577-H20	6477
VT 750 Shadow		750	34	01.2007-	Sensor I	225	4	96	OZA577-H19	6476
VT 750 Shadow		750	34	01.2007-	Sensor II	405	4	96	OZA577-H20	6477
VT 750 Shadow Spirit		750	34	01.2007-	Sensor I	225	4	96	OZA577-H19	6476
VT 750 Shadow Spirit		750	34	01.2007-	Sensor II	405	4	96	OZA577-H20	6477
VFR 800		800	80	01.1999-12.1999		510	4	96	OZA333-H16	6456
VFR 800		800	80	01.2000-12.2000		510	4	96	OZA333-H29	6459
VFR 800		800	80	01.2001-	Sensor I	340	4	96	OZA333-H30	6460
VFR 800		800	80	01.2001-	Sensor II	300	4	96	OZA333-H31	6462
CBF 1000		1000	72	01.2006-		990	4	80	OZA577-H17	0007
CBF 1000 ABS		1000	72	01.2006-		990	4	80	OZA577-H17	0007
CBR 1000 RR Fireblade		1000	126	01.2006-12.2007		865	4	80	OZA577-H21	6479
CBR 1000 RR Fireblade		1000	126	02.2004-12.2005		970	4	80	OZA577-H12	6473
CBR 1000 RR Fireblade		1000	131	01.2008-		930	4	105	AZD0102-HG009	6576
XL 1000 Varadeiro		1000	69	01.2003-12.2006		840	4	96	OZA577-H7	6471
XL 1000 Varadeiro		1000	69	01.2007-		880	4	96	OZA656-H2	6492
CBR 1100 XX Super Blackbird		1100	112	01.2003-12.2007		640	4	96	AZD0101-HG004	6543
CB 1300		1300	85	03.2008-	Sensor I	920		80	AZD0102-HG003	7664
CB 1300		1300	85	03.2008-	Sensor II	590	4	80	AZD0102-HG004	7665
CB 1300 S		1300	85	03.2008-	Sensor I	920		80	AZD0102-HG003	7664
CB 1300 S		1300	85	03.2008-	Sensor II	590	4	80	AZD0102-HG004	7665
Pan European		1300	93	01.2006-08.2007	Sensor I	530	4	96	OZA577-H4	6463
Pan European		1300	93	01.2006-08.2007	Sensor II	530	4	96	OZA577-H5	6469
Pan European		1300	93	09.2007-	Sensor I	530	4	96	OZA656-H5	6494
Pan European		1300	93	09.2007-	Sensor II	530	4	96	OZA656-H6	6495
GL 1800 Gold Wing		1800	87	01.2004-	Sensor I	780	4	137	OZA577-H27	1346
GL 1800 Gold Wing		1800	87	01.2004-	Sensor II	840	4	105	OZA577-H28	1347
GL 1800 Gold Wing		1800	87	01.2007-	Sensor I	700	4	96	AZD0101-HG001	6539
GL 1800 Gold Wing		1800	87	01.2007-	Sensor II	750	4	96	AZD0101-HG002	6540
VTX 1800		1800	71	01.2003-12.2005		450	4	96	AZD0101-HG003	6541

HUSQVARNA

SM 450 R		450	14	09.2007-		410	4	97	OZA591-WB1	0010
TE 450		450	21	09.2007-		410	4	97	OZA591-WB1	0010
SM 510 R		510	14	09.2007-		410	4	97	OZA591-WB1	0010
SM 610		610	39	10.2006-		410	4	97	OZA591-WB1	0010

HYOSUNG

GT 650i		650	25	01.2007-		410	4	97	OZA591-WB1	0010
GT 650i		650	60	01.2007-		410	4	97	OZA591-WB1	0010
GV 650i		650	24	01.2007-		410	4	97	OZA591-WB1	0010
GV 650i		650	59	01.2007-		410	4	97	OZA591-WB1	0010

KAWASAKI

ZX-6R Ninja		600	25	01.2007-	Sensor I	235	4	34	AZD0101-KJ002	6552
ZX-6R Ninja		600	25	01.2007-	Sensor II	235	4	34	AZD0101-KJ006	6559
ZX-10R		1000	128	11.2005-05.2006		345	4	80	AZD0101-KJ001	6551





Length of wires

No. of wires

Connector No.



Stock No.

KAWASAKI

ZX-10R		1000	129	01.2008-	Sensor I	660	4	34	AZD0102-KJ003	6568
ZX-10R		1000	129	01.2008-	Sensor II	760	4	34	AZD0102-KJ004	6574
ZX-10R		1000	129	06.2006-12.2007	Sensor I	345	4	34	AZD0101-KJ004	6556
ZX-10R		1000	129	06.2006-12.2007	Sensor II	500	4	80	AZD0101-KJ005	6558
ZZR 1400		1400	72	01.2007-12.2007	Sensor I	345	4	34	AZD0101-KJ004	6556
ZZR 1400		1400	72	01.2007-12.2007	Sensor II	275	4	34	AZD0101-KJ008	6561
ZZR 1400		1400	140	01.2007-	Sensor I	345	4	34	AZD0101-KJ004	6556
ZZR 1400		1400	140	01.2007-	Sensor II	275	4	34	AZD0101-KJ008	6561
ZZR 1400		1400	142	01.2008-		235	4	34	AZD0102-KJ001	6567

KTM

690 Duke		690	48	03.2008-		500	4	80	AZD0101-VB002	7673
690 Enduro		690	45	03.2008-		500	4	80	AZD0101-VB002	7673
690 SMC		690	45	03.2008-		500	4	80	AZD0101-VB002	7673
690 Supermoto		690	47	03.2007-		500	4	80	AZD0101-VB002	7673
690 Supermoto R		690	46	03.2008-		500	4	80	AZD0101-VB002	7673
990 Adventure		990	25	01.2006-		500	4	97	OZA591-VB2	0009
990 Adventure		990	72	01.2006-		500	4	97	OZA591-VB2	0009
990 Adventure S		990	72	01.2006-		500	4	97	OZA591-VB2	0009
990 Superduke		990	88	01.2006-		500	4	97	OZA591-VB2	0009
990 Superduke R		990	88	01.2006-		500	4	97	OZA591-VB2	0009
990 Supermoto		990	85	03.2008-		500	4	97	OZA591-VB2	0009

KYMGCO

People S 200i		200	8	01.2007-		500	4	80	AZD0101-BA001	7667
Yager GT 200i		200	11	06.2006-		590	4	31	OZA591-YB1	0011
People S 250i	D21000	250	15	01.2007-		500	4	80	AZD0101-BA001	7667
Venox 250 AFI		250	21	06.2006-		590	4	31	OZA591-YB1	0011
Xciting 250i		250	16	06.2006-		590	4	31	OZA591-YB1	0011

MOTO GUZZI MC

Breva V 750 i.e.		750	25	01.2003-12.2005		310	4	40	OZA341-BB1	0036
Breva V 750 i.e.		750	36	01.2003-		310	4	40	OZA341-BB1	0036
Breva V 750 i.e.		750	36	01.2006-		310	4	40	OZA591-BB2	1710
Nevada V 750 i.e.		750	36	01.2006-		310	4	40	OZA591-BB2	1710
Breva V 850 i.e.		850	53	01.2006-		310	4	40	OZA591-BB2	1710
Griso V 850 i.e.		850	56	01.2006-		310	4	40	OZA591-BB2	1710
Norge V 850 i.e.		850	53	01.2006-		310	4	40	OZA591-BB2	1710
Breva V 1100		1100	62	03.2004-12.2005		310	4	40	OZA341-BB1	0036
Breva V 1100 i.e.		1100	63	01.2006-		310	4	40	OZA591-BB2	1710
California Classic		1100	55	01.2006-		310	4	40	OZA591-BB2	1710
California Classic		1100	55	01.2006-12.2006		310	4	40	OZA341-BB1	0036
California EV		1100	55	03.2004-12.2005		310	4	40	OZA341-BB1	0036
California EV Touring		1100	55	03.2004-12.2005		310	4	40	OZA341-BB1	0036
California Touring		1100	55	01.2006-		310	4	40	OZA341-BB1	0036
California Vintage		1100	55	01.2006-		310	4	40	OZA341-BB1	0036
California Vintage		1100	55	01.2006-		310	4	40	OZA591-BB2	1710
Griso V 1100 i.e.		1100	65	01.2006-		310	4	40	OZA591-BB2	1710
V11 Cafè Sport		1100	67	03.2004-12.2004		310	4	40	OZA341-BB1	0036
V11 Coppa Italia		1100	67	03.2004-12.2005		310	4	40	OZA341-BB1	0036
V11 Le Mans		1100	67	03.2004-12.2005		310	4	40	OZA341-BB1	0036
V11 Le Mans Nero		1100	67	03.2004-12.2005		310	4	40	OZA341-BB1	0036
V11 Le Mans Rosso Corsa		1100	67	03.2004-12.2005		310	4	40	OZA341-BB1	0036
V11 Scura R		1100	67	01.2005-12.2005		310	4	40	OZA341-BB1	0036





Length of wires
No. of wires
Connector No.



Stock No.

MOTO GUZZI MC

V11 Sport Ballabio		1100	67	03.2004-12.2005		310	4	40	OZA341-BB1	0036
Norge V 1200 i.e.		1200	66	01.2006-		310	4	40	OZA591-BB2	1710
Sport V 1200 i.e.		1200	70	01.2006-		310	4	40	OZA591-BB2	1710
Stelvio 1200 4V		1200	81	01.2009-		310	4	40	OZA591-BB2	1710

MOTO MORINI

9 1/2 1200		1200	86	01.2005-		310	4	40	OZA591-BB2	1710
Corsaro 1200		1200	103	01.2005-		310	4	40	OZA591-BB2	1710

MV AGUSTA

F4 Brutale 910		910	100	10.2006-12.2008		310	4	40	OZA591-BB2	1710
Brutale 989 R		989	104	01.2009-		310	4	40	OZA591-BB2	1710
F4 1000 CC		1000	141	07.2007-12.2008		310	4	40	OZA591-BB2	1710
F4 1000R		1000	128	10.2006-12.2008		310	4	40	OZA591-BB2	1710
Brutale 1078 RR		1078	108	01.2009-		310	4	40	OZA591-BB2	1710
F4 1078 RR		1078	140	01.2009-		310	4	40	OZA591-BB2	1710

PEUGEOT

Geopolis 125		125	11	03.2006-		590	4	31	OZA591-SZ1	1767
Satelis 125		125	11	03.2006-		590	4	31	OZA591-SZ1	1767
Satelis 125 K15 Compressor		125	11	03.2006-		590	4	31	OZA591-SZ1	1767
Satelis 125 K20 Compressor		125	15	03.2006-		590	4	31	OZA591-SZ1	1767

ROYAL ENFIELD

Bullet 500 Classic		500	20	01.2009-		500	4	80	AZD0101-VB001	7672
Bullet 500 Electra		500	20	01.2009-		500	4	80	AZD0101-VB001	7672

SUZUKI

RV 125 VanVan		125	9	01.2007-		460	4	128	AZD0101-SU002	6547
GSX-R 600		600	91	01.2008-		710	4	128	AZD0101-SU005	7671
AN 650 Burgman		650	40	01.2003-12.2003		720	4	80	OZA523-J1	1333
DL 650 V-Strom		650	25	03.2006-		365	4	80	OZA591-J2	6454
DL 650 V-Strom		650	49	03.2006-		365	4	80	OZA591-J2	6454
SV 650		650	25	01.2007-		710	4	128	AZD0101-SU005	7671
SV 650		650	53	01.2007-		710	4	128	AZD0101-SU005	7671
SV 650 S		650	25	02.2007-		710	4	128	AZD0101-SU005	7671
SV 650 S		650	53	02.2007-		710	4	128	AZD0101-SU005	7671
GSX-R 750		750	110	01.2008-		710	4	128	AZD0101-SU005	7671
VL 800 Intruder		800	39	05.2004-		610	4	128	AZD0101-SU001	6545
DL 1000 V-Strom		1000	72	05.2002-12.2006		480	4	124	OZA448-J2	6414
GSX-R 1000		1000	136	01.2007-		235	4	128	AZD0101-SU004	7668
TL 1000		1000	92	05.2007-12.2007		630	4	80	OZA448-J3	6415
Bandit 1200		1200	72	11.2006-12.2007		710	4	128	AZD0101-SU005	7671
Bandit 1200 S		1200	72	11.2006-12.2007		710	4	128	AZD0101-SU005	7671
GSX-R 1300 Hayabusa		1300	129	05.2002-12.2006		420	4	80	OZA448-J1	6413
GSX-R 1300 Hayabusa		1300	129	05.2007-		235	4	128	AZD0101-SU004	7668
VL 1500 Intruder		1500	49	01.2006-		460	4	128	AZD0101-SU002	6547
M 1800 R		1800	92	04.2006-12.2007		370	4	80	OZA448-J5	0004
VZR 1800 Intruder		1800	92	01.2008-		370	2	126	OZA582-J3	6446
VZR 1800 Intruder		1800	92	01.2008-		203	2	126	OZA582-J4	6447

TRIUMPH

Daytona 600		600	72	01.2003-		640	4	97	OZA591-UB1	0067
Daytona 600		600	82	01.2003-		640	4	97	OZA591-UB1	0067
Daytona 600		600	82	01.2003-12.2005		640	4	97	OZA591-UB1	0067





Length of wires

No. of wires

Connector No.



Stock No.

TRIUMPH

Speed Four		600	25	01.2002-		640	4	97	OZA591-UB1	0067
Speed Four		600	72	01.2002-		640	4	97	OZA591-UB1	0067
Daytona 675		675	25	01.2007-		500	4	80	AZD0101-VB003	7689
Street Triple 675		675	25	01.2008-		500	4	80	AZD0101-VB003	7689
Street Triple 675		675	78	01.2008-		500	4	80	AZD0101-VB003	7689
America		865	25	01.2007-		500	4	80	AZD0101-VB003	7689
America		865	41	01.2007-		500	4	80	AZD0101-VB003	7689
Bonneville		865	25	01.2007-		500	4	80	AZD0101-VB003	7689
Bonneville		865	50	01.2007-		500	4	80	AZD0101-VB003	7689
Scrambler		865	25	01.2007-		500	4	80	AZD0101-VB003	7689
Scrambler		865	42	01.2007-		500	4	80	AZD0101-VB003	7689
Thruxton		865	25	01.2007-		500	4	80	AZD0101-VB003	7689
Thruxton		865	51	01.2007-		500	4	80	AZD0101-VB003	7689
Thunderbird Sport		900	67	01.2003-12.2004		640	4	97	OZA591-UB1	0067
Daytona 955i		955	72	01.2001-		640	4	97	OZA591-UB1	0067
Daytona 955i		955	108	01.2001-		640	4	97	OZA591-UB1	0067
Speed Triple		955	72	01.2001-12.2005		640	4	97	OZA591-UB1	0067
Speed Triple		955	108	01.2001-		640	4	97	OZA591-UB1	0067
Sprint RS		955	72	01.2001-12.2004		640	4	97	OZA591-UB1	0067
Sprint ST		955	72	01.2001-12.2004		640	4	97	OZA591-UB1	0067
Tiger		955	72	01.2003-12.2004		640	4	97	OZA591-UB1	0067
Tiger		955	78	01.2004-12.2006		640	4	97	OZA591-UB1	0067
Speed Triple		1050	72	01.2006-12.2007		640	4	97	OZA591-UB1	0067
Speed Triple		1050	72	01.2008-		500	4	80	AZD0101-VB002	7673
Speed Triple		1050	95	01.2005-12.2007		640	4	97	OZA591-UB1	0067
Speed Triple		1050	97	01.2008-		500	4	80	AZD0101-VB002	7673
Sprint ST		1050	72	01.2005-12.2007		640	4	97	OZA591-UB1	0067
Sprint ST		1050	72	01.2008-		500	4	80	AZD0101-VB002	7673
Sprint ST		1050	92	01.2005-		640	4	97	OZA591-UB1	0067
Sprint ST		1050	93	01.2008-		500	4	80	AZD0101-VB002	7673
Tiger		1050	72	01.2007-		500	4	80	AZD0101-VB002	7673
Tiger		1050	84	01.2007-		500	4	80	AZD0101-VB002	7673
Thunderbird		1600	59	01.2009-		250	4	80	AZD0101-VB004	7690
Rocket III		2300	72	01.2005-12.2006		535	4	97	OZA591-UB2	0008
Rocket III		2300	72	01.2007-		500	4	80	AZD0101-VB002	7673
Rocket III		2300	103	01.2005-		535	4	97	OZA591-UB2	0008
Rocket III		2300	103	01.2007-		500	4	80	AZD0101-VB002	7673
Rocket III		2300	104	01.2004-12.2004		535	4	97	OZA591-UB2	0008
Rocket III Classic		2300	72	01.2006-12.2006		535	4	97	OZA591-UB2	0008
Rocket III Classic		2300	103	01.2006-		535	4	97	OZA591-UB2	0008







CROSS REFERENCE GUIDE



IGNITION
PARTS



Industry

ACDELCO	→ NGK	Quick
41XL	B9ES	Q202
42F	B6HS	Q203
42FF	B6HS	Q203
42FS	BP6HS	
42XL	B8ES	Q201
42XLS	BP6ES	
43F	B6HS	Q203
43FFS	BP6HS	
43FS	BP6HS	
43N	B7ES	
43XL	B7ES	
43XLS	BP6ES	
44	B6S	Q302
44F	B5HS	
44FF	B5HS	
44FFS	BP5HS	
44N	B6ES	
44NS	BP5ES	
44XL	B6ES	
44XLO	BP5ES	
44XLS	BP5ES	
45	B-4	
45F	B5HS	
45FF	B5HS	
45FFS	BP5HS	
45NS	BP5ES	
45XL	B6ES	
45XLS	BP5ES	
46	B-4	
46F	B5HS	
46FF	B5HS	
46FFS	BP5HS	
46N	B5ES	
46XL	B5ES	
47FF	B-4H	
47S	BP-4	
47XL	B4ES	
48	B-4	
414XLS	BP6ES	
420Z	B-4H	
422Z	B5HS	
425F	B6HS	Q203
425Z	B6HS	Q203
426FS	BP6HS	
430Z	B7HS	Q204
438XLS	BP8ES	
440XLS	BP8ES	
445Z	B8HS	Q205
41601	BPR6ES	
B43	B6S	Q302
B44FS	BP5HS	
B45	B-4	
B4021	B6S	Q302

ACDELCO	→ NGK	Quick
B4031	B-4	
C41	B7S	
C42CFS	BP6HS	
C42CLTS	BP6EFS	
C42CXLS	BP6ES	
C42LTS	BP6EFS	
C42N	B7ES	
C42XLS	BP5ES	
C43	B6S	Q302
C43CXLS	BP6ES	
C43L	B-6L	
C43N	B6ES	
C44	B6S	Q302
C44N	B6ES	
C44NS	BP5ES	
C44XL	B6ES	
C45	B-4	
C46	B-4	
C47	B-4	
C47W	B-4	
C81	AB-8	
C82	AB-7	
C83	AB-7	
C85	AB-6	
C86	AB-6	
C87	AB-6	
C421	B6S	Q302
CFR2CLS	BKR6ES	
CR42CXLS	BPR6ES	
CR42N	BR7ES	
CR43	BR6S	
CR43CXLS	BPR6ES	
CR43K	BR6S	
CR43N	BR6ES	
CR44N	BR6ES	
CR44NS	BPR5ES	
CS45	BM6A	
CSR45	BMR6A	
FR2LS	BKR6ES	
FR2LSK	BKR6ES	
FR3CLS	BKR5ES	
FR3LS	BKR5ES	
FR3LSK	BKR5ES	
FR5LS	BKR5ES	
M40FF	B9HS	
M40FFX	B9HS-10	
M41FF	B8HS	Q205
M41K	B8S	
M42FF	B7HS	Q204
M42K	B7S	
M43FF	B6HS	Q203
M44B	B6S	Q302
M44C	B6S	Q302



ACDELCO	→ NGK	Quick
M44L	B-6L	
M45	B-4	
M45FF	B5HS	
M47	B-4	
M86	AB-6	
MB42K	B6S	Q302
MC41	B8S	
MC41F	B8HS	Q205
MC42	B8S	
MC42F	B7HS	Q204
MC44	B7S	
MC104F	C6HSA	
MC122F	D8HA	
MC124FS	D6HA	
MR42K	BR6S	
MR44C	BR6S	
MR45	B-4	
R41CF	BR7HS	Q211
R41CXL	BR9ES	Q208
R41CXLS	BPR7ES	
R42CF	BR6HS	Q209
R42CFS	BPR6HS	Q214
R42CXL	BR8ES	Q207
R42CXLS	BPR6ES	
R42FS	BPR6HS	Q214
R42XL	BR8ES	Q207
R42XLS	BPR6ES	
R42XLSM	ZGR5C	
R43	BR6S	
R43C	BR6S	
R43CFS	BPR6HS	Q214
R43CXL	BR7ES	
R43CXLS	BPR6ES	
R43FS	BPR6HS	Q214
R43N	BR7ES	
R43XL	BR7ES	
R43XLS	BPR6ES	
R44	BR6S	
R44CF	BR5HS	
R44CXL	BR6ES	
R44CXLS	BPR5ES	
R44F	BR5HS	
R44N	BR6ES	
R44NS	BPR5ES	
R44XL	BR6ES	
R44XLS	BPR5ES	
R44XLSE	ZGR5C	
R44XLSM	ZGR5C	
R45	BR6S	
R45NS	BPR5ES	
R45XL	BR6ES	
R45XLS	BPR5ES	
R46	BR6S	

ACDELCO	→ NGK	Quick
R46N	BR5ES	
R46S	BP-4	
R46XL	BR5ES	
R46XLS	BPR4ES	
R47S	BP-4	
R426FS	BPR6HS	Q214
S40F	B9HS	
S40FR	BR9HS	
S40XL	B10ES	
S40XLR	BR8ES	Q207
S41F	B8HS	Q205
S41FG	B7HCS	
S41FR	BR8HS	Q212
S41XL	B9ES	Q202
S41XLR	BR9ES	Q208
S42	B7S	
S42F	B7HS	Q204
S42FR	BR7HS	Q211
S42XL	B8ES	Q201
S42XLR	BR8ES	Q207
S43XL	B7ES	
S43XLR	BR7ES	
S44	B6S	Q302
S44F	B5HS	
S44XL	B6ES	
S45F	B5HS	
S46	B-4	
S81F	AB-8	
S82F	AB-8	
S83F	AB-7	
S85F	AB-6	
S102F	C7HSA	
S104F	C6HSA	
S121F	D8HA	
S121XL	D8EA	Q216
S122F	D8HA	
S123XL	D7EA	
S124FS	D6HA	
S404XLG	B10EG	
S408XLG	B9EG	
SB41	B7S	
SN46	B-4	
SV4XL	BUE	
SV41XL	BUE	
TC42	B8S	
TC45	B6S	Q302
TC81	AB-8	
TC82	AB-8	
TC83	AB-7	
TC85	AB-6	
TC86	AB-6	
AUTOLITE	→ NGK	Quick
53	BP6ES	





Industry

AUTOLITE	→ NGK	Quick
54	BP6ES	
55	BP5ES	
56	BP5ES	
63	BPR6ES	
64	BPR6ES	
65	BPR5ES	
66	BPR5ES	
67	BPR4ES	
77	BP-4	
86	BP-4	
87	BP-4	
215	B-6L	
216	B-6L	
235	BM6A	
245	BMR6A	
254	BM6A	
255	BM6A	
273	BP6HS	
274	BP6HS	
275	BP5HS	
276	BP5HS	
283	BPR7HS	Q215
284	BPR6HS	Q214
292	B8S	
294	B6S	Q302
295	B-4	
297	B-4	
302	BR6S	
303	BR6S	
304	BR6S	
306	B-4	
312	B8S	
313	B7S	
314	B6S	Q302
315	B6S	Q302
316	B6S	Q302
317	B-4	
353	B8S	
354	B6S	Q302
355	B6S	Q302
356	B-4	
357	B-4	
363	BR6S	
372	AB-8	
373	AB-7	
374	AB-7	
375	AB-6	
376	AB-6	
377	AB-6	
378	AB-6	
386	AB-6	
393	B7ES	
394	B6ES	

AUTOLITE	→ NGK	Quick
395	B5ES	
396	B5ES	
397	B5ES	
398	B4ES	
402	BR8ES	Q207
403	BR6ES	
404	BR6ES	
405	BR5ES	
406	BR5ES	
411	B9HS	
413	B7HS	Q204
414	B6HS	Q203
415	B5HS	
416	B5HS	
417	B-4H	
424	B6HS	Q203
425	BR5HS	
426	BR5HS	
436	B-6L	
494	B-6L	
495	B-6L	
515	BP5HS	
516	BP5HS	
517	BP-4H	
535	B5HS	
536	B-4H	
915	ZGR5C	
925	ZGR5C	
935	BPR5ES	
945	BPR5ES	
996	B-6L	
2272	AB-7	
2413	R7376-10	
2414	B10EG	
2415	B9EG	
2416	B8EG	
2585	BPR5ES	
2592	B10ES	
2593	B9ES	Q202
2594	B9ES	Q202
2611	B10ES	
2612	B9ES	Q202
2613	B9ES	Q202
2614	B8ES	Q201
2615	B7ES	
2616	B6ES	
2634	B9HS-10	
2635	B8HS	Q205
2636	B7HS	Q204
2652	B9HS-10	
2653	B7HS	Q204
2654	B7HS	Q204
2655	B6HS	Q203



AUTOLITE	→ NGK	Quick
2656	B5HS	
2675	B-6L	
2676	B-6L	
2695	AB-8	
2696	AB-7	
2697	AB-6	
2715	D8HA	
2716	D6HA	
2735	D6HA	
2755	D8EA	Q216
2772	AB-8	
2775	AB-6	
2794	C8HSA	
2795	C7HSA	
2796	C6HSA	
2892	BUHX	
2932	BUE	
2974	BPM7A	
3012	B8S	
3013	B7S	
3014	B6S	Q302
3017	B-4	
3035	AB-6	
3116	AB-6	
3203	BPR6ES	
3204	BPR6ES	
3205	BPR5ES	
3206	BPR5ES	
3207	BPR5ES	
3325	B-6L	
3364	BPR6HS	Q214
3382	BR6S	
3383	BR6S	
3384	BR6S	
3386	BR6S	
3388	BR6S	
3423	B8S	
3426	BR6S	
3462	BR7ES	
3463	BR6ES	
3464	BR6ES	
3465	BR5ES	
3466	BR5ES	
3485	BR5HS	
3486	BR5HS	
3507	B-6L	
3684	BR7HS	Q211
3686	BR6HS	Q209
3702	BR9ES	Q208
3703	BR9ES	Q208
3704	BR8ES	Q207
3705	BR6ES	
3706	BR6ES	

AUTOLITE	→ NGK	Quick
3885	ZGR5C	
3896	ZGR5C	
3924	BKR6ES	
3926	BKR5ES	
3954	D8EA	Q216
3964	DR8ES-L	Q218
4043	BPR6ES-11	
4052	B9ES	Q202
4053	B9ES	Q202
4054	B8ES	Q201
4055	B7ES	
4056	B6ES	
4062	BR9ES	Q208
4063	BR9ES	Q208
4092	B7HS	Q204
4093	B7HS	Q204
4113	BP6HS	
4114	BP6HS	
4123	BPR6HS	Q214
4132	D8EA	Q216
4143	DR8ES-L	Q218
4152	DP9EA-9	
4153	DP8EA-9	
4162	DPR7EA-9	Q220
4163	DR8ES-L	Q218
4164	D7EA	
4173	D8HA	
4193	C7HSA	
4203	CR7HS	
4251	BP8ES	
4253	BP6ES	
4263	BPR6ES	
4265	BPR5ES	
5224	BKR5E	
BERU	→ NGK	Quick
14F5DU	BCP7ES	
14F6DSR	BKR6ES	
14F6DU0R	BKR6ES	
14F7DU0R	BKR6ES	
14FGH6DTUR	BKUR6ET	
14FR6DU	BKR6ES	
14FR6LDUW	BKR6EKC	
14FR7DU	BKR6ES	
14FR8DU	BKR5ES	
14K6D	BP6EFS	
14K6DU	BP6EFS	
14K6DU0	BP6EFS	
14K7D	BP6EFS	
14K7DU	BP6EFS	
14K7DU0	BP6EFS	
14KR8MPX	PTR5A-13	
14KR8MUV	PTR5A-13	
14R5DU	BPR7ES	



BERU	→ NGK	Quick
14R6B	BPR6HS	Q214
14R6BU	BPR6HS	Q214
14R6D	BPR6ES	
14R6DU	BPR6ES	
14R6DUX	BPR6ES-11	
14R7B	BPR6HS	Q214
14R7BU	BPR6HS	Q214
14R7CU	BR6ES	
14R7D	BPR6ES	
14R7DU	BPR6ES	
14R7DUX	BPR6ES-11	
14R8DU	BPR5ES	
14R8DUX	BPR5ES-11	
14R9DU	BPR5ES	
14R9EU0	BR4-LM	
14R11F	BP-4	
14S5F	BPM7A	
14S7F	BPM6A	
14S8F	BPM6A	
14SR6F	BPMR6A	
14XAU	B6HS	Q203
14Z2C1	BR9EIX	
14Z3A1	B9HS	
14Z3AU	B9HS	
14Z3C1	B9ES	Q202
14Z3CU	B9ES	Q202
14Z4AU	B8HS	Q205
14Z6A2	B6HS	Q203
14Z7AU	B7HS	Q204
95/14	B-4H	
95/14/3	B4ES	
95/14/5	B-4	
95/14/5A	BP-4	
95/14A	BP4HS	
95/18	AB-6	
125/14/3	B5ES	
125/14/3A	BP5ES	
125DU	D7EA	
142AS1	B9HCS	
143A1	B8HS	Q205
143AS1	BR8HIX	
143AU	B8HS	Q205
143CS1	BR8EIX	
143DP2	BR8EIX	
144A1	B8HS	Q205
144A2	B7HS	Q204
144AS1	BR8HIX	
144AU	B7HS	Q204
144B2	BP7HS	
144C1	B8ES	Q201
144C2	B7ES	
144CS1	BR8EIX	
145/1A	BP5HS	

BERU	→ NGK	Quick
145/14	B5HS	
145/14/3	B5ES	
145/14/3A	BP5ES	
145/14/5	B-4	
145/14/5AMX	BPM6A	
145/18	AB-6	
145A	B7HS	Q204
145AU	B7HS	Q204
145B	BP7HS	
145BU	BP7HS	
145C	B7ES	
145E	B7S	
146B	BP6HS	
146BU	BP6HS	
146C	B6ES	
146D	BP6ES	
146D1	BP6ES	
146DP0	BP6ES	
146DU	BP6ES	
147A	B6HS	Q203
147AU	B6HS	Q203
147B	BP6HS	
147BU	BP6HS	
147C	B6ES	
147CU	B6ES	
147D	BP6ES	
147DU	BP6ES	
147E	B6S	Q302
148A	B5HS	
148AU	B5HS	
148B	BP5HS	
148BU	BP5HS	
148C	B5ES	
148C1	B6ES	
148D	BP5ES	
148DU	BP5ES	
148E	B-4	
148LUR	ZGR5A	
149C	B5ES	
149D	BP5ES	
149DU	BP5ES	
160/14/3	B6ES	
175/14	B6HS	Q203
175/14/3	B6ES	
175/14/3A	BP6ES	
175/14/5	B6S	Q302
175/14/5AMX	BPM6A	
175/14A	BP6HS	
175/18	AB-6	
184A1	AB-7	
184A2	AB-7	
185A	AB-7	
185AS	AB-7	

BERU	→ NGK	Quick
185AU	AB-7	
187A	AB-6	
187AU	AB-7	
188A	AB-6	
190/14Z	B6HS	Q203
200/14/3	B6ES	
200/14/3A	BP6ES	
200/14/3K	BP6EFS	
200/14A	BP6HS	
215/14/3A	BP6ES	
225/14	B7HS	Q204
225/14/3	B7ES	
225/14/5	B7S	
225/14/5AMX	BPM7A	
225/14A	BP7HS	
225/18	AB-7	
225/18S	AB-7	
240/14	B7HS	Q204
240/14/3	B7ES	
240/14A	BP7HS	
240/14S	BR8HIX	
240/18	AB-7	
260/14	B8HS	Q205
260/14/3	B8ES	Q201
260/14S	BR8HIX	
260/18	AB-8	
265/14/3P	BR8EIX	
280/14	B8HS	Q205
280/14/3S	BR8EIX	
280/14/3Z	B9ES	Q202
280/14Z	B9HS	
310/14/3Z	BR9EIX	
310/14S	B9HCS	
1410A	B-4H	
1410B	BP4HS	
1410C	B4ES	
1410E	B-4	
1410F	BP-4	
1810A	AB-6	
1810AU	AB-6	
0001245700	D7EA	
0001325701	BP5ES	
0001330702	BP5ES	
0001330718	ZGR5A	
0001335702	BP6ES	
0001335707	B6ES	
0001335729	BKR6ES	
0001340103	BKUR6ET	
0001340702	BP6ES	
0001340723	BKR6ES	
0001340806	BKR6ES	
0001340903	BP6ES	
0001345720	BCP7ES	

BERU	→ NGK	Quick
0001355700	B9ES	Q202
0001400701	B6HS	Q203
0001430700	BP5HS	
0001430701	B5HS	
0001435700	BP6HS	
0001435705	B6HS	Q203
0001440700	BP6HS	
0001445700	BP7HS	
0001445702	B7HS	Q204
0001450702	B8HS	Q205
0001455702	B9HS	
0001529302	B-4	
0001635700	BP6EFS	
0001635709	BP6EFS	
0001640700	BP6EFS	
0001640704	BP6EFS	
0001640705	BP6EFS	
0001820700	AB-6	
0001835700	AB-7	
0001845700	AB-7	
0002325700	BPR5ES	
0002330701	BPR5ES	
0002330702	BPR5ES-11	
0002330703	BKR5ES	
0002335701	BPR6ES	
0002335704	BR6ES	
0002335706	BPR6ES-11	
0002335707	BKR6ES	
0002340504	BKR6EKC	
0002340701	BPR6ES	
0002340702	BKR6ES	
0002340703	BPR6ES-11	
0002345701	BPR7ES	
0002435701	BPR6HS	Q214
0002515400	BP-4	
0002630701	PTR5A-13	
0002640900	PTR5A-13	
0004525701	BR4-LM	
0004535402	BPM6A	
0004540401	BPMR6A	
0004545401	BPM7A	
D175/14	B6HS	Q203
D175/14/3	B6ES	
D200/14/3A	BP6ES	
D215/14/3	B7ES	
RS35	BPR6EIX	
Z1	BP5ES	
Z3	ZGR5A	
Z9	BPR5ES-11	
Z11	BP6ES	
Z13	BKR6ES	
Z15	BKR6ES	
Z17	BP6EFS	



BERU	→ NGK	Quick
Z18	BP6EFS	
Z19	BPR6HS	Q214
Z20	BPR6ES	
Z21	BPR6ES-11	
Z22	BP6ES	
Z23	BKR6ES	
Z24	BKR6ES	
Z25	BP6EFS	
Z27	BPR6ES	
Z28	BPR6ES-11	
Z29	BCP7ES	
Z35	D7EA	
Z37	B9HS	
Z38	B9ES	Q202
Z39	B8HS	Q205
Z40	B7HS	Q204
Z41	BP7HS	
Z47	BPR7ES	
Z48	BP6HS	
Z55	BP6EFS	
Z56	BP6EFS	
Z57	B6HS	Q203
Z58	B6ES	
Z59	BR6ES	
Z68	B5HS	
Z72	BKR5ES	
Z76	BP5ES	
Z82	BPR5ES	
Z84	BR4-LM	
Z85	B6HS	Q203
Z86	AB-7	
Z87	AB-7	
Z88	AB-6	
Z89	BKUR6ET	
Z97	PTR5A-13	
Z104	BP6ES	
Z105	BKR6ES	
Z106	BP6MR6A	
Z107	BP-4	
Z112	B-4	
Z118	BP5HS	
Z132	BPM6A	
Z177	PTR5A-13	
Z245	BKR6EKC	
Z265	BPM7A	
BOSCH	→ NGK	Quick
+1	BPR6ES	
+3	BPR5ES	
+6	BKR5ES	
+7	BKR6EKC	
+8	BKR6ES	
+10	BPR6HS	Q214
+12	BPR6ES	

BOSCH	→ NGK	Quick
+13	BKR6ES	
+15	BPR7ES	
+16	BPR5ES	
+17	PTR5A-13	
+20	BPR5HS	
+21	BPR6ES-11	
+22	BPR5ES-11	
+27	BPR5ES-11	
+34	ZGR5A	
8771207	R2349-10	
0241050002	C6HSA	
0241056501	C7E	
0241145003	DP7EA-9	
0241145500	DP7EA-9	
0241145504	DP7EA-9	
0241145507	D8EA	Q216
0241150502	D8EA	Q216
0241209003	B-4H	
0241219536	BP-4	
0241219540	B-4H	
0241219541	B4ES	
0241219543	B-4H	
0241219554	B-4	
0241225013	BP5ES	
0241225545	BP5ES	
0241225547	B4ES	
0241225548	B-4	
0241225549	B5HS	
0241225550	BP5ES	
0241225556	BP5ES	
0241225585	ZGR5A	
0241225593	BP5ES	
0241229059	ZGR5A	
0241229061	BP5ES	
0241229062	BP5ES	
0241229560	BM6A	
0241229561	BPM6A	
0241229574	BP5ES	
0241229578	BP5HS	
0241229579	B5ES	
0241229580	B6S	Q302
0241229588	BP5ES	
0241229604	B5HS	
0241229612	B5HS	
0241229641	BP5HS	
0241229684	BKR5ES	
0241229714	BP5HS	
0241229715	BP5ES	
0241229926	BP5ES	
0241235089	B6ES	
0241235098	B6ES	
0241235099	BPR6ES	
0241235563	BP6ES	

BOSCH	→ NGK	Quick
0241235564	BP6HS	
0241235566	BM6A	
0241235567	BPM6A	
0241235574	B6ES	
0241235585	BP6HS-10	
0241235594	B6S	Q302
0241235602	BP6ES	
0241235635	BP6EFS	
0241235636	BP6EFS	
0241235668	BP6EFS	
0241235681	BP6EFS	
0241235736	BKR6ES	
0241235753	BP6EFS	
0241235754	BP6HS	
0241235755	BP6ES	
0241240524	BP6EFS	
0241240530	BP6ES	
0241240532	BP6HS	
0241240539	BP6ES	
0241240563	BP6EFS	
0241240578	BP6EFS	
0241240585	BKR6EIX	
0241240587	BKR6ES	
0241240600	BM6A	
0241240601	BPM6A	
0241240603	B6HS	Q203
0241240611	BP6ES	
0241243501	BPR6EIX	
0241245553	BP7HS	
0241245555	BPM7A	
0241245574	BR7HIX	
0241245575	BR7EIX	
0241245580	B7HS	Q204
0241245581	B7ES	
0241245592	B7S	
0241245602	B7HS	Q204
0241245603	B7ES	
0241245619	BP7HS	
0241245642	BCP7ES	
0241245646	BP7HS-10	
0241245655	BCP7ES	
0241245656	BP7HS	
0241248531	B8HS	Q205
0241248534	B8ES	Q201
0241248538	B8ES	Q201
0241248540	B8HS	Q205
0241252521	BR8HIX	
0241252522	BR8EIX	
0241256512	B8HS	Q205
0241256513	B9ES	Q202
0241256514	BR8HIX	
0241256515	BR9EIX	
0241256519	B8HS	Q205

BOSCH	→ NGK	Quick
0241256522	B9ES	Q202
0241260507	B9HS	
0241260508	B10ES	
0241262505	BR9HIX	
0241262506	BR10EIX	
0241268505	BR9HIX	
0241268506	BR10EIX	
0241274504	BR10HIX	
0241274505	BR10EIX	
0241280503	BR10EIX	
0241319512	AB-6	
0241319513	AB-6	
0241329525	AB-6	
0241329526	AB-6	
0241335524	AB-7	
0241335526	AB-7	
0241345512	AB-7	
0241350505	AB-7	
0242040500	CR6HS	Q223
0242040502	MR7F	
0242045004	CPR7EA-9	
0242050006	CPR8EA-9	
0242050500	CR6HS	Q223
0242055500	CR7HS	
0242055501	CR7HSA	
0242055502	CR7E	Q225
0242055505	CR7HSA	
0242060500	CR8HS	
0242060501	CR8E	Q226
0242129503	LZKAR7A	
0242129508	LZKAR7A	
0242135500	DPR7EA-9	Q220
0242140500	DR7EA	
0242140504	DCPR8EKC	
0242145500	DPR7EA-9	Q220
0242145501	DPR7EA-9	Q220
0242145503	DCPR8EKC	
0242145504	KR9CI	
0242145516	DPR7EA-9	Q220
0242150500	DR8HS	
0242150501	DR8ES	Q217
0242150505	DPR8EA-9	Q221
0242160501	DR8ES	Q217
0242215502	BR4-LM	
0242219512	BP-4	
0242219513	BP-4	
0242219520	BP-4	
0242225522	BR6S	
0242225523	BR5ES	
0242225524	BPR5ES	
0242225528	ZGR5C	
0242225536	BR6S	
0242225539	ZGR5A	





Industry

BOSCH	→ NGK	Quick
0242225548	BPR5ES-11	
0242225550	BPR5ES	
0242225553	BPR5ES	
0242225554	BPR5ES-11	
0242225582	BKR5ES	
0242225599	BPR5ES	
0242225612	BMR4A	
0242225624	BPR5ES-11	
0242225859	BPR5ES	
0242225861	BPR5ES	
0242229524	BR6S	
0242229531	BPR5ES	
0242229533	BR5ES	
0242229534	BR5HS	
0242229538	BPR5ES	
0242229555	BPR5ES	
0242229556	BR5ES	
0242229557	BPR5ES-11	
0242229566	BPR5ES-11	
0242229568	BKR5ES	
0242229570	BPR5ES	
0242229587	BKR5ES	
0242229589	BPR5HS	
0242229594	BKR5ES	
0242229598	BKR5EIX	
0242229607	BPR5ES	
0242229610	BPR5HS	
0242229656	BPR5ES	
0242229657	BPR5HS	
0242229659	BKR5ES	
0242229673	BKR5ES	
0242229687	BPR5ES-11	
0242229779	ZGR5A	
0242229880	BPR5ES	
0242229881	BPR5HS	
0242229883	BKR5ES	
0242229885	BPR5ES-11	
0242229888	BKR5ES	
0242229982	BPR5ES	
0242235511	BPR6ES	
0242235522	BPR6HS	Q214
0242235525	BPR6EIX	
0242235529	BPR6ES	
0242235530	BPR6ES-11	
0242235532	BR6ES	
0242235533	BR6HS	Q209
0242235535	BPR6HS	Q214
0242235537	BPR6ES	
0242235541	BPR6EIX	
0242235546	BR6ES	
0242235551	BKR6ES	
0242235554	BR6S	
0242235556	BKR6ES	

BOSCH	→ NGK	Quick
0242235579	BKR6ES	
0242235587	BKR6ES	
0242235588	BKR6ES	
0242235597	BKR6ES	
0242235616	BKR6ES	
0242235624	BKR6ES	
0242235630	BPR6ES	
0242235651	BPMP6A	
0242235662	PTR5A-13	
0242235663	BPR6ES	
0242235665	BPR6HS	Q214
0242235666	BKR6ES	
0242235668	BKR6EKC	
0242235699	BKR6EIX	
0242235707	BPR6ES-11	
0242235767	PTR5A-13	
0242235909	BPR6ES	
0242235911	BPR6HS	Q214
0242235912	BKR6ES	
0242235914	BKR6EKC	
0242235915	BPR6ES-11	
0242235916	PTR5A-13	
0242235925	BKR6ES	
0242235930	BPR6ES	
0242240511	BPR6ES	
0242240516	BPR6EIX	
0242240521	BPR6ES	
0242240526	BKR6ES	
0242240530	BKR6ES	
0242240531	BPR6ES-11	
0242240532	BPR6ES-11	
0242240561	BPR6HS	Q214
0242240564	BKR7EKC	
0242240565	BKR7EKC	
0242240572	BKUR6ET	
0242240579	BPR6ES	
0242240582	BMR6A	
0242240592	BPR6ES	
0242240593	BKR6ES	
0242240605	BKR6ES	
0242240849	BPR6ES	
0242240850	BKR6ES	
0242240851	BKR6ES	
0242245018	BKR7EKC	
0242245517	BR7HS	Q211
0242245519	BPR7ES	
0242245521	BR7ES	
0242245537	BPR7ES	
0242245552	BPR7ES	
0242245557	BR7ES	
0242245812	BPR7ES	
0242250503	BR8ES	Q207
0242250506	BR8HS	Q212



BOSCH	→ NGK	Quick
0242250517	BR8EIX	
0242255502	BR9ES	Q208
0242255504	BR9EIX	
0242260001	BR10ES	
F000KE0P34	BPR6ES	
F5DC	BCP7ES	
F6DCOR	BKR6ES	
F6DSR	BKR6EIX	
F7DCOR	BKR6ES	
F7DER	BKR6ES	
F8DC0R	BKR5ES	
FR5LDC	BKR7EKC	
FR6DC	BKR6ES	
FR6DC+	BKR6ES	
FR6DC2	BKR6ES	
FR6DDC	BKR7EKC	
FR6KTC	BKUR6ET	
FR7DC	BKR6ES	
FR7DC+	BKR6ES	
FR7DC0	BKR6ES	
FR7DC2	BKR6ES	
FR7DC4	BKR6ES	
FR7DPP10	BKR6EIX	
FR7LC2	BKR6ES	
FR7LDC+	BKR6EKC	
FR8DC	BKR5ES	
FR8DC+	BKR5ES	
FR8DC0	BKR5ES	
FR8DE	BKR5ES	
FR8DS	BKR5EIX	
FR9DC	BKR5ES	
H6DC	BP6EFS	
H6DC0	BP6EFS	
H7DC	BP6EFS	
H7DC0	BP6EFS	
HR7MPP+	PTR5A-13	
HR7MPP302	PTR5A-13	
HR7MPP302X	PTR5A-13	
M4AC	AB-7	
M5AC	AB-7	
M7AC	AB-7	
M8AC	AB-6	
M8AC0	AB-6	
M10AC	AB-6	
M10AC0	AB-6	
U3CC	C7E	
U4AC	C6HSA	
UR2AS	CR8HS	
UR2CC	CR8E	Q226
UR3AC	CR7HSA	
UR3AS	CR7HS	
UR3CC	CR7E	Q225
UR4AS	CR6HS	Q223

BOSCH	→ NGK	Quick
UR4KC	CPR8EA-9	
UR5DC	CPR7EA-9	
UR6AC	CR6HS	Q223
UR6DE	MR7F	
VR8SE	LZKAR7A	
VR8SEW	LZKAR7A	
W2A	B9HS	
W2AC	B9HS	
W2AS	BR9HIX	
W2C	B10ES	
W2C0	B10ES	
W2CC	B10ES	
W2CS	BR10EIX	
W3A	B8HS	Q205
W3A0	B8HS	Q205
W3AC	B8HS	Q205
W3AP	B8HS	Q205
W3AS	BR8HIX	
W3C	B9ES	Q202
W3C0	B9ES	Q202
W3CC	B9ES	Q202
W3CP	B9ES	Q202
W3CS	BR9EIX	
W3D	BP8ES	
W3DP2	BP8ES	
W4A	B8HS	Q205
W4A1	B8HS	Q205
W4A2	B8HS	Q205
W4A5	B8HS	Q205
W4AC	B8HS	Q205
W4AP	B8HS	Q205
W4AS	BR8HIX	
W4C	B8ES	Q201
W4C1	B8ES	Q201
W4C2	B7ES	
W4C3	B7HS	Q204
W4CC	B8ES	Q201
W4CP	BR8EIX	
W4CPX	B8ES	Q201
W4CS	BR8EIX	
W4E2	B7S	
W5A	B7HS	Q204
W5AC	B7HS	Q204
W5AP	B7HS	Q204
W5AS	BR7HIX	
W5B	BP7HS	
W5BC	BP7HS	
W5BP	BP7HS	
W5C	B7ES	
W5CC	B7ES	
W5CP	B7ES	
W5CS	BR7EIX	
W5E	B7S	





Industry

BOSCH	→ NGK	Quick
W5EC	B7S	
W5EP	B7S	
W6AC	B6HS	Q203
W6B	BP6HS	
W6BC	BP6HS	
W6BP	BP6HS	
W06CS	BR10EIX	
W6D	BP6ES	
W6D1	BP6ES	
W6DC	BP6ES	
W6DP	BPR6EIX	
W7A	B6HS	Q203
W7A0	B6HS	Q203
W7A00	B6HS	Q203
W7AP	B6HS	Q203
W07AS	BR10HIX	
W7B	BP6HS	
W7BC	BP6HS	
W7BP	BP6HS	
W7C	B6ES	
W7CC	B6ES	
W7CC0	B6ES	
W7CP	B6ES	
W07CS	BR10EIX	
W7D0	BP6ES	
W7DC	BP6ES	
W7DCR	BPR6ES	
W7DP	BP6ES	
W7E	B6S	Q302
W7EC	B6S	Q302
W7EP	B6S	Q302
W8A	B5HS	
W8A0	B5HS	
W8AC	B5HS	
W8AP	B5HS	
W08AS	BR9HIX	
W8B	BP5HS	
W8BC	BP5HS	
W8BP	BP5HS	
W8C	B5ES	
W8C0	B5ES	
W8CC	B5ES	
W8CCX	B5ES	
W8CP	B5ES	
W08CS	BR10EIX	
W8D	BP5ES	
W8DC	BP5ES	
W8DC0	BP5ES	
W8DP	BP5ES	
W8E	B6S	Q302
W8EC	B6S	Q302
W8LCR	ZGR5A	
W8LPR	ZGR5A	

BOSCH	→ NGK	Quick
W9A	B-4H	
W9A0	B-4H	
W9AC	B5HS	
W9AC0	B5HS	
W9C	B4ES	
W9CC	B4ES	
W9D	BP5ES	
W9DC	BP5ES	
W9DC0	BP5ES	
W9DP	BP5ES	
W9E	B-4	
W9EC	B-4	
W9LC	ZGR5A	
W10A	B-4H	
W10AC	B-4H	
W10C	B4ES	
W10CC	B4ES	
W10E	B-4	
W10EC	B-4	
W10F	BP-4	
W10FC	BP-4	
W12A	B-4H	
W45T1	B-4H	
W45T3	B-4	
W95T1	B-4H	
W95T2	B4ES	
W95T3	B-4	
W95T6	BP-4	
W95TR6	BP-4	
W125T1	B-4H	
W125T2	B4ES	
W125T3	B-4	
W125T4	B-4H	
W125T30	BP5ES	
W125TR2	BR5ES	
W125TR3	BR6S	
W125TR30	BPR5ES	
W145M1	B5HS	
W145M2	B5ES	
W145T1	B5HS	
W145T2	B5ES	
W145T3	B6S	Q302
W145T11	B5HS	
W145T30	BP5ES	
W145T35	BP5HS	
W145TR2	BR5ES	
W145TR3	BR6S	
W145TR30	BPR5ES	
W160T2	B6ES	
W160T30	BP5ES	
W175T1	B6HS	Q203
W175T2	B6ES	
W175T3	B6S	Q302



BOSCH	→ NGK	Quick
W175T7	BP6HS	
W175T30	BP6ES	
W175T35	BP6HS	
W175TR1	BR6HS	Q209
W175TR2	BR6ES	
W175TR30	BPR6ES	
W175TR35	BPR6HS	Q214
W175Z1	B6HS	Q203
W190M11S	BR6HIX	
W200T27	BP6ES	
W200T30	BP6ES	
W200T35	BP6HS	
W200TR30	BPR6ES	
W215T30	BP6ES	
W220T30	BP6ES	
W225S1S	BR7HIX	
W225S2S	BR7EIX	
W225T1	B7HS	Q204
W225T2	B7ES	
W225T3	B7S	
W225T7	BPR7HS	Q215
W225T30	BP8ES	
W225T35	BP7HS	
W225TR1	BR7HS	Q211
W225TR2	BR7ES	
W225TR30	BPR7ES	
W235T28	BP8ES	
W240M1	B8HS	Q205
W240MZ1	B8HS	Q205
W240T1	B8HS	Q205
W240T2	B8ES	Q201
W240T3	B7S	
W240T28	B8ES	Q201
W250T1	B8HS	Q205
W250T2	B8ES	Q201
W250TR2	BR8ES	Q207
W260M1	B8HS	Q205
W260MZ1	B8HS	Q205
W260MZ2	B9ES	Q202
W260S1S	BR8HIX	
W260S2S	BR8EIX	
W260T1	B8HS	Q205
W260T2	B8ES	Q201
W260T20	B8ES	Q201
W260T30	BP8ES	
W275T1	B8HS	Q205
W275T2	B9ES	Q202
W280MZ1	B8HS	Q205
W280MZ2	B9ES	Q202
W280P21	BP8ES	
W280S1S	BR9HIX	
W280S2S	BR9EIX	
W280T30	BP8ES	

BOSCH	→ NGK	Quick
W300MZ2	B10ES	
W300T1	B9HS	
W300T2	B10ES	
W310S1S	BR9HIX	
W310S2S	BR10EIX	
W330T1	B9HS	
W340S1S	BR9HIX	
W340S2S	BR10EIX	
W370S1S	BR10HIX	
W370S2S	BR10EIX	
W400S1S	BR10HIX	
W400S2S	BR10EIX	
WA175T30	BP6EFS	
WA200T30	BP6EFS	
WEC	BUE	
WET2	BUE	
WG250T30	BP8ES	
WKA145T3	BM6A	
WKA145T6	BPM6A	
WKA145TR6	BPMR6A	
WKA175T3	BM6A	
WKA175T6	BPM6A	
WKA200TR6	BPMR6A	
WKA225T6	BPM7A	
WR2CC	BR10ES	
WR3CC	BR9ES	Q208
WR3CS	BR9EIX	
WR4AC	BR8HS	Q212
WR4CC	BR8ES	Q207
WR5A	BR7HS	Q211
WR5AC	BR7HS	Q211
WR5C	BR7ES	
WR5CC	BR7ES	
WR5DC	BPR7ES	
WR5DC+	BPR7ES	
WR6BC	BPR6HS	Q214
WR6DC	BPR6ES	
WR6DC+	BPR6ES	
WR6DCX	BPR6ES-11	
WR6DS	BPR6EIX	
WR7A	BR6HS	Q209
WR7AC	BR6HS	Q209
WR7BC	BPR6HS	Q214
WR7BC+	BPR6HS	Q214
WR7C	BR6ES	
WR7CC	BR6ES	
WR7DC	BPR6ES	
WR7DC+	BPR6ES	
WR7DC2	BPR6ES	
WR7DCX	BPR6ES-11	
WR7DCX+	BPR6ES-11	
WR7DS	BPR6EIX	
WR7EC	BR6S	



BOSCH	→ NGK	Quick
WR8AC	BR5HS	
WR8BC	BPR5HS	
WR8BC+	BPR5HS	
WR8C	BR5ES	
WR8CC	BR5ES	
WR8DC	BPR5ES	
WR8DC+	BPR5ES	
WR8DC0	BPR5ES	
WR8DC4	BPR5ES	
WR8DCX	BPR5ES-11	
WR8DCX+	BPR5ES-11	
WR8E	BR6S	
WR8EC	BR6S	
WR8EP	BR6S	
WR8HP	ZGR5C	
WR8LC+	ZGR5A	
WR9A0	BR5HS	
WR9C	BR5ES	
WR9CC	BR5ES	
WR9DC	BPR5ES	
WR9DC+	BPR5ES	
WR9DCX	BPR5ES-11	
WR9DCX+	BPR5ES-11	
WR9E	BR6S	
WR9E0	BR6S	
WR9EC	BR6S	
WR9EC0	BR6S	
WR9H	ZGR5C	
WR9HC	ZGR5C	
WR9HP	ZGR5C	
WR9LC	ZGR5A	
WR9LS	ZGR5A	
WR10E	BR6S	
WR10F	BP-4	
WR10FC	BP-4	
WR10FCY	BP-4	
WR10FY	BP-4	
WR11E0	BR4-LM	
WS5F	BPM7A	
WS6E	BM6A	
WS6F	BPM6A	
WS7E	BM6A	
WS7F	BPM6A	
WS8E	BM6A	
WS8F	BPM6A	
WSR6E	BMR6A	
WSR7F	BPMR6A	
WSR9E	BMR4A	
WSR9EC	BMR4A	
X3CP0	D9EA	
X4CS	D8EA	Q216
X5CC	D8EA	Q216
X5DC	DP7EA-9	

BOSCH	→ NGK	Quick
XR2AS	DR8HS	
XR2CS	DR8ES	Q217
XR4AS	DR8HS	
XR4CS	DR8ES	Q217
XR4DC	DPR8EA-9	Q221
XR5DC	DPR7EA-9	Q220
XR6CC	DR7EA	
XR7LDC	DPR7EA-9	Q220
YR5DDE	KR9CI	
YR5LDE	DCPR8EKC	
YR6LDE	DCPR8EKC	
BRISK	→ NGK	Quick
B12YC	DP9EA-9	
B14YC	DP8EA-9	
B15YC	DP7EA-9	
D12YC	BCP7ES	
D14Y	BCP7ES	
D14YC	BCP7ES	
DR12YC	BKR7E	
DR14YC	BKR7E	
DR14ZC	ZFR7F-11	
DR15YC	BKR6ES	
DR15Z	BKR6ES	
DR17YC	BKR5ES	
G15Y	BP6EFS	
G15YC	BP6EFS	
JR17	BR4-LM	
JR19	BR2-LM	Q310
K17C	B6S	Q302
K19	B-4	
L08JW	BR10EIX	
L08W	BR10EIX	
L10JW	BR8EIX	
L12W	BR9EIX	
L12Y	BP8ES	
L12YC	BP8ES	
L14	B8ES	Q201
L14C	B8ES	Q201
L15	B7ES	
L15C	B7ES	
L15W	BR7EIX	
L15Y	BP6ES	
L15YC	BP6ES	
L17	B6ES	
L17C	B6ES	
L17W	BR7EIX	
L17Y	BP5ES	
L17YC	BP5ES	
L19C	B5ES	
LR12YC	BPR8ES	Q213
LR12ZC	BPR8ES	Q213
LR14YC	BPR7ES	
LR14ZC	BPR7ES	

BRISK	→ NGK	Quick
LR15YC	BPR6ES	
LR15Z	BPR6ES	
LR15Z1	BPR6ES-11	
LR17YC	BPR5ES	
N08W	BR10HIX	
N12W	BR9HIX	
N12Y	BP8HS	
N12YC	BP8HS	
N14	B8HS	Q205
N14C	B8HS	Q205
N14Y	BP7HS	
N14YC	BP7HS	
N15	B7HS	Q204
N15C	B7HS	Q204
N15W	BR8HIX	
N15Y	BP6HS	
N15YC	BP6HS	
N17	B6HS	Q203
N17C	B6HS	Q203
N17W	BR7HIX	
N17Y	BP5HS	
N17YC	BP5HS	
N19	B5HS	
N19C	B5HS	
NR12YC	BPR8HS	
NR15YC	BPR6HS	Q214
P15Y	BPM7A	
P17	BM6A	
P17Y	BPM6A	
PR17Y	BPMR6A	
CHAMPION	→ NGK	Quick
A4HC	DP9EA-9	
A5YC	DP9EA-9	
A6	D8EA	Q216
A6G	DR8EIX	
A6GC	DR8EIX	
A6HC	DP8EA-9	
A6Y	DP8EA-9	
A6YC	DP8EA-9	
A8	D7EA	
A8Y	DP7EA-9	
A8YC	DP7EA-9	
A10	D7EA	
A59C	D9EA	
A59G	DR9EIX	
A59GC	DCPR9EIX	
A61	D9EA	
A61G	DR9EIX	
BN7Y	BP6EFS	
BN9Y	BP6EFS	
BN89Y	BP6EFS	
C6YCC	BCP7ES	
C7Y	BCP7ES	

CHAMPION	→ NGK	Quick
C7YC	BCP7ES	
C7YCC	BCP7ES	
C7YCX	BCP7ES	
C55	R7436-10	
C55R	R7436-10	
C57A	R7436-10	
C57JC4	R7436-10	
CJ6Y	BPM7A	
CJ7Y	BPM7A	
CJ8	BM6A	
CJ8Y	BPM6A	
CJ11	BM6A	
CJ86	BM6A	
D9	AB-6	
D9J	AB-6	
D10	AB-6	
D14	AB-6	
D16	AB-6	
D16J	AB-6	
D21	AB-6	
D23	AB-6	
EON1	BKR6ES	
EON2	BKR5ES	
EON5	BPR6ES	
EON6	BPR5ES	
FN507Y	BCP7ES	
G1	C9E	
G2	C8E	
G54V	R0045Q-10	
G55	C9E	
G56R	R0373A-10	
G58	C9E	
G59C	C7E	
G61	C8E	
G63	C8E	
G63R	CR8EIX	
H03	B6S	Q302
H8	B-6L	
H8C	B-6L	
H8J	B-6L	
H10	B-6L	
H10C	B-6L	
H10J	B-6L	
J4	B7S	
J4C	B7S	
J4J	B7S	
J5	B7S	
J6	B6S	Q302
J6C	B6S	Q302
J6J	B6S	Q302
J7	B6S	Q302
J7J	B6S	Q302
J8	B6S	Q302





Industry

CHAMPION	→ NGK	Quick
J8C	B6S	Q302
J8J	B6S	Q302
J11	B-4	
J11C	B-4	
J11J	B-4	
J18Y	BP-4	
J18YC	BP-4	
K3G	AB-8	
K5G	AB-8	
K7	AB-8	
K8	AB-8	
K8G	AB-8	
K9	AB-7	
K13	AB-6	
K15J	AB-6	
L2G	BR9HIX	
L3G	BR8HIX	
L4G	BR7HIX	
L4J	B7HS	Q204
L5	B7HS	Q204
L6G	BR7HIX	
L7J	B6HS	Q203
L9G	BR6HIX	
L9J	B6HS	Q203
L10	B6HS	Q203
L12Y	BP5HS	
L14	B-4H	
L15Y	BP4HS	
L55G	BR10HIX	
L61Y	BP8HS	
L64Y	BP7HS	
L66Y	BP6HS	
L77J	B7HS	Q204
L77JC	B7HS	Q204
L78	B7HS	Q204
L78C	B7HS	Q204
L78YC	BP7HS-10	
L81	B7HS	Q204
L81Y	BP7HS	
L82	B6HS	Q203
L82C	B6HS	Q203
L82Y	BP6HS	
L82YC	BP6HS	
L82YCC	BP6HS	
L85	B6HS	Q203
L85Y	BP6HS	
L86	B6HS	Q203
L86C	B6HS	Q203
L86CC	B6HS	Q203
L87Y	BP6HS	
L87YC	BP6HS	
L87YCC	BP6HS	
L90	B5HS	

CHAMPION	→ NGK	Quick
L90C	B5HS	
L92Y	BP5HS	
L92YC	BP5HS	
L95Y	BP4HS	
L288	B5HS	
N1	B10ES	
N1C	B10ES	
N2	B9ES	Q202
N2C	B9ES	Q202
N2G	BR9EIX	
N3	B8ES	Q201
N3C	B8ES	Q201
N3G	BR8EIX	
N4	B7ES	
N4C	B7ES	
N4G	BR7EIX	
N5	B6ES	
N5C	B6ES	
N6	B6ES	
N6Y	BP8ES	
N6YC	BP8ES	
N6YCC	BP8ES	
N7	B7ES	
N8	B6ES	
N8GY	BPR6EIX	
N8L	ZGR5C	
N8Y	BP6ES	
N9Y	BP6ES	
N9YC	BP6ES	
N9YCC	BP6ES	
N9YCE	BP5ES	
N9YCX	BP6ES	
N10PY	BPR6EIX	
N10Y	BP6ES	
N10YC	BP5ES	
N11Y	BP5ES	
N11YC	BP5ES	
N11YCC	BP5ES	
N12Y	BP5ES	
N12YC	BP5ES	
N12YCC	BP5ES	
N13L	ZGR5C	
N13Y	BP5ES	
N14LY	ZGR5C	
N14Y	BP5ES	
N19V	BUE	
N21	B4ES	
N54R	B10EG	
N55G	BR10EIX	
N57	B10ES	
N57G	BR10EIX	
N57R	B10EG	
N59G	BR10EIX	



CHAMPION	→ NGK	Quick
N60	B9ES	Q202
N60R	B8EG	
N62R	B8EG	
N64Y	BP8ES	
N66Y	BP6ES	
N79Y	BP6ES	
N80	B10EG	
N80G	BR10EIX	
N82	B10EG	
N82G	BR10EIX	
N84	B9EG	
N84G	BR10EIX	
N86	B9EG	
N86G	BR9EIX	
N87	B8EG	
N87G	BR8EIX	
N89GY	BP6ES	
N89Y	BP5ES	
N281YC	BP6ES	
N288	B5ES	
OE001	BP6ES	
OE002	BKR6ES	
OE004	BPR6ES	
OE005	BKR6ES	
OE006	BPR6ES	
OE007	BP6HS	
OE008	BPR7ES	
OE009	BP6EFS	
OE013	BKR5ES	
OE015	BP5ES	
OE016	BKR6ES	
OE017	BCP7ES	
OE018	BPR7ES	
OE022	BP6ES	
OE024	BKR6E-11	
OE030	BKR6EKC	
OE031	PTR5A-13	
OE034	BKR6ES	
OE036	BP6EFS	
OE037	B6HS	Q203
OE038	BP6HS	
OE040	B9ES	Q202
OE042	BPR5ES	
OE045	BPR5ES	
OE048	BPR6ES-11	
OE049	BPR5ES-11	
OE051	BPR5ES	
OE052	DCPR9EIX	
OE055	BP5ES	
OE058	BCP7ES	
OE059	BP5HS	
OE064	BPR6HS	Q214
OE065	BP5ES	

CHAMPION	→ NGK	Quick
OE068	B8ES	Q201
OE070	BP6HS	
OE071	BPR6HS	Q214
OE074	B6ES	
OE075	BCP7ES	
OE078	BR8EIX	
OE079	B7ES	
OE084	BP8ES	
OE086	BR6HS	Q209
OE087	BP8ES	
OE088	BKR5E	
OE091	BR9ES	Q208
OE092	CR9E	Q227
OE096	B6HS	Q203
OE098	BR7ES	
OE103	DCPR9EIX	
OE104	BP6HS	
OE106	BP5ES	
OE108	BR8ES	Q207
OE111	BPR6ES	
OE112	DR8EIX	
OE116	BPR8ES	Q213
OE119	BKR6ES	
OE122	PMR7A	
OE125	BR9EIX	
OE127	BKR5E	
OE132	DP8EA-9	
OE141	BKR6EIX	
OE152	BKR5E-11	
OE156	ZGR5C	
OE162	BR6ES	
OE166	C7E	
OE172	B9EG	
OE174	PTR5A-13	
OE199	DCPR8E	
ON3	BR8ES	Q207
ON11Y	BP5ES	
ON12Y	BP5ES	
P7	D8HA	
P7G	DR8HS	
P7Y	D8HA	
P8Y	D6HA	
P10Y	D6HA	
PA5HC	D7EA	
PA7HC	D7EA	
PG2PHP	PMR8A	
PG4PHP	PMR7A	
PG7C	C7E	
PL7YC4	BP6HS-10	
PL9YC	BP6HS	
PN5C	B8ES	Q201
PRG6HCC	CPR8EA-9	
PRL5SC	BR6HSA	Q210



CHAMPION	→ NGK	Quick
PRZ9HC	CR7HSA	
PZ7HC	C7HSA	
PZ9HC	C6HSA	
Q504V	R2349-10	
QC12YC	BKR6ES	
QJ17LM	BR4-LM	
QJ19LM	BR2-LM	Q310
QL7J5	BR6HS	Q209
QL77CC	BR8HS	Q212
QL78C	BR7HS	Q211
QL78YC	BPR7HS	Q215
QL82C	BR6HS	Q209
QL82YC	BPR6HS	Q214
QL86	BR6HS	Q209
QL86C	BR6HS	Q209
QL87YC	BPR6HS	Q214
QN2	BR9ES	Q208
QN2C	BR9ES	Q208
QN2G	BR9EIX	
QN3	BR8ES	Q207
QN3C	BR8ES	Q207
QN84	BR9EG	
QN86	BR8EG	
R6	D8EA	Q216
R6G	DR8EIX	
R6J	D8EA	Q216
R8	D7EA	
R10	D6EA	
RA2HC	DPR7EA-9	Q220
RA4HCC	DCPR8E	
RA4HCX	DCPR9EIX	
RA6	DR8ES-L	Q218
RA6Y	DPR7EA-9	Q220
RA6YC	DPR7EA-9	Q220
RA7YC	DCPR8E	
RA8GHC	DCPR6E	
RA8HC	DCPR7E	
RA8Y	DPR7EA-9	Q220
RA8YC	DPR7EA-9	Q220
RA59GC	DCPR9EIX	
RA59PP	DCPR9EIX	
RAX92C	DR9EA	Q219
RAX92DC	JR9C	
RAX92YC	DPR7EA-9	Q220
RAX94C	DR8EA	
RAX94YC	DPR7EA-9	Q220
RAX96C	DR7EA	
RAX96YC	DPR7EA-9	Q220
RC7GYG	BKR6EIX	
RC7YC3	BKR7E	
RC8BYC	BKR6EKC	
RC8YC	BKR5E	
RC8YC4	BKR5E-11	

CHAMPION	→ NGK	Quick
RC8YCC	BKR6ES	
RC8YCL	BKR6ES	
RC9YC	BKR6ES	
RC9YC5	BKR6E-11	
RC9YCC	BKR6ES	
RC9YCC4	BKR6E-11	
RC9YCN4	BKR6E-11	
RC10PYC	BKR6EIX	
RC10YC	BKR5E	
RC10YCC	BKR6ES	
RC12YC	BKR5ES	
RC14YC	BKR5ES	
RC14YC4	BKR5E-11	
RC87YC	BKR6ES	
RCJ8	BMR6A	
RCJ8Y	BPMP6A	
RD9	AB-6	
RD14	AB-6	
RD16	AB-6	
RD16J	AB-6	
RE7PYC5	PTR5A-13	
RE7YCC	PTR5A-13	
RE10PMC5	PTR5A-13	
RES9YCC4	PTR5A-13	
RG2PHP	CR8EIX	
RG4HC	CR9E	Q227
RG4PHP	PMR7A	
RG6YC	CR8EB	
RG6YCA	CPR8E	
RG6YCH	CPR8E	
RG92C	CR9E	Q227
RG92DC	CR9EK	Q230
RG94C	CR8E	Q226
RGU92C	CR9EH-9	Q229
RGU94C	CR8EH-9	Q228
RH10C	B-6L	
RJ6	BR6S	
RJ6C	BR6S	
RJ6J	BR6S	
RJ7	BR6S	
RJ8	BR6S	
RJ8C	BR6S	
RJ8J	BR6S	
RJ11	BR6S	
RJ12	BR6S	
RJ17LM	BR4-LM	
RJ18Y	BP-4	
RJ18YC	BP-4	
RJ19LMC	BR2-LM	Q310
RJ20Y	BP-4	
RL4J	BR7HS	Q211
RL7J	BR6HS	Q209
RL12Y	BPR6HS	Q214

CHAMPION	→ NGK	Quick
RL19	BR5HS	
RL77J	BR7HS	Q211
RL78	BR7HS	Q211
RL78C	BR7HS	Q211
RL82	BR6HS	Q209
RL82C	BR6HS	Q209
RL82Y	BPR6HS	Q214
RL82YC	BPR6HS	Q214
RL82YCC	BPR6HS	Q214
RL85	BR6HS	Q209
RL86	BR6HS	Q209
RL86C	BR6HS	Q209
RL87Y	BPR6HS	Q214
RL87YC	BPR6HS	Q214
RL90	BR5HS	
RL95YC	BPR5HS	
RN1C	BR10ES	
RN2	BR9ES	Q208
RN2C	BR9ES	Q208
RN2G	BR9EIX	
RN3	BR8ES	Q207
RN3C	BR8ES	Q207
RN3G	BR8EIX	
RN4	BR7ES	
RN4C	BR7ES	
RN5	BR6ES	
RN5C	BR6ES	
RN6	BR6ES	
RN6Y	BPR8ES	Q213
RN6YC	BPR8ES	Q213
RN7Y	BPR7ES	
RN7YC	BPR7ES	
RN7YCC	BPR7ES	
RN8	BR5ES	
RN8L	ZGR5C	
RN9GY	BPR6EIX	
RN9Y	BPR6ES	
RN9YC	BPR6ES	
RN9YC4	BPR6ES-11	
RN9YCC	BPR6ES	
RN10GY	BPR6EIX	
RN10Y	BPR6ES	
RN10Y4	BPR6ES-11	
RN10YC	BPR6ES	
RN11Y	BPR5ES	
RN11YC	BPR5ES	
RN11YC4	BPR5ES-11	
RN11YCC	BPR5ES	
RN12Y	BPR5ES	
RN12YC	BPR5ES	
RN12YC4	BPR5ES-11	
RN12YCC	BPR5ES	
RN13L	ZGR5C	

CHAMPION	→ NGK	Quick
RN13LYC	ZGR5C	
RN14LY	ZGR5C	
RN14Y	BPR5ES	
RN16Y	BPR4ES	
RN57YC	BR10EG	
RP7	DR8HS	
RZ94C	CR8HSA	
RZ96C	CR7HSA	
S9YC	BP6EFS	
S9YCC	BP6EFS	
S279YC	BP6EFS	
S281YC	BP6EFS	
UD16	AB-6	
UJ2J	B8S	
UJ4J	B7S	
UJ6	B6S	Q302
UJ8	B6S	Q302
UJ81C	B7S	
UJ81J	B7S	
UK10	AB-6	
UL4J	B7HS	Q204
UL18V	BUHX	
UL81C	B7HS	Q204
UL81J	B7HS	Q204
UL82Y	BP7HS	
UN19V	BUE	
UN79Y	BP6ES	
XC92YC	BKR5E	
Z6	C8HSA	
Z8	C7HSA	
Z9Y	C7HSA	
Z10	C6HSA	
Z12	C6HSA	
DENSO	→ NGK	Quick
D2	BPR6ES	
D3	BPR6HS	Q214
D4	BP6ES	
D5	BP6EFS	
D6	BPR5ES	
D8	BP5ES	
D12	BKR6E	
D13	BPR6ES-11	
D14	BKR6E-11	
D15	ZGR5A	
D18	BP6HS	
D19	BPR7ES	
D21	BKR5E-11	
D22	BKR6E	
D54	B5ES	
D55	B6ES	
D56	B7ES	
D57	B5HS	
D58	B6HS	Q203





Industry

DENSO	→ NGK	Quick
D71	BP5HS	
D74	BP7HS	
D77	BKR5E	
D100	BPR5ES-11	
D103	BKR5EIX	
D105	BKUR6ET	
D112	BKR6EKC	
D116	BKR7E-11	
D136	BR7ES	
D140	BPR4ES	
D148	BKR7E	
D156	BKR8E-11	
D167	LZKAR7A	
I16	BR8EIX	
I17	BR9EIX	
I19	BR10EIX	
I36	FR9BI-11	
I62	CR8EIX	
I63	B8HCS	
I68	CR8EHIX-9	
I69	CR9EHIX-9	
I72	DR8EIX	
I73	DR9EIX	
I76	DPR8EIX-9	
I77	DPR9EIX-9	
I79	BR7HIX	
I80	BR8HIX	
I81	BR9HIX	
I88	IMR9A-9H	
I90	CR9EIA-9	
I91	BR8ECMIX	
I92	BR9ECMIX	
I93	BR10ECMIX	
I101	ER9EHIX	
IAE0132	R7282-105	
IK27C11	FR9BI-11	
IQ0131	R7436-10	
IQ0231	R7436-10	
IU24	CR8EIX	
IU27	B8HCS	
IU27D	CR9EIA-9	
IU0131	R0373A-10	
IUH24	CR8EHIX-9	
IUH27	CR9EHIX-9	
IUH27D	IMR9A-9H	
IW24	BR8EIX	
IW27	BR9EIX	
IW31	BR10EIX	
IW0127	R7376-9	
IW0131	R7376-10	
IW0627	R7376-9	
IW0631	R7376-10	
IWF22	BR7HIX	

DENSO	→ NGK	Quick
IWF24	BR8HIX	
IWF27	BR9HIX	
IWM24	BR8ECMIX	
IWM27	BR9ECMIX	
IWM31	BR10ECMIX	
IWM0132	R7282-105	
IX24	DR8EIX	
IX24B	DPR8EIX-9	
IX27	DR9EIX	
IX27B	DPR9EIX-9	
IXU0127	R2525-9	
IY27	ER9EHIX	
J16CRU	ZGR5A	
K14PU11	BKR5E-11	
K16PRP11	BKR5EIX	
K16PRU	BKR5E	
K16PRU11	BKR5E-11	
K16PRUR	BKR5E	
K20PBR	BKUR6ET	
K20PRU	BKR6E	
K20PRU11	BKR6E-11	
K20PRUR	BKR6E	
K20RZ	BKR6EIX	
K20TNR	BKR6EKC	
K22PRU	BKR7E	
K22PRU11	BKR7E-11	
K22PRUR	BKR7E	
K22PRZU	BKR7EIX	
K22TNR	BKR7EKC	
K24PRU11	BKR8E-11	
KJ22CR11	ZFR7F-11	
KJ22CRL11	ZFR7F-11	
L14U	AB-6	
M17	AB-6	
M22	AB-7	
M24S	AB-8	
MW17	AB-6	
MW22	AB-7	
P16	PTR5A-13	
P52	PZFR6F	
PKJ20CR8	PZFR6F	
PT16VR13	PTR5A-13	
Q20PRU	BKR6E	
Q20PU11	BKR6E-11	
Q20U11	BKR6E-11	
Q22PU	BCP7ES	
Q22PU11	BKR7E-11	
QJ22CR11	ZFR7F-11	
R31	R2525-9	
R47	R7282-105	
RU0131	R0045Q-10	
SF10	BUHX	
T20EPU	BP6EFS	



DENSO	→ NGK	Quick
T20EXU	BP6EFS	
TR20	B6HS	Q203
TR22	B7HS	Q204
TR24	B8HS	Q205
U20EPR9	CPR6EA-9	
U20ESRN	CR6E	
U20FS	C6HSA	
U20FSL	C6HSA	
U20FSRL	CR6HS	Q223
U20FSRU	CR6HSA	
U20FSU	C6HSA	
U21FB	C6HSA	
U22EPRU	CPR7EA-9	
U22ESN	C7E	
U22ESRN	CR7E	Q225
U22ETR	CR7EK	
U22FER9	CR7EH-9	
U22FS	C7HSA	
U22FSL	C7HSA	
U22FSRL	CR7HS	
U22FSRU	CR7HSA	
U22FSU	C7HSA	
U24ESN	C8E	
U24ESRN	CR8E	Q226
U24ESRNB	CR8EB	
U24ESRNZU	CR8EIX	
U24ETR	CR8EK	
U24FB	C8HSA	
U24FE9	C8EH-9	
U24FER9	CR8EH-9	Q228
U24FER9S	CR8EH-9S	
U24FERZU9	CR8EHIX-9	
U24FS	C8HSA	
U24FSL	C8HSA	
U24FSRC	LR8A	
U24FSRU	CR8HS	
U24FSU	C8HSA	
U27ESN	C9E	
U27ESRN	CR9E	Q227
U27ESRNB	CR9EB	
U27ETR	CR9EK	Q230
U27FER9	CR9EH-9	Q229
U27FERZU9	CR9EHIX-9	
U27FEZU9	CR9EHIX-9	
U31ESRN	CR10E	
U31ETR	CR10EK	
V14	IJR7A9	
V27	IMR9C-9H	
V31	IMR9B-9H	
V33	IZFR6F11	
V42	IMR9C-9HES	
VK16PRZ11	IFR5L11	
VK20PRZ11	IFR6L11	

DENSO	→ NGK	Quick
VK24PRZ11	IFR8H11	
VK27PRZ11	IFR9H11	
VKJ20RZM11	IZFR6F11	
VNH27Z	IMR9B-9H	
VUH27D	IMR9C-9H	
VUH27ES	IMR9C-9HES	
VUH27Z	IMR9A-9H	
VX22BC	IJR7A9	
VX22BZ	IJR7A9	
W9EPR	BPR2ES	
W9EXRU	BPR2ES	
W9LMRUS	BR2-LM	Q310
W9P	BP-4	
W9PRU	BP-4	
W9PU	BP-4	
W14	B-4	
W14E	B4ES	
W14EPR	BPR4ES	
W14EPRU	BPR4ES	
W14EXRU	BPR4EY	
W14F	B-4H	
W14FP	BP-4H	
W14FPL	BP4HS	
W14FPLUL	BP4HA	
W14FPRL	BPR4HS	
W14FPRUL	BPR4HS	
W14FPU	BP-4H	
W14FPUL	BP4HS	
W14FU	B-4H	
W14LMRUS	BR4-LM	
W14MRU	BMR4A	
W14PRU	BP-4	
W14PU	BP-4	
W14U	B-4	
W14U10	B-4	
W14US	B-4	
W16EP	BP5ES	
W16EPR	BPR5ES	
W16EPR11	BPR5ES-11	
W16EPRU	BPR5ES	
W16EPRU11	BPR5ES-11	
W16EPU	BP5ES	
W16ES	B5ES	
W16ESL11	BR5ES	
W16ESRL	BR5ES	
W16ESRU	BR5ES	
W16ESU	B5ES	
W16FP	BP5HS	
W16FPR	BPR5HS	
W16FPRU	BPR5HS	
W16FPU	BP5HS	
W16FS	B5HS	
W16FSR	BR5HS	



DENSO	→ NGK	Quick
W16FSU	B5HS	
W16LS	B-6L	
W17	B6S	Q302
W17ES	BR6ES	
W17FP	BP6HS	
W20EP	B6ES	
W20EPGU	BPR6EIX	
W20EPR	BPR6ES	
W20EPR11	BPR6ES-11	
W20EPRU	BPR6ES	
W20EPRU10	BPR6ES-11	
W20EPRU11	BPR6ES-11	
W20EPRZU	BPR6EIX	
W20EPU	BP6ES	
W20EPZU	BPR6EIX	
W20ES	B6ES	
W20ESL	BR6ES	
W20ESR	BR6ES	
W20ESRL	BR6ES	
W20ESU	B6ES	
W20EXRZU	BPR6EIX	
W20EXZU	BPR6EIX	
W20FP	BP6HS	
W20FPL	BP6HSA	
W20FPR	BPR6HS	Q214
W20FPRL	BPR6HSA	
W20FPRU	BPR6HS	Q214
W20FPRU10	BPR6HS-10	
W20FPRUL10	BPR6HS-10	
W20FPU	BP6HS	
W20FPU10	BP6HS-10	
W20FRL	BR6HSA	Q210
W20FS	B6HS	Q203
W20FSGU	BR6HIX	
W20FSR	BR6HS	Q209
W20FSRU	BR6HS	Q209
W20FSU	B6HS	Q203
W20FSZU	BR6HIX	
W20M	BM6A	
W20MPU	BPM6A	
W20MRU	BMR6A	
W20MU	BM6A	
W20MUS	BM6A	
W20S	B6S	Q302
W20SRU	BR6S	
W20SU	B6S	Q302
W22	B7S	
W22EPR	BPR7ES	
W22EPRU	BPR7ES	
W22ES	B7ES	
W22ESGU	BR7EIX	
W22ESL	BR7ES	
W22ESR	BR7ES	

DENSO	→ NGK	Quick
W22ESRL	BR7ES	
W22ESRU	BR7ES	
W22ESU	B7ES	
W22ESZU	BR7EIX	
W22FP	BP7HS	
W22FPR	BPR7HS	Q215
W22FPRU	BPR7HS	Q215
W22FPU	BP7HS	
W22FPU10	BP7HS-10	
W22FPUS	BP7HS	
W22FS	B7HS	Q204
W22FSGU	BR7HIX	
W22FSR	BR7HS	Q211
W22FSRU	BR7HS	Q211
W22FSU	B7HS	Q204
W22FSZU	BR7HIX	
W22MPU	BPM7A	
W22MPUS	BPM7A	
W22S	B7S	
W22SU	B7S	
W24	B8S	
W24EMRC	BR8ECM	
W24EP	BP8ES	
W24EP11	BP8ES	
W24EPR	BPR8ES	Q213
W24EPRU	BPR8ES	Q213
W24EPU	BP8ES	
W24ES	B8ES	Q201
W24ESGU	BR8EIX	
W24ESR	BR8ES	Q207
W24ESRV	BR8EG	
W24ESRZU	BR8EIX	
W24ESU	B8ES	Q201
W24ESU11	B8ES	Q201
W24ESV	B8EG	
W24ESZU	BR8EIX	
W24FP	BP8HS	
W24FPL	BPR8HSA	
W24FPR	BPR8HS	
W24FPRL	BPR8HSA	
W24FPRU10	BPR8HS-10	
W24FPU	BP8HS	
W24FRL	BR8HSA	
W24FS	B8HS	Q205
W24FSGU	BR8HIX	
W24FSR	BR8HS	Q212
W24FSRU10	BR8HS-10	
W24FSU	B8HS	Q205
W24FSZU	BR8HIX	
W24S	B8S	
W24SU	B8S	
W25EN	B8EG	
W25EPT	BR8EIX	

DENSO	→ NGK	Quick
W25FC	B8HCS	
W25FN	BR8HIX	
W27EMRC	BR9ECM	
W27EMRZU	BR9ECMIX	
W27EN	B9EG	
W27EPT	BR9EIX	
W27ES	B9ES	Q202
W27ESGU	BR9EIX	
W27ESR	BR9ES	Q208
W27ESRU	BR9ES	Q208
W27ESRV	BR9EG	
W27ESRZU	BR9EIX	
W27ESU	B9ES	Q202
W27ESV	B9EG	
W27ESZU	BR9EIX	
W27FC	B9HCS	
W27FN	BR9HIX	
W27FS	B9HS	
W27FSGU	BR9HIX	
W27FSR	BR9HS	
W27FSU	B9HS	
W27FSU10	B9HS-10	
W27FSZU	BR9HIX	
W29ESGU	BR10EIX	
W29ESRV	BR10EG	
W29ESV	B10EG	
W29ESZU	BR10EIX	
W31EMRZU	BR10ECMIX	
W31EN	B10EG	
W31EPT	R7376-10	
W31ES	B10ES	
W31ESGU	BR10EIX	
W31ESRU	BR10ES	
W31ESRZU	BR10EIX	
W31ESU	B10ES	
W31ESZU	BR10EIX	
W31FS	B10HS	
W31FSGU	BR10HIX	
W31FSZU	BR10HIX	
W34ESZU	BR10EIX	
X16EPRU9	DPR5EA-9	
X16EPU9	DPR5EA-9	
X20EPRU9	DPR6EA-9	
X20ESU	D6EA	
X20FSU	D6HA	
X22EPRU9	DPR7EA-9	Q220
X22EPU	DP7EA-9	
X22EPU9	DP7EA-9	
X22ESRU	DR7ES	
X22ESU	D7EA	
X24EPRU9	DPR7EA-9	Q220
X24EPRZU9	DPR8EIX-9	
X24EPU	DP8EA-9	

DENSO	→ NGK	Quick
X24EPU9	DP8EA-9	
X24EPZU9	DPR8EIX-9	
X24ESGU	DR8EIX	
X24ESRU	DR8ES-L	Q218
X24ESRZU	DR8EIX	
X24ESRZU9	DR8EIX	
X24ESU	D8EA	Q216
X24ESZU	DR8EIX	
X24ESZU9	DR8EIX	
X24FSRU	DR8HS	
X24FSU	D8HA	
X24GPRU	DPR8Z	
X27EPRU9	DPR7EA-9	Q220
X27EPRZU9	DPR9EIX-9	
X27EPU9	DP9EA-9	
X27EPZU9	DPR9EIX-9	
X27ESRU	DR8ES	Q217
X27ESRZU	DR9EIX	
X27ESRZU9	DR9EIX	
X27ESU	D9EA	
X27ESZU	DR9EIX	
X27ESZU9	DR9EIX	
X27ETR	JR9B	Q224
X27GPRU	DPR9Z	
X29ESZU	DR9EIX	
X31ESU	D10EA	
XE20HRU9	LZKAR7A	
XU20EPRU	DCPR6E	
XU22EPR	DCPR7E	
XU22EPRU	DCPR7E	
XU22PR9	DCPR7EA-9	
XU24EPRP	DCPR8EIX	
XU24EPRU	DCPR8E	
XU24EPRZU	DCPR8EIX	
XU24EPU	DCPR8E	
XU24EPZU	DCPR8EIX	
XU27EPRU	DCPR9E	
XU27EPRZU	DCPR9EIX	
Y27FER	ER9EH	
Y27FERC	ER9EH	
Z20ESU	D6EA	
ENKER	→ NGK	Quick
F45CP	BP4HS	
F50C	B5HS	
F55CP	BP5HS	
F65CP	BP6HS	
F75C	B6HS	Q203
F80C	B7HS	Q204
F85CP	BP7HS	
F100C	B8HS	Q205
FA70	B-6L	
FE30C	B4ES	
FE45CP	BP5ES	





Industry

ENKER	→ NGK	Quick
FE50C	B5ES	
FE55CP	BP5ES	
FE65CP	BP6ES	
FE70C	B6ES	
FE75C	B7ES	
FE80C	B8ES	Q201
FE95CP	BP8ES	
FE100C	B9ES	Q202
FET75CP	BP6EFS	
FS30	B-4	
FS70	B6S	Q302
FS75C	B7S	
FS80	B8S	
FSC50C	BM6A	
FSC50P	BPM6A	
FSC70P	BPM6A	
FSC75CP	BPM7A	
M60	AB-6	
M75	AB-7	
M80	AB-8	
SFE55CP	BKR5ES	
SFE65CP	BKR6ES	
SFE65CPR	BPR5ES	
T70	C6HSA	
T90	C7HSA	
EYQUEM	→ NGK	Quick
50AM	B-6L	
50M	B5HS	
70M	B6HS	Q203
75LM	B6ES	
75M	B6HS	Q203
100M	B8HS	Q205
200	B-4H	
406	BP6HS	
450L	B5ES	
500AM	B-6L	
500C	B6S	Q302
500CM	B6S	Q302
500CT	BM6A	
500M	B5HS	
550LS	BP5ES	
550S	BP4HS	
580LS	BP5ES	
580S	BP4HS	
600L	B6ES	
600LS	BP6ES	
600S	BP5HS	
700	B6HS	Q203
700CM	B6S	Q302
700CTS	BPM6A	
705L	B6ES	
705S	BP6HS	
707LS	BP6ES	

EYQUEM	→ NGK	Quick
750	BP6HS	
750L	B6ES	
750LJS	BP6EFS	
750LS	BP6ES	
753LJS	BP6EFS	
755	B6HS	Q203
755CM	B6S	Q302
755L	B6ES	
755LJS	BP6EFS	
755LS	BP6ES	
755M	B6HS	Q203
755S	BP6HS	
775SX	BP6HS	
775X	B6HS	Q203
800L	B6ES	
800LJS	BP6EFS	
800LS	BP6ES	
802L	B6ES	
803LJS	BP6EFS	
805L	B6ES	
805LP	BR8EIX	
850	B7HS	Q204
1000	B8HS	Q205
1000CM	B7S	
1000L	B8ES	Q201
1000M	B8HS	Q205
1100	B9HS	
1100L	B8ES	Q201
1150L	B9ES	Q202
C32	B5HS	
C32LS	BP5ES	
C32S	BP5HS	
C42LJS3	BP6EFS	
C42S	BP6HS	
C52LS	BP5ES	
C62	B7HS	Q204
C62LJS	BP6EFS	
C62LS	BP6ES	
C62S	BP7HS	
C92LS	BP8ES	
D775	D6HA	
D800L	D7EA	
D900L	D8EA	Q216
D1000	D8HA	
D1000L	D9EA	
D1050L	D9EA	
FC72LS	BCP7ES	
FC82LS	BCPR7E	
FC82LS1	BCP7ES	
FC82LS2	BCP7ES	
K200M	AB-6	
K300M	AB-6	
K500M	AB-6	



EYQUEM	→ NGK	Quick
K600M	AB-6	
K750M	AB-7	
R850	BR7HS	Q211
R1000	BR8HS	Q212
R1000L	BR8ES	Q207
RC42S	BPR6HS	Q214
RC52LZE	ZGR5A	
RC62HJSDP	PTR5A-13	
RC62LS	BPR6ES	
RC62LS5	BPR6ES-11	
RC62S	BPR7HS	Q215
RC82LS	BPR7ES	
RFC42LS	BKR5ES	
RFC52LS	BKR5ES	
RFC58LS	BKR6ES	
RFC58LZ2	BKR6EKC	
RFC58LZ3EX	BKUR6ET	
T850	C7HSA	
ISOLATOR	→ NGK	Quick
6B	BP6HS	
7A	B6HS	Q203
7B	BP6HS	
7D	BP6ES	
A7D	BP6EFS	
FM14145/2	BP5ES	
FM14175/2	BP6ES	
FM14200/2	BP6ES	
M1495	B-4H	
M14145	B5HS	
M14175	B6HS	Q203
M14175/2	B6ES	
M14225	B7HS	Q204
M14240	B8HS	Q205
M14260	B9HS	
M18225	AB-7	
M18240	AB-7	
PM14225	BP7HS	
ZM14260	B8HS	Q205
LODGE	→ NGK	Quick
2H	B7HS	Q204
2H12	D8HA	
2HA	B6S	Q302
2HAN	B8S	
2HL	B7ES	
2HL10	C7HSA	
2HLE	B7ES	
2HLN	B7ES	
2HN	B7HS	Q204
2HNY	BP7HS	
2HV	AB-8	
2XL	BP6ES	
3HAN	B8S	
3HLN	B8ES	Q201

LODGE	→ NGK	Quick
3HN	B8HS	Q205
3HNY	BP8ES	
4HLNY	BP8ES	
5HLNY	BP8ES	
15HLNY	BP6ES	
25HL	BPR7ES	
25XL	BP6ES	
BAN	B-4	
BBANY	BP-4	
BBL	AB-6	
BBNY	BP-4H	
BL14	B4ES	
BLN	B4ES	
BLNY	BP5ES	
BN	B-4H	
BNY	BP-4H	
C14	B5HS	
CAN	B6S	Q302
CANB	BPM6A	
CANC	BM6A	
CC14	B6HS	Q203
CL10	C6HSA	
CL14	B5ES	
CLN	B6ES	
CLN14P	B5ES	
CLNH	B5ES	
CLNY	BP5ES	
CN	B5HS	
CNY	BP5HS	
CV	AB-6	
H	B6HS	Q203
H12	D6HA	
H14	B7HS	Q204
H18	AB-7	
HA	B7S	
HAM	B7S	
HAN	B7S	
HB12	D6HA	
HBAN	B6S	Q302
HBL12	D8EA	Q216
HBLN	B5ES	
HBN	B5HS	
HBSN	B-6L	
HBV	AB-6	
HF2HL	B8ES	Q201
HH14	B9HS	
HL	B6ES	
HL12	D9EA	
HL14	B6ES	
HLE	B6ES	
HLN	B6ES	
HLNP	B6ES	
HLNY	BP6ES	





Industry

LODGE	→ NGK	Quick
HN	B6HS	Q203
HN14	B7HS	Q204
HNY	BP6HS	
HV	AB-7	
MAGNETI M.	→ NGK	Quick
7LCR	BKR6E	
7LPR	BKR6E	
8LDCR	PTR5A-13	
061830085304	BPR7ES	
061830086304	BKR6E	
061830176304	BP6HS	
061830210304	BP6ES	
061830211304	BPR6ES	
061830215304	BP6EFS	
061830254304	BKR6E	
061830257304	BPR6HS	Q214
061830258304	BP5HS	
061850023304	PTR5A-13	
062000611304	B6HS	Q203
062000654304	BP6HS	
062000739304	BP6ES	
062000740304	BPR6ES	
062000754304	BP6HS	
AW5C	BM6A	
CM3N	AB-6	
CM4N	AB-6	
CM5N	AB-6	
CM6N	AB-7	
CU7N	C7HSA	
CW2L	B4ES	
CW2N	B-4H	
CW3C	B-4	
CW3CJ	B-4	
CW3CP	BP-4	
CW3L	B4ES	
CW3N	B-4H	
CW4A	B5ES	
CW4C	B-4	
CW4CJ	B-4	
CW4CP	BP-4	
CW4L	B4ES	
CW4N	B-4H	
CW4NJ	B-4H	
CW5C	B-4	
CW5L	B5ES	
CW5LJ	B5ES	
CW5LP	BP5ES	
CW5LS	B5ES	
CW5LSZ	B5ES	
CW5N	B5HS	
CW5NJ	B5HS	
CW5NP	BP5HS	
CW5NR	BR5HS	

MAGNETI M.	→ NGK	Quick
CW5NS	B5HS	
CW5NSZ	B5HS	
CW6C	B6S	Q302
CW6CE	BM6A	
CW6CJ	B6S	Q302
CW6L	B5ES	
CW6LJ	B5ES	
CW6LP	BP5ES	
CW6LR	BR5ES	
CW6LS	B5ES	
CW6LSZ	B5ES	
CW6N	B6HS	Q203
CW6NE	BM6A	
CW6NJ	B6HS	Q203
CW6NP	BP6HS	
CW6NPR	BPR6HS	Q214
CW6NR	BR6HS	Q209
CW7C	B6S	Q302
CW7L	B6ES	
CW7LCR	BKR6E	
CW7LJ	B6ES	
CW7LP	BP6ES	
CW7LPH	BP6ES	
CW7LPR	BPR6ES	
CW7LR	BR6ES	
CW7N	B6HS	Q203
CW7NJ	B6HS	Q203
CW7NP	BP6HS	
CW7NPR	BPR6HS	Q214
CW7NR	BR6HS	Q209
CW8CJ	B7S	
CW8L	B7ES	
CW8LJ	B7ES	
CW8LPR	BPR7ES	
CW8N	B7HS	Q204
CW8NP	BP7HS	
CW8NR	BR7HS	Q211
CW9L	B8ES	Q201
CW9LJ	B8ES	Q201
CW9LP	BP8ES	
CW9N	B8HS	Q205
CW10L	B8EG	
CW11L	B9EG	
CW12L	B9EG	
CW13L	B10EG	
CW14L	B10EG	
CW25N	B-4H	
CW55N	B5HS	
CW67L	B6ES	
CW67LP	BP6ES	
CW67N	BP6HS	
CW67NJ	B6HS	Q203
CW67NR	BR6HS	Q209



MAGNETI M. → NGK		Quick
CW67P	BP5ES	
CW75LP	BP6ES	
CW78L	B6ES	
CW78LP	BP6ES	
CW78LPR	BPR6ES	
CW78LPS	BP6ES	
CW112L	B9EG	
CW225A	B6HS	Q203
CW250A	B7HS	Q204
CW260N	B7HS	Q204
CWC6NJ	B6HS	Q203
CWC7NJ	B6HS	Q203
CWC9NJ	B7HS	Q204
CWC12NJ	B8HS	Q205
CWC67NJ	B6HS	Q203
CWF11L	BR8EIX	
CWP5N	BR6HIX	
CWP6N	BR6HIX	
CWP7N	BR6HIX	
CWP8L	BR7EIX	
CWP8N	BR7HIX	
CWP9L	BR8EIX	
CWP9N	BR8HIX	
CWP10L	BR9EIX	
CWP10N	BR9HIX	
CWP11L	BR10EIX	
CX6N	D6HA	
CX8L	D8EA	Q216
CX8N	D8HA	
DW4CJR	BR6S	
F6NC	BP5HS	
F6NCR	BPR5HS	
F7LC	BP6ES	
F7LCR	BPR6ES	
F7NC	BP6HS	
F7NCR	BPR6HS	Q214
F8LCR	BPR7ES	
FC6N	B5HS	
FC7N	B6HS	Q203
FC9L	BP8ES	
T7LC	BP6EFS	
TW7LP	BP6EFS	
TW78LP	BP6EFS	
MARCHAL → NGK		Quick
2/32H	B8ES	Q201
4N	B7HS	Q204
5H	B7ES	
5N	BP6HS	
5NCYCLO	BP6HS	
6N	BP5HS	
7H	BP6ES	
8H	BP6ES	
9H	BP5ES	

MARCHAL → NGK		Quick
17C	AB-7	
19C	AB-7	
19E	AB-7	
19L	AB-7	
20C	AB-6	
20E	AB-6	
20L	AB-6	
21C	AB-6	
21E	AB-6	
21L	AB-6	
34/5HS	BP6ES	
34C	B7S	
34CM	B7S	
34HS	B7ES	
34HSM	B7ES	
34S	B7HS	Q204
35	B6HS	Q203
35/1	BP6HS	
35/1B	BP6HS	
35/1D	BP6HS	
35/36D	B6HS	Q203
35/36P	B6HS	Q203
35/36R	B6HS	Q203
35B	B6HS	Q203
35C	B6S	Q302
35CM	B6S	Q302
35HA	BP6ES	
35HS	B6ES	
35M	B6HS	Q203
35P	B6HS	Q203
36	B5HS	
36B	B5HS	
36C	B-4	
36CM	B-4	
36D	B5HS	
36HS	B5ES	
36M	B5HS	
36P	B5HS	
37S	B5HS	
67HP	BR8EIX	
70H	BP6ES	
76H	BP5ES	
84H	BP5ES	
88N	B5HS	
11720	B8HS	Q205
12086	B8HS	Q205
41306	AB-8	
C7H	BP6EFS	
C64H	BP6EFS	
C68H	BP6EFS	
F70H	BCP7ES	
F80H	BCP7ES	
GT34	BP7HS	





Industry

MARCHAL	→ NGK	Quick
GT34/2H	BP6ES	
GT34/5	BP6HS	
GT34/5D	BP6HS	
GT34/5H	BP6ES	
GT34/5HA	BP6ES	
GT34/5HD	BP6ES	
GT34D	BP7HS	
GT34HD	BP6ES	
GT35	BP5HS	
GT35D	BP5HS	
GT35H	BP5ES	
GT35HD	BP5ES	
H32RG	B9EG	
H33RG	B8EG	
H34F	B8ES	Q201
HA32/2	B8ES	Q201
HA32RS	B9EG	
HF34	B7ES	
HF34F	B8ES	Q201
RR31HS	B10EG	
RR32HS	BR9EIX	
RR33HSS	BR8EIX	
SCGT34/5H	BP6EFS	
SCGT35H	BP6EFS	
V6NSOLEX	B5HS	
V36A	B5HS	
MOTORCRAFT	→ NGK	Quick
1Y00	BPR5ES	
1Y0A	BKR6E-11	
1Y0B	BKR7E-11	
1Y0F	DCPR7E	
1Y01	BPR6ES	
1Y03	BPR5ES-11	
1Y06	BKR5E	
1Y07	BKR6E	
1Y09	BKR5E-11	
A1	B8S	
A1CU	B8S	
A1X	B8S	
A2	B7S	
A2X	B7S	
A3	B6S	Q302
A3CU	B6S	Q302
A3NX	BM6A	
A3X	B6S	Q302
A4	B6S	Q302
A5	B6S	Q302
A5CU	B6S	Q302
A5X	B6S	Q302
A7	B-4	
A7N	BM6A	
A7NU	BM6A	
A7NX	BM6A	

MOTORCRAFT	→ NGK	Quick
A7U	B-4	
A7X	B-4	
A9	B-4	
A9X	B-4	
A21X	B8S	
A22NX	BPM7A	
A82	BP-4	
A901	B8S	
AE1C	B7HS	Q204
AE1X	B7HS	Q204
AE2	B7HS	Q204
AE2C	B7HS	Q204
AE2X	B7HS	Q204
AE3	B6HS	Q203
AE3C	B6HS	Q203
AE3X	B6HS	Q203
AE4	B5HS	
AE4X	B5HS	
AE6	B5HS	
AE7	B-4H	
AE8	B-4H	
AE22	BP6HS	
AE22C	BP6HS	
AE32	BP6HS	
AE32C	BP6HS	
AE42	BP5HS	
AE52	BP5HS	
AE62	BP5HS	
AE92	BP-4H	
AE901	B9HS	
AE901X	B9HS-10	
AER4	BR5HS	
AER4X	BR5HS	
AER32	BPR6HS	Q214
AG1	B8ES	Q201
AG1C	B8ES	Q201
AG1X	B8ES	Q201
AG2	B7ES	
AG2C	B7ES	
AG2CU	B7ES	
AG2X	B7ES	
AG3	B6ES	
AG3C	B6ES	
AG3X	B6ES	
AG4	B5ES	
AG5	B5ES	
AG5CU	B5ES	
AG7	B5ES	
AG9	B4ES	
AG9U	B4ES	
AG22	BP6ES	
AG22C	BP6ES	
AG22CU	BP6ES	



MOTORCRAFT → NGK		Quick
AG32A	BP6ES	
AG32C	BP6ES	
AG32CU	BP6ES	
AG42	BP5ES	
AG42CU	BP5ES	
AG44	ZGR5C	
AG52	BP5ES	
AG54	ZGR5C	
AG252	BP6ES	
AG252C	BP6ES	
AG403	R7376-10	
AG403C	R7376-10	
AG501	B10ES	
AG501X	BR10EIX	
AG603	BR9EIX	
AG603C	BR9EIX	
AG701	B9ES	Q202
AG701C	B9ES	Q202
AG701CU	B9ES	Q202
AG701X	BR9EIX	
AG901	B9ES	Q202
AG901C	B9ES	Q202
AG901CU	B9ES	Q202
AG901X	BR8EIX	
AG902	BP8ES	
AG903	B8EG	
AGF22C	BP6EFS	
AGF32CU	BP6EFS	
AGKO	BUE	
AGN42	BP5ES	
AGP12C	BCP7ES	
AGP701C	R7436-10	
AGPR22C	BKR6ES	
AGPR22CD	BKR6ES	
AGPR32C	BKR6ES	
AGPS22C	BKR6ES	
AGPS32C	BKR6ES	
AGR1X	BR8ES	Q207
AGR2C	BR7ES	
AGR3X	BR6ES	
AGR12C	BPR7ES	
AGR21	BR6ES	
AGR22	BPR6ES	
AGR22C	BPR6ES	
AGR22CU	BPR6ES	
AGR31	BR6ES	
AGR32	BPR6ES	
AGR32C	BPR6ES	
AGR32CU	BPR6ES	
AGR41	BR5ES	
AGR42	BPR5ES	
AGR42C	BPR5ES	
AGR42CU	BPR5ES	

MOTORCRAFT → NGK		Quick
AGR51	BR5ES	
AGR52	BPR5ES	
AGR82	BPR4ES	
AGR701X	BR9EIX	
AGR901X	BR8EIX	
AGS22C	BPR6ES	
AGS32C	BPR5ES	
AGS32C11	BPR5ES-11	
AGS42CC	BPR4ES	
AGSP52	BKR5ES	
AL5	B-6L	
AL5X	B-6L	
AL7	B-6L	
AL7U	B-6L	
AL7X	B-6L	
AR7N	BMR6A	
AR21X	BR6S	
AR31	BR6S	
AR41	BR6S	
AR51	BR6S	
AR82	BP-4	
AT1	B8S	
AT2	B7S	
AT3	B6S	Q302
AT4	B6S	Q302
AT4A	B6S	Q302
AT6	B6S	Q302
AT8	B-4	
ATL3	B-6L	
ATL4	B-6L	
AV1X	B8HS	Q205
AV2CU	B7HS	Q204
AV2X	B7HS	Q204
AV3CU	B6HS	Q203
AV4	B5HS	
AV6	B-4H	
AV6CU	B-4H	
AV22CU	BP6HS	
AV42	BP5HS	
AV52	BP5HS	
AV82	BP-4H	
AV701CU10	B9HS-10	
AV901CU	B9HS	
AV901X4	B9HS-10	
AVZKO	BUHX	
AYFS22C	PTR5A-13	
AYFS22FPM1	PTR5A-13	
AYFS22PP	PTR5A-13	
AYFS22PP1	PTR5A-13	
AYRF22P	PTR5A-13	
AYRF22PP	PTR5A-13	
AZ2	B7S	
AZ3	B6S	Q302





Industry

MOTORCRAFT → NGK		Quick
AZ9	B-4	
AZ901	B8S	
AZFS22C	PTR5A-13	
AZFS22PP	PTR5A-13	
AZFS32FE	PTR5A-13	
B2	AB-8	
B2W	AB-8	
B3W	AB-7	
B3X	AB-7	
B4	AB-7	
B4X	AB-7	
B6	AB-6	
B6W	AB-6	
B8	AB-6	
B8X	AB-6	
B9	AB-6	
BR8	AB-6	
BT2	AB-8	
BT3	AB-7	
BT4	AB-7	
BT6	AB-6	
BT8	AB-6	
BT9	AB-6	
BT10	AB-6	
BZ8	AB-6	
HE2	D8HA	
HE3	D6HA	
HG2	D8EA	Q216
HG2CU	D8EA	Q216
HG22	D8EA	Q216
HGR2C	DR8ES-L	Q218
HV2	D8HA	
HV3	D6HA	
HV22	D6HA	
PE3	C6HSA	
PV2	C7HSA	
PV3	C6HSA	
SPLITFIRE → NGK		Quick
SF406B	BR9EIX	
SF413B	D9EA	
SF419D	C6HSA	
SF426C	BPR6ES	
TP006C	BPR6EIX	
TP406B	BR9EIX	
TP406C	BR8EIX	
TP416B	DPR9EIX-9	
TP416C	DPR8EIX-9	
TP430C	CR8EIX	
SYM → NGK		Quick
98056FSA000	LR7D	
98059AAC9900	LR7D	
TACTI → NGK		Quick
V91102011	DCPR7E	

TACTI	→ NGK	Quick
V91102015	BPR4EY	
V91102024	BPR7ES	
V91102030	DCPR8E	
V91102035	BKR7E-11	
V91102042	BKR5E-11	
V91102043	BKR6E-11	
V91102044	BPR5E	
V91102047	BKR6E	
V91102207	BPR6EIX	
V91102209	DCPR8EIX	
V91102210	BR8EIX	
V91102211	BR9EIX	
V91102212	BR9EIX	
V91103007	BCPR6E	
V91103013	BPR4EY	
V91103021	BPR5E	
V91103025	B5ES	
V91103033	BR5HS	
V91103034	B5HS	
V91103035	B-6L	
V91103043	BP6ES	
V91103047	BPR6ES	
V91103049	BPR6ES-11	
V91103051	B6ES	
V91103057	BR6ES	
V91103065	BPR6EIX	
V91103068	BP6HS	
V91103072	BR6HS	Q209
V91103073	B6HS	Q203
V91103075	B6S	Q302
V91103076	BR6S	
V91103088	BPR7ES	
V91103093	B7ES	
V91103095	BR7EIX	
V91103098	BR7ES	
V91103110	BR5ES	
V91103121	BKR6E-11	
V91103130	BKR5E-11	
V91103145	BKR6E	
V91103173	PZFR6F	
V91103177	DCPR8E	
V91103178	DCPR6E	
V91103179	DCPR7E	
V91103180	DCPR8E	
V91103182	BKR6E-11	
V91103185	BKR6E-11	
V91103191	BKR5E	
V91103192	BKR7E-11	
V91103234	DCPR8EIX	
V91103241	BPR6EIX	
V91103243	DCPR8EIX	
V91103268	BPR6HS-10	
V91103304	BKR6EKC	



TACTI	→ NGK	Quick
V91104002	C6HSA	
V91104004	CR6HSA	
V91104006	C7HSA	
V91104008	CR7HSA	
V91104012	B-4H	
V91104013	BP-4H	
V91104014	BP4HS	
V91104019	BP5HS	
V91104021	BP7HS	
V91104024	BR7HS	Q211
V91104025	B7HS	Q204
V91104027	B7S	
V91104028	BP8ES	
V91104030	B8ES	Q201
V91104032	BR8EIX	
V91104033	BR8ES	Q207
V91104034	B8EG	
V91104037	BR8HS	Q212
V91104038	B8HS	Q205
V91104045	BR9ES	Q208
V91104046	B9ES	Q202
V91104047	B9EG	
V91104048	BR9EIX	
V91104052	B9HS	
V91104054	BR9HS	
V91104057	BR10EIX	
V91104062	B10ES	
V91104063	BR10EIX	
V91104076	D6EA	
V91104078	D6HA	
V91104086	DPR7EA-9	Q220
V91104090	D7EA	
V91104091	DR7EA	
V91104096	DPR7EA-9	Q220
V91104099	D8EA	Q216
V91104100	DR8EIX	
V91104101	DR8EA	
V91104103	D8HA	
V91104111	DPR7EA-9	Q220
V91104114	D9EA	
V91104115	DR9EIX	
V91104116	DR9EA	Q219
V91104119	D10EA	
V91104122	DR9EIX	
V91104126	CR8E	Q226
V91104127	CR8EH-9	Q228
V91104129	CR9EH-9	Q229
V91104131	CR9E	Q227
V91104149	BP6HSA	
V91104155	CR9EK	Q230
V91104157	D6EA	
V91104158	CR8EK	
V91104159	BR9ECM	

TACTI	→ NGK	Quick
V91105060	BKUR6ET	
V91105068	PTR5A-13	
V91105316	BR8EIX	
V91105317	BR9EIX	
V91105319	BR10EIX	
V91105362	CR8EIX	
V91105363	B8HCS	
V91105368	CR8EHIX-9	
V91105369	CR9EHIX-9	
V91105372	DR8EIX	
V91105373	DR9EIX	
V91105376	DPR8EIX-9	
V91105377	DPR9EIX-9	
V91105379	BR7HIX	
V91105380	BR8HIX	
V91105381	BR9HIX	
V91105391	BR8ECMIX	
V91105392	BR9ECMIX	
V91105393	BR10ECMIX	
V91106006	BP-4	
V91106008	B-4	
V91106009	B4ES	
V91106021	BP-4	
V91106022	BM6A	
V91106023	BPM6A	
V91106027	BPM7A	
V91106028	B9HS-10	
V91106037	BP6HS-10	
V91106044	BPR2ES	
V91106046	BPR2ES	
TORCH	→ NGK	Quick
8012	BPR6EIX	
A6RTC	CR6HSA	
A6TC	C6HSA	
A7RC	CR6HSA	
A7RTC	CR7HSA	
A7T	C7HSA	
A7TC	C7HSA	
A8RTC	CR8HSA	
A8TC	C8HSA	
B7RTC	CPR7EA-9	
B8RC	CR8E	Q226
C6RTC	D6HA	
D6RTC9	DPR6EA-9	
D7	D7EA	
D7CA	D7EA	
D7RC	D7EA	
D7RTC	DPR7EA-9	Q220
D7RTC9	DPR7EA-9	Q220
D7TC	DP7EA-9	
D8C	D8EA	Q216
D8RC	DR8EA	
D8RTC	DR8EA	





Industry

TORCH	→ NGK	Quick
D8T	D8EA	Q216
DK7RTC	DCPR7E	
E4RTC	BPR4HS	
E4TC	BP4HS	
E5RTC	BPR5HS	
E5T	BP-4H	
E5TC	BP5HS	
E6RC	BR6HS	Q209
E6RTC	BPR6HS	Q214
E6T	BP4HS	
E7C	B6HS	Q203
E8RC	BR8HS	Q212
E8RTC	BPR8HS	
F5C	B4ES	
F5RTC	BPR5ES	
F5TC	BP5ES	
F6RTC	BPR6ES	
F6T	BP6ES	
F7C	B7ES	
F7RC	BR7ES	
F7RTC	BPR7ES	
F8RC	BR8ES	Q207
F8RTC	BP8ES	
G3F	B-4	
G3TC	BP-4	
G4C	B-4	
G4RC	B-4	
G5RC	BR6S	
G6	B6S	Q302
G6C	B6S	Q302
G6RC	BR6S	
H5	B6S	Q302
K5RF11	BKR5E-11	
K6RF	BKR6ES	
K6RF11	BKR6E-11	
K6RTC	BKR5E-11	
K7RTC	BKR6ES	
L6	BM6A	
L6C	BM6A	
L6RC	BMR6A	
L6RTC	BPMR6A	
L6T	BPM6A	
L6TC	BPM6A	
L7T	BPM7A	
L7TC	BPM7A	
L9T	BPM7A	
Q6TC	BP6EFS	
R4C	AB-6	
T1137C	C7HSA	

APRILIA	→ NGK	Quick
2BEN000181	CPR8E	
2BEN000276	CPR8E	
2BEN000319	ZMR7AP	
297542	DR8EA	
297547	DR8EB	
297830	BR10EG	
297920	CR8E	Q226
297921	CR8EIX	
297942	DCPR9E	
297945	R0045Q-10	
438027	CR9E	Q227
897055	BR8ES	Q207
8122586	DR7EA	
8176075	BPR4HS	
8206870	BR7HS	Q211
8206871	BR8HS	Q212
8206873	BR8ES	Q207
8206915	BR9ES	Q208
8224684	CR7EB	
8224685	CR9EB	
8520007	CR7E	Q225
8550352	CR7E	Q225
8560146	CR7EKB	
8570084	CR8EB	
8600008	BR9ECM	
AP8540004	CR9E	Q227
AP8550352	CR9E	Q227
B043807	CR9EKB	
PA8570084	CR8EB	
BAJAJ	→ NGK	Quick
AZ351207	CPR8EA-9	
BETA	→ NGK	Quick
36110000	BPR7ES	
361100100	GR7CI-8	
BMW	→ NGK	Quick
11127675485	KR9CI	
12121342836	BKR7EKC	
12122343144	D8EA	Q216
12127650676	BKR7EKC	
12127653439	CR8EB	
12127653771	BKR7EKC	
12127664404	DR8EB	
12127671301	DCPR8EKC	
12127671302	BKR7EKC	
12127677560	DCPR8EKC	
12127681415	BKR7EKC	
12127699116	KR9CI	
12127710636	CR9EKB	
12127710681	MAR9B-JDS	
12127719772	LMAR9D-J	
12127722278	MAR9B-JDS	
12127726112	MAR8B-JDS	

BMW	→ NGK	Quick
12127728634	DCPR8EKC	
12127728635	KR9CI	
12127728657	LMAR8AI-8	
12128396345	LMAR9FI-10G	
12128532942	LMAR8D-J	
12128560811	LMAR8AI-10	
12128569360	LMAR8J-9E	
121276506763	BKR7EKC	
BOMBARDIER	→ NGK	Quick
415129484	PFR7AB	
512059533	BR9ECS-5	
512060294	PZFR6F	
DAYTONA	→ NGK	Quick
61479	BR8EIX	
61480	BR9EIX	
61481	CR8EIX	
61482	B8HCS	
61483	CR8EHIX-9	
61484	CR9EHIX-9	
61488	DR8EIX	
61489	DR9EIX	
61492	BPR8HIX	
61494	DPR8EIX-9	
DUCATI	→ NGK	Quick
67040351A	DCPR8E	
67040351B	DCPR8E	
67040381	MAR10A-J	
67040381A	MAR10A-J	
67040451A	MAR9A-J	
67040491A	KR8C-G	
HARLEY-D.	→ NGK	Quick
3	B-6L	
4	B-6L	
4R	B-6L	
4R5	BPR7HS-10	
5	B6S	Q302
5RL	ZGR5C	
6R12	DCPR7E	
8	BR10EIX	
10R12A	DCPR8E	
45	BP7HS	
HONDA	→ NGK	Quick
3191WZ0M5400	BPR4ES	
3191WZ0M5500	BPR5ES	
3191WZ0M5600	BPR6ES	
12290RSH0030	IFR6G-11K	
31901NN20030	BR6ES	
31901NX47020M1	R7376-10	
31901NX49010	R7376-10	
31908KRNA41	R0451B-8	
31908KRNA410M1	R0451B-8	



**OE**

HONDA	→ NGK	Quick
31908KTW901	LMAR8A-9	
31908KTW9010M1	LMAR8A-9	
31908KTW9011M1	LMAR8A-9	
31908MGC003	LMAR8A-9S	
31908MGC0031	LMAR8A-9S	
31908MGCA0000	LMAR8A-9S	
31909HL4003	SILMAR7A9S	
31909MENA31	SILMAR9A9S	
31909MENA310M1	SILMAR9A9S	
31909MGC0031	LMAR8A-9S	
31909MJP51	SILMAR8A9S	
31910MENA31	SILMAR10A9S	
31911HW1671	IMR9D-9H	
31911HW16710M1	IMR9D-9H	
31911KRN731	R0409B-8	
31911KRN7310M1	R0409B-8	
31911KSK731	BR9EG-N-8	
31911KSK7310M1	BR9EG-N-8	
31911MBTF21	IJR8B9	
31911MBTF210M1	IJR8B9	
31911MEEJ01	IMR8C-9HES	
31911MEEJ010M1	IMR8C-9HES	
31911MEEJ011M1	IMR8C-9HES	
31912MBWE11	IMR9C-9H	
31912MBWE110	IMR9C-9H	
31912MBWE111M1	IMR9C-9H	
31912MBWE112M1	IMR9C-9H	
31912MCW0030	IMR9B-9H	
31912MEE0000	IMR9C-9H	
31912MEEJ01	IMR8C-9HES	
31912MEL0030	IMR9C-9HES	
31912MELA	IMR9C-9HES	
31912MFL0030	IMR9E-9HES	
31912MGH641	IMR8E-9HES	
31916KPH901	CPR6EA-9	
31916KPH9010M1	CPR6EA-9	
31916KRM841	CPR8EA-9	
31916KRM8410M1	CPR8EA-9	
31916KRM8413M1	CPR8EA-9	
31916KWB601	CPR6EA-9S	
31916MEH0030	SIMR8A9	
31916ZY3004	IZFR6F11	
31916ZY30030	IZFR6F11	
31916ZY30032	IZFR6F11	
31917K40F01	SILMAR8C9	
31917KPH901	CPR7EA-9	
31918MEB671	IFR8H11	
31918MEB672	IFR9H11	
31918MEB6710M1	IFR8H11	
31919MEB671	IFR9H11	
31919MEB672	IFR8H11	
31919MEB6710M1	IFR9H11	
31922MBWE12	IMR9C-9H	

HONDA	→ NGK	Quick
31922MEL003	IMR9C-9HES	
31922MFL003	IMR9E-9HES	
31922MOW004	IMR9B-9H	
31926KRM841	CPR9EA-9	
31940NX57520M1	R7282-105	
31940NX59410	R7282-105	
31988GEV761	ER8EH-N	
31988GEV7611M1	ER8EH-N	
31989GEV761	ER9EH-N	
98059589J6	CR8EH-9S	
98059589K6	CR8EH-9S	
98595998H	IMR9A-9H	
98695798B	IJR7A9	
307170020	DR9EA	Q219
980565671R00	CR6HSA	
980565771R00	CR7HSA	
980595891F	CR8EHIX-9	
980595991F	CR9EHIX-9	
980595991U	IMR9A-9H	
980595992U	IMR9C-9H	
980695697Q	DCPR6E	
980695771P	DR7EA	
980695771P00	DR7EA	
980695771R	DR8EA	
980695791U	IJR7A9	
980695792U	IJR7A9	
980695797Q	DCPR7E	
980695871P	DR8EA	
980695871P00	DR8EA	
980695891F	DPR8EIX-9	
980695991F	DPR9EIX-9	
980765671G	BR6HSA	Q210
980765671G00	BR6HSA	Q210
980765672G	BR6HSA	Q210
980765871G	BR8HSA	
980765871G00	BR8HSA	
980765871G01	BR8HSA	
980765872G	BR8HSA	
980795514E	BKR5E-11	
980795514EH0	BKR5E-11	
980795515E	BKR5E-11	
980795515U	IFR5L11	
980795517U	IFR5L11	
980795585C	BKR5E	
980795585V	ZGR5A	
980795587V	ZGR5A	
980795614B	BKR6E-11	
980795614E	BKR6E-11	
980795615E	BKR6E-11	
980795615U	IFR6L11	
980795617U	IFR6L11	
980795617V	IFR6G-11K	
980795685C	BKR6E	



HONDA	→ NGK	Quick
980795714E	BKR7E-11	
980795714G	ZFR7F-11	
980795715E	BKR7E-11	
980795715G	ZFR7F-11	
980795785C	BKR7E	
980795814E	BKR8E-11	
980795815E	BKR8E-11	
980795915U	FR9BI-11	
980795917U	FR9BI-11	
8981999010	BPR5ES	
8983999010	BPR6ES	
9470100408	CR9EIA-9	
9804959716	ER9EH	
9804959726	ER9EH	
9805656713	C6HSA	
9805656716	CR6HS	Q223
9805656717	C6HA	
9805656718	CR6HSA	
9805656723	C6HSA	
9805656726	CR6HSA	
9805657713	C7HSA	
9805657716	CR7HS	
9805657718	CR7HSA	
9805657726	CR7HSA	
9805657918	CR7HSA-9	
9805658713	C8HSA	
9805658716	CR8HS	
9805658718	CR8HSA	
9805956916	CR6EH-9	
9805957910	CR7EH-9	
9805957916	CR7EH-9	
9805957926	CR7EH-9	
9805958816	CR8E	Q226
9805958816H0	CR8E	Q226
9805958910	C8EH-9	
9805958916	CR8EH-9	Q228
9805958920	C8EH-9	
9805958926	CR8EH-9	Q228
9805959816	CR9E	Q227
9805959816H0	CR9E	Q227
9805959916	CR9EH-9	Q229
9806158616	DPR8Z	
9806159616	DPR9Z	
9806656710	D6HA	
9806656717	D6HA	
9806658710	D8HA	
9806658714	D8HA	
9806658716	DR8HS	
9806658717	D8HA	
9806938716	DR8ES-L	Q218
9806938719	DR8ES-L	Q218
9806955911	DPR5EA-9	
9806955916	DPR5EA-9	

HONDA	→ NGK	Quick
9806956717	D6EA	
9806956916	DPR6EA-9	
9806957716	DR7ES	
9806957717	D7EA	
9806957719	DR7ES	
9806957726	DR7EA	
9806957911	DP7EA-9	
9806957916	DPR7EA-9	Q220
9806958716	DR8ES	Q217
9806958717	D8EA	Q216
9806958719	DR8ES	Q217
9806958726	DR8EA	
9806958911	DP8EA-9	
9806958912	DPR8EIX-9	
9806958916	DPR8EA-9	Q221
9806958922	DPR8EIX-9	
9806958926	DPR7EA-9	Q220
9806959717	D9EA	
9806959911	DP9EA-9	
9806959912	DPR9EIX-9	
9806959916	DPR9EA-9	Q222
9806959926	DPR7EA-9	Q220
9806960717	D10EA	
9807354710	B-4	
9807354744	BMR4A	
9807354754	BMR4A	
9807356740	BM6A	
9807356741	BPM6A	
9807356744	BMR6A	
9807356750	BM6A	
9807654710	B-4H	
9807654711	BP4HS	
9807654717	BPR4HS	
9807654719	BP4HS	
9807654747	BPR4HS	
9807654770	B-4H	
9807654780	B-4H	
9807655711	BP5HS	
9807655716	BR5HS	
9807655717	BPR5HS	
9807655719	BP5HS	
9807655747	BPR5HS	
9807656710	B6HS	Q203
9807656711	B6HS	Q203
9807656713	BP6HSA	
9807656715	BPR6HSA	
9807656716	BR6HS	Q209
9807656717	BPR6HS	Q214
9807656719	BP6HS	
9807656721	BP6HS	
9807656725	BPR6HSA	
9807656729	BPR6HS	Q214
9807656740	B6HS	Q203



**OE**

HONDA	→ NGK	Quick
9807656741	B6HS	Q203
9807656747	BPR6HS	Q214
9807656756	BPR6HS	Q214
9807656917	BPR6HS-10	
9807656927	BPR6HS-10	
9807657710	B7HS	Q204
9807657711	BP7HS	
9807657716	BR7HS	Q211
9807657717	BPR7HS	Q215
9807657719	BP7HS	
9807657740	B7HS	Q204
9807658710	B8HS	Q205
9807658711	BP8HS	
9807658713	BPR8HSA	
9807658715	BPR8HSA	
9807658716	BR8HS	Q212
9807658717	BPR8HS	
9807658719	BP8HS	
9807658740	B8HS	Q205
9807658747	BPR8HS	
9807659710	B9HS	
9807659716	BR9HS	
9807659740	B9HS	
9807952876	BPR2ES	
9807954817	BPR4ES	
9807954846	BPR4ES	
9807955145	BPR5ES-11	
9807955810	B5ES	
9807955811	BP5ES	
9807955816	BR5ES	
9807955817	BPR5ES	
9807955840	B5ES	
9807955841	BP5ES	
9807955846	BPR5ES	
9807955847	BR5ES	
9807955848	BR5ES	
9807955849	BR5ES	
9807955855	BPR5E	
9807955876	BPR5ES	
9807955876H0	BPR5ES	
9807956115	BPR6ES-11	
9807956140	BKR6E-11	
9807956145	BPR6ES-11	
9807956155	BPR6ES-11	
9807956810	B6ES	
9807956811	BP6ES	
9807956817	BR6ES	
9807956840	B6ES	
9807956841	BP6ES	
9807956844	BPR6EIX	
9807956846	BPR6ES	
9807956847	BR6ES	
9807956849	BR6ES	

HONDA	→ NGK	Quick
9807956854	BP6ES	
9807956855	BPR6ES	
9807956871H0	BP6ES	
9807956876H0	BPR6ES	
9807957176	BR6ES	
9807957614	BR7EIX	
9807957810	B7ES	
9807957816	BR7ES	
9807957840	B7ES	
9807957846	BPR7ES	
9807957847	BR7ES	
9807957848	BR7ES	
9807957849	BR7ES	
9807957855	BPR7ES	
9807957874	BR7EIX	
9807957876	BR7ES	
9807957877	BR7ES	
9807958644	BR8EIX	
9807958646	BR8EIX	
9807958648	B8EG	
9807958649	BR8EG	
9807958678	B8EG	
9807958679	BR8EG	
9807958810	B8ES	Q201
9807958816	BR8ES	Q207
9807958819	BR8ECS	
9807958840	B8ES	Q201
9807958841	BP8ES	
9807958845	BR8ECM	
9807958846	BR8ES	Q207
9807958847	BPR8ES	Q213
9807958857	BR8ES	Q207
9807958870	B8ES	Q201
9807958875	BR8ECM	
9807958876	BR8ES	Q207
9807959644	BR9EIX	
9807959646	BR9EIX	
9807959648	B9EG	
9807959649	BR9EG	
9807959659	BR9EG	
9807959678	B9EG	
9807959679	BR9EG	
9807959810	B9ES	Q202
9807959811	B9ES	Q202
9807959816	BR9ES	Q208
9807959819	BR9ECS	
9807959840	B9ES	Q202
9807959845	BR9ECM	
9807959847	BR9ES	Q208
9807959855	BR9ECM	
9807959870	B9ES	Q202
9807959875	BR9ECM	
9807959876	BR9ES	Q208



HONDA	→ NGK	Quick
9807960616	BR10EIX	
9807960646	BR10EIX	
9807960648	B10EG	
9807960649	BR10EG	
9807960676	BR10EIX	
9807960678	B10EG	
9807960679	BR10EG	
9807960817	BR10ES	
9807960819	BR10ECS	
9817956841	BP6ES	
98056577130A	C7HSA	
980565671300	C6HSA	
980565671301	C6HSA	
980565671700	CR6HSA	
980565771300	C7HSA	
980595781700	CR7E	Q225
980595791600	CR7E	Q225
980595881700	CR8E	Q226
980595891600	CR8E	Q226
980695771700	D7EA	
980695771702	D7EA	
980695791600	DPR7EA-9	Q220
980695871701	D8EA	Q216
980695891603	DPR8EA-9	Q221
980765671100	BP6HSA	
980765671902	BP6HS	
980765771901	BP7HS	
980795584103	BP5ES	
980795881001	B8ES	Q201
H98595998H	IMR9A-9H	
H98695798B	IJR7A9	
HUSQVARNA	→ NGK	Quick
8528522	LMAR8C-9	
ITALJET	→ NGK	Quick
94004	BR7HS	Q211
94015	DR8EA	
94025	BR8HS	Q212
94029	BR9ES	Q208
94032	CR7E	Q225
KAWASAKI	→ NGK	Quick
92070001	B7HS	Q204
92070007	B6HS	Q203
92070014	B6ES	
92070015	B7ES	
92070019	B6ES	
92070036	B9HS	
92070037	B8ES	Q201
92070053	B8ES	Q201
92070054	B9ES	Q202
92702077C	BPR5ES	
920700001	CR8EB	
920700007	IZFR6F11	
920700010	R6918B-9	

KAWASAKI	→ NGK	Quick
920700014	CR9EIA-9	
920700015	BR8ECMIX	
920700016	BR9ECMIX	
920700019	CR8E	Q226
920700020	CPR8EB-9	
920700022	CPR7EA-9	
920700029	CPR8EA-9	
920700036	ILZKAR7B11	
920700045	MR8CI-8	
920700047	SILMAR9B9	
920700534	B8ES	Q201
920700716	LMAR9G	
920701002	B7ES	
920701011	D8EA	Q216
920701014	BP8ES	
920701014B	BP8ES	
920701019	DR8ES	Q217
920701021	BR8ES	Q207
920701024	BP6ES	
920701025	BPR6ES	
920701027	BPR7ES	
920701034	D9EA	
920701044	BPR8ES	Q213
920701063	BR9EG	
920701064	BR8EG	
920701065	DPR8EA-9	Q221
920701066	DP8EA-9	
920701067	DP9EA-9	
920701068	DPR9EA-9	Q222
920701107	C7HSA	
920701109	BR9ES	Q208
920701113	DR7ES	
920701114	C6HSA	
920701114C	C6HSA	
920701116	DR8ES-L	Q218
920701124	DP7EA-9	
920701125	DPR7EA-9	Q220
920701133	BR10EG	
920701138	DPR6EA-9	
920701140C	BP8ES	
920701141C	BP7HS	
920701142	C9E	
920701143	CR9E	Q227
920701145	CR9EK	Q230
920701153	CR6HSA	
920701154	CR7HSA	
920701155	CR8HSA	
920701157	BR9ES	Q208
920701158	CR8EK	
920701165	DR7EA	
920701167	BP5ES	
920701168	C8E	
920701168B	C8E	



KAWASAKI	→ NGK	Quick
920701169	CR8E	Q226
920701169B	CR8E	Q226
920701173	BR10ES	
920701189	DR9EA	Q219
920701199	DR8EA	
920701202B	BP7HS	
920701209	CR7E	Q225
920701210	B9ES	Q202
920701218	C8HSA	
920701221	B10EG	
920701222	B8EG	
920701223	B9EG	
920701224	B9EG	
920701227	BR9EIX	
920701228	BR9EIX	
920701230	BR8EIX	
920701231	BR8EIX	
920701241	R6252K-105	
920701250	DPR5EA-9	
920701254	CR9EKPA	
920701263	BP8HS	
920701264	CR9EK	Q230
920701266	CR9E	Q227
920701270	BR8EIX	
920701271	BR9EIX	
920702051	BM6A	
920702052	BP4HS	
920702060	BMR6A	
920702061	BPR4HS	
920702062	BR6S	
920702072	BMR4A	
920702077	BPR5ES	
920702078	BR8ES	Q207
920702090	B-4H	
920702098	BR4-LM	
920702100	BMR2A	
920702102	BPM7A	
920702103	BMR2A-10	
920702108	BPMP6A	
920702109	BPM6A	
920702110	BPR2ES	
920702112	BPR4ES	
920702116	B6HS	Q203
920702117	BR6HS	Q209
920703701	BR7ES	
920703702	BR8ES	Q207
920703707	PMR9B	
920707004D	BPR4ES	
J4520IU24	CR8EIX	
J4520IU27	B8HCS	
J4520IU0131	R0373A-10	
J4520IUH24	CR8EHIX-9	
J4520IUH27	CR9EHIX-9	

KAWASAKI	→ NGK	Quick
J4520IW24	BR8EIX	
J4520IW27	BR9EIX	
J4520IW31	BR10EIX	
J4520IW0127	R7376-9	
J4520IW0131	R7376-10	
J4520IWF22	BR7HIX	
J4520IWF24	BR8HIX	
J4520IWF27	BR9HIX	
J4520IX24	DR8EIX	
J4520IX24B	DPR8EIX-9	
J4520IX27	DR9EIX	
J4520IX27B	DPR9EIX-9	
J4520IXU0127	R2525-9	
J4520TR24	BR8HS	Q212
J4520U20FSRU	CR6HSA	
J4520U22ESRN	CR7E	Q225
J4520U22FSL	C7HSA	
J4520U22FSRU	CR7HSA	
J4520U24ESRN	CR8E	Q226
J4520U27ESRN	CR9E	Q227
J4520U27ETR	CR9EK	Q230
J4520W20EPRU	BPR6ES	
J4520W20EPU	BP6ES	
J4520W20FPRU	BPR6HS	Q214
J4520W22FPRU	BPR7HS	Q215
J4520W24ESRU	BR8ES	Q207
J4520W27ESRU	BR9ES	Q208
J4520W27ESU	B9ES	Q202
J4520W31ESRU	BR10ES	
J4520X20EPRU9	DPR6EA-9	
J4520X20FSU	D6HA	
J4520X22EPRU9	DPR7EA-9	Q220
J4520X24EPRU9	DPR7EA-9	Q220
J4520X24EPU9	DP8EA-9	
J4520X24ESRU	DR8EA	
J4520X24ESU	D8EA	Q216
J4520X27EPRU9	DPR7EA-9	Q220
KOHLER	→ NGK	Quick
2513212S	BKR5EIX	
KTM	→ NGK	Quick
45239093000	LR8B	
47039093000	BR10ECMIX	
50339093100	BR9EIX	
51539093000	BR9ECMIX	
54331093210	BR10EG	
54331093310	BR8EG	
54331093410	BR8ECM	
55439193000	ZGR7GI-13G	
59039093000	CR8EK	
59039093100	DCPR8E	
60139093000	LKAR8BI9	
60439093000	LKAR9BI-10	
60439094000	LMAR7DI-10	

KTM	→ NGK	Quick
61039093000	DCPR8E	
61139093000	KR8DI	
61239093200	LKAR9BI9	
69139093000	LMAR7A-9	
75039093000	LKAR8AI-9	
77039093000	CR9EKB	
77239093000	LMAR9AI-8	
77839093000	LMAR9AI-10	
78039093000	LKAR8A-9	
LOTUS	→ NGK	Quick
A100E6277S	BKR6E	
MBK	→ NGK	Quick
9079Q0415500	B6HS	Q203
9079Q0415600	B7HS	Q204
9079Q0415700	B8HS	Q205
9079Q0415800	B7ES	
9079Q0415900	B8ES	Q201
9079Q0416000	B9ES	Q202
9079Q0416100	BPR6HS	Q214
9079Q0416200	BPR7HS	Q215
9079Q0416300	BR7HS	Q211
9079Q0416400	BR9ES	Q208
9079Q0491300	B9HS	
9079Q0507200	BR8HS	Q212
9079Q0579000	BR8ES	Q207
9079Q0579100	BR9HS	
9079Q0579200	CR7E	Q225
9079Q0579300	CR8E	Q226
9079Q3050100	CPR9EA-9	
MOTO GUZZI	→ NGK	Quick
887016	LMAR8F-9	
MV AGUSTA	→ NGK	Quick
8000B7884	CR9EIB-9	
80099561	CR9EKB	
PEUGEOT	→ NGK	Quick
5962A2	BP6ES	
5962A3	BP6HS	
5962C5	BKR6ES	
5962C6	BKR6ES	
5962H2	BKR6ES	
5962H8	BKR5ES	
5962H9	BKR5ES	
5962J9	BKR6ES	
5962K4	BKR6ES	
5962K6	BKR6ES	
5962R9	BKR6ES	
5962S2	BKR6ES	
5962S4	BKR5ES	
5962S7	BP5ES	
5962T8	BKR6ES	
5962TO	BKR6ES	
5962V6	BKR5ES	

PEUGEOT	→ NGK	Quick
5962V7	BKR6ES	
5962W1	BKR5ES	
59622A	BPR6ES	
59622T	BKR6EKC	
59622X	BKR6ES	
596205	BP6EFS	
596209	BP6EFS	
596213	BP6ES	
596214	BP6EFS	
596215	BP6EFS	
596216	BP6ES	
596222	BPR6EIX	
596271	BKR6ES	
596272	BP6EFS	
596280	BP6HS	
596282	BP6ES	
596287	BP6EFS	
596288	BP8ES	
596290	BP6HS	
726752	BR6HSA	Q210
734371	BR8HS	Q212
735592	BPR6HS	Q214
736954	BR7HS	Q211
736975	BR7ES	
737027	BPR5HS	
738155	BR8ES	Q207
742380	CR7E	Q225
744361	CPR8E	
746174	CR7EB	
754050	BR9ES	Q208
756756	DPR7EA-9	Q220
756757	B6HS	Q203
756758	BP5HS	
756759	B7HS	Q204
756760	B8HS	Q205
756761	BP6HS	
756762	B9ES	Q202
756763	B9HS	
756766	B8ES	Q201
756767	CPR8EB-9	
756768	BR9HS	
756770	B6ES	
758144	CR7HSA	
759874	CR7EKB	
760464	BPR7ES	
761605	CR9EB	
766420	CR7EKA	
768228	CR8EKB	
769618	CR8EB	
95496692	BP6HS	
95605398	B6HS	Q203
95611941	BP6EFS	
95619043	BP6ES	



**OE**

PEUGEOT	→ NGK	Quick
96064890	BKR5ES	
1173702700	BPR5HS	
AM212207A	B6HS	Q203
ZC9862090U	BP5ES	
ZCT000011	BP6HS	
PIAGGIO	→ NGK	Quick
1A010638	MR8BI-8	
1D001003	LMAR8EI-7	
31989GEV761	ER9EH-N	
438027	CR9E	Q227
638852	CR7EB	
638853	CR8EB	
639687	CR8EKB	
641387	ER9EH-6N	
828209	CR9EB	
829981	CR7EKB	
847085	B8ES	Q201
861612	BR8ES	Q207
887016	LMAR8F-9	
896472	PMR9B	
AP2BEN000088	BPR7HS	Q215
AP2BEN000276	CPR8E	
AP2BEN000319	ZMR7AP	
AP0297542	DR8EA	
AP0297547	DR8EB	
AP0297830	BR10EG	
AP0297942	DCPR9E	
AP8176075	BPR4HS	
AP8206870	BR7HS	Q211
AP8206871	BR8HS	Q212
AP8206915	BR9ES	Q208
AP8520007	CR7E	Q225
AP8540004	CR9E	Q227
AP8550352	CR9E	Q227
AP8600008	BR9ECM	
GU05717030	PMR8B	
POLARIS	→ NGK	Quick
3022332	GR9A-EG	
3022809	MR8F	
SKI-DOO	→ NGK	Quick
415128524	BR9ECS	
415129375	PZFR6F	
415129429	CR8EKB	
415129484	PFR7AB	
415129599	CR7EB	
415129944	MR8BI-8	
415130154	ILKR8Q7	
415159670	MR7BI-8	
420297948	ILKR8Q7	
512059552	BR9ECS-5	
707000246	DCPR8E	

SUBARU	→ NGK	Quick
22401AA020	BP6ES	
22401AA030	BP6ES	
22401AA120	BPR6ES-11	
22401AA130	BPR6ES-11	
22401AA200	BPR6ES	
22401AA210	BPR7ES	
22401AA220	BPR6ES	
22401AA310	BKR6E-11	
22401AA320	BKR6E-11	
22401AA480	BPR5ES-11	
22401AA510	BKR6EIX	
22401KA010	BKR6E-11	
22401KA030	BKR6E-11	
22401KA080	BKR6E	
22401KA090	BCPR6E	
22401KA100	BCPR6E	
22401KA130	BPR6ES	
22401KA150	BKR6E	
22401KA200	BKR5E-11	
22401KA240	DCPR7E	
22401KA260	DCPR7E	
22401KA310	DCPR8E	
22401KA320	DCPR8EIX	
22401KA340	KR8BI	
22401KA440	BKR5E	
320540800	B6ES	
320541110	B7ES	
320541120	BR7EIX	
320545700	BR6ES	
382420800	B5ES	
420543200	BP5ES	
420545502	BP6ES	
490010013	BPR6EIX	
490010033	BPR5ES	
820541810	B6HS	Q203
820541812	B6HS	Q203
820546010	B8HS	Q205
820547820	BR6HIX	
820548020	BR8HIX	
820548600	B6ES	
820549310	B7HS	Q204
820549312	B7HS	Q204
820549320	BR7HIX	
882417800	B5HS	
890573400	B6S	Q302
SUZUKI	→ NGK	Quick
9900079A45B0E	BR10EIX	
9900079A45B6H	BR6HIX	
9900079A45B7E	BR7EIX	
9900079A45B7H	BR7HIX	
9900079A45B8E	BR8EIX	
9900079A45B8H	BR8HIX	
9900079A45B9E	BR9EIX	



SUZUKI	→ NGK	Quick
9900079A3720F	BR6HIX	
9900079A3722E	BR7EIX	
9900079A3724E	BR8EIX	
9900079A3724R	BR8EIX	
9900079A3727R	BR9EIX	
9900079A3729E	BR10EIX	
9900079A3731E	BR10EIX	
9900079K24H24	CR8EHIX-9	
9900079K24H27	CR9EHIX-9	
9900079K24IW4	BR8EIX	
9900079K24IW7	BR9EIX	
9900079K24U24	CR8EIX	
9900079K24U27	B8HCS	
9900079K24W22	BR7HIX	
9900079K24W24	BR8HIX	
9900079K24W27	BR9HIX	
9900079K24W31	BR10EIX	
9900079K24X24	DR8EIX	
9900079K24X27	DR9EIX	
9900079K60K5R	BKR5EIX	
9900079K60K6R	BKR6EIX	
9900079K60P6R	BPR6EIX	
9900079K2424B	DPR8EIX-9	
9900079K2427B	DPR9EIX-9	
0948200006	B-4	
0948200011	B-4H	
0948200036	BP-4H	
0948200051	B6S	Q302
0948200053	B7S	
0948200054	B6ES	
0948200056	B8ES	Q201
0948200059	BP6HS	
0948200060	BP7HS	
0948200064	BR6HIX	
0948200065	BR7HIX	
0948200066	B9ES	Q202
0948200074	BP6HS	
0948200079	BR6ES	
0948200082	B7HS	Q204
0948200083	B7HS	Q204
0948200084	BP6HS	
0948200088	BR6HS	Q209
0948200089	B7ES	
0948200091	B8ES	Q201
0948200095	B6HS	Q203
0948200096	BR8EIX	
0948200097	BR9EIX	
0948200098	BR9ES	Q208
0948200102	BR8HS	Q212
0948200105	BP7HS	
0948200114	BR8EIX	
0948200115	BR9EIX	
0948200116	BR7HS	Q211

SUZUKI	→ NGK	Quick
0948200117	BR7ES	
0948200118	BP6ES	
0948200120	BP5HS	
0948200121	BR8ES	Q207
0948200124	BP5HS	
0948200127	BR9ES	Q208
0948200128	B6ES	
0948200131	BP5ES	
0948200141	BPR6HS	Q214
0948200142	B-4H	
0948200143	BR5HS	
0948200144	D8EA	Q216
0948200145	D8EA	Q216
0948200147	BPR5HS	
0948200149	DR8ES-L	Q218
0948200151	B8HS	Q205
0948200153	B7HS	Q204
0948200155	BPR5ES	
0948200157	BR8HS	Q212
0948200159	BPR4EY	
0948200161	BP4HS	
0948200170	BP4HA	
0948200171	BP4HS	
0948200175	BP8ES	
0948200177	BP6ES	
0948200181	BR10EIX	
0948200182	D7EA	
0948200183	D7EA	
0948200184	D9EA	
0948200185	D9EA	
0948200186	BP-4H	
0948200188	BP6HS	
0948200189	BP7HS	
0948200190	B6HS	Q203
0948200191	B7HS	Q204
0948200192	B8HS	Q205
0948200195	B7ES	
0948200196	B8ES	Q201
0948200198	B8HS	Q205
0948200205	BPR4HS	
0948200206	BPR4HS	
0948200208	BR8EIX	
0948200209	BR9EIX	
0948200210	BR10EIX	
0948200220	DR7ES	
0948200221	DR8ES	Q217
0948200222	DR7EA	
0948200223	DR8EA	
0948200225	B8ES	Q201
0948200228	BP5HS	
0948200229	BPR6HS	Q214
0948200230	BR8HS	Q212
0948200234	DR9EA	Q219



**OE**

SUZUKI	→ NGK	Quick
0948200237	B8HS	Q205
0948200239	BPR8ES	Q213
0948200255	BPR7HS	Q215
0948200258	BPMPR6A	
0948200259	BP6HS	
0948200264	BP6HS-10	
0948200265	BP6HS-10	
0948200268	BP8HS	
0948200280	BR8HS-10	
0948200281	BPR6HS	Q214
0948200282	B5HS	
0948200285	BPR6ES-11	
0948200289	B-4H	
0948200290	BP-4H	
0948200291	BP4HS	
0948200294	C6HA	
0948200295	C6HSA	
0948200299	BPR6ES	
0948200305	BP5HS	
0948200306	BPR6HS	Q214
0948200308	BR5HS	
0948200309	B5HS	
0948200314	CR7HSA	
0948200316	BPR5HS	
0948200321	C8HSA	
0948200325	BR8EIX	
0948200328	DP9EA-9	
0948200330	DPR9EA-9	Q222
0948200332	DP8EA-9	
0948200334	DPR8EA-9	Q221
0948200340	CR6HS	Q223
0948200348	BR8ES	Q207
0948200349	BR9ES	Q208
0948200351	B9ES	Q202
0948200352	DP7EA-9	
0948200354	DPR7EA-9	Q220
0948200359	BPR5HS	
0948200360	BR10ES	
0948200362	ZGR5A	
0948200366	JR9B	Q224
0948200367	BPR4HS	
0948200370	BR8HS-10	
0948200376	B8HS	Q205
0948200378	DCPR8E	
0948200379	DCPR8E	
0948200383	DCPR8EIX	
0948200384	DCPR8EIX	
0948200388	JR9B	Q224
0948200389	JR9B	Q224
0948200392	BP6ES	
0948200397	JR9C	
0948200398	DR7EA	
0948200399	DR8EA	

SUZUKI	→ NGK	Quick
0948200400	DR9EA	Q219
0948200404	LR8A	
0948200406	CR6HSA	
0948200407	CR6HSA	
0948200408	CR7HSA	
0948200409	BPR6ES	
0948200410	CR9EK	Q230
0948200411	CR9EK	Q230
0948200412	CR8EK	
0948200413	CR8EK	
0948200414	CR7EK	
0948200421	BPR6ES-11	
0948200427	BKR6E	
0948200429	BKR6E	
0948200430	R0373A-10	
0948200432	BPR5E	
0948200446	DCPR6E	
0948200447	DCPR6E	
0948200448	DCPR7E	
0948200449	DCPR7E	
0948200450	DCPR8E	
0948200452	ZGR5A	
0948200456	CR8E	Q226
0948200457	CR8E	Q226
0948200458	CR9E	Q227
0948200459	CR9E	Q227
0948200460	CR10E	
0948200461	CR10E	
0948200462	CR10EK	
0948200463	CR10EK	
0948200468	BPR5E	
0948200470	BR8ECM	
0948200472	BR9ECM	
0948200473	BR9ECM	
0948200476	BKR5E	
0948200477	BKR5E	
0948200478	B10ES	
0948200481	DCPR8EIX	
0948200484	DCPR8EIX	
0948200485	CR8HSA	
0948200487	BPR6ES	
0948200488	DCPR7E	
0948200491	JR8B	
0948200494	BKR6E-11	
0948200495	BPR7ES	
0948200497	BKR5E-11	
0948200498	BPR7ES	
0948200499	BR8EIX	
0948200500	BR9EIX	
0948200508	BKR6E-11	
0948200509	R6918B-8	
0948200513	R0045Q-10	
0948200515	CR7E	Q225



SUZUKI	→ NGK	Quick
0948200516	CR7E	Q225
0948200519	BR9EYA	
0948200522	BPR7HS-10	
0948200523	BPR8HS	
0948200528	CR6E	
0948200530	BPR6HS	Q214
0948200531	BP6HS	
0948200537	DCPR9EIX	
0948200554	CR7EIA-9	
0948200556	CR8EIA-9	
0948200557	CR9EIA-9	
0948200558	CR9EIA-9	
0948200561	BR8EG	
0948200564	BR9EYA	
0948200565	KR8AI	
0948200566	BKR5E-11	
0948200570	CR8EB	
0948200581	CR8EKB	
0948200582	CR9EKB	
0948200584	CR8EIB-10	
0948200590	CR6EIA-9	
0948200597	CR8EIA-10	
0948200612	MR8AI9	
0948200646	MR8E-9	
0948269001	BPR6HS	Q214
9482001197	B9ES	Q202
9900069571	C7HSA	
9900069835B6R	BR6HIX	
9900069835B7R	BR7HIX	
9900069835B8R	BR8HIX	
9900069835BR1	BR10EIX	
9900069835BR8	BR8EIX	
9900069835BR9	BR9EIX	
9900069835CR8	CR8EIX	
9900069835CR9	B8HCS	
9900069835DC8	DCR8EIX	
9900069835DR8	DR8EIX	
9900069835DR9	DR9EIX	
9900069835PR8	DPR8EIX-9	
9900069835PR9	DPR9EIX-9	
0948200167001	BPR5ES	
0948200233111	BR9ES	Q208
0948200240111	BPR8ES	Q213
0948200244111	BPR7HS	Q215
0948200247111	BR8ES	Q207
0948200302111	BPR6HS	Q214
0948200320111	CR8HSA	
0948200331111	DPR7EA-9	Q220
0948200333111	DP8EA-9	
0948200335111	DPR7EA-9	Q220
0948200349000	BR9ES	Q208
0948200355111	DPR7EA-9	Q220
0948200416111	BPR5HS	

SUZUKI	→ NGK	Quick
0948200600000	DIMR8C10	
TOYOTA	→ NGK	Quick
90919YZZAC	BKR6E-11	
0419534140	BP5ES	
0419534150	BP6ES	
9004851158	BKR5E-11	
9009800835	BUHX	
9009809775	BP-4	
9009809815	BP-4	
9009814055	B4ES	
9009814425	BPR4EY	
9009814515	BP-4H	
9009814645	B-4H	
9009814685	BP4HS	
9009814715	B-4	
9009814775	BP-4	
9009814815	BP-4	
9009816325	BPR5ES	
9009816455	B5ES	
9009816505	B5ES	
9009816515	BP5HS	
9009816645	B5ES	
9009816745	BPR5E	
9009816935	BR5ES	
9009817015	AB-6	
9009817025	AB-6	
9009820276	B6S	Q302
9009820325	BPR6ES	
9009820355	BM6A	
9009820415	C6HSA	
9009820455	B6ES	
9009820465	D6EA	
9009820485	D6HA	
9009820505	B6ES	
9009820515	BP6HS	
9009820525	BP6HSA	
9009820635	BP6EFS	
9009820645	B6HS	Q203
9009820695	BP6ES	
9009820745	BPR6ES	
9009820765	C6HSA	
9009820885	BP6EFS	
9009820905	BR6ES	
9009820925	BP6HS-10	
9009820935	BR6ES	
9009822015	AB-7	
9009822025	AB-7	
9009822276	B7S	
9009822325	BPR7ES	
9009822415	C7HSA	
9009822455	B7ES	
9009822465	D7EA	
9009822475	DR7EA	



**OE**

TOYOTA	→ NGK	Quick
9009822505	B7ES	
9009822515	BP7HS	
9009822645	B7HS	Q204
9009822745	BPR7ES	
9009822765	C7HSA	
9009822905	BR7ES	
9009822935	BR7ES	
9009824125	BP8ES	
9009824276	B8S	
9009824465	D8EA	Q216
9009824475	DR8EA	
9009824485	D8HA	
9009824495	DR8HS	
9009824505	B8ES	Q201
9009824645	B8HS	Q205
9009824695	BP8ES	
9009824935	BR8ES	Q207
9009825305	B8EG	
9009825375	BR8HIX	
9009827305	B9EG	
9009827465	D9EA	
9009827475	DR9EA	Q219
9009827505	B9ES	Q202
9009827645	B9HS	
9009827935	BR9ES	Q208
9009831305	B10EG	
9009831465	D10EA	
9009831505	B10ES	
9009866016	B-6L	
9009866024	BR5HS	
9009866047	BKR5E-11	
9009866053	BKR5E	
9009866058	BPR5E	
9009870003	BPR6ES-11	
9009870004	BPR6ES-11	
9009870005	BKR6E-11	
9009870023	CR6HSA	
9009870024	BR6HS	Q209
9009870025	BR6S	
9009870030	BPM6A	
9009870032	BPR6EIX	
9009870033	BPR6EIX	
9009870040	BKR6E-11	
9009870043	BP6ES	
9009870047	BKR6E-11	
9009870051	DCPR6E	
9009870053	BKR6E	
9009870058	BPR6ES	
9009870081	PZFR6F	
9009870082	BCPR6E	
9009870106	BPR6HS-10	
9009872021	DPR7EA-9	Q220
9009872023	CR7HSA	

TOYOTA	→ NGK	Quick
9009872024	BR7HS	Q211
9009872030	BPM7A	
9009872036	BR7EIX	
9009872047	BKR7E-11	
9009872051	DCPR7E	
9009874013	B8EG	
9009874021	DPR7EA-9	Q220
9009874024	BR8HS	Q212
9009874036	BR8EIX	
9009874037	DR8EIX	
9009874042	DP8EA-9	
9009874051	DCPR8E	
9009874052	DCPR8EIX	
9009877013	B9EG	
9009877014	B9HS-10	
9009877019	DPR9Z	
9009877021	DPR7EA-9	Q220
9009877024	BR9HS	
9009877036	BR9EIX	
9009877037	DR9EIX	
9009877088	C9E	
9009877102	JR9B	Q224
9009877111	CR9EHIX-9	
9009879036	BR10EIX	
9009879037	DR9EIX	
9009881036	BR10EIX	
9009881089	CR10EK	
9091901051	BPR5ES	
9091901073	B5ES	
9091901103	BPR4EY	
TRIUMPH	→ NGK	Quick
T1290024	DPR8EA-9	Q221
T1290180	DPR8EA-9	Q221
YAMAHA	→ NGK	Quick
9079ENG001	BR8EIX	
9079ENG002	BR9EIX	
9079ENG003	BR10EIX	
9079ENG004	BR8EIX	
9079ENG005	BR9EIX	
9470100N02	BR9EIX	
9079320001	BR7EIX	
9079320002	BR8EIX	
9079320003	BR9EIX	
9079320004	BR10EIX	
9079320005	BR6HIX	
9079320006	BR7HIX	
9079320007	BR8HIX	
9079320011	DR8EIX	
9079320012	DR9EIX	
9079320013	DPR8EIX-9	
9079320014	DPR9EIX-9	
9079320017	BR10HIX	
9079320018	BR10EIX	



YAMAHA	→ NGK	Quick
9079320022	DR8EIX	
9079320023	DR9EIX	
9079320029	BR10EIX	
9079320030	BR10EIX	
9079320031	BR10EIX	
9079320032	B10EG	
9079320035	BP-4H	
9079320039	BP6HSA	
9079320051	D8HA	
9079320053	D10EA	
9079320057	BR6HS	Q209
9079320060	BR6ES	
9079320062	BPR8ES	Q213
9079320071	CR7HS	
9079320072	CR8HS	
9079320075	DR8HS	
9079320076	DR7ES	
9079320077	DR8ES	Q217
9079320080	DPR7EA-9	Q220
9079320083	DPR8EIX-9	
9079320084	DPR9EIX-9	
9079320090	BPM7A	
9079320099	BR9HIX	
9079320100	BR10HIX	
9079320103	BPR8HIX	
9079320107	BPR6EIX	
9079320112	BR8EIX	
9079320115	BR10EIX	
9079320117	BPR6EIX	
9079320118	BR9EIX	
9079320119	DPR8EIX-9	
9079320120	DPR9EIX-9	
9079320122	CR8EIX	
9079320124	CR8EIX	
9079320128	BR4ES	
9079320129	BPR7HS-10	
9079320131	BR5HS	
9079320132	CR6HSA	
9079320133	CR7HSA	
9079320134	BR8EG	
9079320135	BR9EG	
9079320136	BR10EG	
9079320138	BPR6EIX	
9079320139	BR8ECM	
9079320149	R0373A-10	
9079320150	CR8EIX	
9079320151	B8HCS	
9079320152	DR8EIX	
9079320153	DR9EIX	
9079320154	DPR8EIX-9	
9079320155	DPR9EIX-9	
9079320158	BR6HIX	
9079320159	BR7HIX	

YAMAHA	→ NGK	Quick
9079320160	BR8EIX	
9079320161	BR9EIX	
9079320162	CR8EHIX-9	
9079320163	CR9EHIX-9	
9079320164	BR8HIX	
9079320165	BR10EIX	
9079320166	BPR8HIX	
9079320168	BPR6EIX	
9079322001	BR8HIX	
9079322008	B5ES	
9079322010	B9ES	Q202
9079322031	BR7HS	Q211
9079322032	BR8HS	Q212
9079322034	BR8HS-10	
9079322035	BR6ES	
9079322036	BR7ES	
9079322037	BR9ES	Q208
9079322039	BR8HS	Q212
9079322047	DPR7EA-9	Q220
9079322064	BR9EIX	
9079322065	BR9EIX	
9079322088	BR8EIX	
9079322089	BR9EIX	
9079322091	BR10EIX	
9079322094	CR8EIX	
9079322095	B8HCS	
9079322096	CR8EHIX-9	
9079322097	CR9EHIX-9	
9079322099	DPR8EIX-9	
9079322100	DPR9EIX-9	
9079322107	DR8EIX	
9079322108	DR9EIX	
9079322109	BR7HIX	
9079322110	BR8HIX	
9079322111	BR9HIX	
9089078065	D6HA	
9089078066	D6EA	
9089078068	DP9EA-9	
9089078070	B9HS-10	
9089078071	BP8HS	
9089078073	BP4HA	
9089078074	BM6A	
9089078076	BPM6A	
9089078077	BR9HS	
9089078079	BPR6EIX	
9089078082	BR10EIX	
9089078086	BR8ES	Q207
9089078094	B6HS	Q203
9089078097	BP4HS	
9089078102	BM6A	
9089078108	BR7EIX	
9089078110	BR9EIX	
9089078111	BR10EIX	



**OE**

YAMAHA	→ NGK	Quick
9089078112	BR10EIX	
9089078115	BR9HIX	
9089078116	BR10HIX	
9089078118	DR8EIX	
9470000039	B6HS	Q203
9470000040	B7HS	Q204
9470000041	B8HS	Q205
9470000043	B6ES	
9470000044	B7ES	
9470000045	B8ES	Q201
9470000050	BP7HS	
9470000108	BP6HS	
9470000110	BR7HS	Q211
9470000111	BR6ES	
9470000118	BP8ES	
9470000157	D8EA	Q216
9470000159	BP4HS	
9470000168	BP5HS	
9470000189	D7EA	
9470000195	BR8HS	Q212
9470000198	BPR6HS	Q214
9470000203	DR8ES-L	Q218
9470000204	BR8ES	Q207
9470000208	DR7ES	
9470000213	C6HA	
9470000218	BPR7ES	
9470000219	BPR8ES	Q213
9470000227	BPR7HS	Q215
9470000232	BP6HS-10	
9470000234	BPR6ES	
9470000241	DPR8EA-9	Q221
9470000248	BR6HS	Q209
9470000250	CR7HS	
9470000254	C7HSA	
9470000256	C6HSA	
9470000258	BPR4HS	
9470000261	BR9ES	Q208
9470000262	DPR7EA-9	Q220
9470000263	DP7EA-9	
9470000268	BP8HS	
9470000275	DP8EA-9	
9470000280	BPR8HS	
9470000282	CR6HS	Q223
9470000292	BPR6HS-10	
9470000318	CR9E	Q227
9470000330	CR8E	Q226
9470000333	DR8EA	
9470000336	BPR5HS	
9470000340	DR9EA	Q219
9470000345	DR7EA	
9470000353	CR7E	Q225
9470000361	DPR9EA-9	Q222
9470000366	CR7HSA	

YAMAHA	→ NGK	Quick
9470000372	CR6HSA	
9470000375	DPR6EA-9	
9470000381	CR6E	
9470000394	R0373A-10	
9470000397	B9HS	
9470000402	CR10EK	
9470000403	CR9EK	Q230
9470000406	DPR5EA-9	
9470000408	CR9EIA-9	
9470000410	CR9E	Q227
9470000411	CR8E	Q226
9470000420	CPR7EA-9	
9470000424	LMAR9E-J	
9470000825	BP7HS-10	
9470000835	C7HSA	
9470000840	CR7E	Q225
9470000841	C6HSA	
9470000850	C6HSA	
9470000856	CR7HSA	
9470000866	CPR8EA-9	
9470000871	CPR9EA-9	
9470000879	CR6HSA	
9470100039	B6HS	Q203
9470100040	B7HS	Q204
9470100041	B8HS	Q205
9470100042	B9HS	
9470100043	B6ES	
9470100044	B7ES	
9470100045	B8ES	Q201
9470100046	B9ES	Q202
9470100048	B8HCS	
9470100050	BP7HS	
9470100061	BR8EIX	
9470100063	BR9EIX	
9470100069	B5HS	
9470100078	B5ES	
9470100108	BP6HS	
9470100110	BR7HS	Q211
9470100111	BR6ES	
9470100112	BR7ES	
9470100113	BR8EIX	
9470100116	BP6ES	
9470100118	BP8ES	
9470100148	BR8HIX	
9470100157	D8EA	Q216
9470100159	BP4HS	
9470100168	BP5HS	
9470100188	BR9ES	Q208
9470100189	D7EA	
9470100193	BR9EIX	
9470100194	BPR5HS	
9470100195	BR8HS	Q212
9470100198	BPR6HS	Q214



YAMAHA	→ NGK	Quick
9470100203	DR8ES-L	Q218
9470100204	DR8ES	Q217
9470100208	DR7ES	
9470100211	BPMR6A	
9470100218	BPR7ES	
9470100219	BPR8ES	Q213
9470100227	BPR7HS	Q215
9470100232	BP6HS-10	
9470100234	BPR6ES	
9470100241	DPR8EA-9	Q221
9470100247	BR8HS-10	
9470100248	BR6HS	Q209
9470100250	CR7HS	
9470100251	BR9HS	
9470100254	C7HSA	
9470100256	C6HSA	
9470100258	BPR4HS	
9470100262	DPR7EA-9	Q220
9470100263	DP7EA-9	
9470100264	BP7HS-10	
9470100266	D9EA	
9470100267	BP8ES	
9470100268	BP8HS	
9470100275	DP8EA-9	
9470100280	BPR8HS	
9470100282	CR6HS	Q223
9470100284	BPR6EIX	
9470100285	BPR6EIX	
9470100287	DR8ES	Q217
9470100292	BPR6HS-10	
9470100311	BR5ES	
9470100315	C9E	
9470100318	CR9E	Q227
9470100324	BR9EG	
9470100325	B9EG	
9470100328	BPR5ES	
9470100330	CR8E	Q226
9470100333	DR8EA	
9470100340	DR9EA	Q219
9470100345	DR7EA	
9470100349	BR7ES	
9470100353	CR7E	Q225
9470100356	BR10ES	
9470100358	C7E	
9470100361	DPR9EA-9	Q222
9470100366	CR7HSA	
9470100372	CR6HSA	
9470100375	DPR6EA-9	
9470100381	CR6E	
9470100386	CR10EK	
9470100395	CR9EK	Q230
9470100402	CR10EK	
9470100403	CR9EK	Q230

YAMAHA	→ NGK	Quick
9470100406	DPR5EA-9	
9470100407	CR9EIA-9	
9470100408	CR9EIA-9	
9470100410	CR9E	Q227
9470100411	CR8E	Q226
9470100415	CPR8EA-9	
9470100420	CPR7EA-9	
9470100422	LMAR7A-9	
9470100423	LMAR6A-9	
9470100424	LMAR9E-J	
9470100434	LMAR8G	
9470200039	B6HS	Q203
9470200040	B7HS	Q204
9470200041	B8HS	Q205
9470200044	B7ES	
9470200045	B8ES	Q201
9470200046	B9ES	Q202
9470200069	B5HS	
9470200111	BR6ES	
9470200149	B7HS	Q204
9470200188	BR9ES	Q208
9470200193	BR9EIX	
9470200195	BR8HS	Q212
9470200204	BR8ES	Q207
9470200211	BPMR6A	
9470200227	BPR7HS	Q215
9470200234	BPR6ES	
9470200247	BR8HS-10	
9470200248	BR6HS	Q209
9470200249	BR5HS	
9470200251	BR9HS	
9470200272	BR7HS	Q211
9470200317	B9HS-10	
9470200323	B8EG	
9470200324	BR9EG	
9470200325	B9EG	
9470200326	BR8EG	
9470200331	BPR4ES	
9470200343	BR4ES	
9470200348	BPR2ES	
9470200349	BR7ES	
9470200351	BP8ES	
9470200356	BR10ES	
9470200357	BR9ECM	
9470200367	B10EG	
9470200368	BR10EG	
9470200373	R7376-10	
9470200374	R7282-105	
9470200383	BR9ECS	
9470200384	BR10ECS	
9470200403	CR9EKB	
9470200409	CR9EB	
9470200412	BKR6E	



**OE**

YAMAHA	→ NGK	Quick
9470200428	CPR8EB-9	
9470200803	BP7HS-10	
9470200808	BR8ES	Q207
9470300001	B-4H	
9470300039	B6HS	Q203
9470300040	B7HS	Q204
9470300041	B8HS	Q205
9470300042	B9HS	
9470300043	B6ES	
9470300044	B7ES	
9470300045	B8ES	Q201
9470300046	B9ES	Q202
9470300050	BP7HS	
9470300059	BR7HIX	
9470300060	BR9HIX	
9470300062	BR6HIX	
9470300065	BR7EIX	
9470300069	B5HS	
9470300074	BR8EIX	
9470300075	BR9EIX	
9470300078	B5ES	
9470300108	BP6HS	
9470300110	BR7HS	Q211
9470300112	BR7ES	
9470300113	BR8EIX	
9470300114	BR9EIX	
9470300116	BP6ES	
9470300118	BP8ES	
9470300133	BP5ES	
9470300143	BR8HIX	
9470300148	BR8HIX	
9470300157	D8EA	Q216
9470300159	BP4HS	
9470300168	BP5HS	
9470300181	D8EA	Q216
9470300188	BR9ES	Q208
9470300189	D7EA	
9470300194	BPR5HS	
9470300198	BPR6HS	Q214
9470300203	DR8ES-L	Q218
9470300204	BR8ES	Q207
9470300207	B4ES	
9470300213	C6HA	
9470300214	C6HSA	
9470300216	C7HSA	
9470300218	BPR7ES	
9470300220	BPR7ES	
9470300222	DR8EA	
9470300223	BP6HS	
9470300227	BPR7HS	Q215
9470300232	BP6HS-10	
9470300234	BPR6ES	
9470300235	BPR6HS-10	

YAMAHA	→ NGK	Quick
9470300241	DPR7EA-9	Q220
9470300254	C7HSA	
9470300256	C6HSA	
9470300258	BPR4HS	
9470300262	DPR7EA-9	Q220
9470300263	DP7EA-9	
9470300264	BP7HS-10	
9470300265	CR7HSA	
9470300266	D9EA	
9470300267	BP8ES	
9470300275	DP8EA-9	
9470300277	BR9EIX	
9470300279	BR8EIX	
9470300282	CR6HS	Q223
9470300307	C9E	
9470300311	BR5ES	
9470300314	C8E	
9470300315	C9E	
9470300318	CR9E	Q227
9470300319	CR9E	Q227
9470300323	B8EG	
9470300325	B9EG	
9470300327	BPR7HS	Q215
9470300328	BPR5ES	
9470300329	CR8E	Q226
9470300330	CR8E	Q226
9470300331	BPR4ES	
9470300333	DR8EA	
9470300340	DR9EA	Q219
9470300345	DR7EA	
9470300352	CR7E	Q225
9470300353	CR7E	Q225
9470300355	BR7HS	Q211
9470300381	CR6E	
9470300406	DPR5EA-9	
9470300410	CR9E	Q227
9470300411	CR8E	Q226
9470300420	CPR7EA-9	
9470300422	LMAR7A-9	
9470300423	LMAR6A-9	
9470300424	LMAR9E-J	
9470900193	BR9EIX	
9470900195	BR8HS	Q212
9470900211	BPMR6A	
9470900247	BR8HS-10	
9470900248	BR6HS	Q209
9470900324	BR9EG	
9470900326	BR8EG	
9470900337	BR10EIX	
9470900342	BPR4EY	
9470900348	BPR2ES	
9470900357	BR9ECM	
9470900373	R7376-10	



YAMAHA	→ NGK	Quick
9470900383	BR9ECS	
9470900384	BR10ECS	
9470900409	CR9EB	
94702003910	B6HS	Q203
947000083500IV	C7HSA	
947000085000IV	C6HSA	
ZONGSHEN	→ NGK	Quick
1452	CR7HSA	
1453	BP7HS	







DISCONTINUED PRODUCTS



IGNITION
PARTS



A-6	AB-6
A-7	AB-7
A-8	AB-8
A-8F	A8FS
A-9F	A9FS
APR5FS-11	APR5FS
B10H	B10HS
B10HN	R5525-10
B11HP	R5525-11
B-2-10	B-2
B-4-10	B-4
B5ES-11	B5ES
B6EFS	BR6EF
B6HVX	BR6HIX
B7ET	BR7ET
B8EM	BR8EM
B8ES-11	B8ES
B8ET	BR8ET
B8HN	R5525-8
B9HP	R5530-9
BCP4ES	BCPR4ES-11
BCP5E-11	BCPR5E-11
BCP5ES	BCPR5ES
BCP5EVX	BCPR5EIX
BCP5EY-11	BCPR5EY-11
BCP6E-11	BKR6E-11
BCP6ES	BCPR6ES
BCP6EV	BCP6EVX
BCPR5EVX-11	BCPR5EIX-11
BCPR6ET	BKUR6ET
BCPR6EVX-11	BCPR6EIX-11
BCPR7ER	BKR6EK
BCPR7EY	BCPR7E
BK5EKU	BKR5EKU
BK7EKU	BKR7EKU
BKR5EP-8	BKR5EIX-P
BKR5EVX	BKR5EIX
BKR5EVX-11	BKR5EIX-11
BKR5EVXA-13	PFR5G-13E
BKR6EIX-LPG	LPG1
BKR6EVX	BKR6EIX
BKR6EVXA-13	PFR6G-13E
BKR7E-N	BKR7E
BKR7EVX	BKR7EIX
BKR7EVX-11	BKR7EIX-11
BKR7EY-11	BKR7E-11
BKR8ES	PFR8B
BKUR5E-11	BKR5E-11
BP10EV	BPR10EIX
BP2HS-10	BP2HS
BP4ES-13	BPR4ES-13
BP5EA	BP4EY
BP5EA-11	BP4EY-11
BP5EA-L	BP5EY
BP5EA-L-11	BP5EY-11
BP5EJ	BPR5EJ
BP6EA	BP6EY
BP6EA-11	BP6EY-11
BP6EF-13	BPR6EF-13
BP6EJ	BPR6EY-11
BP6EKA-V	BPR6EK-A
BP6EKN	BPR6EKN
BP7E	BPR7E

BP7EKN	BPR7EKN
BP7ES	BPR7ES
BP7EY-11	BPR7EY-11
BP8ES-11	BP8ES
BP8FS	R5674-8
BP8HSA	BPR8HSA
BP8HVX	BPR8HIX
BPR-2E	BPR2ES
BPR4EVX	GR4IX
BPR4S-15	BP-4
BPR5EA-11	BPR5EY-11
BPR5EF-13	BPR5EFS-13
BPR5EFVX	TR5IX
BPR5EP-13	BPR5EP-11
BPR5EVX	BPR5EIX
BPR5EVX-11	BPR5EIX-11
BPR5S	BP5S
BPR6EVX	BPR6EIX
BPR6EVX-11	BPR6EIX-11
BPR6E-ZP	PGR6A
BPR6FS-15	BPR6FS
BPR6HVX	BPR6HIX
BPR6S	BP6S
BPR7EVX	BPR7EIX
BPR7HVX	BPR7HIX
BPR8EVX	BPR8EIX
BR10ECMVX	BR10ECMIX
BR10EV	BR10EIX
BR4HSA-9	BPR4HSA
BR5ES-11	BR5ES
BR5FS-15	BR5FS
BR6EB	BR6ES
BR7EB-11	BUR7EB-11
BR7ES-11	BR7ES
BR7EVX	BR7EIX
BR9ECMVX	BR9ECMIX
BU6EA-11	BUR6EA-11
BU6EB-11	BUR6EB-11
BU7EA-11	BUR7EA-11
BUEW	BUE
BUR5EBVX-11	BUR5EB-11
BZ8ES	BR8ES
C10H	R0161-10
C4HA	CR4HSA
C6M	C6HSA
C7EH-9	CR7EH-9
C7HVX	CR7HIX
C8HV	CR8HIX
C9H	C8HSA
CR8EHVX-9	CR8EHIX-9
CR9EHVX-9	CR9EHIX-9
CR9EVX	CR9EIX
D-4H	DR4HS
D6ES	D6EA
D6HV	D6HA
D7EVX	DR7EIX
D8HV	D8HA
DCP8E	DCPR8E
DCPR7E-N	DCPR7E-N-10
DCPR7EVX	DCPR7EIX
DCPR8EVX	DCPR8EIX
DCPR9EVX	DCPR9EIX
DIMR8B10	DIMR8A10





DP5EA-9	DPR5EA-9
DP7Z	DPR7Z
DPR7EVX-9	DPR7EIX-9
DPR8EVX-9	DPR8EIX-9
DPR9EVX-9	DPR9EIX-9
DR8EVX	DR8EIX
DR9EVX	DR9EIX
FR2A-D	FR2B-D
GR4VX	GR4
GR5VX	GR5IX
IFR7G-11K	IFR7G-11KS
IKR9F8	IKR9J8
ILKAR6C10	ILKAR7C10
ILZKBR7A-8G	ILZKBR7B8DG
ITR5F13	TR5AI-13
JR10A	JR10B
JR9A	JR9B
LKR9CI-8	ILKR9G8
PFR4P-11	PFR4G-11
PFR5B	PFR5B-9
PFR5G-15E	PFR5G-11E
PFR5P	BKR5EQUPA
PFR6C-11	PFR6G-11
PFR6K-11	PFR6A-11
PGR6B	PGR6A-11
PLZKBR7A-G	PLZKBR7B8DG
PZFR6B	IZFR6B
PZFR6D-11	PZFR6J-11
PZFR6R8EG	SIZFR6B8EG
PZKER7A8EGS	PZKER7B8EGS
R0045A-11	R0045Q-11
R0045J-10	R0045Q-10
R0161-9	CR9HIX
R016-8	CR8EIX
R017-8	R0373A-8
R017-9	R0373A-9
R0256K-11	R0373A-11
R0256R-10	R0373A-10
R217-11	R2525-10
R217-95	R2525-9
R2430-10	R2349-10
R2430-9	R2349-9
R2525-11	R2349-11
R2556B-10	R2556G-10
R2556B-9	R2556G-9
R2558A-10	R2558E-10
R2558A-8	R2558E-8
R2558A-9	R2558E-9
R4118M-10	R4118S-10
R4304A-9	BPR9EIX
R4339-9	B9EG
R4452D-105	B105EGP
R4452D-11	B11EGP
R4452D-8	BR8EIX
R4452D-85	B85EGP
R4452D-9	BR9EIX
R4452D-95	B95EGP
R4468A-11	R6725-11
R4468A-115	R6725-115
R5300A-9	R7282-9
R5525-7	BR7HIX
R5525-9	BR9HIX
R5530-10	BR10HIX



R5530-8	BR8HIX
R5540-10	R5540F-10
R5649-11	R6712-10
R5649-9	R6712-9
R5671-8	R5671A-8
R5671-9	R5671A-9
R5672-8	R5672A-8
R5672-9	R5672A-9
R5883-10	R6690-10
R6021E-9	R6918B-9
R6061-8	BR8ECMIX
R6120-10	R7282-10
R6120A-105	R7282A-105
R6120A-11	R7282A-11
R6120M-11	R7429A-10
R6254E-8	R6254E-9
R6385-11P	R7376-10
R6385-8P	R7376-8
R6385-9P	R7376-9
R6711-9	R6601-9
R7112-7	IRIWAY7
R7115-10	R7433-10
R7115-8	R7433-8
R7115-9	R7433-9
R7119-8	R7434-8
R7232-7	BCPR7EIX
R7234-8	R7436-8
R7235-10	R7435-10
R7235-8	R7435-8
R7235-9	R7435-9
R7238-10	R7436-10
R7238-9	R7436-9
R7279-10	R7434-10
R7279-9	R7434-9
R7282C-11	R7282-11
R7282M-105	R7282-105
R8108-95	R8108A-10
RE8A-L	RE8C-L
SR5	TR5-1
TR4-2	TR4
TR4VX	TR4IX
TR5-1VX	TR5-1IX
TR55-1VX	TR55-1IX
TR55VX	TR55IX
TR5A-10	TR5B-13
UR40	UR45
UR45VX	UR45IX
UR4VX	UR4IX
UR55VX	UR55IX
UR5VX	UR5IX
UR6VX	UR6IX
WR5VX	WR5IX
XR40	XR45
XR45VX	XR45IX
XR4VX	XR4IX
XR5VX	XR5IX
YR55VX	YR55IX
YR5VX	YR5IX
ZFR7A-11	ZFR7F-11
ZGR5E	BPR5EY
ZGR6A	BPR6EY



Disclaimer

EN

This catalogue supersedes all previous catalogues. NGK SPARK PLUG EUROPE GmbH has made its best effort to ensure an accurate information, based on information available at the time of the compilation of the catalogue.

This catalogue is made for information only. NGK SPARK PLUG EUROPE GmbH will not accept liability for any inaccuracy. Product linkage to vehicles or tools applications from this publication are considered under normal condition of use, fitted by a professional and for vehicles registered in Europe. For all different usage or post equipment, the responsibility of NGK SPARK PLUG EUROPE GmbH cannot be engaged. All ordered products are subject to valid terms and conditions supplied by NGK SPARK PLUG EUROPE GmbH.

The cross reference list (page 409-458) is furnished as a guide. Due to differences in design, materials, etc., products by various manufacturers may not match. See therefore our recommendation for the proper use of the acquired product.

Pictures, diagrams and drawings in this publication are not contractual. The property of the pictures, diagrams, drawings and other graphic elements and data belong to NGK SPARK PLUG EUROPE GmbH exclusively. Reproduction of this publication, partial or total, is strictly prohibited without a prior written authorization of NGK SPARK PLUG EUROPE GmbH.

Specification is subject to change without notice.

DE

Mit Veröffentlichung dieser Ausgabe verlieren alle vorhergehenden Ausgaben ihre Gültigkeit. Dieser Katalog wurde, basierend auf den zum Zeitpunkt der Erstellung des Katalogs verfügbaren Informationen, von der NGK SPARK PLUG EUROPE GmbH nach bestmöglichem Wissen erstellt.

Dieser Katalog dient ausschließlich zu Informationszwecken. Die NGK SPARK PLUG EUROPE GmbH übernimmt keine Haftung für Druckfehler, Irrtümer oder sonstige fehlerhafte Informationen. Alle in diesem Katalog erwähnten Produkt-Zuordnungen zu Fahrzeugen oder Werkzeugen gelten für einen Einsatz unter normalen Bedingungen, den Einbau durch einen Fachmann sowie Fahrzeuge, die innerhalb der EU zugelassen sind. Die NGK SPARK PLUG EUROPE GmbH kann nicht für andere Nutzungszwecke oder Nachrüstungen jedweder Art haftbar gemacht werden. Alle bestellten Produkte unterliegen den geltenden Geschäftsbedingungen der NGK SPARK PLUG EUROPE GmbH.

Die Referenzliste (Seite 409-458) dient nur zur Information. Bedingt durch Unterschiede hinsichtlich Konstruktion, Werkstoffen usw. können Produkte verschiedener Hersteller nicht zusammenpassen. Siehe daher unsere Empfehlung für die richtige Anwendung des erworbenen Produkts.

Die in diesem Katalog abgebildeten Bilder, Diagramme und Zeichnungen sind nicht Vertragsbestandteil. Alle

Bilder, Diagramme, Zeichnungen sowie andere graphische Elemente und Daten sind exklusives Eigentum der NGK SPARK PLUG EUROPE GmbH. Jedwede Vervielfältigung dieses Katalogs, auch auszugsweise, ohne vorherige schriftliche Genehmigung durch die NGK SPARK PLUG EUROPE GmbH ist strengstens untersagt.

Die Spezifikation kann ohne vorherige Ankündigung geändert werden.

FR

NGK SPARK PLUG EUROPE GmbH a réalisé tous les efforts nécessaires pour assurer l'exactitude des informations sur la base des informations disponibles au moment de la compilation du catalogue.

Ce catalogue a été élaboré à titre informatif uniquement. NGK SPARK PLUG EUROPE GmbH n'acceptera aucune responsabilité en cas d'inexactitude. Les liens de produits avec des véhicules ou des outils dans cette publication sont considérés dans des conditions normales d'utilisation, installés par un professionnel et pour les véhicules immatriculés en Europe. Pour toute utilisation différente ou équipement de conversion, la responsabilité de NGK SPARK PLUG EUROPE GmbH ne peut pas être engagée. Tous les produits commandés sont soumis à des termes et conditions valides fournis par NGK SPARK PLUG EUROPE GmbH. Les images, diagrammes et dessins de cette publication ne sont pas contractuels.

Ce tableau de comparaison (page 409-458) est donné à titre indicatif. De par leurs différences de conceptions, matériaux, etc., les pièces produites par les différents fabricants n'ont pas exactement les mêmes caractéristiques. Se reporter au tableau d'affectations NGK SPARK PLUG EUROPE GmbH pour déterminer la référence adaptée à l'application.

Les images, les diagrammes, les dessins et autres éléments graphiques et données appartiennent à NGK SPARK PLUG EUROPE GmbH exclusivement. La reproduction de cette publication, partielle ou totale, est strictement interdite sans autorisation écrite préalable de NGK SPARK PLUG EUROPE GmbH.

Les spécifications peuvent être sujettes à modifications sans avis préalable.

IT

Il presente catalogo sostituisce tutti i precedenti. NGK SPARK PLUG EUROPE GmbH ha posto la massima attenzione per offrire informazioni accurate, basate sui dati disponibili al momento della compilazione del catalogo. Il presente catalogo ha esclusivamente scopo informativo. NGK SPARK PLUG EUROPE GmbH non si assume nessuna responsabilità per eventuali imprecisioni. Si considera che i veicoli a cui si riferisce questa pubblicazione si trovino in condizioni di utilizzo normali, siano stati montati da un professionista e su veicoli immatricolati in Europa. Per qualsiasi utilizzo o per attrezzature montate successivamente, NGK SPARK PLUG EUROPE GmbH non si assume nessuna responsabilità.

Tutti i prodotti ordinati sono soggetti ai termini e alle condizioni forniti da NGK SPARK PLUG EUROPE GmbH. Le tabelle comparative (pag. 409-458) vengono fornite a scopo di guida. A causa della differenza nel design, materiale, ecc., le candele d'accensione prodotte da un altro costruttore potrebbero non corrispondere. Attenersi alle nostre raccomandazioni per il corretto utilizzo del prodotto. Le immagini, i grafici e i disegni presenti in questa pubblicazione non sono contrattuali. Le immagini, dei grafici, i disegni e gli altri elementi e dati sono di proprietà esclusiva di NGK SPARK PLUG EUROPE GmbH. La riproduzione della presente pubblicazione, parziale o totale, è strettamente proibita senza la preventiva autorizzazione scritta di NGK SPARK PLUG EUROPE GmbH. Le specifiche sono soggette a modifiche senza preavviso.

ES

Este catálogo reemplaza a todos los catálogos anteriores. NGK SPARK PLUG EUROPE GmbH ha hecho todo lo posible para garantizar que la información sea correcta, basándose en la información disponible en el momento de la redacción del catálogo.

Este catálogo se ha hecho con propósitos meramente informativos. NGK SPARK PLUG EUROPE GmbH no acepta ninguna responsabilidad por los posibles errores. Se considera que la utilización de los productos en vehículos o aplicaciones de herramientas de esta publicación se realiza en condiciones de uso normales, montados por un profesional y en vehículos matriculados en Europa. Para todos los otros usos o equipamiento a posteriori, NGK SPARK PLUG EUROPE GmbH no puede considerarse responsable. Todos los productos pedidos están sujetos a los términos y condiciones válidos de NGK SPARK PLUG EUROPE GmbH. Las imágenes, los diagramas y los dibujos de esta publicación no tienen valor contractual.

La lista de referencias cruzadas (páginas 409-458) le servirá como guía. Debido a la diferencia en el diseño, materiales, etc., las bobinas producidas por otro fabricante pueden no coincidir. Siga nuestras recomendaciones para el uso adecuado del producto.

Las imágenes, los diagramas, los dibujos, los otros elementos gráficos y los datos son propiedad exclusiva de NGK SPARK PLUG EUROPE GmbH. La reproducción total o parcial de esta publicación está estrictamente prohibida sin una autorización previa por escrito de NGK SPARK PLUG EUROPE GmbH.

Las especificaciones están sujetas a cambios sin previo aviso.

NL

Deze catalogus vervangt alle eerdere catalogi. NGK SPARK PLUG EUROPE GmbH heeft alles in het werk gesteld om voor nauwkeurige informatie te zorgen, op basis van de informatie die voorhanden was op het moment dat de catalogus werd samengesteld.

Deze catalogus dient slechts ter informatie. NGK SPARK PLUG EUROPE GmbH aanvaardt geen aansprakelijkheid voor eventuele onnauwkeurigheden. Producten die in verband

worden gebracht met voertuigen of gereedschaptoepassingen van deze publicatie worden beschouwd onder normale gebruiksomstandigheden, geïnstalleerd door een professional en voor voertuigen die in Europa zijn geregistreerd. Voor alle andere gebruik of retrofitting aanvaardt NGK SPARK PLUG EUROPE GmbH geen aansprakelijkheid. Alle bestelde producten vallen onder de geldige algemene voorwaarden van NGK SPARK PLUG EUROPE GmbH.

De lijst met kruisverwijzingen (pagina 409-458) dient als leidraad. Door verschillen in ontwerp, materialen, enz. kunnen producten die door verschillende fabrikanten zijn vervaardigd afwijken. Zie ook onze aanbeveling voor het juiste gebruik van het product dat u gekocht heeft.

Afbeeldingen, schema's en tekeningen in deze publicatie zijn niet bindend. Afbeeldingen, schema's, tekeningen en andere grafische elementen en gegevens zijn exclusief eigendom van NGK SPARK PLUG EUROPE GmbH. Gedeeltelijke of volledige reproductie van deze publicatie is ten strengste verboden zonder schriftelijke toestemming vooraf van NGK SPARK PLUG EUROPE GmbH.

Specificaties kunnen zonder voorafgaande kennisgeving worden gewijzigd.

PT

Este catálogo substitui todos os catálogos anteriores. NGK SPARK PLUG EUROPE GmbH emvidou os seus melhores esforços para assegurar uma informação precisa, com base nas informações disponíveis no momento da compilação do catálogo. Este catálogo é elaborado apenas para efeitos informativos. NGK SPARK PLUG EUROPE GmbH não aceita qualquer responsabilidade por qualquer imprecisão. A ligação do produto a aplicações de veículos ou ferramentas desta publicação é considerada sob condições normais de uso, montado por um profissional e para veículos matriculados na Europa. Para todos os usos diferentes ou pós-equipamento, a responsabilidade de NGK SPARK PLUG EUROPE GmbH não pode se comprometer. Todos os produtos encomendados estão sujeitos a termos e condições válidos fornecidos pela NGK SPARK PLUG EUROPE GmbH. Esta lista de referência cruzada (página 409-458) é fornecida como guia. Devido a diferenças em termos de design, materiais, etc., os produtos dos vários fabricantes poderão não corresponder. Consequentemente, consulte a nossa recomendação quanto à utilização adequada do produto adquirido. As fotos, diagramas e desenhos nesta publicação não são contratuais. A propriedade das fotos, diagramas, desenhos e outros elementos gráficos e dados pertencem exclusivamente a NGK SPARK PLUG EUROPE GmbH. A reprodução desta publicação, parcial ou integral, é estritamente proibida sem uma autorização prévia por escrito da NGK SPARK PLUG EUROPE GmbH.

As especificações estão sujeitas a alterações sem aviso prévio.



GR

Αυτός ο κατάλογος αντικαθιστά όλους τους προηγούμενους καταλόγους. Η NGK SPARK PLUG EUROPE GmbH έχει κάνει κάθε δυνατή προσπάθεια για να εξασφαλιζέται η ακριβής πληροφόρηση, βάσει των διαθέσιμων πληροφοριών κατά το χρόνο της κατάρτισης του καταλόγου. Αυτός ο κατάλογος έχει στόχο μόνο την πληροφόρηση. Η NGK SPARK PLUG EUROPE GmbH δεν αναλαμβάνει καμία ευθύνη για οποιαδήποτε ανακρίβεια. Η σύνδεση του προϊόντος σε οχήματα ή εφαρμογές εργαλείων του παρόντος καταλόγου θεωρείται ότι γίνονται υπό κανονικές συνθήκες χρήσης, με εγκατάσταση από επαγγελματίες και για τα οχήματα που έχουν ταξινομηθεί στην Ευρώπη. Για όλες τις άλλες περιπτώσεις διαφορετικής χρήσης ή προσθήκης εξοπλισμού, δεν φέρει ευθύνη η NGK SPARK PLUG EUROPE GmbH. Όλα τα παραγγελλθέντα προϊόντα υπόκεινται σε έγκυρους όρους και προϋποθέσεις που παρέχονται από την NGK SPARK PLUG EUROPE GmbH.

Αυτή η λίστα παραπομπών (σελ. 409-458) παρέχεται ως οδηγός. Λόγω των διαφορών στη σχεδίαση, στα υλικά κ.λπ., τα προϊόντα από διάφορους κατασκευαστές ενδέχεται να παρουσιάζουν ασυμφωνίες. Συνεπώς, ανατρέξτε στις συστάσεις μας για την ενδεδειγμένη χρήση του προϊόντος που έχετε αποκτήσει.

Εικόνες, διαγράμματα και σχέδια σε αυτήν την έκδοση δεν αποτελούν μέρος σύμβασης. Οι εικόνες, διαγράμματα, σχέδια και άλλα γραφικά στοιχεία και δεδομένα αποτελούν αποκλειστική ιδιοκτησία της NGK SPARK PLUG EUROPE GmbH. Απαγορεύεται αυστηρά η ολική ή μερική αναπαραγωγή της δημοσίευσης χωρίς την προηγούμενη γραπτή άδεια της NGK SPARK PLUG EUROPE GmbH. Η προδιαγραφή μπορεί να αλλάξει χωρίς προειδοποίηση.

TR

Bu katalog önceki tüm katalogların yerini alır. NGK SPARK PLUG EUROPE GmbH, bu katalogun hazırlanma aşamasında mevcut olan bilgilere dayanarak doğru bilgiler vermek için elinden geleni yapmıştır. Bu katalog yalnızca bilgi amaçlı hazırlanmıştır. NGK SPARK PLUG EUROPE GmbH, herhangi bir hata için sorumluluk kabul etmez. Bu yayındaki taşıt ve araç uygulamalarına atıfta bulunan ürün bağlantıları verilirken normal kullanım koşulları, bir uzmanca takılmış olması göz önünde bulundurulmuştur ve Avrupa'da tescillenmiş taşıtlar içindir. Farklı herhangi bir kullanım veya sonradan takılan ekipmanlar için NGK SPARK PLUG EUROPE GmbH sorumlu tutulamaz. Sipariş edilen tüm ürünler, NGK SPARK PLUG EUROPE GmbH tarafından sağlanan geçerli şartlara ve koşullara tabidir. Çapraz referans listesi (sayfa 409-458) bir kılavuz olarak verilmiştir. Not: Bu tablo referans amaçlıdır. Tasarım, malzeme ve benzeri şeylerdeki farklılıklar sebebiyle, farklı üreticilerin ürünleri eşleşmeyebilir. Bu yüzden alınan ürünün uygun kullanımı ile ilgili tavsiyelerimize bakın. Bu yayındaki resimler, şemalar ve çizimler taahhüt değildir. Resimlerin, çizimlerin ve diğer grafik öğelerin mülkiyeti yalnızca NGK SPARK PLUG EUROPE GmbH'ye aittir. Bu yayının NGK SPARK PLUG EUROPE GmbH'den önceden yazılı izin

almadan kısmi veya tam olarak yeniden çoğaltılması kesinlikle yasaktır.

Ürün özellikleri önceden bildirilmeksizin değiştirilebilir.

PL

Niniejszy katalog zastępuje wszystkie poprzednie katalogi. Firma NGK SPARK PLUG EUROPE GmbH dołożyła najlepszych starań, aby upewnić się, że katalog zawiera precyzyjne informacje opierające się na danych dostępnych w czasie opracowania katalogu. Niniejszy katalog ma charakter wyłącznie informacyjny. Firma NGK SPARK PLUG EUROPE GmbH nie ponosi żadnej odpowiedzialności za jakiegokolwiek nieprecyzyjne dane. Przystosowanie produktów do pojazdów lub narzędzi wymienionych w niniejszej publikacji zakłada normalne warunki stosowania, montaż przez profesjonalistów oraz pojazdy zarejestrowane w Europie. Firma NGK SPARK PLUG EUROPE GmbH nie ponosi żadnej odpowiedzialności za jakiegokolwiek przypadki innych zastosowań lub stosowanie w sprzęcie innego rodzaju. Wszystkie zamówione produkty podlegają odpowiednim warunkom i postanowieniom określonym przez firmę NGK SPARK PLUG EUROPE GmbH.

Załączona lista porównawcza (strony 409-458) powinna być traktowana jedynie jako wskazówka. Ze względu na różnice w kształcie, zastosowanych materiałach itp., produkty poszczególnych producentów mogą się różnić między sobą. Z powyższych powodów prosimy stosować się do zaleceń dotyczących użytkowania produktu. Ilustracje, schematy i rysunki zawarte w niniejszej publikacji nie mają mocy umownej. Ilustracje, schematy, rysunki i inne elementy graficzne oraz dane należą wyłącznie do firmy NGK SPARK PLUG EUROPE GmbH. Reprodukacja niniejszej publikacji w części lub w całości jest surowo zabroniona bez uzyskania wcześniejszego pisemnego upoważnienia ze strony firmy NGK SPARK PLUG EUROPE GmbH.

Specyfikacja może ulec zmianie bez powiadomienia.

CZ

Tento katalog nahrazuje všechny předchozí katalogy. NGK SPARK PLUG EUROPE GmbH vyvinul co největší úsilí, aby poskytl nejpřesnější informace, založených na informacích dostupných v okamžiku sestavení katalogu.

Tento katalog je jen pro informační účely. NGK SPARK PLUG EUROPE GmbH nepřebírá žádnou zodpovědnost na případné nepřesnosti. Propojení jednotlivých produktů s vozidly nebo použitím s nářadím z této publikace se počítají za normálních podmínek užívání, nastavených odborníky pro vozidla registrovaná v Evropě. NGK SPARK PLUG EUROPE GmbH se nezavazuje k odpovědnosti za jiné užití nebo pro následné vybavení. Všechny objednaných výrobků se týkají platné podmínky a dohody dodávek NGK SPARK PLUG EUROPE GmbH.

Seznam křížových odkazů (strana 409-458) je dodán jako průvodce. Vzhledem k rozdílům v designu, materiálech atd. se produkty od různých výrobců nemusejí shodovat. Proto

se podívejte na naše doporučení ohledně řádného použití zakoupeného produktu.

Obrázky, diagramy a kresby v této publikaci nejsou závazné. Vlastnictví obrázků, diagramů, kreseb a dalších grafických prvků a dat jsou výhradním majetkem NGK SPARK PLUG EUROPE GmbH. Jakákoliv reprodukce této publikace, ať částečně nebo v celku je přísně zakázána bez písemné autorizace NGK SPARK PLUG EUROPE GmbH.

Specifikace se může změnit bez předchozího upozornění.

HU

Ez a katalógus hatályon kívül helyez minden korábbi katalógust. NGK SPARK PLUG EUROPE GmbH mindent megtett annak érdekében, hogy a katalógus összeállításakor rendelkezésre álló információkon alapuló pontos tájékoztatást biztosítson.

Ez a katalógus csak tájékoztató jellegű. NGK SPARK PLUG EUROPE GmbH nem vállal felelősséget az esetleges pontatlanságokért. A jelen katalógusban szereplő járműhöz kapcsolódó elemek, vagy alkalmazási eszközök használata szokásos alkalmazási feltételek mellett értendő, és azokat szakembernek kell az Európában bejegyzett járművekbe szerelnie. Minden ettől eltérő használatért, vagy utólagos beszerelésért az NGK SPARK PLUG EUROPE GmbH semmiféle felelősséget nem vállal. Valamennyi megrendelt termékre az NGK SPARK PLUG EUROPE GmbH által meghatározott feltételek vonatkoznak. A kiadványban szereplő ábrák, diagramok és rajzok nem szerződéses jellegűek. A kereszthivatkozás lista (409-458 oldal) csak útmutatóként szolgál. A különböző gyártók által gyártott termékek tervezésében, az anyagaiban, stb. eltérések lehetnek. Ezért vegye figyelembe ajánlásainkat a megvásárolt termék a helyes használatához.

A kiadványban szereplő ábrák, diagramok, rajzok és egyéb grafikus elemek és adatok kizárólag az NGK SPARK PLUG EUROPE GmbH tulajdonát képezik. A kiadvány részleges vagy teljes reprodukciója kizárólag az NGK SPARK PLUG EUROPE GmbH előzetes és írásos engedélyezésével történhet.

A specifikáció előzetes értesítés nélkül megváltozhat.

RU

Данный каталог заменяет все ранее изданные каталоги. Компания NGK SPARK PLUG EUROPE GmbH предприняла все возможные усилия, чтобы обеспечить точность данных, подготовленных на основе доступной на момент составления каталога информации.

Данный каталог предназначен только для информационных целей. NGK SPARK PLUG EUROPE GmbH не несет ответственность за какие-либо неточности. Примеры установки продуктов в транспортные средства или использования инструментов в данном издании рассматриваются для случаев нормального режима эксплуатации, профессионального монтажа и транспортных средств, зарегистрированных в Европе. При любых других условиях ответственность за последствия использования оборудования NGK SPARK

PLUG EUROPE GmbH не несет. На все заказанные продукты распространяются действующие условия и положения NGK SPARK PLUG EUROPE GmbH. других производителей (стр. 409-458) предоставлен в качестве справочного материала. Продукты разных производителей могут не соответствовать друг другу вследствие отличий в конструкции, материалах и т. п. Просим вас руководствоваться нашими рекомендациями по надлежащему использованию приобретенного продукта.

Изображения, графики и рисунки в данном издании не являются договорными. Права на изображения, графики, рисунки и прочие графические элементы и данные принадлежат исключительно NGK Spark Plug Europe GmbH. Воспроизведение данного издания, частично или полностью, строго запрещается без предварительного письменного разрешения NGK Spark Plug Europe GmbH. Спецификация может быть изменена без предварительного уведомления.



PRODUCT PORTFOLIO



IGNITION PARTS

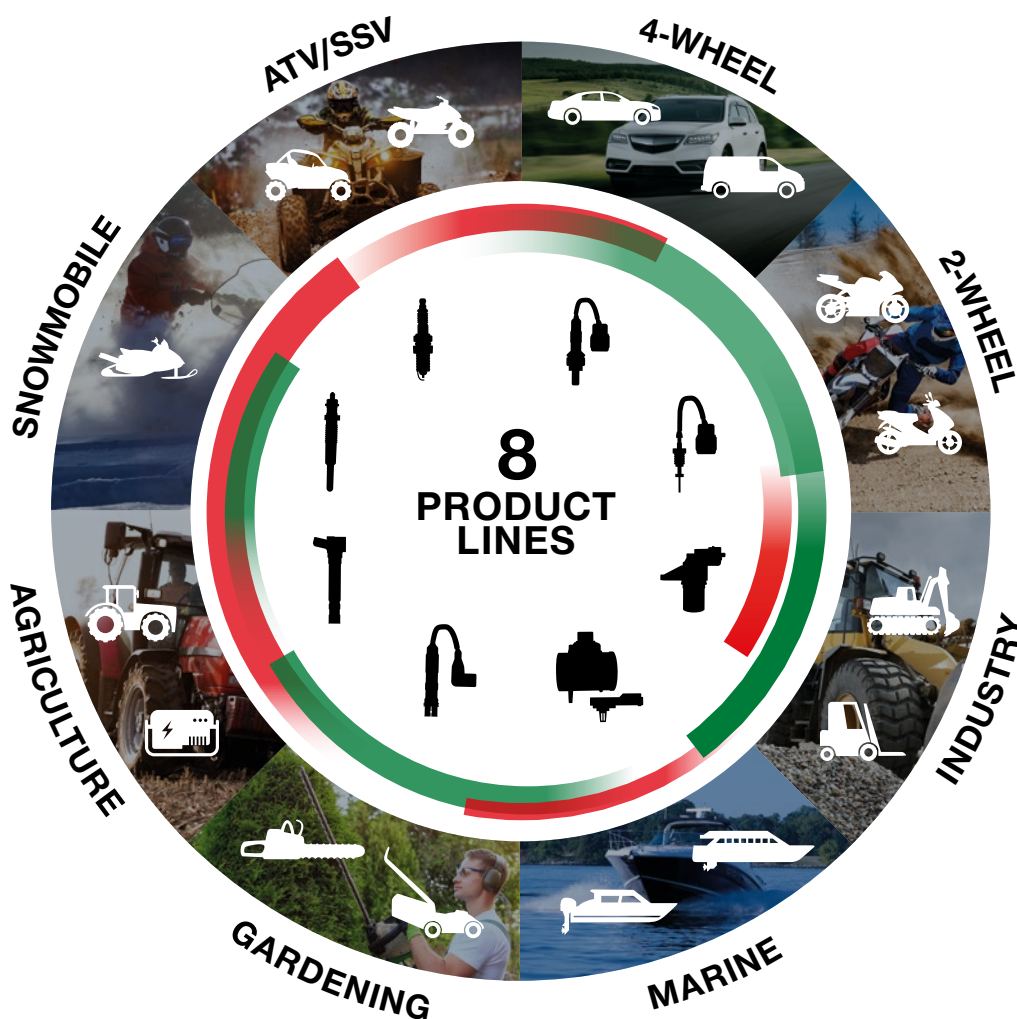


VEHICLE ELECTRONICS

NGK SPARK PLUG offers a comprehensive range of products for the Aftermarket. Eight business areas (4-wheel, 2-wheel, industry, marine, gardening, agriculture, snowmobile and ATV/SSV) are supplied with more than 60,000 applications covering eight product lines.

With its two strong brands NGK and NTK and countless products to choose from, NGK SPARK PLUG is the world's largest supplier of spark plugs and oxygen sensors. While NGK Ignition Parts stands for the ultimate in performance – from spark plugs and glow plugs to ignition coils and ignition leads –, NTK Vehicle Electronics, the precision brand, offers vehicle electronics and great business opportunities.

All we do, innovate and produce, perfectly reflects our ultimate aim: Performance through Precision, Precision for Performance.



NGK – POWERED BY PERFORMANCE



Spark Plugs



Glow Plugs



Ignition Coils



Ignition Leads

NTK – POWERED BY PRECISION



Oxygen Sensors



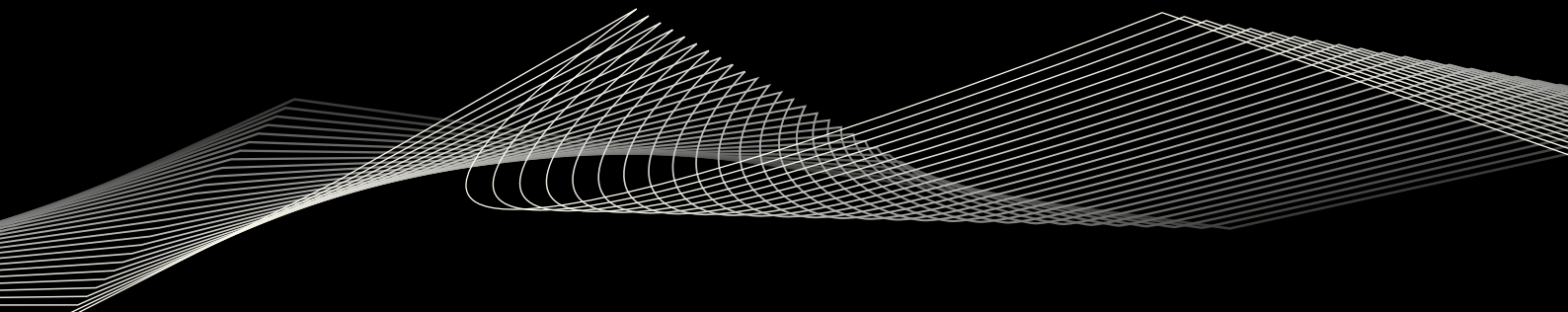
Temperature Sensors



MAP/MAF Sensors



Engine Speed & Position Sensors



NGK SPARK PLUG EUROPE GmbH
Harkortstraße 41 • D-40880 Ratingen
Tel.: +49 (0) 2102 974-000 • Fax.: +49 (0) 2102 974-149



www.ngkntk.com

NGK | NTK
SPARK PLUGS TECHNICAL CERAMICS
NGK SPARK PLUG CO., LTD.

EMEA // EUROPE-MIDDLE EAST-AFRICA

 **HOCOPARTS**
PREMIUM MOTORCYCLE PRODUCTS